

220 AC

2015

Spare parts

Ersatzteile

Pièces détachées

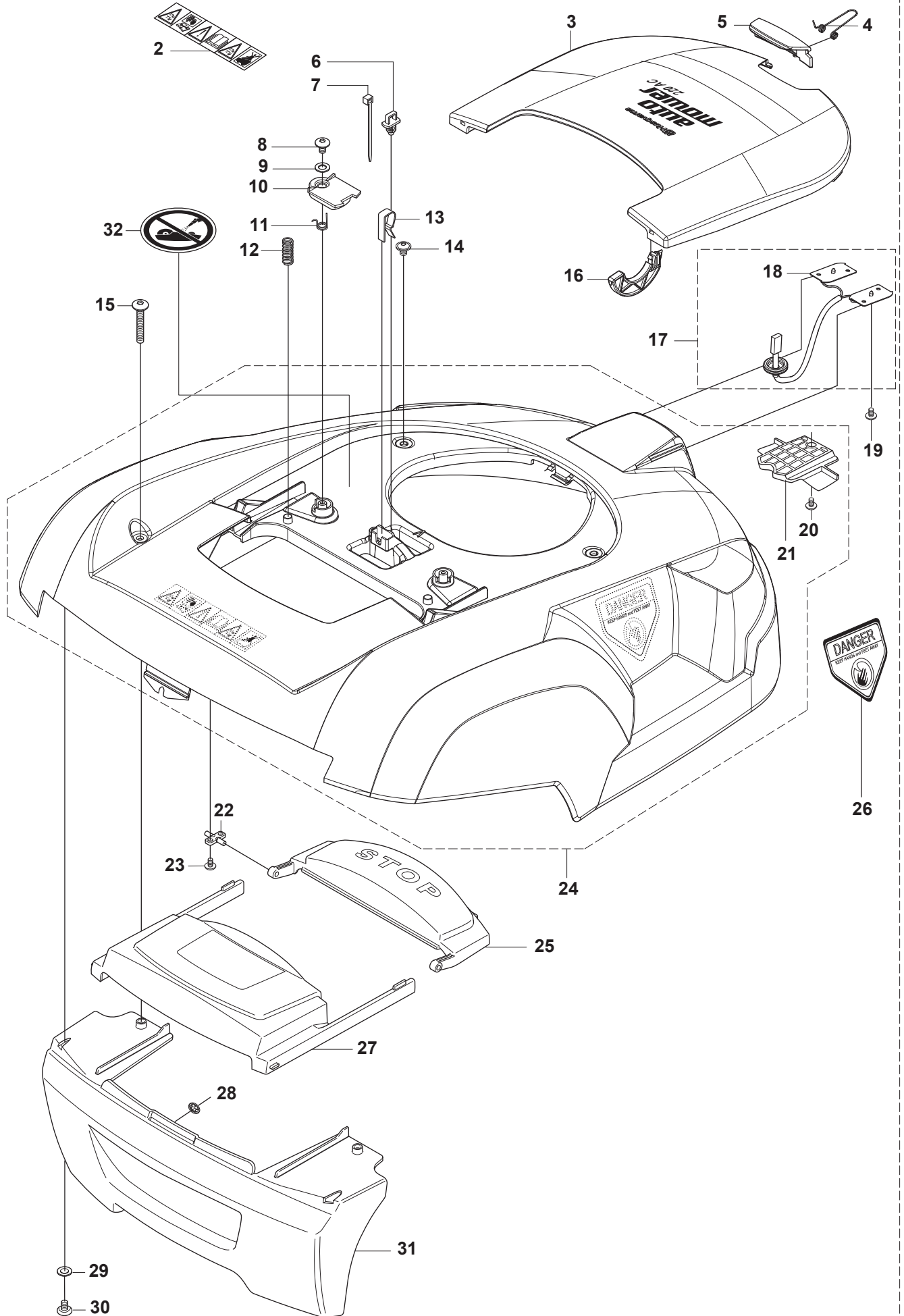
Reserve onderdelen

Repuestos

Reservdelar

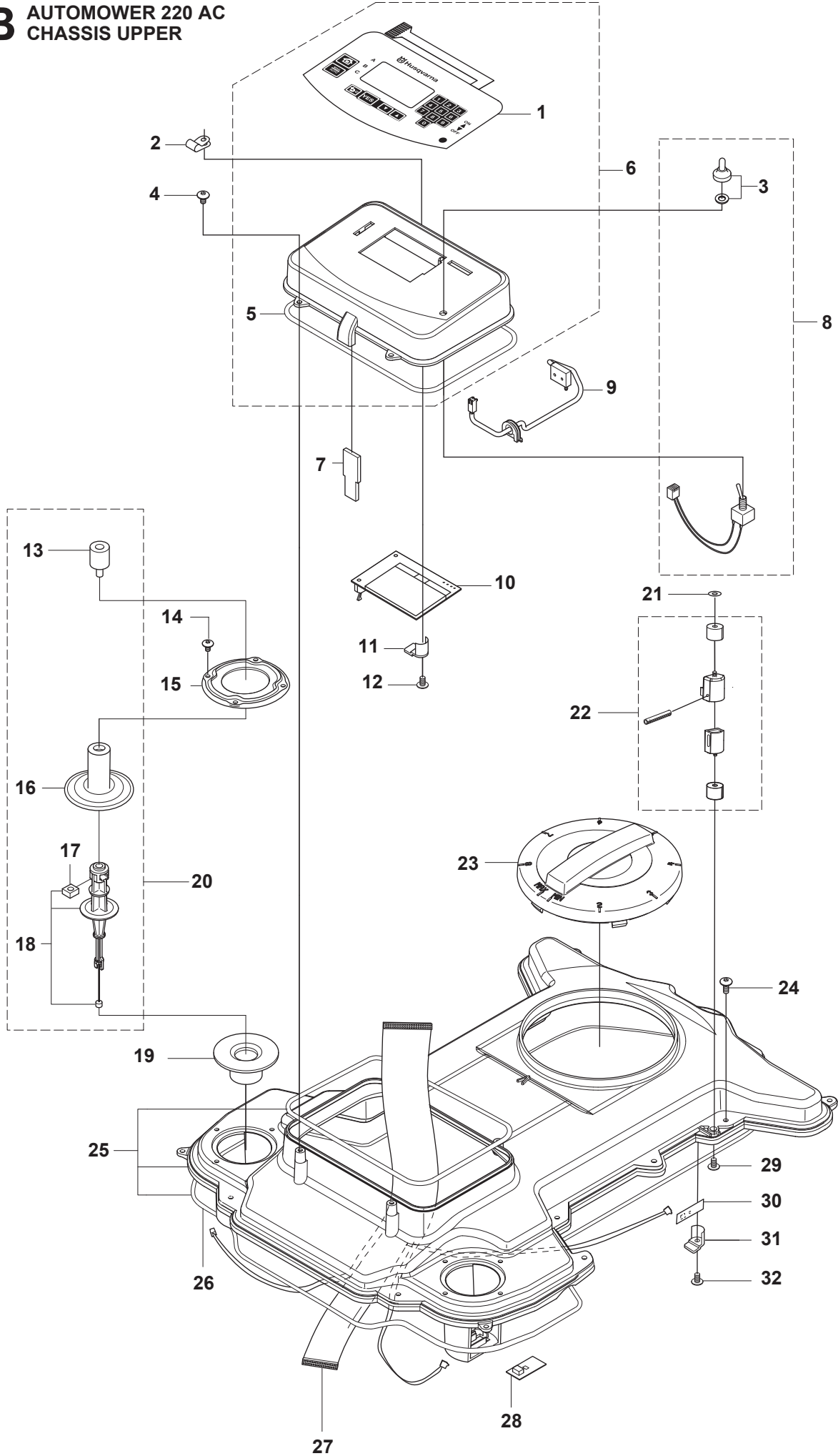
A AUTOMOWER 220 AC COVER

1



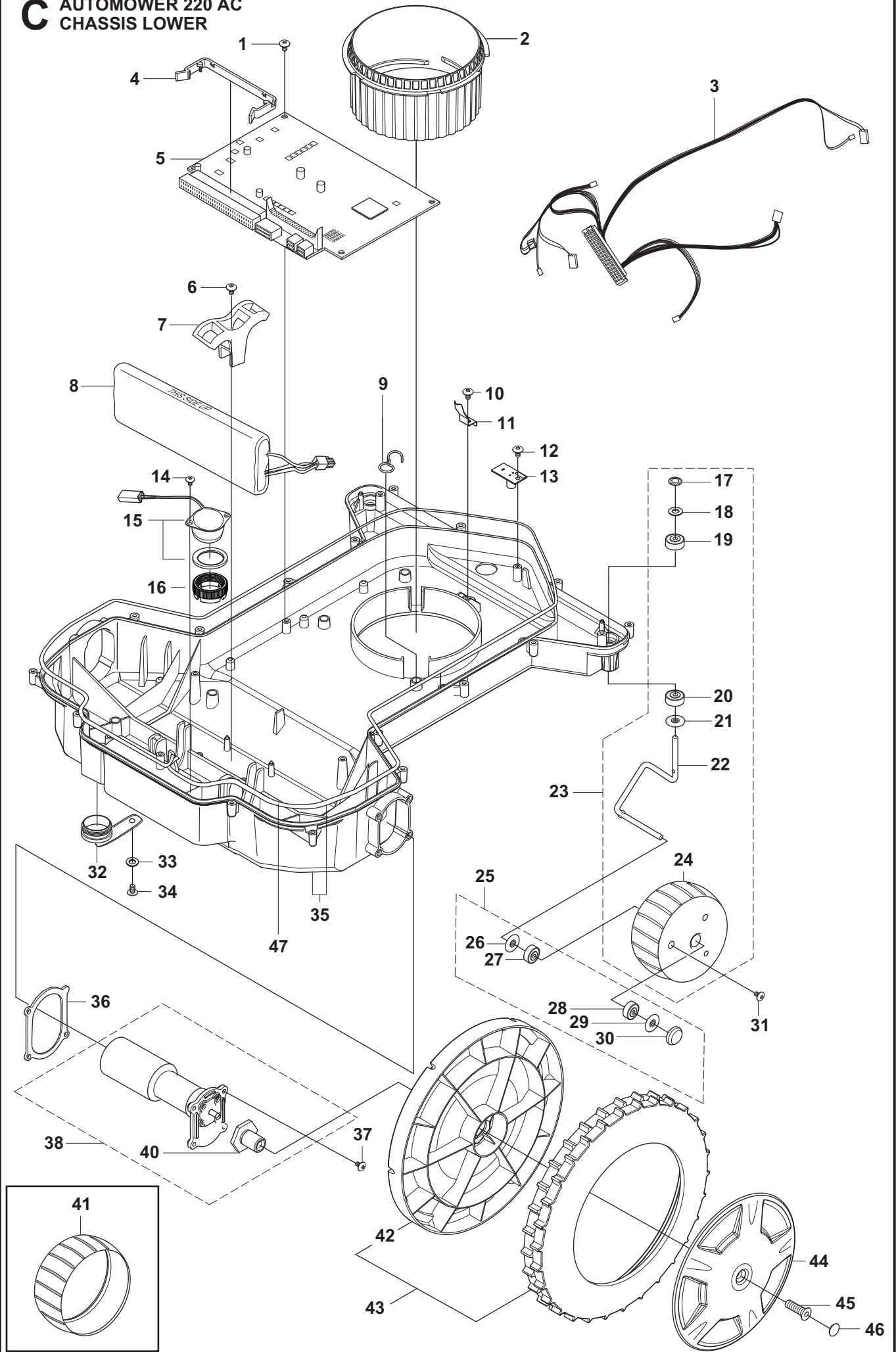
Page A AUTOMOWER 220 AC COVER				
Position	Article	Quantity	Notes	Kit
1	575 61 88-01	1	COVER, complete kit	
2	522 79 27-01	1	LABEL WARNING	
3	544 91 80-02	1	COVER	
4	535 13 57-01	1	TORSION SPRING	
5	535 13 49-02	1	LOCK	
6	535 13 04-01	1	ANCHOR	
7	900 23 87-08	1	TIE WRAP	
8	575 54 33-10	2	SCREW	
9	734 11 37-41	2	WASHER	
10	535 12 68-01	2	LOCK CLAMP	
11	535 13 02-01	2	TORSION SPRING	
12	535 13 01-01	2	SPRING	
13	535 08 98-01	1	CLIPS	
14	535 07 60-02	2	SCREW	
15	535 12 93-05	2	SCREW IHPANM	
16	535 13 53-01	2	PIVOT	
17	535 13 73-01	1	WIRING compl	
18	535 13 59-01	2	CHARGING PLATE	17
19	575 54 33-06	2	SCREW	
20	575 54 33-12	1	SCREW	26
21	505 13 14-01	1	SPACER	26
22	535 12 78-01	2	SHAFT	
23	575 54 33-10	4	SCREW	
24	510 09 67-01	1	BODY compl	
25	535 12 67-02	1	SWITCH	
26	513 99 61-00	1	DECAL US/AU/NZ	
27	535 12 66-02	1	HATCH	
28	735 58 52-09	1	WASHER	
29	734 11 37-41	2	WASHER	
30	575 54 33-14	2	SCREW	
31	574 43 09-01	1	BUMPER	
32	586 29 10-01	1	WARNING LABEL "Do not wash" (10 pcs)	

B AUTOMOWER 220 AC
CHASSIS UPPER



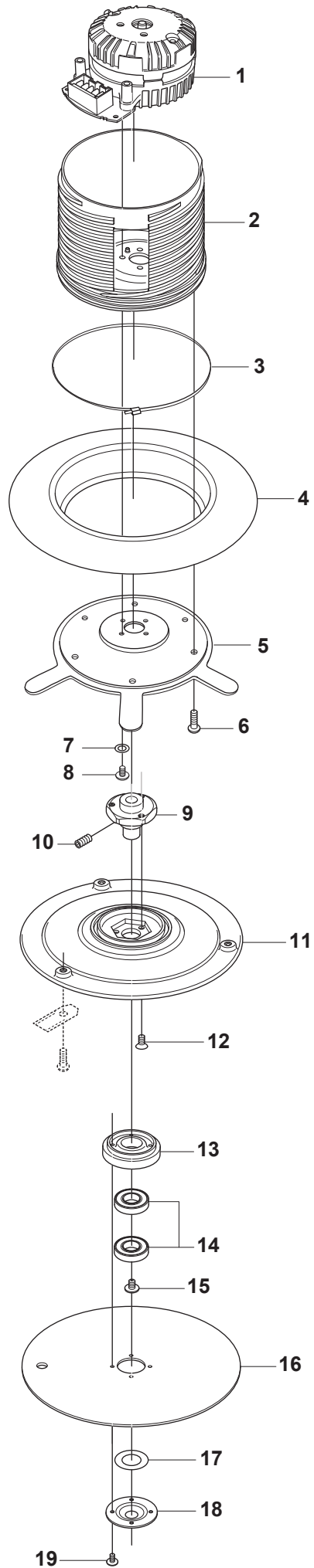
Page B AUTOMOWER 220 AC CHASSIS UPPER				
Position	Article	Quantity	Notes	Kit
1	544 90 01-01	1	KEYBOARD	6
2	577 52 72-01	1	CABLE CLAMP	
3	535 10 17-01	1	CAP	8
4	574 45 01-01	4	SCREW ITXPANT	
5	575 98 63-01	1	SEALING STRIP (10 pcs, Ø4mm)	6
5	574 87 47-02	1	SEALING STRIP (Ø4mm)	
6	575 94 42-01	1	DISPLAY COVER compl	
7	535 14 47-01	1	FILTER	
8	535 12 39-01	1	MAIN SWITCH compl	
9	577 59 23-01	1	SWITCH KIT	
10	540 06 03-01	1	DISPLAY	
11	535 12 79-01	1	BRACKET	
12	575 54 33-14	1	SCREW	
13	577 67 06-01	2	RUBBER DAMPER	20
14	575 54 33-14	8	SCREW	
15	505 17 43-01	2	RING FASTENER	
16	577 52 58-01	2	RUBBER GAITERS	20
17	503 22 66-01	2	SQUARE NUT	20
18	579 24 88-01	2	COLUMN	20
19	535 14 32-01	2	DEFLECTION LIMITER	
20	577 59 84-03	2	COLUMN compl	
21	510 74 70-00	1	LOCKWASHER	
22	544 14 15-01	1	SENSOR	
23	535 12 22-01	1	HEIGHT ADJUSTMENT WHEEL	
24	574 45 01-01	16	SCREW ITXPANT	
25	575 94 38-01	1	CHASSIS	
26	575 98 62-01	1	SEALING STRIP (10 pcs, Ø4mm)	
26	574 87 47-01	1	SEALING STRIP (Ø4mm)	
27	544 12 69-01	1	WIRING	
28	578 78 90-01	2	PRINTED CIRCUIT ASSY	
29	535 07 60-02	2	SCREW	
30	578 78 90-01	1	PRINTED CIRCUIT ASSY	
31	535 12 79-01	1	BRACKET	
32	575 54 33-14	1	SCREW	

C AUTOMOWER 220 AC CHASSIS LOWER



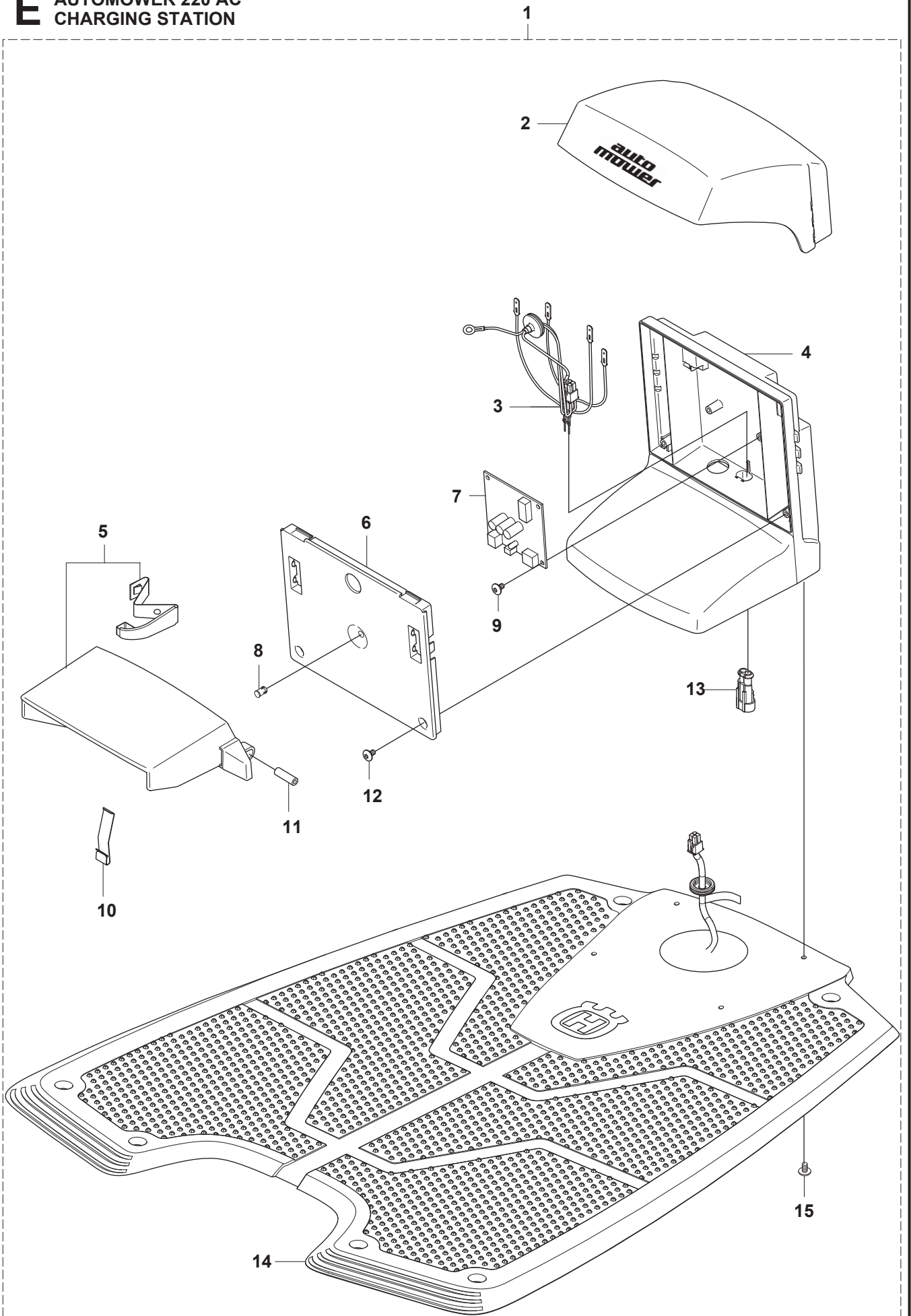
Page C		AUTOMOWER 220 AC		CHASSIS LOWER	
Position	Article	Quantity	Notes	Kit	
1	575 54 33-10	4	SCREW		
2	535 12 21-02	1	NUT		
3	501 00 37-03	1	MAIN WIRING , Linix		
4	578 05 61-01	1	CLIP		
4	578 05 61-02	50	CLIP		
5	578 78 60-01	1	PRINTED CIRCUIT ASSY		
6	575 54 33-14	2	SCREW		
7	544 90 78-01	2	BRACKET		
8	535 12 09-01	1	BATTERY		
9	535 13 96-01	1	CABLE HOLDER		
10	535 13 03-14	1	SCREW ITXPANT		
11	535 12 24-02	1	LOCKING SPRING		
12	575 54 33-10	2	SCREW		
13	578 78 88-01	2	PRINTED CIRCUIT ASSY		
14	502 85 96-01	2	SCREW		
15	501 00 42-01	1	BUZZER		
16	579 52 12-01	1	NUT		
17	735 58 41-09	2	WASHER	23	
18	734 11 52-09	2	WASHER	23	
19	522 50 50-01	2	BALL BEARING	23	
20	522 50 50-01	2	BALL BEARING	23	
21	535 08 78-02	2	WASHER	23	
22	522 50 48-01	2	SPINDLE	23	
23	522 66 45-02	1	KIT compl		
24	575 23 17-01	2	WHEEL ASSY	23	
25	523 34 37-01	1	BEARING KIT compl	23	
26	535 08 78-02	2	WASHER	23,25	
27	522 50 50-01	2	BALL BEARING	23,25	
28	522 50 50-01	2	BALL BEARING	23,25	
29	535 08 78-02	2	WASHER	23,25	
30	521 93 31-01	2	COVER WASHER	23,25	
31	575 50 76-01	6	SCREW ITXPANT		
32	574 42 74-02	1	PLUG		
33	734 11 37-41	1	WASHER		
34	575 54 33-14	1	SCREW		
35	575 94 39-01	1	CHASSIS		
36	535 13 92-04	2	GASKET		
37	575 54 33-16	8	SCREW		
38	587 14 99-01	2	DRIVE MOTOR compl		
40	544 90 68-02	1	HUB	38	
41	574 44 98-01	2	WHEEL		
42	535 13 50-02	2	WHEEL	43	
43	535 13 60-03	2	GEAR WHEEL compl		
44	544 90 52-03	2	HUB CAP		
45	535 13 94-01	2	SCREW IHCSFM		
46	504 20 08-01	2	COVER WASHER		
47	575 98 62-01	1	SEALING STRIP (10 pcs, Ø4mm)		
47	574 87 47-01	1	SEALING STRIP (Ø4mm)		

D AUTOMOWER 220 AC
BLADE MOTOR
& CUTTING EQUIPMENT



Page D AUTOMOWER 220 AC BLADE MOTOR & CUTTING EQUIPMENT				
Position	Article	Quantity	Notes	Kit
1	535 12 36-01	1	CUTTING MOTOR	
2	510 14 41-01	1	MOTOR BOWL	
3	525 25 14-01	1	TIE WRAP	
4	535 12 23-01	1	RUBBER GAITERS	
5	522 77 15-02	1	PLATE	
6	575 54 33-14	6	SCREW	
7	734 11 37-41	4	WASHER	
8	502 23 91-01	4	SCREW	
9	535 07 55-01	1	HUB	
10	728 82 85-01	1	SCREW IHSETM	
11	535 12 63-01	1	BLADE DISK	
12	535 13 05-01	3	SCREW	
13	535 12 64-01	1	BEARING BOX	
14	535 07 57-03	1	BALL BEARING	
15	535 07 60-01	1	SCREW	
16	535 07 59-01	1	SKID PLATE	
17	535 08 25-01	1	GASKET	
18	535 08 15-01	1	COVER WASHER	
19	575 54 33-10	4	SCREW	

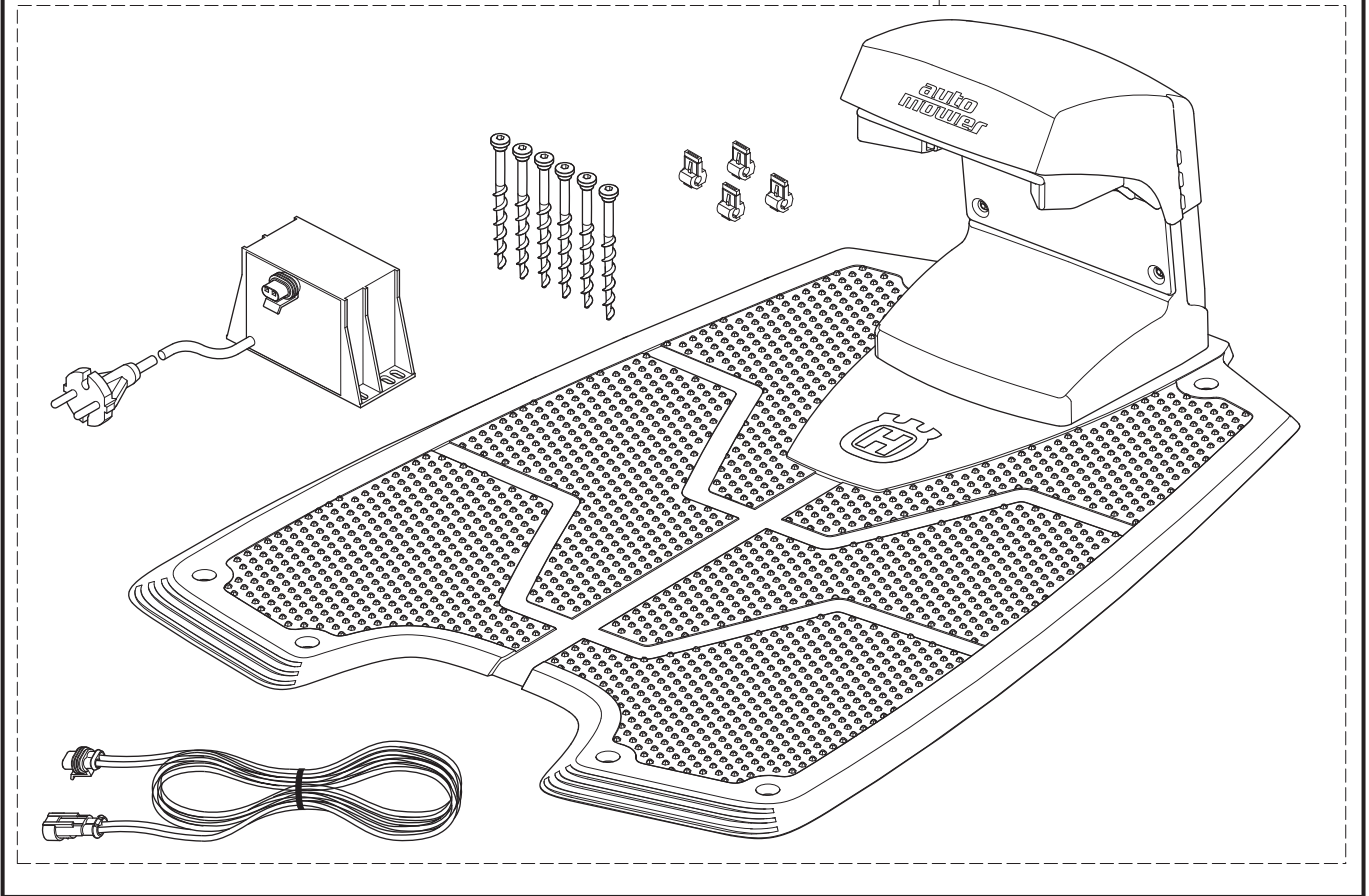
E AUTOMOWER 220 AC CHARGING STATION



Position	Article	Quantity	Notes	Kit
1	574 90 20-01	1	CHARGING STATION	
1	574 90 20-04	1	CHARGING STATION (CH)	
2	535 12 47-02	1	COVER	
3	544 98 38-06	1	WIRING ASSY	
4	574 82 75-01	1	BODY	
5	510 05 97-02	1	KIT, Charging Plate	
6	535 12 44-01	1	CAP	
7	578 78 84-01	1	PRINTED CIRCUIT ASSY	
7	584 82 20-01	1	PRINTED CIRCUIT ASSY (CH)	
8	535 12 87-02	1	DIODE LENS	
9	575 54 33-10	2	SCREW	
10	535 12 86-01	2	SPRING PLATE	
11	535 12 50-01	2	PIN	
12	575 54 33-14	2	SCREW	
13	535 12 85-01	1	CONTACT HOUSING	
14	575 23 16-02	1	ANTENNA PLATE	
15	575 54 33-14	4	SCREW	

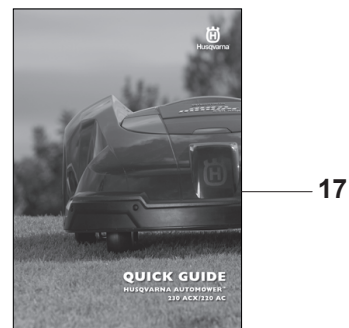
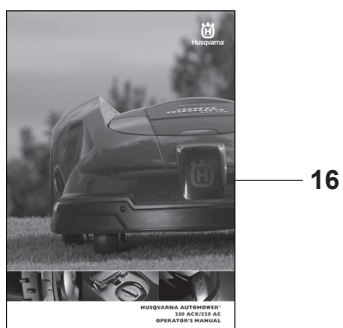
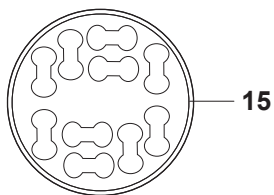
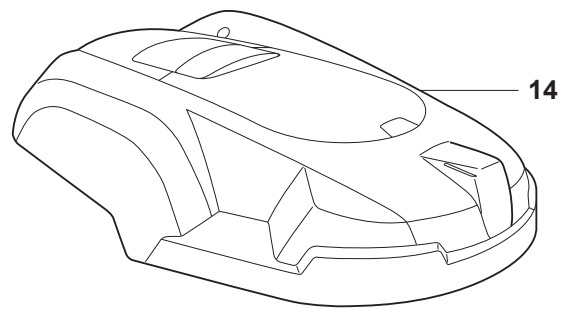
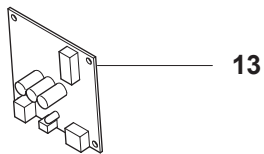
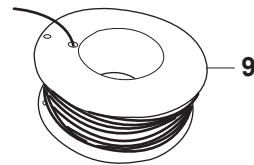
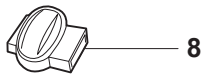
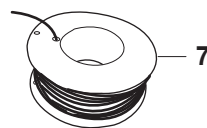
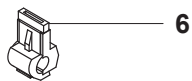
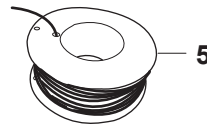
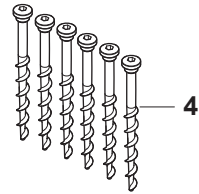
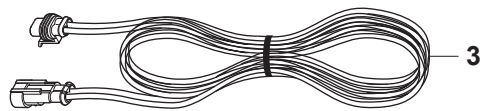
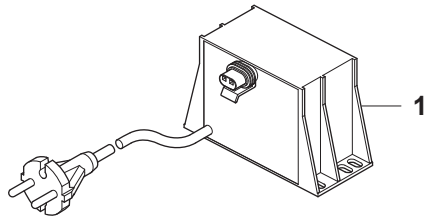
F AUTOMOWER 220 AC
CHARGING STATION

1



Position	Article	Quantity	Notes	Kit
1	575 24 13-01	1	CHARGING STATION KIT (EU)	
1	575 24 13-02	1	CHARGING STATION KIT (UK/IRL)	
1	575 24 13-03	1	CHARGING STATION KIT (CH)	
1	575 24 13-04	1	CHARGING STATION KIT (US/CA/MX)	
1	575 24 13-05	1	CHARGING STATION KIT (AU/NZ)	

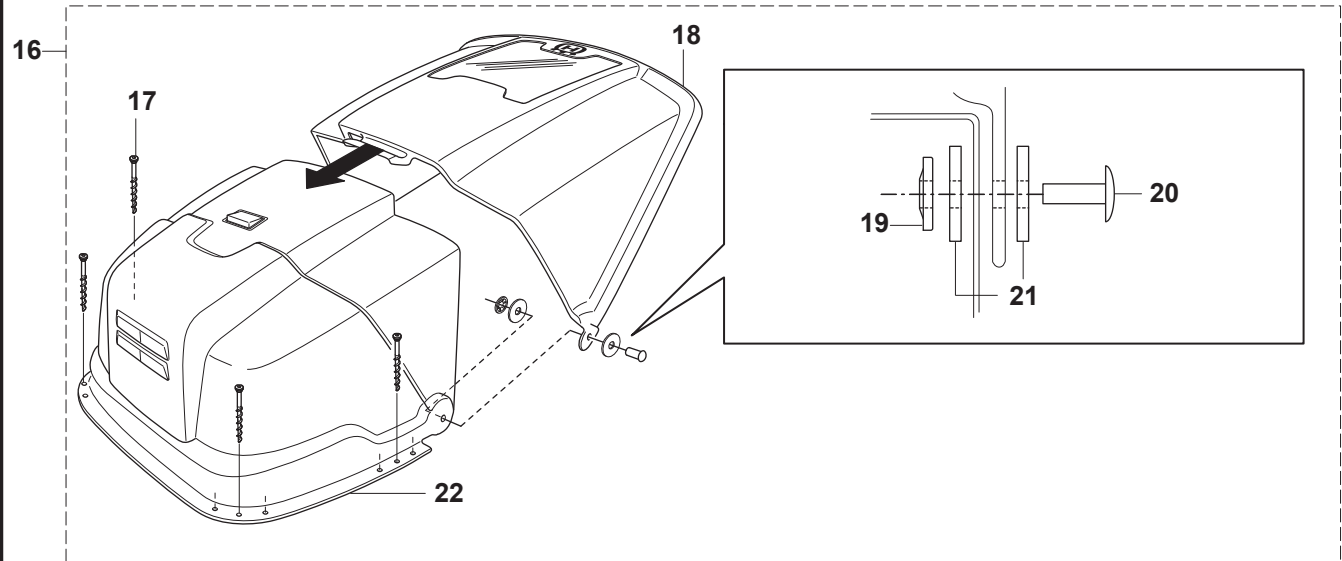
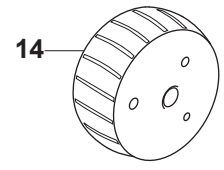
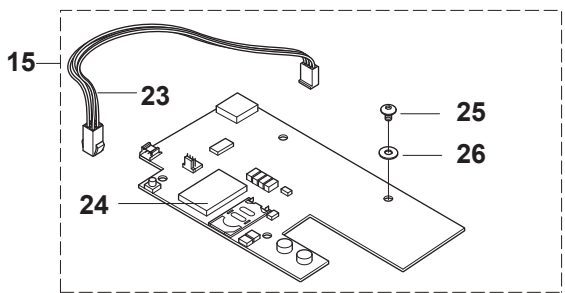
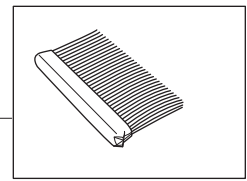
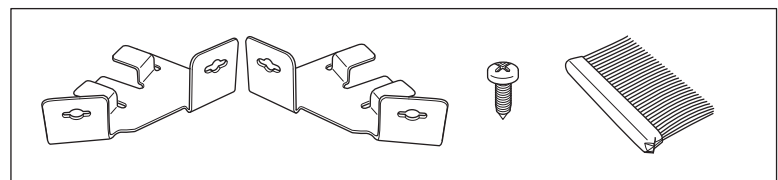
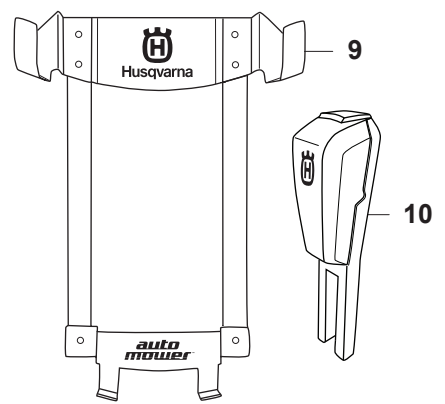
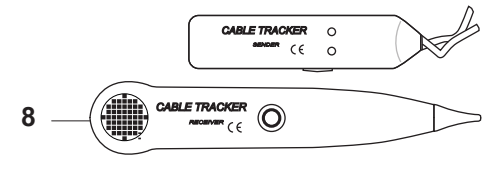
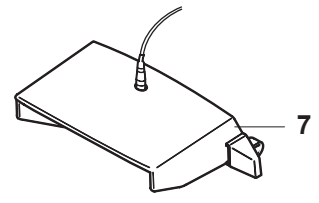
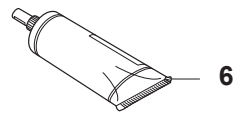
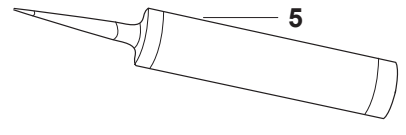
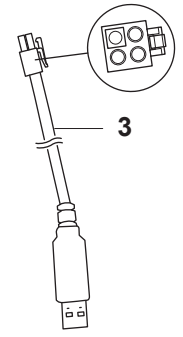
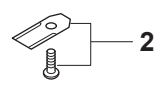
G AUTOMOWER 220 AC ACCESSORIES



Page G AUTOMOWER 220 AC ACCESSORIES				
Position	Article	Quantity	Notes	Kit
1	535 12 37-01	1	TRANSFORMER (EU)	
1	535 12 37-02	1	TRANSFORMER (UK/IRL)	
1	535 12 37-03	1	TRANSFORMER (CH)	
1	535 12 37-04	1	TRANSFORMER (US/MX)	
1	535 12 37-05	1	TRANSFORMER (AU/NZ)	
2	583 97 34-01	1	STAPLE, 100pcs	
2	577 86 42-01	1	STAPLE, Blister pack, 100pcs	
3	535 12 73-05	1	WIRING (20m)	
4	575 23 86-01	1	SCREW KIT, 6pcs	
4	577 86 49-01	2	SCREW KIT, Blister Pack, 3pcs	
5	580 66 20-02	1	WIRE (150m)	
5	577 86 43-01	1	WIRE, Blister pack, (150m)	
6	535 12 90-01	1	LOOP WIRE CONNECTOR	
6	577 86 48-01	1	LOOP WIRE CONNECTOR, Blister Pack, 5pcs	
7	580 66 20-01	1	WIRE (250m)	
8	501 98 02-01	1	COUPLER	
8	577 86 47-01	2	COUPLER, Blister pack, 5pcs	
9	522 91 41-01	1	WIRE (500m, Ø3.4 mm)	
10	501 98 02-03	1	COUPLER, 100pcs	
11	544 17 75-01	1	MEASURING TAPE	
12	579 57 12 01	1	LABEL	
13	584 82 20-01	1	CS CB Thunder lightning protection	
14	575 24 26-01	1	COVER, complete kit, Earth, dark brown metallic	
14	575 24 26-02	1	COVER, complete kit, Air, white metallic	
14	575 24 26-03	1	COVER, complete kit, Water, dark blue metallic	
14	575 24 26-04	1	COVER, complete kit, Fire, orange metallic	
15	586 27 79-01	1	STICKER, Cable markers, 10pcs	
16	115 70 66-01	1	OPERATOR'S MANUAL, Swedish	
16	115 70 66-06	1	OPERATOR'S MANUAL, Danish	
16	115 70 66-11	1	OPERATOR'S MANUAL, Finnish	
16	115 70 66-21	1	OPERATOR'S MANUAL, Norwegian	
16	115 70 66-26	1	OPERATOR'S MANUAL, English	
16	115 70 66-31	1	OPERATOR'S MANUAL, French	
16	115 70 66-32	1	OPERATOR'S MANUAL, French (Canada)	
16	115 70 66-36	1	OPERATOR'S MANUAL, Dutch	
16	115 70 66-41	1	OPERATOR'S MANUAL, Italian	
16	115 70 66-46	1	OPERATOR'S MANUAL, Spanish	
16	115 70 66-51	1	OPERATOR'S MANUAL, German	
16	115 70 66-56	1	OPERATOR'S MANUAL, Russian	
16	115 70 66-58	1	OPERATOR'S MANUAL, Hungarian	
16	115 70 66-59	1	OPERATOR'S MANUAL, Portuguese	
16	115 70 66-61	1	OPERATOR'S MANUAL, Polish	
16	115 70 66-62	1	OPERATOR'S MANUAL, Romanian	
16	115 70 66-63	1	OPERATOR'S MANUAL, Estonian	
16	115 70 66-64	1	OPERATOR'S MANUAL, Lettish	
16	115 70 66-65	1	OPERATOR'S MANUAL, Lithuanian	
16	115 70 66-68	1	OPERATOR'S MANUAL, Slovak	
16	115 70 66-71	1	OPERATOR'S MANUAL, Greek	
16	115 70 66-76	1	OPERATOR'S MANUAL, Turkish	
16	115 70 66-81	1	OPERATOR'S MANUAL, Croatian	
16	115 70 66-84	1	OPERATOR'S MANUAL, Slovenian	
16	115 70 66-90	1	OPERATOR'S MANUAL, OPERATOR'S MANUAL, Czech	
16	115 70 66-95	1	OPERATOR'S MANUAL, English (EPA, CARB)	
16	115 70 66-96	1	OPERATOR'S MANUAL, Spanish (USA)	
17	115 13 05-01	1	QUICK GUIDE, Swedish	
17	115 13 05-06	1	QUICK GUIDE, Danish	

Page G AUTOMOWER 220 AC ACCESSORIES				
Position	Article	Quantity	Notes	Kit
17	115 13 05-11	1	QUICK GUIDE, Finnish	
17	115 13 05-21	1	QUICK GUIDE, Norwegian	
17	115 13 05-26	1	QUICK GUIDE, English	
17	115 13 05-31	1	QUICK GUIDE, French	
17	115 13 05-32	1	QUICK GUIDE, French (Canada)	
17	115 13 05-36	1	QUICK GUIDE, Dutch	
17	115 13 05-41	1	QUICK GUIDE, Italian	
17	115 13 05-46	1	QUICK GUIDE, Spanish	
17	115 13 05-51	1	QUICK GUIDE, German	
17	115 13 05-56	1	QUICK GUIDE, Russian	
17	115 13 05-58	1	QUICK GUIDE, Hungarian	
17	115 13 05-59	1	QUICK GUIDE, Portuguese	
17	115 13 05-61	1	QUICK GUIDE, Polish	
17	115 13 05-62	1	QUICK GUIDE, Romanian	
17	115 13 05-63	1	QUICK GUIDE, Estonian	
17	115 13 05-64	1	QUICK GUIDE, Lettish	
17	115 13 05-65	1	QUICK GUIDE, Lithuanian	
17	115 13 05-68	1	QUICK GUIDE, Slovak	
17	115 13 05-71	1	QUICK GUIDE, Greek	
17	115 13 05-76	1	QUICK GUIDE, Turkish	
17	115 13 05-81	1	QUICK GUIDE, Croatian	
17	115 13 05-84	1	QUICK GUIDE, Slovenian	
17	115 13 05-90	1	QUICK GUIDE, Czech	
17	115 13 05-95	1	QUICK GUIDE, English (EPA, CARB)	
17	115 13 05-96	1	QUICK GUIDE, Spanish (USA)	

H AUTOMOWER 220 AC ACCESSORIES



Page H AUTOMOWER 220 AC ACCESSORIES				
Position	Article	Quantity	Notes	Kit
2	577 86 46-02	1	LONG LIFE SAFETY BLADE, Blister Pack, 9pcs	
2	577 60 65-04	1	LONG LIFE SAFETY BLADE, 45pcs	
2	577 60 66-03	1	LONG LIFE SAFETY BLADE, 300pcs	
3	535 13 23-02	1	SERVICE CABLE (USB)	
4	577 85 81-03	1	AUTOCHECK EXP DVD	
5	579 38 19-02	1	GREASE TUBE, Transparent (300 ml)	
6	579 38 19-01	1	GREASE TUBE, Transparent (85 ml)	
7	522 73 65-01	1	ADAPTER PIN code transfer unit	
8	577 60 68-01	1	INTERRUPTION DETECTOR	
9	504 82 13-01	1	WALL BRACKET ASSY	
10	522 42 58-01	1	SIGNAL BOOSTER	
11	505 13 27-01	1	BRUSH KIT, Incl Brush, 6pcs	
11	577 86 50-01	1	BRUSH KIT, Incl Brush, Blister Pack, 6pcs	
12	505 13 28-02	1	BRUSH, 6pcs	
13	522 91 67-01	1	BAG	
14	575 23 17-02	1	HEAVY WHEEL (400g)	
14	577 86 51-01	1	HEAVY WHEEL (400g), Blister pack, 2pcs	
15	575 24 24-02	1	GPS UNIT compl GPS module	
16	504 82 14-01	1	COVER KIT compl	
17	575 23 86-01	1	SCREW KIT, 6pcs	16
18	505 25 07-01	2	LID	16
19	505 18 81-01	2	LOCK WASHER	16
20	505 12 36-01	4	PIN	16
21	505 22 94-01	1	WASHER	16
22	505 12 32-01	1	HOUSING	16
23	576 21 94-01	1	LOOM	15
24	576 38 10-01	1	Battery GPS module	15
25	522 59 71-01	2	SCREW	15
26	522 59 72-01	2	WASHER	15