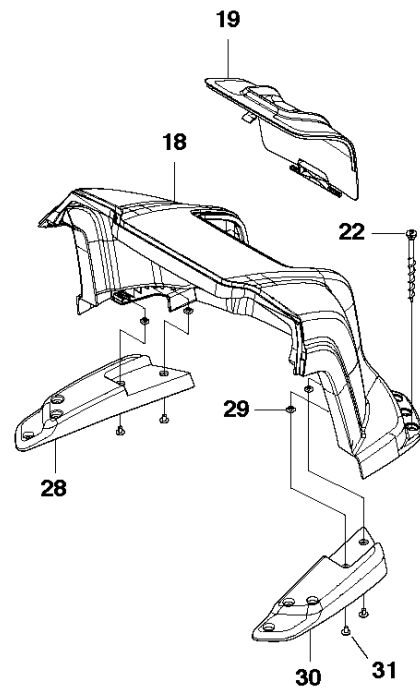
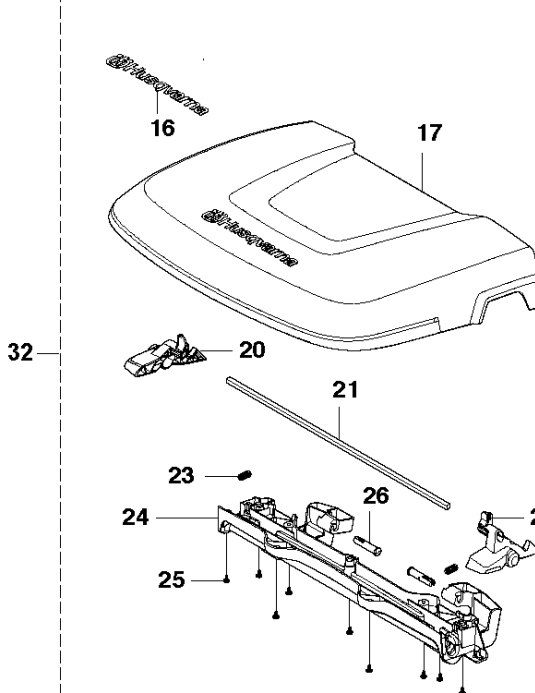
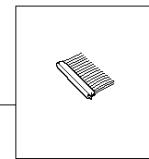
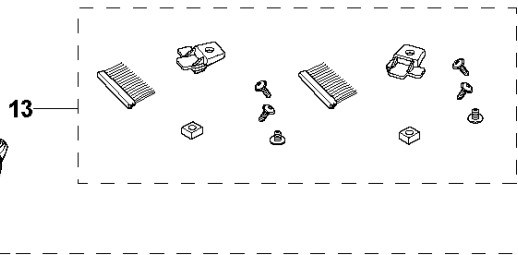
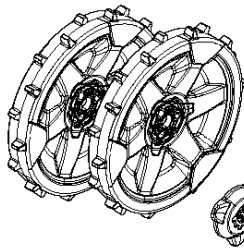
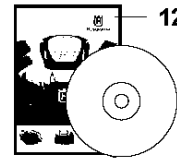
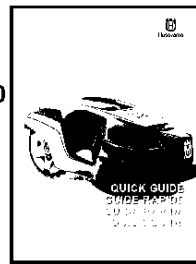
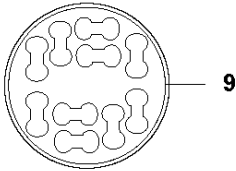
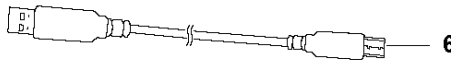
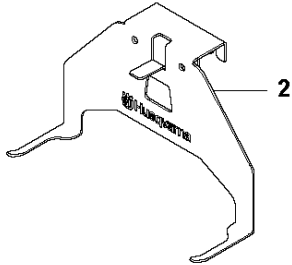
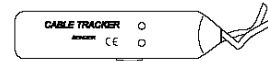
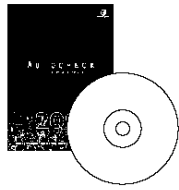
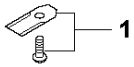




SPARE PARTS LIST

ROBOTIC LAWN MOWERS
AUTOMOWER 310, 2015-03

G AUTOMOWER 310, 315
ACCESSORIES

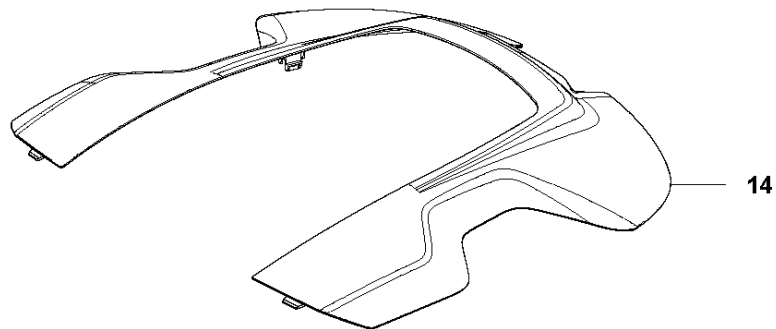
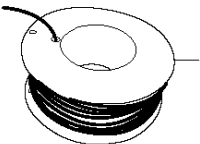
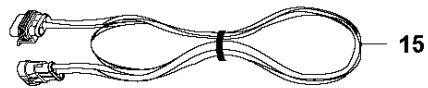
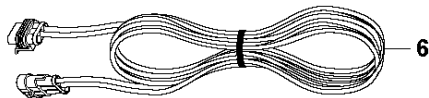
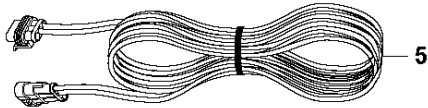
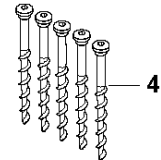
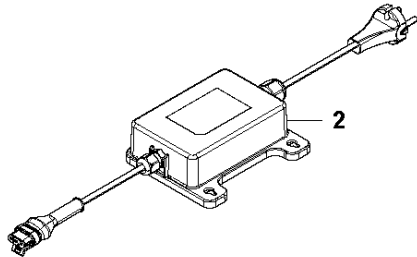
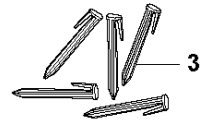
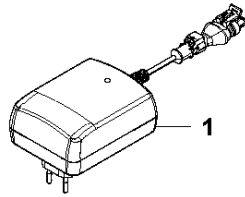


ACCESSORIES

AUTOMOWER 310, 2015-03

Ref	Part No	Description	Remark	QTY KIT
1	577 86 46-02	BLADE	9pcs Blister pack	1
1	577 60 65-04	BLADE	45pcs	1
1	577 60 66-03	BLADE	300pcs	1
2	587 22 40-01	WALL HANGER	Wallhanger 310/315	1
3	577 85 81-03	DVD		1
4	580 68 95-02	LABEL	1pcs	1
4	584 90 22-01	LABEL	10pcs	1
5	577 60 68-01	TEST EQUIPMENT		1
6	577 51 81-02	CABLE	USB	1
7	522 91 67-01	BAG		1
9	586 27 79-01	STICKER	10 pcs	1
10	115 70 64-01	OPERATOR'S MANUAL	Swedish	1
10	115 70 64-31	OPERATOR'S MANUAL	French	1
10	115 70 64-41	OPERATOR'S MANUAL	Italian	1
10	115 70 64-51	OPERATOR'S MANUAL	German	1
11	115729939	TBD	Swedish, German, French, Italian	1
12	587 65 73-01	CD	DVD	1
13	587 23 57-01	BRUSH KIT		1
14	587 23 53-01	WHEEL KIT		1
15	505 13 28-01	BRUSH	6pcs	1
16	577 46 90-01	DECAL		1
17	585 32 35-01	COVER		1
18	586 99 38-01	COVER		1
19	585 32 36-01	HATCH		1
20	585 32 40-02	HANDLE	Left	1
21	585 32 41-01	ROD		1
22	575 23 86-01	SCREW KIT	6pcs	1
23	580 51 14-01	SPRING		2
24	585 34 16-01	BEAM		1
25	575 54 33-14	SCREW		9
26	585 34 15-01	HINGE PIN		2
27	585 32 40-01	HANDLE	right	1
28	585 32 38-02	SUPPORT	left	1
29	503 22 66-01	SQUARE NUT		4
30	585 32 38-01	SUPPORT	right	1
31	535 12 93-03	SCREW IHPANM		4
32	587 23 61-01	HOUSING		1

F AUTOMOWER 310, 315
ACCESSORIES

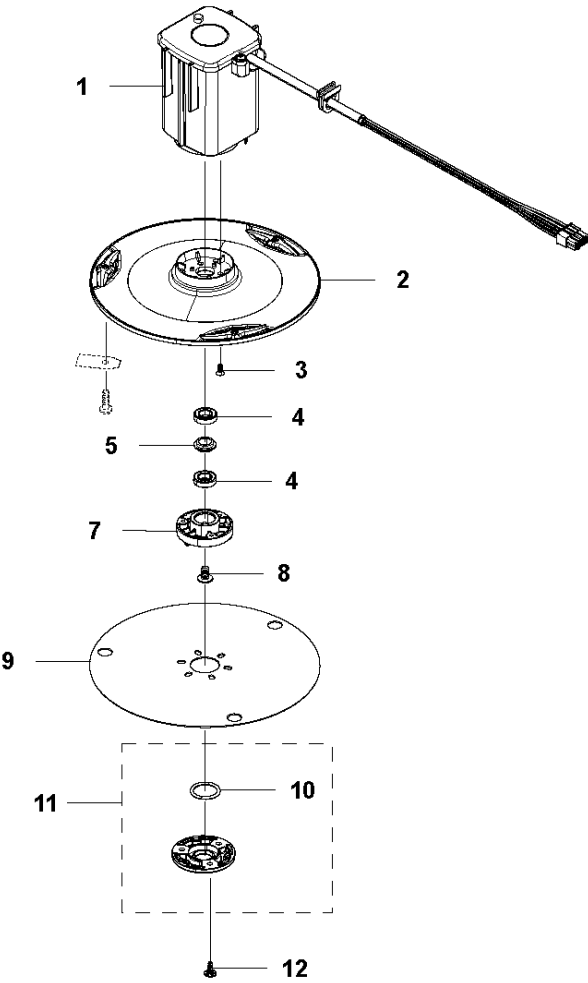


ACCESSORIES

AUTOMOWER 310, 2015-03

Ref	Part No	Description	Remark	QTY KIT
1	584 86 25-01	POWER UNIT	EU	1
2	584 86 26-03	POWER UNIT	CH	1
3	583 97 34-01	STAPLE		1
4	575 23 86-03	SCREW KIT		1
5	580 43 38-01	CABLE	Low voltage cable 20m	1
6	580 43 38-02	LOOM	Low voltage cable 10m	1
7	580 66 20-02	WIRE	150m	1
7	577 86 43-01	WIRE	blister pack, 150m	1
8	580 66 20-01	WIRE	250m	1
9	522 91 41-01	WIRE	500m	1
10	535 12 90-01	COUPLER		1
10	577 86 48-01	CONNECTOR	Blister Pack, 5pcs	1
11	501 98 02-01	COUPLER		1
11	577 86 47-01	COUPLER	Blister pack, 5pcs	2
11	501 98 02-03	COUPLER	100pcs	1
12	544 17 75-01	MEASURING TAPE		1
13	579 57 12-01	LABEL		1
14	587 23 58-01	BODY KIT	Top Cover Grey	1
14	587 23 58-02	BODY KIT	Top Cover White	1
14	587 23 58-03	BODY KIT	Top Cover Orange	1
15	580 43 38-03	LOOM		1

D AUTOMOWER 310, 315
BLADE MOTOR & CUTTING EQUIPMENT

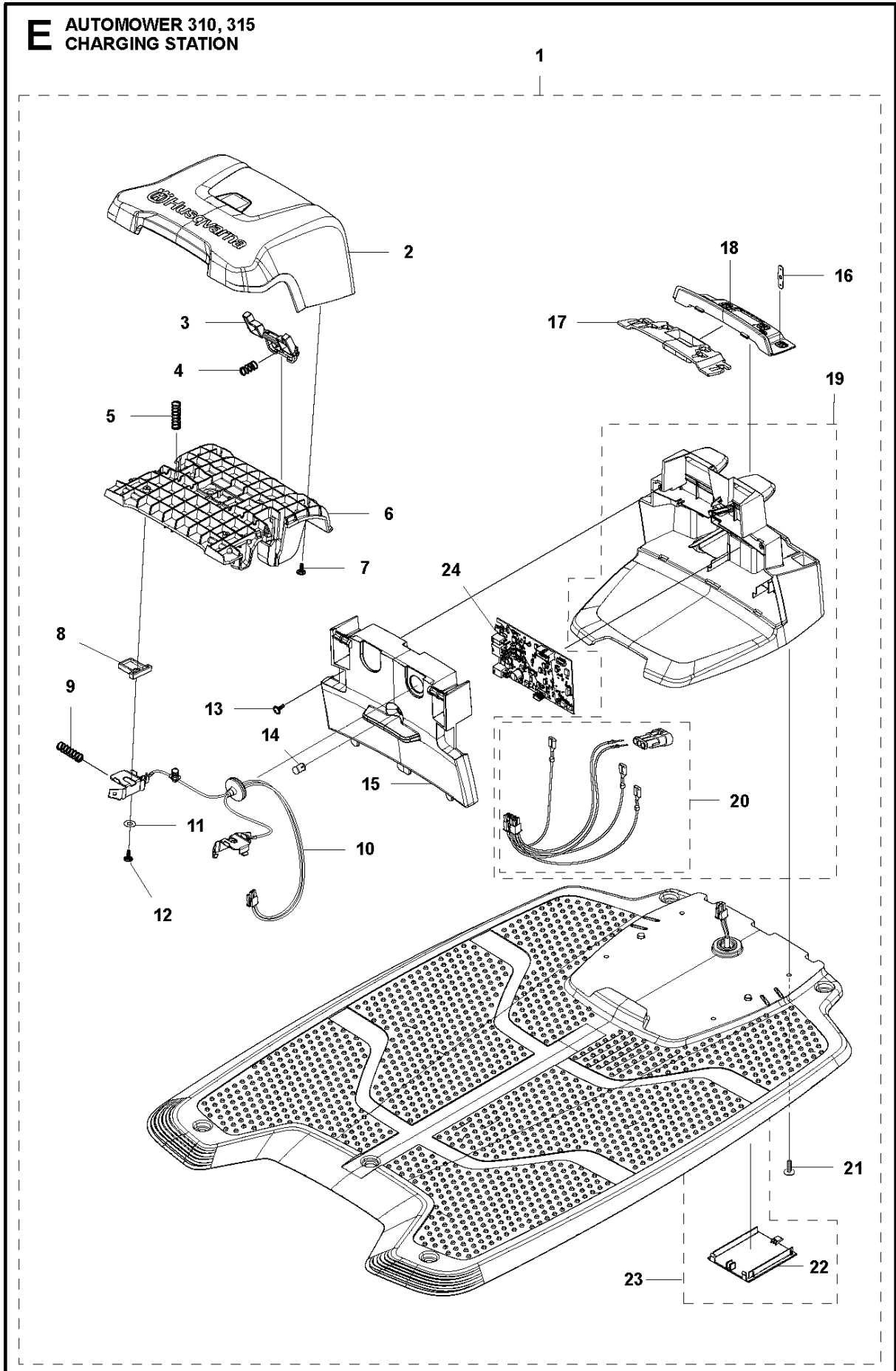


BLADE MOTOR & CUTTING EQUIPMENT

AUTOMOWER 310, 2015-03

Ref	Part No	Description	Remark	QTY KIT
1	584 92 05-01	MOTOR ASSY		1
2	585 29 69-01	CUTTING DISC		1
3	535 13 05-01	SCREW		3
4	535 07 57-03	BALL BEARING		2
5	585 29 77-01	SLEEVE		1
7	585 57 33-01	BEARING HOUSING		1
8	535 07 60-01	SCREW		1
9	585 29 70-01	SKID PLATE		1
10	585 29 75-01	O-RING		1
11	587 44 96-01	COVER KIT		1
12	575 54 33-14	SCREW		3

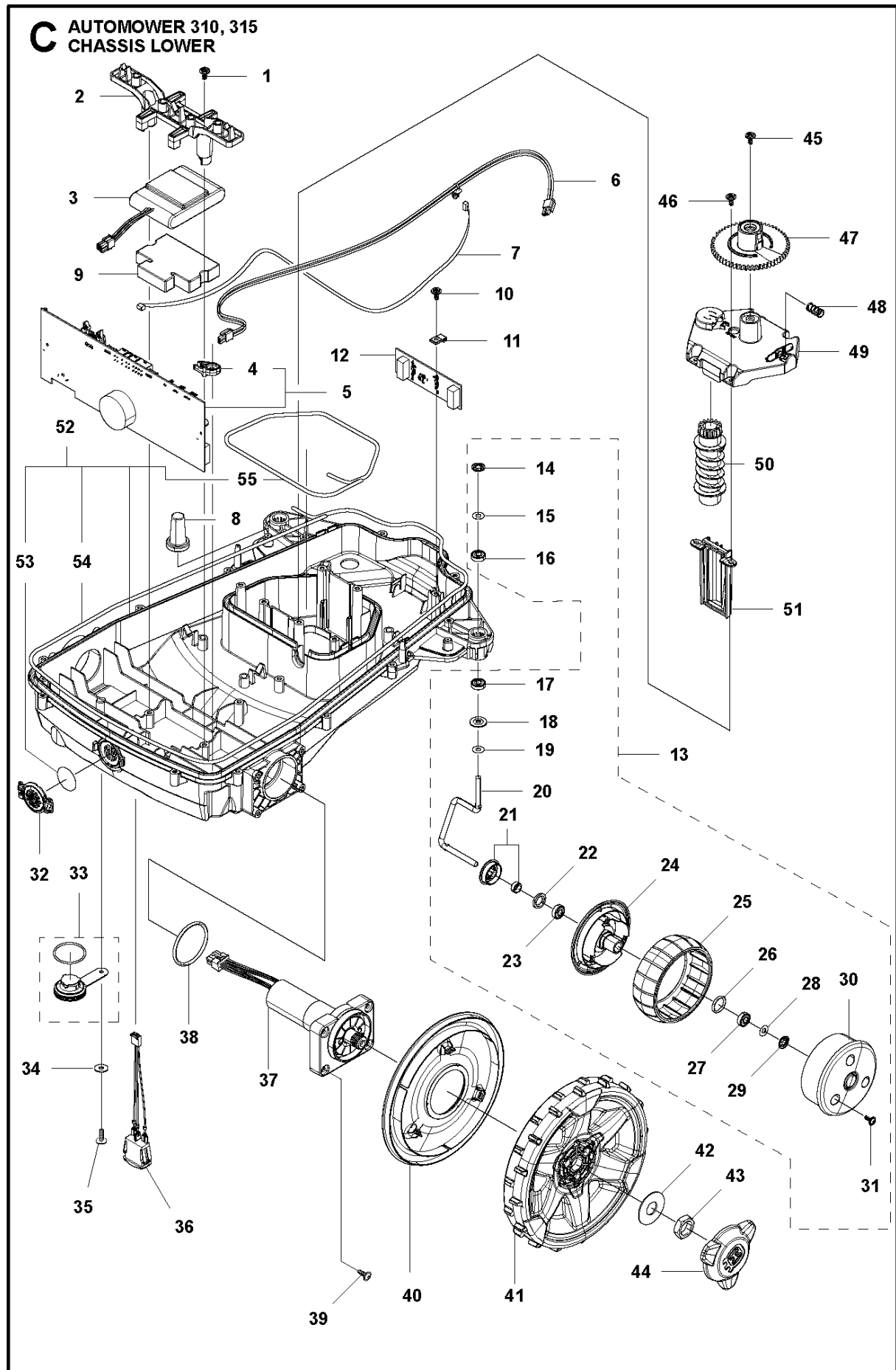
E AUTOMOWER 310, 315
CHARGING STATION



CHARGING STATION

AUTOMOWER 310, 2015-03

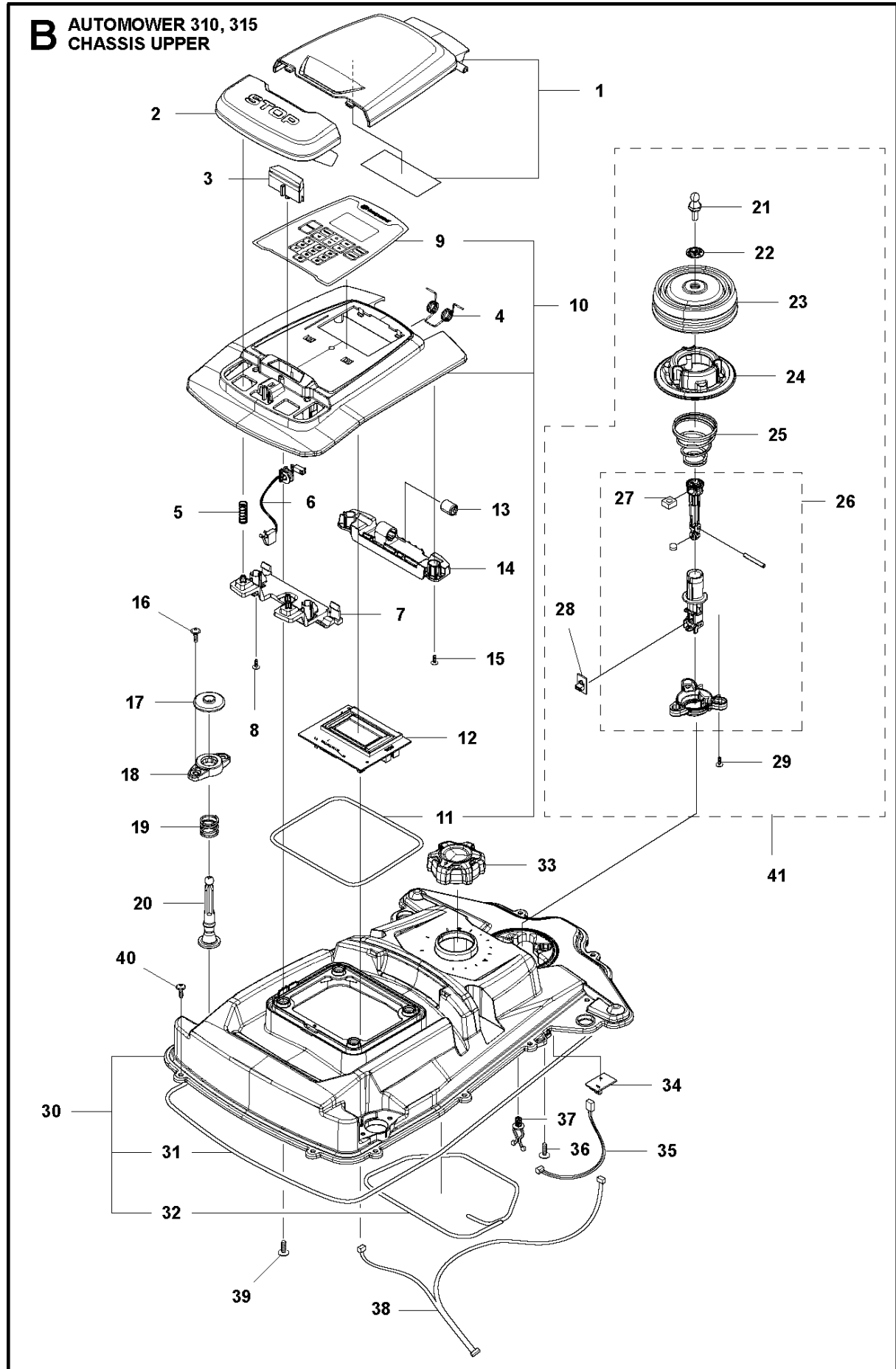
Ref	Part No	Description	Remark	QTY KIT
1	585 16 40-01	CHARGING STATION		1
2	585 07 11-02	CAP		1
3	579 46 24-02	BUTTON		1
4	574 48 70-01	SPRING		1
5	580 51 14-01	SPRING		2
6	579 45 80-03	FRAME		1
7	575 54 33-14	SCREW		4
8	579 46 05-01	DISTANCE		2
9	580 51 14-01	SPRING		2
10	585 53 95-01	LOOM		1
11	734 11 37-41	WASHER		2
12	575 54 33-14	SCREW		2
13	575 54 33-14	SCREW		2
14	535 12 87-02	DIODE LENS		1
15	585 07 14-01	LID		1
16	580 50 41-01	TERMINAL		3
17	579 45 98-01	PAN		1
18	579 45 99-01	HOLDER		1
19	588 41 61-01	HOUSING ASSY		1
20	587 65 15-01	LOOM KIT		1
21	575 54 33-14	SCREW		4
22	585 91 93-01	COVER		1
23	587 65 16-01	CHARGING PLATE		1
24	584 92 64-01	PRINTED CIRCUIT ASSY		1



CHASSIS LOWER

AUTOMOWER 310, 2015-03

Ref	Part No	Description	Remark	QTY KIT
1	574 45 01-01	SCREW ITXPANT		2
2	585 30 47-01	HOLDER		1
3	584 85 28-01	BATTERY		1
4	585 53 83-01	CLIP		2
5	583 85 18-01	PRINTED CIRCUIT ASSY		1
6	585 53 90-01	LOOM		1
7	579 70 82-01	LOOM		1
8	586 34 26-01	COLUMN		2
9	587 24 96-01	WEIGHT		1
10	574 45 01-01	SCREW ITXPANT		1
11	579 52 94-01	CLAMP		1
12	579 66 02-01	PRINTED CIRCUIT ASSY		1
13	587 65 19-01	WHEEL KIT		2
14	576 01 94-01	LOCK WASHER		2
15	585 19 68-01	WASHER		2
16	585 21 42-01	BALL BEARING		2
17	585 21 42-01	BALL BEARING		2
18	535 08 78-02	WASHER		2
19	585 19 68-01	WASHER		2
20	585 18 72-01	SPINDLE		2
21	587 44 93-01	SHIELD KIT		2
22	580 48 71-01	SEALING		2
23	585 21 42-01	BALL BEARING		2
24	579 45 71-01	WHEEL		2
25	574 44 98-01	WHEEL		2
26	580 44 51-01	O-RING		2
27	585 21 42-01	BALL BEARING		2
28	585 19 68-01	WASHER		2
29	576 01 94-01	LOCK WASHER		2
30	579 45 72-01	WHEEL		2
31	575 54 33-14	SCREW		6
32	586 03 89-01	COVER		1
33	581 62 12-01	PLUG KIT		1
34	734 11 37-41	WASHER		1
35	574 45 01-01	SCREW ITXPANT		1
36	579 70 87-01	LOOM		1
37	587 44 94-02	MOTOR KIT		1
38	580 44 39-02	O-RING		2
39	574 45 01-01	SCREW ITXPANT		8
40	585 06 56-01	COVER		2
41	585 06 61-01	REAR WHEEL		2
42	586 21 06-01	WASHER		2
43	731 43 24-01	HEXAGON THIN NUT		2
44	579 50 55-02	HUB CAP		2
45	574 45 01-01	SCREW ITXPANT		1
46	574 45 01-01	SCREW ITXPANT		4
47	585 28 17-01	GEAR		1
48	574 48 70-01	SPRING		1
49	586 01 88-01	COVER		1
50	585 27 87-01	SCREW		1
51	585 28 15-01	RAIL		2
52	585 53 78-01	CHASSIS		1
53	577 75 37-01	KIT		1
54	574 87 47-07	SEALING STRIP		1
54	588 61 60-02	SEALING STRIP	10 pcs	1
55	574 87 47-08	SEALING STRIP		1
55	588 61 61-01	SEALING STRIP	10 pcs	1

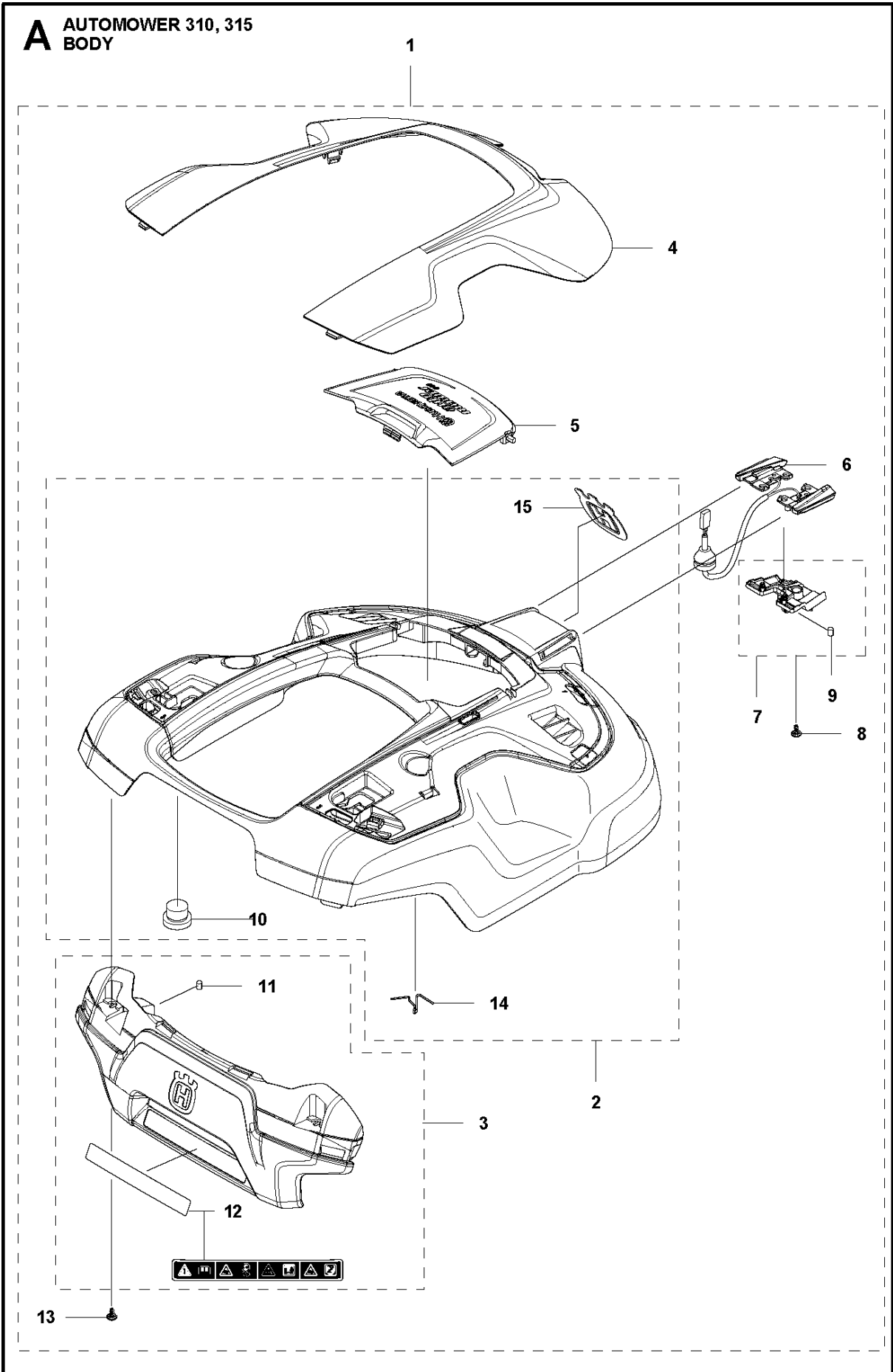


CHASSIS UPPER

AUTOMOWER 310, 2015-03

Ref	Part No	Description	Remark	QTY KIT
1	587 65 13-01	HATCH KIT		1
2	585 27 56-01	BUTTON		1
3	585 27 59-01	LOCK		1
4	585 25 54-01	TORSION SPRING		1
5	576 24 22-01	SPRING		3
6	574 48 03-02	SWITCH		1
7	585 27 57-01	SUPPORT		1
8	575 54 33-14	SCREW		2
9	584 97 45-01	KEYBOARD	310	1
9	584 97 46-01	KEYBOARD	315	1
10	587 44 90-01	COVER KIT	310	1
10	587 44 90-02	COVER KIT	315	1
11	574 87 47-08	SEALING STRIP		1
11	588 61 61-01	SEALING STRIP	10 pcs	1
12	584 38 97-01	PRINTED CIRCUIT ASSY		1
12	584 39 09-01	PRINTED CIRCUIT ASSY		1
13	580 35 23-02	DAMPER		1
14	585 27 54-01	SUPPORT		1
15	575 54 33-14	SCREW		2
16	574 45 01-01	SCREW ITXPANT		4
17	585 29 82-01	GASKET		2
18	585 29 83-01	HOLDER		2
19	585 29 81-01	SPRING		2
20	585 29 80-01	COLUMN		2
21	580 52 67-01	STUD		1
22	579 52 57-01	WASHER		1
23	579 47 46-01	BELLOWS		1
24	579 48 48-01	RETAINER		1
25	580 67 25-01	SPRING		1
26	587 44 88-01	JOYSTICK KIT		1
27	503 22 66-01	SQUARE NUT		1
28	579 66 90-01	PRINTED CIRCUIT ASSY		1
29	575 54 33-14	SCREW		3
30	587 44 89-01	CHASSIS KIT		1
31	574 87 47-07	SEALING STRIP		1
32	574 87 47-08	SEALING STRIP		1
31	588 61 60-02	SEALING STRIP	10 pcs	1
33	585 28 14-01	KNOB		1
32	588 61 61-01	SEALING STRIP	10 pcs	1
34	584 96 90-01	PRINTED CIRCUIT ASSY		1
35	585 20 85-01	LOOM		1
36	574 45 01-01	SCREW ITXPANT		3
37	580 68 29-01	HOLDER		3
38	585 20 86-01	LOOM		1
39	574 45 01-01	SCREW ITXPANT		4
40	574 45 01-01	SCREW ITXPANT		12
41	581 62 09-03	JOYSTICK KIT		1

A AUTOMOWER 310, 315
BODY



Ref	Part No	Description	Remark	QTY KIT
1	585 52 77-01	BODY SYSTEM	310	1
1	585 52 77-02	BODY SYSTEM	315	1
2	587 44 85-01	BODY KIT		1
3	587 44 87-01	BUMPER		1
4	587 23 58-01	BODY KIT		1
4	587 23 58-02	BODY KIT		1
4	587 23 58-03	BODY KIT		1
5	585 53 81-01	HOOD		1
5	585 53 81-02	HOOD		1
6	585 53 92-01	LOOM		1
7	587 44 86-01	HOLDER KIT		1
8	574 45 01-01	SCREW ITPANT		1
9	580 53 25-01	MAGNET		1
10	580 52 68-01	CAP		3
11	580 53 25-01	MAGNET		1
12	586 35 97-01	LABEL		1
13	574 45 01-01	SCREW ITPANT		2
14	587 41 94-01	SPRING		1
15	574 38 21-01	DECAL		1