

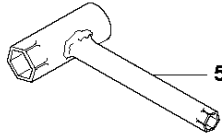
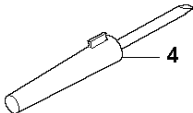
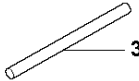
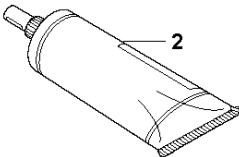
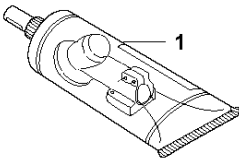


SPARE PARTS LIST

TRIMMERS/EDGERS

323 EX

N 323Ex
Accessories

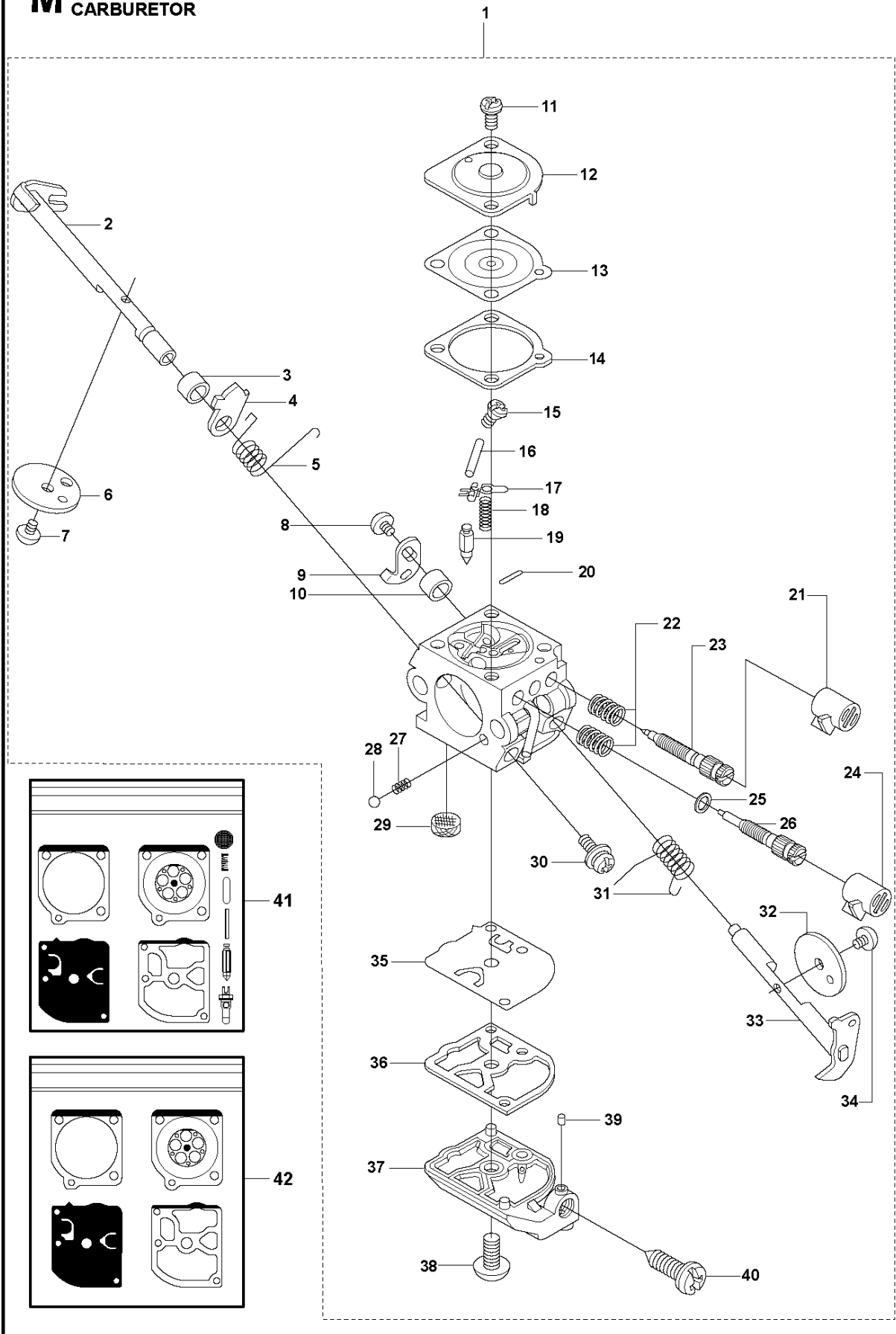


ACCESSORIES

323 EX

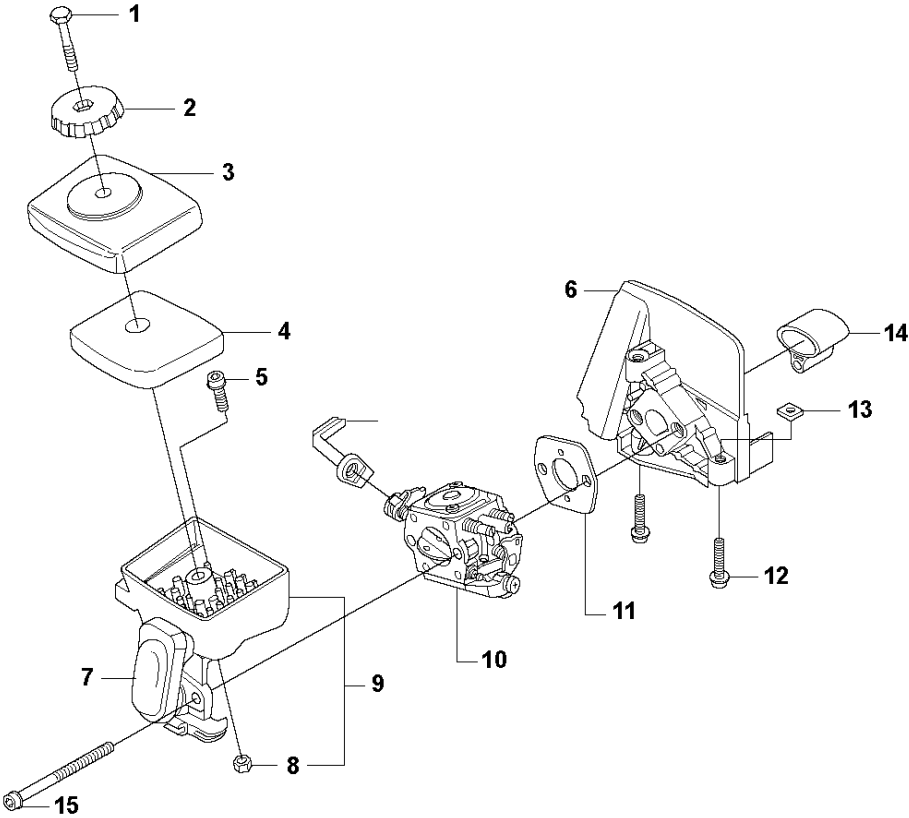
Ref	Part No	Description	Remark	QTY KIT
1	503 97 64-01	GREASE		1
2	503 80 17-01	GREASE		1
3	502 28 59-01	STOP		1
4	501 60 02-03	SCREWDRIVER		1
5	502 11 46-02	SOCKET WRENCH		1
6	502 21 58-01	L-NYCKEL		1
7	537 19 99-01	TUBE		1

M 323Ex
CARBURETOR



Ref	Part No	Description	Remark	QTY	KIT
1	503 28 31-11	CARBURETTOR	Zama C1Q-EL12	1	
2	537 02 09-01	SHAFT ASSY		1	1
3	503 48 19-01	COLLAR		1	1
4	537 04 90-01	LEVER		1	1
5	537 02 10-01	SPRING		1	1
6	537 02 11-01	VALVE		1	1
7	503 48 18-01	SCREW		1	1
8	503 47 90-01	SCREW		1	1
9	537 01 98-01	LEVER		1	1
10	503 47 89-01	COLLAR		1	1
11	503 48 05-01	SCREW		2	1
12	503 97 43-01	COVER		1	1
13	537 04 89-01	DIAPHRAGM		1	1, 41, 42
14	537 02 04-01	GASKET		1	1, 41, 42
15	503 48 01-01	SCREW		1	1
16	503 48 00-01	PIN RETAINING SCREW		1	1, 41
17	503 66 59-01	LEVER		1	1, 41
18	537 02 03-01	SPRING		1	1, 41
19	503 47 97-01	VALVE		1	1, 41
20	537 02 08-01	PLUG		1	1, 41
21	537 02 16-01	LIMITER CAP		1	1
22	503 48 08-01	SPRING		1	1
23	537 12 78-01	SCREW		1	1
24	537 02 16-01	LIMITER CAP		1	1
25	503 97 40-01	WASHER		1	1
26	537 02 06-01	SCREW		1	1
27	537 01 26-01	SPRING		1	1
28	537 01 25-01	BALL		1	1
29	503 53 57-01	STRAINER		1	1, 41
30	503 75 53-01	SCREW		1	1
31	537 01 97-01	SPRING		1	1
32	537 01 99-01	VALVE		1	1
33	537 01 96-01	SHAFT ASSY		1	1
34	503 47 92-01	SCREW		1	1
35	537 02 00-01	DIAPHRAGM PUMP		1	1, 41, 42
36	537 02 01-01	GASKET PUMP		1	1, 41, 42
37	537 02 02-01	COVER		1	1
38	503 47 96-01	SCREW		1	1
39	503 48 11-01	PIECE		1	1
40	537 02 07-01	SCREW		1	1
41	531 00 45-53	SET	Repairkit	1	
42	531 00 45-52	GASKET KIT	Set of gaskets	1	

E 323Ex
CARBURETOR & AIR FILTER

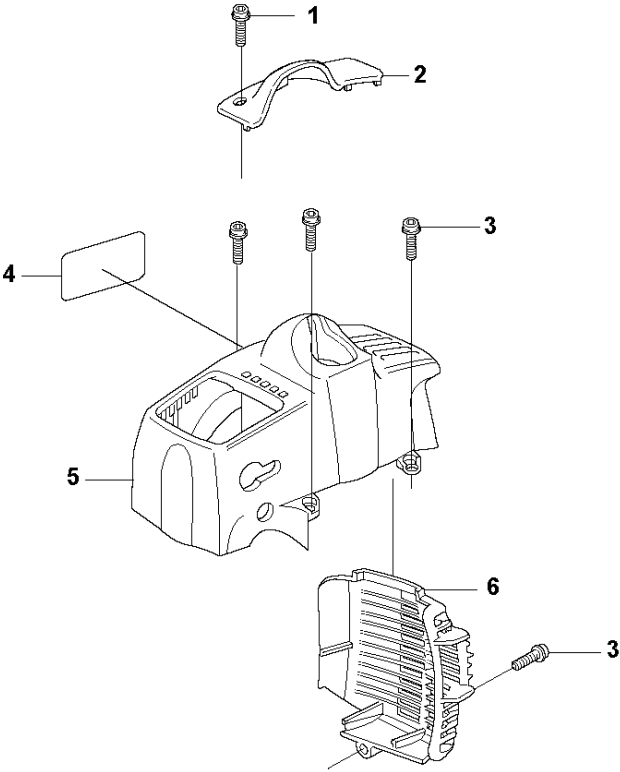


CARBURETOR & AIR FILTER

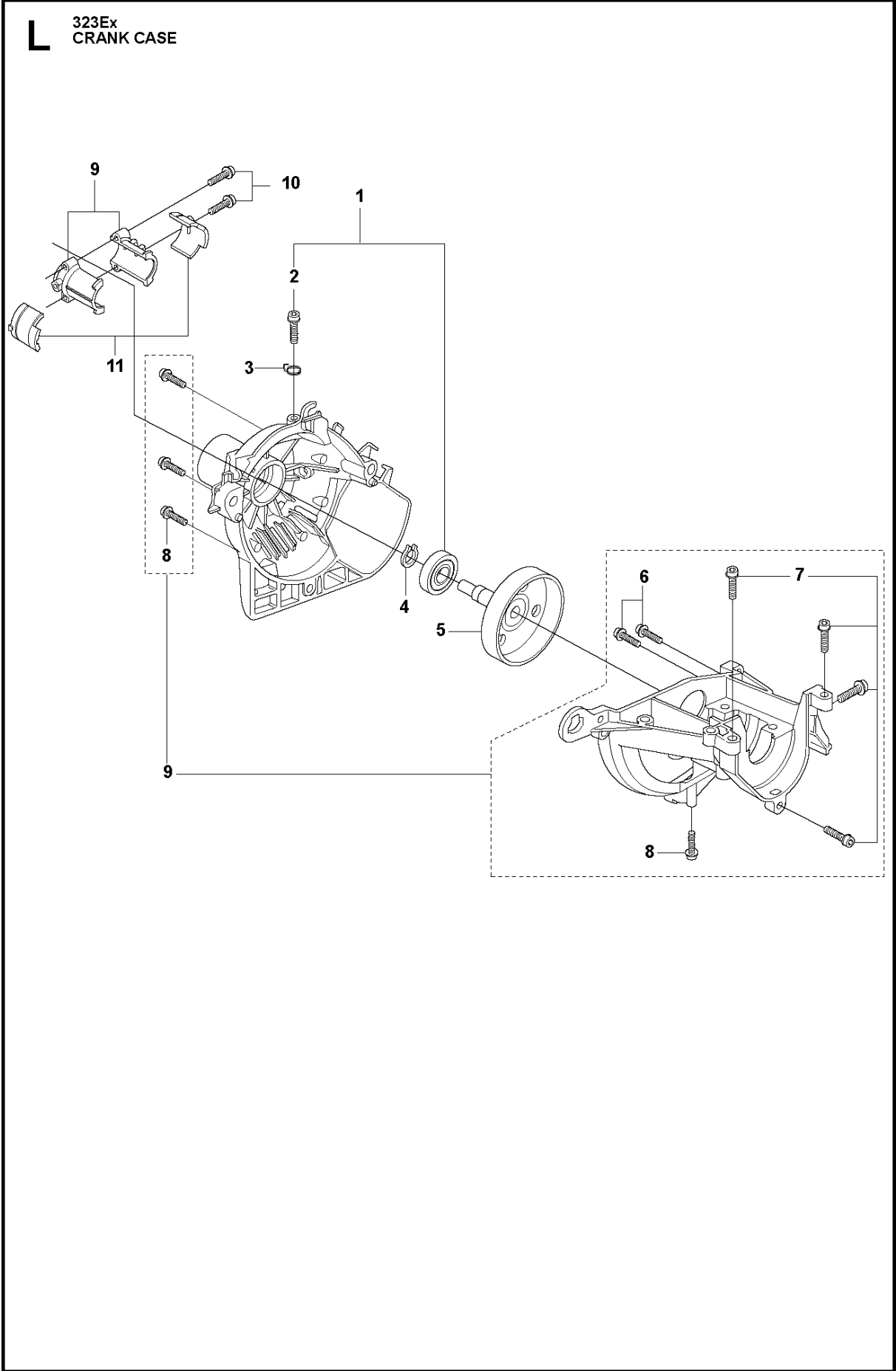
323 EX

Ref	Part No	Description	Remark	QTY KIT
1	502 20 65-03	SCREW EHHM		1
2	502 20 40-01	KNOB		1
3	503 88 80-01	FILTER COVER		1
4	537 18 63-01	AIR FILTER		1
5	503 21 75-16	SCREW IHSCFT		1
6	503 91 09-01	INSULATION WALL		1
7	503 88 79-01	HUB CAP		1
8	731 23 14-01	HEXAGON NUT		1
9	503 89 03-01	FILTERBLOCK ASSY		1
10	503 28 31-11	CARBURETTOR		1
11	503 49 71-01	GASKET		1
12	503 20 03-25	SCREW IHSCFM		1
13	503 22 65-04	SQUARE NUT		1
14	503 94 26-01	INLET PIPE		1
15	503 21 75-50	SCREW IHSCFT		1

D 323Ex
COVERS



Ref	Part No	Description	Remark	QTY KIT
1	503 21 35-12	SCREW CCRPANT		1
2	537 10 44-01	ARM PROTECTION		1
3	503 21 68-20	SCREW IHSCFT		1
5	503 87 18-01	CYLINDER COVER		1
6	503 87 21-01	HEAT PROTECTOR		1

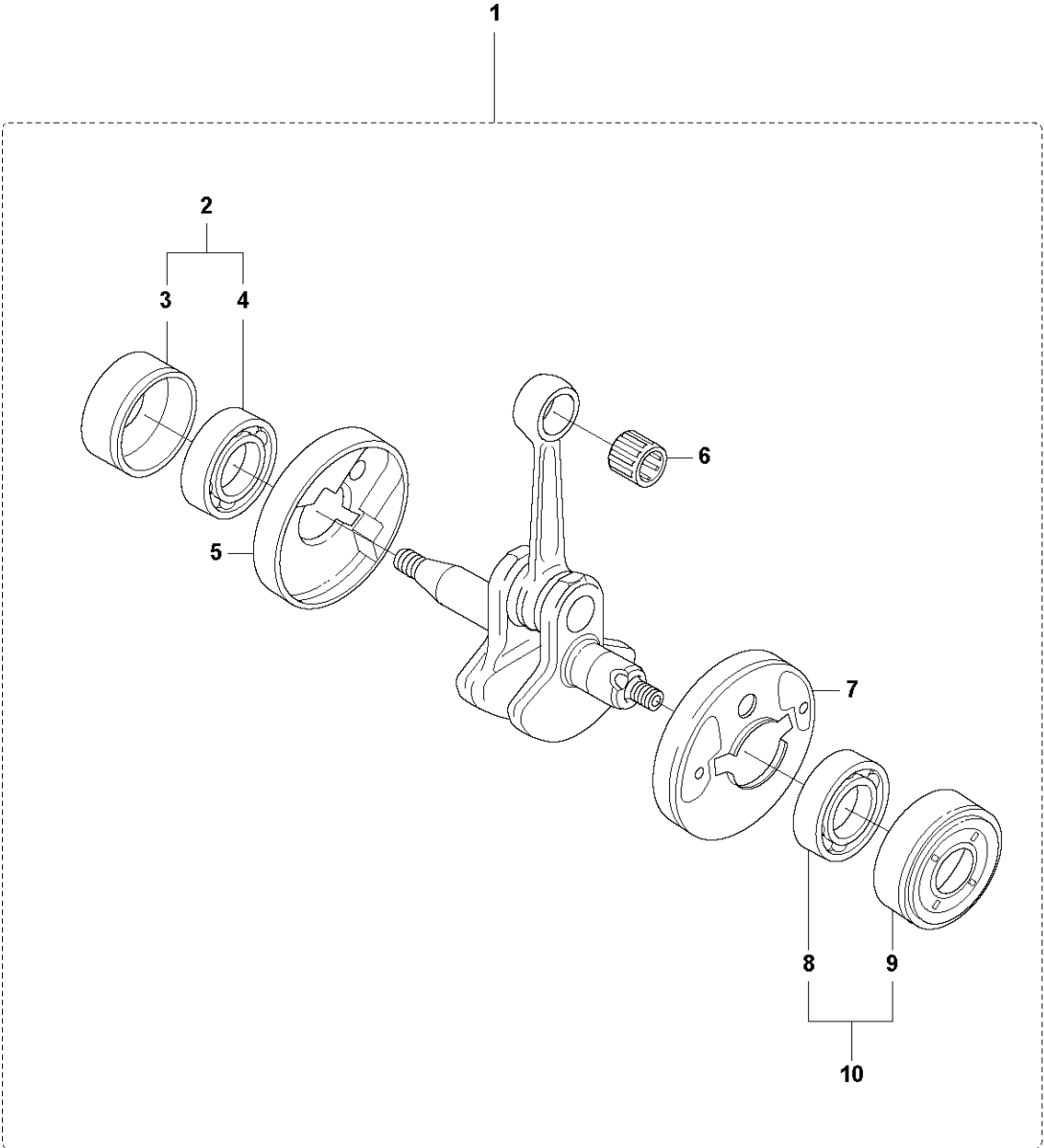


CRANKCASE

323 EX

Ref	Part No	Description	Remark	QTY	KIT
1	537 04 12-03	CLUTCH COVER		1	
2	503 21 68-20	SCREW IHSCFT		1	1
3	537 07 36-01	SPRING		1	
4	735 31 12-00	CIRCLIP		1	
5	503 88 41-01	CLUTCH DRUM		1	
6	503 21 71-16	SCREW IHSCFT		1	9
7	503 21 68-20	SCREW IHSCFT		4	9
8	503 21 68-20	SCREW IHSCFT		3	9
9	537 04 11-01	CRANKCASE		1	
10	503 21 68-25	SCREW IHSCFT		2	
11	537 03 24-01	INSULATOR		1	

J 323Ex
CRANK SHAFT

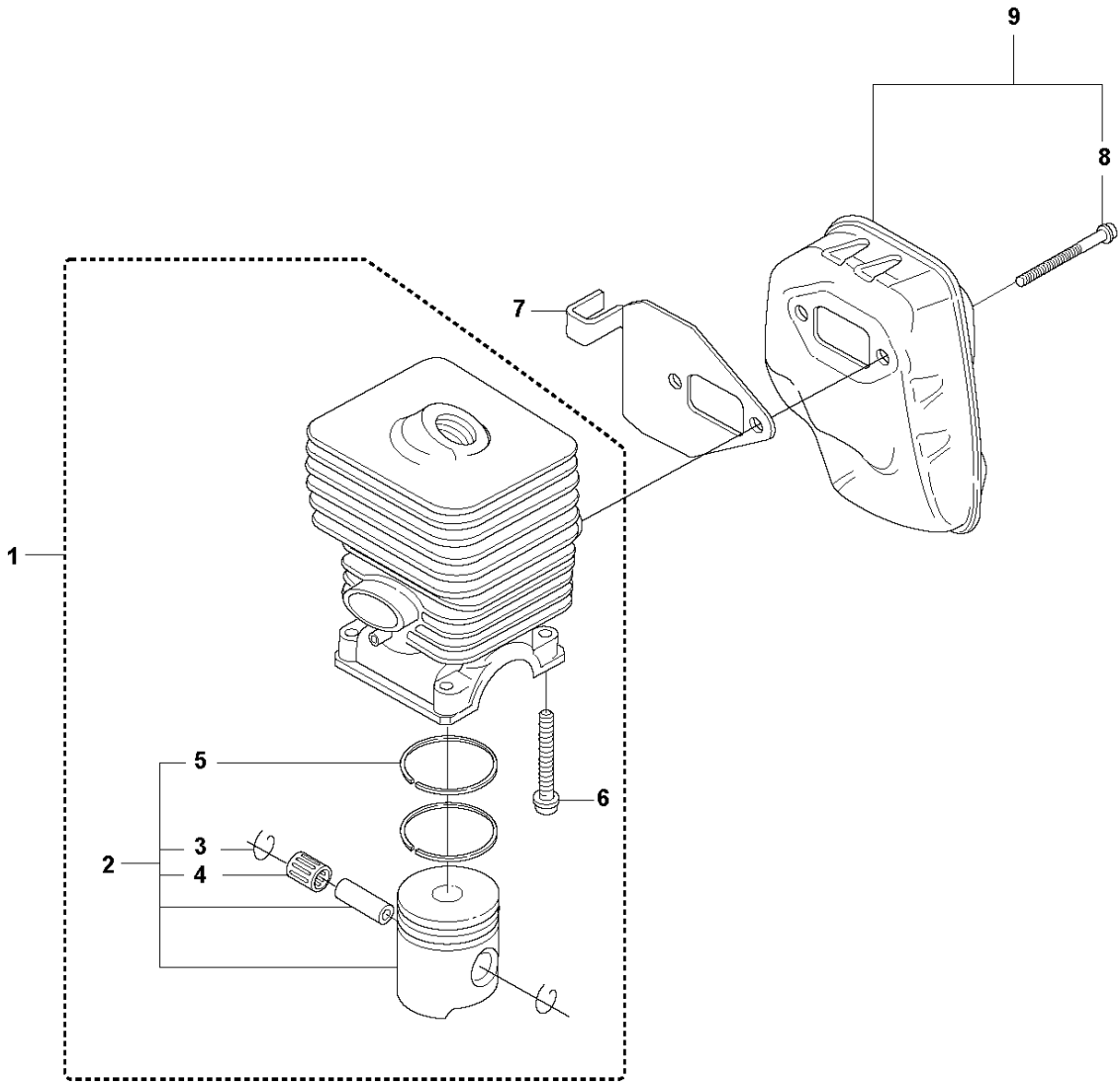


CRANKSHAFT

323 EX

Ref	Part No	Description	Remark	QTY	KIT
1	503 85 24-74	CRANKSHAFT ASSY		1	
2	503 94 02-01	BEARING CAGE		1	
3	503 83 61-01	BEARING CAGE		1	2
4	738 21 01-10	BALL BEARING		1	2
5	503 94 05-01	CUP		1	
6	503 71 22-01	BEARING		1	
7	503 94 05-01	CUP		1	
8	738 21 01-10	BALL BEARING		1	10
9	503 83 61-01	BEARING CAGE		1	10
10	503 94 02-01	BEARING CAGE		1	

K 323Ex
CYLINDER PISTON & MUFFLER

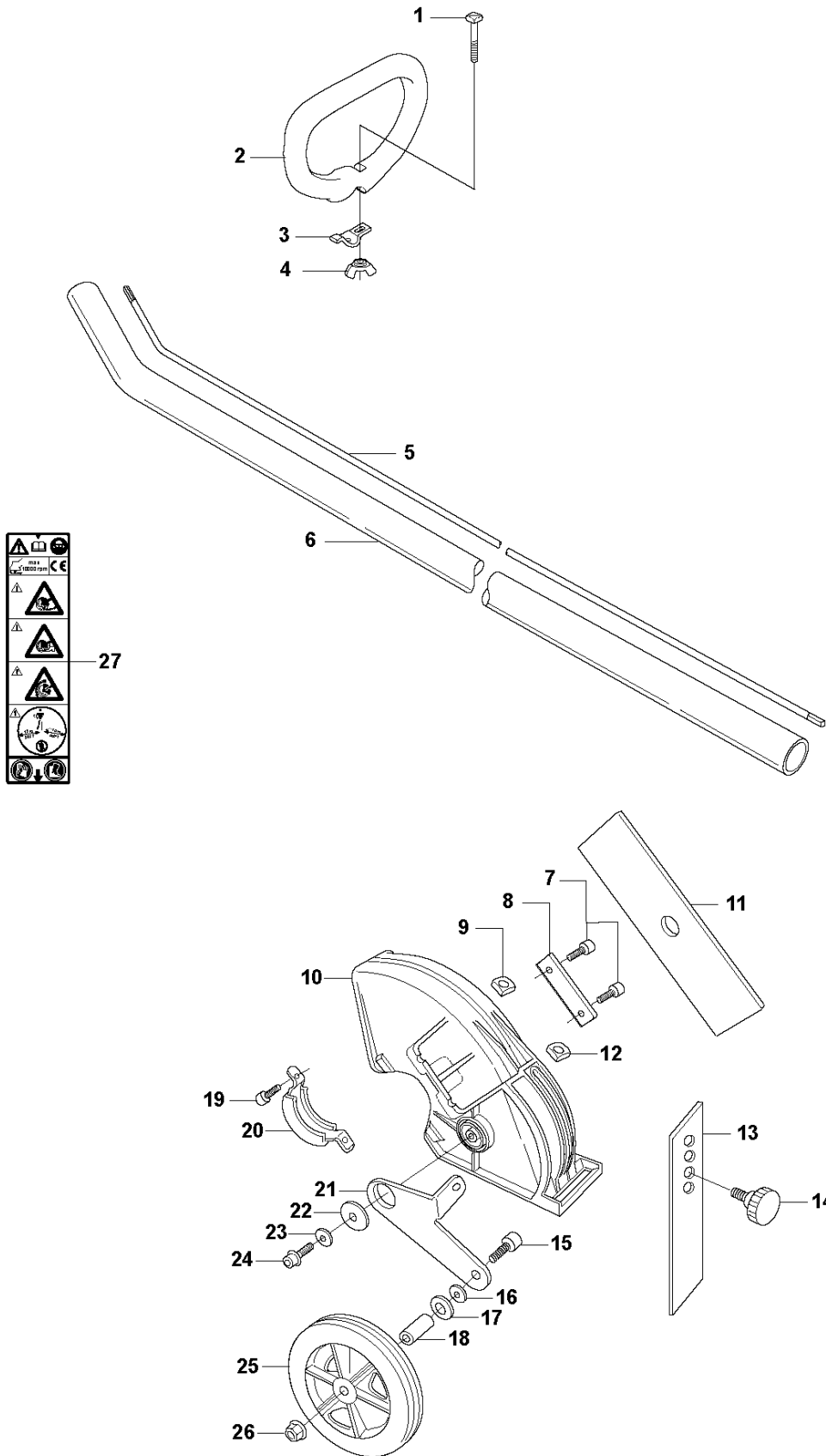


CYLINDER, PISTON & MUFFLER

323 EX

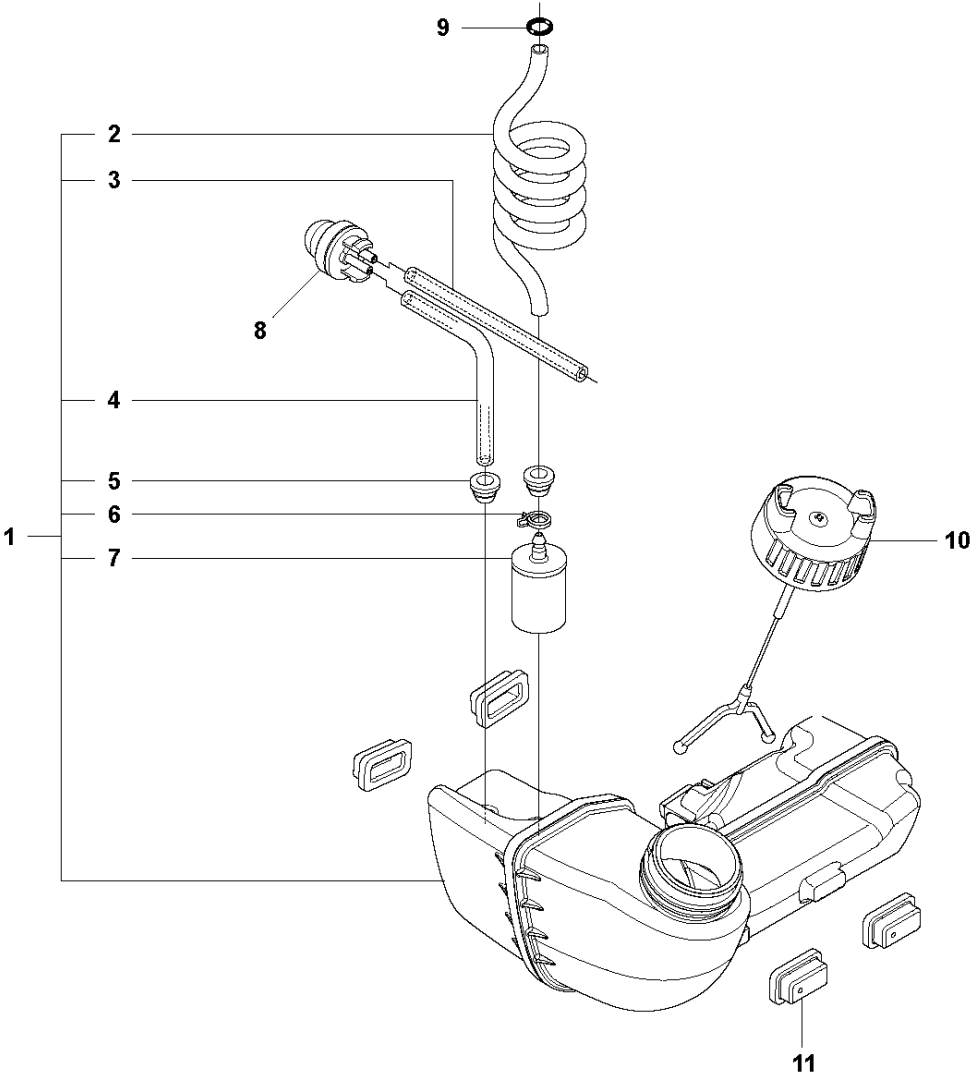
Ref	Part No	Description	Remark	QTY	KIT
1	537 03 20-05	PISTON		1	
2	537 01 32-75	PISTON		1	1
3	737 44 08-00	CIRCLIP		2	2, 1
4	503 71 22-01	BEARING		1	2, 1
5	503 28 90-41	PISTON RING		2	2, 1
6	503 20 07-35	SCREW IHSCFM		4	1
7	537 01 41-01	GASKET		1	
8	503 20 29-50	SCREW IHSCFM		2	
9	537 16 19-01	MUFFLER ASSY		1	

A 323Ex
EDGER ATTACHMENT



Ref	Part No	Description	Remark	QTY	KIT
1	503 21 98-35	SCREW		1	
2	537 07 68-02	HANDLE		1	1
3	537 04 25-01	ATTACHMENT PLATE		1	1
4	503 22 26-01	NUT		1	1
5	503 84 69-01	SHAFT		1	1
6	537 03 83-01	TUBE		1	1
7	503 20 07-25	SCREW IHSCFM		1	1
8	503 84 77-01	BASE PLATE		1	1
9	502 19 71-01	SQUARE NUT		1	1
10	503 84 65-01	PROTECTIVE COVER		1	1
11	503 84 82-02	EDGER BLADE		1	1
12	502 19 71-01	SQUARE NUT		1	1
13	503 84 68-01	SPLASH GUARD		1	1
14	503 84 80-01	STEERING WHEEL		1	1
15	725 54 61-51	SCREW IHSCM		1	1
16	734 11 64-01	WASHER		1	
17	503 26 15-01	SEALING RING		1	
18	503 84 73-01	PIPE		1	
19	725 53 68-56	SCREW IHSCM		2	
20	503 84 81-01	CLAMP		1	
21	503 84 67-01	BRACKET		1	
22	734 11 74-41	WASHER		1	
23	503 23 43-02	WASHER		1	
24	503 21 06-16	SCREW IHSCFT		1	
25	503 84 74-01	WHEEL		1	
26	503 22 00-01	HEXAGON NUT FLANGE		1	
27	587 11 18-01	LABEL		1	

G 323EX
FUEL TANK

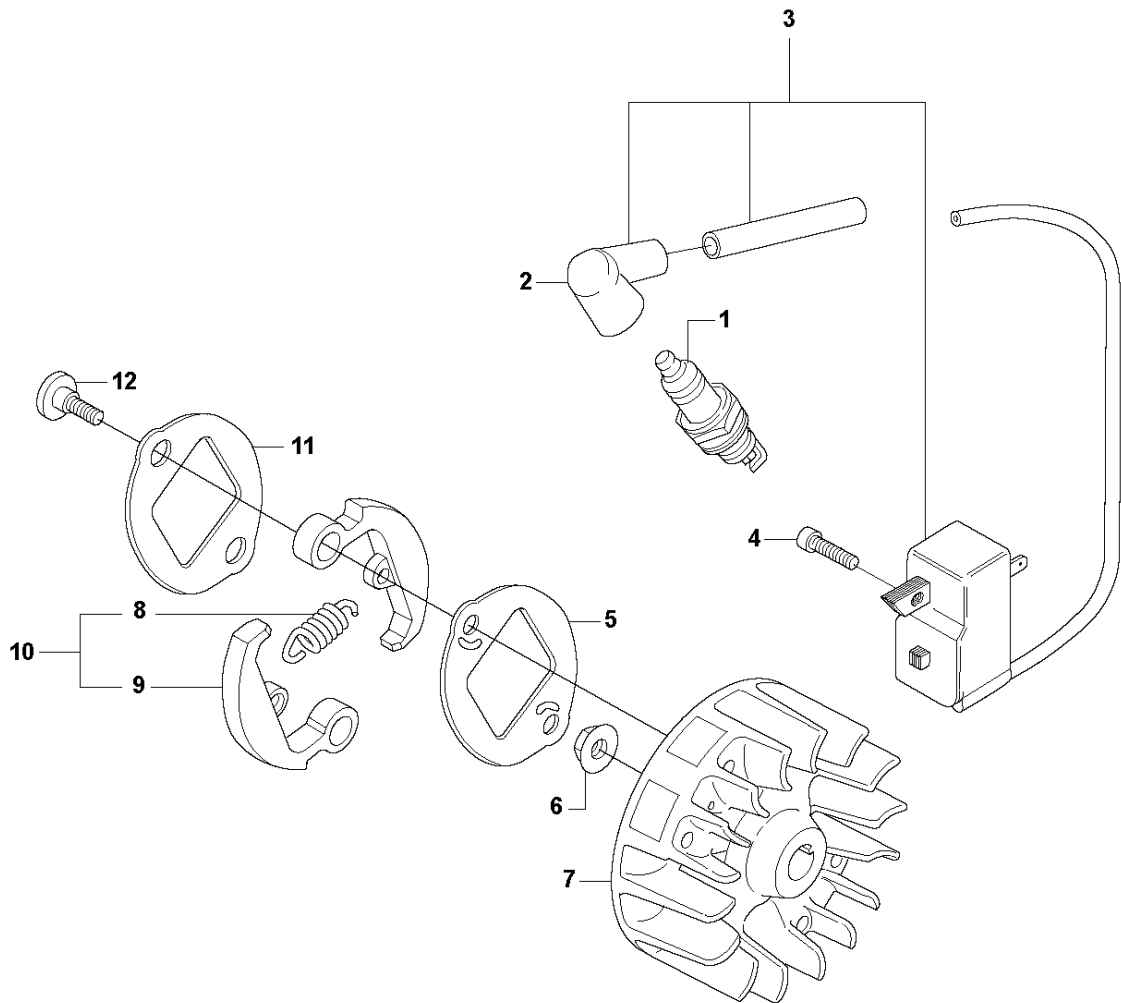


FUEL TANK

323 EX

Ref	Part No	Description	Remark	QTY	KIT
1	506 12 45-01	FUEL TANK ASSY		1	
2	544 32 50-01	FUEL HOSE		1	1
3	537 04 24-01	FUEL HOSE		1	1
4	537 04 24-01	FUEL HOSE		1	1
5	503 73 58-01	BUSHING		2	1
6	504 02 24-01	HOSE CLAMP		1	1
7	503 44 32-01	FILTER		1	1
8	503 93 66-01	PRIMER HOUSING		1	
9	537 18 49-01	O-RING		1	
10	544 88 97-02	TANK CAP		1	
11	503 91 10-01	SUSPENSION		4	

H 323Ex
IGNITION & CLUTCH

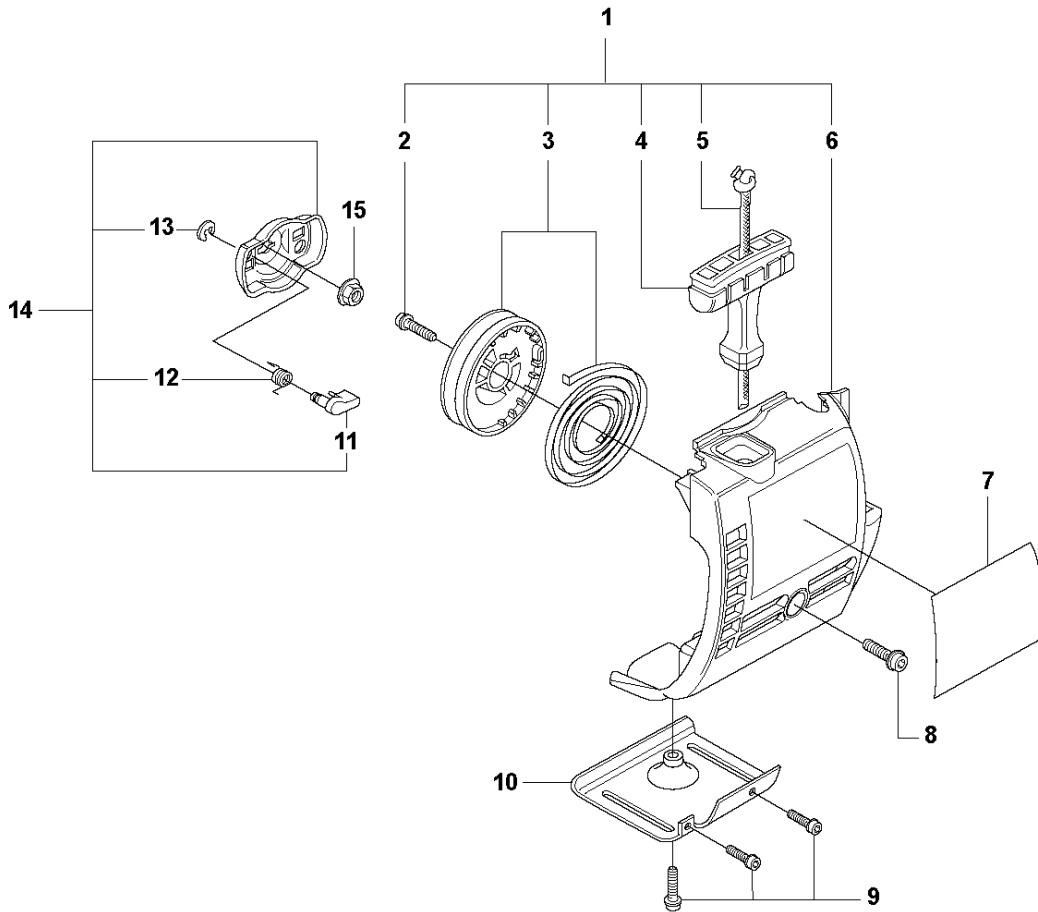


IGNITION SYSTEM & CLUTCH

323 EX

Ref	Part No	Description	Remark	QTY	KIT
1	503 23 51-08	SPARK PLUG		1	
2	501 48 54-02	SPARK PLUG CAP		1	
3	537 02 53-01	ELECTRONIC MODULE		1	
4	503 21 71-16	SCREW IHSCT		2	
5	537 04 68-01	WASHER		1	
6	731 71 16-51	HEXAGON NUT FLANGED		1	
7	503 87 28-01	FLYWHEEL		1	
8	503 81 60-01	CLUTCH SPRING		1	10
9	503 84 28-01	CLUTCH SHOE		2	10
10	537 03 22-01	CLUTCH ASSY		1	
11	537 04 67-01	WASHER		1	
12	503 84 29-01	SCREW		1	

F 323Ex
STARTER

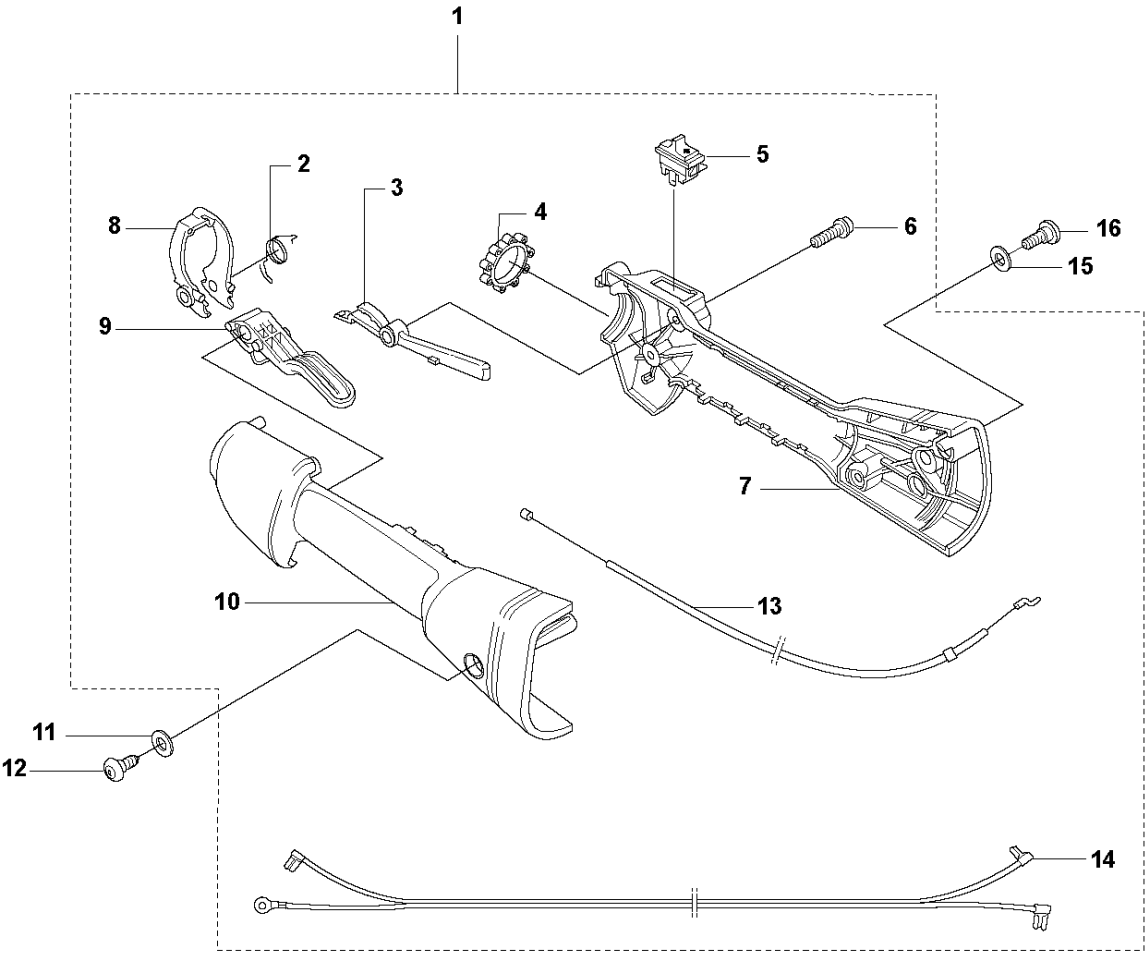


STARTER

323 EX

Ref	Part No	Description	Remark	QTY	KIT
1	503 85 28-01	STARTER ASSY		1	
2	503 21 77-16	SCREW IHSC T		1	1
3	503 96 49-01	STARTER PULLEY		1	1
4	537 00 84-01	STARTER HANDLE		1	1
5	503 85 89-01	STARTER CORD		1	1
6	503 85 87-01	STARTER HOUSING		1	1
7	537 35 34-69	LABEL		1	
8	503 21 68-20	SCREW IHSC FT		1	
9	503 21 66-20	SCREW IHSC T		3	
10	537 03 41-01	PROTECTIVE PLATE		1	
11	503 87 35-02	STARTER PAWL		1	14
12	503 87 36-01	SPRING		1	14
13	735 31 08-20	E-CLIP		1	14
14	503 87 33-02	STARTER PAWL BRIDGE		1	
15	731 71 16-51	HEXAGON NUT FLANGED		1	

C 323Ex
THROTTLE CONTROLS



THROTTLE CONTROLS

323 EX

Ref	Part No	Description	Remark	QTY	KIT
1	503 85 29-02	HANDLE		1	
2	537 01 13-01	RECOIL SPRING		1	1
3	503 87 80-01	THROTTLE LOCKOUT		1	1
4	503 96 14-01	VIBRATION ABSORBER		1	1
5	503 71 82-01	SWITCH		1	1
6	503 21 66-20	SCREW IHCT		5	1
7	503 99 55-01	HANDLE HALF RIGHT		1	1
8	503 91 81-01	THROTTLE LEVER		1	1
9	503 87 79-01	THROTTLE TRIGGER		1	1
10	503 99 56-01	HANDLE HALF		1	1
11	740 42 06-00	O-RING		1	
12	503 96 13-01	SCREW		1	
13	503 87 86-01	THROTTLE WIRE ASSY		1	1
14	503 87 85-01	SHORT CIRCUIT CABLE		1	1
15	740 42 06-00	O-RING		1	
16	503 96 13-01	SCREW		1	

Illustrated Parts List - IPL Update



Product Name(s)

323 E X-SERIES

Description of change

Warning label change

Comments

Fully exchangeable

Introduced from

Serial number / Date	Remark
2014-08	Label 587 11 18-01

IPL updates

Page Title	Ref. no	New part no	Name	Excl. part no.	Remark
Edger attachments	27	587 11 18-01	Label	503 84 78-01	