

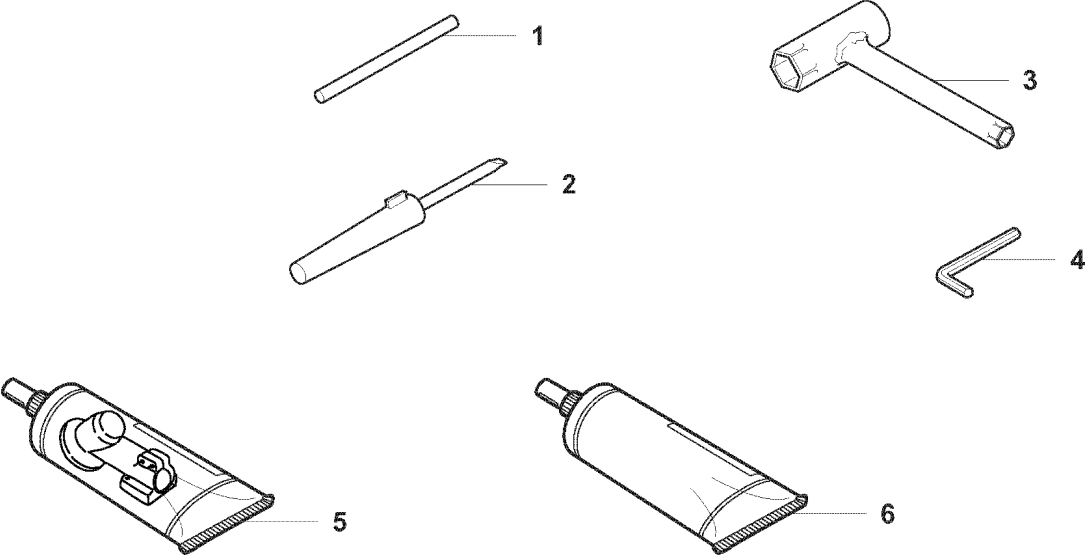


# SPARE PARTS LIST

TRIMMERS/EDGERS

326 ES

**N** 326ES

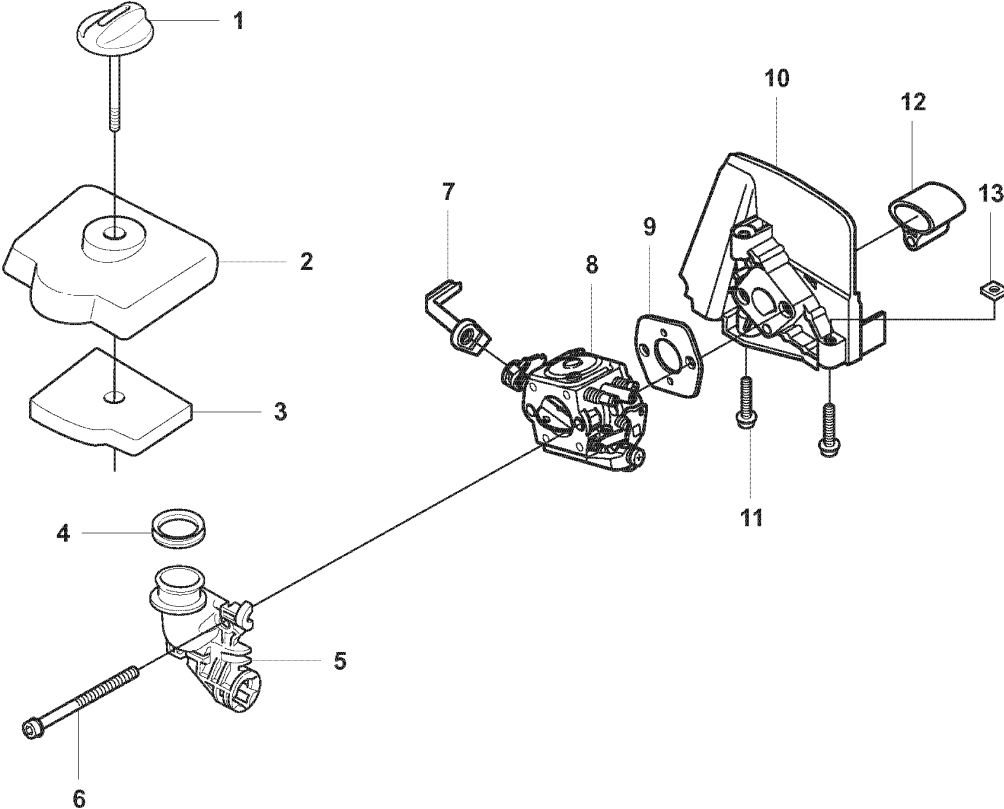


## ACCESSORIES

326 ES

Ref	Part No	Description	Remark	QTY KIT
1	502 28 59-01	STOP		1
2	501 60 02-03	SCREWDRIVER		1
3	502 11 46-02	SOCKET WRENCH		1
4	502 21 58-01	L-NYCKEL		1
5	503 97 64-01	GREASE		1
6	503 80 17-01	GREASE		1

D 326ES

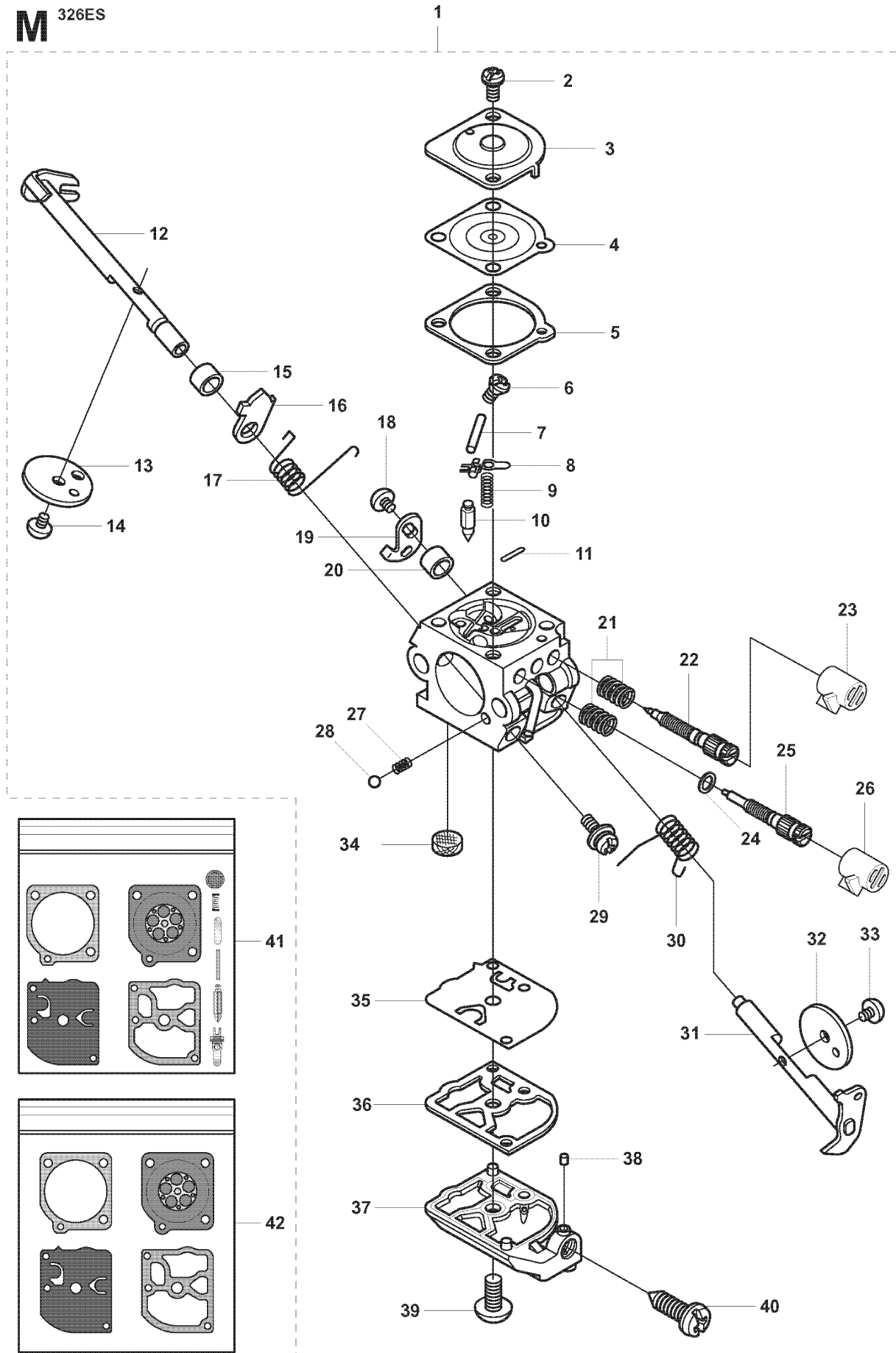


## CARBURETOR &amp; AIR FILTER

326 ES

Ref	Part No	Description	Remark	QTY KIT
1	537 21 32-10	KNOB		1
2	537 06 63-02	FILTER COVER		1
3	537 14 31-01	AIR FILTER ASSY		1
4	740 68 11-21	V-RING		1
5	537 05 78-01	BRACKET		1
6	503 21 75-50	SCREW IHSCFT		2
7	503 96 25-01	CHOKE CONTROL		1
8	503 28 34-01	CARBURETTOR		1
9	503 49 71-01	GASKET		1
10	503 91 09-01	INSULATION WALL		1
11	503 20 03-25	SCREW IHSCFM		2
12	503 94 26-01	INLET PIPE		1
13	503 22 65-04	SQUARE NUT		2

**M** 326ES

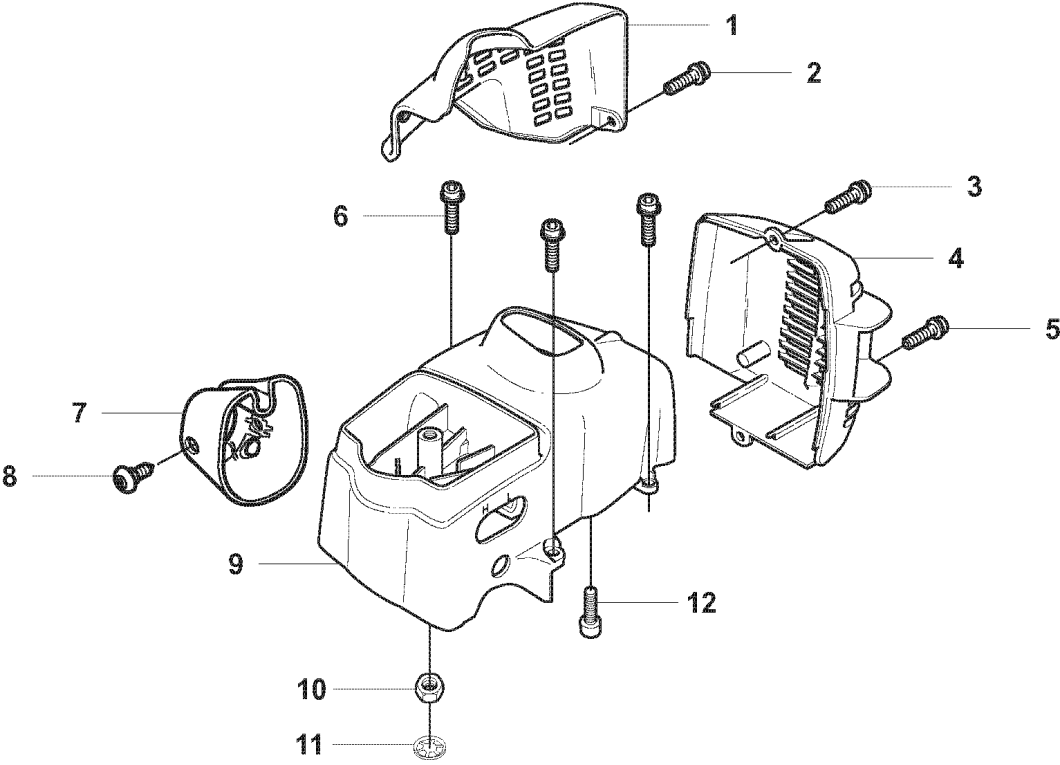


## CARBURETOR DETAILS

326 ES

Ref	Part No	Description	Remark	QTY KIT
1	503 28 34-01	CARBURETTOR		1
2	503 48 05-01	SCREW		2
3	503 97 43-01	COVER		1
4	537 04 89-01	DIAPHRAGM		1
5	537 02 04-01	GASKET		1
6	503 48 01-01	SCREW		1
7	503 48 00-01	PIN RETAINING SCREW		1
8	503 66 59-01	LEVER		1
9	537 02 03-01	SPRING		1
10	503 47 97-01	VALVE		1
11	537 02 08-01	PLUG		1
12	537 37 03-01	VALVE		1
13	537 37 03-01	VALVE		1
14	503 48 18-01	SCREW		1
15	503 48 19-01	COLLAR		1
16	537 04 90-01	LEVER		1
17	503 47 90-01	SCREW		1
18	537 02 10-01	SPRING		1
19	537 01 98-01	LEVER		1
20	503 47 89-01	COLLAR		1
21	503 48 08-01	SPRING		1
22	537 12 78-01	SCREW		1
23	537 02 16-01	LIMITER CAP		2
24	503 97 40-01	WASHER		1
25	537 02 16-01	LIMITER CAP		2
26	537 02 06-01	SCREW		1
27	537 01 26-01	SPRING		1
28	537 01 25-01	BALL		1
29	503 75 53-01	SCREW		1
30	537 01 97-01	SPRING		1
31	537 01 96-01	SHAFT ASSY		1
32	537 01 99-01	VALVE		1
33	503 47 92-01	SCREW		1
34	503 53 57-01	STRAINER		1
35	537 02 00-01	DIAPHRAGM PUMP		1
36	537 02 01-01	GASKET PUMP		1
37	537 02 02-01	COVER		1
38	503 48 11-01	PIECE		1
39	503 47 96-01	SCREW		1
40	537 02 07-01	SCREW		1
41	531 00 45-52	GASKET KIT		1
42	531 00 45-53	SET		1

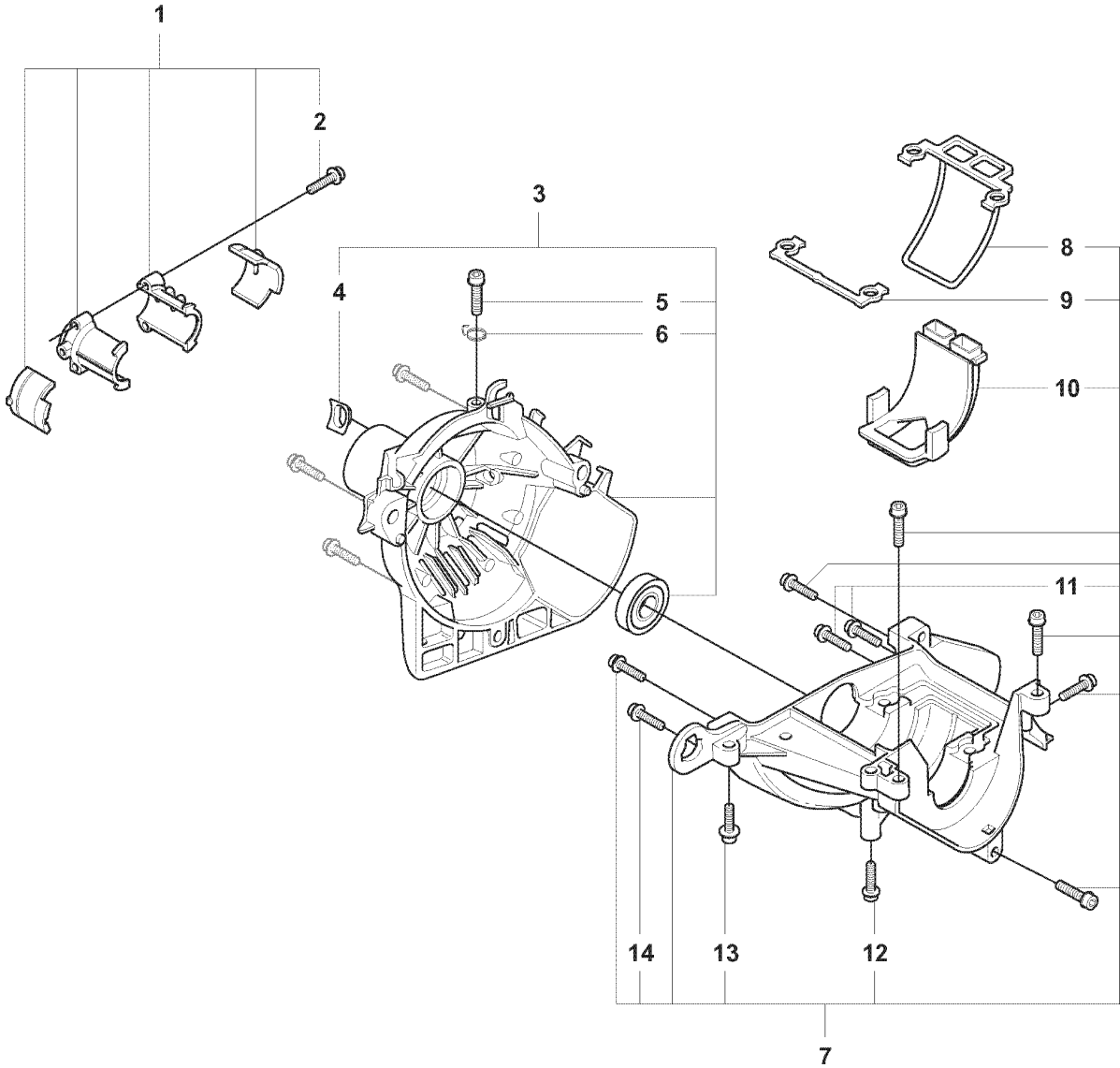
**C** 326ES





Ref	Part No	Description	Remark	QTY KIT
1	537 06 66-01	ARM PROTECTION		1
2	503 21 68-20	SCREW IHSCFT		1
3	503 21 68-20	SCREW IHSCFT		1
4	537 06 65-02	HEAT PROTECTOR		1
5	503 21 68-20	SCREW IHSCFT		3
5	503 20 03-16	SCREW IHSCFM		3
6	503 21 68-20	SCREW IHSCFT		3
6	503 20 03-16	SCREW IHSCFM		3
7	503 97 21-01	COVER		1
8	503 96 13-01	SCREW		2
9	537 06 61-02	CYLINDER COVER		1
10	503 22 24-01	LOCKING NUT		1
11	544 90 85-01	WASHER		1
12	503 21 71-16	SCREW IHSCFT		1

L 326ES

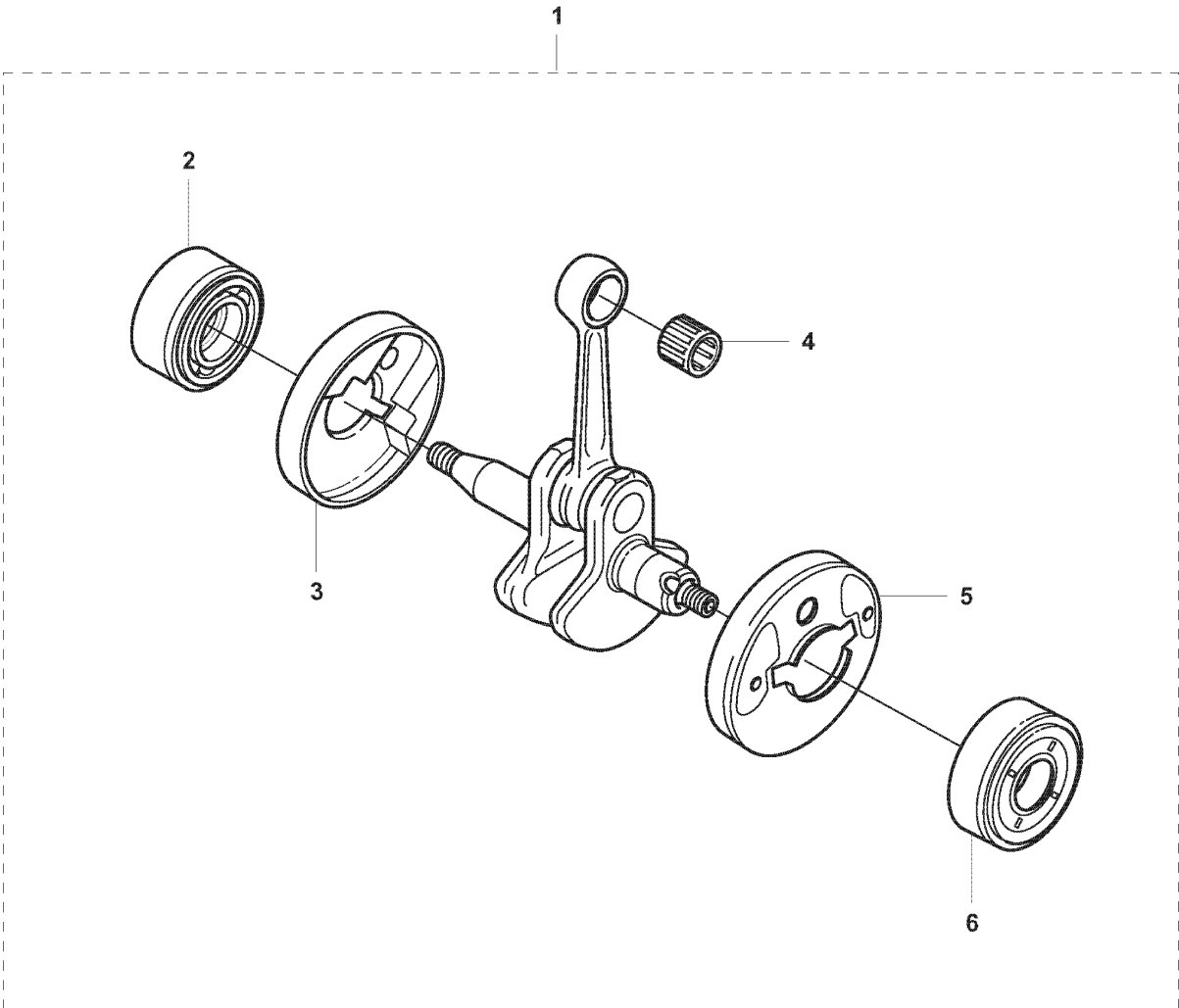


## CRANKCASE

326 ES

Ref	Part No	Description	Remark	QTY KIT
1	537 30 96-01	COMPRESSION SLEEVE		1
2	503 21 68-25	SCREW IHSCFT		2
3	537 04 12-07	CLUTCH COVER		1
4	537 42 50-01	PROTECTIVE PLATE		1
5	503 20 03-16	SCREW IHSCFM		1
6	537 07 36-01	SPRING		1
7	537 08 52-02	CRANKCASE		1
8	537 06 69-01	GASKET CRANKCASE		1
9	537 08 85-01	GASKET		1
10	537 06 68-01	INSERT CRANKCASE		1
11	503 21 66-18	SCREW IHST		1
12	503 20 14-12	SCREW IHSCFMO		1
13	503 21 77-16	SCREW IHST		1
14	503 20 03-16	SCREW IHSCFM		8

**J** 326ES

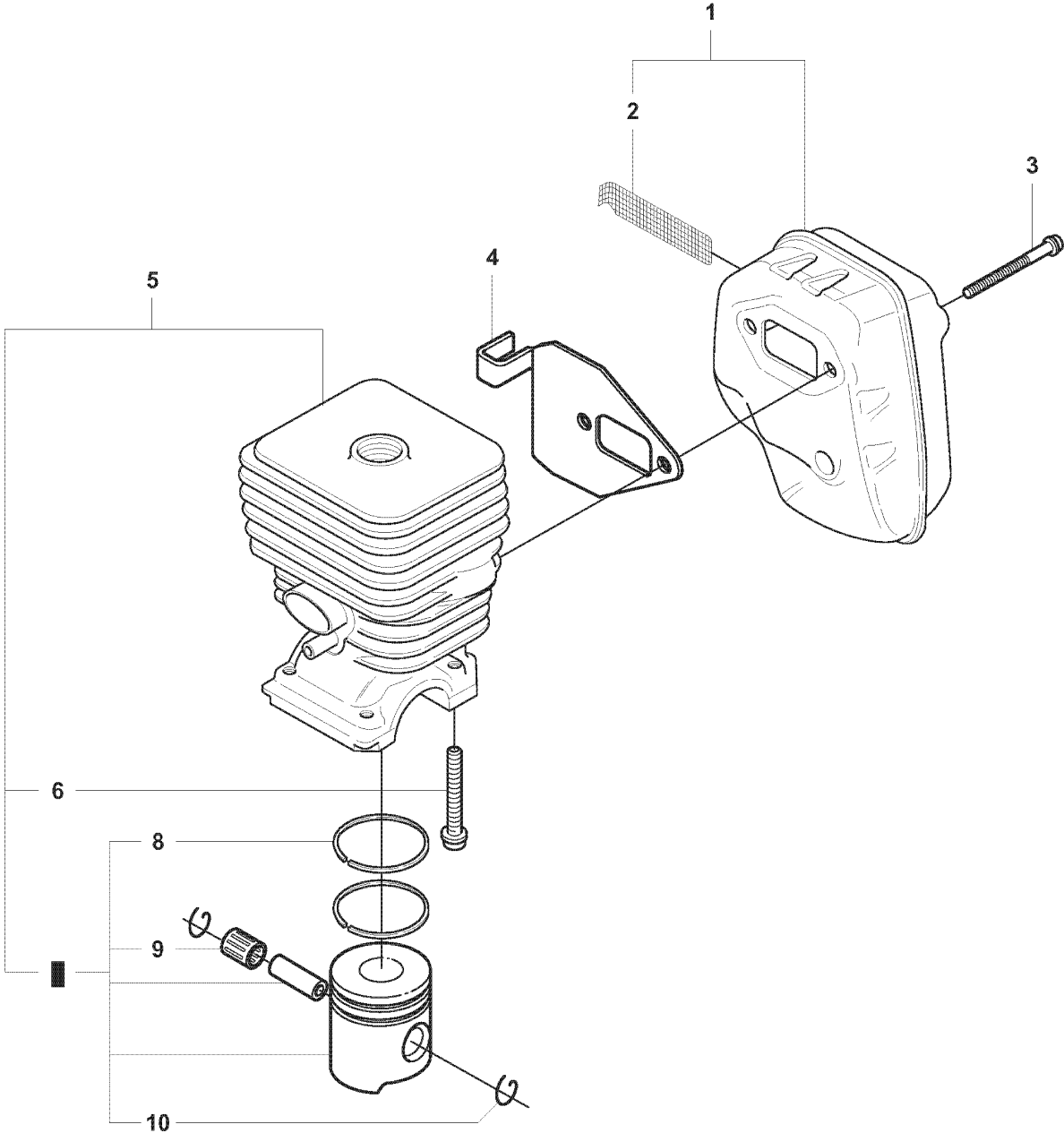


CRANKSHAFT

326 ES

Ref	Part No	Description	Remark	QTY KIT
1	503 85 24-74	CRANKSHAFT ASSY		1
2	503 94 02-03	BEARING CAGE		1
3	503 94 05-01	CUP		1
4	503 71 22-01	BEARING		1
5	503 94 05-01	CUP		1
6	503 94 02-03	BEARING CAGE		1

**K** 326ES

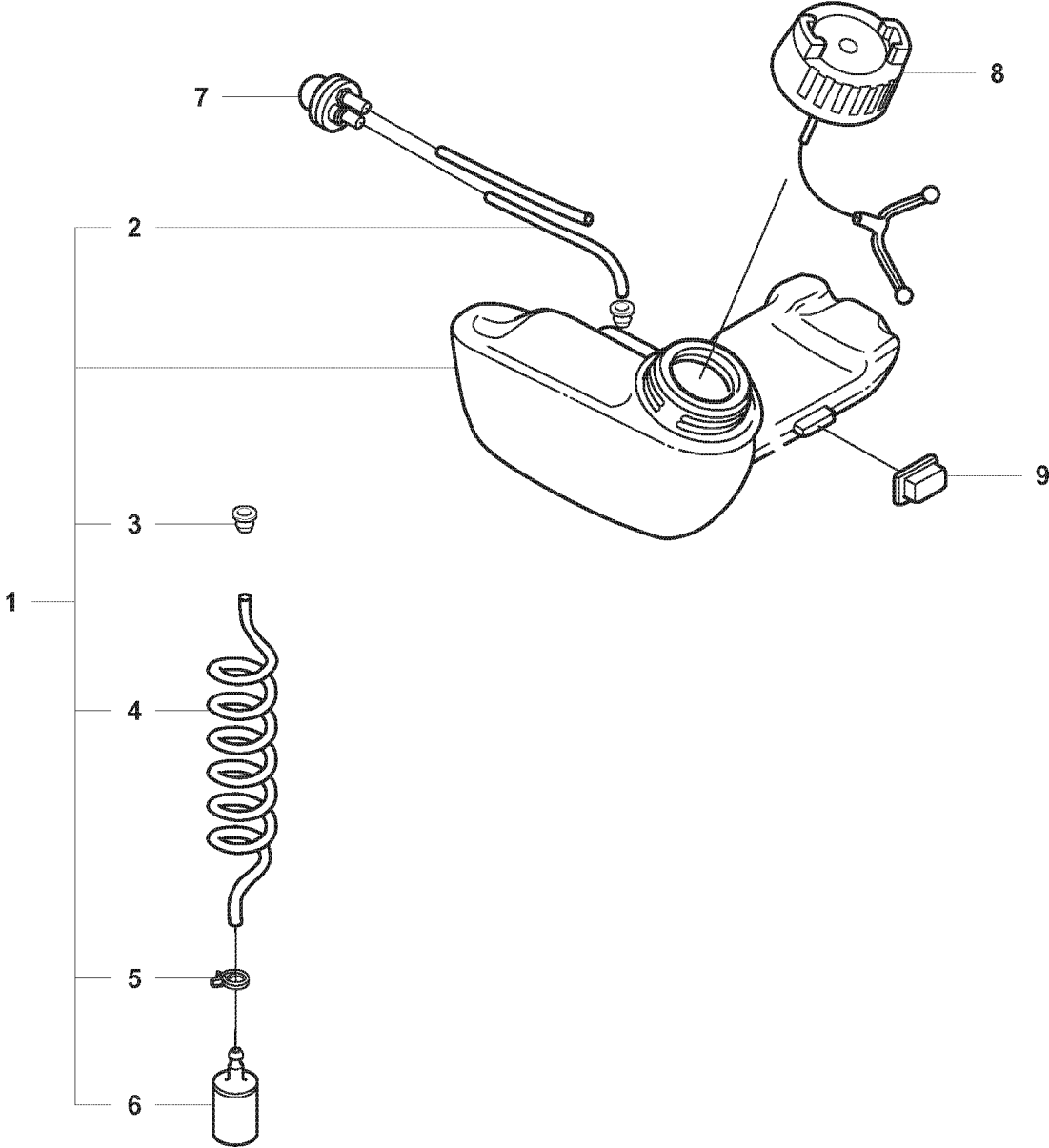


## CYLINDER PISTON

326 ES

Ref	Part No	Description	Remark	QTY KIT
1	537 22 17-03	MUFFLER ASSY		1
2	537 22 18-01	SPARK ARRESTOR SCREEN		1
3	503 20 29-56	SCREW IHSCFM		3
4	537 01 41-01	GASKET		1
5	537 08 51-02	PISTON		1
6	503 20 07-35	SCREW IHSCFM		4
7	537 40 59-02	PISTON		1
8	537 40 62-01	PISTON RING		2
9	503 71 22-01	BEARING		1
10	737 44 08-00	CIRCLIP		2

**G** 326ES



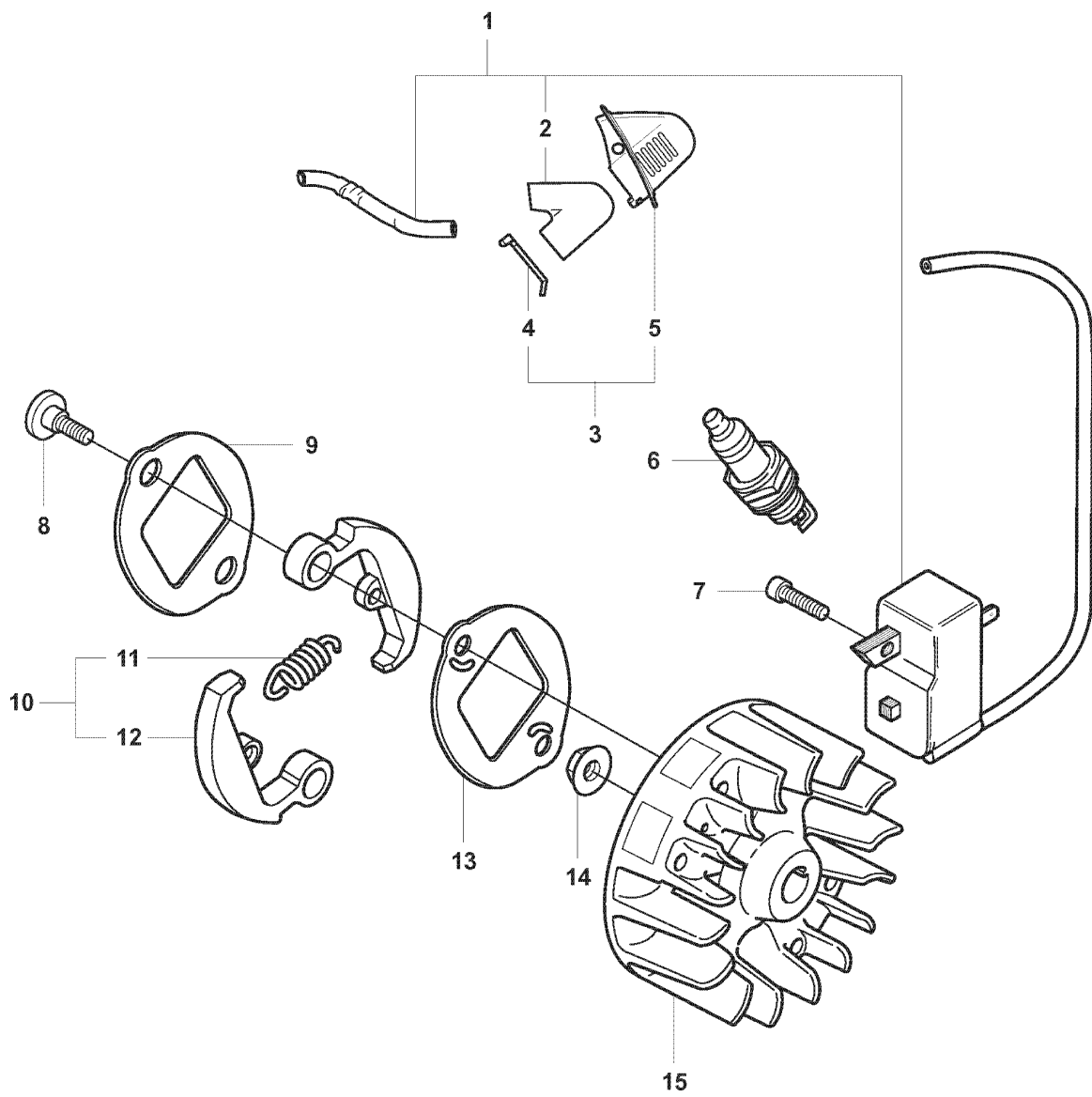


## FUEL TANK

326 ES

Ref	Part No	Description	Remark	QTY KIT
1	537 06 86-02	FUEL TANK		1
2	537 04 24-01	FUEL HOSE		2
3	503 73 58-01	BUSHING		2
4	544 32 50-01	FUEL HOSE		1
5	504 02 24-01	HOSE CLAMP		1
6	503 44 32-01	FILTER		1
7	503 93 66-01	PRIMER HOUSING		1
8	503 91 18-02	TANK CAP		1
9	503 91 10-01	SUSPENSION		4

**H** 326ES

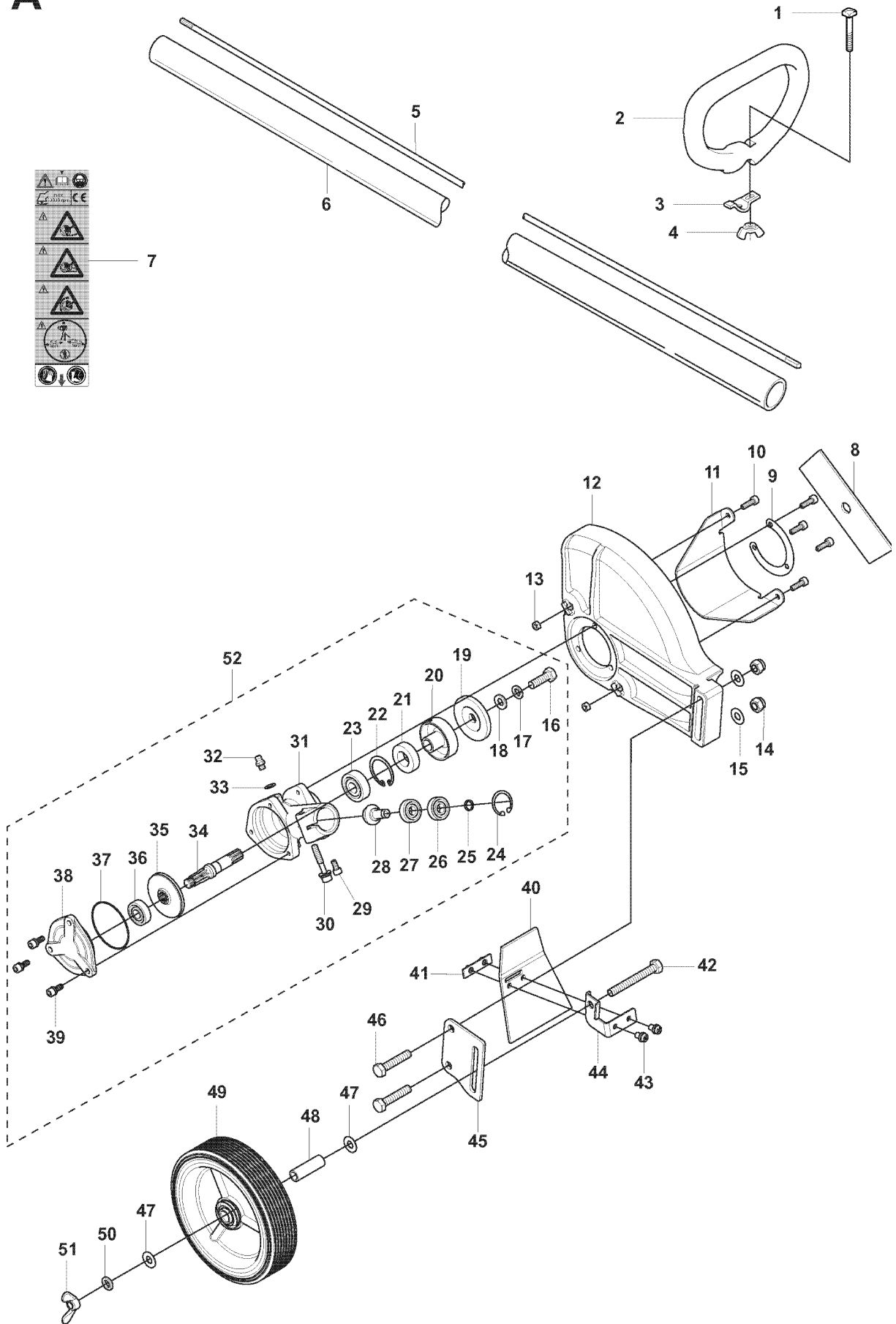


## IGNITION SYSTEM &amp; CLUTCH

326 ES

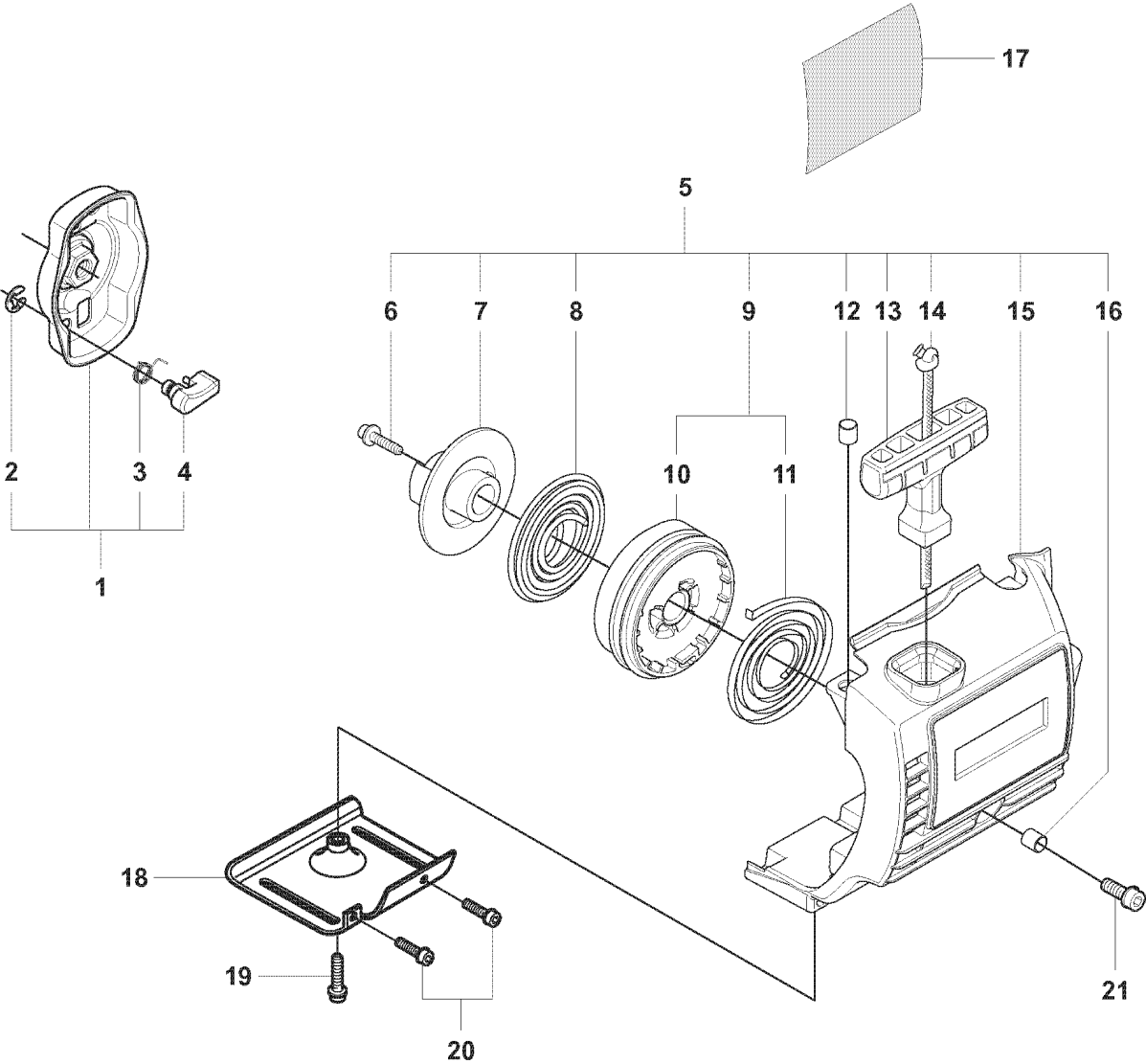
Ref	Part No	Description	Remark	QTY KIT
1	537 41 87-01	ELECTRONIC MODULE		1
2	537 23 96-01	SPARK PLUG CAP		1
3	537 06 33-02	COVER		1
4	537 09 17-01	SECURING PLATE		1
5	537 06 44-03	COVER		1
6	503 23 51-09	SPARK PLUG		1
7	503 21 71-16	SCREW IHSCT		2
8	503 84 29-02	SCREW		2
9	537 04 67-02	WASHER		1
10	537 03 22-01	CLUTCH ASSY		1
11	503 81 60-01	CLUTCH SPRING		1
12	503 84 28-01	CLUTCH SHOE		2
13	537 04 68-02	WASHER		1
14	731 71 16-51	HEXAGON NUT FLANGED		1
15	537 24 96-02	FLYWHEEL		1

**A** 326ES



Ref	Part No	Description	Remark	QTY KIT
1	503 21 98-35	SCREW		1
2	537 07 68-02	HANDLE		1
3	537 04 25-01	ATTACHMENT PLATE		1
4	503 22 26-01	NUT		1
5	537 23 48-01	DRIVE SHAFT		1
6	503 88 88-01	TUBE		1
7	587 11 18-01	LABEL		1
8	503 84 82-02	EDGER BLADE		1
9	505 17 19-01	PLATE		1
10	505 17 18-01	BOLT		5
11	505 17 20-01	PROTECTIVE PLATE		1
12	505 17 17-01	GUARD		1
13	505 17 23-01	NUT		2
14	505 17 48-01	NUT		2
15	505 17 50-01	WASHER		2
16	505 16 96-01	BOLT		1
17	505 16 97-01	SPRING WASHER		1
18	505 16 98-01	WASHER		1
19	505 17 14-01	HOLDER(B)		1
20	505 17 12-01	HOLDER(A)		1
21	505 16 87-01	SEAL		1
22	505 16 88-01	LOCK RING		1
23	505 16 86-01	BEARING		1
24	505 16 94-01	LOCK RING		1
25	505 16 95-01	LOCK RING		1
26	505 16 93-01	BEARING		1
27	505 16 92-01	BEARING		1
28	505 16 91-01	PINION		1
29	505 16 99-01	BOLT		1
30	505 17 00-01	SCREW		1
31	505 16 84-01	HOUSING		1
32	505 17 15-01	FITTING		1
33	505 17 16-01	WASHER		1
34	505 16 89-01	SHAFT		1
35	505 16 90-01	GEAR WHEEL		1
36	505 17 02-01	BEARING		1
37	505 16 85-01	O-RING		1
38	505 17 01-01	COVER		1
39	505 17 06-01	SCREW		3
40	505 17 37-01	RUBBER		1
41	505 17 36-01	PLATE		1
42	505 17 26-01	BOLT		1
43	505 17 39-01	SCREW		2
44	505 17 35-01	BRACKET		1
45	505 17 46-01	BLADE GUARD BRACKET		1
46	505 17 47-01	SCREW		2
47	505 17 30-01	WASHER		2
48	505 17 33-01	SLEEVE		1
49	505 17 25-01	WHEEL		1
50	505 17 29-01	SPRING WASHER		1
51	505 17 31-01	WING NUT		1
52	505 16 83-01	GEAR		1

**E** 326ES

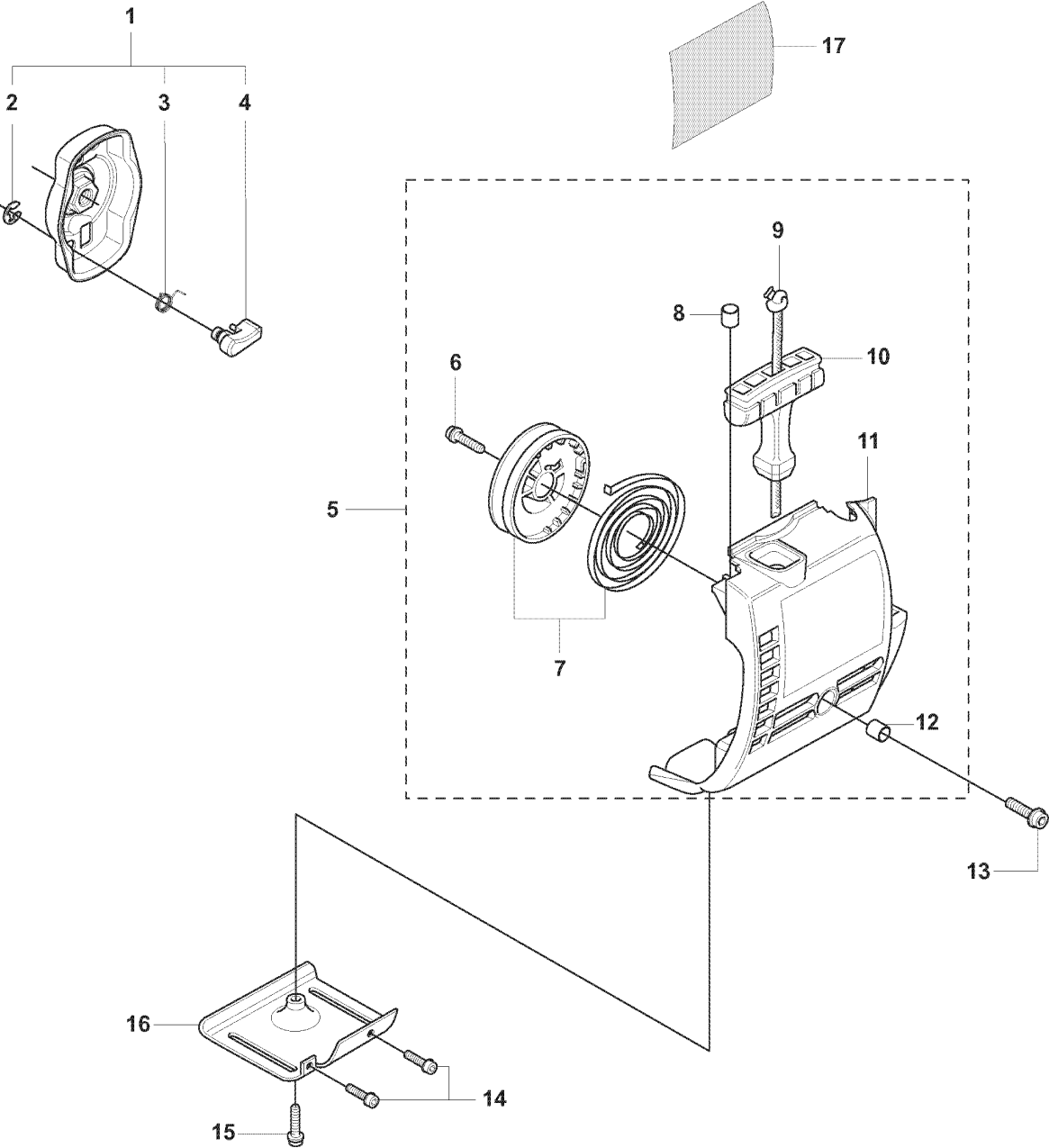


## STARTER

326 ES

Ref	Part No	Description	Remark	QTY KIT
1	503 87 33-05	STARTER PAWL BRIDGE		1
2	735 31 08-20	E-CLIP		2
3	503 87 36-01	SPRING		2
4	503 87 35-02	STARTER PAWL		2
5	544 07 11-02	STARTER ASSY		1
6	503 21 77-25	SCREW IH SCT		1
7	544 03 87-01	DRIVER		1
8	544 03 88-01	SPRING		1
9	544 16 65-01	STARTER PULLEY ASSY		1
10	544 03 86-01	STARTER PULLEY		1
11	503 85 90-01	RECOIL SPRING		1
12	537 37 93-02	SPACING SLEEVE		2
13	537 00 84-01	STARTER HANDLE		1
14	503 85 89-01	STARTER CORD		1
15	537 41 16-01	STARTER HOUSING		1
16	537 37 93-02	SPACING SLEEVE		1
18	537 03 41-01	PROTECTIVE PLATE		1
19	503 20 03-16	SCREW IHSCFM		1
20	503 21 66-18	SCREW IH SCT		1
21	503 21 68-20	SCREW IHSCFT		1
21	503 20 03-16	SCREW IHSCFM		1

F



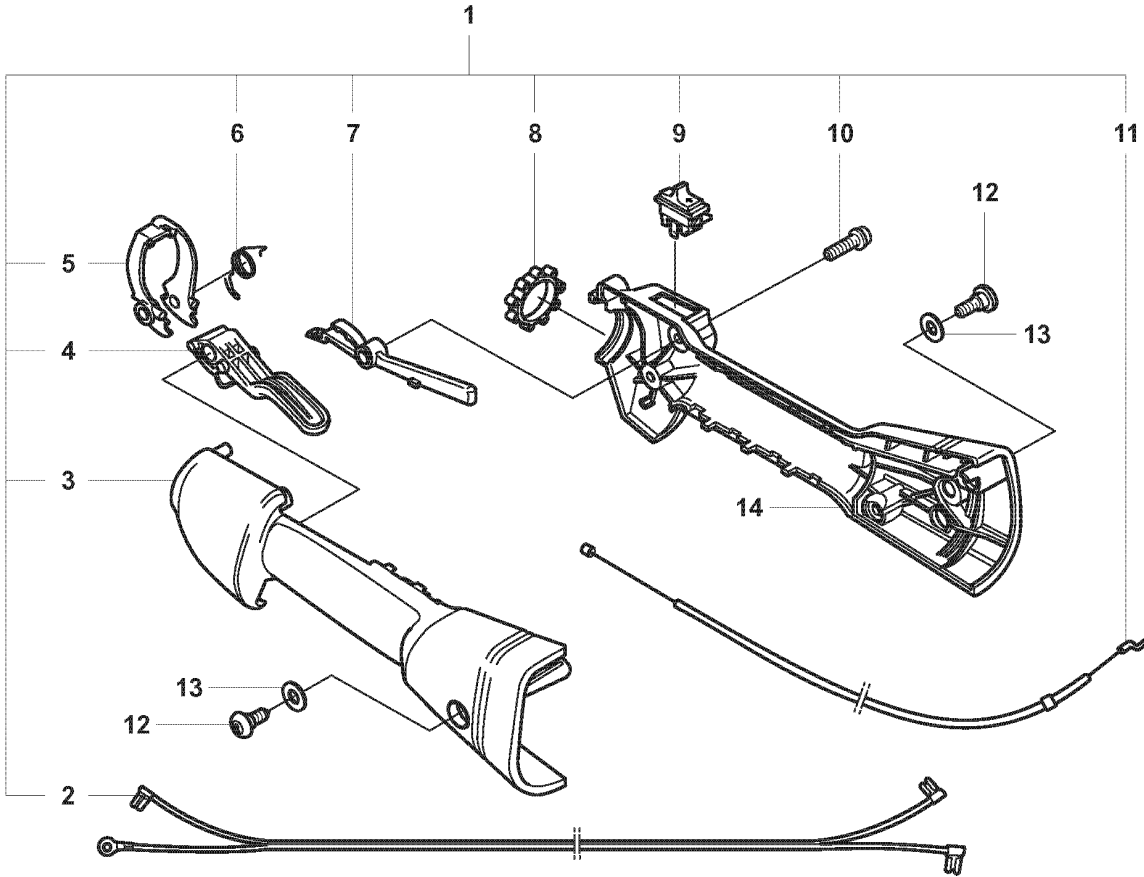


## STARTER

326 ES

Ref	Part No	Description	Remark	QTY KIT
1	503 87 33-05	STARTER PAWL BRIDGE		1
2	735 31 08-20	E-CLIP		2
3	503 87 36-01	SPRING		2
4	503 87 35-02	STARTER PAWL		2
5	503 85 28-06	STARTER ASSY		1
6	503 21 77-16	SCREW IH SCT		1
7	503 96 49-01	STARTER PULLEY		1
8	537 37 93-02	SPACING SLEEVE		2
9	503 85 89-01	STARTER CORD		1
10	537 00 84-01	STARTER HANDLE		1
11	503 85 87-02	STARTER HOUSING		1
12	537 37 93-02	SPACING SLEEVE		1
13	503 20 03-16	SCREW IHSCFM		1
14	503 21 66-18	SCREW IH SCT		2
15	503 20 03-16	SCREW IHSCFM		1
16	537 03 41-01	PROTECTIVE PLATE		1

**B** 326ES



## THROTTLE CONTROLS

326 ES

Ref	Part No	Description	Remark	QTY KIT
1	503 85 29-02	HANDLE		1
2	537 41 42-01	SHORT CIRCUIT CABLE		1
3	503 99 56-01	HANDLE HALF		1
4	503 87 79-03	THROTTLE TRIGGER		1
5	503 91 81-01	THROTTLE LEVER		1
6	537 01 13-01	RECOIL SPRING		1
7	503 87 80-01	THROTTLE LOCKOUT		1
8	503 96 14-01	VIBRATION ABSORBER		1
9	537 41 90-01	SWITCH		1
10	503 21 66-18	SCREW IH SCT		5
11	544 17 17-01	THROTTLE WIRE ASSY		1
12	503 96 13-01	SCREW		1
13	740 42 06-00	O-RING		1
14	503 99 55-01	HANDLE HALF RIGHT		

# Illustrated Parts List - IPL Update



Product Name(s)

**326 ES**

Description of change

Warning label changed.

Comments

Fully exchangeable

Introduced from

<b>Serial number / Date</b>	<b>Remark</b>
2014-08	Label 587 11 18-01

IPL updates

<b>Page Title</b>	<b>Ref. no</b>	<b>New part no</b>	<b>Name</b>	<b>Excl. part no.</b>	<b>Remark</b>
Shaft & handle	7	587 11 18-01	Label	503 84 78-01	