

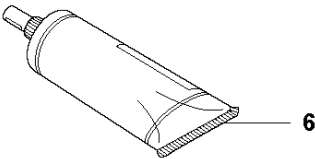
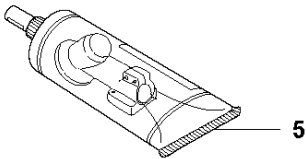
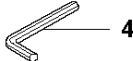
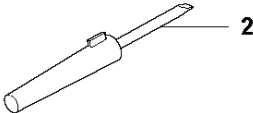
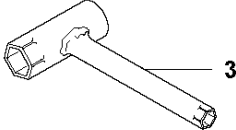
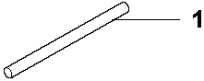


# SPARE PARTS LIST

TRIMMERS/EDGERS

327 ES from 2014-12

**L** 327ES



## ACCESSORIES

327 ES from 2014-12

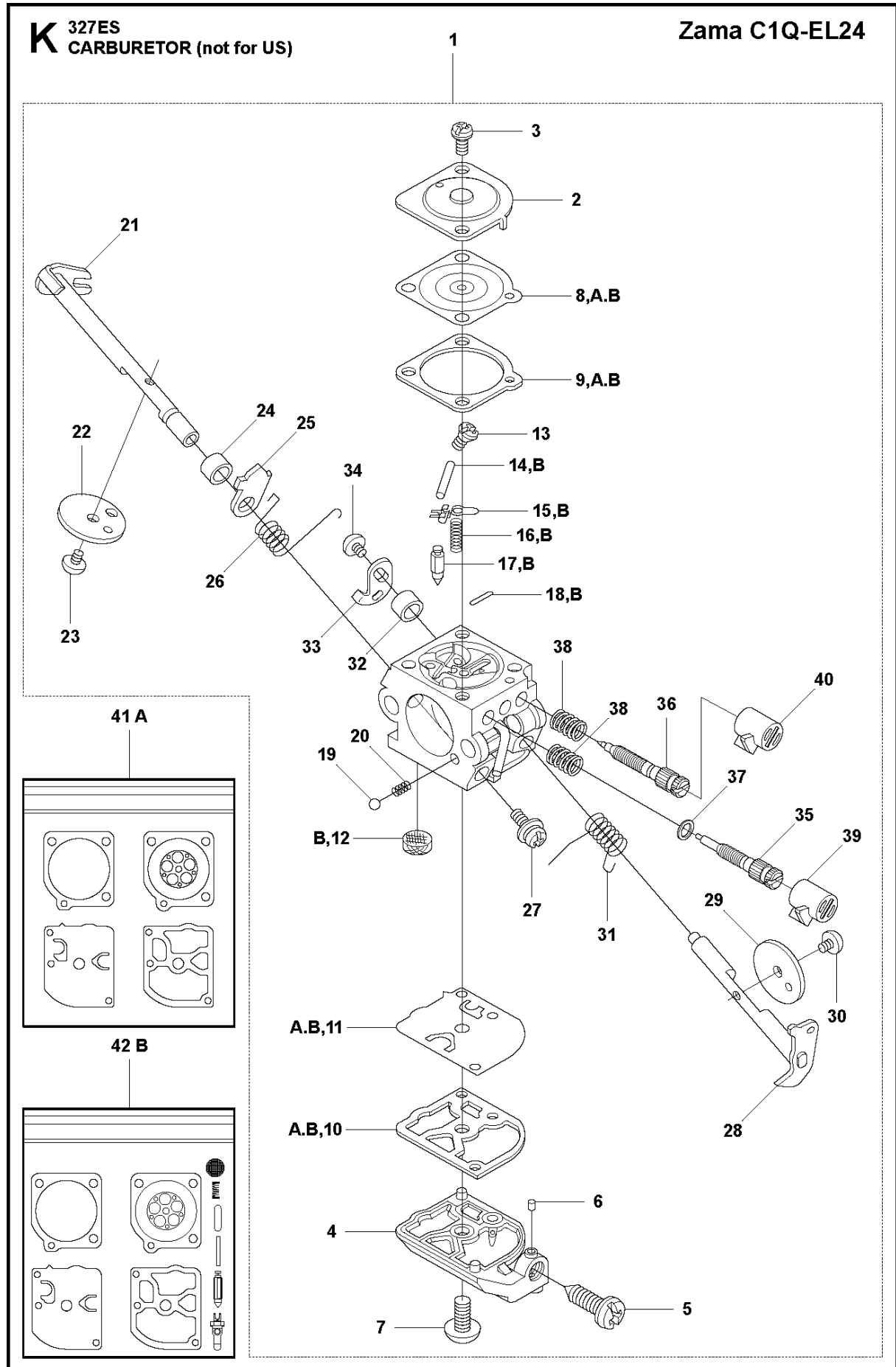
| Ref | Part No      | Description   | Remark | QTY KIT |
|-----|--------------|---------------|--------|---------|
| 1   | 502 28 59-01 | STOP          |        | 1       |
| 2   | 501 60 02-03 | SCREWDRIVER   |        | 1       |
| 3   | 502 11 46-02 | SOCKET WRENCH |        | 1       |
| 4   | 502 21 58-01 | L-NYCKEL      |        | 1       |
| 5   | 503 97 64-01 | GREASE        |        | 1       |
| 6   | 503 80 17-01 | GREASE        |        | 1       |



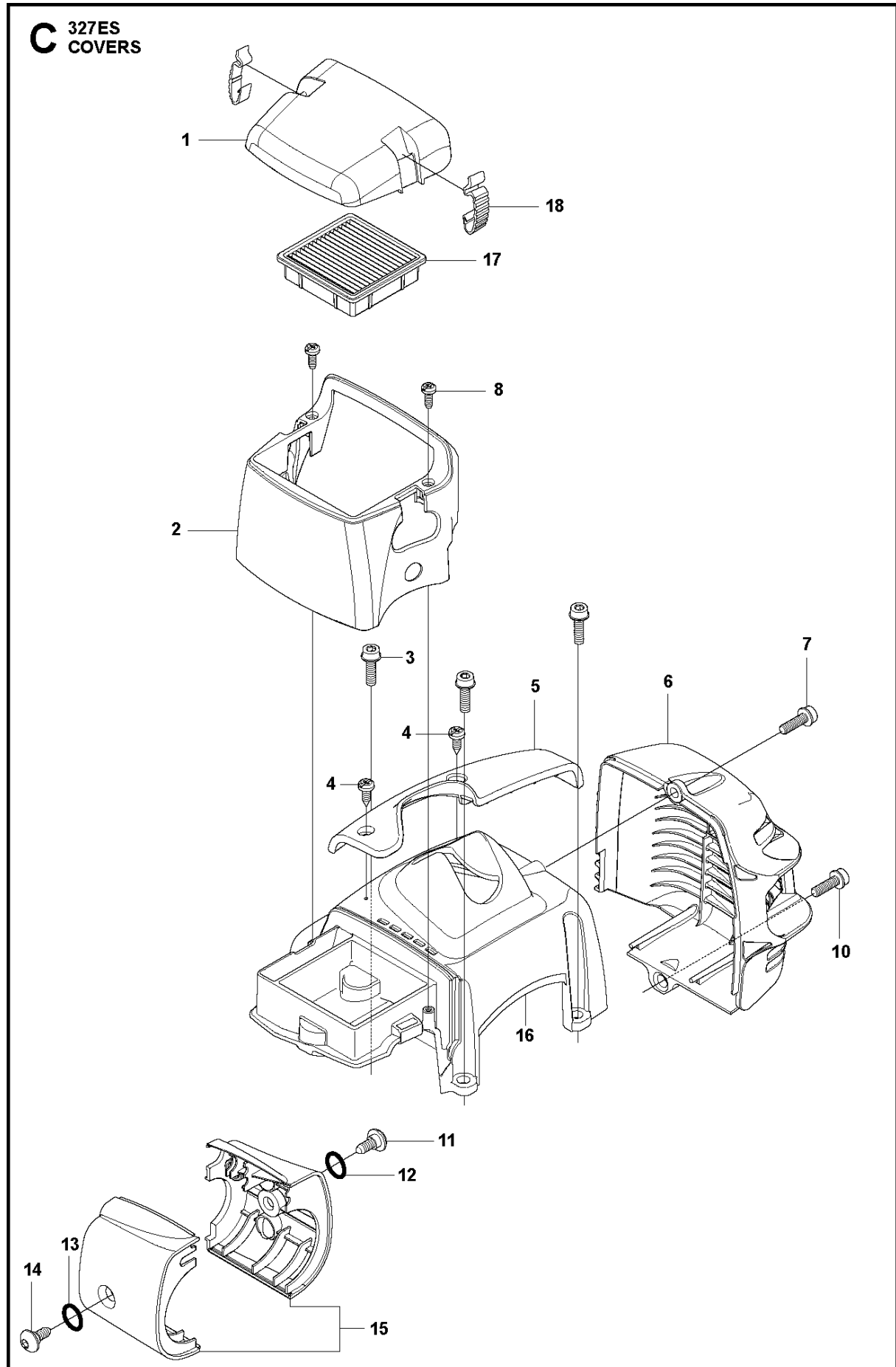
## CARBURETOR

327 ES from 2014-12

| Ref | Part No      | Description    | Remark                           | QTY | KIT |
|-----|--------------|----------------|----------------------------------|-----|-----|
| 1   | 576 01 98-01 | CARBURETTOR    | Hualong HQ-2, only option for US | 1   |     |
| 2   | 576 02 42-01 | SCREW          |                                  | 2   | 1   |
| 4   | 576 02 36-01 | COVER          |                                  | 1   | 1   |
| 5   | 576 02 24-01 | DIAPHRAGM ASSY |                                  | 1   | 1   |
| 6   | 576 02 30-01 | SHAFT ASSY     |                                  | 1   | 1   |
| 7   | 576 02 41-01 | SCREW          |                                  | 1   | 1   |
| 8   | 576 02 32-01 | CHOKE          |                                  | 1   | 1   |
| 9   | 576 02 48-01 | E-CLIP         |                                  | 1   | 1   |
| 10  | 576 02 31-01 | LEVER          |                                  | 1   | 1   |
| 11  | 576 02 35-01 | BUSHING        |                                  | 1   | 1   |
| 12  | 576 02 33-01 | SPRING         |                                  | 1   | 1   |
| 14  | 576 02 01-01 | VALVE          |                                  | 1   | 1   |
| 15  | 576 02 37-01 | GASKET         |                                  | 1   | 1   |
| 16  | 576 02 03-01 | PIN            |                                  | 1   | 1   |
| 17  | 576 02 04-01 | LEVER          |                                  | 1   | 1   |
| 18  | 576 02 05-01 | SPRING         |                                  | 1   | 1   |
| 19  | 576 02 06-01 | PLUG           |                                  | 1   | 1   |
| 20  | 576 02 28-01 | LEVER          |                                  | 1   | 1   |
| 21  | 576 02 29-01 | BUSHING        |                                  | 1   | 1   |
| 22  | 576 02 07-01 | MAIN NOZZLE    |                                  | 1   | 1   |
| 23  | 576 02 08-01 | CHECK VALVE    |                                  | 1   | 1   |
| 24  | 576 02 43-01 | SCREW          |                                  | 1   | 1   |
| 25  | 576 02 34-01 | SPRING         |                                  | 1   | 1   |
| 26  | 576 02 47-01 | BALL           |                                  | 1   | 1   |
| 27  | 576 02 23-01 | BAR            |                                  | 1   | 1   |
| 28  | 576 02 10-01 | NEEDLE         |                                  | 1   | 1   |
| 29  | 576 02 11-01 | NEEDLE         |                                  | 1   | 1   |
| 30  | 576 02 15-01 | SCREEN         |                                  | 1   | 1   |
| 31  | 576 02 27-01 | SPRING         |                                  | 1   | 1   |
| 32  | 576 02 40-01 | SCREW          |                                  | 1   | 1   |
| 33  | 576 02 26-01 | THROTTLE       |                                  | 1   | 1   |
| 34  | 576 02 39-01 | DIAPHRAGM PUMP |                                  | 1   | 1   |
| 35  | 576 02 25-01 | SHAFT ASSY     |                                  | 1   | 1   |
| 36  | 576 02 38-01 | GASKET         |                                  | 1   | 1   |
| 37  | 576 02 20-01 | COVER          |                                  | 1   | 1   |
| 38  | 576 02 22-01 | SCREW          |                                  | 1   | 1   |
| 39  | 576 02 44-01 | SCREW          |                                  | 1   | 1   |
| 40  | 581 74 35-01 | GASKET KIT     |                                  | 1   | 1   |
| 41  | 581 74 37-01 | REPAIR KIT     |                                  | 1   | 1   |



| Ref | Part No      | Description         | Remark                    | QTY | KIT     |
|-----|--------------|---------------------|---------------------------|-----|---------|
| 1   | 503 28 34-01 | CARBURETTOR         | Zama C1Q-EL24, NOT FOR US | 1   |         |
| 2   | 503 97 43-01 | COVER               |                           | 1   | 1       |
| 3   | 503 48 05-01 | SCREW               |                           | 2   | 1       |
| 4   | 537 02 02-01 | COVER               |                           | 1   | 1       |
| 5   | 537 02 07-01 | SCREW               |                           | 1   | 1       |
| 6   | 503 48 11-01 | PIECE               |                           | 1   | 1       |
| 7   | 503 47 96-01 | SCREW               |                           | 1   | 1       |
| 8   | 537 04 89-01 | DIAPHRAGM           |                           | 1   | 1, A, B |
| 9   | 537 02 04-01 | GASKET              |                           | 1   | 1, A, B |
| 10  | 537 02 01-01 | GASKET PUMP         |                           | 1   | 1, A, B |
| 11  | 537 02 00-01 | DIAPHRAGM PUMP      |                           | 1   | 1, A, B |
| 12  | 503 53 57-01 | STRAINER            |                           | 1   | 1, B    |
| 13  | 503 48 01-01 | SCREW               |                           | 1   | 1       |
| 14  | 503 48 00-01 | PIN RETAINING SCREW |                           | 1   | 1, B    |
| 15  | 503 66 59-01 | LEVER               |                           | 1   | 1, B    |
| 16  | 537 02 03-01 | SPRING              |                           | 1   | 1, B    |
| 17  | 503 47 97-01 | VALVE               |                           | 1   | 1, B    |
| 18  | 537 02 08-01 | PLUG                |                           | 1   | 1, B    |
| 19  | 537 01 25-01 | BALL                |                           | 1   | 1       |
| 20  | 537 01 26-01 | SPRING              |                           | 1   | 1       |
| 21  | 537 02 09-01 | SHAFT ASSY          |                           | 1   | 1       |
| 22  | 537 37 03-01 | VALVE               |                           | 1   | 1       |
| 23  | 503 48 18-01 | SCREW               |                           | 1   | 1       |
| 24  | 503 48 19-01 | COLLAR              |                           | 1   | 1       |
| 25  | 537 04 90-01 | LEVER               |                           | 1   | 1       |
| 26  | 537 02 10-01 | SPRING              |                           | 1   | 1       |
| 27  | 503 75 53-01 | SCREW               |                           | 1   | 1       |
| 28  | 537 01 96-01 | SHAFT ASSY          |                           | 1   | 1       |
| 29  | 537 01 99-01 | VALVE               |                           | 1   | 1       |
| 30  | 503 47 92-01 | SCREW               |                           | 1   | 1       |
| 31  | 537 01 97-01 | SPRING              |                           | 1   | 1       |
| 32  | 503 47 89-01 | COLLAR              |                           | 1   | 1       |
| 33  | 537 01 98-01 | LEVER               |                           | 1   | 1       |
| 34  | 503 47 90-01 | SCREW               |                           | 1   | 1       |
| 35  | 537 02 06-01 | SCREW               |                           | 1   | 1       |
| 36  | 537 12 78-01 | SCREW               |                           | 1   | 1       |
| 37  | 503 97 40-01 | WASHER              |                           | 1   | 1       |
| 38  | 503 48 08-01 | SPRING              |                           | 1   | 1       |
| 39  | 537 02 16-01 | LIMITER CAP         |                           | 1   | 1       |
| 40  | 537 02 16-01 | LIMITER CAP         |                           | 1   | 1       |
| 41  | 531 00 45-52 | GASKET KIT          |                           | 1   |         |
| 42  | 531 00 45-53 | SET                 |                           | 1   |         |



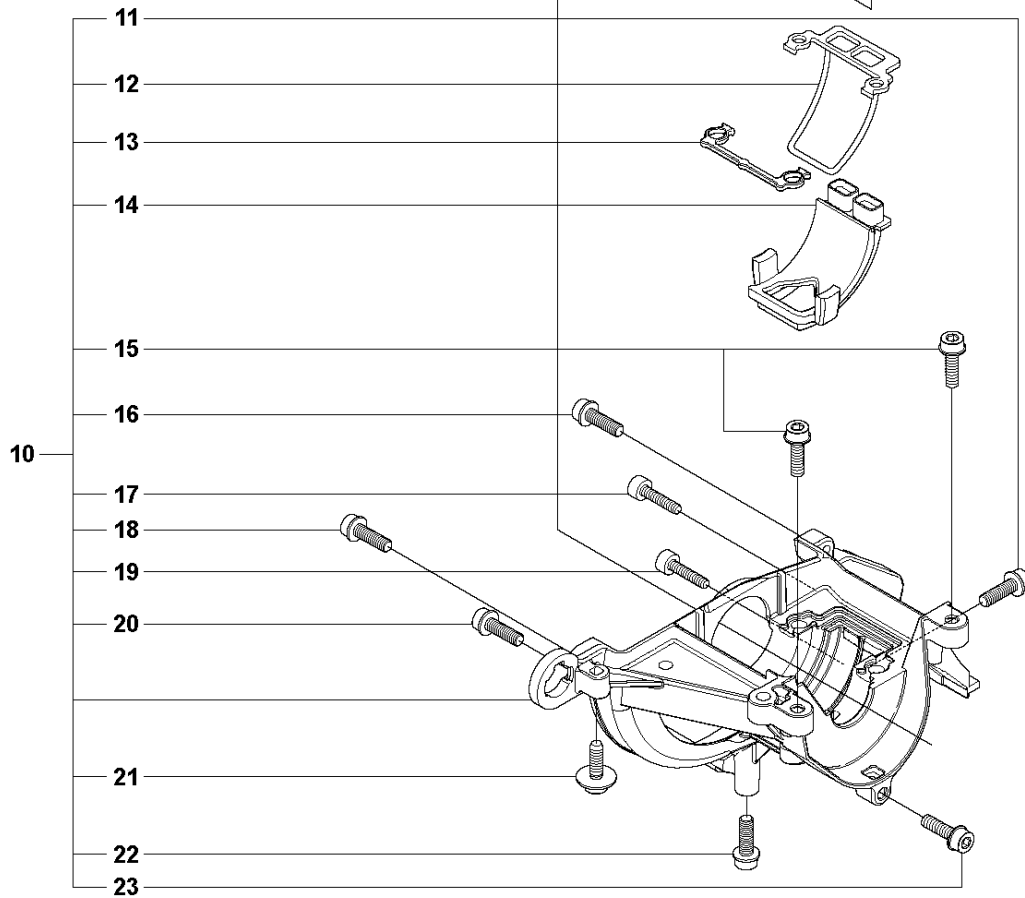
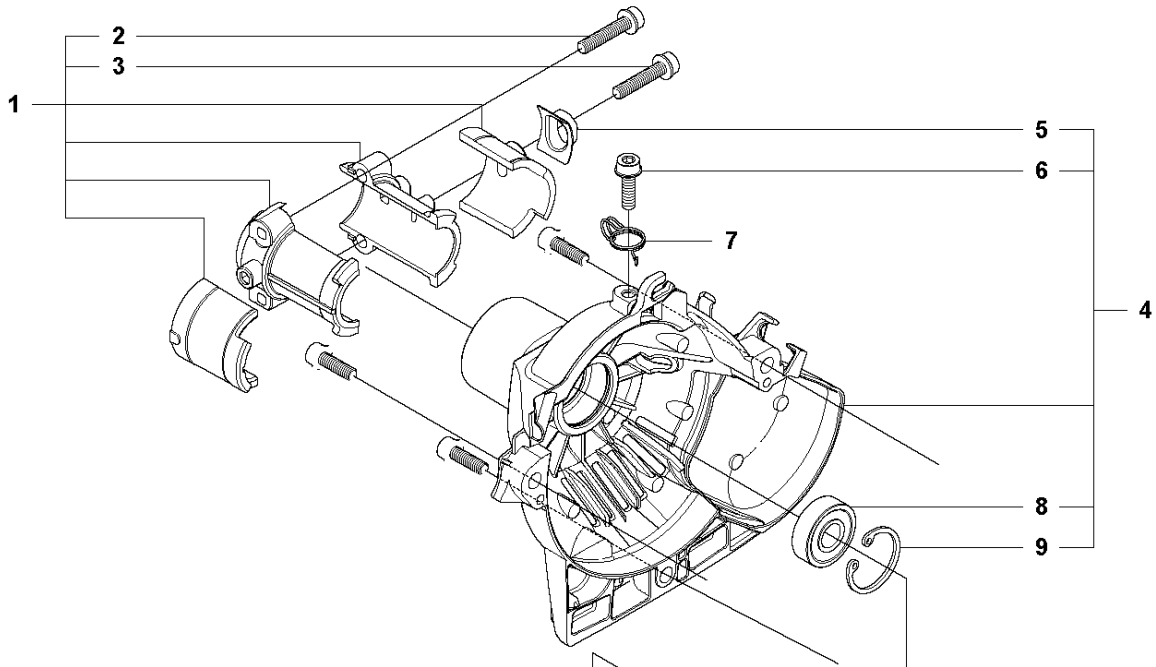


## COVER

327 ES from 2014-12

| Ref | Part No      | Description         | Remark | QTY KIT |
|-----|--------------|---------------------|--------|---------|
| 1   | 505 14 20-01 | FILTER COVER        |        | 1       |
| 2   | 505 14 22-01 | COVER               |        | 1       |
| 3   | 503 20 03-16 | SCREW IHSCFM        | M5x16  | 4       |
| 4   | 503 21 35-12 | SCREW CCRPANT       |        | 2       |
| 5   | 502 48 16-01 | ARM PROTECTION      |        | 1       |
| 6   | 544 84 81-01 | HEAT PROTECTOR      |        | 1       |
| 7   | 503 21 68-20 | SCREW IHSCFT        |        | 1       |
| 8   | 503 21 29-10 | SCREW CCRPANT       |        | 2       |
| 10  | 503 20 03-16 | SCREW IHSCFM        |        | 1       |
| 11  | 503 96 13-01 | SCREW               |        | 1       |
| 12  | 740 42 06-00 | O-RING              |        | 1       |
| 13  | 740 42 06-00 | O-RING              |        | 1       |
| 14  | 503 96 13-01 | SCREW               |        | 1       |
| 15  | 502 48 15-01 | COVER               |        | 1       |
| 16  | 505 14 18-02 | CYLINDER COVER ASSY |        | 1       |
| 17  | 505 27 10-01 | FILTER              |        | 1       |
| 18  | 537 38 72-01 | SNAP                |        | 2       |

**H** 327ES  
CRANK CASE

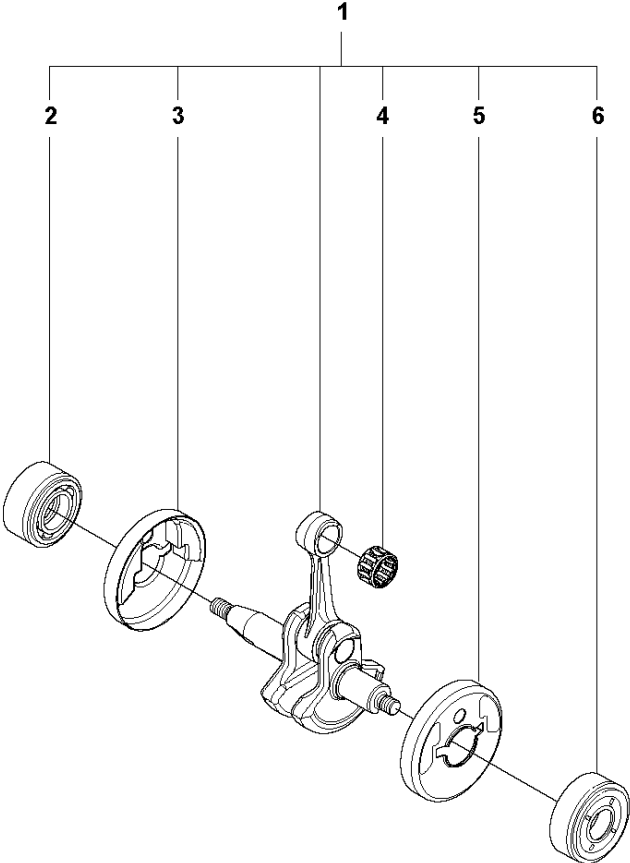


## CRANKCASE

327 ES from 2014-12

| Ref | Part No      | Description        | Remark | QTY | KIT |
|-----|--------------|--------------------|--------|-----|-----|
| 1   | 537 30 96-01 | COMPRESSION SLEEVE |        | 1   |     |
| 2   | 503 21 68-25 | SCREW IHSCFT       |        | 1   | 1   |
| 3   | 503 21 68-25 | SCREW IHSCFT       |        | 1   | 1   |
| 4   | 537 04 12-09 | CLUTCH COVER       |        | 1   |     |
| 5   | 537 42 50-01 | PROTECTIVE PLATE   |        | 1   | 4   |
| 6   | 503 20 03-16 | SCREW IHSCFM       | M5x16  | 1   | 4   |
| 7   | 537 07 36-01 | SPRING             |        | 1   |     |
| 8   | 503 25 05-01 | BALL BEARING       |        | 1   | 4   |
| 9   | 537 33 67-01 | CIRCLIP            |        | 1   | 4   |
| 10  | 537 08 52-02 | CRANKCASE          |        | 1   |     |
| 11  | 503 20 03-16 | SCREW IHSCFM       |        | 1   | 10  |
| 12  | 537 06 69-01 | GASKET CRANKCASE   |        | 1   | 10  |
| 13  | 537 08 85-01 | GASKET             |        | 1   | 10  |
| 14  | 537 06 68-01 | INSERT CRANKCASE   |        | 1   | 10  |
| 15  | 503 20 03-16 | SCREW IHSCFM       |        | 1   | 10  |
| 16  | 503 20 03-16 | SCREW IHSCFM       |        | 1   | 10  |
| 17  | 503 21 66-18 | SCREW IHSCFT       |        | 1   | 10  |
| 18  | 503 20 03-16 | SCREW IHSCFM       |        | 1   | 10  |
| 19  | 503 21 66-18 | SCREW IHSCFT       |        | 1   | 10  |
| 20  | 503 20 03-16 | SCREW IHSCFM       |        | 1   | 10  |
| 21  | 503 21 77-16 | SCREW IHSCFT       |        | 1   | 10  |
| 22  | 503 20 14-12 | SCREW IHSCFMO      | M5x12  | 1   | 10  |
| 23  | 503 20 03-16 | SCREW IHSCFM       |        | 1   | 10  |

**J** 327ES  
CRANK SHAFT

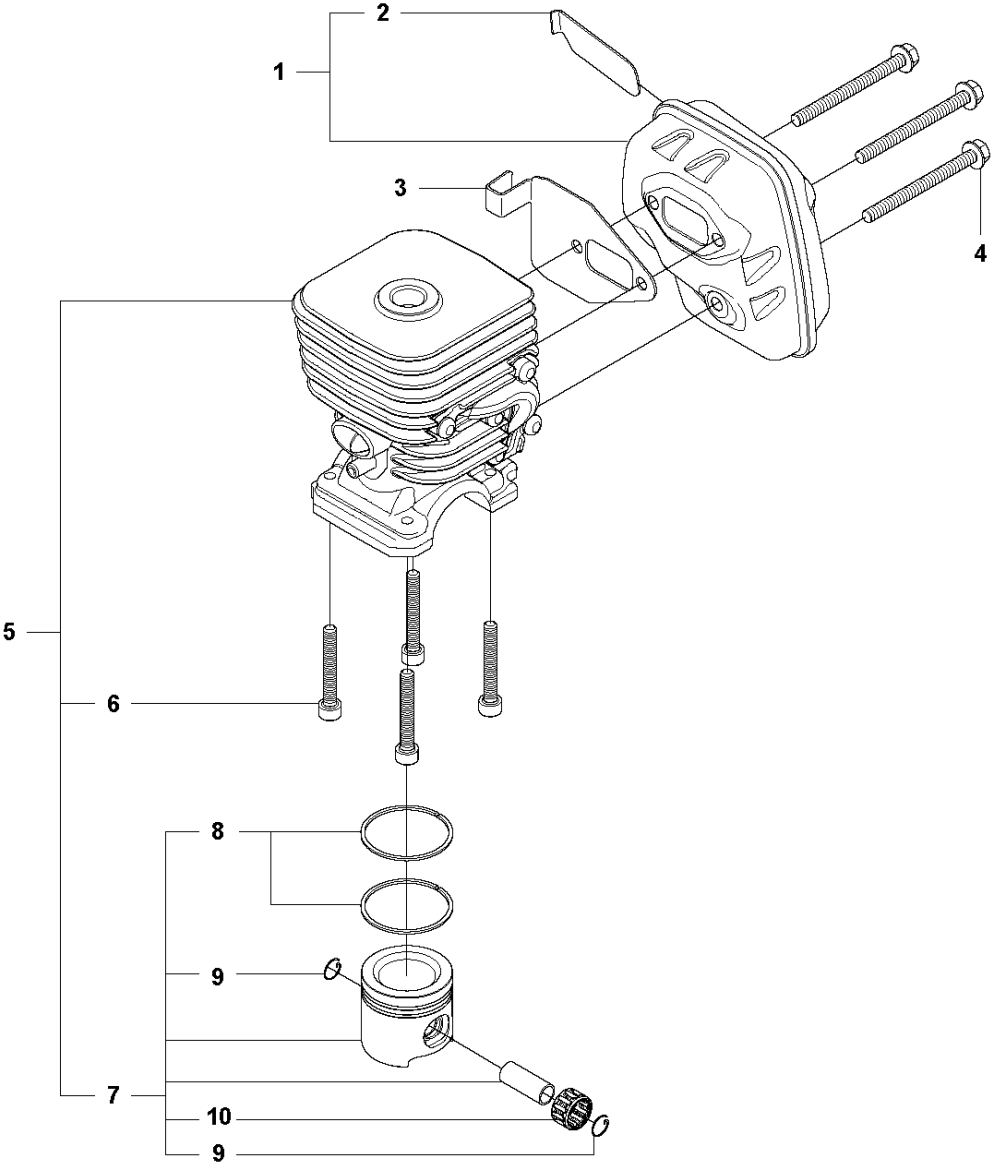


## CRANKSHAFT

327 ES from 2014-12

| Ref | Part No      | Description     | Remark | QTY | KIT |
|-----|--------------|-----------------|--------|-----|-----|
| 1   | 503 85 24-74 | CRANKSHAFT ASSY |        | 1   |     |
| 2   | 503 94 02-03 | BEARING CAGE    |        | 1   | 1   |
| 3   | 503 94 05-01 | CUP             |        | 1   | 1   |
| 4   | 503 71 22-01 | BEARING         |        | 1   | 1   |
| 5   | 503 94 05-01 | CUP             |        | 1   | 1   |
| 6   | 503 94 02-03 | BEARING CAGE    |        | 1   | 1   |

**G** 327ES  
CYLINDER PISTON & MUFFLER

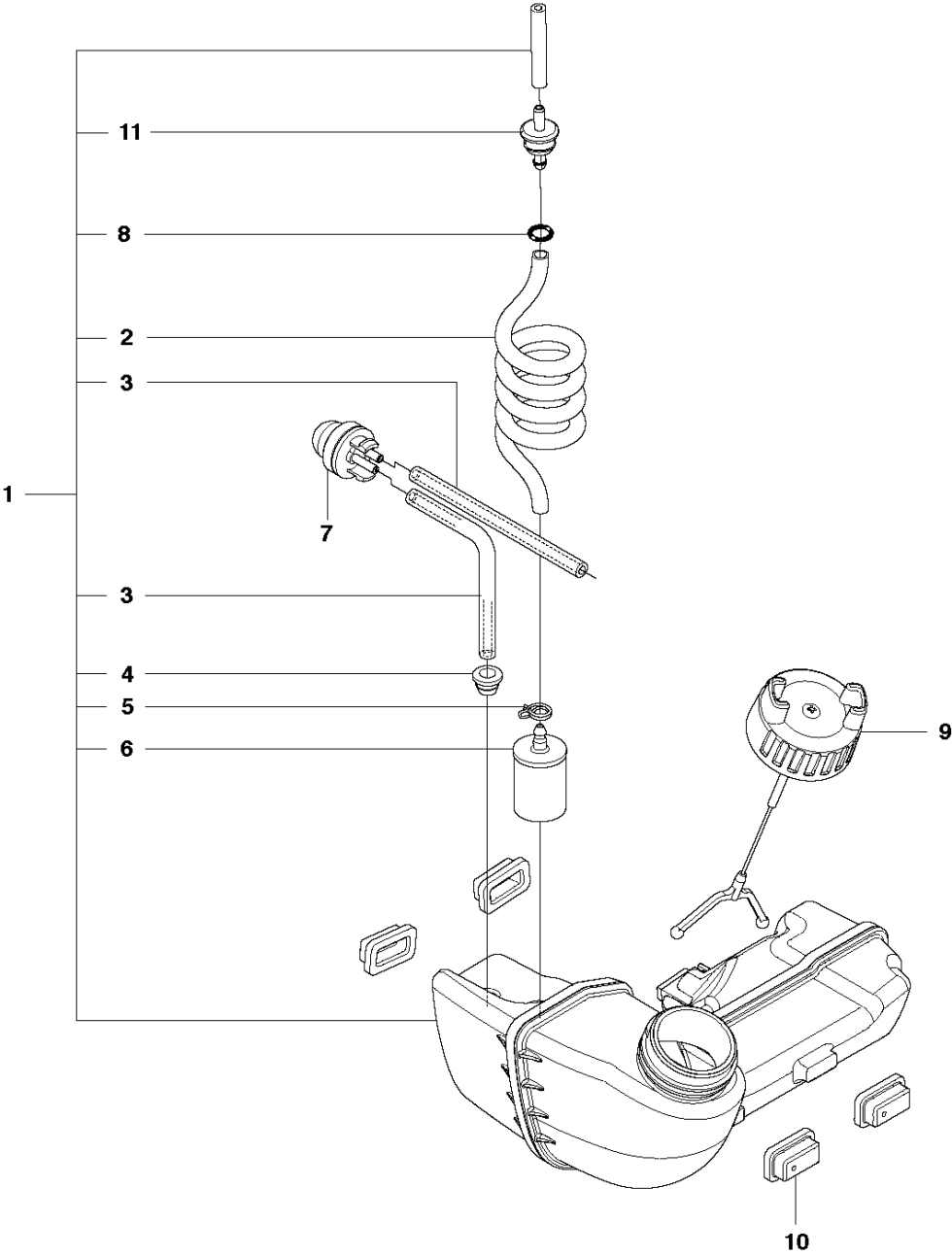


## CYLINDER, PISTON &amp; MUFFLER

327 ES from 2014-12

| Ref | Part No      | Description           | Remark | QTY KIT |   |
|-----|--------------|-----------------------|--------|---------|---|
| 1   | 537 22 17-04 | MUFFLER ASSY          | Cat.   | 1       |   |
| 2   | 537 22 18-01 | SPARK ARRESTOR SCREEN |        | 1       | 1 |
| 3   | 537 01 41-01 | GASKET                |        | 1       |   |
| 4   | 502 07 81-01 | SCREW EHHFM           |        | 3       |   |
| 5   | 537 08 51-03 | CYLINDER              | Ø=34mm | 1       |   |
| 6   | 503 20 07-35 | SCREW IHSCFM          |        | 4       | 5 |
| 7   | 537 40 59-02 | PISTON                |        | 1       | 5 |
| 8   | 537 40 62-01 | PISTON RING           |        | 1       | 7 |
| 9   | 737 44 08-00 | CIRCLIP               |        | 1       | 7 |
| 10  | 503 71 22-01 | BEARING               |        | 1       | 7 |

**E** 327ES  
FUEL TANK



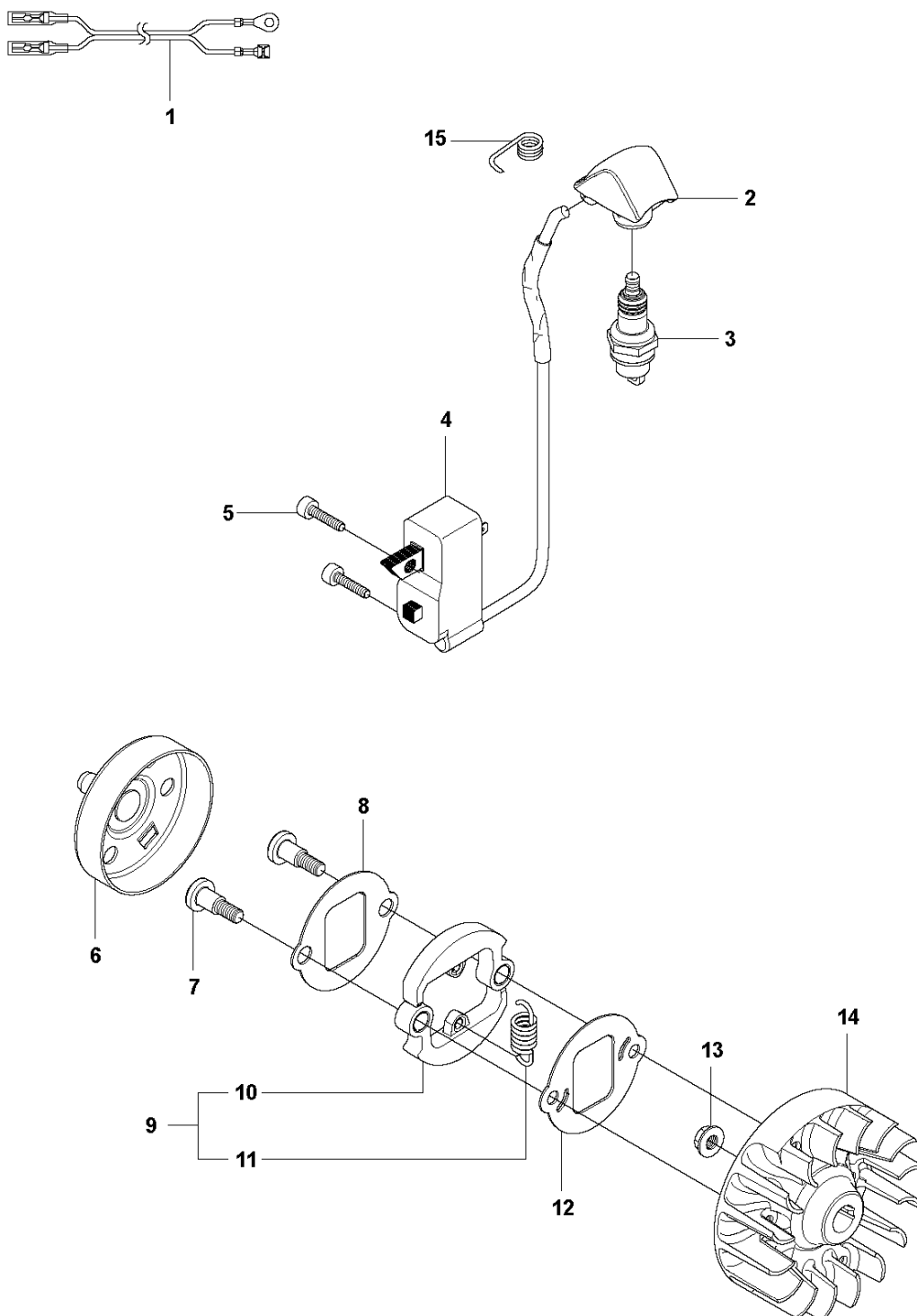


## FUEL TANK

327 ES from 2014-12

| Ref | Part No      | Description    | Remark | QTY | KIT |
|-----|--------------|----------------|--------|-----|-----|
| 1   | 584 25 80-01 | FUEL TANK ASSY |        | 1   |     |
| 2   | 581 75 62-01 | FUEL HOSE      |        | 1   | 1   |
| 3   | 537 04 24-01 | FUEL HOSE      |        | 1   | 1   |
| 4   | 503 73 58-01 | BUSHING        |        | 2   | 1   |
| 5   | 504 02 24-01 | HOSE CLAMP     |        | 1   | 1   |
| 6   | 503 44 32-01 | FILTER         |        | 1   | 1   |
| 7   | 503 93 66-01 | PRIMER HOUSING |        | 1   |     |
| 8   | 537 18 49-01 | O-RING         |        | 1   | 1   |
| 9   | 544 88 97-02 | TANK CAP       |        | 1   |     |
| 10  | 503 91 10-01 | SUSPENSION     |        | 4   |     |
| 11  | 578 29 56-01 | HOSE NIPPLE    |        | 1   | 1   |

**F** 327ES  
IGNITION & CLUTCH

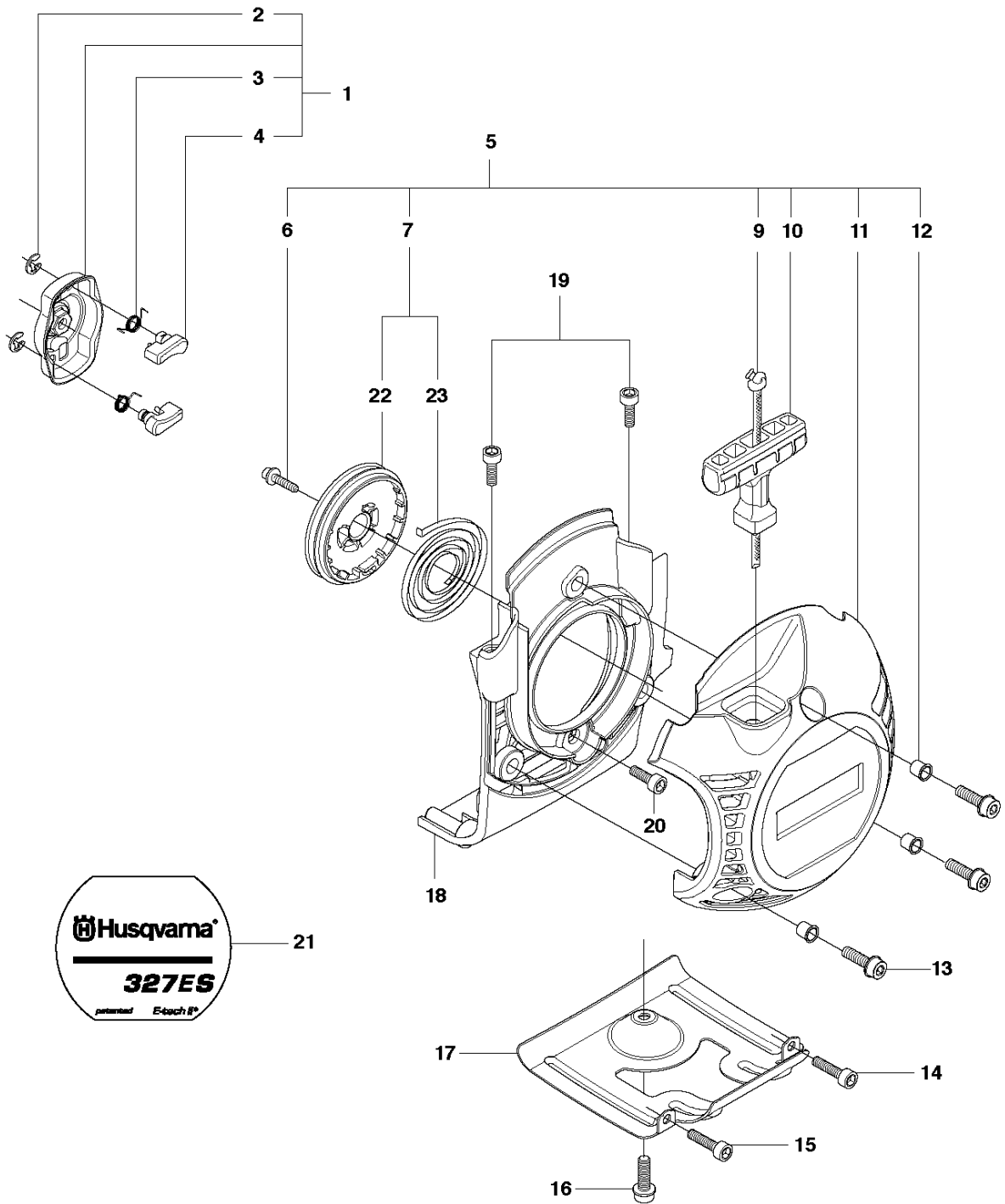


## IGNITION SYSTEM &amp; CLUTCH

327 ES from 2014-12

| Ref | Part No      | Description         | Remark          | QTY | KIT |
|-----|--------------|---------------------|-----------------|-----|-----|
| 1   | 502 49 36-01 | SHORT CIRCUIT CABLE |                 | 1   |     |
| 2   | 537 43 43-01 | SPARK PLUG CAP      |                 | 1   |     |
| 3   | 503 23 51-09 | SPARK PLUG          | Champion RCJ 6Y | 1   |     |
| 4   | 544 12 70-01 | IGNITION MODULE     |                 | 1   |     |
| 5   | 503 21 66-18 | SCREW IHCT          |                 | 2   |     |
| 6   | 537 23 75-01 | CLUTCH DRUM ASSY    |                 | 1   |     |
| 7   | 503 84 29-02 | SCREW               |                 | 2   |     |
| 8   | 537 04 67-02 | WASHER              |                 | 1   |     |
| 9   | 537 03 22-01 | CLUTCH ASSY         |                 | 1   |     |
| 10  | 503 84 28-01 | CLUTCH SHOE         |                 | 2   | 9   |
| 11  | 503 81 60-01 | CLUTCH SPRING       |                 | 1   | 9   |
| 12  | 537 04 68-02 | WASHER              |                 | 1   |     |
| 13  | 731 71 16-51 | HEXAGON NUT FLANGED |                 | 1   |     |
| 14  | 537 24 96-02 | FLYWHEEL            |                 | 1   |     |
| 15  | 501 48 56-01 | CONTACT SPRING      |                 | 1   |     |

**D** 327ES  
STARTER

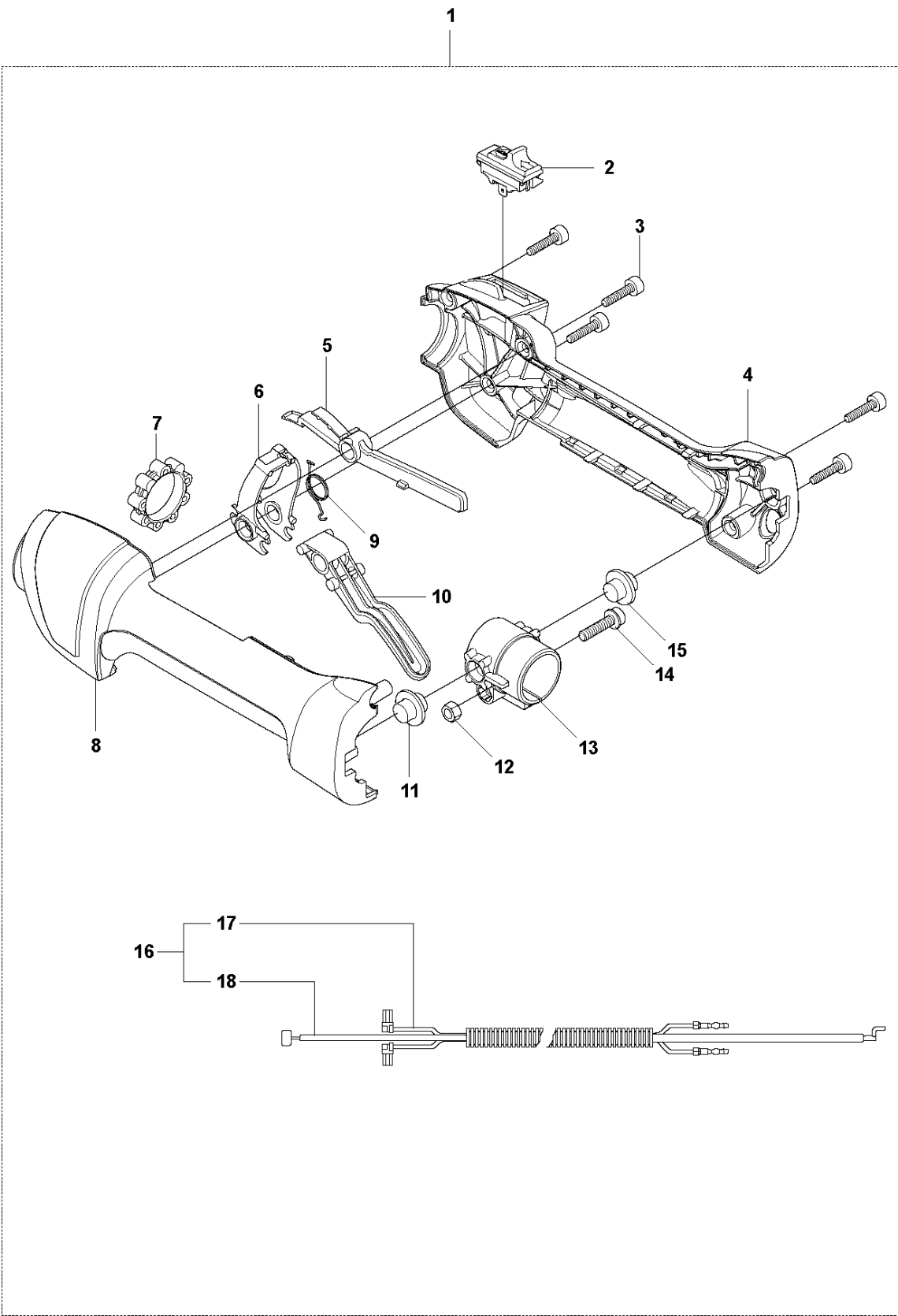


## STARTER

327 ES from 2014-12

| Ref | Part No      | Description         | Remark | QTY KIT |      |
|-----|--------------|---------------------|--------|---------|------|
| 1   | 503 87 33-05 | STARTER PAWL BRIDGE |        | 1       |      |
| 2   | 735 31 08-20 | E-CLIP              |        | 2       | 1    |
| 3   | 503 87 36-01 | SPRING              |        | 1       | 1    |
| 4   | 503 87 35-02 | STARTER PAWL        |        | 2       | 1    |
| 5   | 505 19 83-01 | STARTER ASSY        |        | 1       |      |
| 6   | 503 21 77-16 | SCREW IH SCT        |        | 1       | 5    |
| 7   | 537 33 23-03 | STARTER PULLEY      |        | 1       | 5    |
| 8   | 537 37 93-02 | SPACING SLEEVE      |        | 2       | 5    |
| 9   | 505 30 51-25 | STARTER CORD        |        | 1       | 5    |
| 10  | 537 00 84-01 | STARTER HANDLE      |        | 1       | 5    |
| 11  | 505 14 13-01 | STARTER ASSY        |        | 1       | 5    |
| 12  | 537 37 93-02 | SPACING SLEEVE      |        | 3       | 5    |
| 13  | 503 20 03-16 | SCREW IH SCFM       | M5x16  | 3       |      |
| 14  | 503 21 66-18 | SCREW IH SCT        |        | 1       |      |
| 15  | 503 21 66-18 | SCREW IH SCT        |        | 1       |      |
| 16  | 503 20 14-12 | SCREW IH SCFMO      | M5x12  | 1       |      |
| 17  | 537 03 41-01 | PROTECTIVE PLATE    |        | 1       |      |
| 18  | 505 14 16-01 | BRACKET ASSY        |        | 1       |      |
| 19  | 503 20 03-16 | SCREW IH SCFM       |        | 2       |      |
| 20  | 503 21 53-16 | SCREW ITX SCM       |        | 1       |      |
| 21  | 537 32 24-11 | LABEL               |        | 1       |      |
| 22  | 537 32 50-03 | STARTER PULLEY      |        | 1       | 5, 7 |
| 23  | 503 85 99-01 | RECOIL SPRING       |        | 1       | 5, 7 |

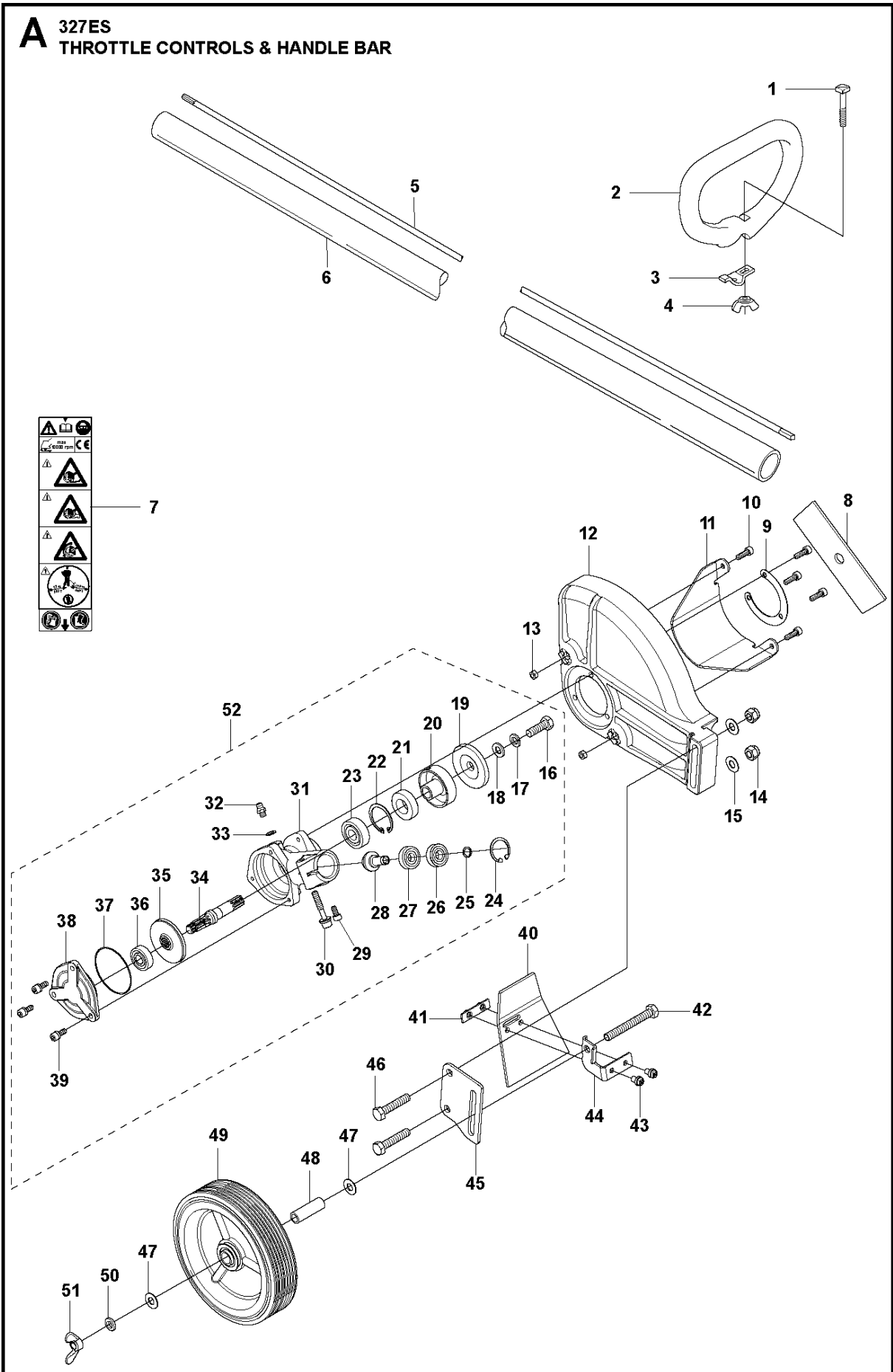
**B** 327ES  
THROTTLE CONTROLS



## THROTTLE CONTROLS

327 ES from 2014-12

| Ref | Part No      | Description         | Remark | QTY | KIT  |
|-----|--------------|---------------------|--------|-----|------|
| 1   | 544 14 36-04 | CONTROL             |        | 1   |      |
| 2   | 537 41 90-01 | SWITCH              |        | 1   | 1    |
| 3   | 503 21 66-18 | SCREW IHSC T        |        | 5   | 1    |
| 4   | 544 10 02-02 | HANDLE HALF RIGHT   |        | 1   | 1    |
| 5   | 503 87 80-01 | THROTTLE LOCKOUT    |        | 1   | 1    |
| 6   | 503 91 81-01 | THROTTLE LEVER      |        | 1   | 1    |
| 7   | 503 96 14-01 | VIBRATION ABSORBER  |        | 1   | 1    |
| 8   | 544 10 03-02 | HANDLE HALF LEFT    |        | 1   | 1    |
| 9   | 544 10 08-01 | RECOIL SPRING       |        | 1   | 1    |
| 10  | 503 87 79-03 | THROTTLE TRIGGER    |        | 1   | 1    |
| 11  | 544 10 17-02 | RUBBER DAMPER       |        | 1   | 1    |
| 12  | 731 23 14-01 | HEXAGON NUT         |        | 1   | 1    |
| 13  | 544 11 21-01 | RETAINER            |        | 1   | 1    |
| 14  | 503 20 03-20 | SCREW IHSCFM        |        | 1   | 1    |
| 15  | 544 10 17-02 | RUBBER DAMPER       |        | 1   | 1    |
| 16  | 502 65 13-01 | WIRING              |        | 1   | 1    |
| 17  | 502 53 16-01 | SHORT CIRCUIT CABLE |        | 1   | 1,16 |
| 18  | 544 17 17-03 | THROTTLE WIRE ASSY  |        | 1   | 1,16 |





## THROTTLE CONTROLS &amp; HANDLE BAR

327 ES from 2014-12

| Ref | Part No      | Description         | Remark | QTY | KIT |
|-----|--------------|---------------------|--------|-----|-----|
| 1   | 503 21 98-35 | SCREW               |        | 1   |     |
| 2   | 537 07 68-02 | HANDLE              |        | 1   |     |
| 3   | 537 04 25-01 | ATTACHMENT PLATE    |        | 1   |     |
| 4   | 503 22 26-01 | NUT                 |        | 1   |     |
| 5   | 537 23 48-01 | DRIVE SHAFT         |        | 1   |     |
| 6   | 503 88 88-01 | TUBE                |        | 1   |     |
| 7   | 587 11 18-01 | LABEL               |        | 1   |     |
| 8   | 503 84 82-02 | EDGER BLADE         |        | 1   |     |
| 9   | 505 17 19-01 | PLATE               |        | 1   |     |
| 10  | 505 17 18-01 | BOLT                |        | 5   |     |
| 11  | 505 17 20-01 | PROTECTIVE PLATE    |        | 1   |     |
| 12  | 505 17 17-01 | GUARD               |        | 1   |     |
| 13  | 505 17 23-01 | NUT                 |        | 2   |     |
| 14  | 505 17 48-01 | NUT                 |        | 2   |     |
| 15  | 505 17 50-01 | WASHER              |        | 2   |     |
| 16  | 505 16 96-01 | BOLT                |        | 1   | 52  |
| 17  | 505 16 97-01 | SPRING WASHER       |        | 1   | 52  |
| 18  | 505 16 98-01 | WASHER              |        | 1   | 52  |
| 19  | 505 17 14-01 | HOLDER(B)           |        | 1   | 52  |
| 20  | 505 17 12-01 | HOLDER(A)           |        | 1   | 52  |
| 21  | 505 16 87-01 | SEAL                |        | 1   | 52  |
| 22  | 505 16 88-01 | LOCK RING           |        | 1   | 52  |
| 23  | 505 16 86-01 | BEARING             |        | 1   | 52  |
| 24  | 505 16 94-01 | LOCK RING           |        | 1   | 52  |
| 25  | 505 16 95-01 | LOCK RING           |        | 1   | 52  |
| 26  | 505 16 93-01 | BEARING             |        | 1   | 52  |
| 27  | 505 16 92-01 | BEARING             |        | 1   | 52  |
| 28  | 505 16 91-01 | PINION              |        | 1   | 52  |
| 29  | 505 16 99-01 | BOLT                |        | 1   | 52  |
| 30  | 505 17 00-01 | SCREW               |        | 1   | 52  |
| 31  | 505 16 84-01 | HOUSING             |        | 1   | 52  |
| 32  | 505 17 15-01 | FITTING             |        | 1   | 52  |
| 33  | 505 17 16-01 | WASHER              |        | 1   | 52  |
| 34  | 505 16 89-01 | SHAFT               |        | 1   | 52  |
| 35  | 505 16 90-01 | GEAR WHEEL          |        | 1   | 52  |
| 36  | 505 17 02-01 | BEARING             |        | 1   | 52  |
| 37  | 505 16 85-01 | O-RING              |        | 1   | 52  |
| 38  | 505 17 01-01 | COVER               |        | 1   | 52  |
| 39  | 505 17 06-01 | SCREW               |        | 3   | 52  |
| 40  | 505 17 37-01 | RUBBER              |        | 1   |     |
| 41  | 505 17 36-01 | PLATE               |        | 1   |     |
| 42  | 505 17 26-01 | BOLT                |        | 1   |     |
| 43  | 505 17 39-01 | SCREW               |        | 2   |     |
| 44  | 505 17 35-01 | BRACKET             |        | 1   |     |
| 45  | 505 17 46-01 | BLADE GUARD BRACKET |        | 1   |     |
| 46  | 505 17 47-01 | SCREW               |        | 2   |     |
| 47  | 505 17 50-01 | WASHER              |        | 2   |     |
| 48  | 505 17 33-01 | SLEEVE              |        | 1   |     |
| 49  | 505 17 25-01 | WHEEL               |        | 1   |     |
| 50  | 505 17 29-01 | SPRING WASHER       |        | 1   |     |
| 51  | 505 17 31-01 | WING NUT            |        | 1   |     |
| 52  | 505 16 83-01 | GEAR                |        | 1   |     |

# Illustrated Parts List - IPL Update



Product Name(s)

**326 ES**

Description of change

Warning label changed.

Comments

Fully exchangeable

Introduced from

| <b>Serial number / Date</b> | <b>Remark</b>      |
|-----------------------------|--------------------|
| 2014-08                     | Label 587 11 18-01 |

IPL updates

| <b>Page Title</b>            | <b>Ref. no</b> | <b>New part no</b> | <b>Name</b> | <b>Excl. part no.</b> | <b>Remark</b> |
|------------------------------|----------------|--------------------|-------------|-----------------------|---------------|
| Throttle control & handlebar | 7              | 587 11 18-01       | Label       | 503 84 78-01          |               |