



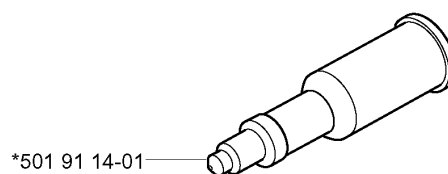
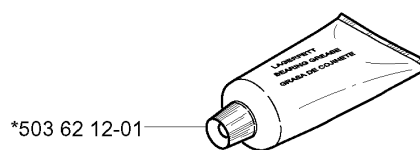
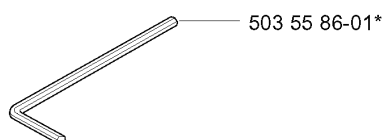
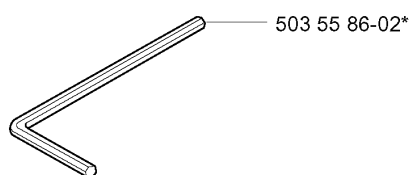
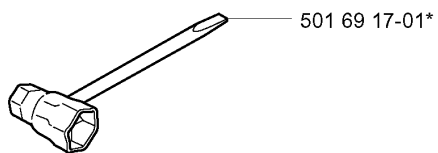
SPARE PARTS LIST

CHAIN SAWS

351, from 2015-07 -

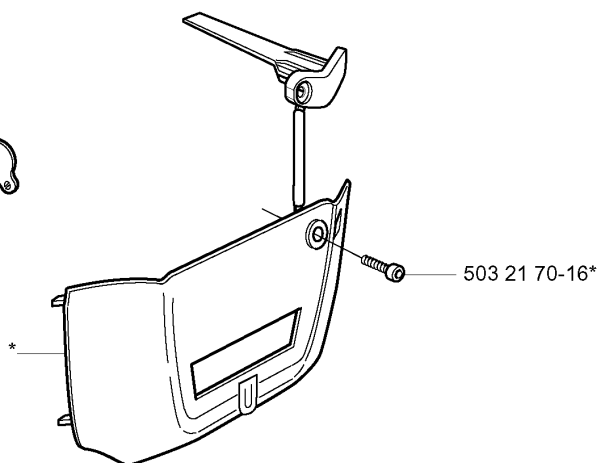
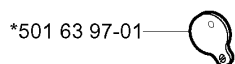
P Tillbehör
 Accessories
 Zubehöre
 Accessoires
 Accesorios

*compl 503 55 85-01



WINTER KIT

*compl 537 04 28-71

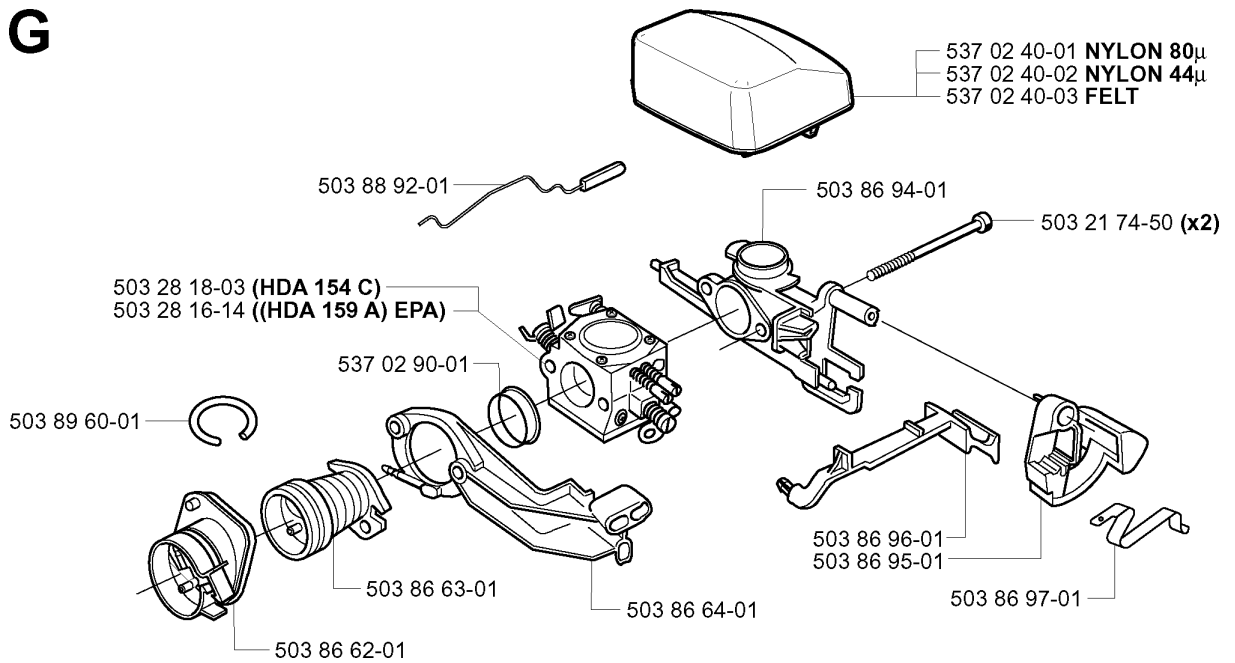


ACCESSORIES

351, from 2015-07 -

| Part No | Description | Remark | QTY KIT |
|--------------|--------------------|--------|---------|
| 501 63 97-01 | COVER | | 1 |
| 501 69 17-01 | COMBINATION WRENCH | | 1 |
| 501 91 14-01 | GREASE GUN | | 1 |
| 503 21 70-16 | SCREW CCRPANT | | 1 |
| 503 55 85-01 | TOOL | | 1 |
| 503 55 86-01 | SPANNER | | 1 |
| 503 55 86-02 | SPANNER | | 1 |
| 503 62 12-01 | GREASE | | 1 |
| 537 04 28-71 | KIT | | 1 |

G

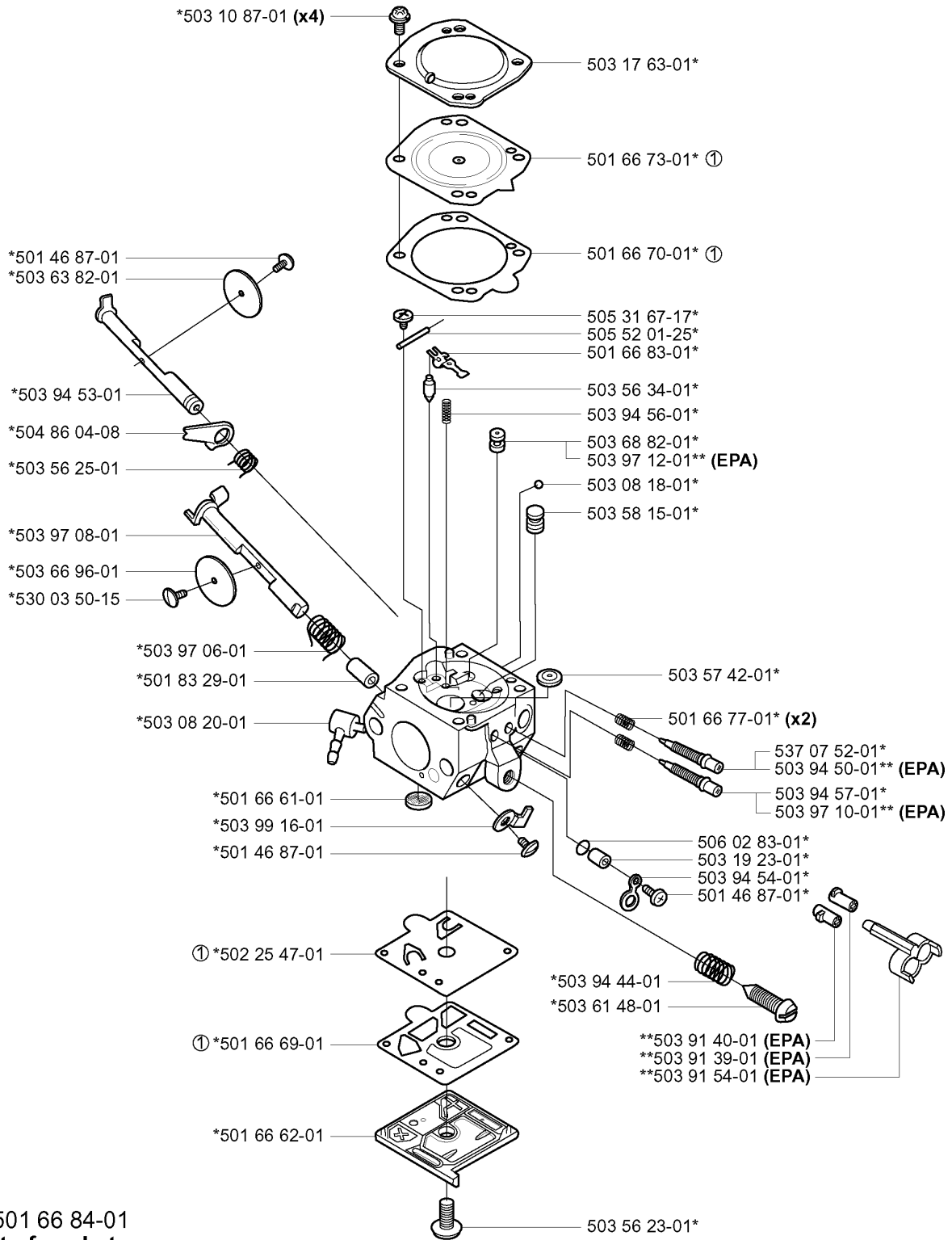


CARBURETOR & AIR FILTER

351, from 2015-07 -

| Part No | Description | Remark | QTY KIT |
|--------------|----------------------|---------------|---------|
| 503 21 74-50 | SCREW IHSCCT | | 2 |
| 503 28 16-14 | CARBURETTOR | HDA 159 A EPA | 1 |
| 503 28 18-03 | CARBURETTOR | HDA 154 C | 1 |
| 503 86 62-01 | INSULATION WALL | | 1 |
| 503 86 63-01 | BELLOWS | | 1 |
| 503 86 64-01 | FLANGE | | 1 |
| 503 86 94-01 | INLET BEND | | 1 |
| 503 86 95-01 | STOP CONTROL | | 1 |
| 503 86 96-01 | CHOKE CONTROL | | 1 |
| 503 86 97-01 | SHORT CIRCUIT SPRING | | 1 |
| 503 88 92-01 | WIRE ASSY | | 1 |
| 503 89 60-01 | IMPULSE HOSE | | 1 |
| 537 02 40-01 | AIR FILTER | NYLON | 1 |
| 537 02 40-02 | AIR FILTER | NYLON | 1 |
| 537 02 40-03 | AIR FILTER | FELT | 1 |
| 537 02 90-01 | SUPPORT RING | | 1 |

N *compl 503 28 18-03 Walbro HDA 154 C
 **compl 503 28 16-14 Walbro HDA 159 A (EPA)



① 501 66 84-01
Set of gaskets
Dichtungssatz
Jeu de joints
Juego de juntas
Packningssats

CARBURETOR DETAILS

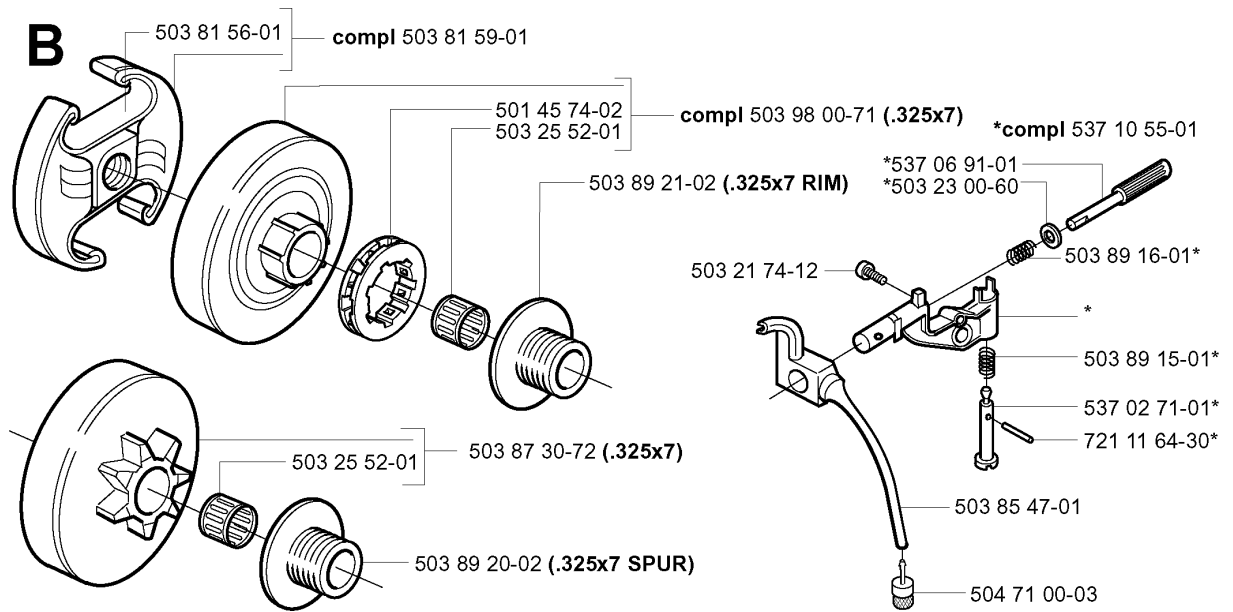
351, from 2015-07 -

| Part No | Description | Remark | QTY KIT |
|--------------|---------------------|-----------------------------|---------|
| 501 46 87-01 | SCREW | | 1 |
| 501 46 87-01 | SCREW | | 1 |
| 501 46 87-01 | SCREW | | 1 |
| 501 66 61-01 | SCREEN | | 1 |
| 501 66 62-01 | COVER | | 1 |
| 501 66 69-01 | GASKET | 501 66 84-01 SET OF GASKETS | 1 |
| 501 66 70-01 | GASKET | 501 66 84-01 SET OF GASKETS | 1 |
| 501 66 73-01 | DIAPH-ASSY METERING | 501 66 84-01 SET OF GASKETS | 1 |
| 501 66 77-01 | SPRING | | 2 |
| 501 66 83-01 | LEVER-METERING | | 1 |
| 501 83 29-01 | BUSHING | | 1 |
| 502 25 47-01 | DIAPHRAGM PUMP | 501 66 84-01 SET OF GASKETS | 1 |
| 503 08 18-01 | PLUG | | 1 |
| 503 08 20-01 | FITTING | | 1 |
| 503 10 87-01 | SCREW | | 4 |
| 503 17 63-01 | COVER | | 1 |
| 503 19 23-01 | SPACER-SHAFT-CHOKE | | 1 |
| 503 28 16-14 | CARBURETTOR | WALBRO HDA 159 A (EPA) | 1 |
| 503 28 18-03 | CARBURETTOR | WALBRO HDA 154 C | 1 |
| 503 56 23-01 | SCREW | | 1 |
| 503 56 25-01 | SPRING | | 1 |
| 503 56 34-01 | INLET | | 1 |
| 503 57 42-01 | PLUG | | 1 |
| 503 58 15-01 | NOZZLE ASSY | | 1 |
| 503 61 48-01 | SCREW | | 1 |
| 503 63 82-01 | VALVE CHOKE | | 1 |
| 503 66 96-01 | VALVE THROTTLE | | 1 |
| 503 68 82-01 | JET | | 1 |
| 503 91 39-01 | LIMITER CAP | EPA | 1 |
| 503 91 40-01 | LIMITER CAP | EPA | 1 |
| 503 91 54-01 | RETAINER | EPA | 1 |
| 503 94 44-01 | SPRING | | 1 |
| 503 94 50-01 | NEEDLE | EPA | 1 |
| 503 94 53-01 | SHAFT ASSY | | 1 |
| 503 94 54-01 | LEVER | | 1 |
| 503 94 56-01 | SPRING | | 1 |
| 503 94 57-01 | NEEDLE | | 1 |
| 503 97 06-01 | SPRING | | 1 |
| 503 97 08-01 | SHAFT ASSY | | 1 |
| 503 97 10-01 | NEEDLE | EPA | 1 |
| 503 97 12-01 | JET | EPA | 1 |
| 503 99 16-01 | LEVER | | 1 |
| 504 86 04-08 | LEVER | | 1 |
| 505 31 67-17 | SCREW | | 1 |
| 505 52 01-25 | PIN-METERING LEVER | | 1 |
| 506 02 83-01 | WASHER | | 1 |
| 530 03 50-15 | SCREW | | 1 |
| 537 07 52-01 | NEEDLE | | 1 |

CHAIN BRAKE

351, from 2015-07 -

| Part No | Description | Remark | QTY KIT |
|--------------|-----------------|--------|---------|
| 503 21 70-10 | SCREW CCRPANT | | 1 |
| 503 21 70-10 | SCREW CCRPANT | | 4 |
| 503 21 70-10 | SCREW CCRPANT | | 1 |
| 503 22 00-01 | HEXAGON NUT | | 2 |
| 503 46 59-01 | BRAKE SPRING | | 1 |
| 503 85 52-01 | GUIDE BUSHING | | 1 |
| 503 85 66-01 | COVER PLATE | | 1 |
| 503 89 08-02 | KNEE JOINT ASSY | | 1 |
| 503 89 29-01 | PIN KNEE-JOINT | | 1 |
| 503 89 30-02 | SCREW | | 1 |
| 503 89 30-02 | SCREW | | 1 |
| 503 89 64-01 | LABEL | | 1 |
| 503 92 95-01 | WEAR WASHER | | 1 |
| 537 02 99-01 | WEAR PROTECTION | | 1 |
| 537 04 30-01 | BRAKE BAND ASSY | | 1 |
| 537 08 90-01 | WEAR PROTECTION | | 1 |
| 537 10 78-01 | CHAIN BRAKE | | 1 |
| 537 10 80-01 | HUB CAP | | 1 |
| 537 15 27-01 | HEAT PROTECTOR | | 1 |
| 537 15 28-01 | HAND GUARD | | 1 |
| 735 31 08-20 | E-CLIP | | 1 |

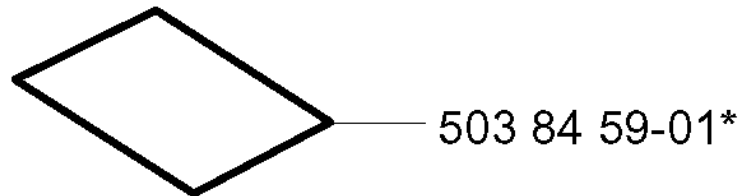
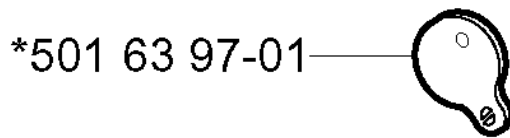
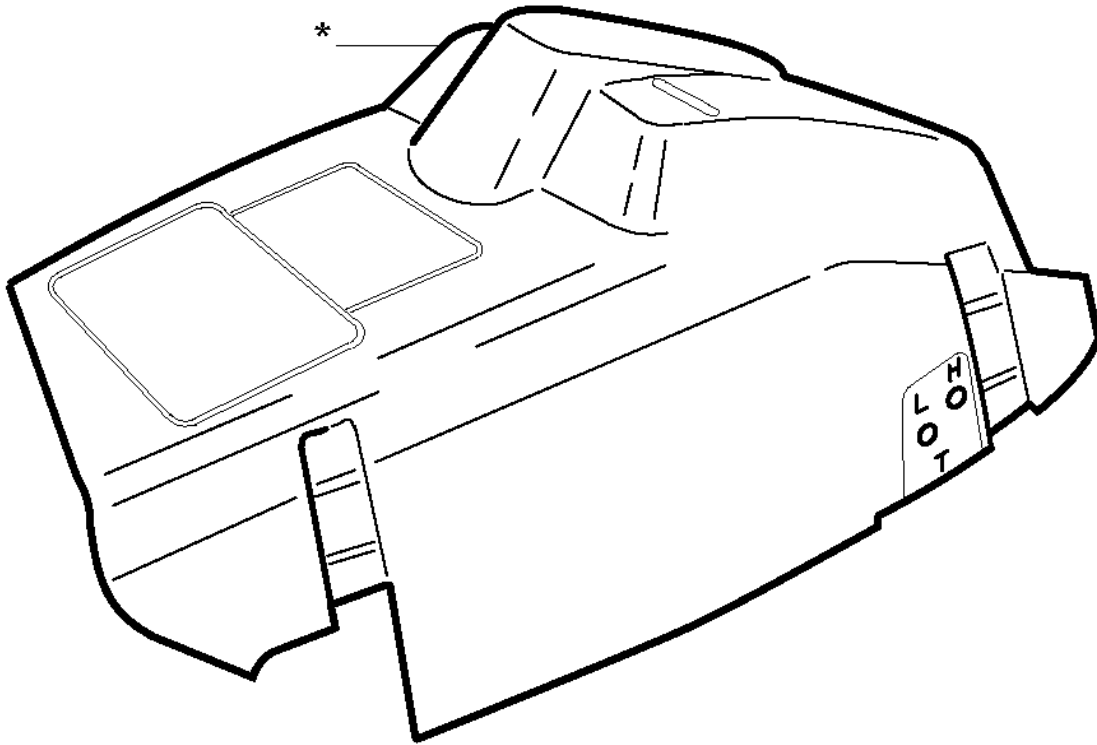


CLUTCH & OIL PUMP

351, from 2015-07 -

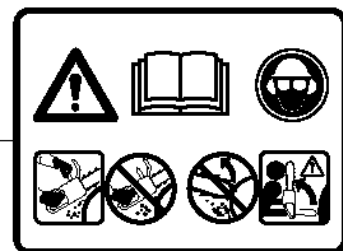
| Part No | Description | Remark | QTY KIT |
|--------------|----------------|-------------|---------|
| 501 45 74-02 | RIM | | 1 |
| 503 21 74-12 | SCREW IHSCT | | 1 |
| 503 23 00-60 | WASHER | | 1 |
| 503 25 52-01 | NEEDLE BEARING | | 1 |
| 503 25 52-01 | NEEDLE BEARING | | 1 |
| 503 81 56-01 | CLUTCH SPRING | | 1 |
| 503 81 59-01 | CLUTCH ASSY | | 1 |
| 503 85 47-01 | OIL HOSE | | 1 |
| 503 87 30-72 | CLUTCH DRUM | .325X7 | 1 |
| 503 89 15-01 | SPRING | | 1 |
| 503 89 16-01 | SPRING | | 1 |
| 503 89 20-02 | PUMP PINION | .325X7 SPUR | 1 |
| 503 89 21-02 | PUMP PINION | .325X7 RIM | 1 |
| 503 98 00-71 | CLUTCH DRUM | .325X7 | 1 |
| 504 71 00-03 | OIL PLUMMET | | 1 |
| 537 02 71-01 | ADJUSTER | | 1 |
| 537 06 91-01 | PUMP PISTON | | 1 |
| 537 10 55-01 | OIL PUMP | | 1 |
| 721 11 64-30 | GROOVED PIN | | 1 |

C *compl 503 90 90-02



503 84 59-01*

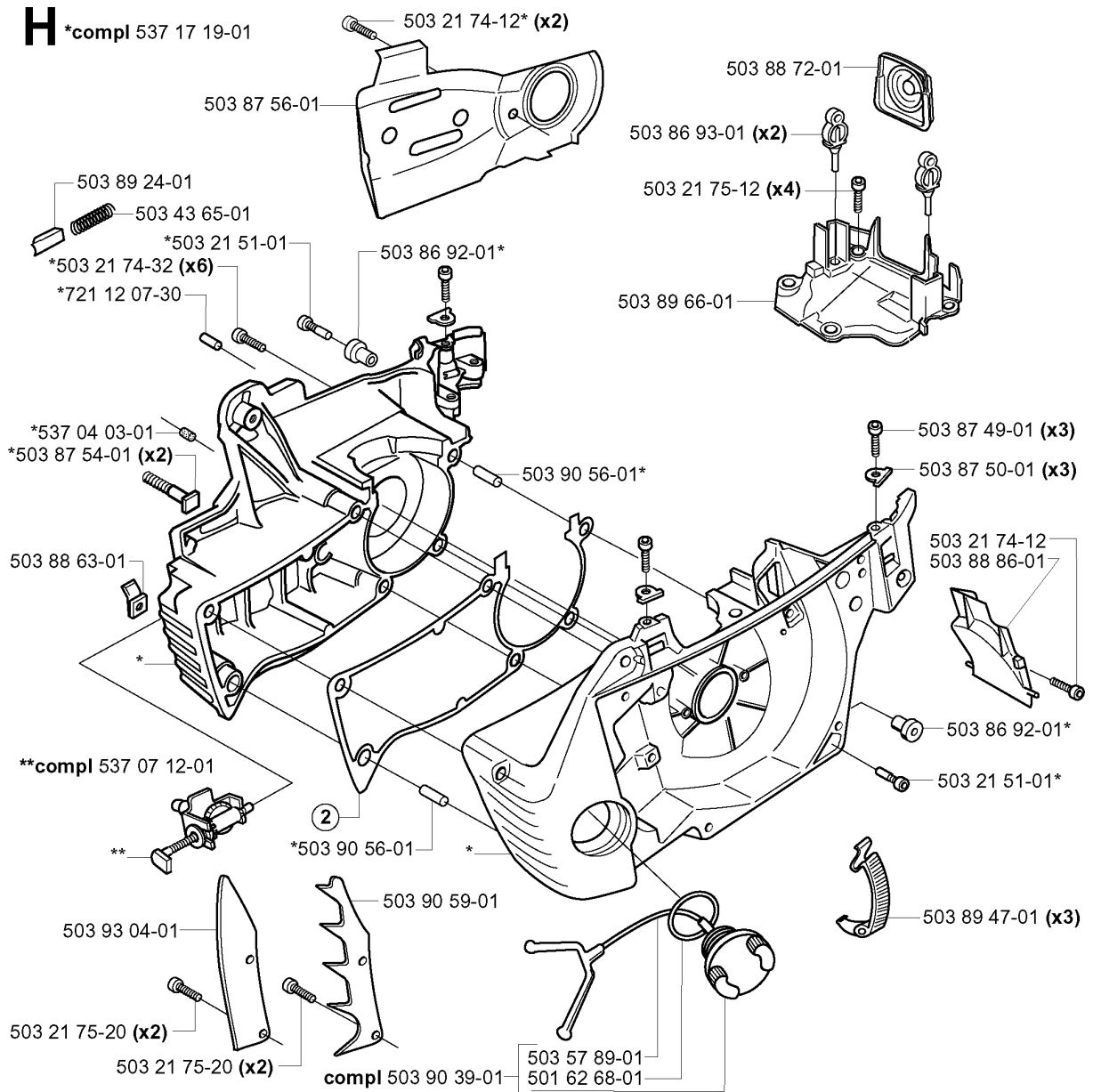
*503 98 74-01



COVER

351, from 2015-07 -

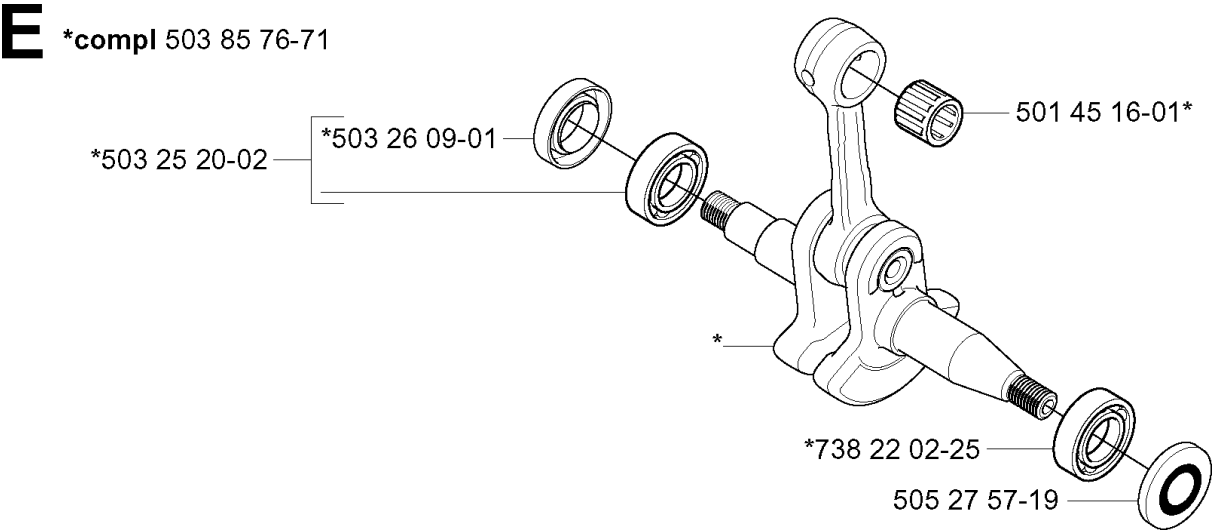
| Part No | Description | Remark | QTY KIT |
|--------------|---------------------|--------|---------|
| 501 63 97-01 | COVER | | 1 |
| 503 84 59-01 | HEAT PROTECTOR | | 1 |
| 503 90 90-02 | CYLINDER COVER ASSY | | 1 |
| 503 98 74-01 | LABEL | | 1 |



CRANKCASE

351, from 2015-07 -

| Part No | Description | Remark | QTY KIT |
|--------------|-------------------|--------|---------|
| 501 62 68-01 | GASKET | | 1 |
| 503 21 51-01 | SCREW IHSCT | | 1 |
| 503 21 51-01 | SCREW IHSCT | | 1 |
| 503 21 74-12 | SCREW IHSCT | | 2 |
| 503 21 74-12 | SCREW IHSCT | | 1 |
| 503 21 74-32 | SCREW IHSCT | | 6 |
| 503 21 75-12 | SCREW IHSCT | | 4 |
| 503 21 75-20 | SCREW IHSCT | | 2 |
| 503 21 75-20 | SCREW IHSCT | | 2 |
| 503 43 65-01 | POSITION SPRING | | 1 |
| 503 57 89-01 | HOLDER | | 1 |
| 503 86 92-01 | LATERAL SUPPORT | | 1 |
| 503 86 92-01 | LATERAL SUPPORT | | 1 |
| 503 86 93-01 | CARBURETTOR | | 2 |
| 503 87 49-01 | GUIDE SCREW | | 3 |
| 503 87 50-01 | WEAR PROTECTION | | 3 |
| 503 87 54-01 | BAR BOLT | | 2 |
| 503 87 56-01 | CHAIN GUIDE PLATE | | 1 |
| 503 88 63-01 | PIN | | 1 |
| 503 88 72-01 | BELLOWS | | 1 |
| 503 88 86-01 | AIR NOZZLE | | 1 |
| 503 89 24-01 | LOCK | | 1 |
| 503 89 47-01 | SNAP | | 3 |
| 503 89 66-01 | CARBURETTOR | | 1 |
| 503 90 39-01 | TANK | | 1 |
| 503 90 56-01 | GUIDE BUSHING | | 1 |
| 503 90 56-01 | GUIDE BUSHING | | 1 |
| 503 90 59-01 | SPIKE | | 1 |
| 503 93 04-01 | BUMPER | | 1 |
| 537 04 03-01 | VALVE | | 1 |
| 537 07 12-01 | CHAIN TENSIONER | | 1 |
| 537 17 19-01 | CRANKCASE ASSY | | 1 |
| 721 12 07-30 | GROOVED PIN | | 1 |



CRANKSHAFT

351, from 2015-07 -

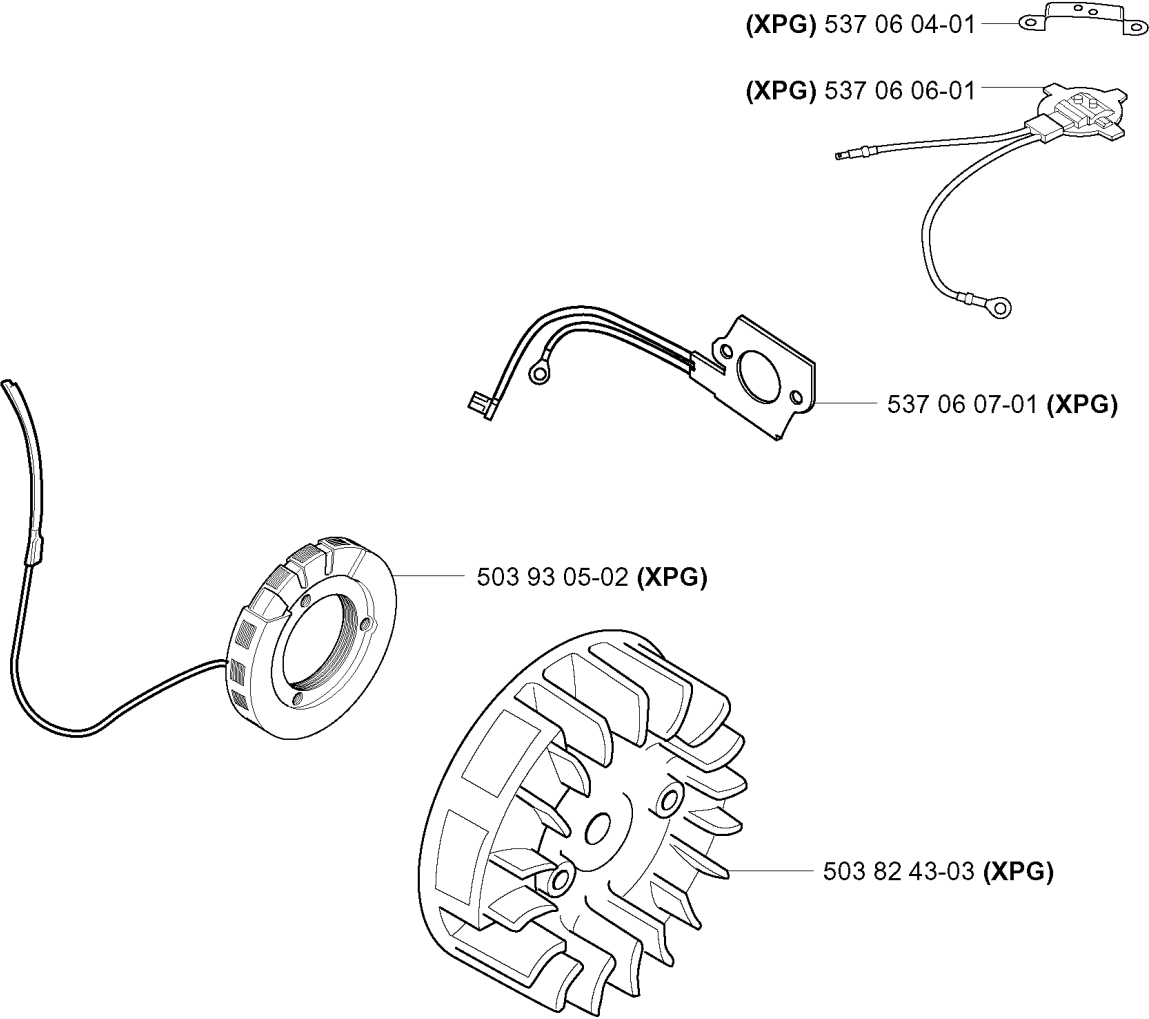
| Part No | Description | Remark | QTY KIT |
|--------------|----------------|--------|---------|
| 501 45 16-01 | NEEDLE BEARING | | 1 |
| 503 25 20-02 | BALL BEARING | | 1 |
| 503 26 09-01 | SEALING | | 1 |
| 503 85 76-71 | CRANKSHAFT | | 1 |
| 505 27 57-19 | SEALING RING | | 1 |
| 738 22 02-25 | BALL BEARING | | 1 |

CYLINDER PISTON

351, from 2015-07 -

| Part No | Description | Remark | QTY KIT |
|--------------|---------------------|--------|---------|
| 501 45 16-01 | NEEDLE BEARING | | 1 |
| 503 21 74-25 | SCREW IHSCT | | 4 |
| 503 23 51-08 | SPARK PLUG | RCJ 7Y | 1 |
| 503 28 90-10 | PISTON RING | | 1 |
| 503 66 54-01 | DECOMPRESSION VALVE | | 1 |
| 503 86 25-01 | GASKET | | 1 |
| 503 86 99-71 | CYLINDER ASSY | | 1 |
| 503 89 44-01 | GASKET | | 1 |
| 503 89 96-71 | PISTON ASSY | | 1 |
| 503 97 13-01 | HEAT DEFLECTOR | | 1 |
| 737 44 10-00 | SNAP RING | | 2 |

Heated carburettor

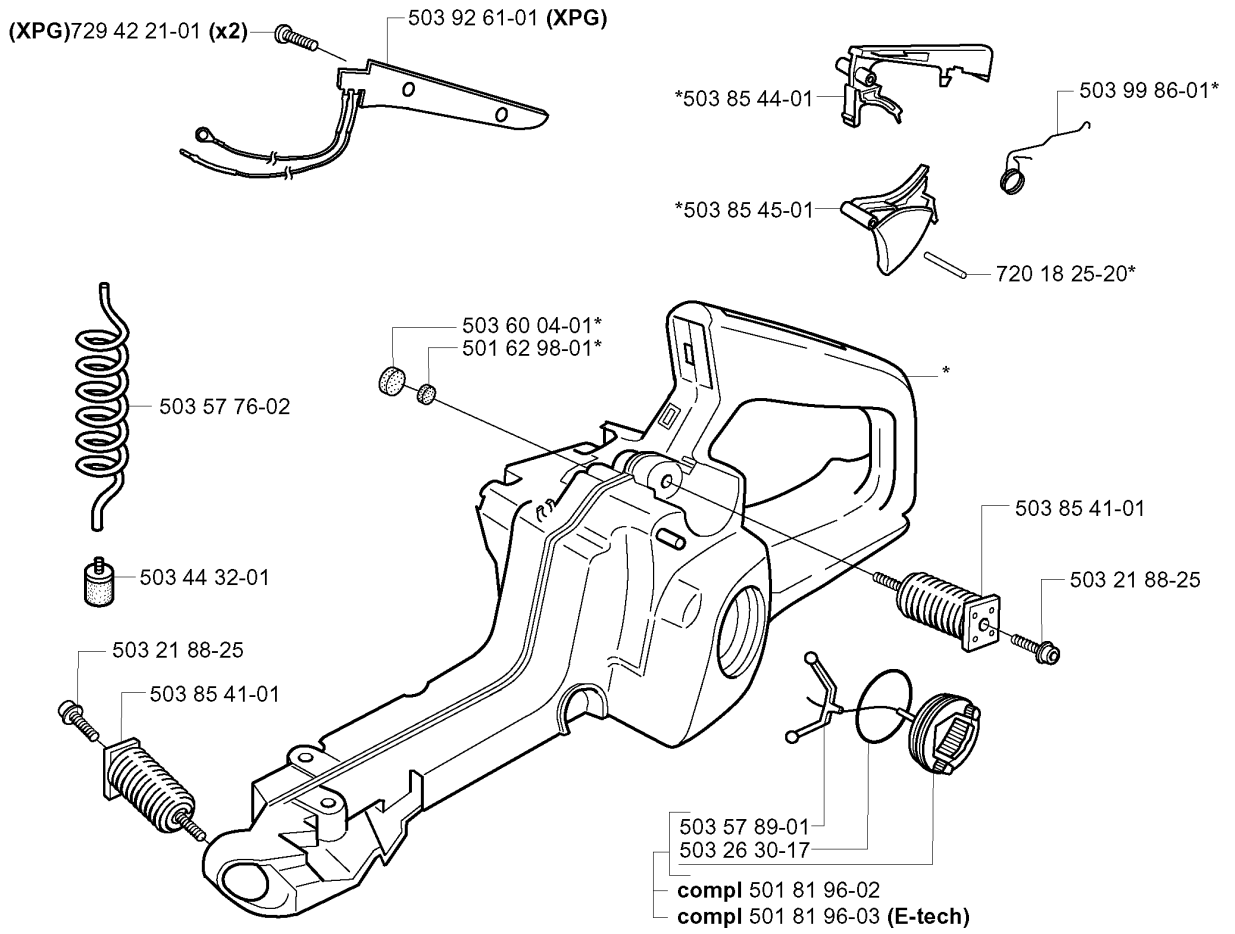


ELECTRICAL

351, from 2015-07 -

| Part No | Description | Remark | QTY KIT |
|--------------|------------------|--------|---------|
| 503 82 43-03 | FLYWHEEL | XPG | 1 |
| 503 93 05-02 | GENERATOR STATOR | XPG | 1 |
| 537 06 04-01 | RETAINER | XPG | 1 |
| 537 06 06-01 | THERMOSTAT | XPG | 1 |
| 537 06 07-01 | FOIL ELEMENT | XPG | 1 |

J *compl 503 86 37-71

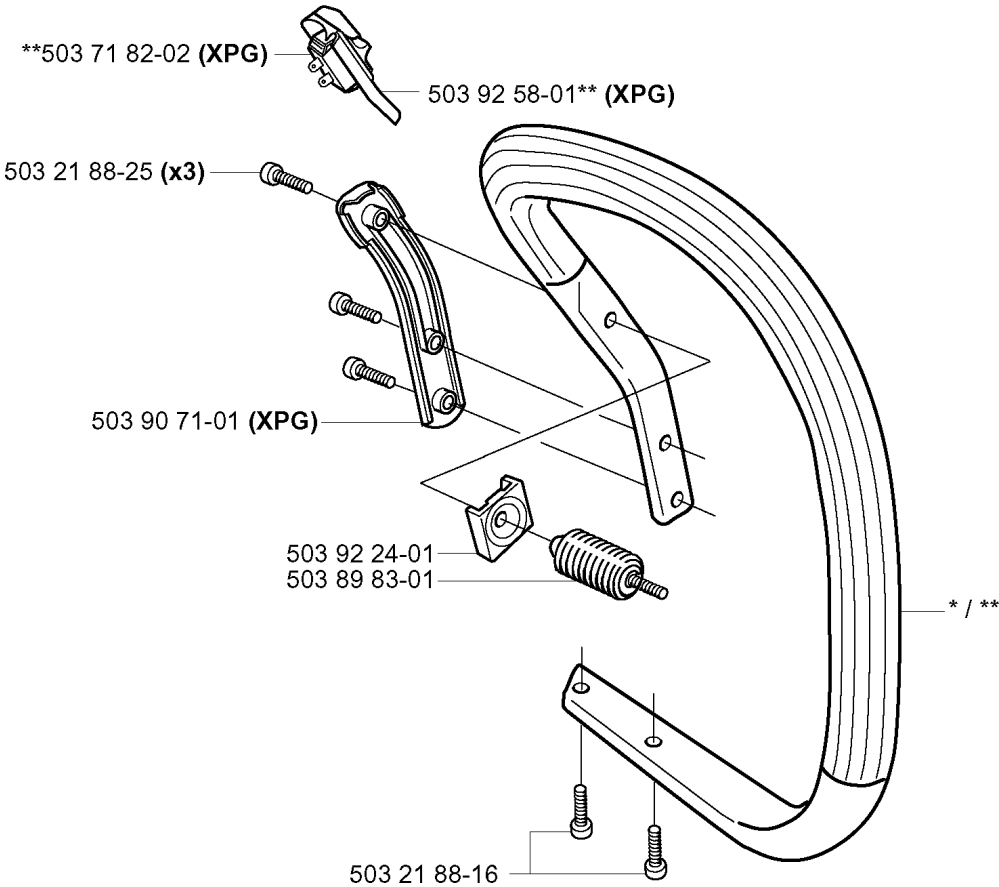


FUEL TANK

351, from 2015-07 -

| Part No | Description | Remark | QTY KIT |
|--------------|-----------------------|--------|---------|
| 501 62 98-01 | VALVE PLUG | | 1 |
| 501 81 96-02 | TANK CAP ASSY | | 1 |
| 501 81 96-03 | TANK CAP ASSY | E-TECH | 1 |
| 503 21 88-25 | SCREW IHSCFT | | 1 |
| 503 21 88-25 | SCREW IHSCFT | | 1 |
| 503 26 30-17 | O-RING | | 1 |
| 503 44 32-01 | FILTER | | 1 |
| 503 57 76-02 | FUEL HOSE | | 1 |
| 503 57 89-01 | HOLDER | | 1 |
| 503 60 04-01 | FILTER PLUG | | 1 |
| 503 85 41-01 | ANTIVIBRATION ELEMENT | | 1 |
| 503 85 41-01 | ANTIVIBRATION ELEMENT | | 1 |
| 503 85 44-01 | THROTTLE LOCKOUT | | 1 |
| 503 85 45-01 | TRIGGER | | 1 |
| 503 86 37-71 | FUEL TANK | | 1 |
| 503 92 61-01 | HEATING PLATE | XPG | 1 |
| 503 99 86-01 | RECOIL SPRING | | 1 |
| 720 18 25-20 | PARALLEL PIN | | 1 |
| 729 42 21-01 | SCREW SLCSTRT | XPG | 2 |

K *compl 503 90 93-01 **compl 503 90 93-02 (XPG)

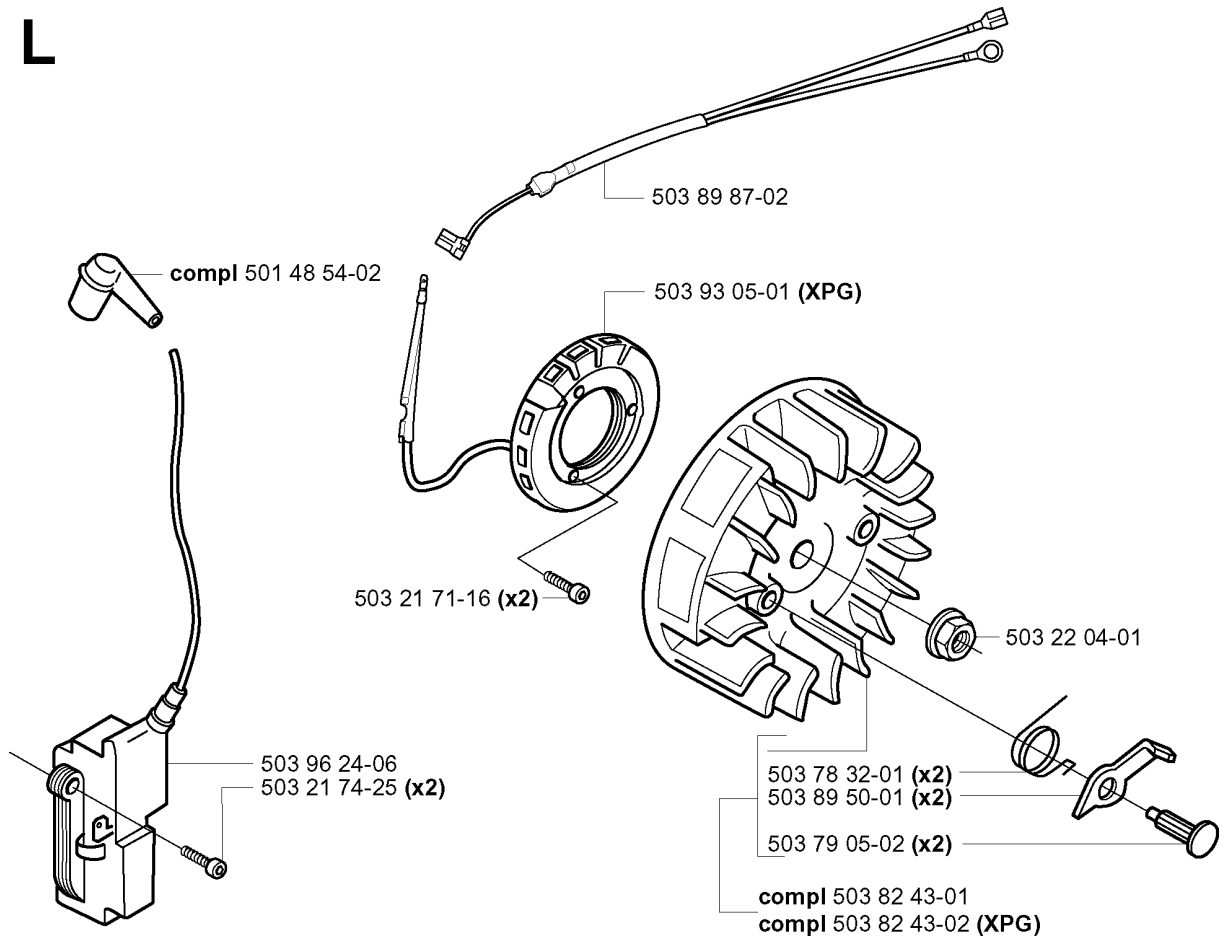


HANDLE

351, from 2015-07 -

| Part No | Description | Remark | QTY KIT |
|--------------|-----------------------|--------|---------|
| 503 21 88-16 | SCREW IHSCCT | | 1 |
| 503 21 88-25 | SCREW IHSCFT | | 3 |
| 503 71 82-02 | SWITCH | XPG | 1 |
| 503 89 83-01 | ANTIVIBRATION ELEMENT | | 1 |
| 503 90 71-01 | COVER | XPG | 1 |
| 503 90 93-01 | HANDLE | | 1 |
| 503 90 93-02 | HANDLE | XPG | 1 |
| 503 92 24-01 | SPACER | | 1 |
| 503 92 58-01 | FRAME | XPG | 1 |

L

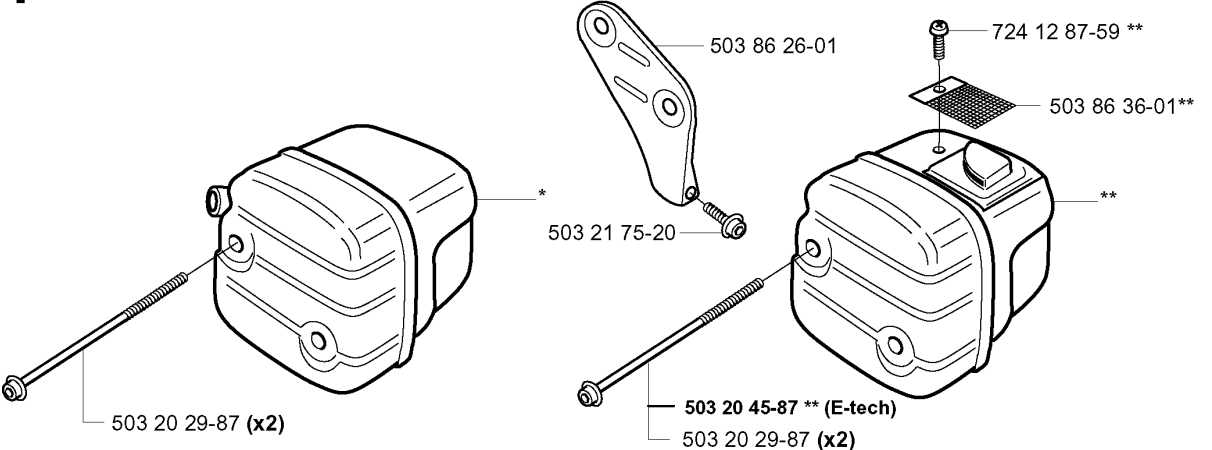


IGNITION SYSTEM

351, from 2015-07 -

| Part No | Description | Remark | QTY KIT |
|--------------|-------------------|--------|---------|
| 501 48 54-02 | SPARK PLUG CAP | | 1 |
| 503 21 71-16 | SCREW IHSCT | | 2 |
| 503 21 74-25 | SCREW IHSCT | | 2 |
| 503 22 04-01 | NUT | | 1 |
| 503 78 32-01 | SPRING | | 2 |
| 503 79 05-02 | RIVET | | 2 |
| 503 82 43-01 | FLYWHEEL | | 1 |
| 503 82 43-02 | FLYWHEEL | XPG | 1 |
| 503 89 50-01 | STARTER PAWL | | 2 |
| 503 89 87-02 | WIRING ASSY | | 1 |
| 503 93 05-01 | GENERATOR STATOR | XPG | 1 |
| 503 96 24-06 | ELECTRONIC MODULE | | 1 |

F *compl 503 86 27-02 (EU)



MUFFLER

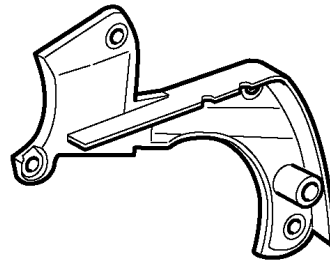
351, from 2015-07 -

| Part No | Description | Remark | QTY KIT |
|--------------|-----------------------|--------|---------|
| 503 20 29-87 | SCREW IHSCFM | | 2 |
| 503 20 29-87 | SCREW IHSCFM | | 2 |
| 503 20 45-87 | SCREW IHSCFM | E-TECH | 1 |
| 503 21 75-20 | SCREW IHSCF | | 1 |
| 503 86 26-01 | SUPPORT LEG | | 1 |
| 503 86 27-02 | MUFFLER ASSY | EU | 1 |
| 503 86 28-02 | MUFFLER ASSY | DF | 1 |
| 503 86 36-01 | SPARK ARRESTOR SCREEN | | 1 |
| 537 07 54-01 | MUFFLER CAT | E-TECH | 1 |
| 724 12 87-59 | SCREW CRPANM | | 1 |

Q



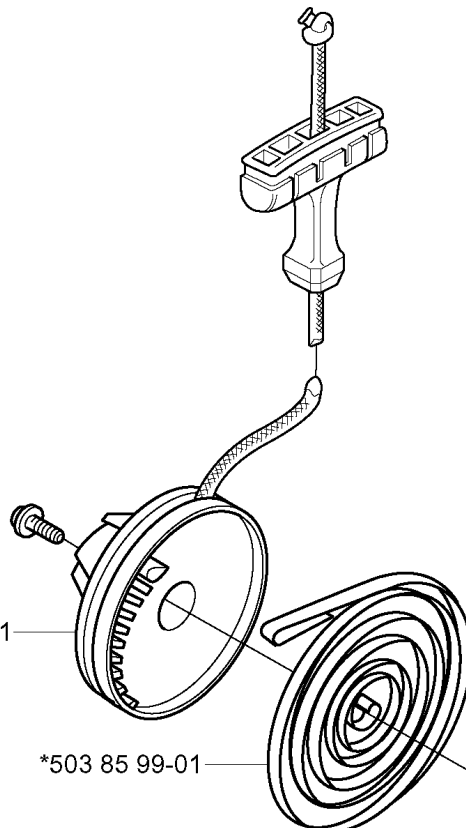
Up to 991499999 (1999)



503 89 07-02



Up to 010500001 (2001)



*503 87 63-01

*503 85 99-01

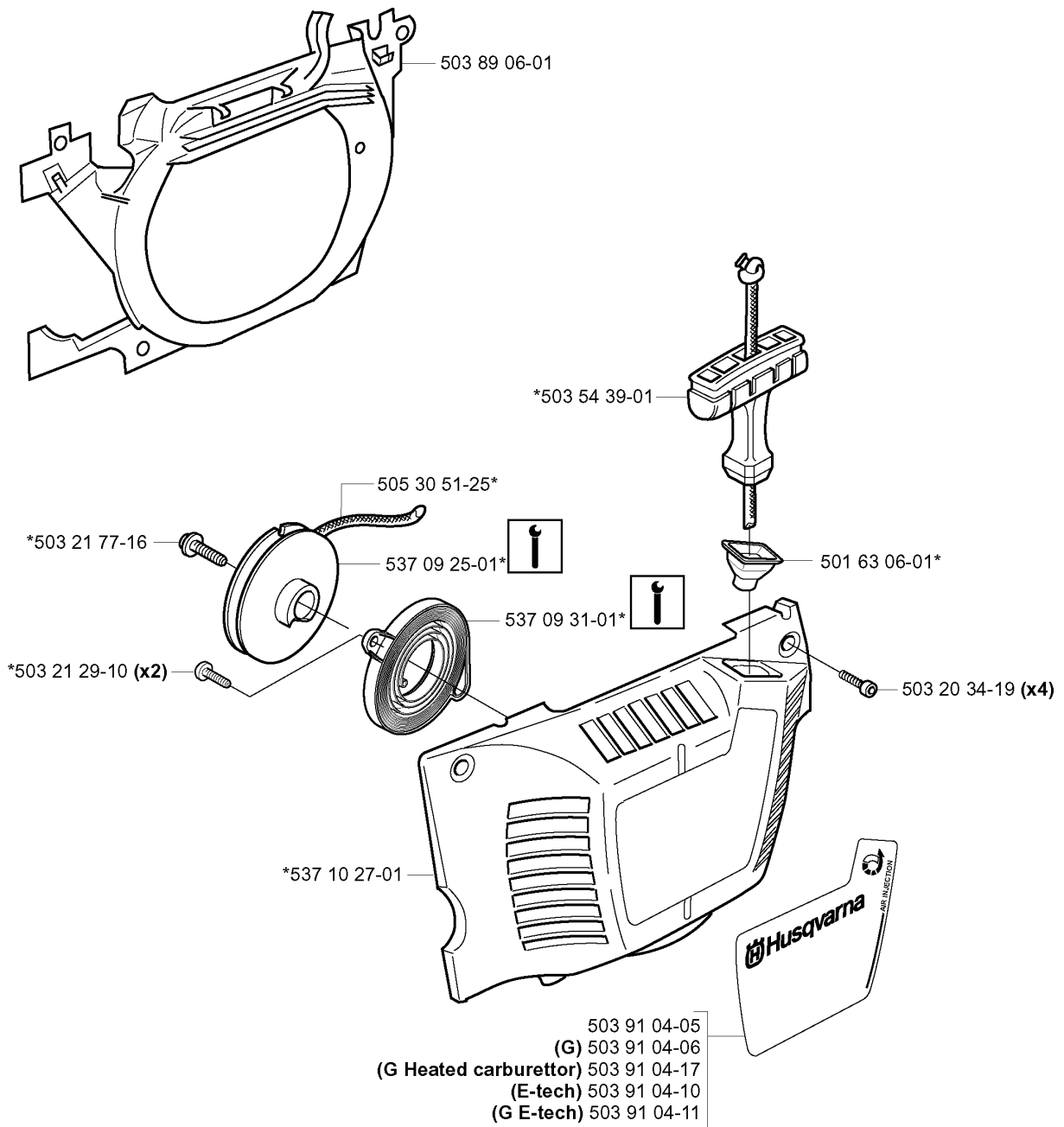
SERVICE UPDATES

351, from 2015-07 -

| Part No | Description | Remark | QTY KIT |
|--------------|----------------|--------|---------|
| 503 85 99-01 | RECOIL SPRING | | 1 |
| 503 87 63-01 | STARTER PULLEY | | 1 |
| 503 89 07-02 | HUB CAP | | 1 |

M

*compl 537 10 47-01



STARTER

351, from 2015-07 -

| Ref | Part No | Description | Remark | QTY KIT |
|--------------|--------------|----------------------|-------------------------|---------|
| 537 10 47-01 | 537 10 47-01 | STARTER ASSY | | 1 |
| 503 21 77-16 | 503 21 77-16 | SCREW IHSC | | 1 |
| 503 21 29-10 | 503 21 29-10 | SCREW CCRPANT | | 2 |
| 537 10 27-01 | 537 10 27-01 | STARTER HOUSING | | 1 |
| 503 91 04-05 | 503 91 04-05 | LABEL | | 1 |
| 503 91 04-06 | 503 91 04-06 | LABEL | G | 1 |
| 503 91 04-17 | 503 91 04-17 | LABEL | G HEATED CARBURETTOR | 1 |
| 503 91 04-10 | 503 91 04-10 | LABEL | E-TECH | 1 |
| 503 91 04-11 | 503 91 04-11 | LABEL | G E-TECH | 1 |
| 503 20 34-19 | 503 20 34-19 | SCREW CCRPANMO | | 4 |
| 501 63 06-01 | 501 63 06-01 | SLEEVE | | 1 |
| 537 09 31-01 | 537 09 31-01 | SPRING CASSETTE ASSY | | 1 |
| 537 09 25-01 | 537 09 25-02 | STARTER PULLEY | | 1 |
| 505 30 51-25 | 505 30 51-25 | STARTER CORD | | 1 |
| 503 54 39-01 | 503 54 39-01 | STARTER HANDLE | | 1 |
| 503 89 06-01 | 503 89 06-01 | AIR CONDUCTOR | | 1 |

Illustrated Parts List - IPL Update



Product Name(s)

H351

Description of change

New Starter pulley added.

Comments

Fully interchangeable

Introduced from

| Serial number / Date | Remark |
|-----------------------------|---|
| S/n 20151000001 | New Starter pulley 537 09 25-02 added. |
| 2015-07-01 | New Starter pulley 537 09 25-02 added. North America. |

IPL updates

| Page Title | Ref. no | New part no | Name | Excl. part no. | Remark |
|-------------------|----------------|--------------------|----------------|-----------------------|---------------|
| Starter | 6 | 5370925-02 | Starter pulley | 5370925-01 | |
| | | | | | |
| | | | | | |
| | | | | | |