

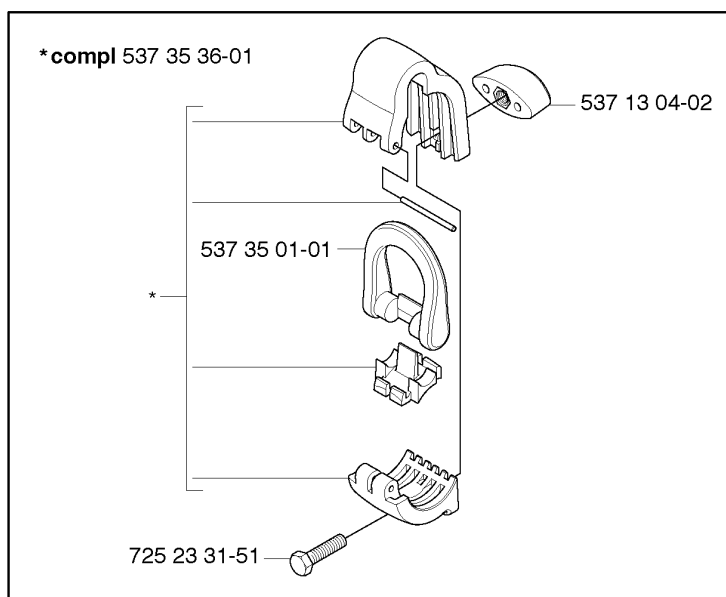
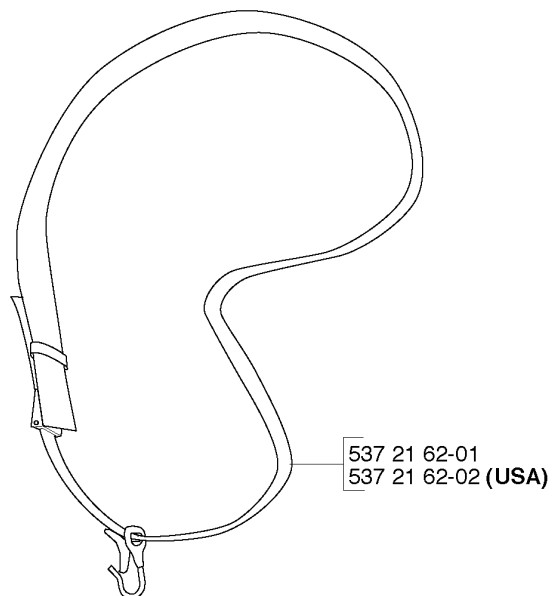
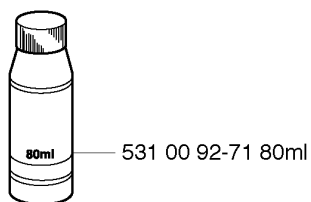
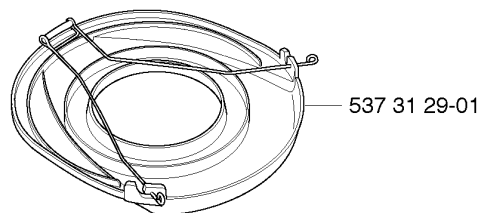
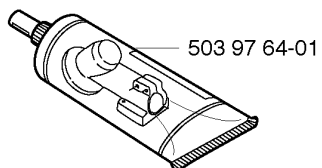
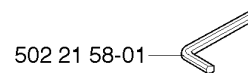
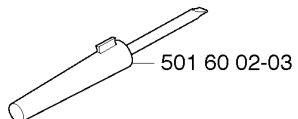
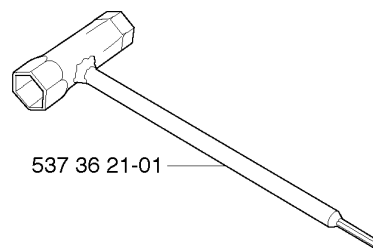
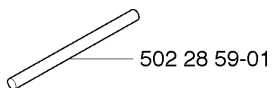


SPARE PARTS LIST

TRIMMERS/EDGERS

524 LK

R1 Accessories
Zubehöre
Accessoires
Accesorios
Tillbehör

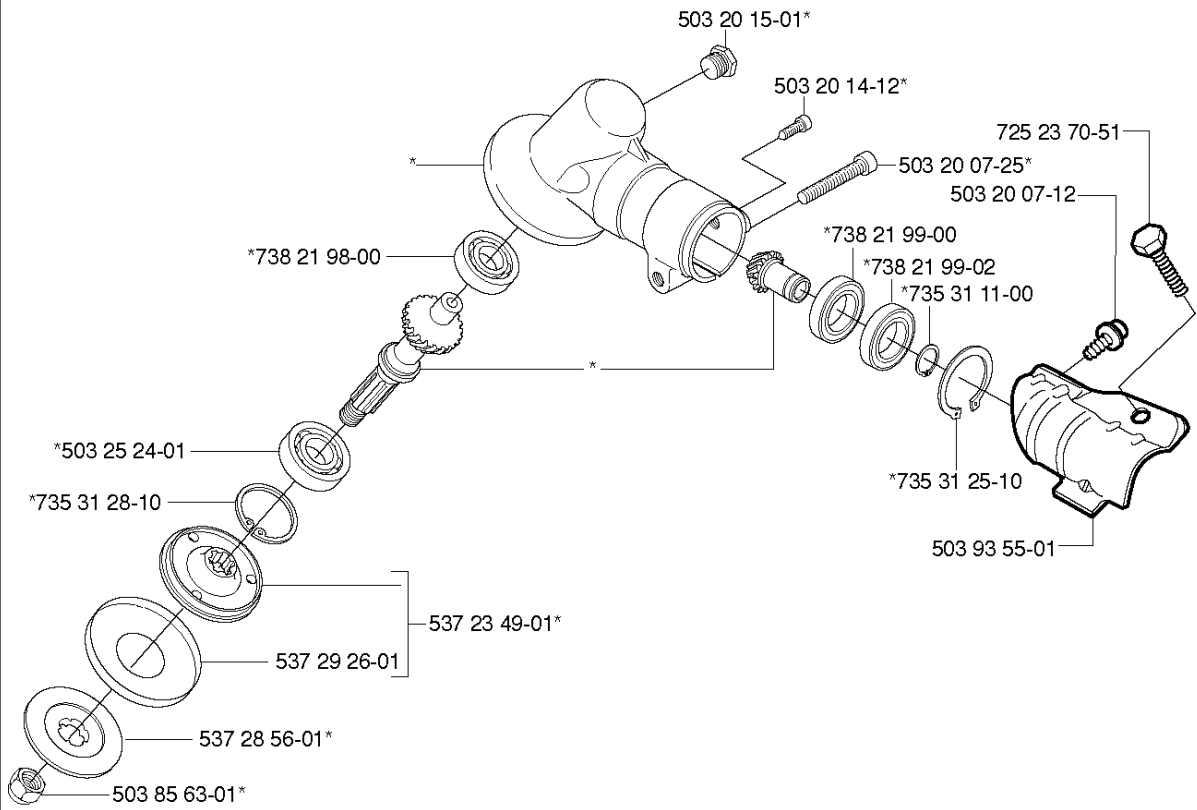


ACCESSORIES

524 LK

Part No	Description	Remark	QTY KIT
501 60 02-03	SCREWDRIVER		1
502 21 58-01	L-NYCKEL		1
502 28 59-01	STOP		1
503 97 64-01	GREASE		1
531 00 92-71	4T OIL		1
537 13 04-02	KNOB		1
537 21 62-01	HARNESS		1
537 21 62-02	HARNESS		1
537 31 29-01	SAW BLADE GUARD		1
537 35 01-01	LOOP		1
537 35 36-01	LOOP		1
537 36 21-01	COMBINATION WRENCH		1
725 23 31-51	SCREW		1

A 524LK
BEVEL GEAR
*compl 537 19 92-02

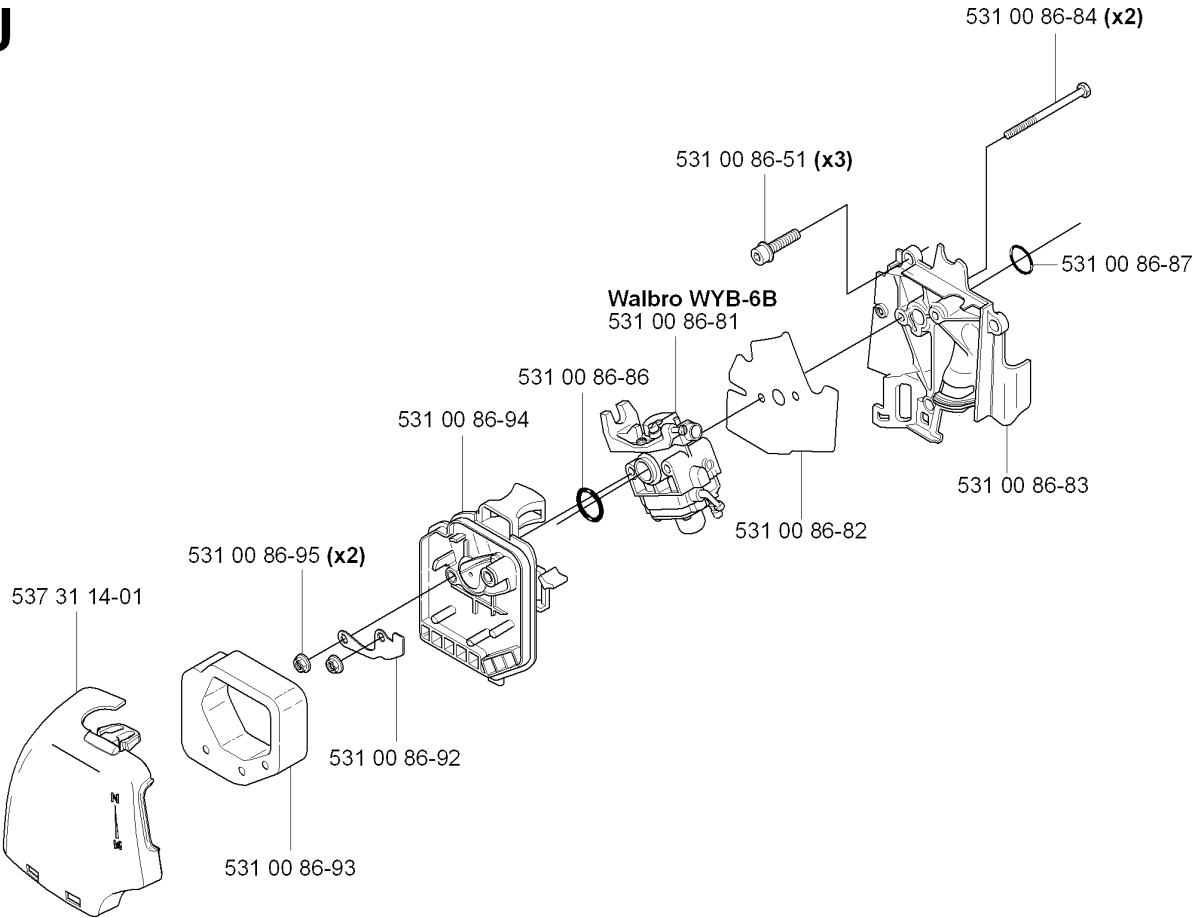


BEVEL GEAR

524 LK

Part No	Description	Remark	QTY KIT
503 20 07-12	SCREW IHSCFM		1
503 20 07-25	SCREW IHSCFM		1
503 20 14-12	SCREW IHSCFMO		1
503 20 15-01	SCREW IHHM		1
503 25 24-01	BALL BEARING		1
503 85 63-01	NUT		1
503 93 55-01	CLAMP.GUARD		1
537 19 92-02	BEVEL GEAR ASSY		1
537 23 49-01	DRIVER ASSY		1
537 28 56-01	SUPPORT FLANGE		1
537 29 26-01	CUP		1
725 23 70-51	SCREW		1
735 31 11-00	CIRCLIP		1
735 31 25-10	CIRCLIP		1
735 31 28-10	CIRCLIP		1
738 21 98-00	BALL BEARING		1
738 21 99-00	BALL BEARING		1
738 21 99-02	BALL BEARING		1

J



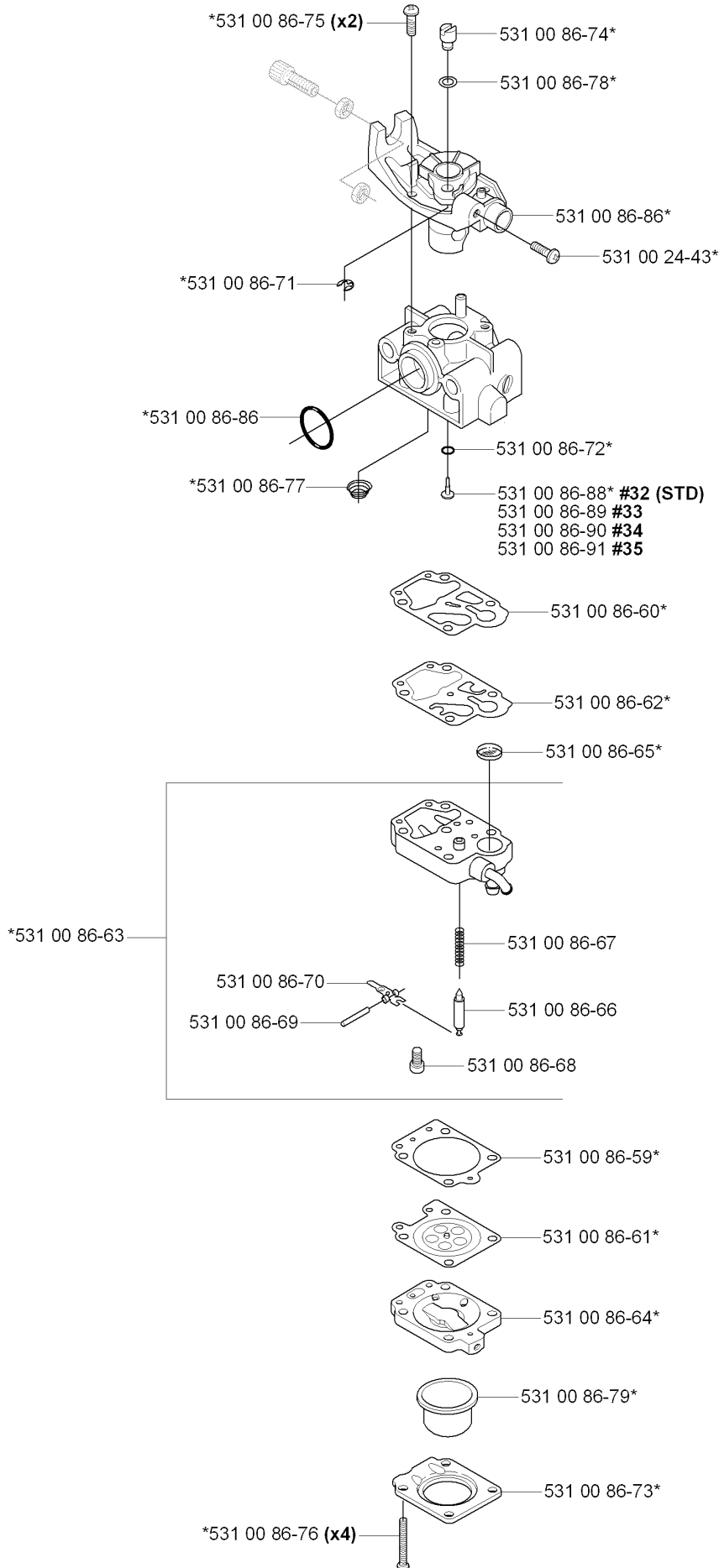
CARBURETOR & AIR FILTER

524 LK

Part No	Description	Remark	QTY KIT
531 00 86-51	SCREW		3
531 00 86-81	CARBURETTOR		1
531 00 86-82	GASKET		1
531 00 86-83	MANIFOLD		1
531 00 86-84	SCREW		2
531 00 86-86	O-RING		1
531 00 86-87	O-RING		1
531 00 86-92	PLATE		1
531 00 86-93	AIR FILTER		1
531 00 86-94	AIR FILTER HOLDER		1
531 00 86-95	NUT		2
537 31 14-01	FILTER COVER		1

S *compl 531 00 86-81 Walbro WYB-6B

Walbro WYB-6B

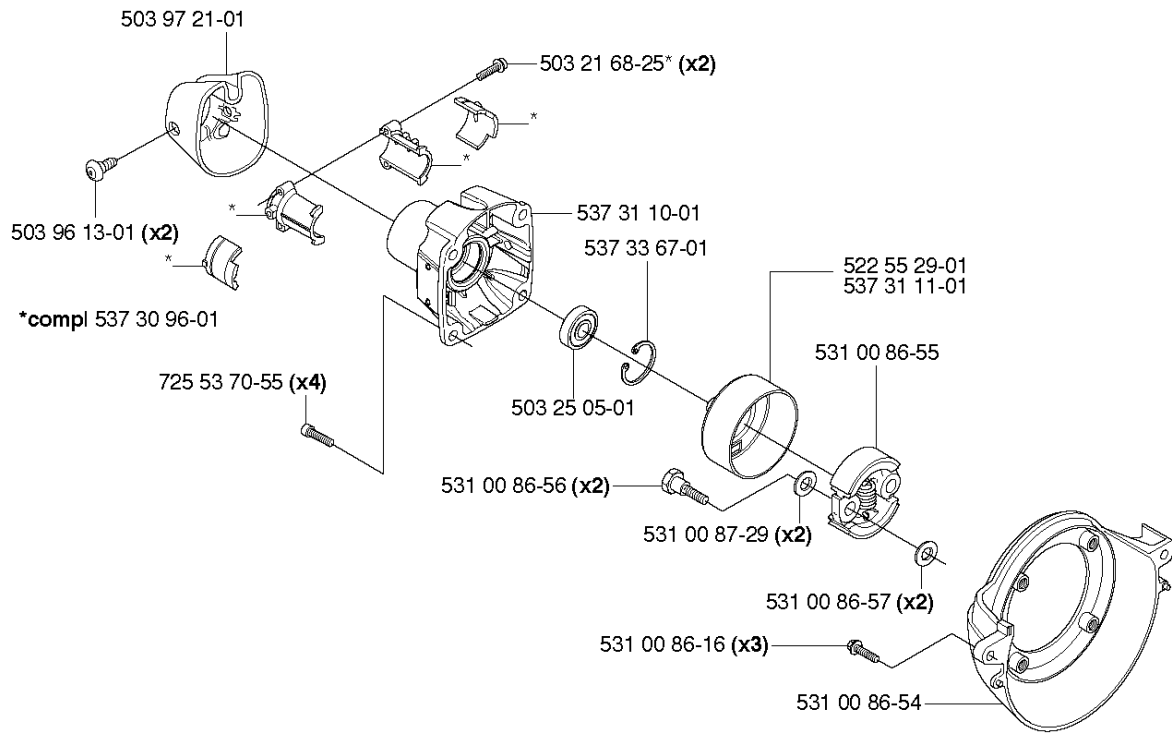


CARBURETOR DETAILS

524 LK

Part No	Description	Remark	QTY KIT
531 00 24-43	SCREW		1
531 00 86-59	GASKET		1
531 00 86-60	GASKET		1
531 00 86-61	SPARE PARTS		1
531 00 86-62	SPARE PARTS		1
531 00 86-63	PUMP HOUSING		1
531 00 86-64	HOUSING		1
531 00 86-65	FILTER		1
531 00 86-66	NEEDLE VALVE		1
531 00 86-67	SPRING		1
531 00 86-68	SCREW		1
531 00 86-69	SHAFT		1
531 00 86-70	LEVER		1
531 00 86-71	CIRCLIP		1
531 00 86-72	O-RING		1
531 00 86-73	HUB CAP		1
531 00 86-74	SWIVEL		1
531 00 86-75	SCREW		2
531 00 86-76	SCREW		4
531 00 86-77	SPRING		1
531 00 86-78	WASHER		1
531 00 86-79	SPARE PARTS		1
531 00 86-81	CARBURETTOR		1
531 00 86-86	O-RING		1
531 00 86-88	SPARE PARTS		1
531 00 86-89	SPARE PARTS		1
531 00 86-90	SPARE PARTS		1
531 00 86-91	SPARE PARTS		1
544 19 33-01	CARBURETTOR		1

N 524LK
CLUTCH

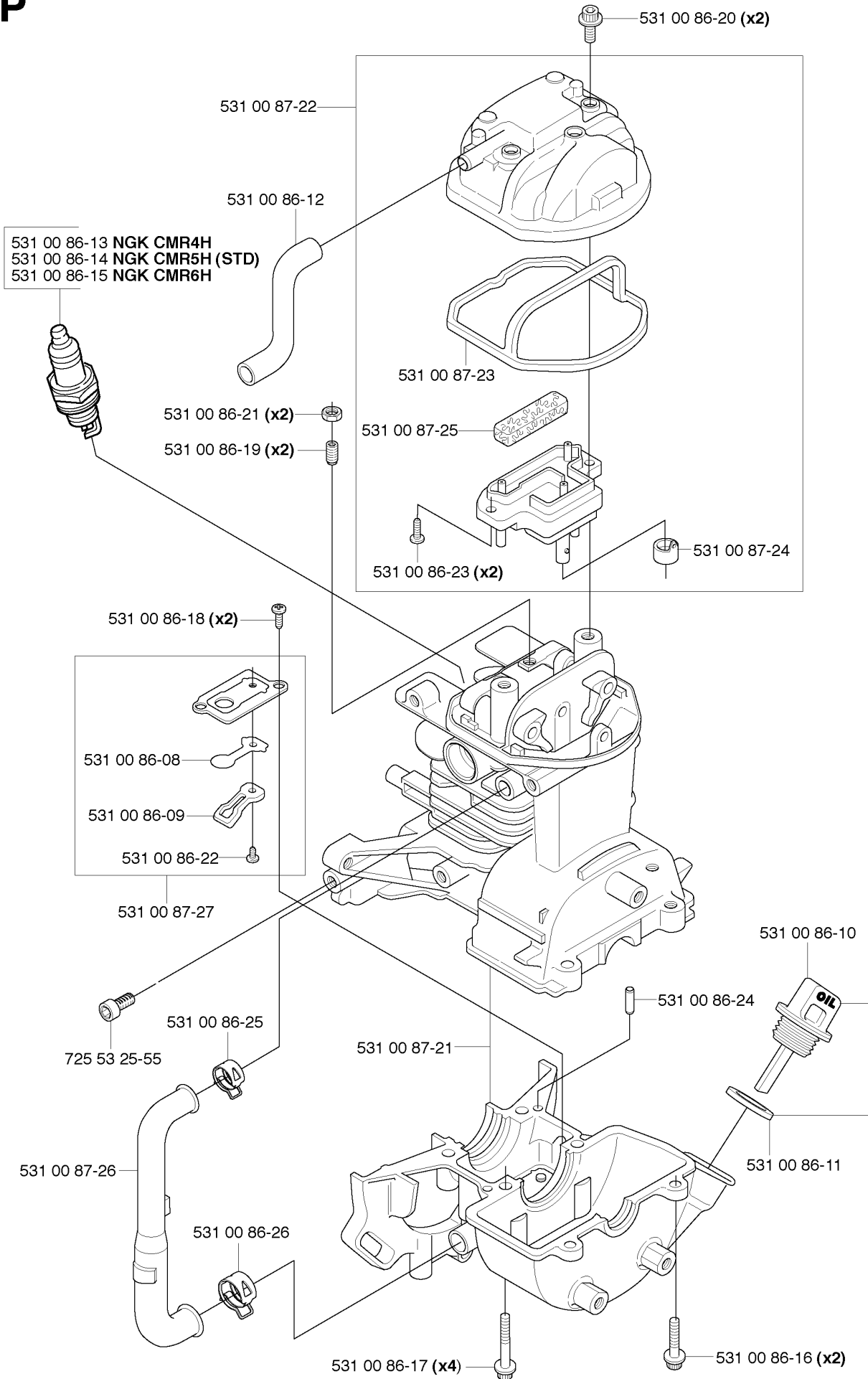


CLUTCH

524 LK

Part No	Description	Remark	QTY KIT
503 21 68-25	SCREW IHSCFT		2
503 25 05-01	BALL BEARING		1
503 96 13-01	SCREW		2
503 97 21-01	COVER		1
522 55 29-01	CLUTCH DRUM ASSY	Square	1
531 00 86-16	SCREW		3
531 00 86-54	FAN HOUSING		1
531 00 86-55	CLUTCH ASSY		1
531 00 86-56	SCREW		2
531 00 86-57	WASHER		2
531 00 87-29	WASHER		2
537 30 96-01	COMPRESSION SLEEVE		1
537 31 10-01	CLUTCH COVER		1
537 31 11-01	CLUTCH DRUM	Thread	1
537 33 67-01	CIRCLIP		1
725 53 70-55	SCREW IHSCM		4

P

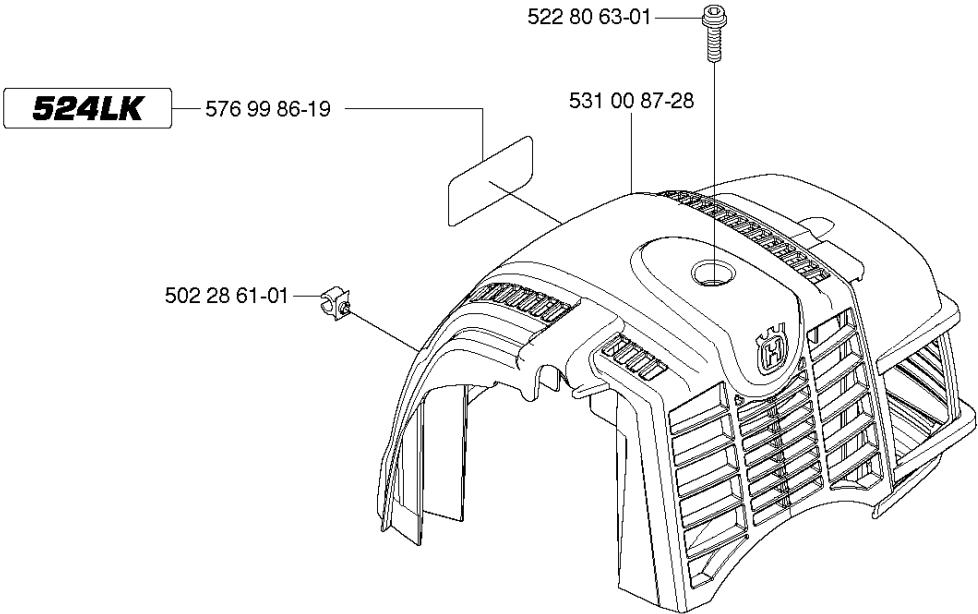


CYLINDER & CRANKCASE

524 LK

Part No	Description	Remark	QTY KIT
531 00 86-08	SPARE PARTS		1
531 00 86-09	DEFLECTION LIMITER		1
531 00 86-10	SPARE PARTS		1
531 00 86-11	GASKET		1
531 00 86-12	OIL HOSE		1
531 00 86-13	SPARK PLUG		1
531 00 86-14	SPARK PLUG		1
531 00 86-15	SPARK PLUG		1
531 00 86-16	SCREW		2
531 00 86-17	SCREW		4
531 00 86-18	SCREW		2
531 00 86-19	ADJUSTER		2
531 00 86-20	SCREW		2
531 00 86-21	LOCK NUT		2
531 00 86-22	SCREW		1
531 00 86-23	SCREW		2
531 00 86-24	SPRING PIN		1
531 00 86-25	HOSE CLAMP		1
531 00 86-26	HOSE CLAMP		1
531 00 87-21	CRANKCASE		1
531 00 87-22	COVER		1
531 00 87-23	GASKET		1
531 00 87-24	GROMMET		1
531 00 87-25	FILTER		1
531 00 87-26	OIL HOSE		1
531 00 87-27	NON RETURN VALVE		1
725 53 25-55	SCREW IHSCM		1

G 524LK
CYLINDER COVER

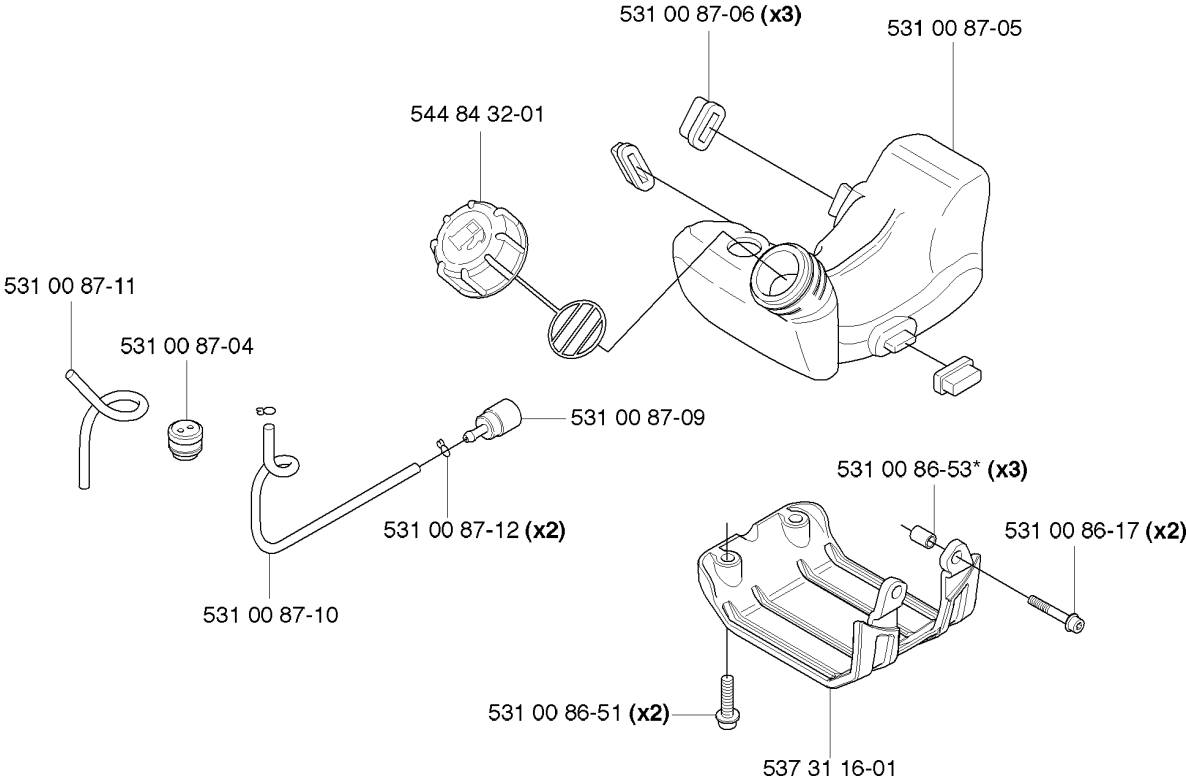


CYLINDER COVER

524 LK

Part No	Description	Remark	QTY KIT
502 28 61-01	CLIP		1
522 80 63-01	SCREW		1
531 00 87-28	CYLINDER COVER ASSY		1
576 99 86-19	LABEL		1

K

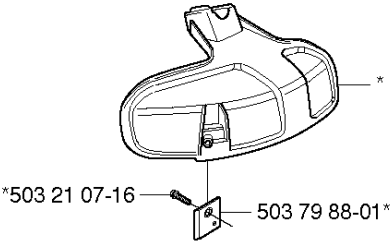


FUEL TANK

524 LK

Part No	Description	Remark	QTY KIT
531 00 86-17	SCREW		2
531 00 86-51	SCREW		2
531 00 86-53	SLEEVE		3
531 00 87-04	GROMMET		1
531 00 87-05	FUEL TANK		1
531 00 87-06	ELEMENT		3
531 00 87-09	FUEL FILTER		1
531 00 87-10	FUEL HOSE		1
531 00 87-11	RETURN HOSE		1
531 00 87-12	CLIP		2
537 31 16-01	BUMPER		1
544 84 32-01	TANK CAP		1

R 524LK
GUARDS
*compl 503 97 71-01

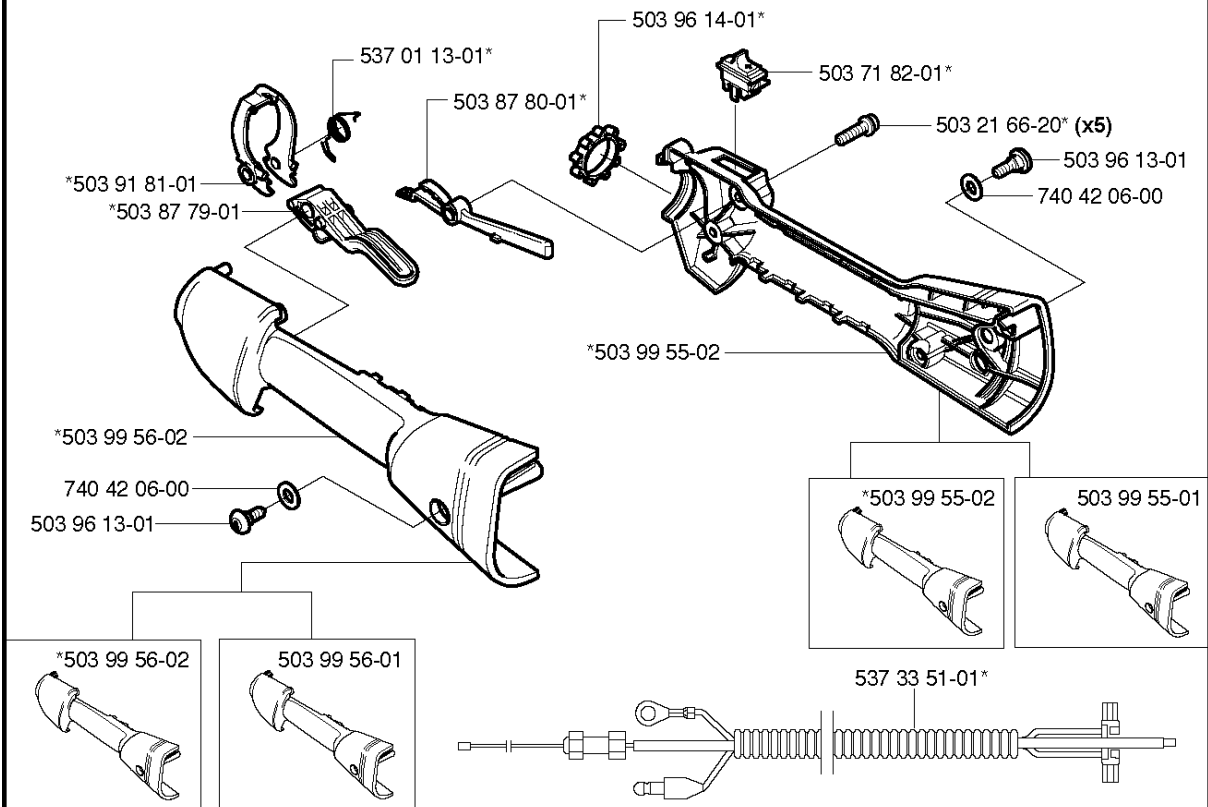


GUARDS

524 LK

Part No	Description	Remark	QTY KIT
503 21 07-16	SCREW IHSCT		1
503 79 88-01	BLADE		1
503 97 71-01	TRIMMER GUARD		1

E 524LK
HANDLE & CONTROLS
*compl 503 85 29-06

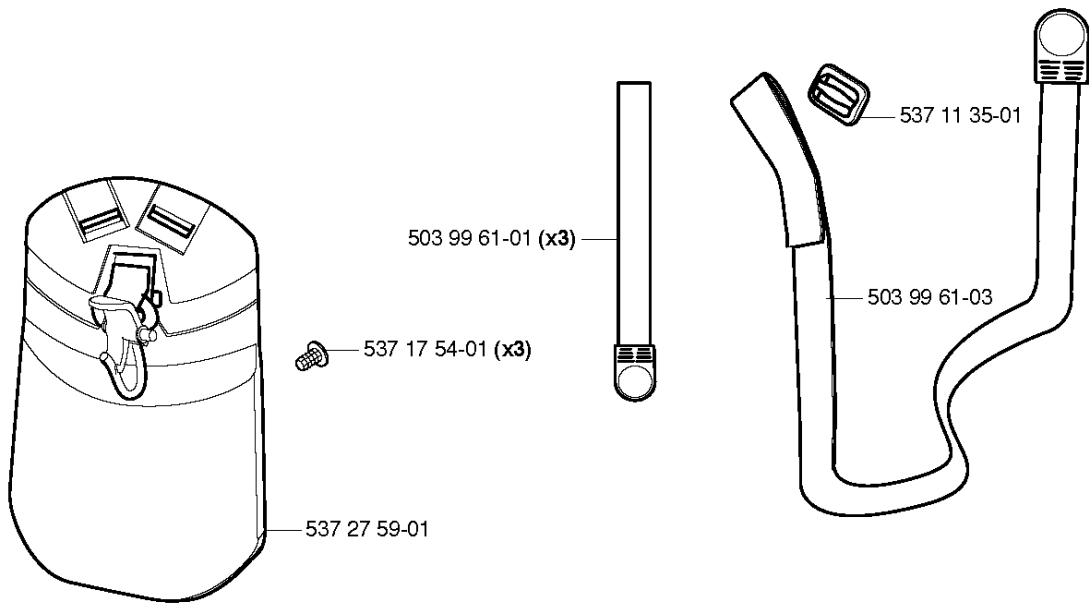
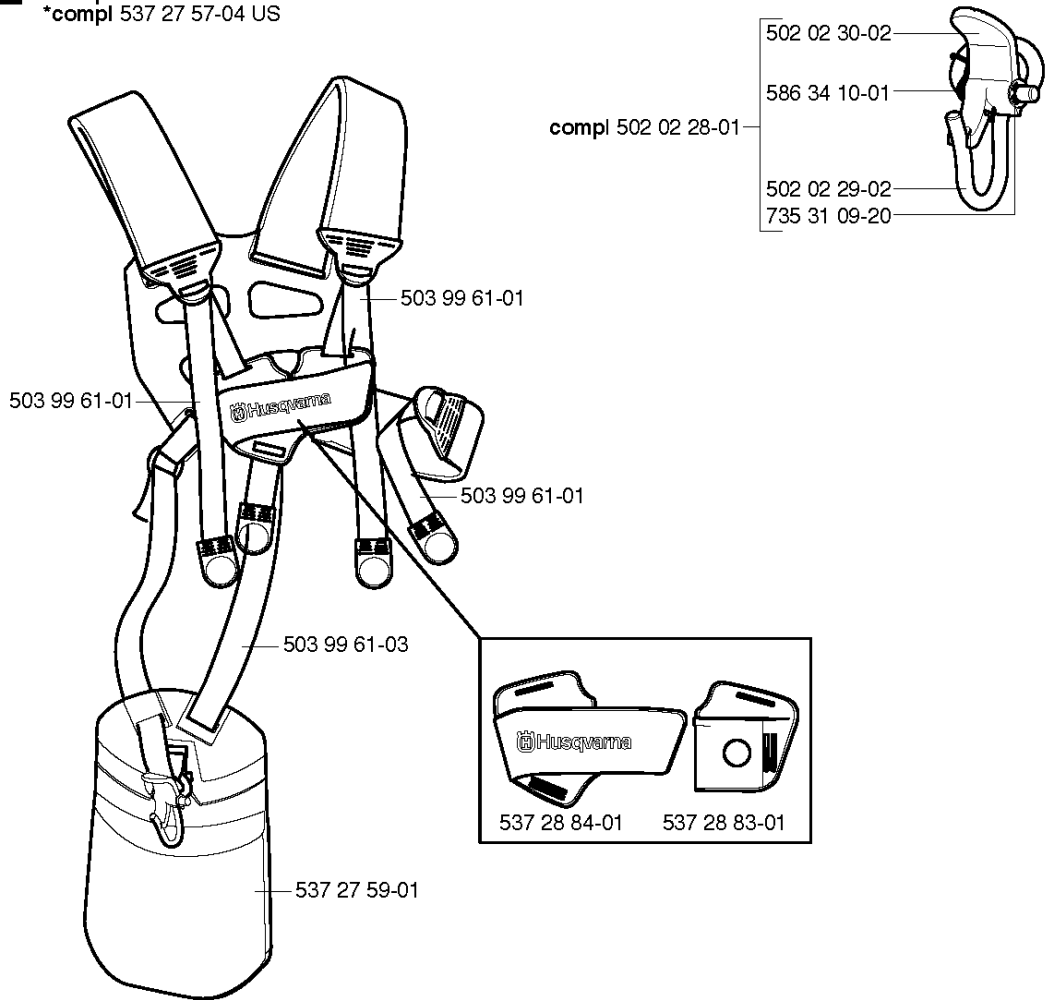


HANDLE & CONTROLS

524 LK

Part No	Description	Remark	QTY KIT
503 21 66-20	SCREW IHSCT		5
503 71 82-01	SWITCH		1
503 85 29-06	HANDLE		1
503 87 79-01	THROTTLE TRIGGER		1
503 87 80-01	THROTTLE LOCKOUT		1
503 91 81-01	THROTTLE LEVER		1
503 96 13-01	SCREW		2
503 96 14-01	ABSORBER		1
503 99 55-01	HANDLE HALF		1
503 99 55-02	HANDLE HALF		1
503 99 56-01	HANDLE HALF		1
503 99 56-02	HANDLE HALF		1
537 01 13-01	RECOIL SPRING		1
537 33 51-01	WIRING ASSY		1
740 42 06-00	O-RING		2

R2 Duo Balance
*compl 537 27 57-02
*compl 537 27 57-04 US

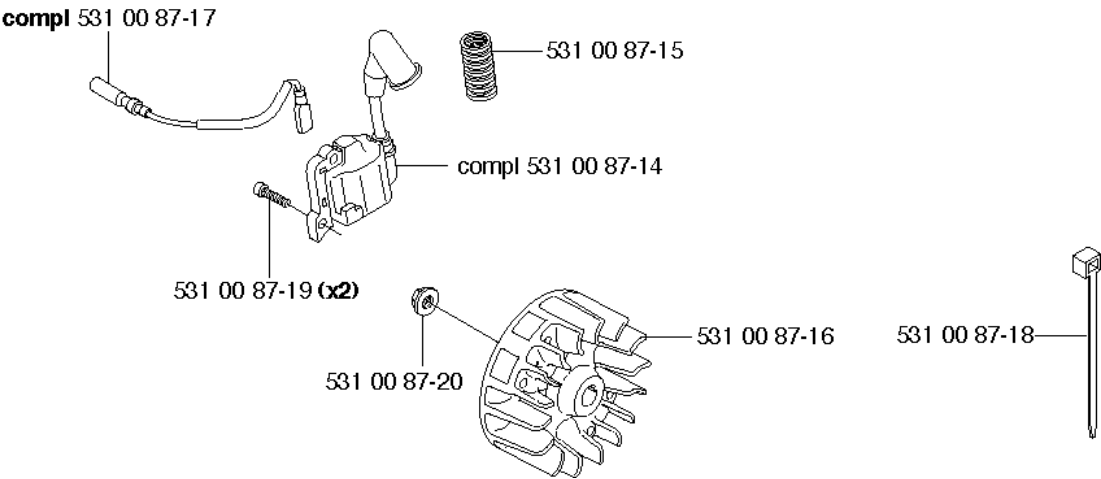


HARNESS

524 LK

Part No	Description	Remark	QTY KIT
502 02 28-01	HARNESS		1
502 02 29-02	HARNESS		1
502 02 30-02	HARNESS		1
503 99 61-01	HARNESS		1
503 99 61-01	HARNESS		1
503 99 61-01	HARNESS		1
503 99 61-01	HARNESS		3
503 99 61-03	BAND		1
503 99 61-03	BAND		1
537 11 35-01	RETAINER		1
537 17 54-01	HARNESS		3
537 27 57-02	HARNESS		1
537 27 57-04	HARNESS		1
537 27 59-01	HIP PAD		1
537 27 59-01	HIP PAD		1
537 28 83-01	FRONT PIECE		1
537 28 84-01	FRONT PIECE		1
586 34 10-01	SPRING		1
735 31 09-20	HARNESS		1

M



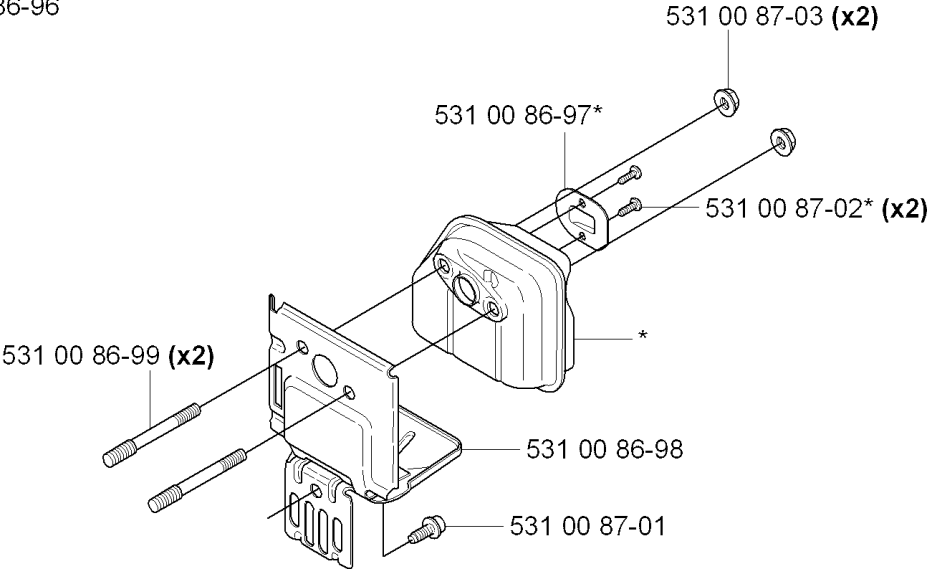
IGNITION SYSTEM

524 LK

Part No	Description	Remark	QTY KIT
531 00 87-14	IGNITION COIL		1
531 00 87-15	PROTECTIVE HOSE		1
531 00 87-16	FLYWHEEL		1
531 00 87-17	SHORT CIRCUIT CABLE		1
531 00 87-18	TIE WRAP		1
531 00 87-19	SCREW		2
531 00 87-20	NUT		1



*compl 531 00 86-96

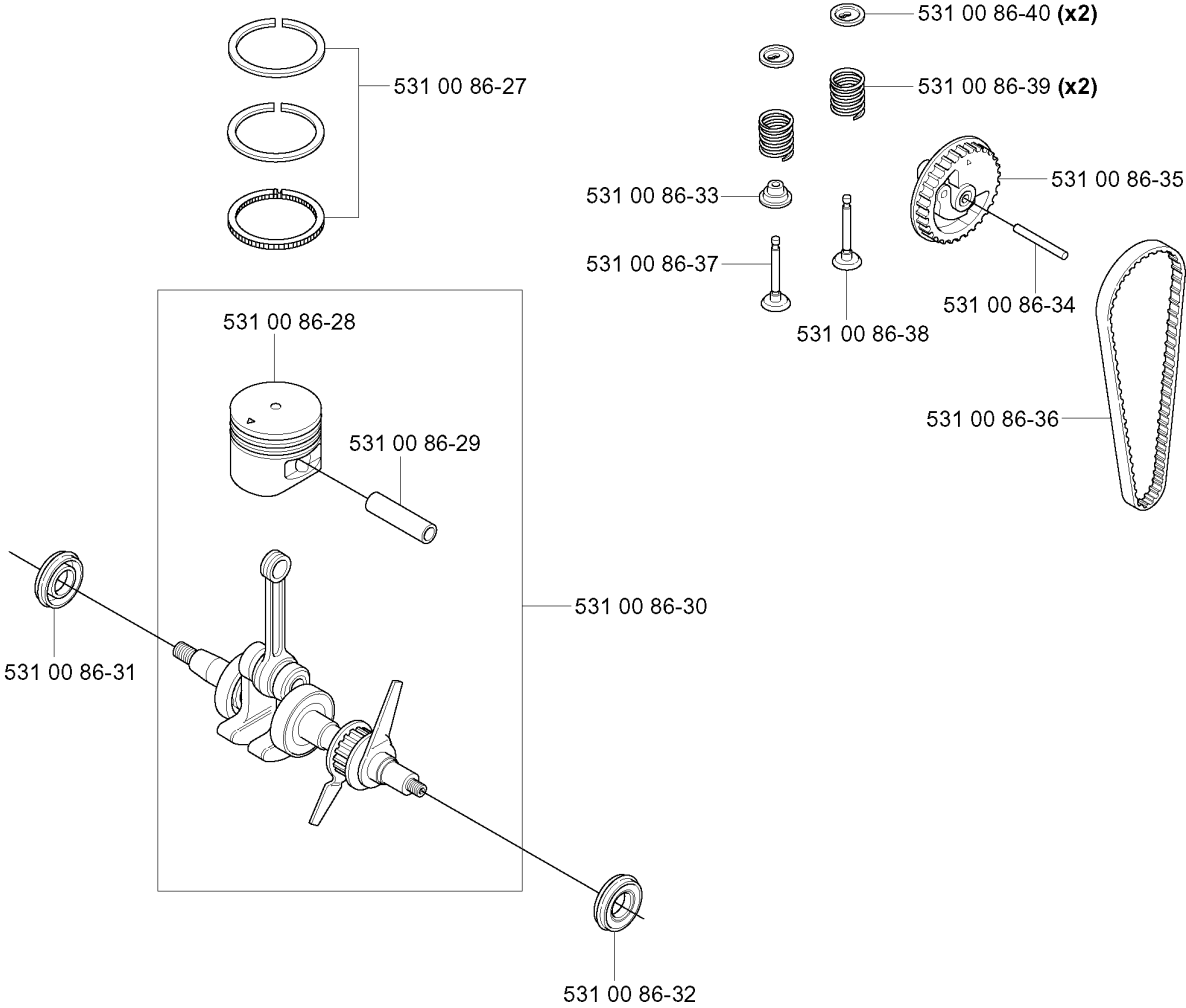


MUFFLER

524 LK

Part No	Description	Remark	QTY KIT
531 00 86-96	MUFFLER ASSY		1
531 00 86-97	SPARK ARRESTER SCREEN		1
531 00 86-98	AIR CONDUCTOR		1
531 00 86-99	SPARE PARTS		2
531 00 87-01	SCREW		1
531 00 87-02	SCREW		2
531 00 87-03	NUT		2

Q

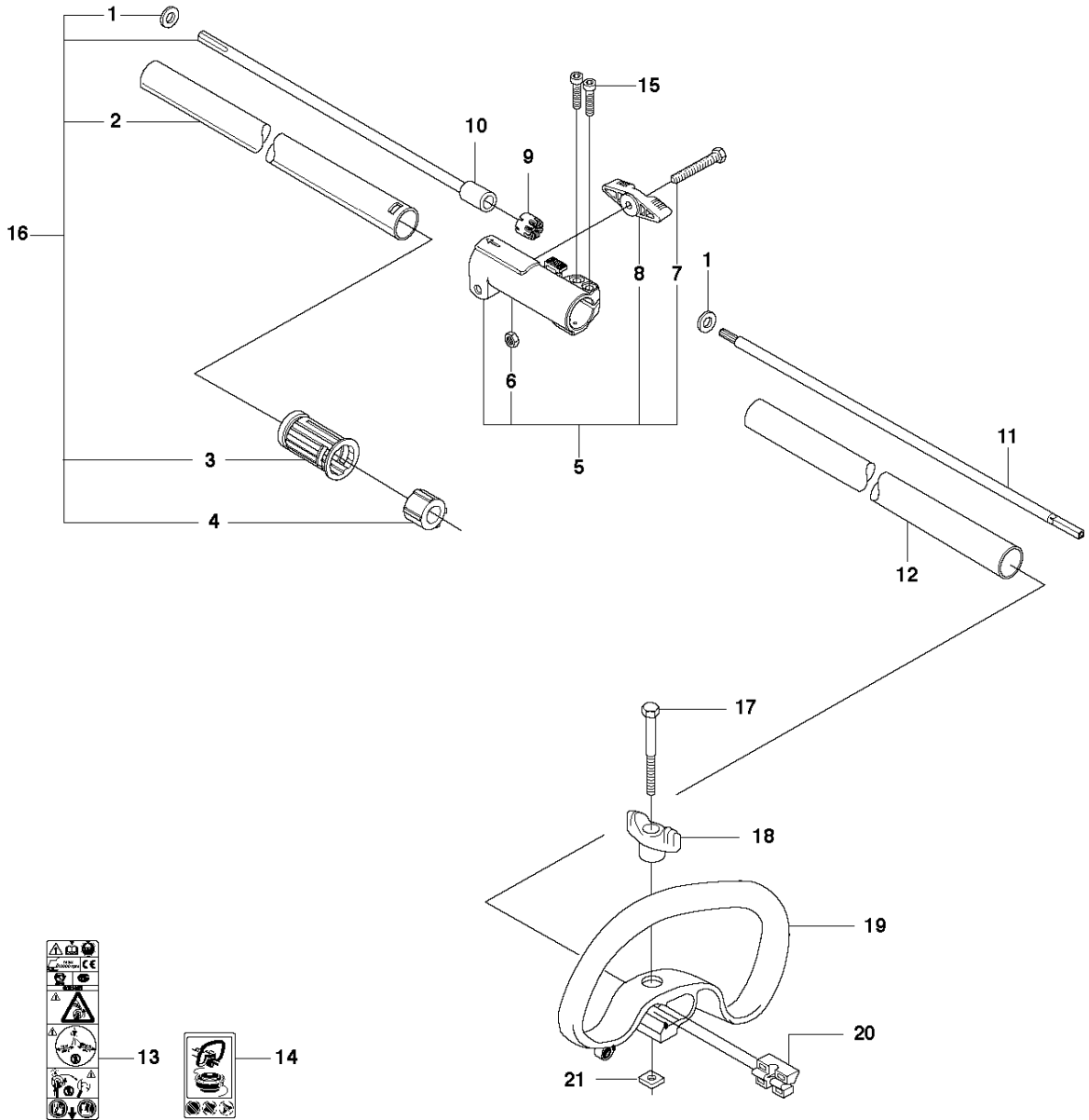


PISTON & CRANKSHAFT

524 LK

Part No	Description	Remark	QTY KIT
531 00 86-27	KIT		1
531 00 86-28	PISTON		1
531 00 86-29	PISTON PIN		1
531 00 86-30	CRANKSHAFT ASSY		1
531 00 86-31	SEALING RING		1
531 00 86-32	SEALING RING		1
531 00 86-33	SEALING		1
531 00 86-34	SHAFT		1
531 00 86-35	SPARE PARTS		1
531 00 86-36	SPARE PARTS		1
531 00 86-37	VALVE		1
531 00 86-38	VALVE		1
531 00 86-39	SPRING		2
531 00 86-40	SPARE PARTS		2

B2 324 LDX, 524 LK
SHAFT



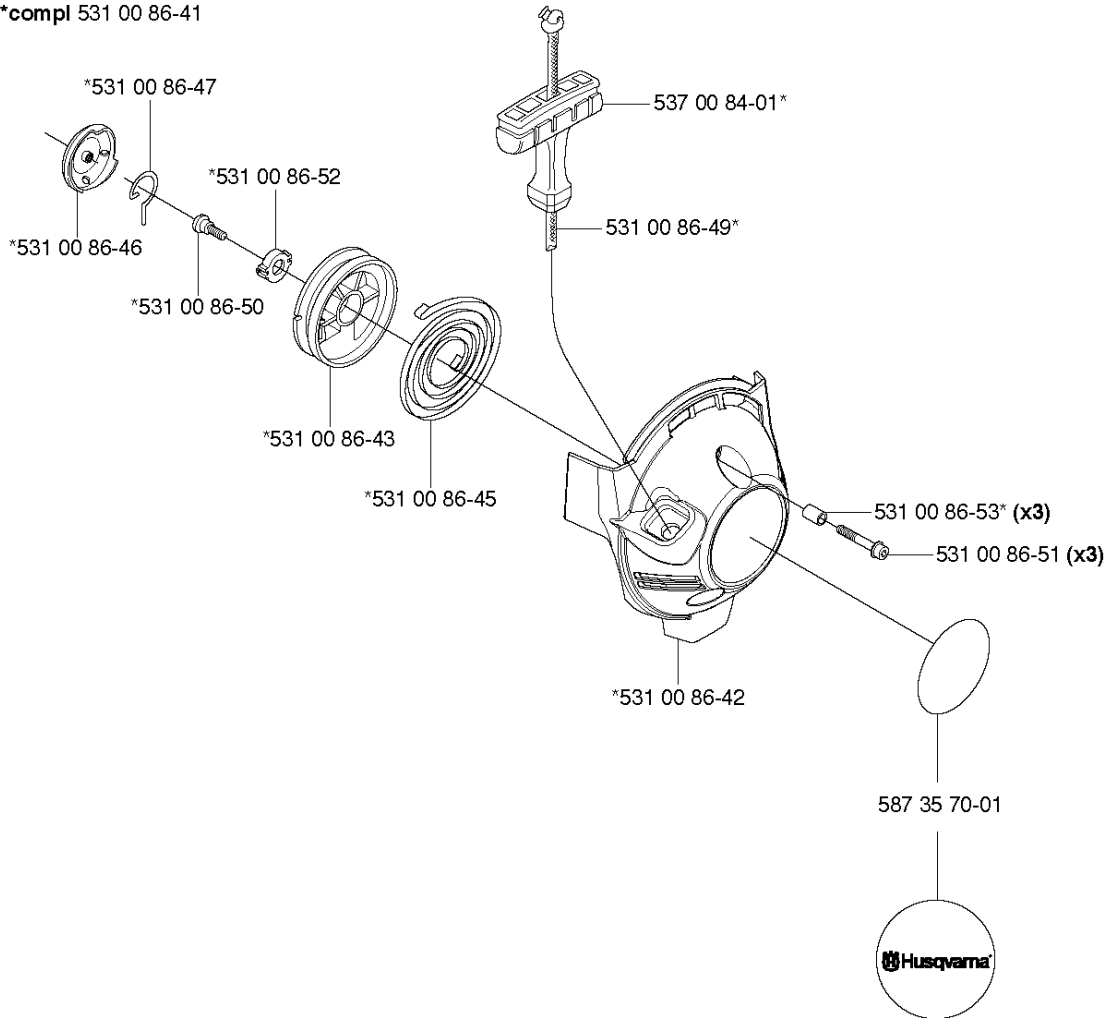
SHAFT & HANDLE

524 LK

Ref	Part No	Description	Remark	QTY	KIT
1	735 58 08-10	LOCKWASHER		2	16
2	537 08 27-01	TUBE	L=850mm Ø=24mm	1	16
3	587 41 46-01	PLUG		1	16
4	503 78 52-02	SUPPORTING BEARING		1	16
5	576 28 26-02	CLAMPING SLEEVE ASSY		1	
6	731 23 16-01	HEXAGON NUT		1	5
7	725 23 76-01	SCREW		1	5
8	576 28 24-01	KNOB		1	5
9	583 93 83-01	CLIP		1	
10	587 41 17-01	DRIVE SHAFT	L=843mm Ø=7mm	1	16
11	537 08 30-01	DRIVE SHAFT	L=699mm Ø=7mm, thread end	1	
11	537 23 48-05	DRIVE SHAFT	L=699mm Ø=7mm, square end	1	
12	537 01 16-01	TUBE	L=650mm Ø=24mm	1	
13	589 29 51-01	LABEL		1	
14	503 79 56-01	LABEL		1	
15	503 20 07-25	SCREW IHSCFM		2	
16	587 98 81-01	TUBE ASSY		1	
17	725 23 80-51	SCREW EHHM		1	
18	503 87 90-01	KNOB		1	
19	503 87 19-03	HANDLE		1	
20	503 94 03-01	DISTANCE		1	
21	502 19 71-01	SQUARE NUT		1	

H 524LK
STARTER

*compl 531 00 86-41



STARTER

524 LK

Part No	Description	Remark	QTY KIT
531 00 86-41	STARTER ASSY		1
531 00 86-42	STARTER HOUSING		1
531 00 86-43	STARTER PULLEY		1
531 00 86-45	RECOIL SPRING		1
531 00 86-46	DRIVER		1
531 00 86-47	STARTER PAWL		1
531 00 86-49	STARTER CORD		1
531 00 86-50	SCREW		1
531 00 86-51	SCREW		3
531 00 86-52	RETAINER		1
531 00 86-53	SLEEVE		3
537 00 84-01	STARTER HANDLE		1
587 35 70-01	DECAL		1

Illustrated Parts List - IPL Update



Product Name(s)

524LK

Description of change

New tube assy, with updated plug, drive shaft and a clip, for an easier assembly (Click-on function)

Comments

Drive shaft 587 41 17-01 and plug 587 41 46-01 are backward compatible.
NOTE: Clip 583 93 83-01 does not fit with plug 544 37 87-01 and drive shaft 537 01 19-01.

Introduced from

Serial number / Date	Remark
2016-02	

IPL updates

Page title	Ref. no	New part no	Name	Excl. part no.	Remark
Shaft & handle	16	587 98 81-01	Tube assy	537 07 99-02	
Shaft & handle	3	587 41 46-01	Plug	544 37 87-01	
Shaft & handle	10	587 41 17-01	Drive shaft	537 01 19-01	
Shaft & handle	9	583 93 83-01	Clip		New part