

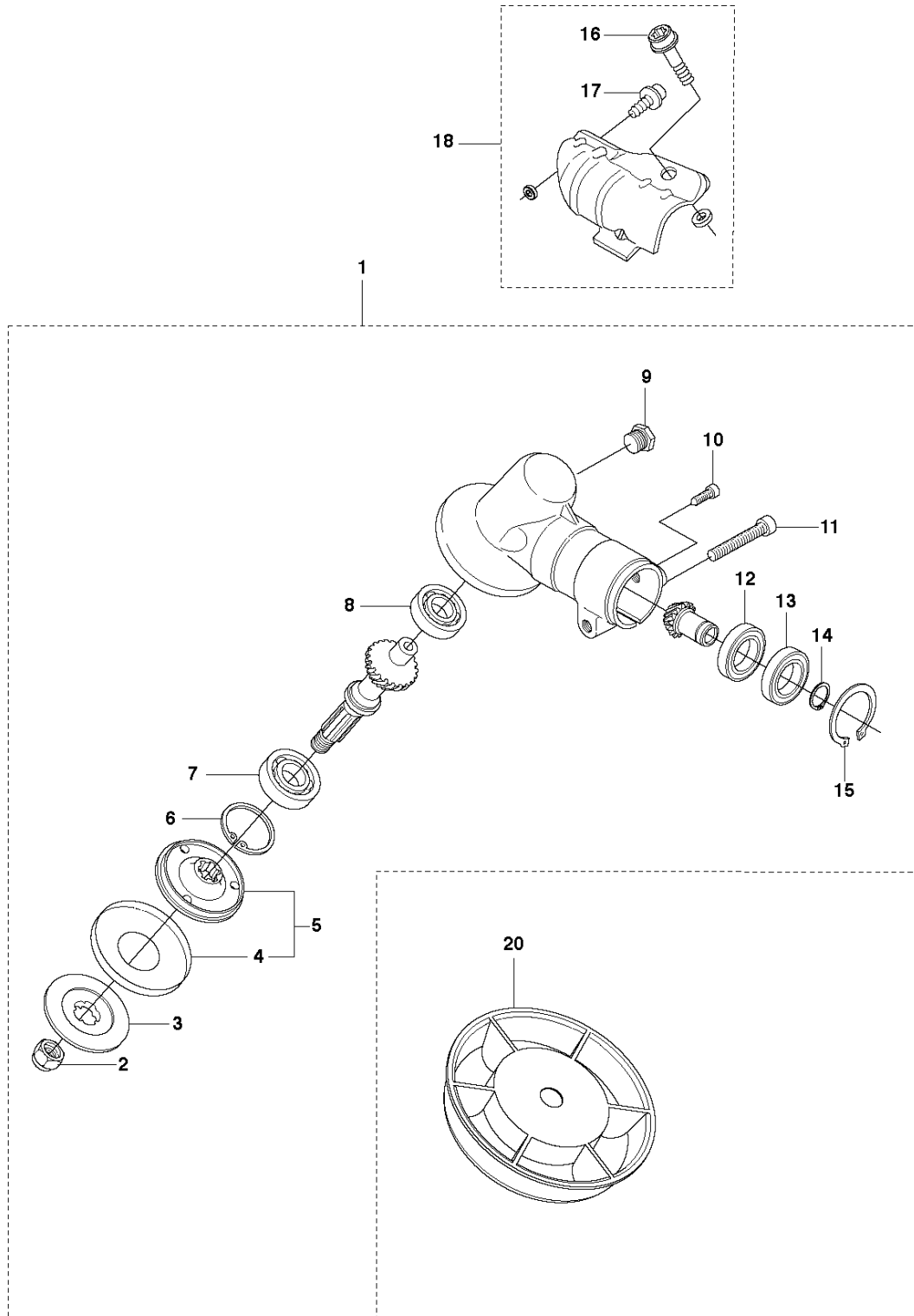


# SPARE PARTS LIST

BRUSHCUTTERS/CLEARING SAWS

525 RJD

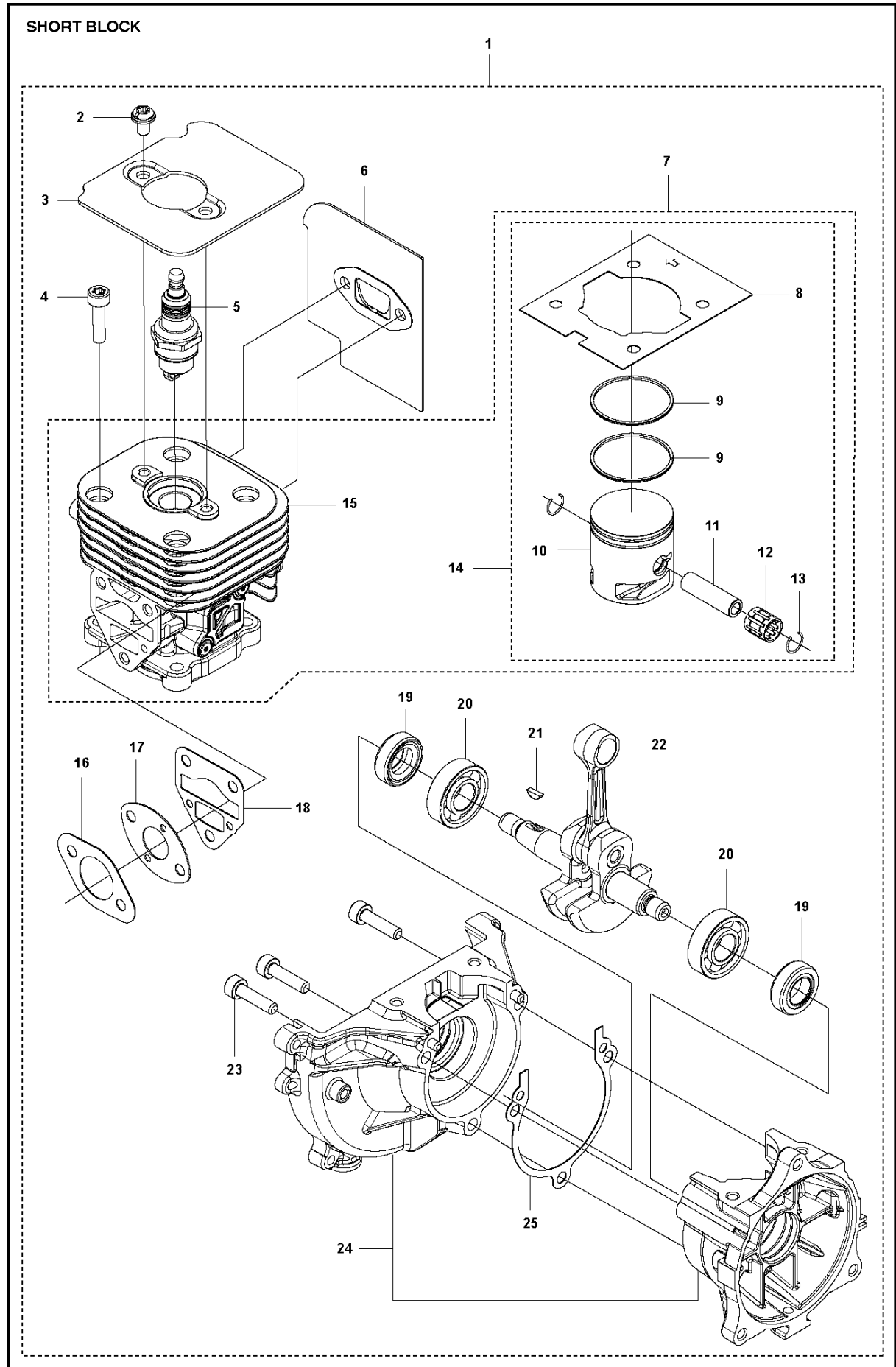
**A1** 524L, 525L, LS, LK, RJX, RJD, RS, RX, RXT, RK  
BEVEL GEAR



## BEVEL GEAR

525 RJD

Ref	Part No	Description	Remark	QTY	KIT
1	537 19 92-02	BEVEL GEAR ASSY		1	
2	503 85 63-01	NUT		1	1
3	537 28 56-01	SUPPORT FLANGE		1	1
4	537 29 26-01	CUP		1	1
5	537 23 49-01	DRIVER ASSY		1	1
6	735 31 28-10	CIRCLIP		1	1
7	503 25 24-01	BALL BEARING		1	1
8	738 21 98-00	BALL BEARING		1	1
9	503 20 15-01	SCREW IHHM		1	1
10	503 20 14-12	SCREW IHSCFMO		1	1
11	503 20 07-25	SCREW IHSCFM		1	1
12	738 21 99-00	BALL BEARING		1	1
13	738 21 99-02	BALL BEARING		1	1
14	735 31 11-00	CIRCLIP		1	1
15	735 31 25-10	CIRCLIP		1	1
16	544 21 84-20	SCREW ITXSCM		1	18
17	501 98 10-01	SCREW ITXSCM		1	18
18	574 30 69-03	CLAMP		1	
20	503 89 01-01	SUPPORT CUP		1	

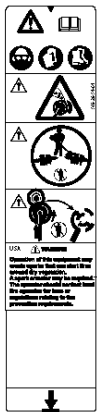
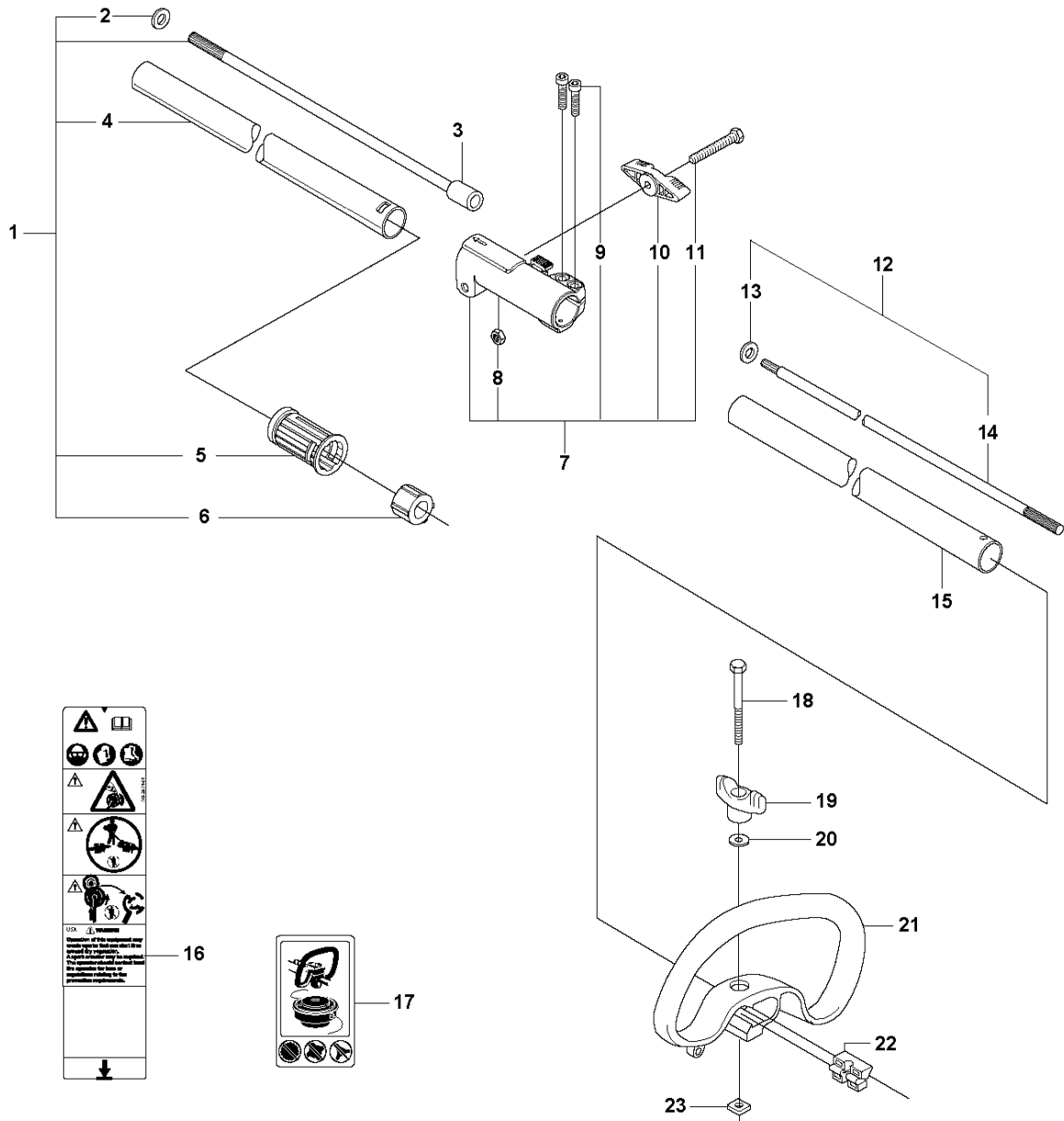


## SHORT BLOCK

525 RJD

Ref	Part No	Description	Remark	QTY	KIT
1	592 77 64-01	SHORT BLOCK		1	
2	544 25 68-01	SCREW		2	
3	578 78 53-01	PLATE		1	
4	504 11 43-01	SCREW		4	
5	576 59 81-01	SPARK PLUG		1	
6	578 40 81-01	GASKET		1	
7	588 09 82-02	SERVICE KIT		1	
8	576 39 87-02	GASKET		1	7,14
9	506 61 81-01	RING		2	7,14
10	577 91 74-01	PISTON		1	7,14
11	505 04 07-01	PIN		1	7,14
12	576 40 27-01	BEARING		1	7,14
13	505 04 52-01	RING		2	7,14
14	588 09 81-02	SERVICE KIT		1	7
15	577 97 90-01	CYLINDER		1	7
16	577 88 24-02	GASKET		1	
17	576 39 91-02	GASKET		1	
18	576 39 89-01	GASKET		1	
19	504 12 15-01	SEALING		2	
20	506 61 03-01	BEARING		2	
21	506 68 94-01	KEY		1	
22	586 65 66-01	CRANKSHAFT		1	
23	504 11 43-01	SCREW		3	
24	581 30 86-02	CRANKCASE		1	
25	576 39 95-02	GASKET		1	

# C4 525RJD SHAFT



**WARNING!**  
Operation of this equipment may create sparks that can start fires around dry vegetation. A spark arrestor may be required. The operator should contact local fire agencies for laws or regulations relating to fire prevention requirements.

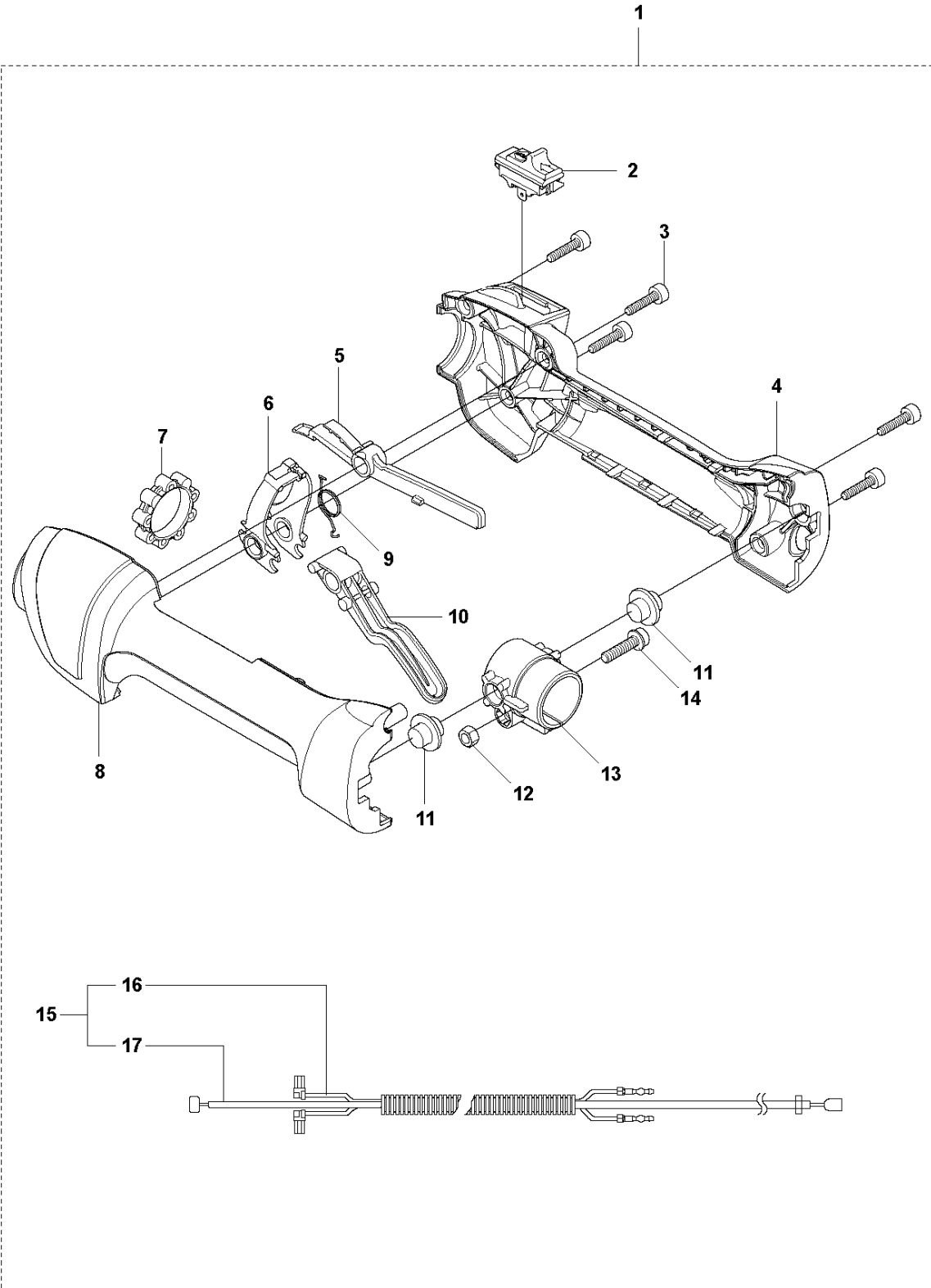
24

## SHAFT

525 RJD

Ref	Part No	Description	Remark	QTY KIT	
1	584 24 93-01	TUBE		1	
2	735 58 08-10	LOCKWASHER		1	1
3	537 01 19-01	DRIVE SHAFT	L=843 Ø7mm	1	1
4	584 24 94-01	TUBE	L=829 Ø24mm	1	1
5	544 37 87-01	PLUG		1	1
6	503 78 52-02	SUPPORTING BEARING		1	1
7	576 28 26-01	CLAMPING SLEEVE ASSY		1	
8	731 23 16-01	HEXAGON NUT		1	7
9	525 75 51-04	SCREW ITXSCFM		2	7
10	576 28 24-01	KNOB		1	7
11	725 23 76-01	SCREW		1	7
12	581 50 04-01	DRIVE SHAFT		1	
13	735 58 08-10	LOCKWASHER		1	12
14	581 81 51-02	DRIVE SHAFT	L=696 Ø7mm	1	12
15	584 24 90-01	TUBE	L=650 Ø24mm	1	
16	589 29 51-01	LABEL		1	
17	503 79 56-01	LABEL		1	
18	510 90 61-01	BOLT	RJD, (LK USA) M6x35	1	
18	725 23 80-51	SCREW EHHM	LK M6x50	1	
19	503 87 90-01	KNOB	LK	1	
20	503 23 00-61	WASHER	LK	1	
21	503 87 19-08	HANDLE		1	
22	503 94 03-01	DISTANCE		1	
23	502 19 71-01	SQUARE NUT		1	
24	522 92 86-02	LABEL		1	

**F** 524L, 525L, LS, LST, LK, RJX, RJD  
THROTTLE CONTROLS



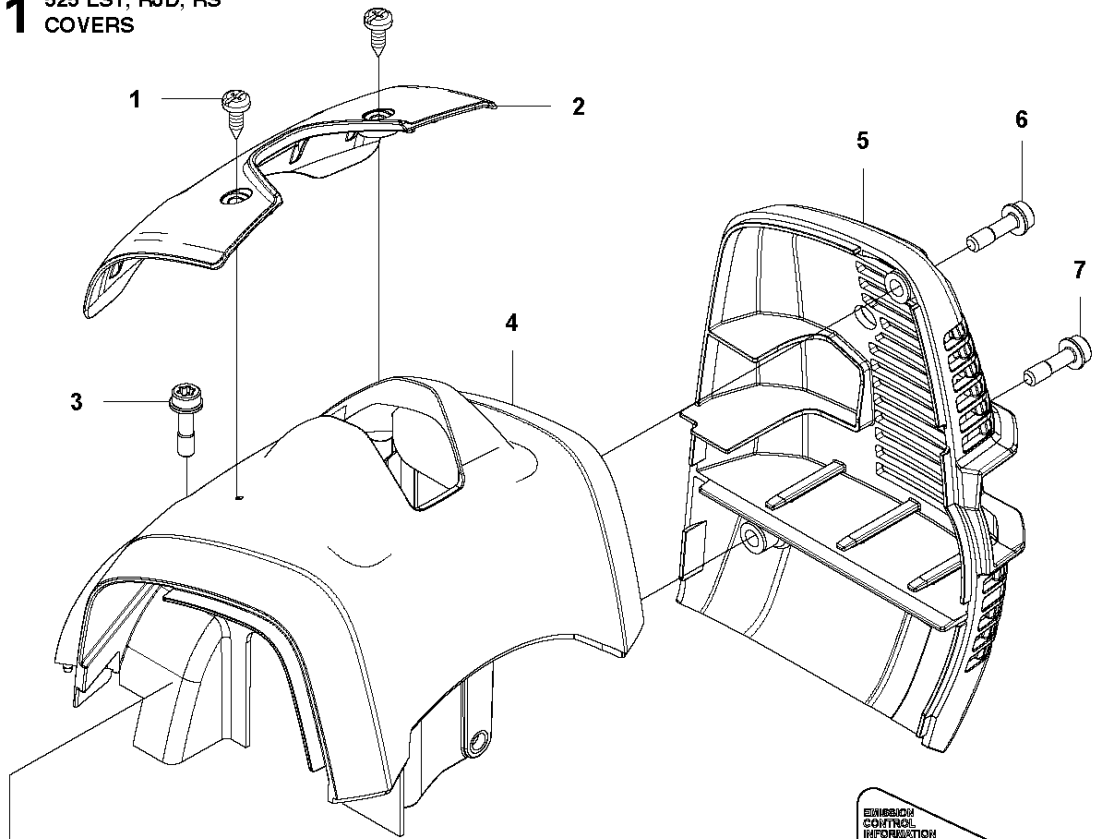


## THROTTLE CONTROLS

525 RJD

Ref	Part No	Description	Remark	QTY	KIT
1	578 27 95-02	THROTTLE CONTROL	LK, RJD, (LST Australia)	1	
2	537 41 90-01	SWITCH		1	1
3	575 96 05-01	SCREW IHSCT		5	1
4	544 10 02-02	HANDLE HALF	LK, RJD, (LST Australia)	1	1
5	503 87 80-01	THROTTLE LOCKOUT		1	1
6	503 91 81-01	THROTTLE LEVER		1	1
7	503 96 14-01	ABSORBER		1	1
8	544 10 03-02	HANDLE HALF	LK, RJD, (LST Australia)	1	1
9	544 10 08-01	RECOIL SPRING		1	1
10	503 87 79-03	THROTTLE TRIGGER		1	1
11	544 10 17-02	DAMPER	LK, RJD, (LST Australia)	2	1
12	731 23 14-01	HEXAGON NUT		1	1
13	544 11 21-01	RETAINER		1	1
14	506 68 90-01	BOLT		1	1
15	578 27 96-01	WIRING		1	1
16	502 53 16-01	SHORT CIRCUIT CABLE		1	1, 15
17	578 86 78-01	THROTTLE CABLE		1	1, 15

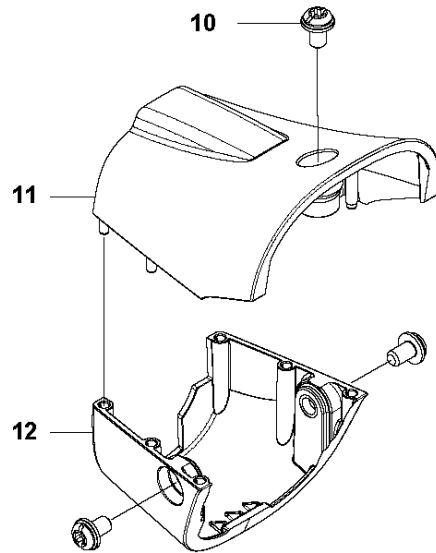
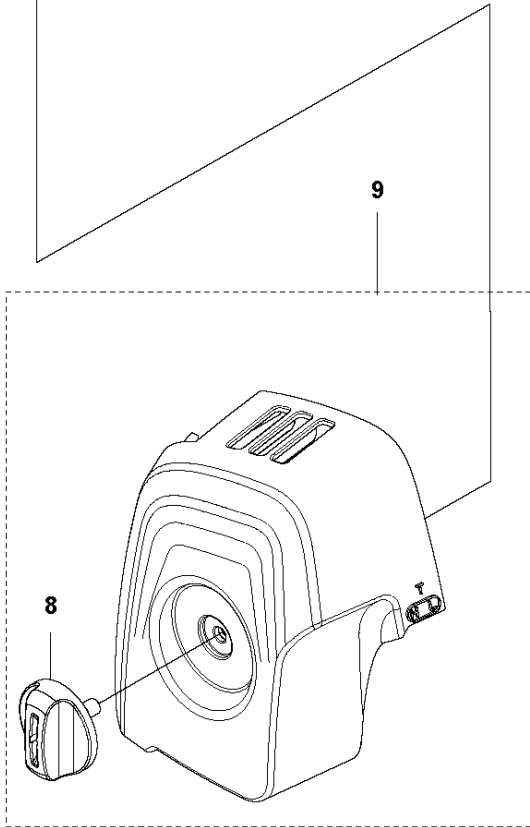
**G1** 525 LST, RJD, RS  
COVERS



EMMISSIONS CONTROL INFORMATION  
This engine meets  
U.S. EPA and California  
EXH-EVAP regs for  SORE. Refer  
to operator's manual for maintenance  
specifications and adjustments.  
Emissions compliance  
Period:  hrs. 044221101

HUSQVARNA 525 525 525 525 525  
HUSQVARNA 525 525 525 525 525  
HUSQVARNA 525 525 525 525 525  
HUSQVARNA 525 525 525 525 525

14



**525 xx**

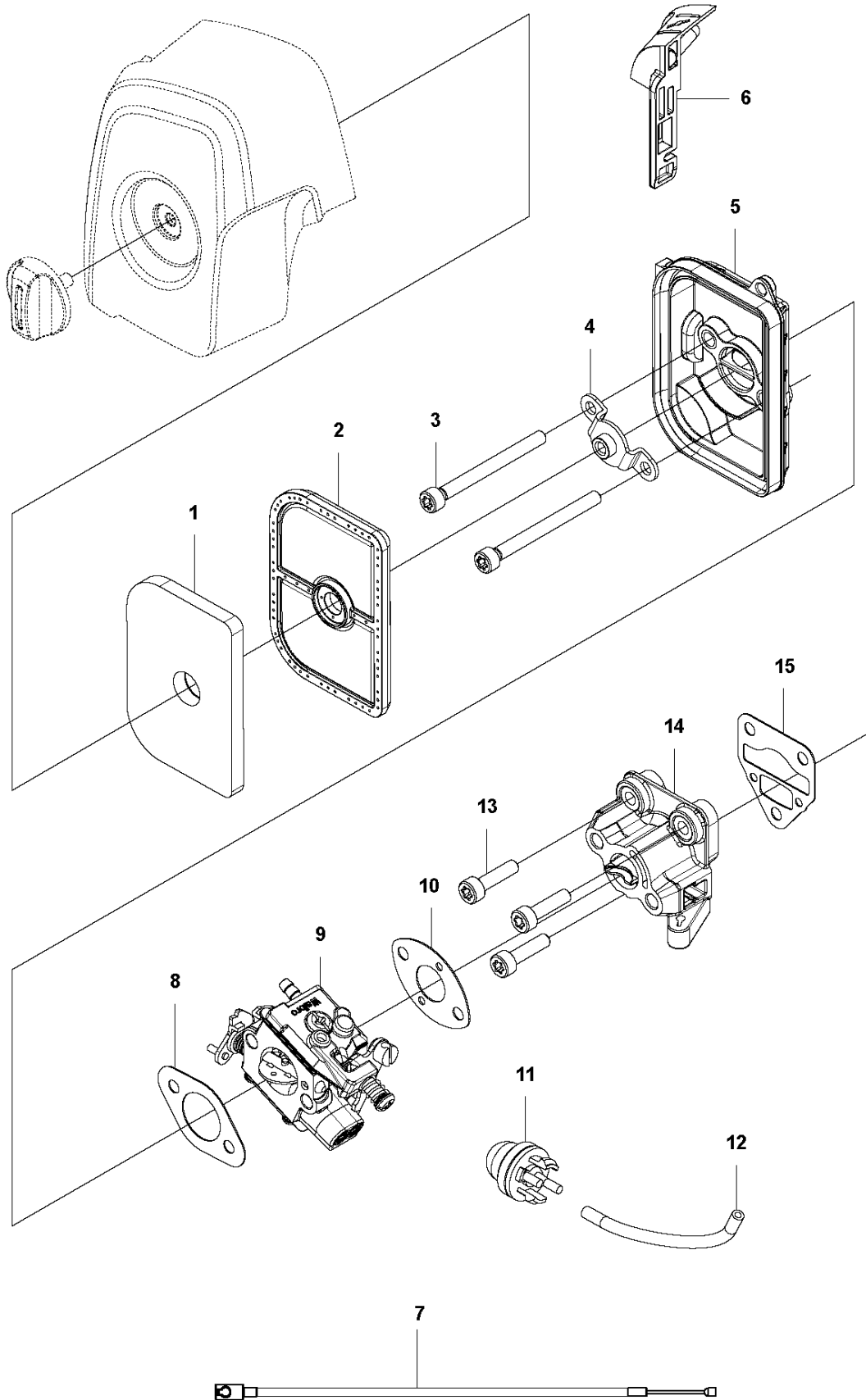
13

## COVER

525 RJD

Ref	Part No	Description	Remark	QTY	KIT
1	503 21 35-12	SCREW CCRPANT		2	
2	576 40 45-01	ARM PROTECTION		1	
3	577 81 54-01	BOLT		1	
4	592 62 13-01	CYLINDER COVER	To be used with 576404101 Housing clutch	1	
4	592 62 13-02	CYLINDER COVER	To be used with 588567701 Housing clutch	1	
5	576 40 47-01	MUFFLER GUARD		1	
6	577 81 54-01	BOLT		1	
7	577 81 54-01	BOLT		1	
8	576 99 24-02	KNOB		1	9
9	578 40 88-01	FILTER COVER		1	
10	544 25 68-01	SCREW		3	
11	577 84 82-01	COVER		1	
12	577 84 81-01	COVER		1	
13	579 44 58-16	DECAL	525RJD	1	
14	584 29 11-09	DECAL		1	

**H1** 524L, 525L, LS, LST, RJD, RS  
CARBURETOR & AIRFILTER

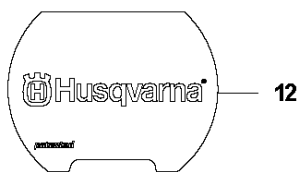
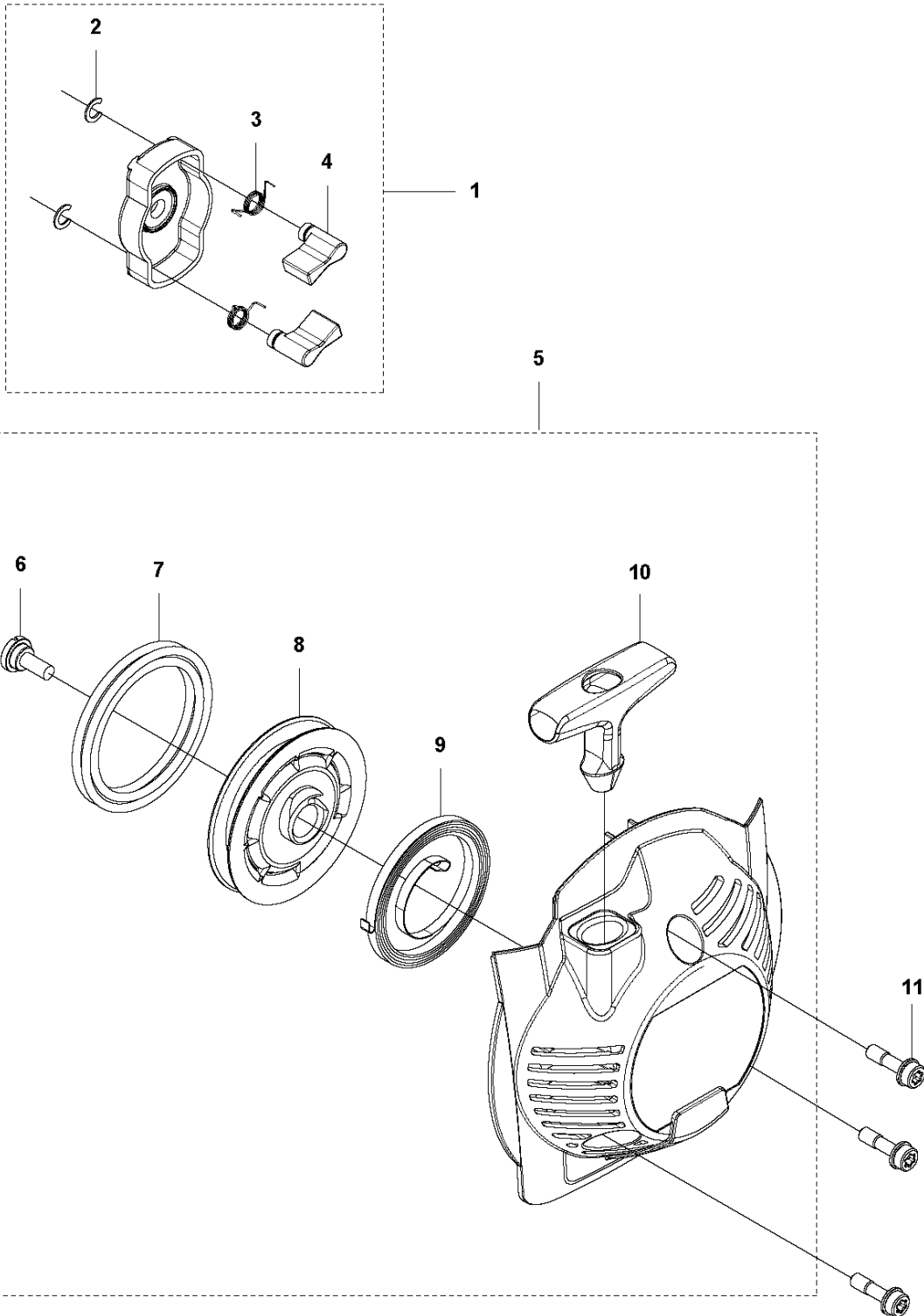


## CARBURETOR &amp; AIR FILTER

525 RJD

Ref	Part No	Description	Remark	QTY KIT
1	577 85 15-01	AIR FILTER		1
2	576 40 16-01	AIR FILTER		1
3	580 46 72-01	BOLT		2
4	580 43 79-01	PLATE		1
5	577 85 13-01	FILTER HOUSING		1
6	577 84 83-01	CHOKE CONTROL		1
7	590 90 00-01	THROTTLE CABLE		1
8	577 88 24-02	GASKET		1
9	584 90 14-01	CARBURETTOR		1
10	576 39 91-02	GASKET		1
11	503 93 66-01	PURGE		1
12	577 05 05-01	PIPE		1
13	504 11 43-01	SCREW		3
14	578 90 83-01	INSULATOR		1
15	576 39 89-01	GASKET		1

**J1** 524L, 525L, 525LS, LST, RJD, RS  
STARTER

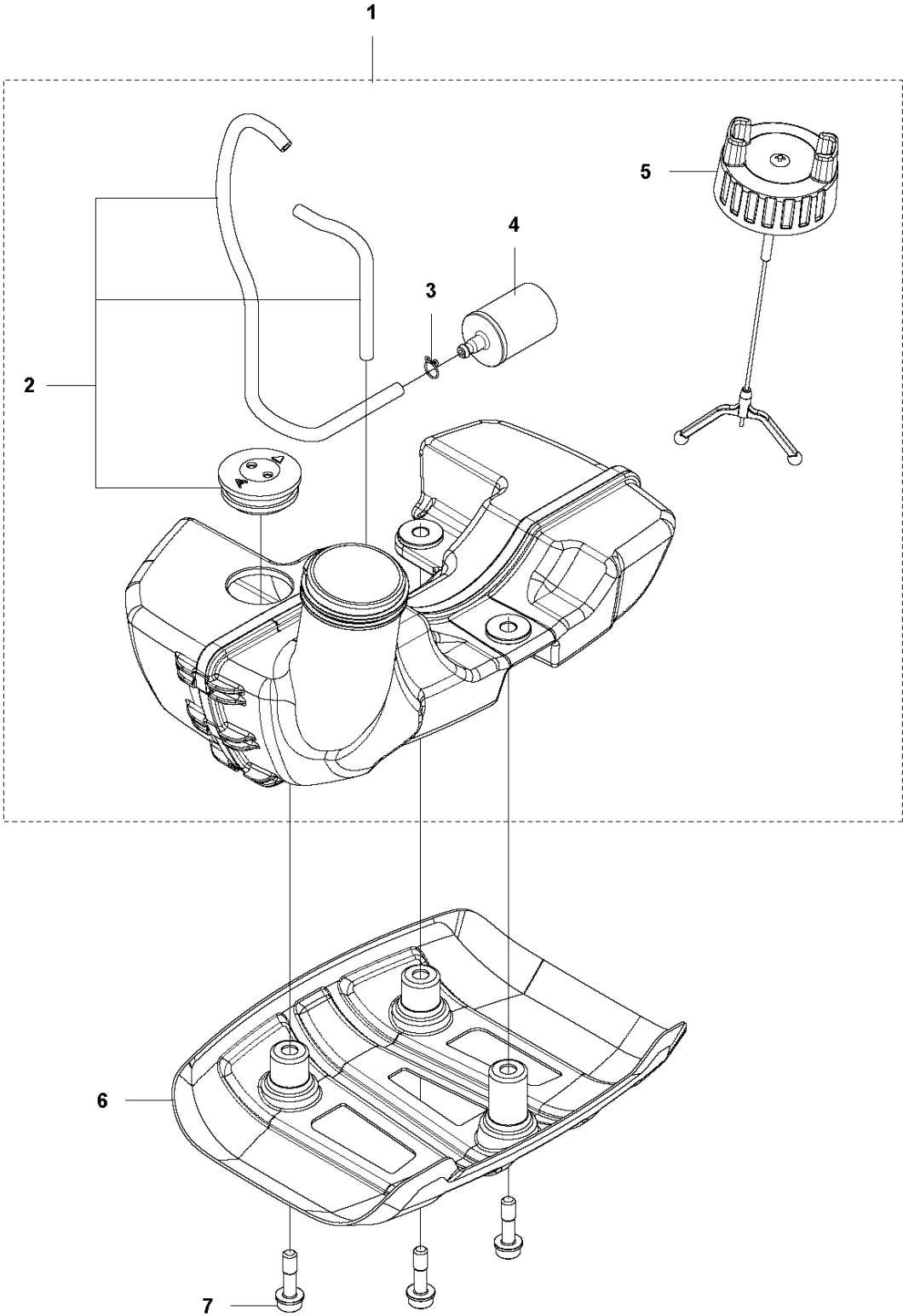


## STARTER

525 RJD

Ref	Part No	Description	Remark	QTY	KIT
1	581 14 65-01	STARTER PULLEY		1	
2	521 60 04-01	E-RING		2	1
3	521 60 03-01	SPRING		2	1
4	521 60 02-01	RATCHET		2	1
5	578 99 25-01	STARTER		1	
6	506 61 30-01	SCREW		1	5
7	579 06 46-01	ROPE		1	5
8	579 06 48-01	STARTER PULLEY		1	5
9	504 11 50-01	SPRING.SPIRAL		1	5
10	575 48 95-01	STARTER HANDLE		1	5
11	577 81 54-01	BOLT		3	
12	579 36 96-01	DECAL		1	

**K1** 525L, LS, LST, RJD, RS  
FUEL TANK





## FUEL TANK

525 RJD

Ref	Part No	Description	Remark	QTY KIT	
1	576 40 51-01	FUEL TANK	USA, Australia/New Zealand	1	
2	586 35 96-05	HOSE ASSY		1	1
3	506 70 70-01	CLIP		1	1
4	503 44 32-01	FUEL FILTER		1	1
5	579 64 57-03	TANK CAP		1	1
6	576 40 55-01	SKID PLATE		1	
7	577 81 54-01	BOLT		3	

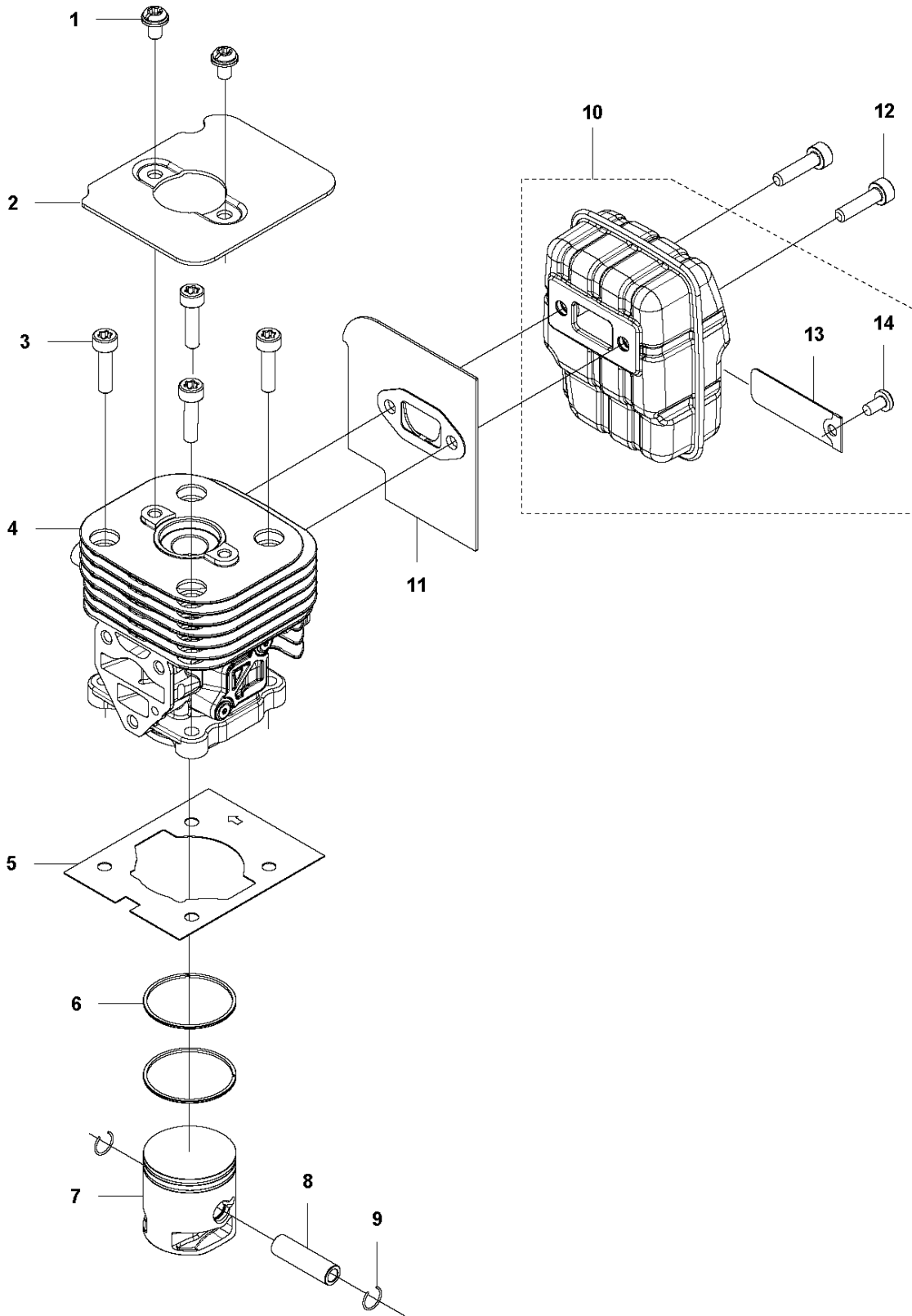


## IGNITION SYSTEM &amp; CLUTCH

525 RJD

Ref	Part No	Description	Remark	QTY	KIT
1	588 14 15-01	IGNITION COIL		1	
2	584 82 66-01	IGNITION CABLE		1	1
3	579 59 07-01	TUBE		1	1
4	586 10 72-01	SPARK PLUG CAP		1	1
5	580 63 48-01	SPRING		1	1
6	584 96 81-01	SPARK PLUG	BPMR-8Y : NGK	1	
7	521 51 58-01	BOLT		2	
8	521 76 97-01	SPACER		2	
9	577 85 17-01	SHORT CIRCUIT CABLE		1	
10	516 12 41-01	RING		1	
11	581 14 20-01	CLUTCH DRUM		1	
12	513 18 96-01	SCREW		2	
13	521 75 82-01	WASHER		2	
14	577 05 28-01	CLUTCH ASSY		1	
15	576 40 07-01	CLUTCH SPRING		1	14
16	504 11 80-01	NUT		1	
17	578 96 78-01	FLYWHEEL		1	
18	505 05 44-01	WASHER		2	

**M** 524, 525  
CYLINDER PISTON & MUFFLER

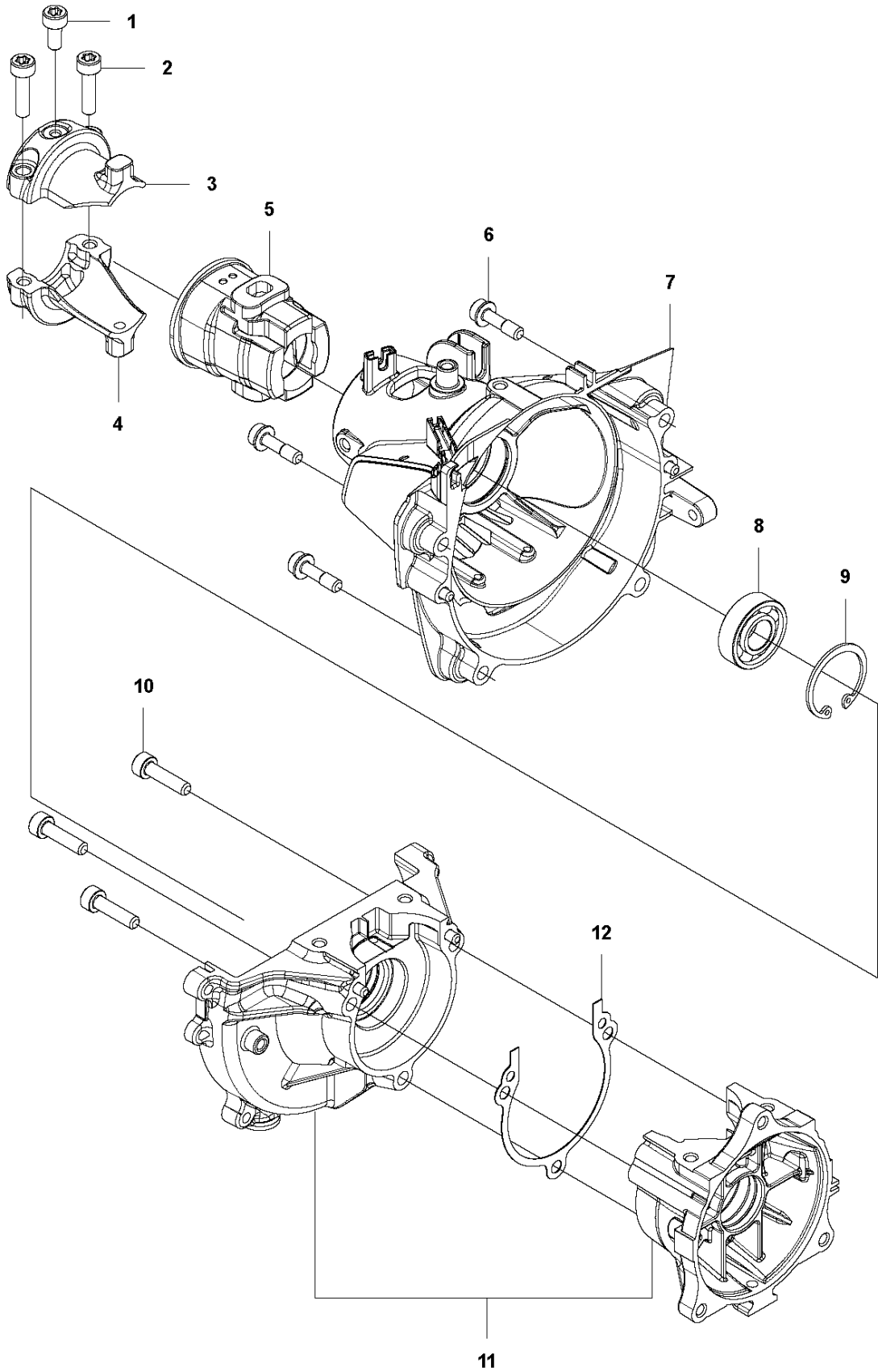


## CYLINDER, PISTON &amp; MUFFLER

525 RJD

Ref	Part No	Description	Remark	QTY KIT	
1	544 25 68-01	SCREW		2	
2	578 78 53-01	PLATE		1	
3	504 11 43-01	SCREW		4	
4	577 97 90-01	CYLINDER		1	
5	576 39 87-02	GASKET		1	
6	506 61 81-01	RING		2	
7	577 91 74-01	PISTON		1	
8	505 04 07-01	PIN		1	
9	505 04 52-01	RING		2	
10	585 24 86-01	MUFFLER		1	
10	585 03 29-01	MUFFLER ASSY	USA, Australia/New Zealand	1	
11	578 40 81-01	GASKET		1	
12	504 11 43-01	SCREW		2	
13	580 51 44-01	SPARK ARRESTER		1	10
14	729 57 74-05	SCREW CRPANT		1	10

**N** 524, 525  
CRANK CASE

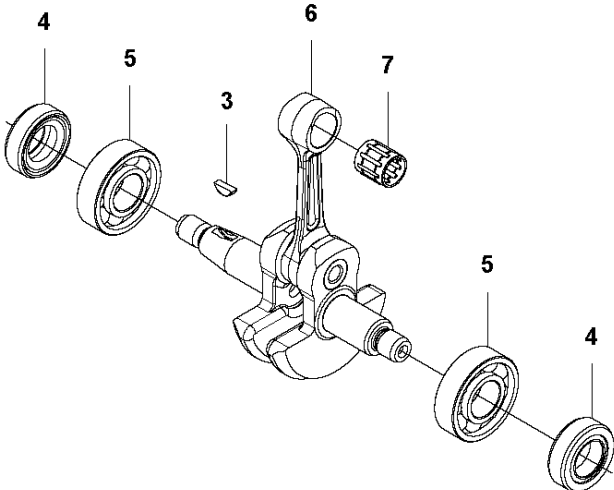
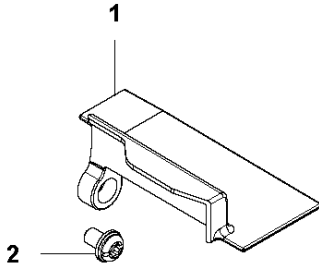


## CRANKCASE

525 RJD

Ref	Part No	Description	Remark	QTY KIT
1	529 26 81-01	BOLT		1
2	577 94 20-01	BOLT		2
3	576 42 07-02	BRACKET		1
4	576 42 08-02	BRACKET		1
5	576 42 05-01	CUSHION		1
6	577 81 54-01	BOLT		4
7	588 56 77-01	HOUSING		1
8	525 95 32-01	BEARING		1
9	506 60 99-01	RING		1
10	504 11 43-01	SCREW		3
11	581 30 86-01	CRANKCASE		1
12	576 39 95-02	GASKET		1

**P** 524, 525  
CRANK SHAFT



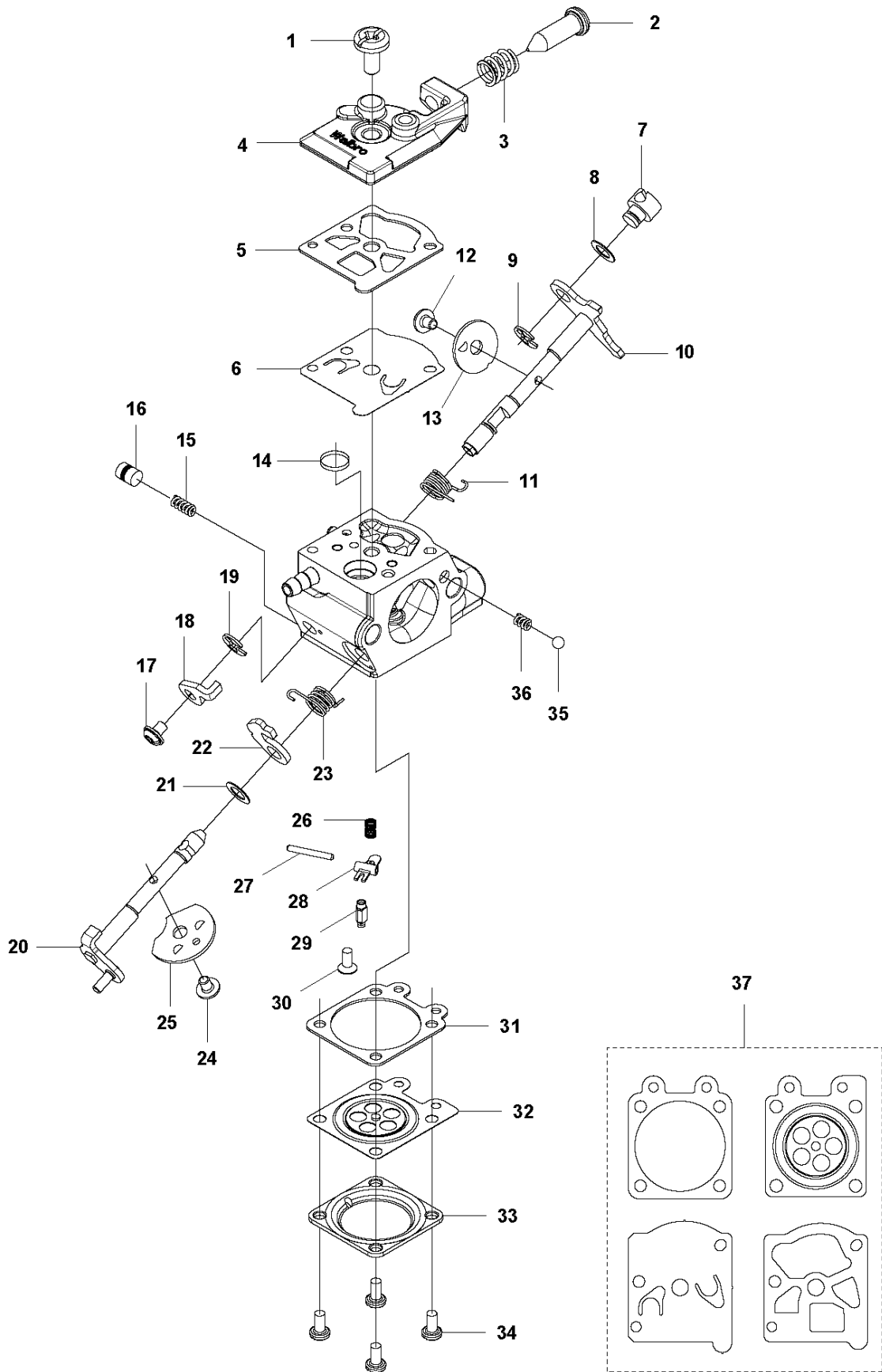


CRANKSHAFT

525 RJD

Ref	Part No	Description	Remark	QTY KIT
1	576 40 46-01	MUFFLER		1
2	544 25 68-01	SCREW		1
3	506 68 94-01	KEY		1
4	504 12 15-01	SEALING		2
5	506 61 03-01	BEARING		2
6	579 22 32-01	CRANKSHAFT		1
7	576 40 27-01	BEARING		1

**Q** 524, 525  
CARBURETOR

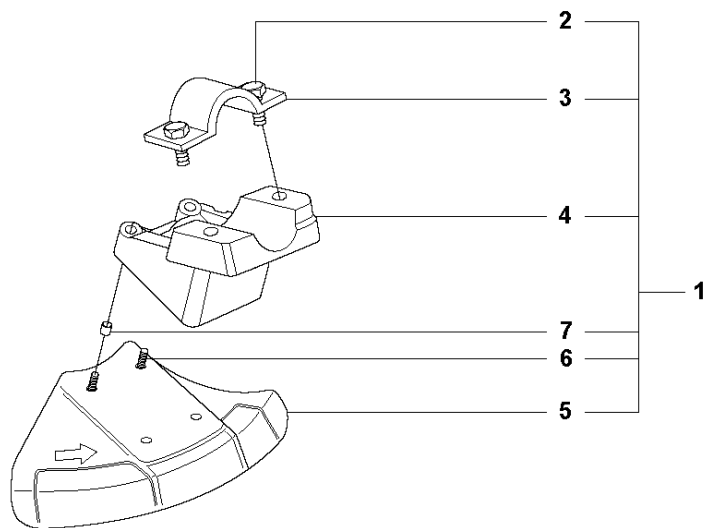


## CARBURETOR

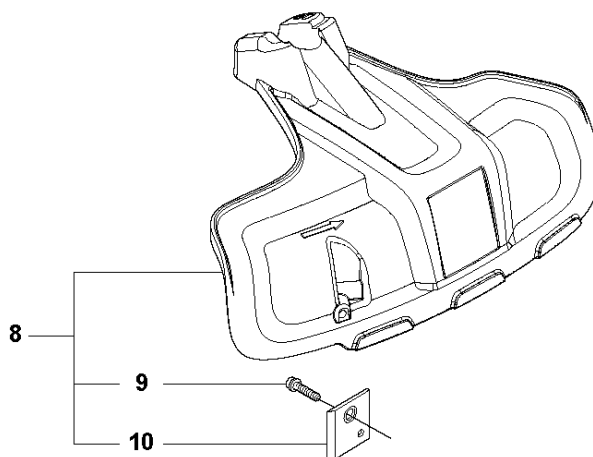
525 RJD

Ref	Part No	Description	Remark	QTY KIT
1	520 97 63-01	SCREW		1
2	577 81 57-01	SCREW		1
3	513 59 32-01	SPRING		1
4	579 19 06-01	COVER		1
5	520 95 48-01	GASKET		1
6	502 21 36-01	DIAPHRAGM PUMP		1
7	513 40 08-01	SWIVEL		1
8	516 52 42-01	WASHER		1
9	506 73 86-01	RING		1
10	579 19 07-01	SHAFT		1
11	577 81 55-01	SPRING		1
12	520 75 98-01	SCREW		1
13	520 97 86-01	VALVE		1
14	520 95 70-01	SCREEN		1
15	505 05 79-01	SPRING		1
16	584 90 12-01	PISTON ASSY		1
17	520 75 98-01	SCREW		1
18	579 19 08-01	LEVER		1
19	505 05 65-01	RING		1
20	579 19 10-01	SHAFT		1
21	516 52 42-01	WASHER		1
22	584 90 13-01	LEVER		1
23	579 19 11-01	SPRING		1
24	520 75 98-01	SCREW		1
25	581 15 49-01	VALVE		1
26	578 89 54-01	SPRING		1
27	520 97 74-01	PIN		1
28	577 80 72-01	LEVER		1
29	521 08 54-01	VALVE.INLET		1
30	577 80 71-01	SCREW		1
31	516 97 21-01	GASKET		1
32	577 80 70-01	DIAPHRAGM		1
33	514 18 92-01	COVER		1
34	520 97 88-01	SCREW ASSY		4
35	514 24 26-01	BALL		1
36	514 24 33-01	SPRING.CHOKE		1
37	580 68 48-01	GASKET KIT	Coomopes by item 5, 6, 31 and 32	1

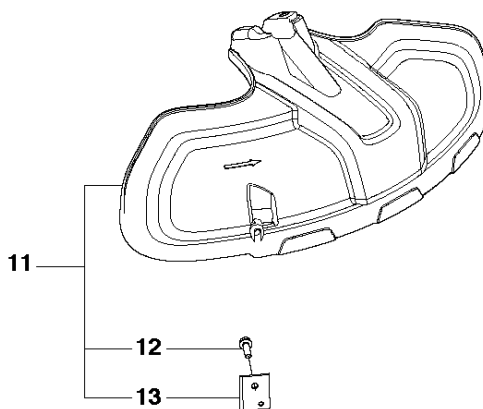
**R1** 525 RX, RXT, RK  
ACCESSORIES



524L, 525L, LS, LST, LK, RJX, RJD, RS, RX, RXT, RK



524L, 525L, LS, LST, LK, RJX, RJD, RS, RX, RXT, RK

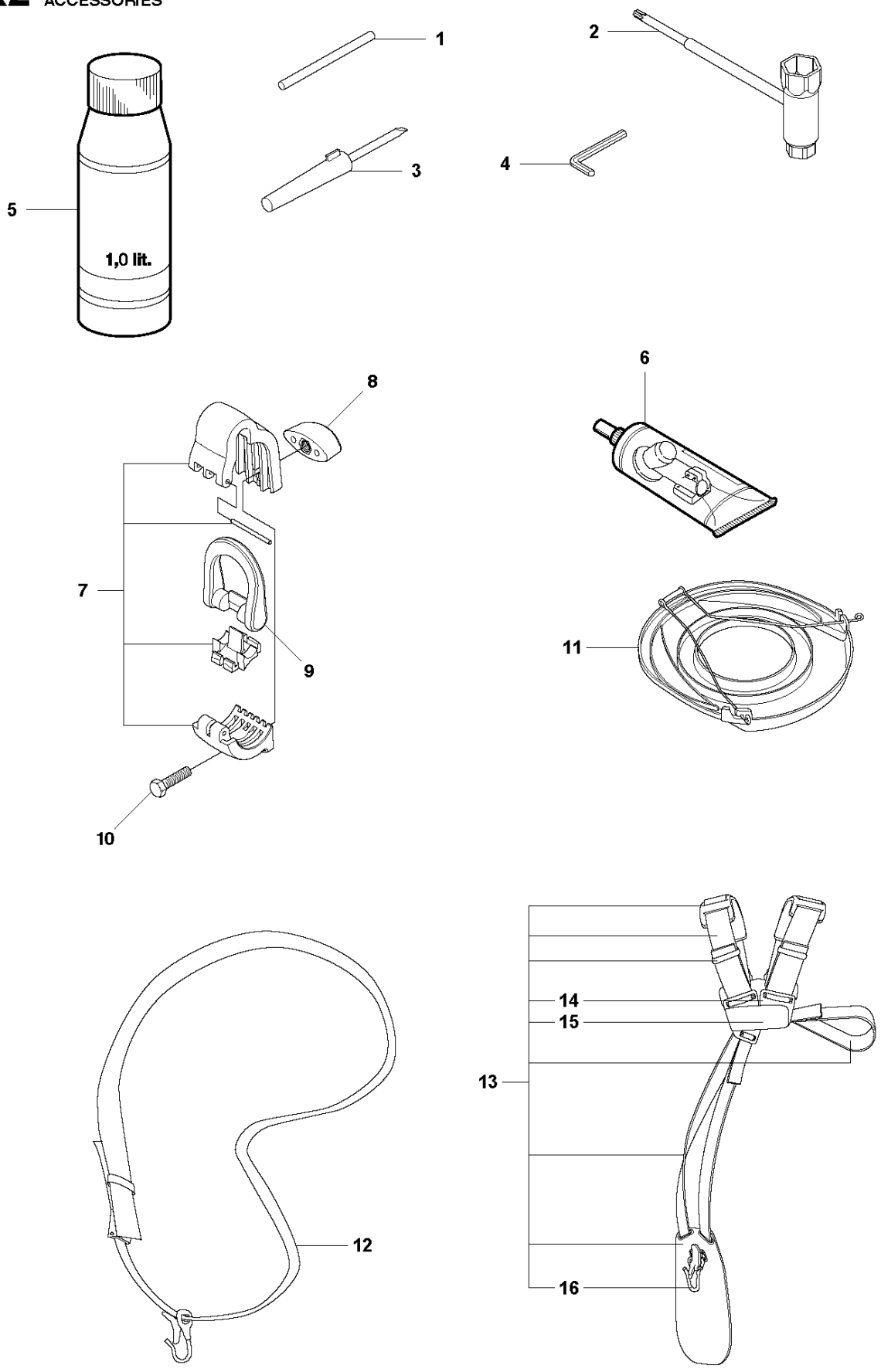


## ACCESSORIES

525 RJD

Ref	Part No	Description	Remark	QTY	KIT
1	537 29 95-01	SAW BLADE GUARD	RX, RXT, RK	1	
2	573 99 43-04	SCREW IHSCFMO		2	1
3	537 04 75-01	CLAMP		1	1
4	537 29 34-01	ADAPTER		1	1
5	537 21 71-01	SAW BLADE GUARD		1	1
6	503 20 03-16	SCREW IHSCFM		4	1
7	574 03 95-01	LOCKING NUT		4	1
8	588 54 37-01	TRIMMER GUARD ASSY		1	
9	576 27 56-01	SCREW ITXSCFT		1	8
10	503 79 88-01	BLADE		1	8
11	588 11 79-01	COMBINATION GUARD		1	
12	576 27 56-01	SCREW ITXSCFT		1	11
13	503 79 88-01	BLADE		1	11

**R2** 524L, 525L, LS, LST, LK, RJX, RJD, RS, RX, RXT, RK  
ACCESSORIES

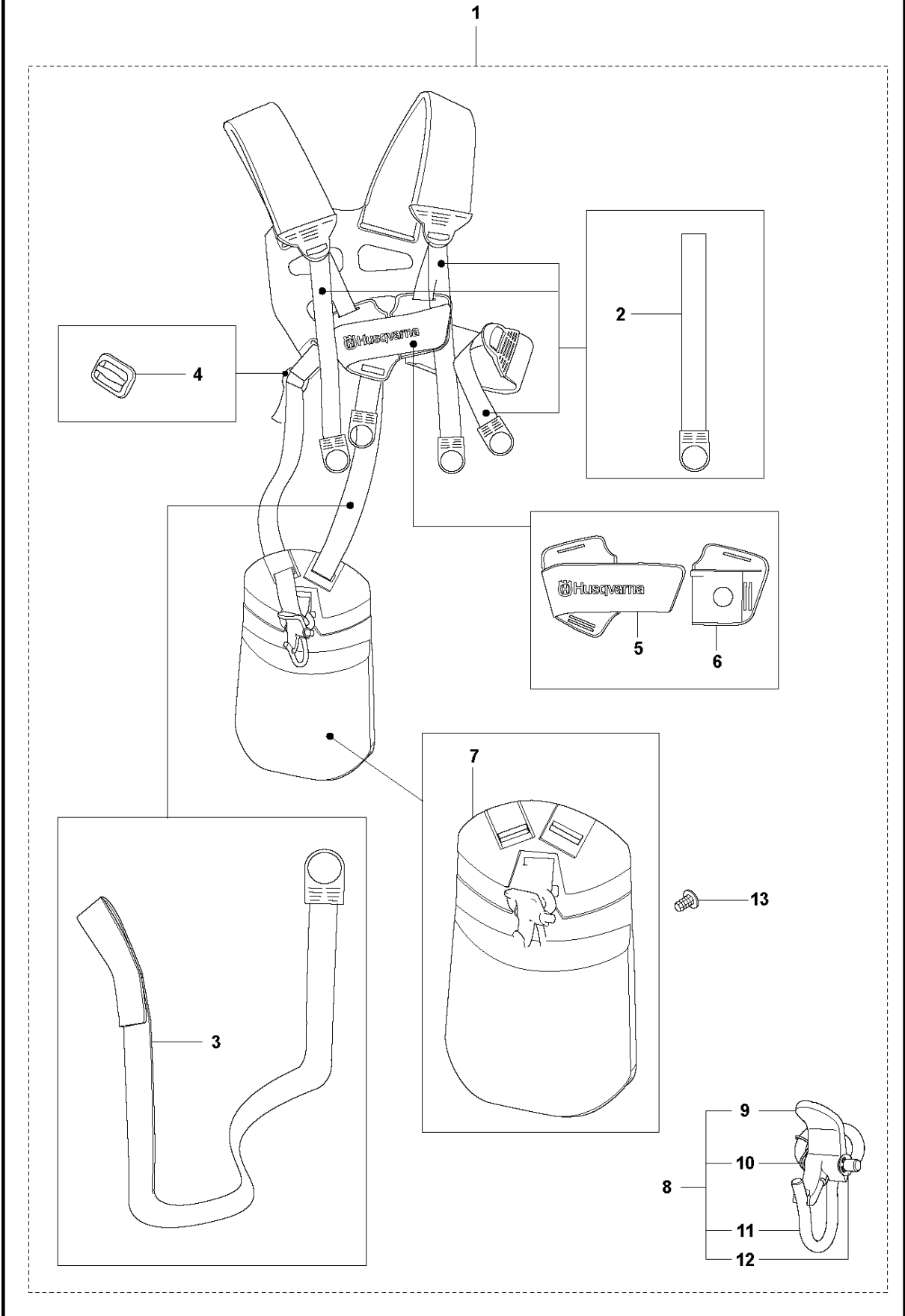


## ACCESSORIES

525 RJD

Ref	Part No	Description	Remark	QTY	KIT
1	502 28 59-01	STOP		1	
2	575 73 82-02	COMBINATION WRENCH		1	
3	501 60 02-03	SCREWDRIVER		1	
4	502 21 58-01	WRENCH		1	
5	531 00 92-48	FILTER OIL		1	
6	503 97 64-01	GREASE		1	
7	537 35 36-01	LOOP		1	
8	537 13 04-02	KNOB		1	7
9	537 35 01-01	LOOP		1	7
10	725 23 31-51	SCREW		1	7
11	537 31 29-01	TRANSPORT GUARD	200 - 275mm	1	
12	537 21 62-01	HARNESS		1	
12	537 21 62-02	HARNESS	USA	1	
13	537 21 63-01	HARNESS		1	
13	537 21 63-02	HARNESS	USA	1	
14	503 73 40-01	FRONT PIECE		1	13
15	503 73 41-02	FRONT PIECE		1	13
16	502 02 28-02	WELT HOOK		1	13

**S** Duo Balance  
HARNESS





## HARNES

525 RJD

Ref	Part No	Description	Remark	QTY KIT	
1	537 27 57-01	HARNES		1	
1	537 27 57-03	HARNES	US	1	1
2	503 99 61-01	BAND		3	1
3	503 99 61-03	BAND		1	1
4	537 11 35-01	RETAINER		1	1
5	537 28 84-01	FRONT PIECE		1	1
6	537 28 83-01	FRONT PIECE		1	1
7	537 27 59-01	HIP PAD		1	1
8	502 02 28-01	HOOK		1	1
9	502 02 30-02	LOCK		1	1,8
10	586 34 10-01	SPRING		1	1,8
11	502 02 29-02	HOOK		1	1,8
12	735 31 09-20	E-CLIP		1	1,8
13	537 17 54-01	HIP PAD		3	1