

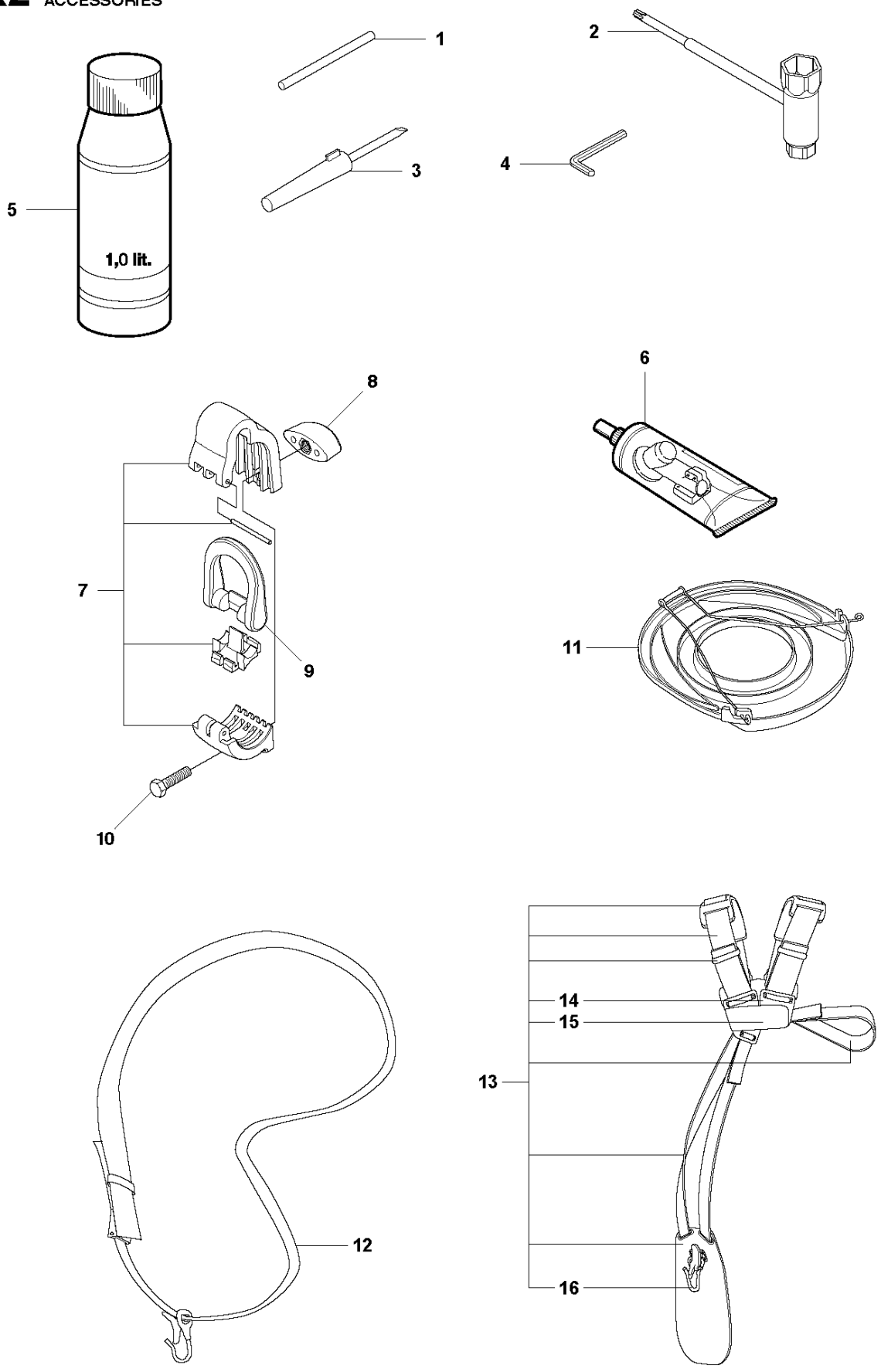


SPARE PARTS LIST

BRUSHCUTTERS/CLEARING SAWS

525 RK

R2 524L, 525L, LS, LST, LK, RJX, RJD, RS, RX, RXT, RK
ACCESSORIES

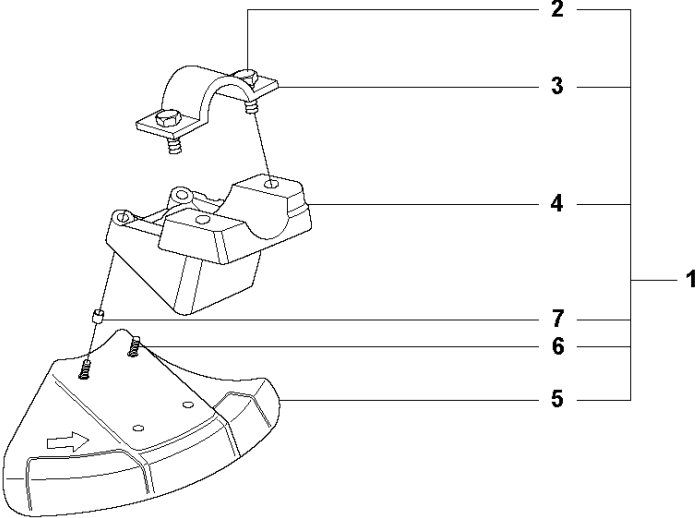


ACCESSORIES

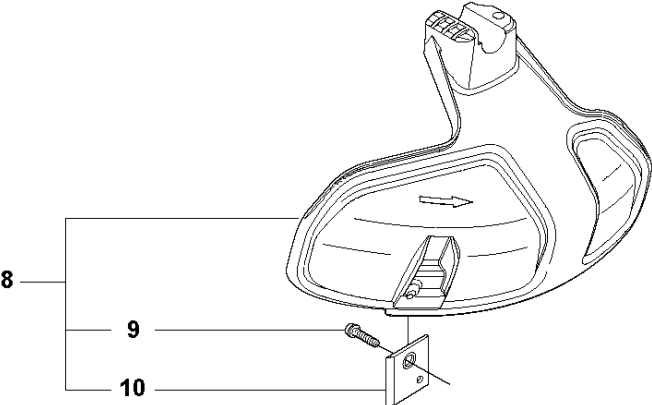
525 RK

| Ref | Part No | Description | Remark | QTY | KIT |
|-----|--------------|--------------------|-------------|-----|-----|
| 1 | 502 28 59-01 | STOP | | 1 | |
| 2 | 575 73 82-02 | COMBINATION WRENCH | | 1 | |
| 3 | 501 60 02-03 | SCREWDRIVER | | 1 | |
| 4 | 502 21 58-01 | WRENCH | | 1 | |
| 5 | 531 00 92-48 | FILTER OIL | | 1 | |
| 6 | 503 97 64-01 | GREASE | | 1 | |
| 7 | 537 35 36-01 | LOOP | | 1 | |
| 8 | 537 13 04-02 | KNOB | | 1 | 7 |
| 9 | 537 35 01-01 | LOOP | | 1 | 7 |
| 10 | 725 23 31-51 | SCREW | | 1 | 7 |
| 11 | 537 31 29-01 | TRANSPORT GUARD | 200 - 275mm | 1 | |
| 12 | 537 21 62-01 | HARNESS | | 1 | |
| 12 | 537 21 62-02 | HARNESS | USA | 1 | |
| 13 | 537 21 63-01 | HARNESS | | 1 | |
| 13 | 537 21 63-02 | HARNESS | USA | 1 | |
| 14 | 503 73 40-01 | FRONT PIECE | | 1 | 13 |
| 15 | 503 73 41-02 | FRONT PIECE | | 1 | 13 |
| 16 | 502 02 28-02 | WELT HOOK | | 1 | 13 |

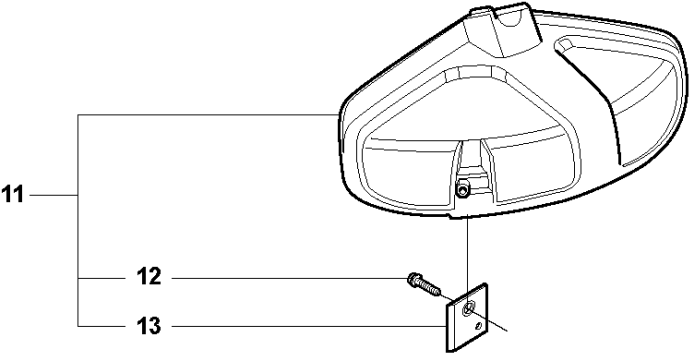
R1 525 RX, RXT, RK
ACCESSORIES



524L, 525L, LS, LST, LK, RJX, RJD, RS, RX, RXT, RK



524L, 525L, LS, LST, LK, RJX, RJD, RS, RX, RXT, RK

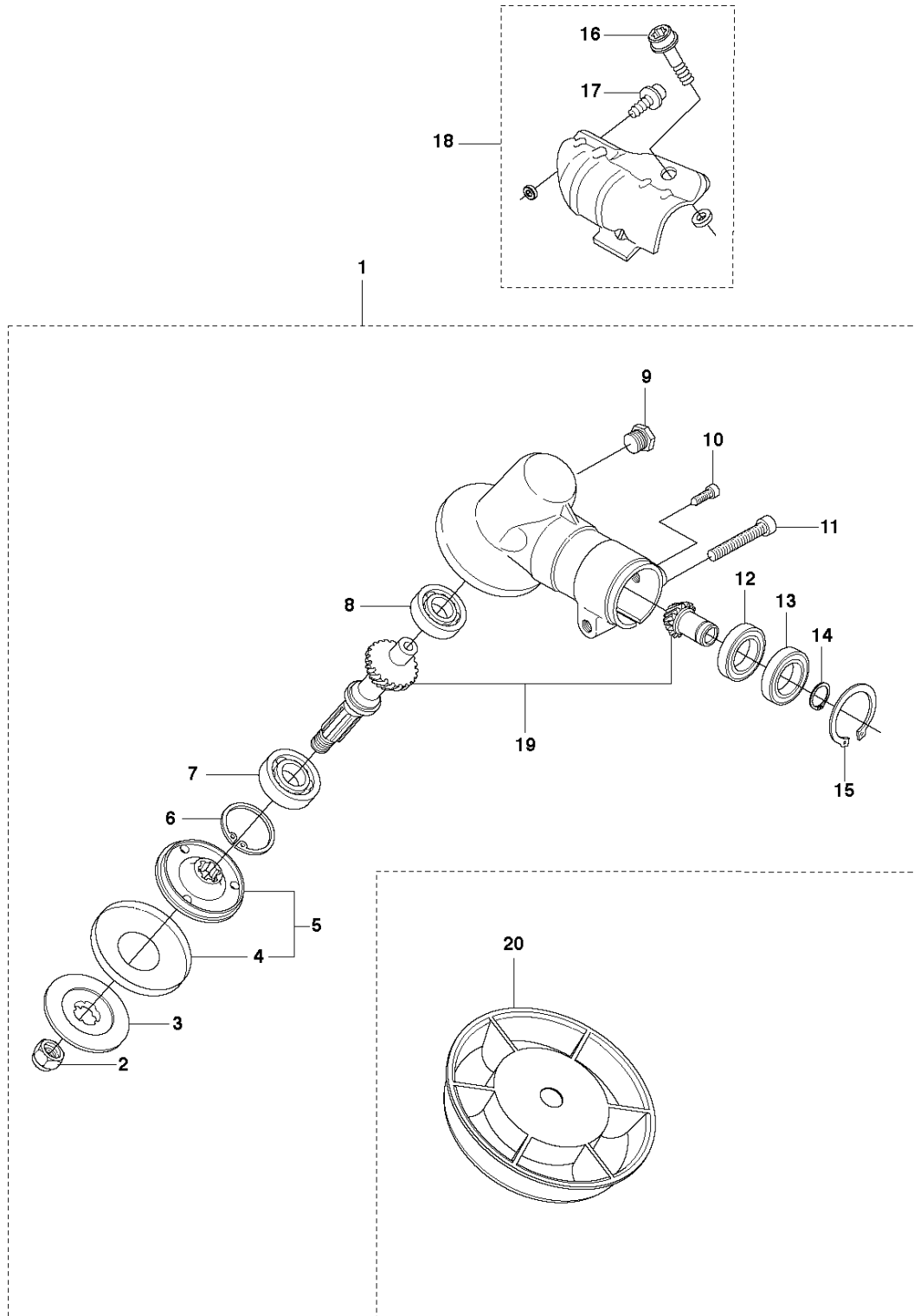


ACCESSORIES

525 RK

| Ref | Part No | Description | Remark | QTY | KIT |
|-----|--------------|-----------------|-------------|-----|-----|
| 1 | 537 29 95-01 | SAW BLADE GUARD | RX, RXT, RK | 1 | |
| 2 | 573 99 43-04 | SCREW IHSCFMO | | 2 | 1 |
| 3 | 537 04 75-01 | CLAMP | | 1 | 1 |
| 4 | 537 29 34-01 | ADAPTER | | 1 | 1 |
| 5 | 537 21 71-01 | SAW BLADE GUARD | | 1 | 1 |
| 6 | 503 20 03-16 | SCREW IHSCFM | | 4 | 1 |
| 7 | 574 03 95-01 | LOCKING NUT | | 4 | 1 |
| 8 | 503 97 71-01 | TRIMMER GUARD | | 1 | |
| 9 | 503 21 07-16 | SCREW IHSCF | | 1 | 8 |
| 10 | 503 79 88-01 | BLADE | | 1 | 8 |
| 11 | 503 93 42-02 | COMBI GUARD | | 1 | |
| 12 | 503 21 07-16 | SCREW IHSCF | | 1 | 11 |
| 13 | 503 79 88-01 | BLADE | | 1 | 11 |

A1 524L, 525L, LS, LK, RJX, RJD, RS, RX, RXT, RK
BEVEL GEAR

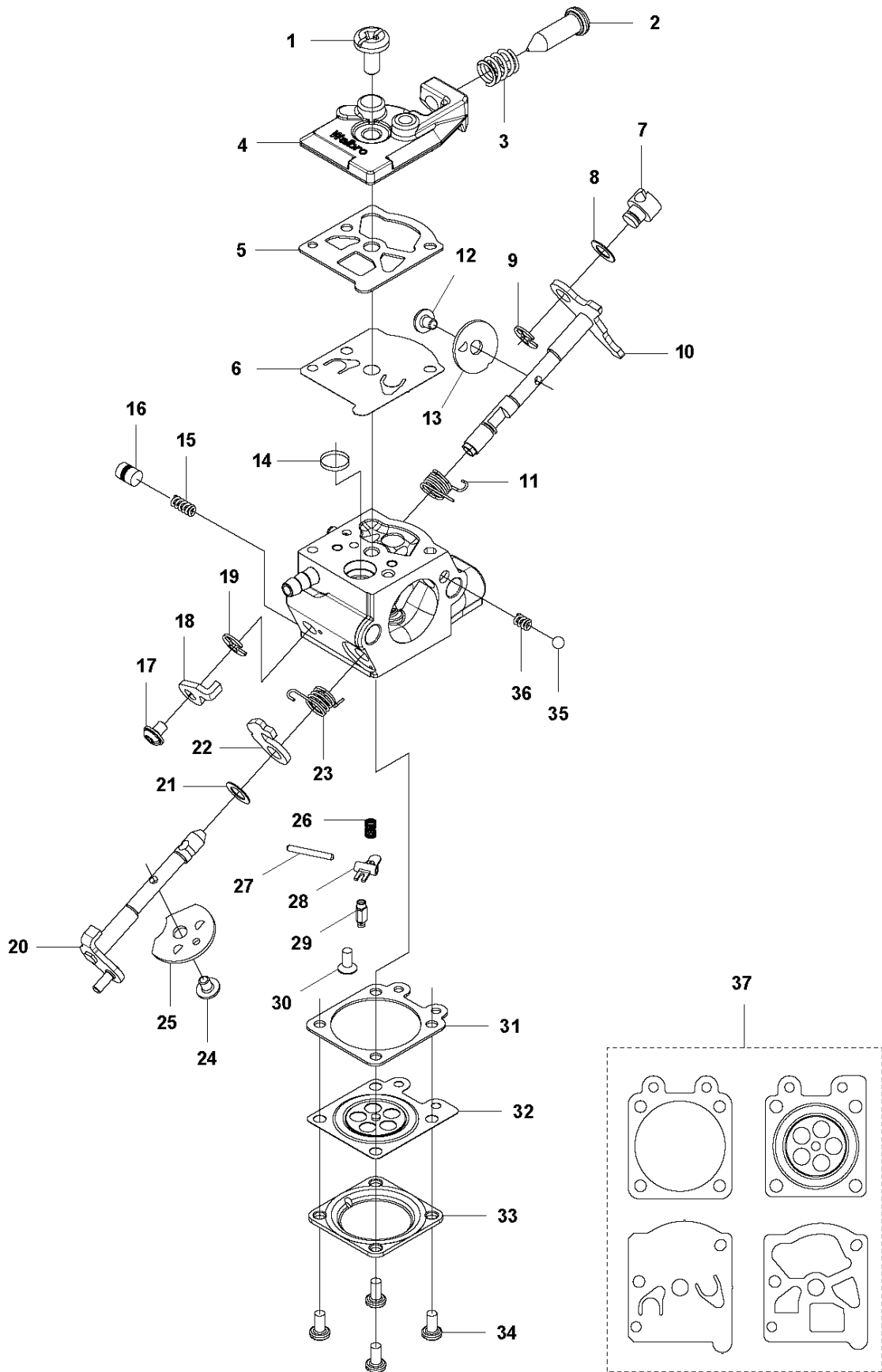


BEVEL GEAR

525 RK

| Ref | Part No | Description | Remark | QTY | KIT |
|-----|--------------|-----------------|--------|-----|-----|
| 1 | 537 19 92-02 | BEVEL GEAR ASSY | | 1 | |
| 2 | 503 85 63-01 | NUT | | 1 | 1 |
| 3 | 537 28 56-01 | SUPPORT FLANGE | | 1 | 1 |
| 4 | 537 29 26-01 | CUP | | 1 | 1 |
| 5 | 537 23 49-01 | DRIVER ASSY | | 1 | 1 |
| 6 | 735 31 28-10 | CIRCLIP | | 1 | 1 |
| 7 | 503 25 24-01 | BALL BEARING | | 1 | 1 |
| 8 | 738 21 98-00 | BALL BEARING | | 1 | 1 |
| 9 | 503 20 15-01 | SCREW IHHM | | 1 | 1 |
| 10 | 503 20 14-12 | SCREW IHSCFMO | | 1 | 1 |
| 11 | 503 20 07-25 | SCREW IHSCFM | | 1 | 1 |
| 12 | 738 21 99-00 | BALL BEARING | | 1 | 1 |
| 13 | 738 21 99-02 | BALL BEARING | | 1 | 1 |
| 14 | 735 31 11-00 | CIRCLIP | | 1 | 1 |
| 15 | 735 31 25-10 | CIRCLIP | | 1 | 1 |
| 16 | 544 21 84-20 | SCREW ITXSCM | | 1 | 18 |
| 17 | 501 98 10-01 | SCREW ITXSCM | | 1 | 18 |
| 18 | 574 30 69-03 | CLAMP | | 1 | |
| 19 | 537 04 10-01 | GEAR WHEEL KIT | | 1 | 1 |
| 20 | 503 89 01-01 | SUPPORT CUP | | 1 | |

Q 524, 525
CARBURETOR

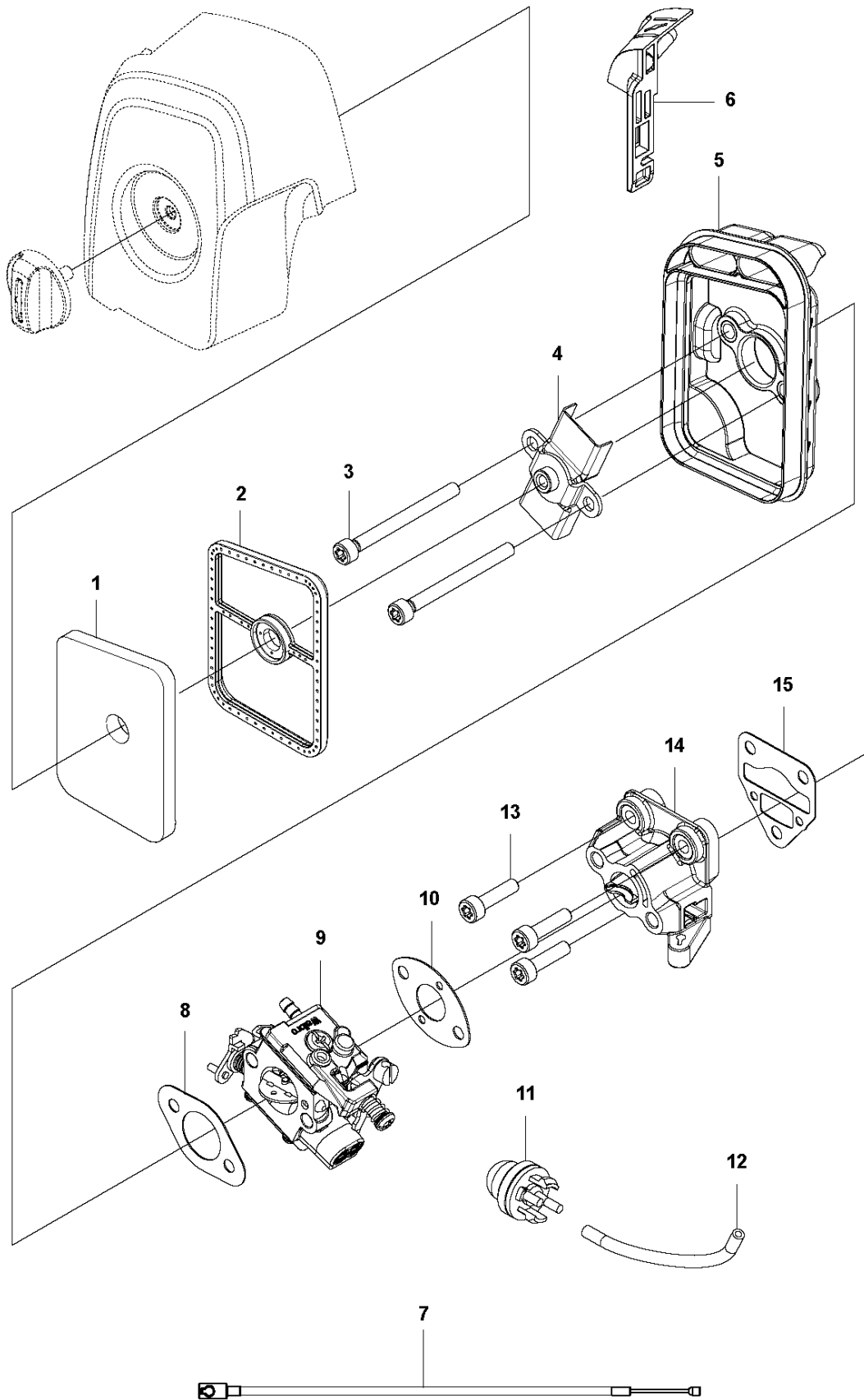


CARBURETOR

525 RK

| Ref | Part No | Description | Remark | QTY KIT |
|-----|--------------|----------------|-------------------------------------|---------|
| 1 | 520 97 63-01 | SCREW | | 1 |
| 2 | 577 81 57-01 | SCREW | | 1 |
| 3 | 513 59 32-01 | SPRING | | 1 |
| 4 | 579 19 06-01 | COVER | | 1 |
| 5 | 520 95 48-01 | GASKET | | 1 |
| 6 | 502 21 36-01 | DIAPHRAGM PUMP | | 1 |
| 7 | 513 40 08-01 | SWIVEL | | 1 |
| 8 | 516 52 42-01 | WASHER | | 1 |
| 9 | 506 73 86-01 | RING | | 1 |
| 10 | 579 19 07-01 | SHAFT | | 1 |
| 11 | 577 81 55-01 | SPRING | | 1 |
| 12 | 520 75 98-01 | SCREW | | 1 |
| 13 | 520 97 86-01 | VALVE | | 1 |
| 14 | 520 95 70-01 | SCREEN | | 1 |
| 15 | 505 05 79-01 | SPRING | | 1 |
| 16 | 584 90 12-01 | PISTON ASSY | | 1 |
| 17 | 520 75 98-01 | SCREW | | 1 |
| 18 | 579 19 08-01 | LEVER | | 1 |
| 19 | 505 05 65-01 | RING | | 1 |
| 20 | 579 19 10-01 | SHAFT | | 1 |
| 21 | 516 52 42-01 | WASHER | | 1 |
| 22 | 584 90 13-01 | LEVER | | 1 |
| 23 | 579 19 11-01 | SPRING | | 1 |
| 24 | 520 75 98-01 | SCREW | | 1 |
| 25 | 581 15 49-01 | VALVE | | 1 |
| 26 | 578 89 54-01 | SPRING | | 1 |
| 27 | 520 97 74-01 | PIN | | 1 |
| 28 | 577 80 72-01 | LEVER | | 1 |
| 29 | 521 08 54-01 | VALVE.INLET | | 1 |
| 30 | 577 80 71-01 | SCREW | | 1 |
| 31 | 516 97 21-01 | GASKET | | 1 |
| 32 | 577 80 70-01 | DIAPHRAGM | | 1 |
| 33 | 514 18 92-01 | COVER | | 1 |
| 34 | 520 97 88-01 | SCREW ASSY | | 4 |
| 35 | 514 24 26-01 | BALL | | 1 |
| 36 | 514 24 33-01 | SPRING.CHOKE | | 1 |
| 37 | 580 68 48-01 | GASKET KIT | Coomopes by item 5, 6, 31 and 32 | 1 |

H2 525 LK, RJX, RX, RXT, RK
CARBURETOR & AIRFILTER

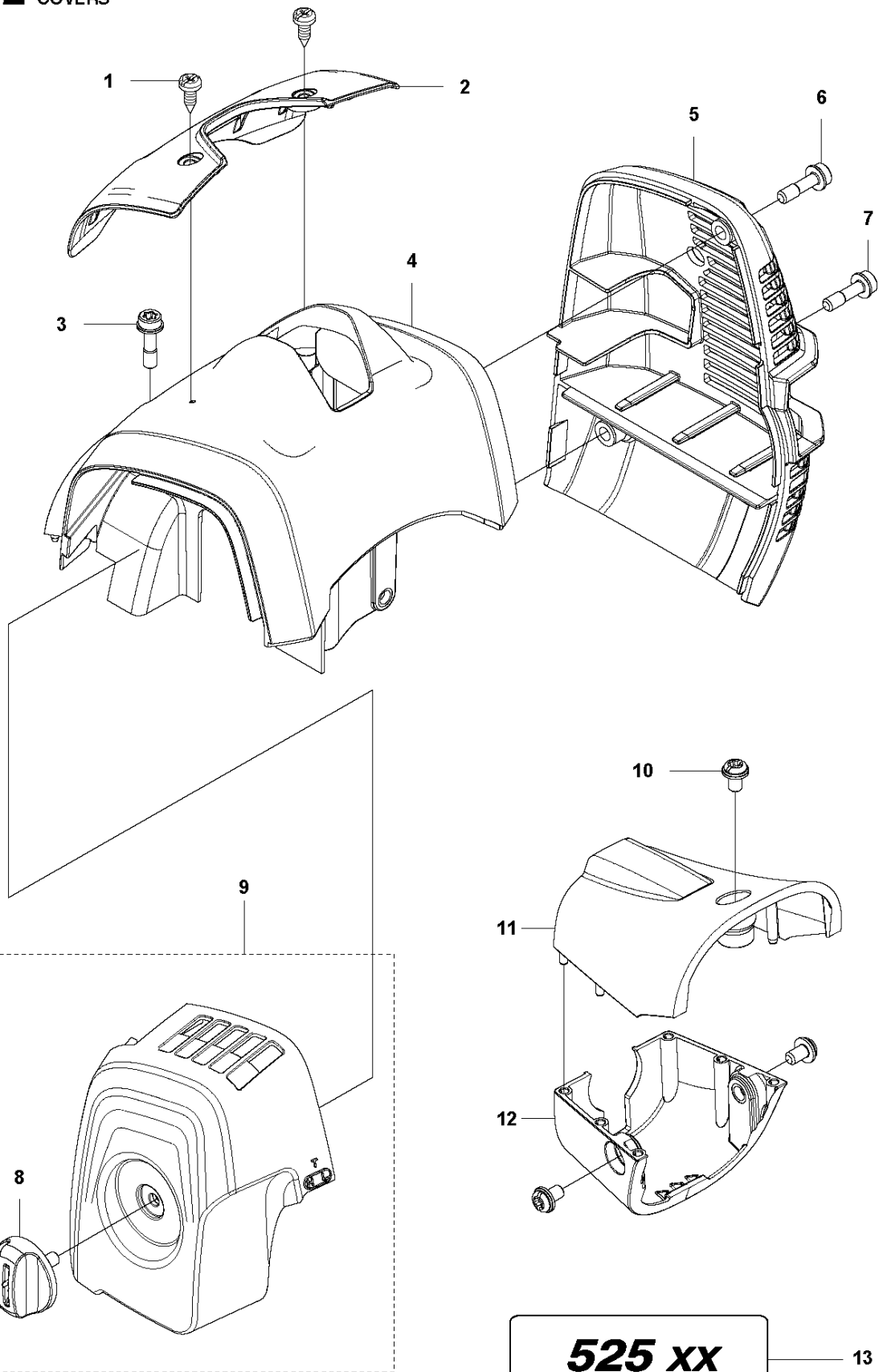


CARBURETOR & AIR FILTER

525 RK

| Ref | Part No | Description | Remark | QTY KIT |
|-----|--------------|----------------|--------|---------|
| 1 | 581 04 74-01 | AIR FILTER | | 1 |
| 2 | 581 45 18-01 | AIR FILTER | | 1 |
| 3 | 580 46 72-01 | BOLT | | 2 |
| 4 | 585 48 85-01 | PLATE | | 1 |
| 5 | 581 04 70-01 | FILTER HOUSING | | 1 |
| 6 | 577 84 83-01 | CHOKE CONTROL | | 1 |
| 7 | 590 90 00-01 | THROTTLE CABLE | | 1 |
| 8 | 577 88 24-02 | GASKET | | 1 |
| 9 | 584 90 14-01 | CARBURETTOR | | 1 |
| 10 | 576 39 91-02 | GASKET | | 1 |
| 11 | 503 93 66-01 | PURGE | | 1 |
| 12 | 577 05 05-01 | PIPE | | 1 |
| 13 | 504 11 43-01 | SCREW | | 3 |
| 14 | 578 90 83-01 | INSULATOR | | 1 |
| 15 | 576 39 89-01 | GASKET | | 1 |

G2 525 LK, RJX, RX, RXT, RK
COVERS

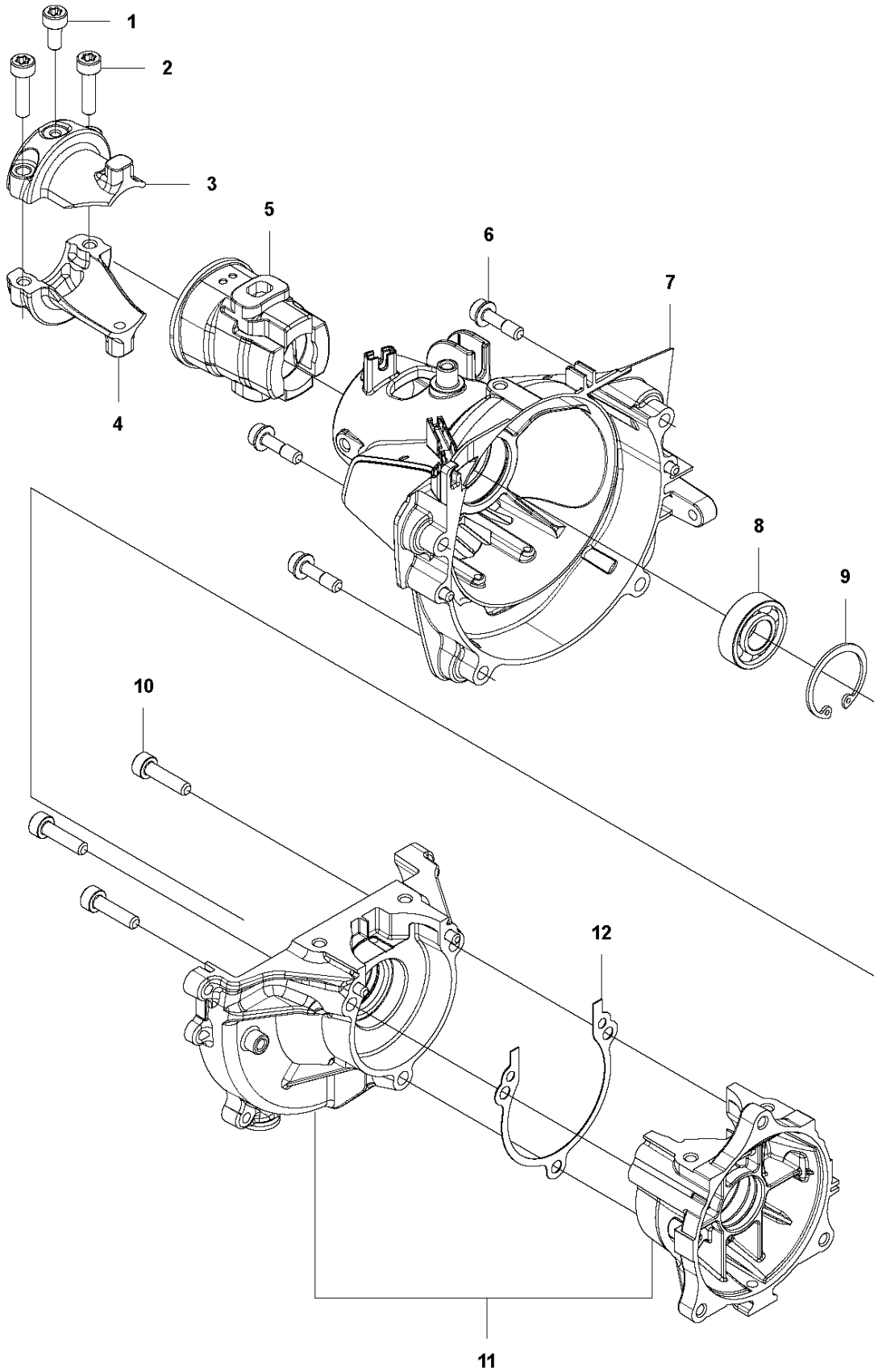


COVER

525 RK

| Ref | Part No | Description | Remark | QTY | KIT |
|-----|--------------|-------------------|---|-----|-----|
| 1 | 503 21 35-12 | SCREW CCRPANT | | 2 | |
| 2 | 576 40 45-01 | ARM PROTECTION | | 1 | |
| 3 | 577 81 54-01 | BOLT | | 1 | |
| 4 | 592 62 13-01 | CYLINDER COVER | To be used with 576404101 Housing clutch | 1 | |
| 4 | 592 62 13-02 | CYLINDER COVER | To be used with 588567701 Housing clutch | 1 | |
| 5 | 576 40 47-01 | MUFFLER GUARD | | 1 | |
| 6 | 577 81 54-01 | BOLT | | 1 | |
| 7 | 577 81 54-01 | BOLT | | 1 | |
| 8 | 576 99 24-02 | KNOB | | 1 | 9 |
| 9 | 581 04 73-01 | FILTER COVER ASSY | | 1 | |
| 10 | 544 25 68-01 | SCREW | | 3 | |
| 11 | 577 85 11-01 | COVER | | 1 | |
| 12 | 577 85 10-01 | COVER | | 1 | |
| 13 | 579 44 58-09 | DECAL | 525RK | 1 | |

N 524, 525
CRANK CASE

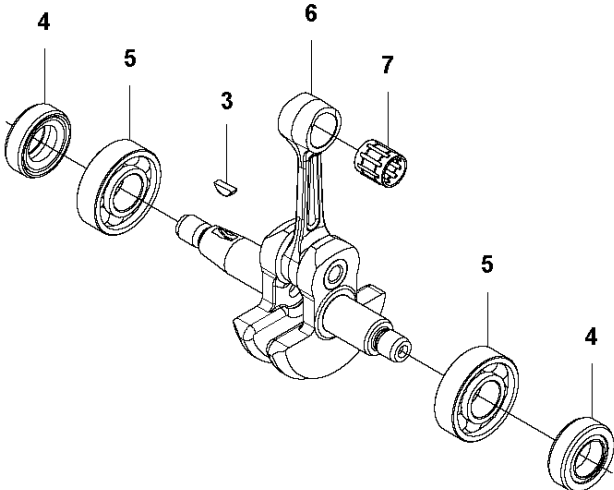
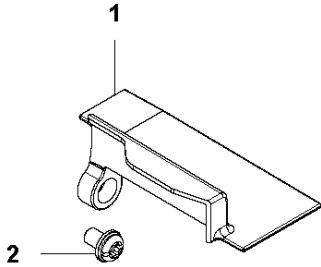


CRANKCASE

525 RK

| Ref | Part No | Description | Remark | QTY KIT |
|-----|--------------|-------------|--------|---------|
| 1 | 529 26 81-01 | BOLT | | 1 |
| 2 | 577 94 20-01 | BOLT | | 2 |
| 3 | 576 42 07-02 | BRACKET | | 1 |
| 4 | 576 42 08-02 | BRACKET | | 1 |
| 5 | 576 42 05-01 | CUSHION | | 1 |
| 6 | 577 81 54-01 | BOLT | | 4 |
| 7 | 588 56 77-01 | HOUSING | | 1 |
| 8 | 525 95 32-01 | BEARING | | 1 |
| 9 | 506 60 99-01 | RING | | 1 |
| 10 | 504 11 43-01 | SCREW | | 3 |
| 11 | 581 30 86-01 | CRANKCASE | | 1 |
| 12 | 576 39 95-02 | GASKET | | 1 |

P 524, 525
CRANK SHAFT

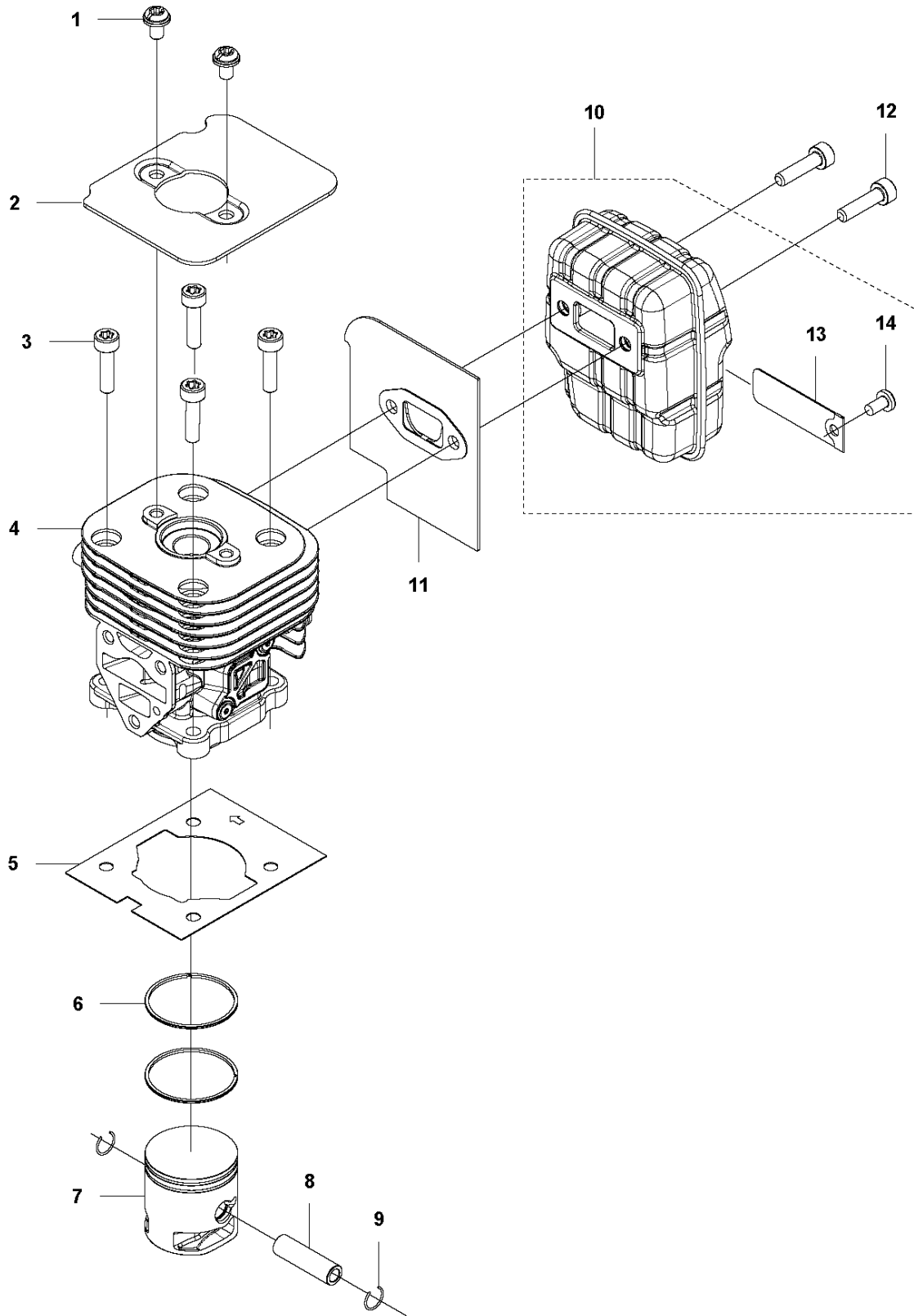


CRANKSHAFT

525 RK

| Ref | Part No | Description | Remark | QTY KIT |
|-----|--------------|-------------|--------|---------|
| 1 | 576 40 46-01 | MUFFLER | | 1 |
| 2 | 544 25 68-01 | SCREW | | 1 |
| 3 | 506 68 94-01 | KEY | | 1 |
| 4 | 504 12 15-01 | SEALING | | 2 |
| 5 | 506 61 03-01 | BEARING | | 2 |
| 6 | 579 22 32-01 | CRANKSHAFT | | 1 |
| 7 | 576 40 27-01 | BEARING | | 1 |

M 524, 525
CYLINDER PISTON & MUFFLER



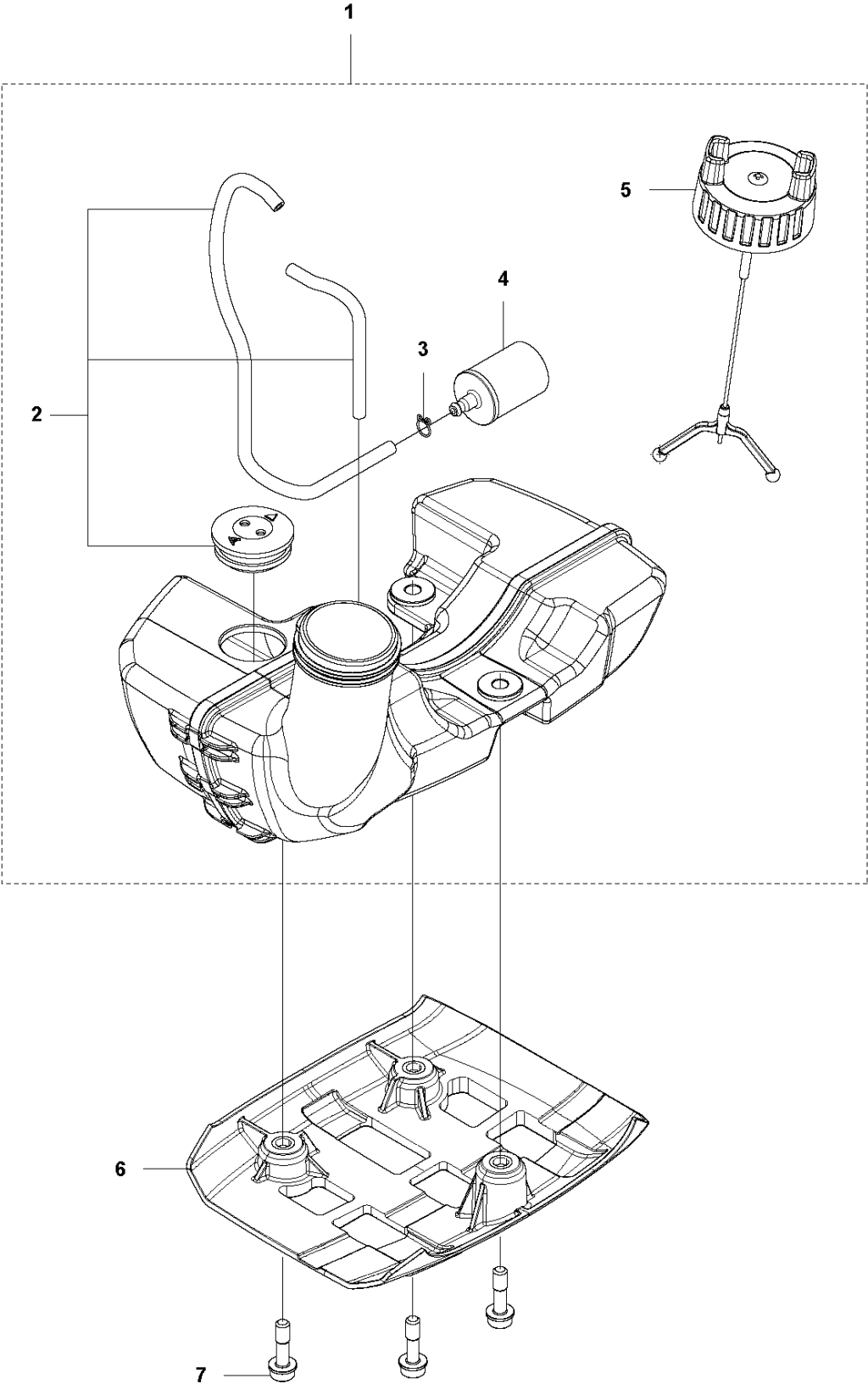
CYLINDER, PISTON & MUFFLER

525 RK

| Ref | Part No | Description | Remark | QTY | KIT |
|-----|--------------|----------------|-------------------------|-----|-----|
| 1 | 544 25 68-01 | SCREW | | 2 | |
| 2 | 578 78 53-01 | PLATE | | 1 | |
| 3 | 504 11 43-01 | SCREW | | 4 | |
| 4 | 577 97 90-01 | CYLINDER | | 1 | |
| 5 | 576 39 87-02 | GASKET | | 1 | |
| 6 | 506 61 81-01 | RING | | 2 | |
| 7 | 577 91 74-01 | PISTON | | 1 | |
| 8 | 505 04 07-01 | PIN | | 1 | |
| 9 | 505 04 52-01 | RING | | 2 | |
| 10 | 585 24 86-01 | MUFFLER | | 1 | |
| 10 | 585 03 29-01 | MUFFLER ASSY | Australia / New Zealand | 1 | |
| 11 | 578 40 81-01 | GASKET | | 1 | |
| 12 | 504 11 43-01 | SCREW | | 2 | |
| 13 | 580 51 44-01 | SPARK ARRESTER | | 1 | 10 |
| 14 | 729 57 74-05 | SCREW CRPANT | | 1 | 10 |

K2 524L, 525LK, RJX, RX, RXT, RK

FUEL TANK

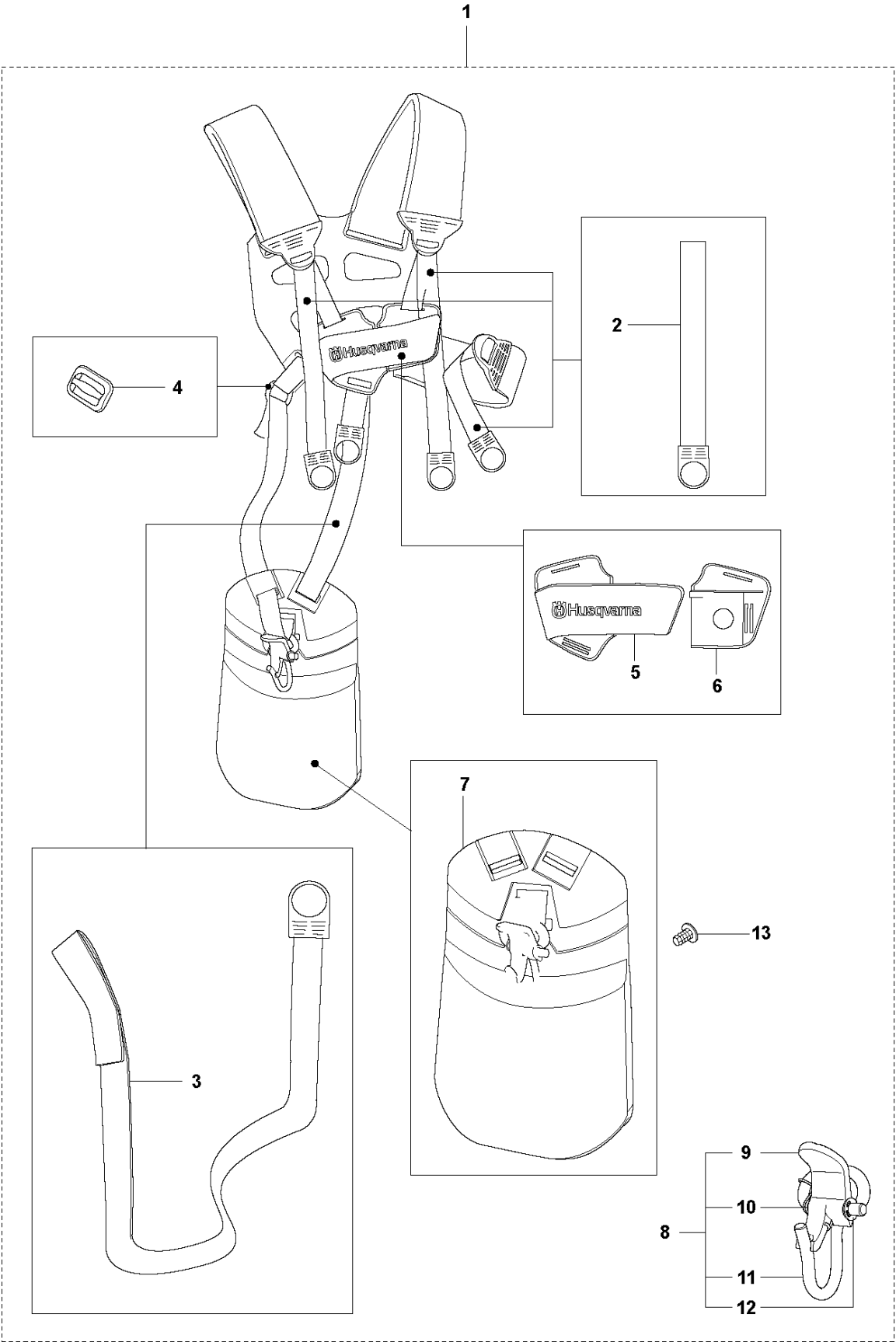


FUEL TANK

525 RK

| Ref | Part No | Description | Remark | QTY | KIT |
|-----|--------------|-------------|--------|-----|-----|
| 1 | 576 40 51-02 | FUEL TANK | | 1 | |
| 2 | 577 50 99-03 | PIPE | | 1 | 1 |
| 3 | 506 70 70-01 | CLIP | | 1 | 1 |
| 4 | 503 44 32-01 | FUEL FILTER | | 1 | 1 |
| 5 | 579 64 57-03 | TANK CAP | | 1 | 1 |
| 6 | 576 40 49-01 | SKID PLATE | | 1 | |
| 7 | 577 81 54-01 | BOLT | | 1 | |

S Duo Balance HARNESS

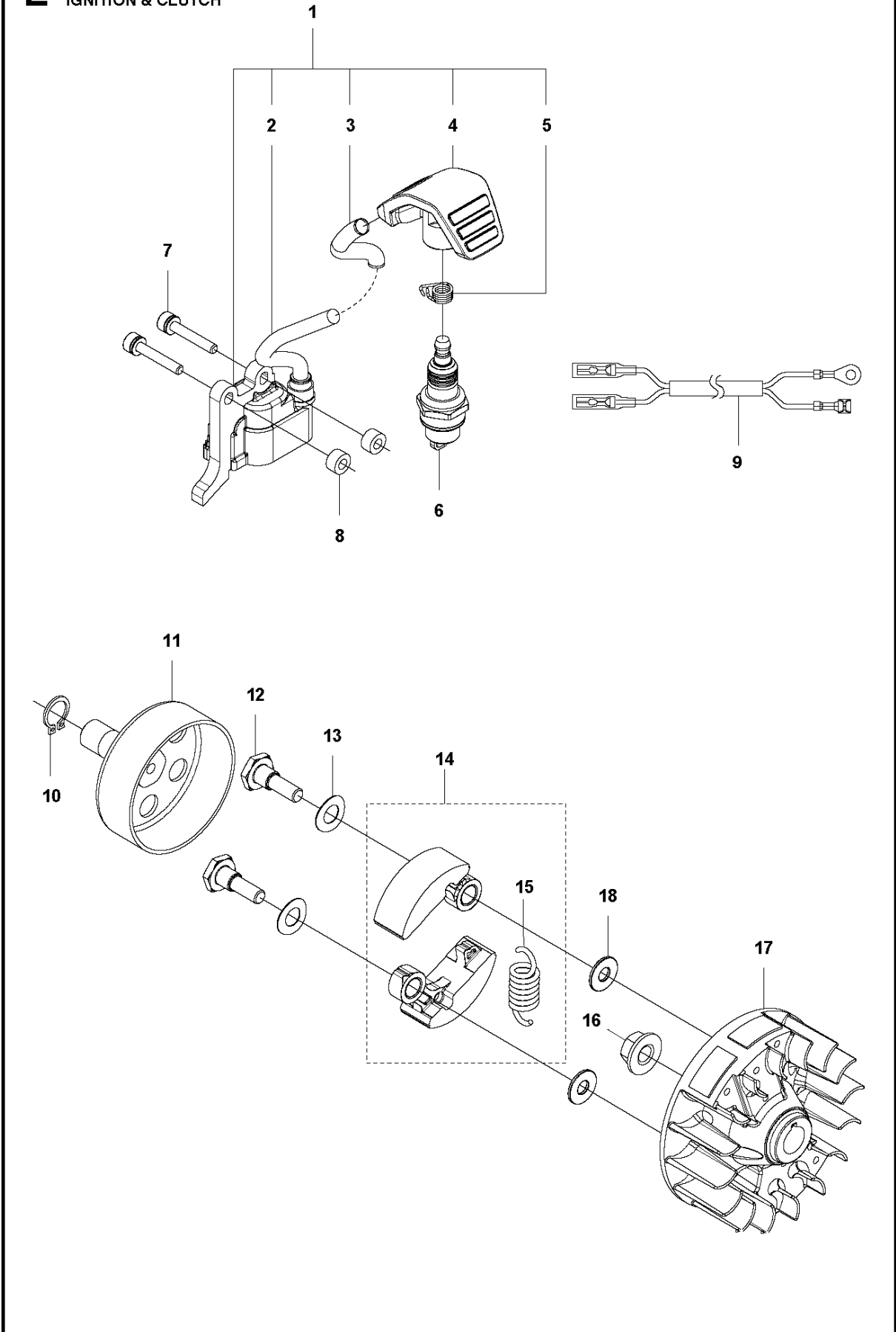


HARNES

525 RK

| Ref | Part No | Description | Remark | QTY KIT | |
|-----|--------------|-------------|--------|---------|-----|
| 1 | 537 27 57-01 | HARNES | | 1 | |
| 1 | 537 27 57-03 | HARNES | US | 1 | 1 |
| 2 | 503 99 61-01 | BAND | | 3 | 1 |
| 3 | 503 99 61-03 | BAND | | 1 | 1 |
| 4 | 537 11 35-01 | RETAINER | | 1 | 1 |
| 5 | 537 28 84-01 | FRONT PIECE | | 1 | 1 |
| 6 | 537 28 83-01 | FRONT PIECE | | 1 | 1 |
| 7 | 537 27 59-01 | HIP PAD | | 1 | 1 |
| 8 | 502 02 28-01 | HOOK | | 1 | 1 |
| 9 | 502 02 30-02 | LOCK | | 1 | 1,8 |
| 10 | 586 34 10-01 | SPRING | | 1 | 1,8 |
| 11 | 502 02 29-02 | HOOK | | 1 | 1,8 |
| 12 | 735 31 09-20 | E-CLIP | | 1 | 1,8 |
| 13 | 537 17 54-01 | HIP PAD | | 3 | 1 |

L 524, 525
IGNITION & CLUTCH

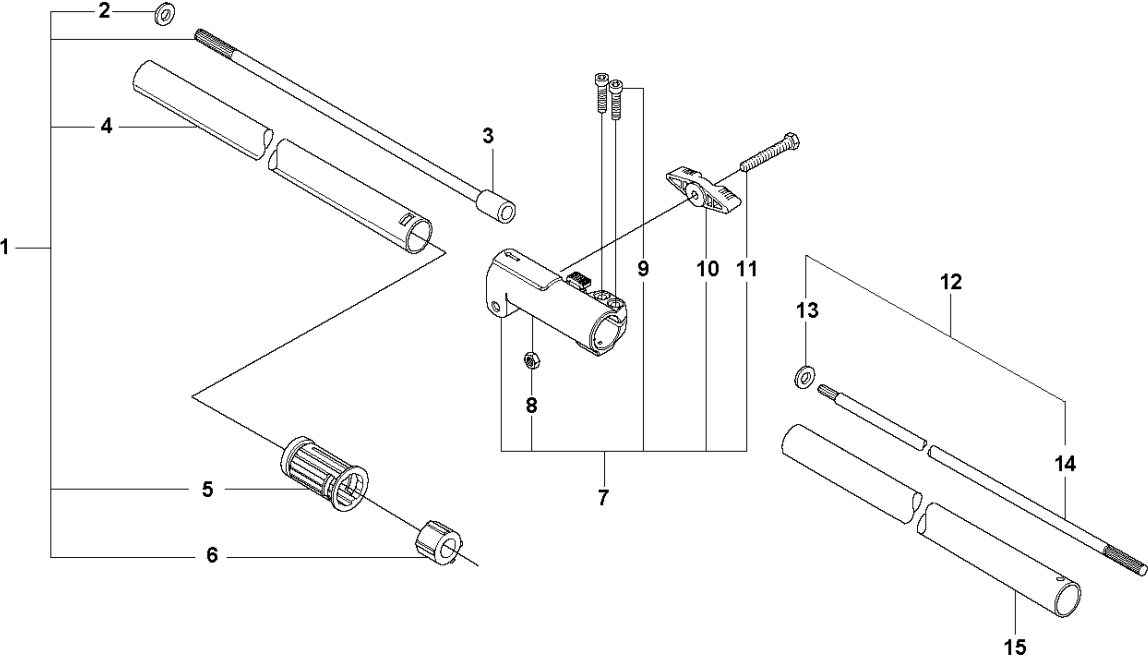


IGNITION SYSTEM & CLUTCH

525 RK

| Ref | Part No | Description | Remark | QTY | KIT |
|-----|--------------|---------------------|---------------|-----|-----|
| 1 | 588 14 15-01 | IGNITION COIL | | 1 | |
| 2 | 584 82 66-01 | IGNITION CABLE | | 1 | 1 |
| 3 | 579 59 07-01 | TUBE | | 1 | 1 |
| 4 | 586 10 72-01 | SPARK PLUG CAP | | 1 | 1 |
| 5 | 580 63 48-01 | SPRING | | 1 | 1 |
| 6 | 584 96 81-01 | SPARK PLUG | BPMR-8Y : NGK | 1 | |
| 7 | 521 51 58-01 | BOLT | | 2 | |
| 8 | 521 76 97-01 | SPACER | | 2 | |
| 9 | 577 85 17-01 | SHORT CIRCUIT CABLE | | 1 | |
| 10 | 516 12 41-01 | RING | | 1 | |
| 11 | 581 14 20-01 | CLUTCH DRUM | | 1 | |
| 12 | 513 18 96-01 | SCREW | | 2 | |
| 13 | 521 75 82-01 | WASHER | | 2 | |
| 14 | 577 05 28-01 | CLUTCH ASSY | | 1 | |
| 15 | 576 40 07-01 | CLUTCH SPRING | | 1 | 14 |
| 16 | 504 11 80-01 | NUT | | 1 | |
| 17 | 578 96 78-01 | FLYWHEEL | | 1 | |
| 18 | 505 05 44-01 | WASHER | | 2 | |

C1 525LK, RK, RJD
SHAFT



16



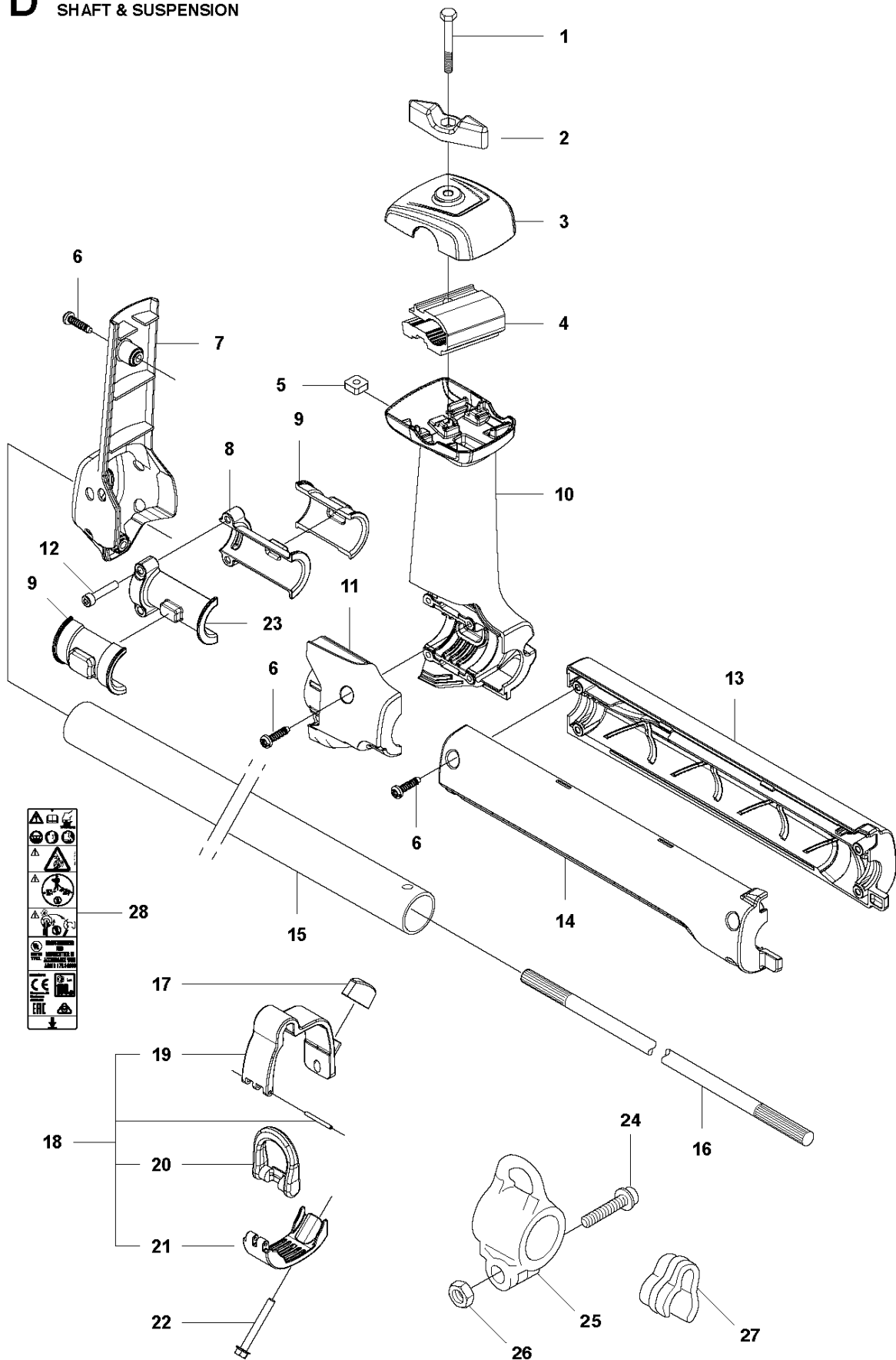
17

SHAFT

525 RK

| Ref | Part No | Description | Remark | QTY KIT | |
|-----|--------------|----------------------|-------------|---------|----|
| 1 | 579 19 95-01 | TUBE | | 1 | |
| 2 | 735 58 08-10 | LOCKWASHER | | 1 | 1 |
| 3 | 537 01 19-01 | DRIVE SHAFT | L=843 Ø7mm | 1 | 1 |
| 4 | 579 19 96-01 | TUBE | L=829 Ø24mm | 1 | 1 |
| 5 | 544 37 87-01 | PLUG | | 1 | 1 |
| 6 | 503 78 52-02 | SUPPORTING BEARING | | 1 | 1 |
| 7 | 576 28 26-01 | CLAMPING SLEEVE ASSY | | 1 | |
| 8 | 731 23 16-01 | HEXAGON NUT | | 1 | 7 |
| 9 | 525 75 51-04 | SCREW ITXSCFM | | 2 | 7 |
| 10 | 576 28 24-01 | KNOB | | 1 | 7 |
| 11 | 725 23 76-01 | SCREW | | 1 | 7 |
| 12 | 581 50 04-01 | DRIVE SHAFT | | 1 | |
| 13 | 735 58 08-10 | LOCKWASHER | | 1 | 12 |
| 14 | 581 81 51-02 | DRIVE SHAFT | L=696 Ø7mm | 1 | 12 |
| 15 | 579 19 94-01 | TUBE | L=650 Ø24mm | 1 | |
| 16 | 587 11 19-04 | LABEL | | 1 | |
| 17 | 503 79 56-01 | LABEL | | 1 | |

D 525 RXT, RK, RX
SHAFT & SUSPENSION

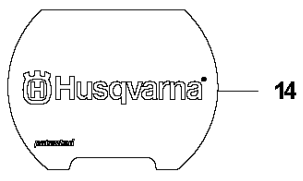
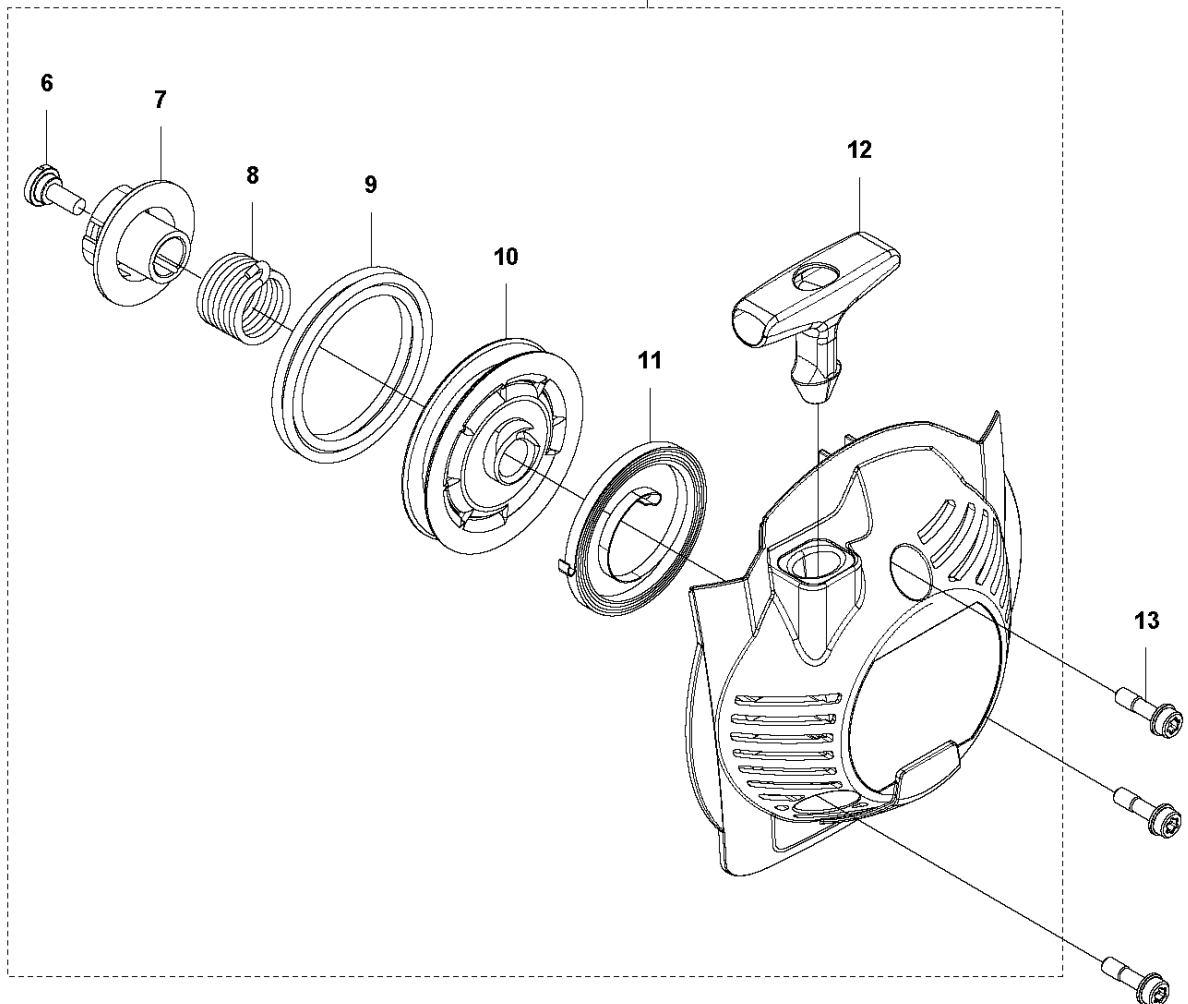
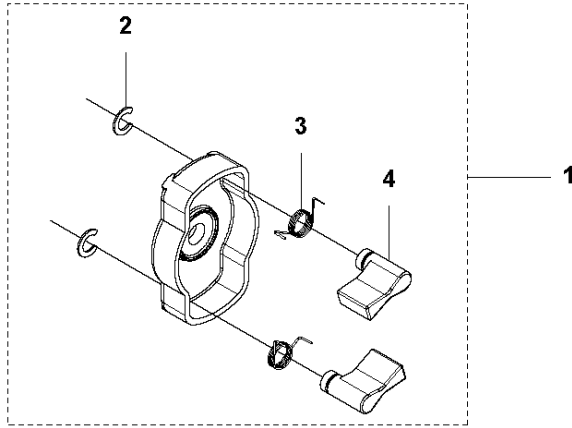


SHAFT & HANDLE

525 RK

| Ref | Part No | Description | Remark | QTY | KIT |
|-----|--------------|-------------------|---------|-----|-----|
| 1 | 725 23 82-85 | SCREW EHHM | M6x60 | 1 | |
| 2 | 502 20 38-01 | KNOB | | 1 | |
| 3 | 577 55 82-01 | CAP | | 1 | |
| 4 | 544 02 09-01 | CLIP | | 1 | |
| 5 | 502 19 71-01 | SQUARE NUT | | 1 | 10 |
| 6 | 525 76 46-04 | SCREW ITXSCT | | 10 | |
| 7 | 577 55 81-01 | COVER | | 1 | |
| 8 | 578 13 90-01 | BRACKET | | 1 | |
| 9 | 578 13 92-01 | ABSORBER | RXT, RK | 2 | |
| 9 | 585 17 76-01 | SPACER | RX | 2 | |
| 10 | 578 24 77-01 | HANDLEBAR BRACKET | | 1 | |
| 11 | 577 55 80-01 | COVER | | 1 | |
| 12 | 525 82 50-01 | SCREW ITXSCM | | 2 | |
| 13 | 577 55 75-01 | WEAR PROTECTION | | 1 | |
| 14 | 577 55 76-01 | WEAR PROTECTION | | 1 | |
| 15 | 584 97 79-01 | TUBE | RXT, RX | 1 | |
| 16 | 581 81 51-01 | DRIVE SHAFT | RXT, RX | 1 | |
| 17 | 537 13 04-02 | KNOB | RXT, RK | 1 | |
| 18 | 578 24 78-01 | LOOP | RXT, RK | 1 | |
| 19 | 577 55 77-01 | CLAMP | RXT, RK | 1 | 18 |
| 20 | 537 35 01-01 | LOOP | RXT, RK | 1 | 18 |
| 21 | 577 55 78-01 | CLAMP | RXT, RK | 1 | 18 |
| 22 | 725 23 39-51 | SCREW EHHM | RXT, RK | 1 | |
| 23 | 578 13 91-01 | BRACKET | | 1 | |
| 24 | 525 75 51-01 | SCREW ITXSFCM | RX | 1 | |
| 25 | 503 94 10-01 | HOOK | RX | 1 | |
| 26 | 731 23 14-01 | HEXAGON NUT | RX | 1 | |
| 27 | 502 21 12-01 | STAPLE | RX | 1 | |
| 28 | 587 11 19-07 | LABEL | | 1 | |

J2 525 LK, RJX, RXT, RX, RK
STARTER



STARTER

525 RK

| Ref | Part No | Description | Remark | QTY | KIT |
|-----|--------------|----------------|--------|-----|-----|
| 1 | 581 14 65-01 | STARTER PULLEY | | 1 | |
| 2 | 521 60 04-01 | E-RING | | 2 | 1 |
| 3 | 521 60 03-01 | SPRING | | 2 | 1 |
| 4 | 521 60 02-01 | RATCHET | | 2 | 1 |
| 5 | 577 84 92-01 | STARTER ASSY | | 1 | |
| 6 | 521 60 00-01 | SCREW | | 1 | 5 |
| 7 | 576 40 12-01 | PULLEY | | 1 | 5 |
| 8 | 577 13 41-01 | SPRING | | 1 | 5 |
| 9 | 577 84 87-01 | ROPE | | 1 | 5 |
| 10 | 577 84 88-01 | REEL | | 1 | 5 |
| 11 | 504 11 50-01 | SPRING.SPIRAL | | 1 | 5 |
| 12 | 575 48 95-01 | STARTER HANDLE | | 1 | 5 |
| 13 | 577 81 54-01 | BOLT | | 3 | |
| 14 | 579 36 96-01 | DECAL | | 1 | |

THROTTLE CONTROLS

525 RK

| Ref | Part No | Description | Remark | QTY | KIT |
|-----|--------------|----------------------|-------------|-----|-----|
| 1 | 537 42 45-13 | HANDLE SYSTEM | | 1 | |
| 2 | 578 24 81-01 | WIRING | RXT, RK | 1 | |
| 3 | 503 22 10-13 | HEXAGON NUT | | 1 | 1 |
| 4 | 537 16 02-09 | HANDLE HALF | RXT, RK, RS | 1 | 1 |
| 5 | 537 41 90-01 | SWITCH | | 1 | 1 |
| 6 | 537 17 42-01 | SPRING THROTTLE TRIG | | 1 | 1 |
| 7 | 506 49 77-01 | THROTTLE CONTROL | | 1 | 1 |
| 8 | 537 16 07-03 | STARTER THROTTLE LOC | | 1 | 1 |
| 9 | 537 17 43-01 | SPRING | | 1 | 1 |
| 10 | 537 16 03-02 | HANDLE HALF | RXT, RK, RS | 1 | 1 |
| 11 | 574 44 40-01 | SCREW ITXSCT | | 2 | 2 |
| 12 | 525 75 51-09 | SCREW ITXSCFM | M5X35 | 1 | 1 |
| 13 | 578 24 82-01 | HANDLEBAR | RXT, RK | 1 | |
| 14 | 731 23 14-01 | HEXAGON NUT | | 1 | 13 |
| 15 | 537 17 28-01 | HANDLE | RXT, RK, RS | 1 | 13 |
| 16 | 525 75 52-04 | SCREW ITXSCFM | | 1 | 13 |
| 17 | 537 17 29-01 | COVER | | 1 | 13 |
| 18 | 537 36 00-01 | HANDLEBAR | RXT, RK, RX | 1 | 13 |
| 19 | 544 02 09-01 | CLIP | RXT, RK, RX | 1 | 13 |
| 20 | 502 21 12-01 | STAPLE | RS | 1 | 13 |
| 21 | 503 21 66-18 | SCREW IHSCT | | 1 | 2 |
| 22 | 580 62 24-01 | SHORT CIRCUIT CABLE | RXT, RK | 1 | 2 |
| 23 | 580 47 09-01 | THROTTLE CABLE | | 1 | 2 |