

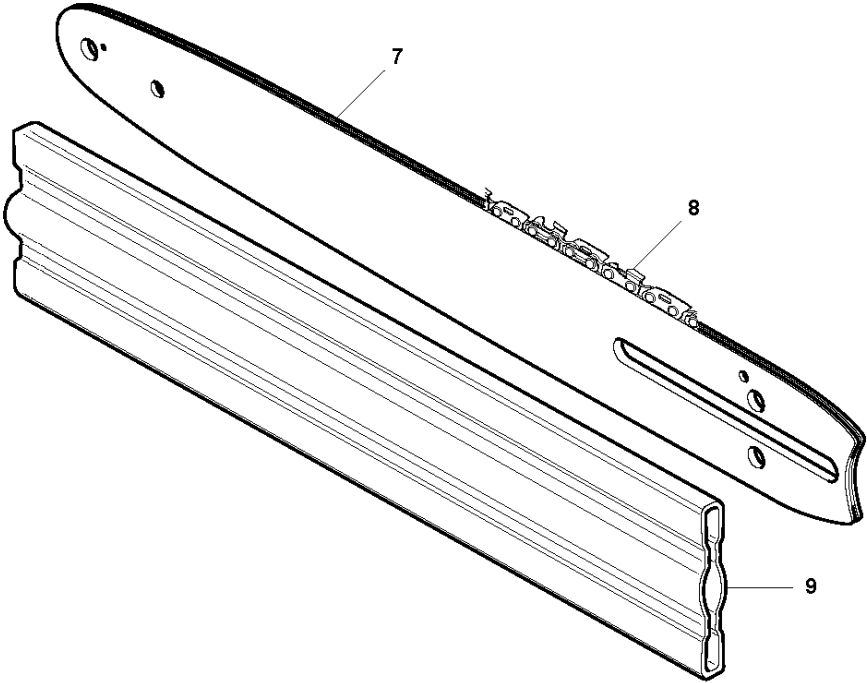
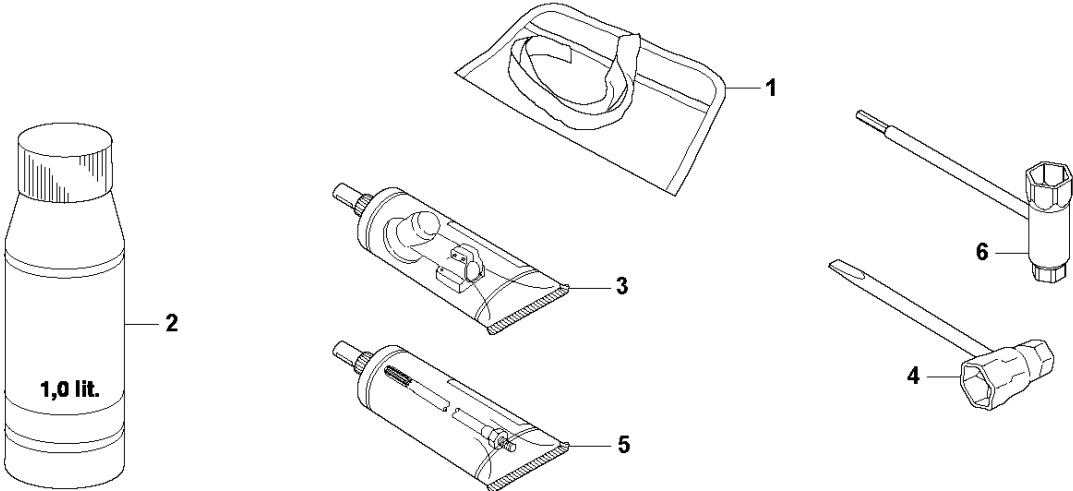


SPARE PARTS LIST

BRUSHCUTTERS/CLEARING SAWS

535 FBX

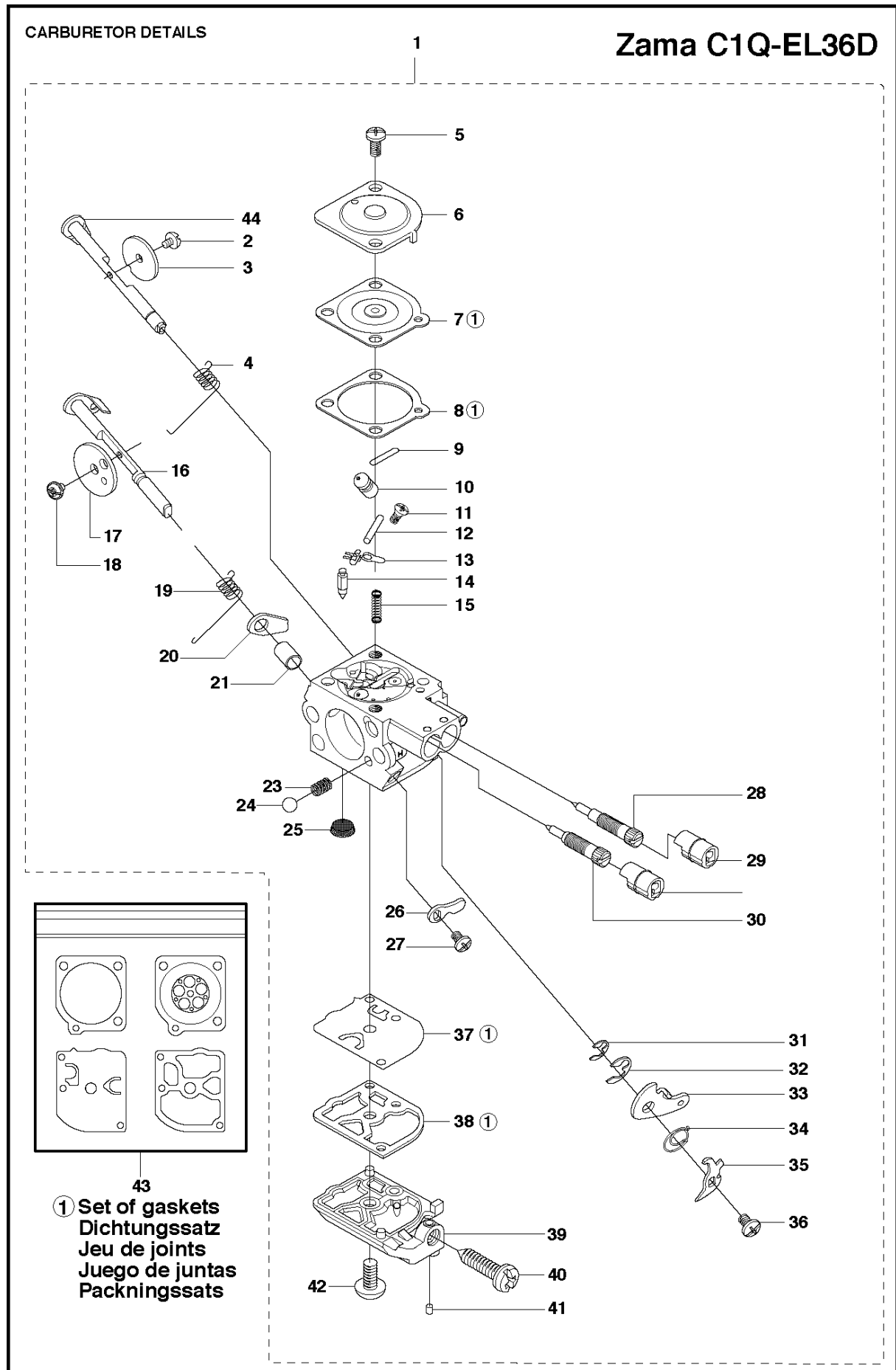
T 535FBX
ACCESSORIES



ACCESSORIES

535 FBX

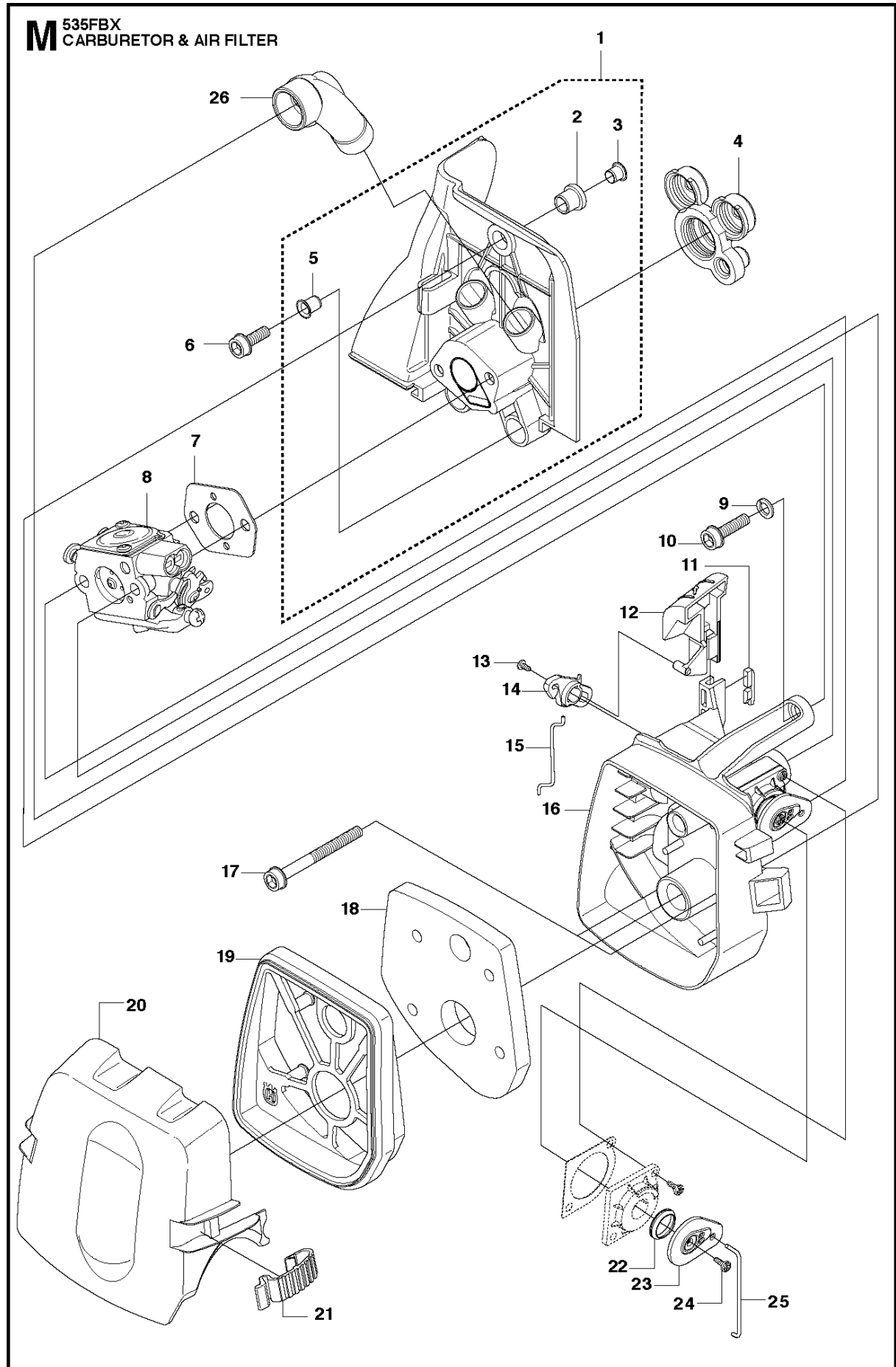
| Ref | Part No | Description | Remark | QTY KIT |
|-----|--------------|--------------------|--------------------|---------|
| 1 | 501 19 22-01 | TOOL | | 1 |
| 2 | 531 00 92-48 | FILTER OIL | Oil Airfilter | 1 |
| 3 | 503 97 64-01 | GREASE | | 1 |
| 4 | 501 69 17-01 | COMBINATION WRENCH | | 1 |
| 5 | 503 80 17-01 | GREASE | | 1 |
| 6 | 537 36 21-01 | COMBINATION WRENCH | | 1 |
| 7 | 578 40 01-56 | BAR | 13" 325 1,3mm 56DL | 1 |
| 8 | 501 84 06-56 | SAW CHAIN | 325 1,3mm 56DL H30 | 1 |
| 9 | 537 12 99-01 | BAR GUARD | | 1 |



CARBURETOR

535 FBX

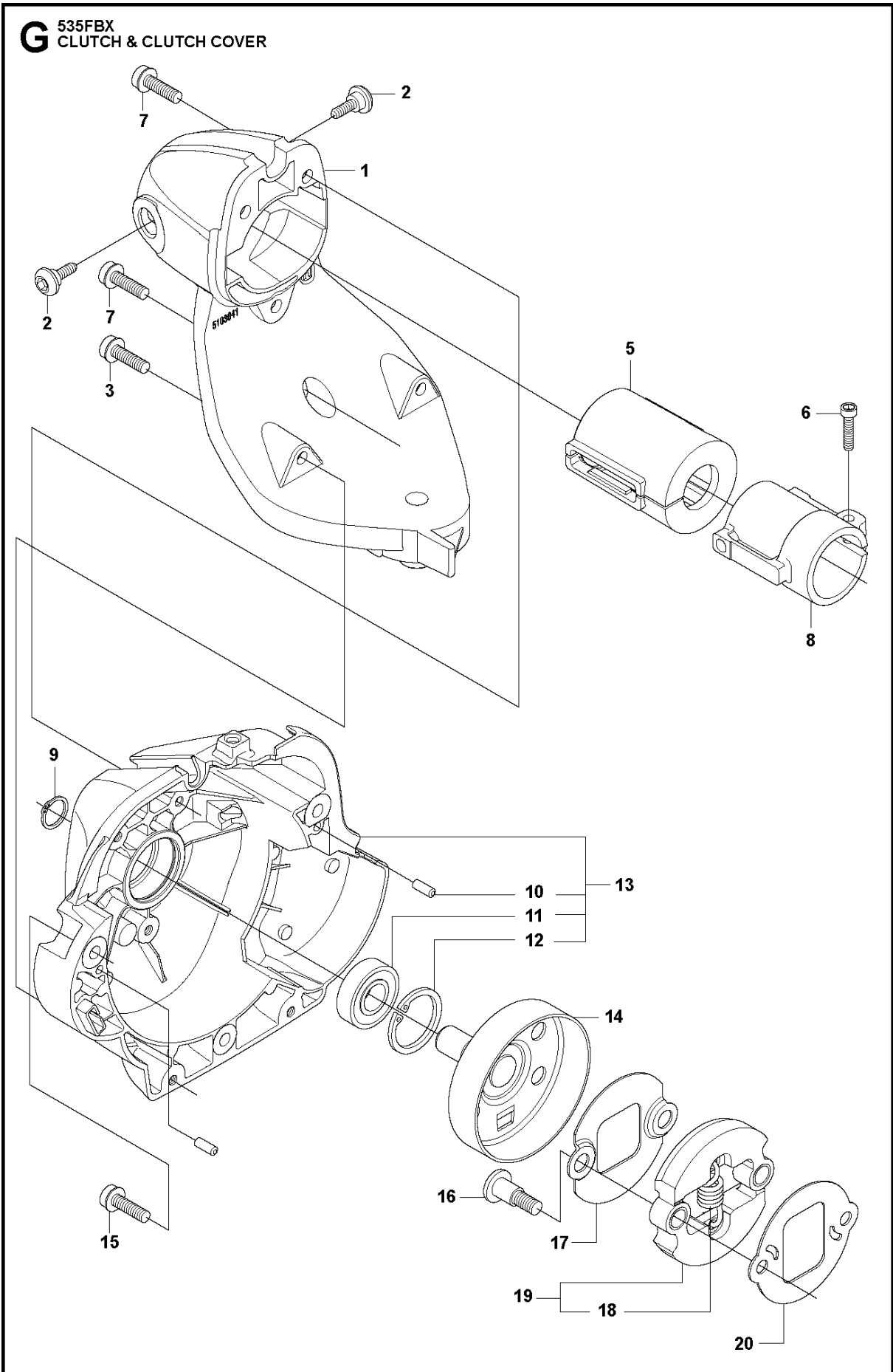
| Ref | Part No | Description | Remark | QTY | KIT |
|-----|--------------|---------------------|--------|-----|-------|
| 1 | 581 16 75-01 | CARBURETTOR | | 1 | |
| 2 | 503 47 92-01 | SCREW | | 1 | 1 |
| 3 | 537 41 72-01 | VALVE | | 1 | 1 |
| 4 | 544 37 24-01 | SPRING | | 1 | 1 |
| 5 | 503 48 05-01 | SCREW | | 2 | 1 |
| 6 | 503 97 43-01 | COVER | | 1 | 1 |
| 7 | 537 04 89-01 | DIAPHRAGM | | 1 | 1, 43 |
| 8 | 537 02 04-01 | GASKET | | 1 | 1, 43 |
| 9 | 503 53 56-01 | PLUG WELCH | | 1 | 1 |
| 10 | 581 89 95-01 | MAIN NOZZLE | | 1 | 1 |
| 11 | 503 48 01-01 | SCREW | | 1 | 1 |
| 12 | 503 48 00-01 | PIN RETAINING SCREW | | 1 | 1 |
| 13 | 503 66 59-01 | LEVER | | 1 | 1 |
| 14 | 503 47 97-01 | VALVE | | 1 | 1 |
| 15 | 503 47 81-01 | SPRING | | 1 | 1 |
| 16 | 544 37 22-01 | SHAFT ASSY | | 1 | 1 |
| 17 | 537 37 03-01 | VALVE | | 1 | 1 |
| 18 | 503 48 18-01 | SCREW | | 1 | 1 |
| 19 | 544 37 26-01 | SPRING | | 1 | 1 |
| 20 | 544 37 25-01 | LEVER | | 1 | 1 |
| 21 | 544 42 70-01 | COLLAR | | 1 | 1 |
| 23 | 537 01 26-01 | SPRING | | 1 | 1 |
| 24 | 537 01 25-01 | BALL | | 1 | 1 |
| 25 | 503 48 13-01 | STRAINER | | 1 | 1 |
| 26 | 544 37 23-01 | LEVER | | 1 | 1 |
| 27 | 503 47 90-01 | SCREW | | 1 | 1 |
| 28 | 537 41 69-01 | SCREW | | 1 | 1 |
| 29 | 537 41 70-01 | LIMITER CAP | | 2 | 1 |
| 30 | 581 89 93-01 | SCREW | | 1 | 1 |
| 31 | 537 38 52-01 | CLIP | | 1 | 1 |
| 32 | 537 38 50-01 | CLIP | | 1 | 1 |
| 33 | 537 41 73-01 | LEVER | | 1 | 1 |
| 34 | 576 74 66-01 | SPRING | | 1 | 1 |
| 35 | 537 41 74-01 | LEVER | | 1 | 1 |
| 36 | 502 07 84-01 | SCREW | | 1 | 1 |
| 37 | 537 02 00-01 | DIAPHRAGM PUMP | | 1 | 1, 43 |
| 38 | 537 02 01-01 | GASKET | | 1 | 1, 43 |
| 39 | 537 41 68-01 | COVER | | 1 | 1 |
| 40 | 537 02 07-01 | SCREW | | 1 | 1 |
| 41 | 503 48 11-01 | PIECE | | 1 | 1 |
| 42 | 503 47 96-01 | SCREW | | 1 | 1 |
| 43 | 531 00 45-52 | GASKET KIT | | 1 | |
| 44 | 544 37 21-01 | SHAFT ASSY | | 1 | 1 |



CARBURETOR & AIR FILTER

535 FBX

| Ref | Part No | Description | Remark | QTY | KIT |
|-----|--------------|------------------|---------------|-----|-----|
| 1 | 575 37 32-01 | INSULATION WALL | | 1 | |
| 2 | 537 37 11-01 | SLEEVE | | 1 | 1 |
| 3 | 544 01 91-01 | TUBULAR RIVET | | 1 | 1 |
| 4 | 537 33 43-01 | INLET PIPE | | 1 | |
| 5 | 537 37 38-03 | TUBULAR RIVET | | 2 | 1 |
| 6 | 503 20 03-16 | SCREW IHSCFM | | 2 | |
| 7 | 503 49 71-01 | GASKET | | 1 | |
| 8 | 581 16 75-01 | CARBURETTOR | ZAMA C1Q-EL36 | 1 | |
| 9 | 503 23 10-06 | WASHER | | 1 | |
| 10 | 503 20 03-20 | SCREW IHSCFM | | 1 | |
| 11 | 544 02 58-01 | BAR | | 1 | |
| 12 | 537 33 71-01 | CHOKE CONTROL | | 1 | |
| 13 | 503 21 29-06 | SCREW CCRPANT | | 1 | |
| 14 | 537 35 58-01 | LEVER | | 1 | |
| 15 | 544 37 27-01 | SLEEVING BRACKET | | 1 | |
| 16 | 537 31 41-01 | FILTER HOLDER | | 1 | |
| 17 | 503 21 75-50 | SCREW IHSCFT | | 2 | |
| 18 | 537 33 72-01 | FILTER | | 1 | |
| 19 | 537 31 42-01 | FRAME | | 1 | |
| 20 | 537 31 44-01 | FILTER COVER | | 1 | |
| 21 | 537 38 72-01 | SNAP | | 2 | |
| 22 | 544 01 47-01 | BELLOWS | | 1 | |
| 23 | 544 01 46-01 | LEVER | | 1 | |
| 24 | 503 21 29-06 | SCREW CCRPANT | | 1 | |
| 25 | 537 34 90-01 | LEVER | | 1 | |
| 26 | 537 34 13-01 | AIR DUCT | | 1 | |

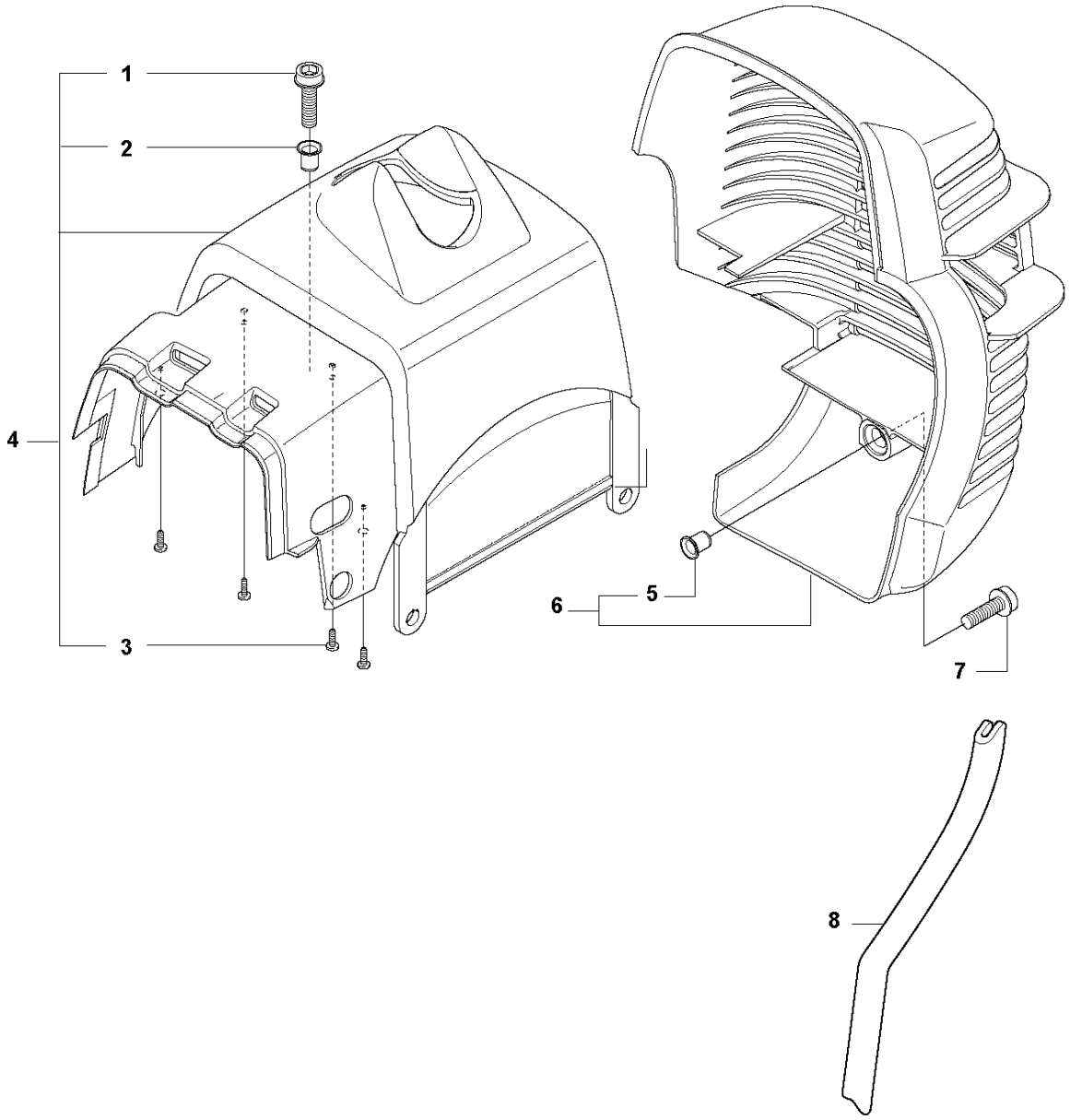


CLUTCH COVER

535 FBX

| Ref | Part No | Description | Remark | QTY | KIT |
|-----|--------------|-----------------------|---|-----|-----|
| 1 | 510 36 41-01 | MOTOR BRACKET | | 1 | |
| 2 | 503 96 13-02 | SCREW | | 2 | |
| 3 | 503 21 74-16 | SCREW IH SCT | s/n up to - 20151500018 (for magnesiuim) | 2 | |
| 3 | 725 53 29-56 | SCREW IHSCM | s/n from 20151500018 (for aluminium) | 2 | |
| 5 | 537 32 27-01 | ANTIVIBRATION ELEMENT | | 1 | |
| 6 | 725 53 33-55 | SCREW IHSCM | | 1 | |
| 7 | 503 20 03-20 | SCREW IHSCFM | | 4 | |
| 8 | 537 31 01-03 | COMPRESSION SLEEVE | | 1 | |
| 9 | 735 31 14-00 | CIRCLIP | | 1 | |
| 10 | 503 24 07-02 | PARALLEL PIN | | 2 | 13 |
| 11 | 738 21 01-04 | BALL BEARING | | 1 | 13 |
| 12 | 735 31 28-10 | CIRCLIP | | 1 | 13 |
| 13 | 537 30 29-01 | CLUTCH COVER | s/n up to - 20151500018 (Magnesium) | 1 | |
| 13 | 574 84 29-01 | CLUTCH COVER ASSY | s/n from 20151500019 - (Aluminium) | 1 | |
| 14 | 522 47 14-01 | CLUTCH DRUM ASSY | | 1 | |
| 15 | 503 20 03-20 | SCREW IHSCFM | | 3 | |
| 16 | 537 41 81-01 | SCREW | | 2 | |
| 17 | 537 41 57-01 | WASHER | | 1 | |
| 18 | 537 42 72-01 | SPRING | | 1 | 19 |
| 19 | 537 34 04-01 | CLUTCH | | 1 | |
| 20 | 537 04 68-01 | WASHER | | 1 | |

H 535FBX
COVERS

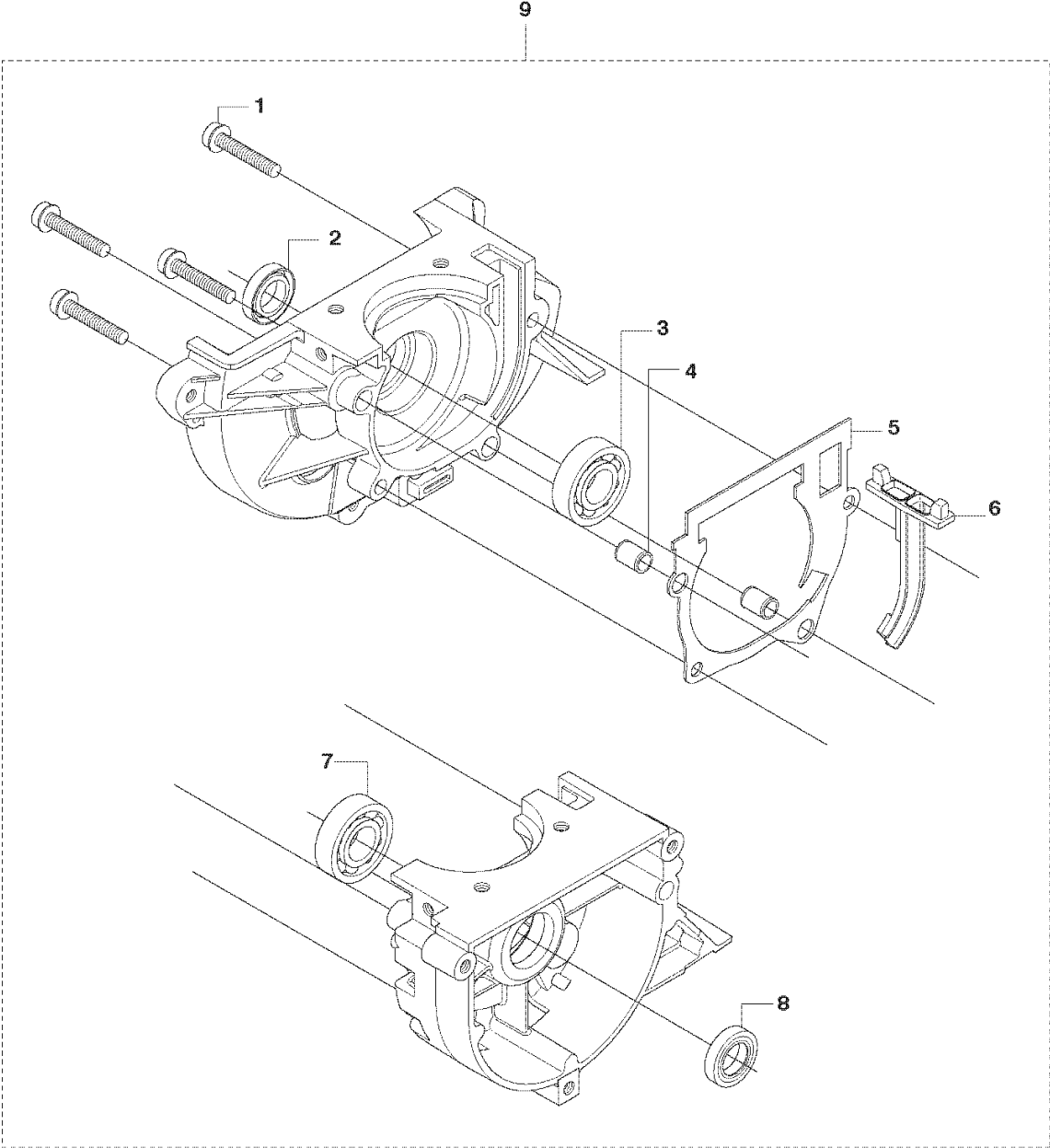


COVER

535 FBX

| Ref | Part No | Description | Remark | QTY | KIT |
|-----|--------------|----------------|--------|-----|-----|
| 1 | 503 20 03-20 | SCREW IHSCFM | | 1 | 4 |
| 2 | 537 37 38-02 | TUBULAR RIVET | | 1 | 4 |
| 3 | 503 21 29-10 | SCREW CCRPANT | | 4 | 4 |
| 4 | 544 16 01-01 | CYLINDER COVER | | 1 | |
| 5 | 537 37 38-03 | TUBULAR RIVET | | 1 | 6 |
| 6 | 537 42 51-01 | HEAT PROTECTOR | | 1 | |
| 7 | 503 20 03-20 | SCREW IHSCFM | | 1 | |
| 8 | 503 21 75-16 | SCREW IHSCFT | | 2 | |
| 9 | 537 39 52-11 | LABEL | | 1 | |

R 535FBX
CRANK CASE

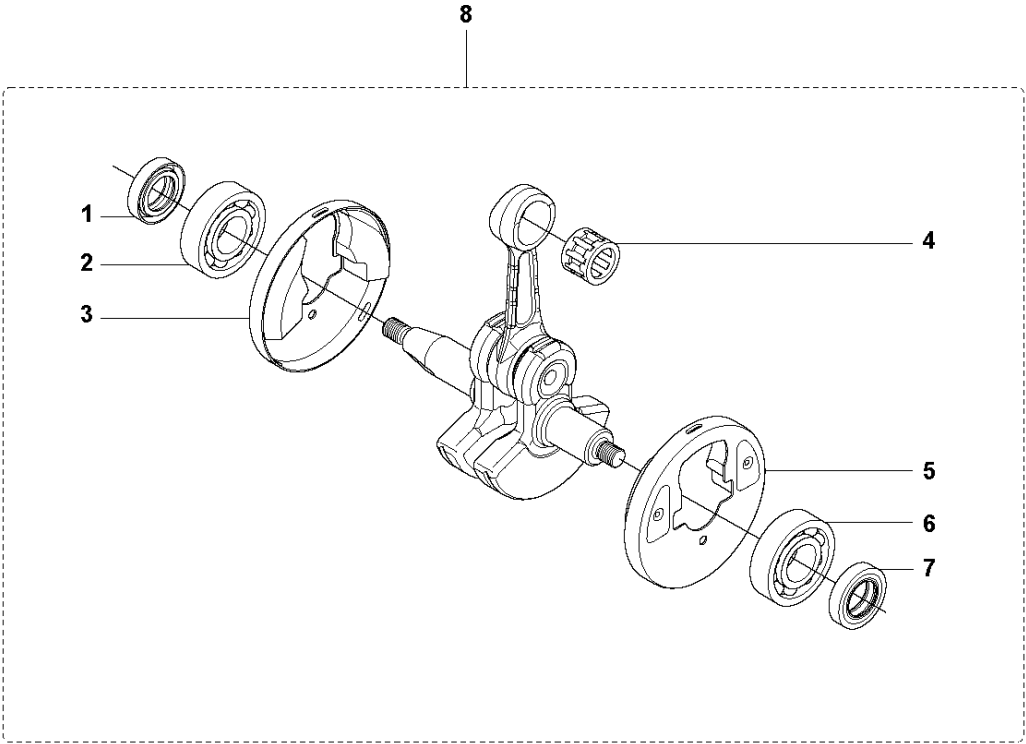


CRANKCASE

535 FBX

| Ref | Part No | Description | Remark | QTY | KIT |
|-----|--------------|----------------|--|-----|-----|
| 1 | 503 20 02-30 | SCREW IHSCFM | | 4 | 9 |
| 2 | 503 26 02-02 | SEALING RING | | 1 | 9 |
| 3 | 738 21 01-10 | BALL BEARING | | 1 | 9 |
| 4 | 501 27 08-01 | GUIDE BUSHING | | 2 | 9 |
| 5 | 537 33 29-01 | GASKET | | 1 | 9 |
| 6 | 537 32 42-01 | INSERT | | 1 | 9 |
| 7 | 738 21 01-10 | BALL BEARING | | 1 | 9 |
| 8 | 503 26 02-02 | SEALING RING | | 1 | 9 |
| 9 | 544 03 89-01 | CRANKCASE ASSY | s/n up to - 20151500018 (Magnesium) | 1 | |
| 9 | 585 38 22-01 | CRANKCASE ASSY | s/n from 20151500019 - (Aluminium) | 1 | |

Q 535FBX
CRANK SHAFT

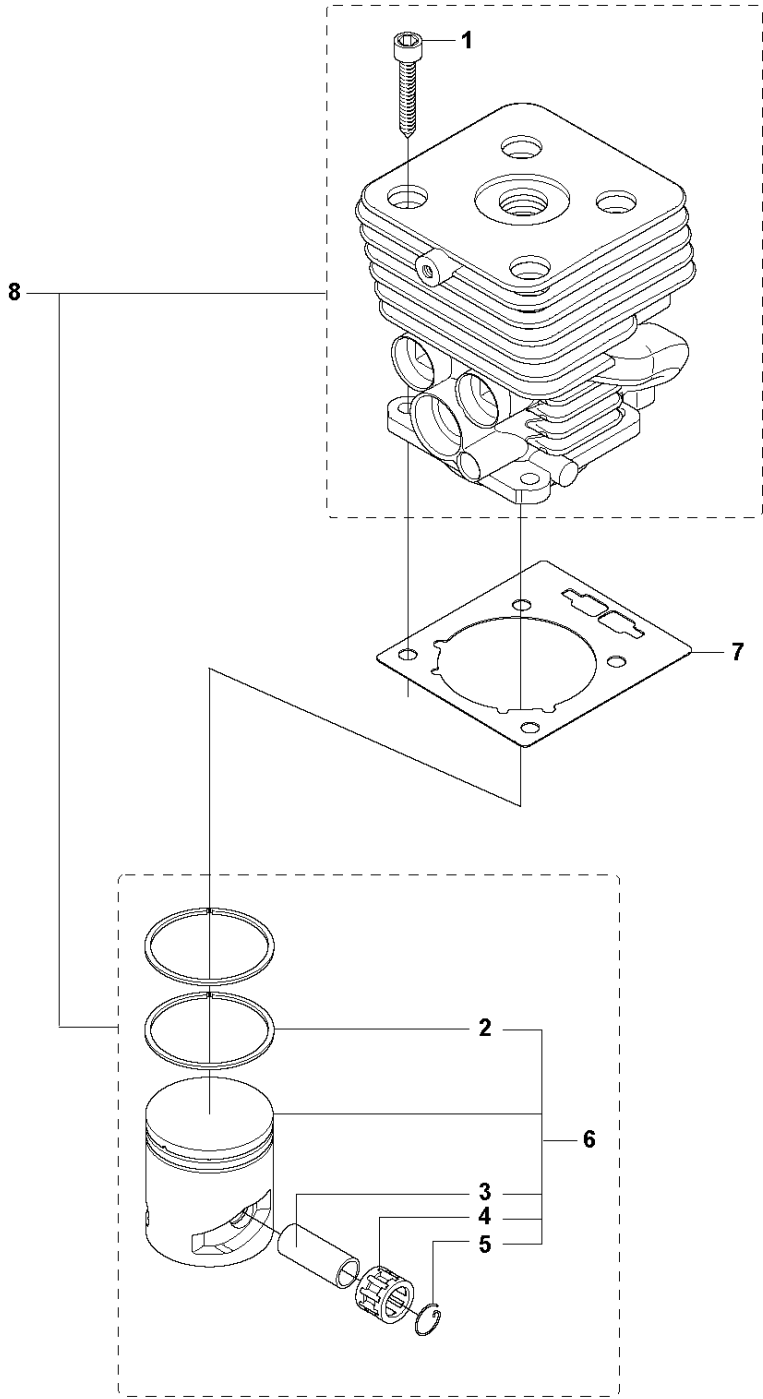


CRANKSHAFT

535 FBX

| Ref | Part No | Description | Remark | QTY | KIT |
|-----|--------------|-----------------|--------|-----|-----|
| 1 | 503 26 02-02 | SEALING RING | | 1 | 8 |
| 2 | 738 21 01-10 | BALL BEARING | | 1 | 8 |
| 3 | 537 29 76-01 | CUP | | 1 | 8 |
| 4 | 503 41 41-01 | NEEDLE BEARING | | 1 | 8 |
| 5 | 537 29 76-01 | CUP | | 1 | 8 |
| 6 | 738 21 01-10 | BALL BEARING | | 1 | 8 |
| 7 | 503 26 02-02 | SEALING RING | | 1 | 8 |
| 8 | 544 03 90-01 | CRANKSHAFT ASSY | | 1 | |

P 535FBX
CYLINDER PISTON

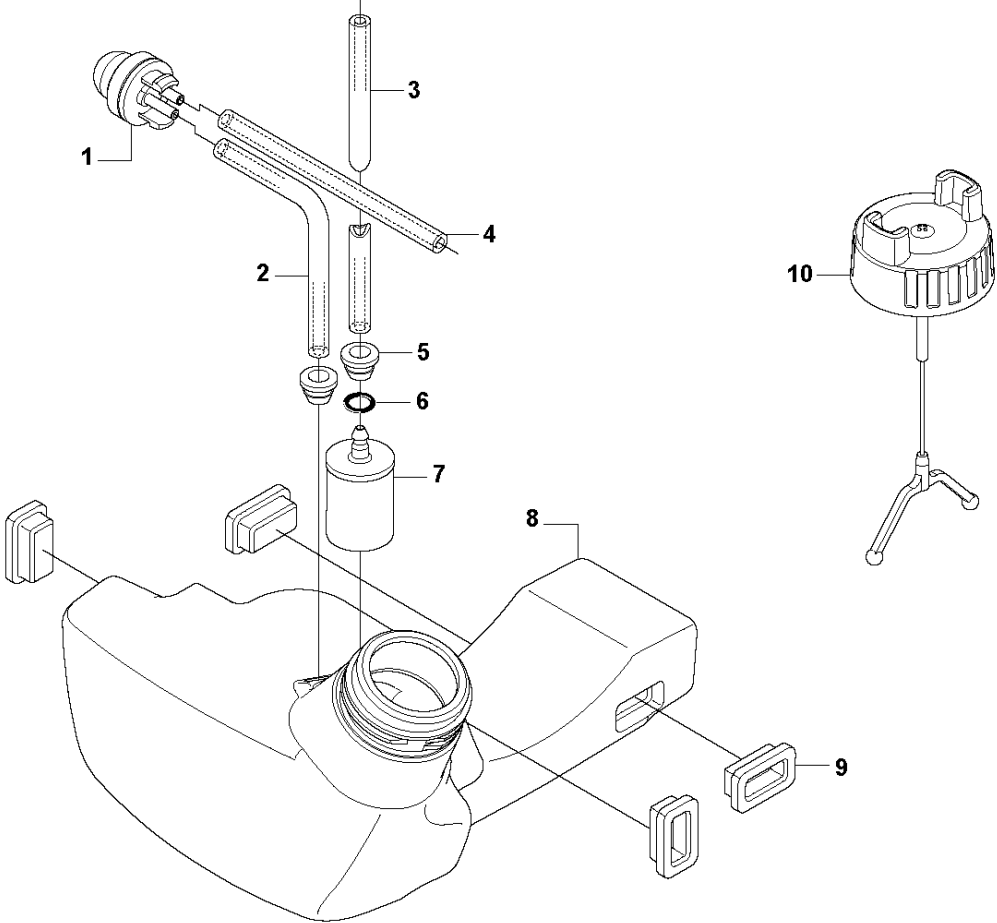


CYLINDER PISTON

535 FBX

| Ref | Part No | Description | Remark | QTY | KIT |
|-----|--------------|----------------|------------------------|-----|-----|
| 1 | 503 20 08-23 | SCREW IHSCM | | 4 | 8 |
| 2 | 503 28 90-54 | PISTON RING | | 2 | 6,8 |
| 3 | 503 28 91-19 | PISTON PIN | | 1 | 6,8 |
| 4 | 503 41 41-01 | NEEDLE BEARING | | 1 | 6,8 |
| 5 | 737 44 10-00 | SNAP RING | | 2 | 6,8 |
| 6 | 585 99 83-02 | PISTON ASSY | | 1 | 8 |
| 7 | 537 33 30-01 | GASKET | | 1 | |
| 8 | 544 40 06-01 | CYLINDER ASSY | Ø = 38mm. 574 36 43-01 | 1 | |

L 535FBX
FUEL TANK

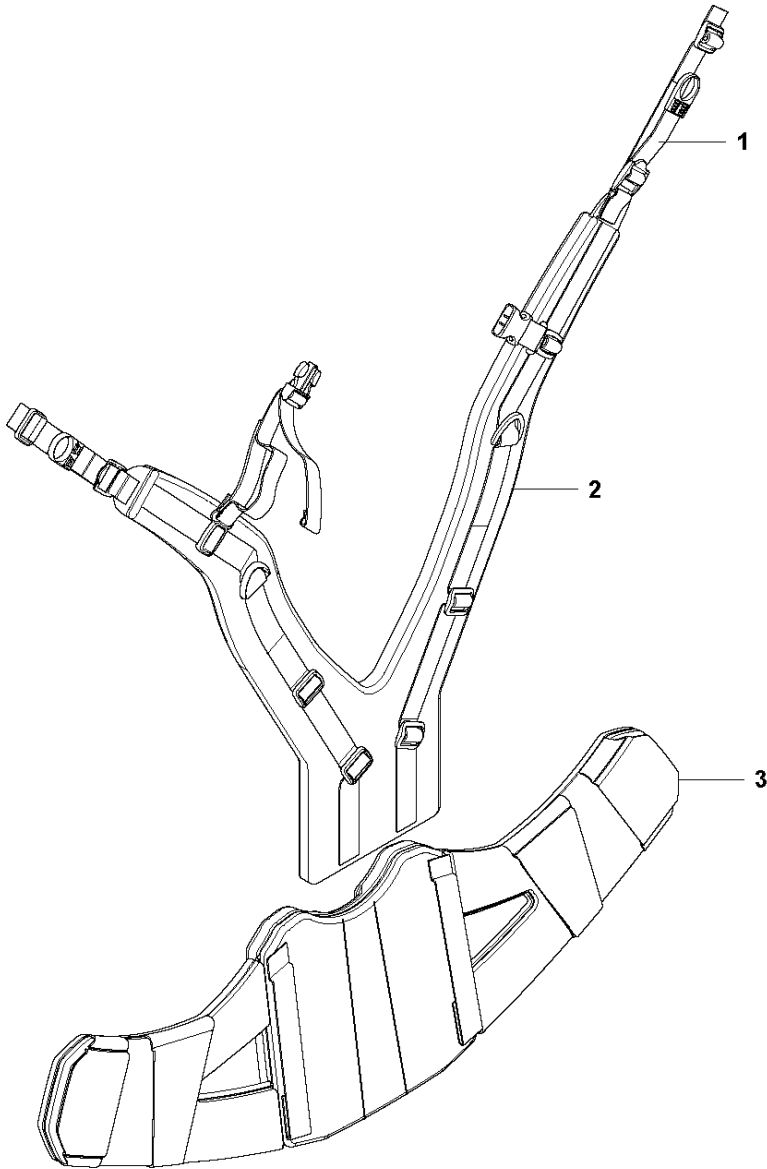


FUEL TANK

535 FBX

| Ref | Part No | Description | Remark | QTY KIT |
|-----|--------------|----------------|--------|---------|
| 1 | 503 93 66-01 | PRIMER HOUSING | | 1 |
| 2 | 537 04 24-12 | FUEL HOSE | | 1 |
| 3 | 537 05 23-01 | FUEL HOSE | | 1 |
| 4 | 537 04 24-12 | FUEL HOSE | | 1 |
| 5 | 503 73 58-01 | BUSHING | | 2 |
| 6 | 537 18 49-01 | O-RING | | 1 |
| 7 | 503 44 32-01 | FILTER | | 1 |
| 8 | 544 32 88-01 | TANK ASSY | | 1 |
| 9 | 503 91 10-01 | SUSPENSION | | 4 |
| 10 | 503 91 18-02 | TANK CAP | | 1 |

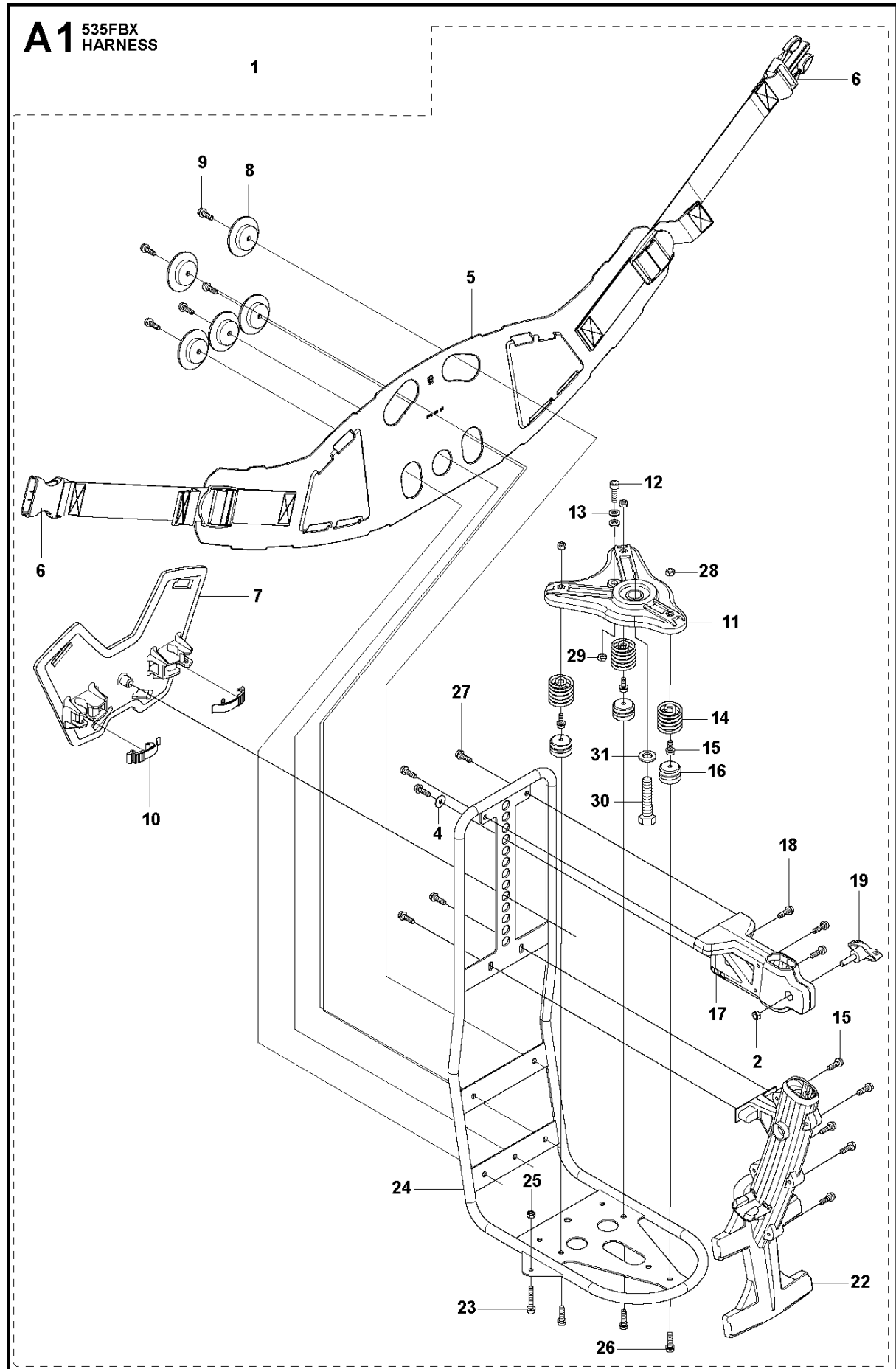
A2 535FBX
HARNESS



HARNESS

535 FBX

| Ref | Part No | Description | Remark | QTY KIT |
|-----|--------------|----------------|--------|---------|
| 1 | 503 99 61-08 | BAND | | 1 |
| 2 | 522 92 07-01 | SHOULDER STRAP | | 1 |
| 3 | 510 36 42-01 | WAIST-BELT | | 1 |

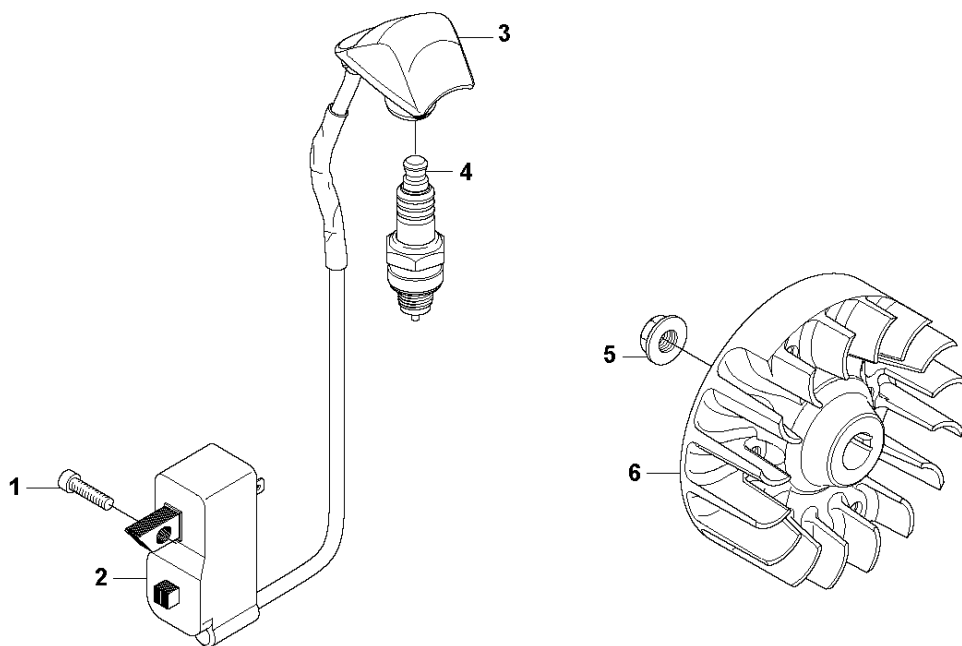


HARNESS

535 FBX

| Ref | Part No | Description | Remark | QTY | KIT |
|-----|--------------|---------------------|--------|-----|-----|
| 1 | 521 99 18-01 | HARNESS ASSY | | 1 | |
| 2 | 731 23 16-01 | HEXAGON NUT | | 1 | 1 |
| 4 | 734 11 47-41 | WASHER | | 1 | 1 |
| 5 | 522 48 74-01 | WAIST-BELT | | 1 | 1 |
| 6 | 537 33 15-01 | HARNESS | | 1 | 1 |
| 7 | 521 99 14-01 | SHOULDER STRAP | | 1 | 1 |
| 8 | 521 88 77-01 | GROMMET | | 5 | 1 |
| 9 | 503 21 75-72 | SCREW IHSCFT | | 5 | 1 |
| 10 | 503 74 01-02 | SNAP | | 2 | 1 |
| 11 | 522 48 39-01 | HOLDER ASSY | | 1 | 1 |
| 12 | 725 53 70-06 | SCREW IHSCM | | 1 | 1 |
| 13 | 731 23 16-01 | HEXAGON NUT | | 1 | 1 |
| 14 | 522 02 88-01 | SPRING | | 3 | 1 |
| 15 | 503 21 75-72 | SCREW IHSCFT | | 5 | 1 |
| 16 | 521 91 03-01 | SPRING HOLDER | | 3 | 1 |
| 17 | 522 98 33-01 | BAR BRACKET | | 1 | 1 |
| 18 | 503 21 07-16 | SCREW IHSCFT | | 3 | 1 |
| 19 | 503 87 90-01 | KNOB | | 1 | 1 |
| 20 | 725 23 76-51 | SCREW EHHM | | 1 | 1 |
| 21 | 503 21 75-72 | SCREW IHSCFT | | 5 | 1 |
| 22 | 522 98 31-01 | BAR BRACKET | | 1 | 1 |
| 23 | 725 53 35-55 | SCREW IHSCM | | 1 | 1 |
| 24 | 510 36 36-01 | FRAME | | 1 | 1 |
| 25 | 732 25 14-01 | HEXAGON LOCKING NUT | | 1 | 1 |
| 26 | 503 21 06-19 | SCREW IHSCFT | | 3 | 1 |
| 27 | 503 21 75-72 | SCREW IHSCFT | | 5 | 1 |
| 28 | 731 23 14-01 | HEXAGON NUT | | 3 | |
| 29 | 731 23 16-01 | HEXAGON NUT | | 1 | |
| 30 | 725 24 93-71 | SCREW EHHM | | 1 | |
| 31 | 734 11 72-01 | WASHER | | 1 | |

N 535FBX
IGNITION & CLUTCH

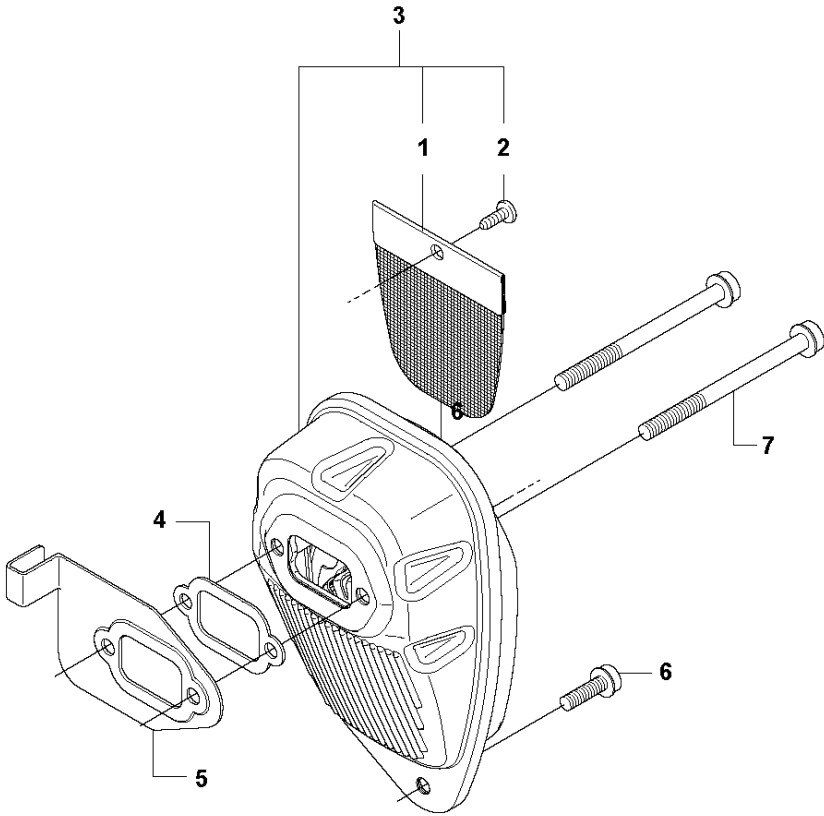


IGNITION SYSTEM & CLUTCH

535 FBX

| Ref | Part No | Description | Remark | QTY KIT |
|-----|--------------|--------------------|--------------------|---------|
| 1 | 503 21 66-18 | SCREW IHSCT | | 2 |
| 2 | 544 12 70-01 | IGNITION MODULE | | 1 |
| 3 | 537 43 43-01 | SPARK PLUG CAP | | 1 |
| 4 | 503 23 51-09 | SPARK PLUG | CH RCJ6Y (Ø=14 mm) | 1 |
| 5 | 731 71 16-51 | HEXAGON NUT FLANGE | | 1 |
| 6 | 537 24 96-01 | FLYWHEEL | | 1 |

J 535FBX
MUFFLER

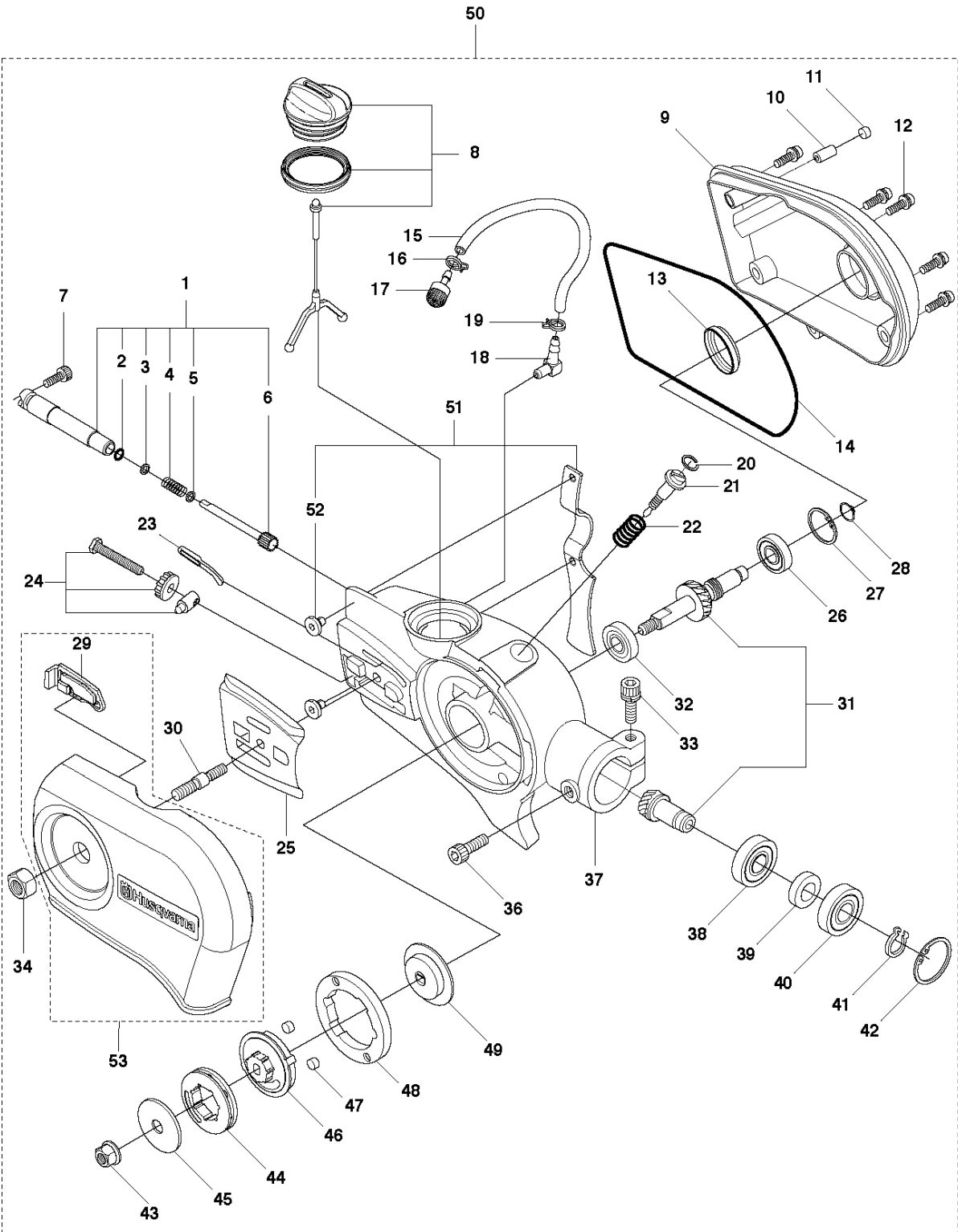


MUFFLER

535 FBX

| Ref | Part No | Description | Remark | QTY | KIT |
|-----|--------------|-----------------------|--------|-----|-----|
| 1 | 544 11 68-01 | SPARK ARRESTER SCREEN | | 1 | 3 |
| 2 | 724 12 87-59 | SCREW CRPANM | | 1 | 3 |
| 3 | 505 40 86-01 | MUFFLER ASSY | CAT | 1 | |
| 4 | 537 33 31-01 | GASKET | | 1 | |
| 5 | 537 34 08-01 | AIR CONDUCTOR | | 1 | |
| 6 | 503 20 03-20 | SCREW IHSCFM | | 1 | |
| 7 | 503 20 29-63 | SCREW IHSCFM | | 2 | |

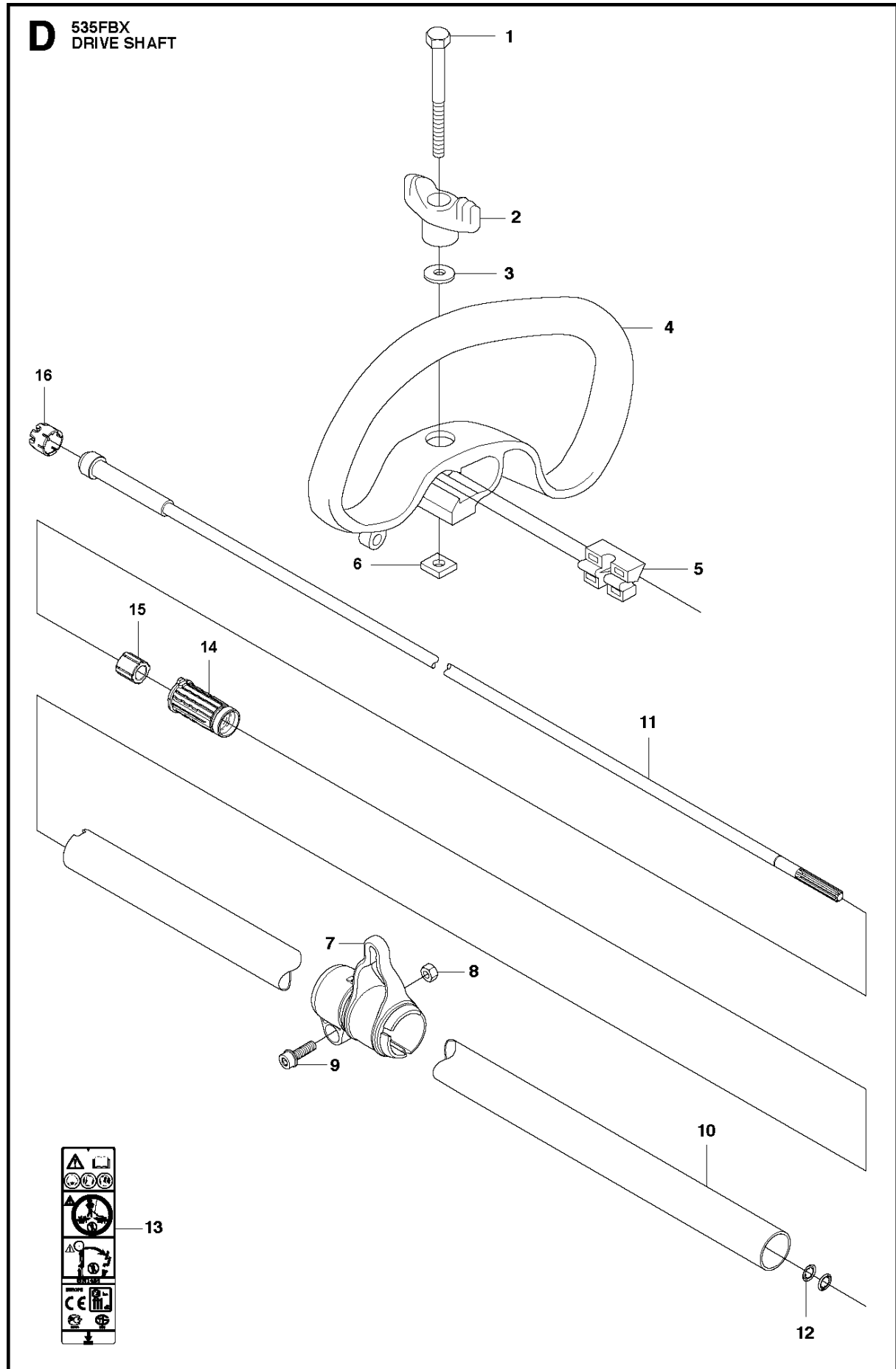
E 535FBX
SAW HEAD



SAW HEAD

535 FBX

| Ref | Part No | Description | Remark | QTY | KIT |
|-----|--------------|--------------------|--------|-----|--------|
| 1 | 537 29 92-01 | OIL PUMP ASSY | | 1 | 50 |
| 2 | 740 42 03-00 | O-RING | | 1 | 50, 1 |
| 3 | 503 23 00-16 | WASHER | | 1 | 50, 1 |
| 4 | 503 18 49-01 | SPRING | | 1 | 50, 1 |
| 5 | 503 23 00-16 | WASHER | | 1 | 50, 1 |
| 6 | 503 80 83-02 | PUMP PISTON | | 1 | 50, 1 |
| 7 | 725 53 27-55 | SCREW IHSCM | | 1 | 50 |
| 8 | 537 28 15-02 | TANK CAP ASSY | | 1 | 50 |
| 9 | 537 22 75-01 | HUB CAP | | 1 | 50 |
| 10 | 537 04 03-01 | VALVE | | 1 | 50 |
| 11 | 503 98 13-01 | PLUG | | 1 | 50 |
| 12 | 725 53 29-55 | SCREW IHSCM | | 5 | 50 |
| 13 | 537 33 01-01 | SEALING | | 1 | 50 |
| 14 | 537 29 10-01 | O-RING | | 1 | 50 |
| 15 | 537 29 11-01 | HOSE | | 1 | 50 |
| 16 | 537 37 15-01 | HOSE CLAMP | | 1 | 50 |
| 17 | 504 71 00-03 | OIL PLUMMET | | 1 | 50 |
| 18 | 504 34 00-04 | FITTING | | 1 | 50 |
| 19 | 537 37 15-01 | HOSE CLAMP | | 1 | 50 |
| 20 | 537 29 09-01 | CIRCLIP | | 1 | 50 |
| 21 | 537 05 68-01 | ADJUSTER | | 1 | 50 |
| 22 | 503 97 82-01 | SPRING | | 1 | 50 |
| 23 | 537 33 17-01 | OIL DUCT | | 1 | 50 |
| 24 | 537 22 82-01 | CHAIN TENSIONER | | 1 | 50 |
| 25 | 537 19 42-01 | CHAIN GUIDE PLATE | | 1 | 50 |
| 26 | 738 21 00-04 | BALL BEARING | | 1 | 50 |
| 27 | 735 31 27-10 | CIRCLIP | | 1 | 50 |
| 28 | 735 31 12-00 | CIRCLIP | | 1 | 50 |
| 29 | 575 55 37-01 | SEALING PLATE | | 1 | 50, 53 |
| 30 | 537 19 44-01 | BAR BOLT | M6-M8 | 1 | |
| 31 | 537 29 90-01 | GEAR WHEEL KIT | | 1 | 50 |
| 30 | 576 29 30-01 | BAR BOLT | M7-M8 | 1 | 50 |
| 32 | 738 21 99-04 | BALL BEARING | | 1 | 50 |
| 33 | 725 53 33-55 | SCREW IHSCM | | 1 | 50 |
| 34 | 731 23 18-01 | HEXAGON NUT | | 1 | 50 |
| 36 | 725 53 27-55 | SCREW IHSCM | | 1 | 50 |
| 37 | 537 22 74-01 | HOUSING | | 1 | 50 |
| 38 | 738 21 99-04 | BALL BEARING | | 1 | 50 |
| 39 | 537 24 77-01 | SPACER | | 1 | 50 |
| 40 | 738 21 99-04 | BALL BEARING | | 1 | 50 |
| 41 | 735 31 11-00 | CIRCLIP | | 1 | 50 |
| 42 | 735 31 25-10 | CIRCLIP | | 1 | 50 |
| 43 | 731 71 16-51 | HEXAGON NUT FLANGE | | 1 | 50 |
| 44 | 505 30 36-72 | RIM | | 1 | 50 |
| 45 | 503 23 00-84 | WASHER | | 1 | 50 |
| 46 | 522 70 48-01 | HUB | | 1 | 50 |
| 47 | 537 27 17-01 | RUBBER BUSHING | | 2 | 50 |
| 48 | 537 27 14-01 | RING | | 1 | 50 |
| 49 | 537 27 16-01 | HUB CAP | | 1 | 50 |
| 50 | 575 12 25-01 | CUTTING EQUIPMENT | | 2 | |
| 51 | 577 98 19-01 | HOOK | | 1 | 50 |
| 52 | 537 22 29-01 | SCREW | | 2 | 50, 51 |
| 53 | 575 54 18-01 | CHAIN GUARD | | 1 | |

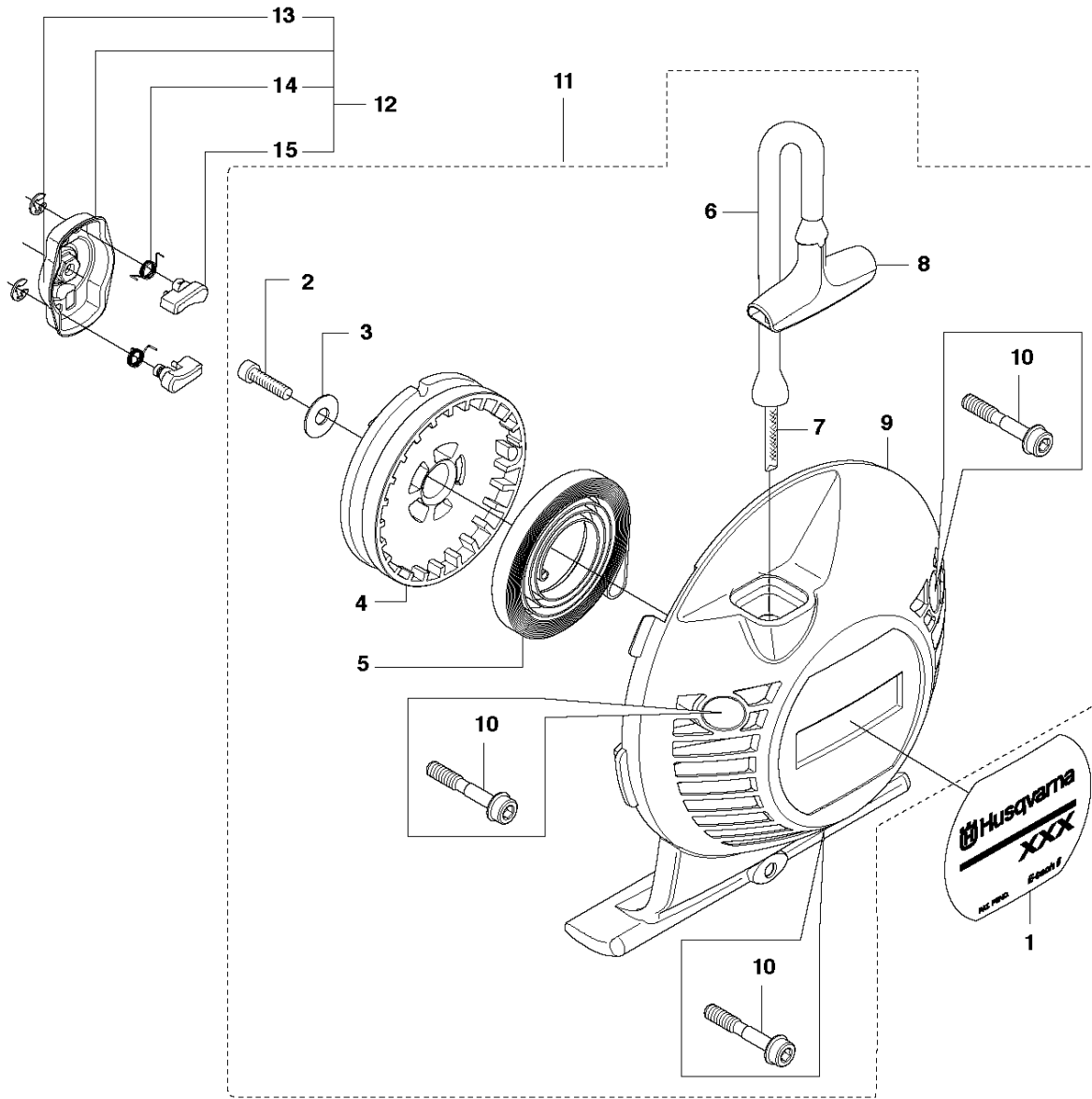


SHAFT

535 FBX

| Ref | Part No | Description | Remark | QTY KIT |
|-----|--------------|--------------------|--------|---------|
| 1 | 725 23 80-51 | SCREW EHHM | | 1 |
| 2 | 503 87 90-01 | KNOB | | 1 |
| 3 | 503 23 00-61 | WASHER | | 1 |
| 4 | 503 87 19-03 | HANDLE | | 1 |
| 5 | 503 94 03-01 | DISTANCE | | 1 |
| 6 | 502 19 71-01 | SQUARE NUT | | 1 |
| 7 | 522 92 08-01 | CORD BRACKET | | 1 |
| 8 | 731 23 14-01 | HEXAGON NUT | | 1 |
| 9 | 503 20 03-03 | SCREW IHSCFM | | 1 |
| 10 | 574 43 78-01 | TUBE | | 1 |
| 11 | 587 41 17-03 | DRIVE SHAFT | | 1 |
| 12 | 735 58 08-10 | LOCKWASHER | | 2 |
| 13 | 587 11 41-01 | LABEL | | 1 |
| 14 | 587 41 46-01 | PLUG | | 1 |
| 15 | 503 78 52-02 | SUPPORTING BEARING | | 1 |
| 16 | 583 93 83-01 | CLIP | | 1 |

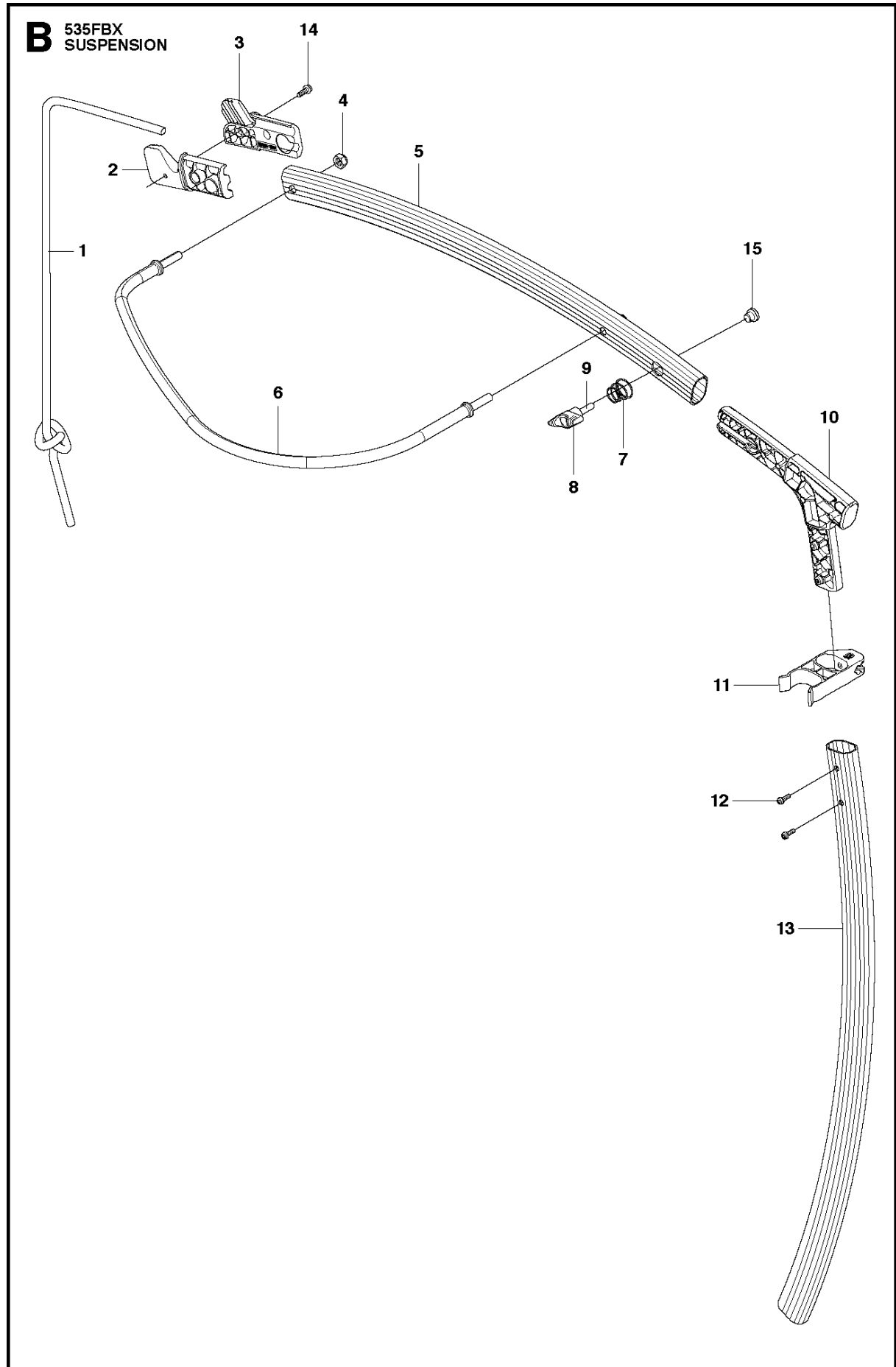
K 535FBX
STARTER



STARTER

535 FBX

| Ref | Part No | Description | Remark | QTY | KIT |
|-----|--------------|----------------|------------------------------------|-----|-------|
| 1 | 577 22 36-01 | DECAL | | 1 | |
| 2 | 503 21 79-20 | SCREW IHST | | 1 | 11 |
| 3 | 535 07 23-01 | WASHER | | 1 | 11 |
| 4 | 537 32 50-02 | STARTER PULLEY | | 1 | 11 |
| 5 | 503 85 99-01 | RECOIL SPRING | | 1 | 11 |
| 6 | 522 87 64-01 | RUBBER CONDUIT | | 1 | |
| 7 | 505 30 51-02 | STARTER CORD | | 1 | 11 |
| 8 | 537 23 25-01 | STARTER HANDLE | | 1 | 11 |
| 9 | 544 10 25-02 | STARTER | Spare part incl. Screws Pos. 10 | 1 | 11 |
| 10 | 573 99 43-05 | SCREW IHSCFMO | Captive screws | 3 | 9, 11 |
| 11 | 537 21 47-07 | STARTER ASSY | | 1 | |
| 12 | 503 87 33-05 | BRIDGE | | 1 | |
| 13 | 735 31 08-20 | E-CLIP | | 2 | 12 |
| 14 | 503 87 36-01 | SPRING | | 1 | 12 |
| 15 | 503 87 35-02 | STARTER PAWL | | 2 | 12 |

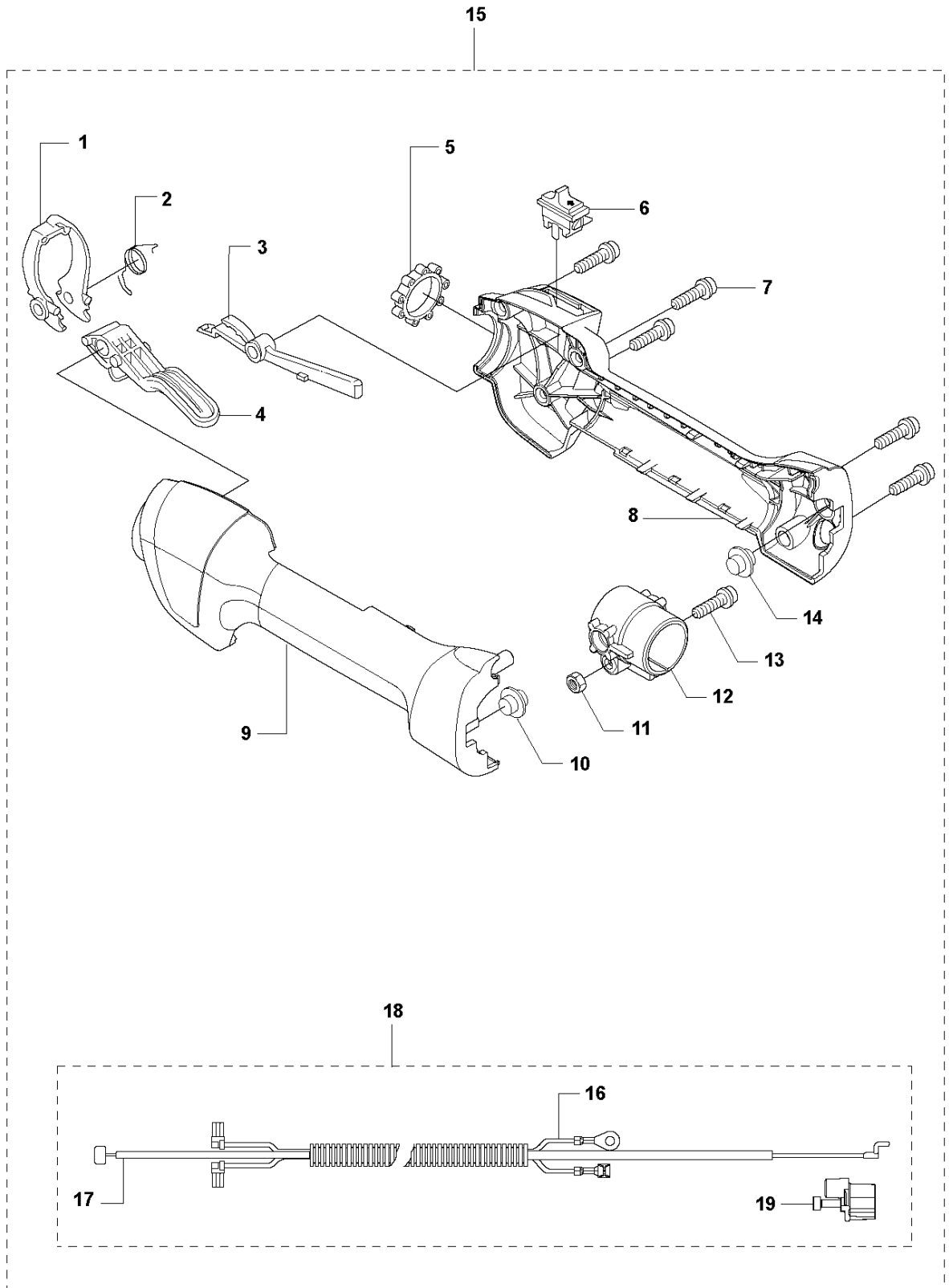


SUSPENSION

535 FBX

| Ref | Part No | Description | Remark | QTY KIT |
|-----|--------------|---------------------|--------|---------|
| 1 | 523 34 69-01 | ELASTIC STRING | | 1 |
| 2 | 577 87 42-01 | CLAMP STRAP | | 1 |
| 3 | 577 87 43-01 | CLAMP STRAP | | 1 |
| 4 | 732 25 18-01 | HEXAGON LOCKING NUT | | 1 |
| 5 | 510 36 19-01 | BAR | | 1 |
| 6 | 522 43 92-01 | PROTECTIVE TUBING | | 1 |
| 7 | 574 44 85-01 | SPRING | | 1 |
| 8 | 503 87 90-01 | KNOB | | 1 |
| 9 | 725 23 74-51 | SCREW EHHM | | 1 |
| 10 | 523 08 57-01 | CONNECTION | | 1 |
| 11 | 523 09 59-01 | BAR | | 1 |
| 12 | 503 21 75-72 | SCREW IHSCFT | | 2 |
| 13 | 523 08 76-01 | BAR | | 1 |
| 14 | 503 21 07-16 | SCREW IHSCFT | | 1 |
| 15 | 525 23 83-01 | RIVET NUT | | 1 |

F 535FBX
THROTTLE CONTROLS

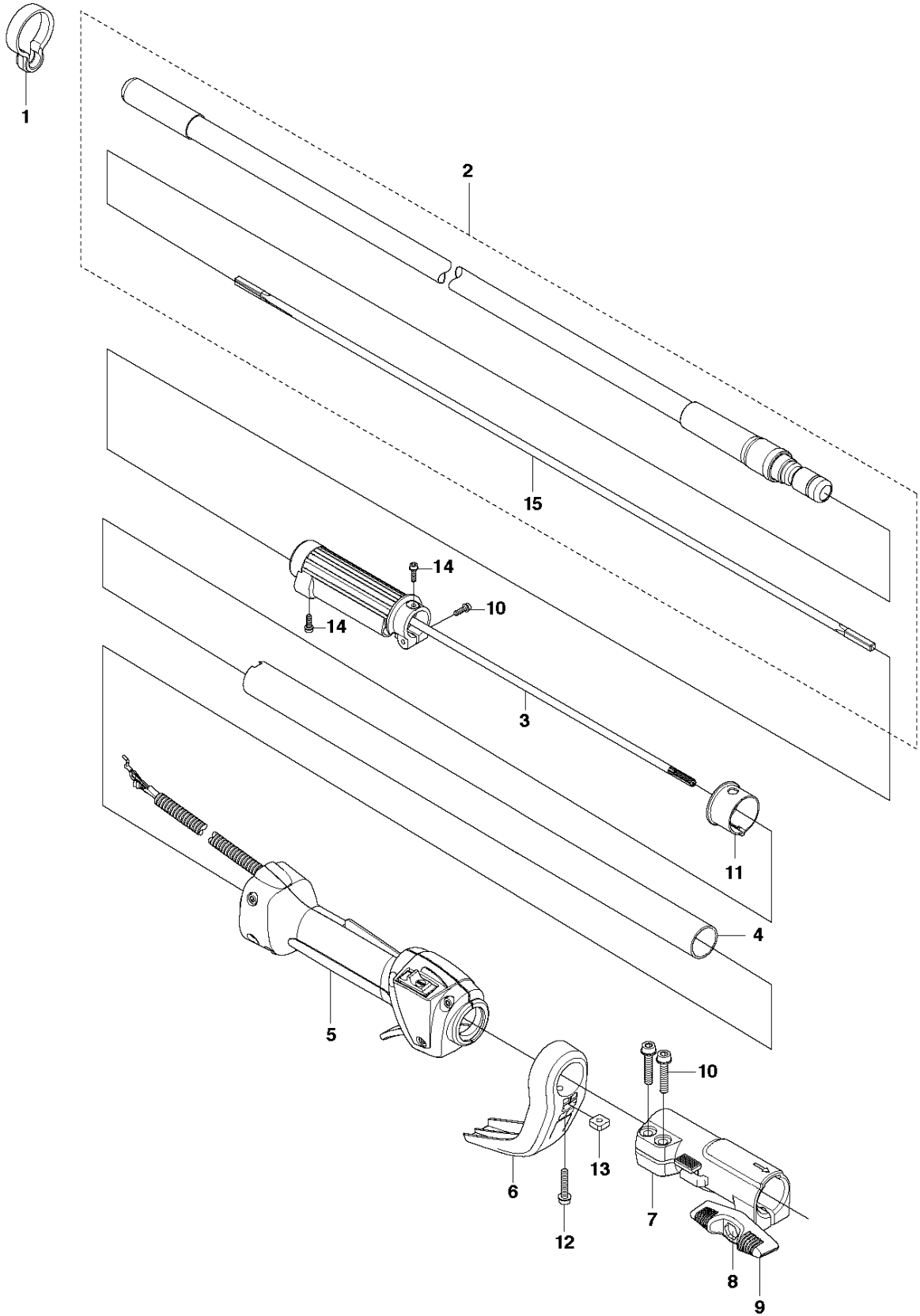


THROTTLE CONTROLS

535 FBX

| Ref | Part No | Description | Remark | QTY | KIT |
|-----|--------------|---------------------|--------|-----|--------|
| 1 | 503 91 81-01 | THROTTLE LEVER | | 1 | 15 |
| 2 | 544 10 08-01 | RECOIL SPRING | | 1 | 15 |
| 3 | 503 87 80-01 | THROTTLE LOCKOUT | | 1 | 15 |
| 4 | 503 87 79-03 | THROTTLE TRIGGER | | 1 | 15 |
| 5 | 503 96 14-01 | ABSORBER | | 1 | 15 |
| 6 | 537 41 90-01 | SWITCH | | 1 | 15 |
| 7 | 503 21 66-18 | SCREW IHSC T | | 5 | 15 |
| 8 | 544 23 84-01 | HANDLE HALF | | 1 | 15 |
| 8 | 544 10 02-02 | HANDLE HALF | | 1 | 15 |
| 9 | 544 23 85-01 | HANDLE HALF | | 1 | 15 |
| 9 | 544 10 03-02 | HANDLE HALF | | 1 | 15 |
| 10 | 544 10 17-02 | DAMPER | | 1 | 15 |
| 11 | 731 23 14-01 | HEXAGON NUT | | 1 | 15 |
| 12 | 544 11 21-01 | RETAINER | | 1 | 15 |
| 13 | 503 20 03-20 | SCREW IHSCFM | | 1 | 15 |
| 14 | 544 10 17-02 | DAMPER | | 1 | 15 |
| 15 | 544 14 36-06 | CONTROL | | 1 | |
| 16 | 503 87 85-08 | SHORT CIRCUIT CABLE | | 1 | 15, 18 |
| 17 | 544 17 17-04 | THROTTLE WIRE ASSY | | 1 | 15, 18 |
| 18 | 544 14 49-02 | WIRING ASSY | | 1 | |
| 19 | 575 35 60-01 | ADJUSTMENT DISC | | 1 | 15, 18 |

C 535FBX
TUBE



| Ref | Part No | Description | Remark | QTY | KIT |
|-----|--------------|------------------|--------|-----|-----|
| 1 | 523 04 85-01 | CLAMP | | 5 | |
| 2 | 522 48 33-01 | SHAFT FLEXIBLE | | 1 | |
| 3 | 575 31 77-01 | DRIVE SHAFT ASSY | | 1 | |
| 4 | 575 24 32-01 | TUBE | | 1 | |
| 5 | 544 14 36-06 | CONTROL | | 1 | |
| 6 | 523 06 26-01 | TRIGGER | | 1 | |
| 7 | 544 36 75-02 | CLAMPING SLEEVE | | 1 | |
| 8 | 725 23 76-51 | SCREW EHHM | | 1 | |
| 9 | 502 20 38-01 | KNOB | | 1 | |
| 10 | 503 20 07-25 | SCREW IHSCFM | | 1 | |
| 11 | 525 85 75-01 | SPACER | | 1 | |
| 12 | 503 20 03-20 | SCREW IHSCFM | | 1 | |
| 13 | 503 22 65-04 | SQUARE NUT | | 1 | |
| 14 | 503 20 06-08 | SCREW IHSCFM | | 2 | |
| 15 | 586 92 82-01 | SHAFT | | 1 | 2 |