

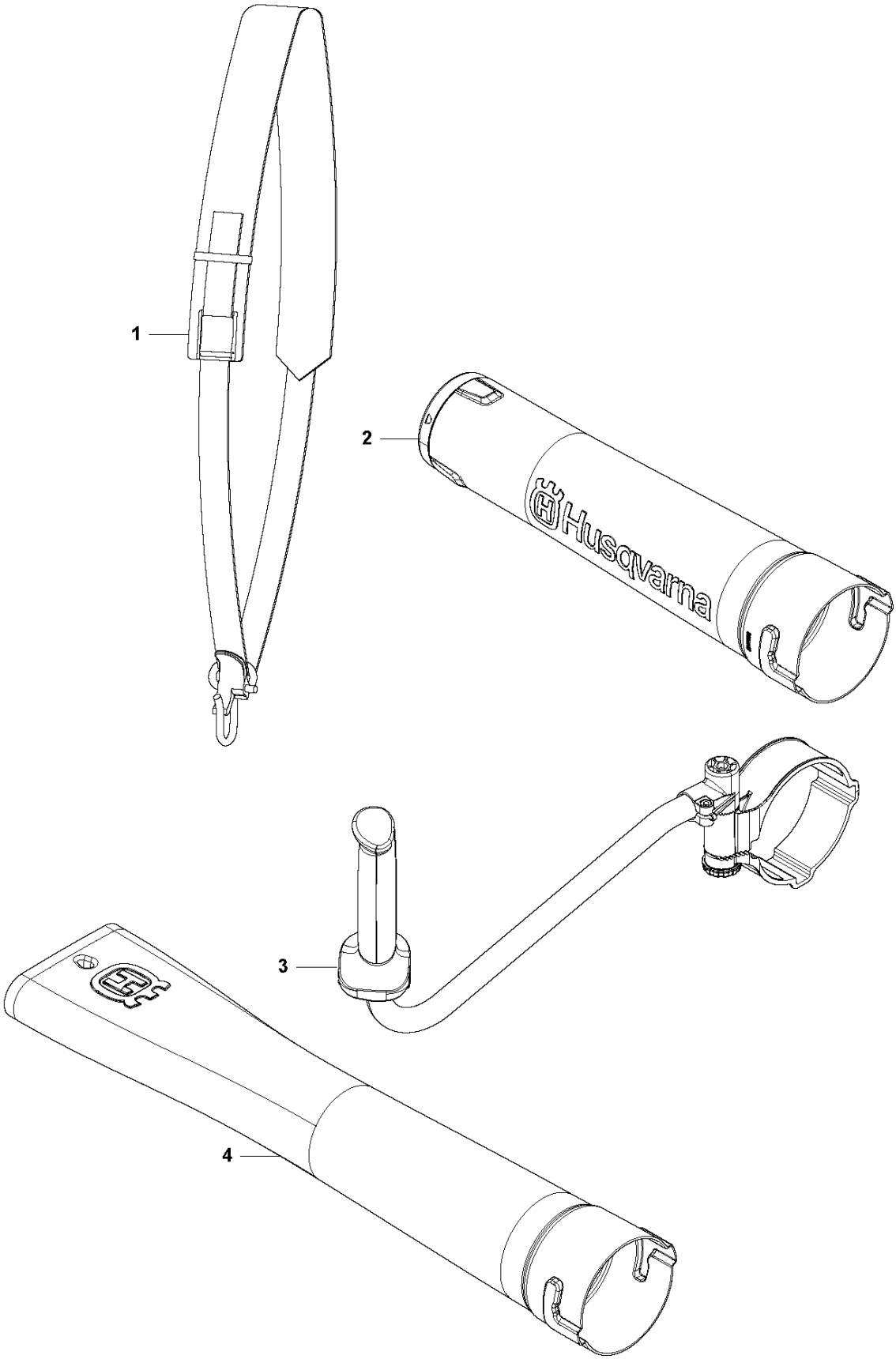


SPARE PARTS LIST

BLOWERS

536LiB

E 436/536 LiB
ACCESSORIES

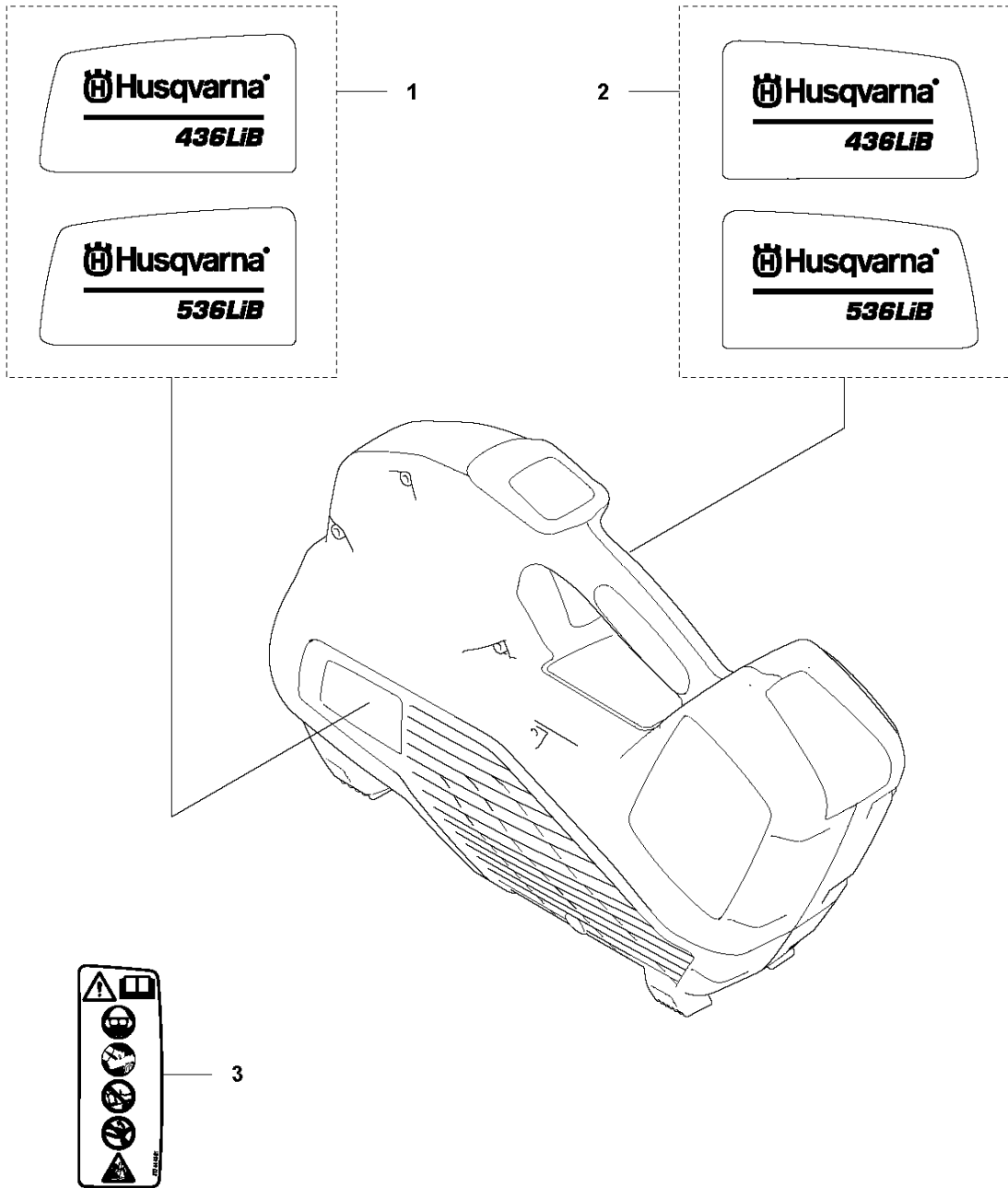


ACCESSORIES

536LiB

| Ref | Part No | Description | Remark | QTY KIT |
|-----|--------------|-------------|----------------|---------|
| 1 | 537 21 62-01 | HARNESS | 536LiB/ 436LiB | 1 |
| 2 | 586 10 63-02 | TUBE ASSY | | 1 |
| 3 | 501 71 51-01 | HANDLE ASSY | | 1 |
| 4 | 579 79 75-01 | NOZZLE ASSY | | 1 |

B 436/536 LiB
DECALS

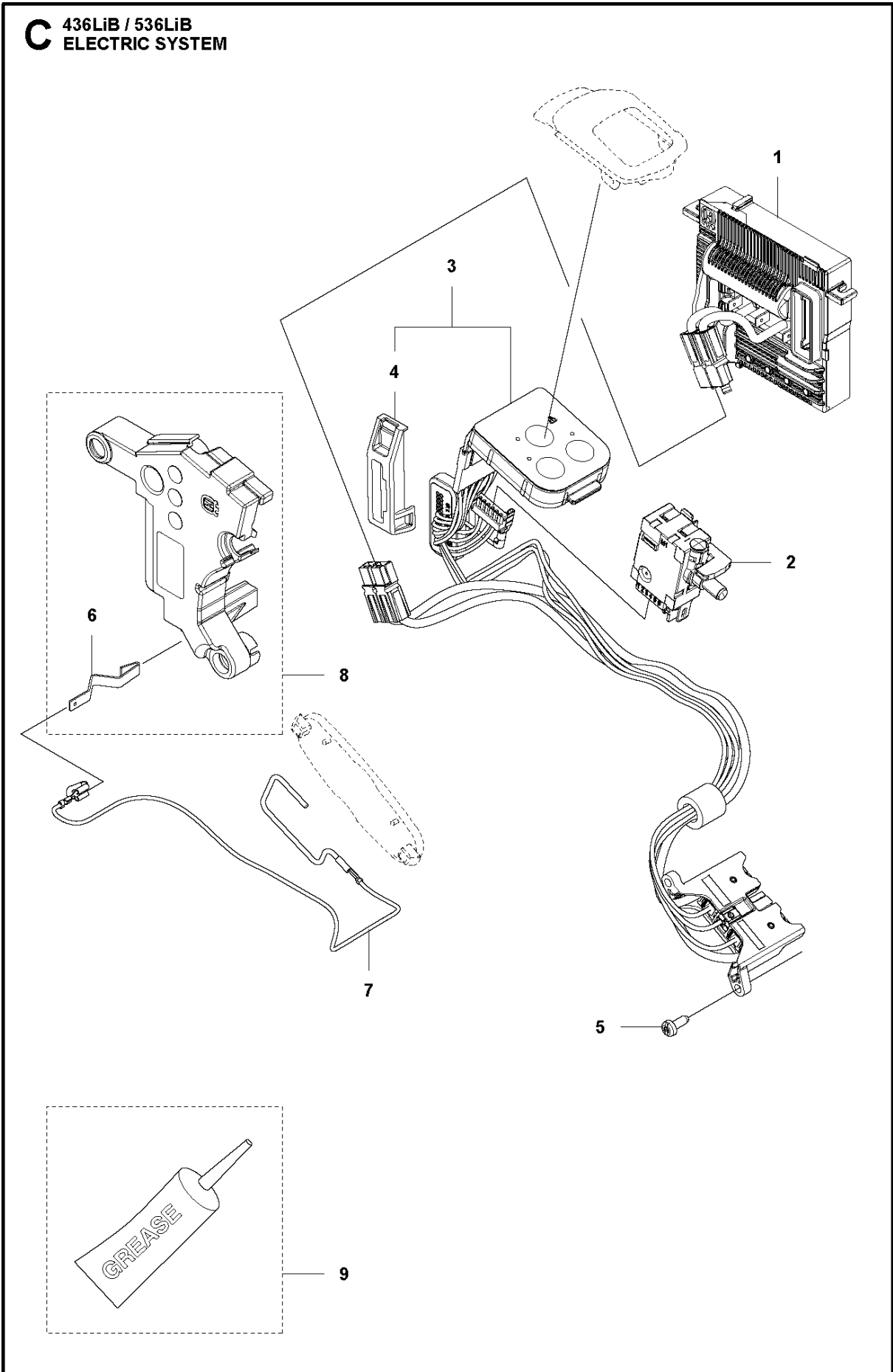


DECALS

536LiB

| Ref | Part No | Description | Remark | QTY KIT |
|-----|--------------|-------------|---------------|---------|
| 1 | 586 83 41-01 | DECAL | 436LiB left. | 1 |
| 1 | 586 83 41-02 | DECAL | 536LiB left. | 1 |
| 2 | 586 83 42-01 | DECAL | 436LiB right. | 1 |
| 2 | 586 83 42-02 | DECAL | 536LiB right. | 1 |
| 3 | 577 84 43-01 | DECAL | | 1 |

C 436LiB / 536LiB
ELECTRIC SYSTEM

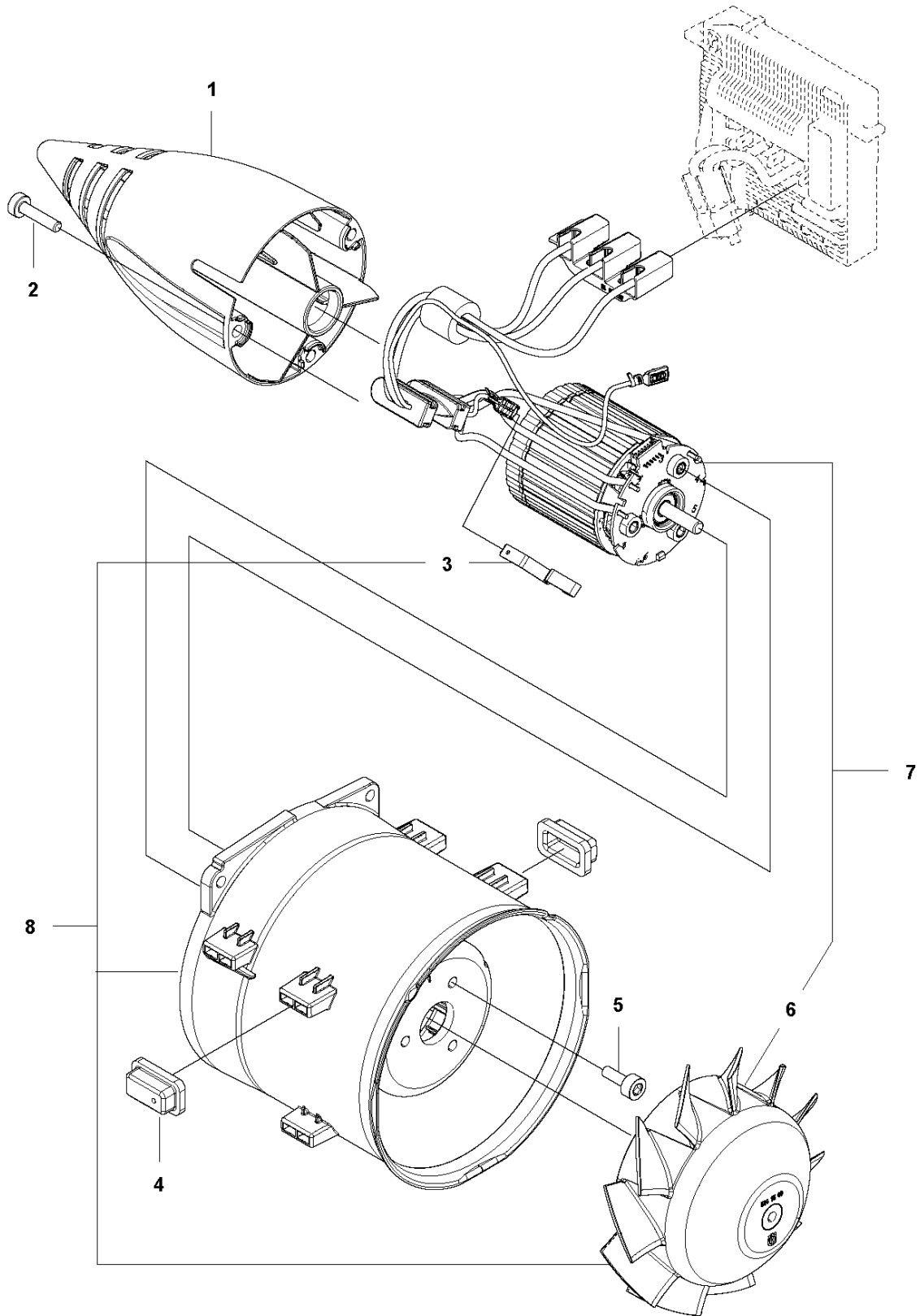


ELECTRICAL

536LiB

| Ref | Part No | Description | Remark | QTY | KIT |
|-----|--------------|----------------|--------|-----|-----|
| 1 | 587 94 86-01 | CONTROL UNIT | | 1 | |
| 2 | 578 32 69-01 | TRIGGER SWITCH | | 1 | |
| 3 | 587 69 59-01 | WIRING ASSY | | 1 | |
| 4 | 587 32 72-01 | BRACKET | | 1 | 3 |
| 5 | 503 21 28-13 | SCREW CCRPANT | | 2 | |
| 6 | 586 49 22-01 | SPRING | | 1 | 8 |
| 7 | 586 96 39-01 | WIRING ASSY | | 1 | |
| 8 | 588 00 98-01 | KIT | | 1 | |
| 9 | 588 17 64-01 | GREASE | | 1 | |

D 436/536 LiB
FAN SYSTEM

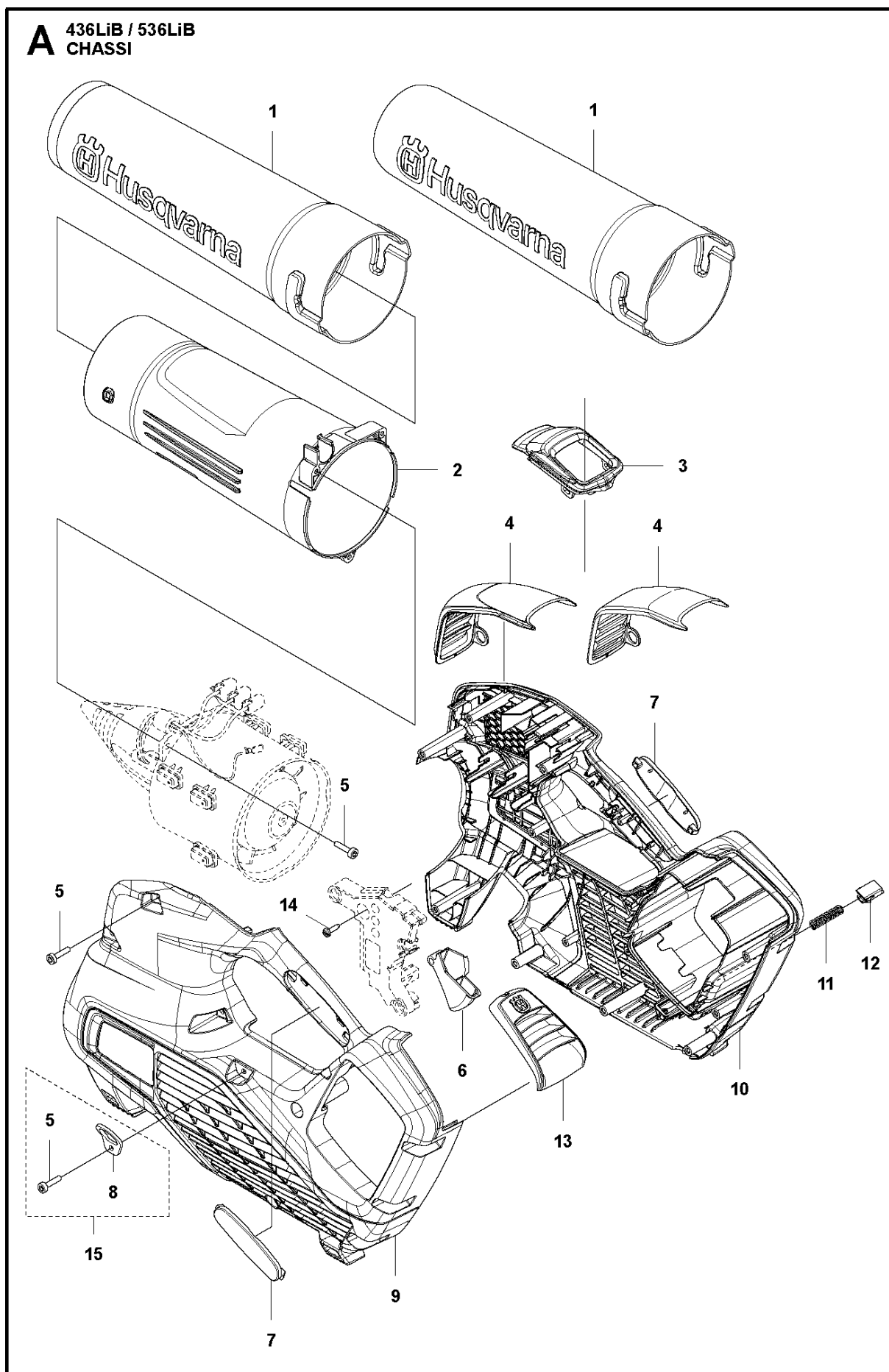


FAN

536LiB

| Ref | Part No | Description | Remark | QTY | KIT |
|-----|--------------|--------------|--------|-----|------|
| 1 | 584 15 65-01 | CONE | | 1 | |
| 2 | 579 21 19-01 | SCREW IH SCT | | 3 | |
| 3 | 586 49 22-01 | SPRING | | 1 | 8 |
| 4 | 503 91 10-01 | SUSPENSION | | 6 | |
| 5 | 503 20 25-12 | SCREW IH SCM | | 3 | |
| 6 | 584 15 60-01 | ROTOR | | 1 | 7, 8 |
| 7 | 588 00 99-01 | MOTOR ASSY | | 1 | |
| 8 | 588 01 00-01 | KIT | | 1 | |

A 436LiB / 536LiB
CHASSI



TUBE

536LiB

| Ref | Part No | Description | Remark | QTY | KIT |
|-----|--------------|------------------|--------|-----|-----|
| 1 | 584 15 68-02 | NOZZLE | 436LiB | 1 | |
| 1 | 586 10 63-01 | TUBE ASSY | 536LiB | 1 | |
| 2 | 584 15 66-01 | TUBE | | 1 | |
| 3 | 584 21 37-01 | FRAME | | 1 | |
| 4 | 584 91 43-01 | COVER | 436LiB | 1 | |
| 4 | 584 91 47-01 | COVER | 536LiB | 1 | |
| 5 | 579 21 19-01 | SCREW IHSCT | 536LiB | 16 | 15 |
| 5 | 579 21 19-01 | SCREW IHSCT | 436LiB | 15 | |
| 6 | 579 56 41-02 | THROTTLE CONTROL | | 1 | |
| 7 | 544 04 20-03 | HANDLE INSERT | | 2 | |
| 8 | 586 51 42-01 | EYELET | | 1 | 15 |
| 9 | 584 15 74-01 | HOUSING | | 1 | |
| 10 | 584 15 73-01 | HOUSING | | 1 | |
| 11 | 585 48 00-01 | SPRING | | 1 | |
| 12 | 577 99 66-01 | PUSH BUTTON | | 1 | |
| 13 | 576 90 12-01 | COVER | | 1 | |
| 14 | 503 21 28-13 | SCREW CCRPANT | | 1 | |
| 15 | 588 00 97-01 | KIT | | 1 | |