

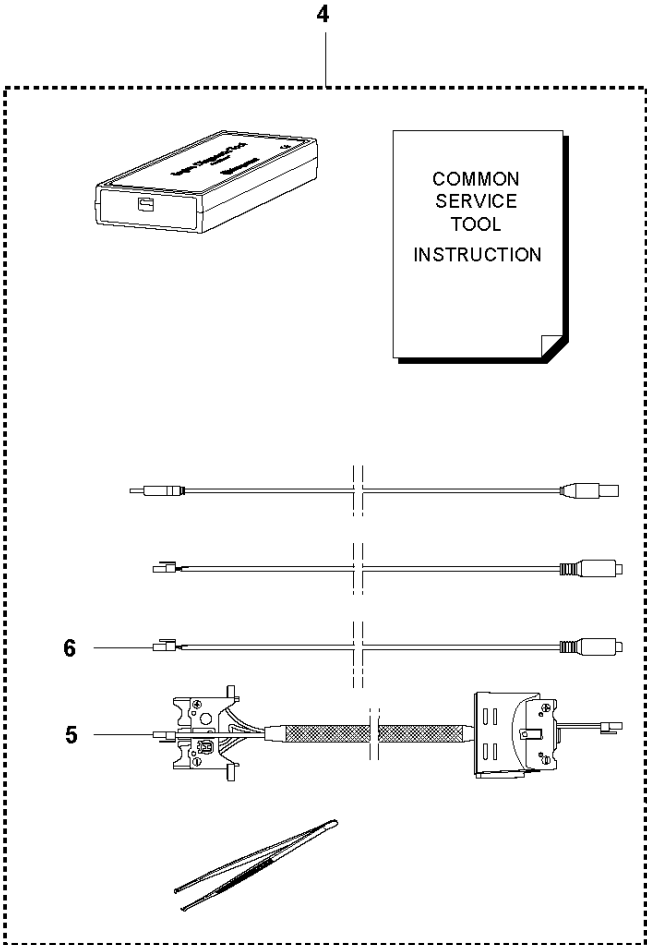
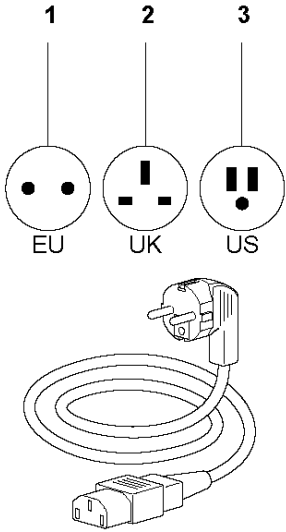


SPARE PARTS LIST

HEDGE TRIMMERS/POLE HEDGE
TRIMMERS

536LiHD70X

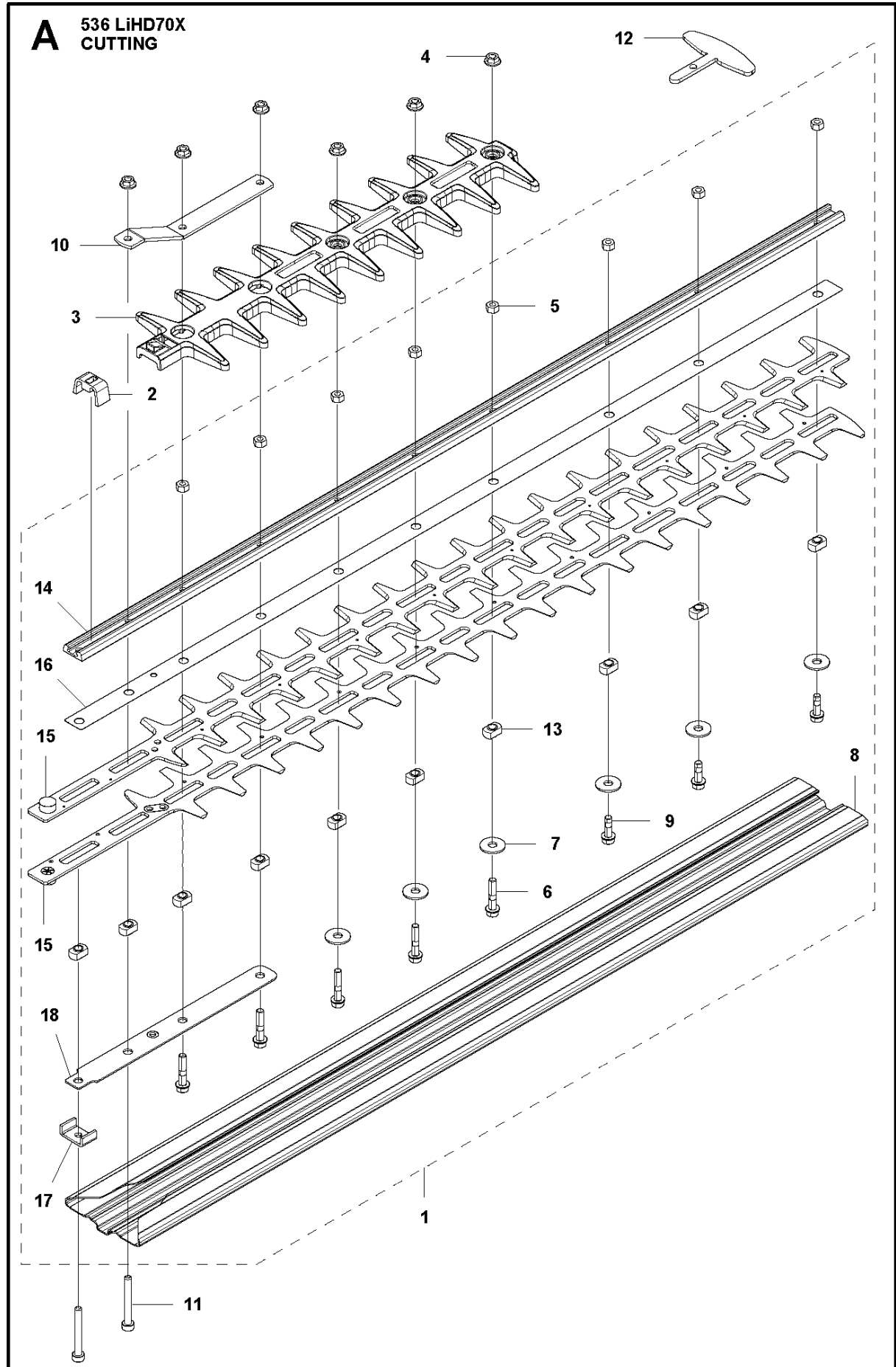
F 536 LiHD70X / LiHD60X
ACCESSORIES



ACCESSORIES

536LiHD70X

| Ref | Part No | Description | Remark | QTY | KIT |
|-----|--------------|---------------------|--------|-----|------|
| 1 | 578 08 19-01 | MAINS CABLE | | 1 | |
| 2 | 579 13 06-01 | MAINS CABLE | | 1 | |
| 3 | 579 13 04-01 | MAINS CABLE | | 1 | |
| 4 | 583 89 71-01 | DIAGNOSTIC TOOL KIT | | 1 | |
| 5 | 579 62 13-01 | WIRING ASSY | | 1 | 4, 7 |
| 6 | 576 95 22-01 | CABLE ASSY | | 1 | 7 |

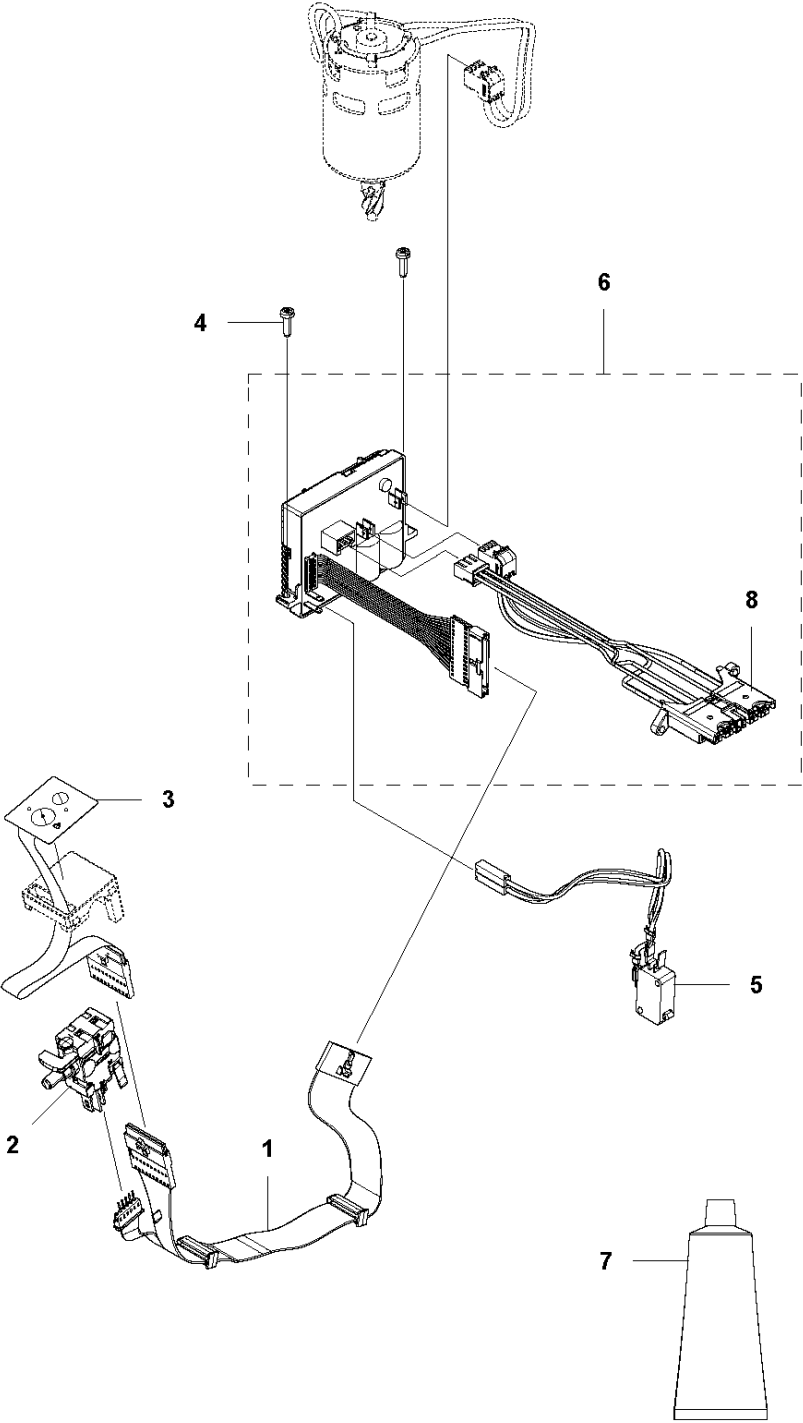


CUTTING EQUIPMENT

536LiHD70X

| Ref | Part No | Description | Remark | QTY | KIT |
|-----|--------------|-----------------|--------|-----|-----|
| 1 | 580 71 83-05 | CUTTING DECK | | 1 | |
| 2 | 578 37 22-01 | GASKET | | 1 | |
| 3 | 581 10 09-01 | PROTECTION ASSY | | 1 | |
| 4 | 503 22 00-09 | HEXAGON NUT | | 6 | |
| 5 | 579 63 31-01 | HEXAGON NUT | | 8 | 1 |
| 6 | 584 15 22-02 | SCREW IHSCFM | | 5 | 1 |
| 7 | 503 23 00-24 | WASHER | | 7 | 1 |
| 8 | 581 25 93-03 | TRANSPORT GUARD | | 1 | 1 |
| 9 | 584 15 22-01 | SCREW IHSCFM | | 3 | 1 |
| 10 | 580 93 15-01 | SUPPORT | | 1 | |
| 11 | 581 76 16-01 | SCREW IHSCFM | | 2 | |
| 12 | 581 48 35-01 | PROTECTION | | 1 | |
| 13 | 580 71 62-01 | SPACER | | 10 | 1 |
| 14 | 580 71 57-02 | BAR | | 1 | 1 |
| 15 | 580 71 56-04 | BLADE | | 2 | 1 |
| 16 | 580 71 61-01 | WEAR PLATE | | 1 | 1 |
| 17 | 578 37 20-01 | BRACKET | | 1 | 1 |
| 18 | 580 71 58-02 | BAR | | 1 | 1 |

E 536 LiHD70X / LiHD60X
ELECTRIC

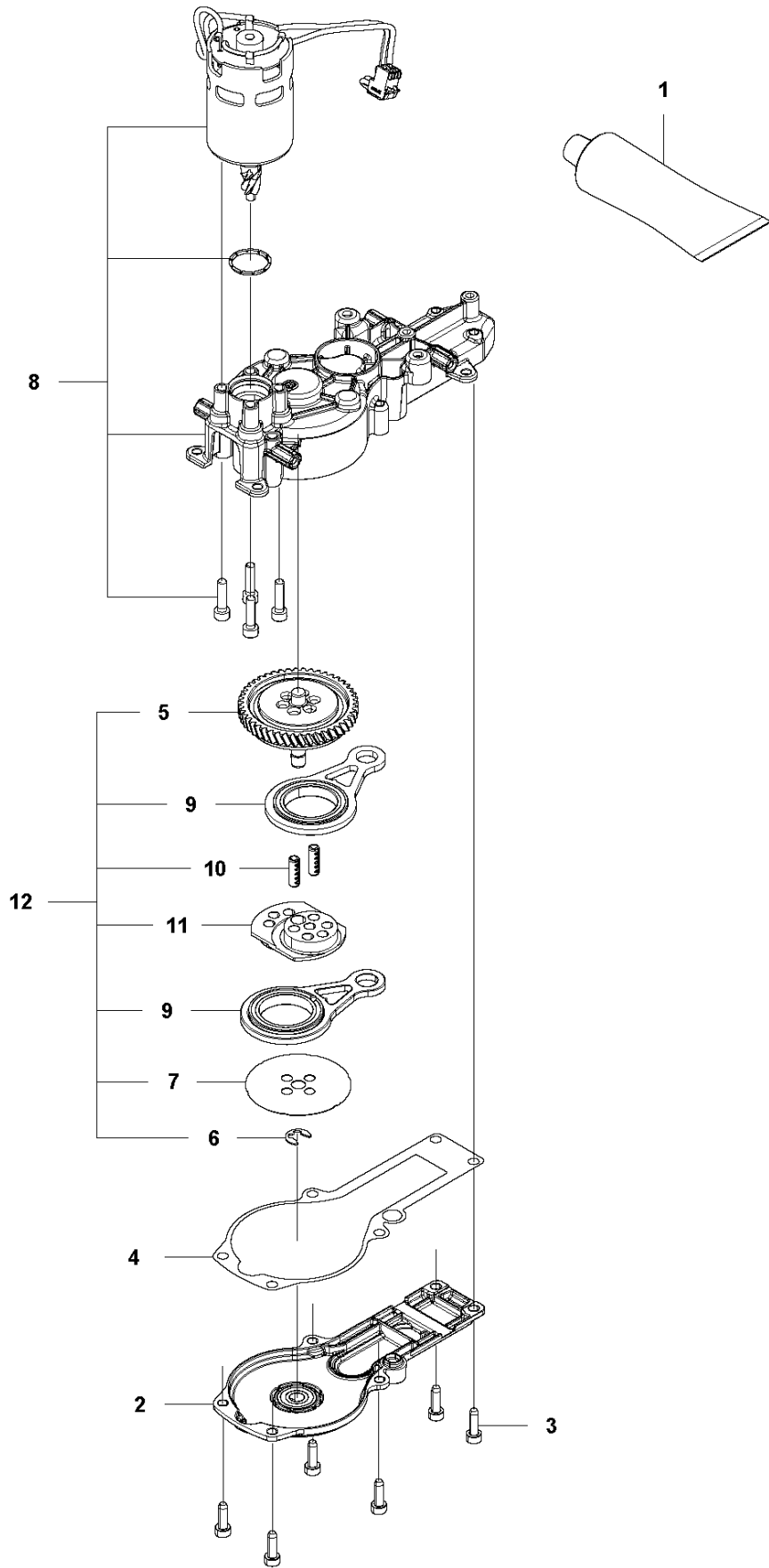


ELECTRICAL

536LiHD70X

| Ref | Part No | Description | Remark | QTY KIT |
|-----|--------------|----------------|-------------|---------|
| 1 | 581 51 76-01 | WIRING ASSY | | 1 |
| 2 | 578 32 69-01 | TRIGGER SWITCH | | 1 |
| 3 | 579 73 82-01 | KEYPAD | | 1 |
| 4 | 503 21 28-13 | SCREW CCRPANT | | 2 |
| 5 | 581 53 13-01 | WIRING ASSY | | 1 |
| 6 | 581 94 66-01 | CONTROL UNIT | | 1 |
| 7 | 588 17 64-01 | GREASE | SB-B1500023 | 1 |
| 8 | 579 70 93-01 | WIRING ASSY | | 1 |

B 536 LiHD70X / LiHD60X
GEAR

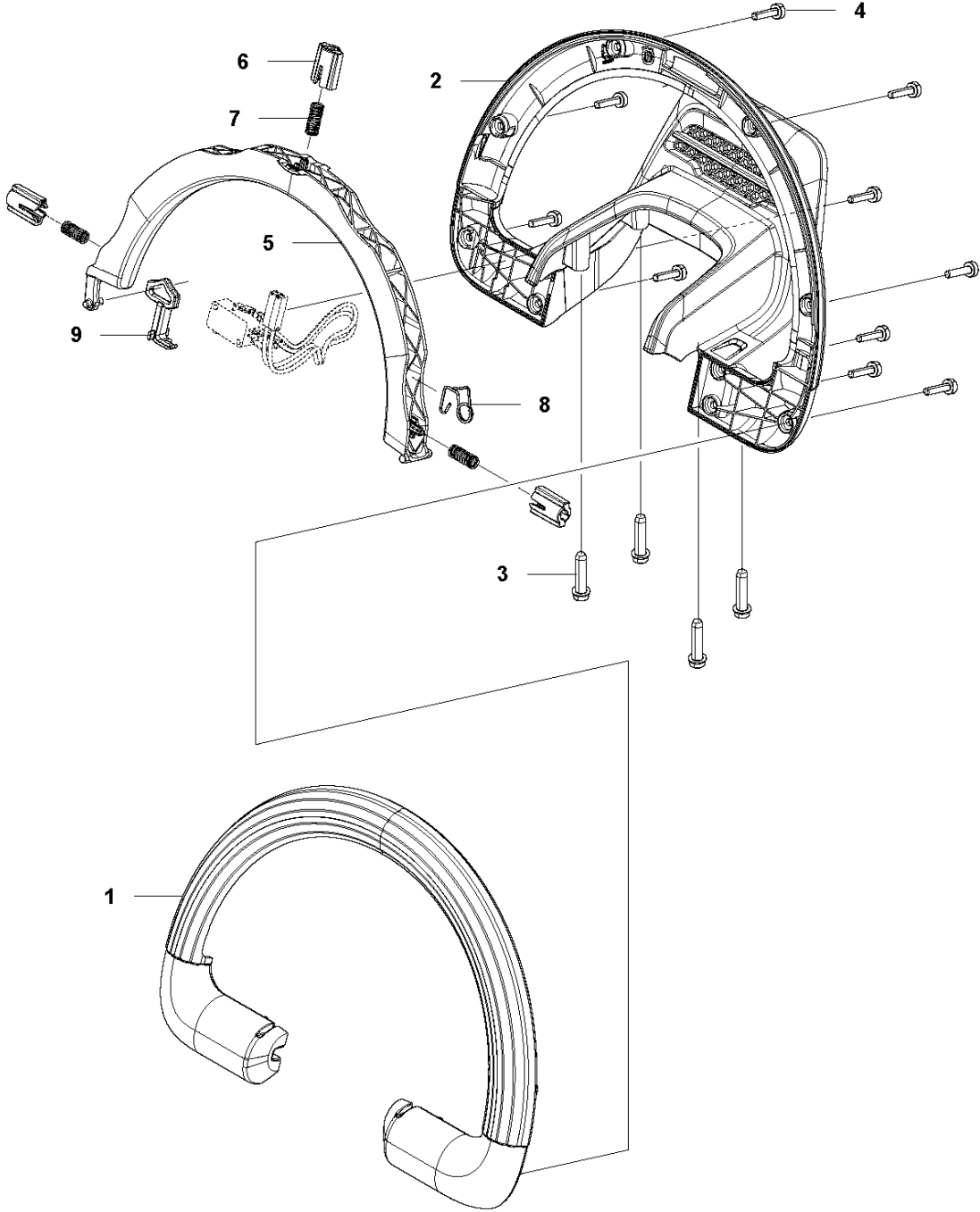


GEARS

536LiHD70X

| Ref | Part No | Description | Remark | QTY | KIT |
|-----|--------------|-----------------------|--------|-----|-----|
| 1 | 503 98 96-03 | GREASE | | 1 | |
| 2 | 577 83 45-02 | BOTTOM PLATE ASSEMBLY | | 1 | |
| 3 | 503 21 68-72 | SCREW IHSCT | | 6 | |
| 4 | 584 41 10-01 | GASKET | | 1 | |
| 5 | 582 36 30-01 | HELICAL GEAR | | 1 | 12 |
| 6 | 578 05 49-01 | LOCKWASHER | | 1 | 12 |
| 7 | 522 71 46-01 | DISC | | 1 | 12 |
| 8 | 582 38 67-01 | MOTOR ASSY | | 1 | |
| 9 | 582 36 31-01 | CONNECTING ROD ASSY | | 2 | 12 |
| 10 | 578 00 27-01 | HEAVY DUTY DOWEL PIN | | 2 | 12 |
| 11 | 581 83 85-01 | ECCENTRIC DISC | | 1 | 12 |
| 12 | 582 83 70-01 | GEAR | | 1 | |

C 536 LiHD70X / LiHD60X
HANDLE

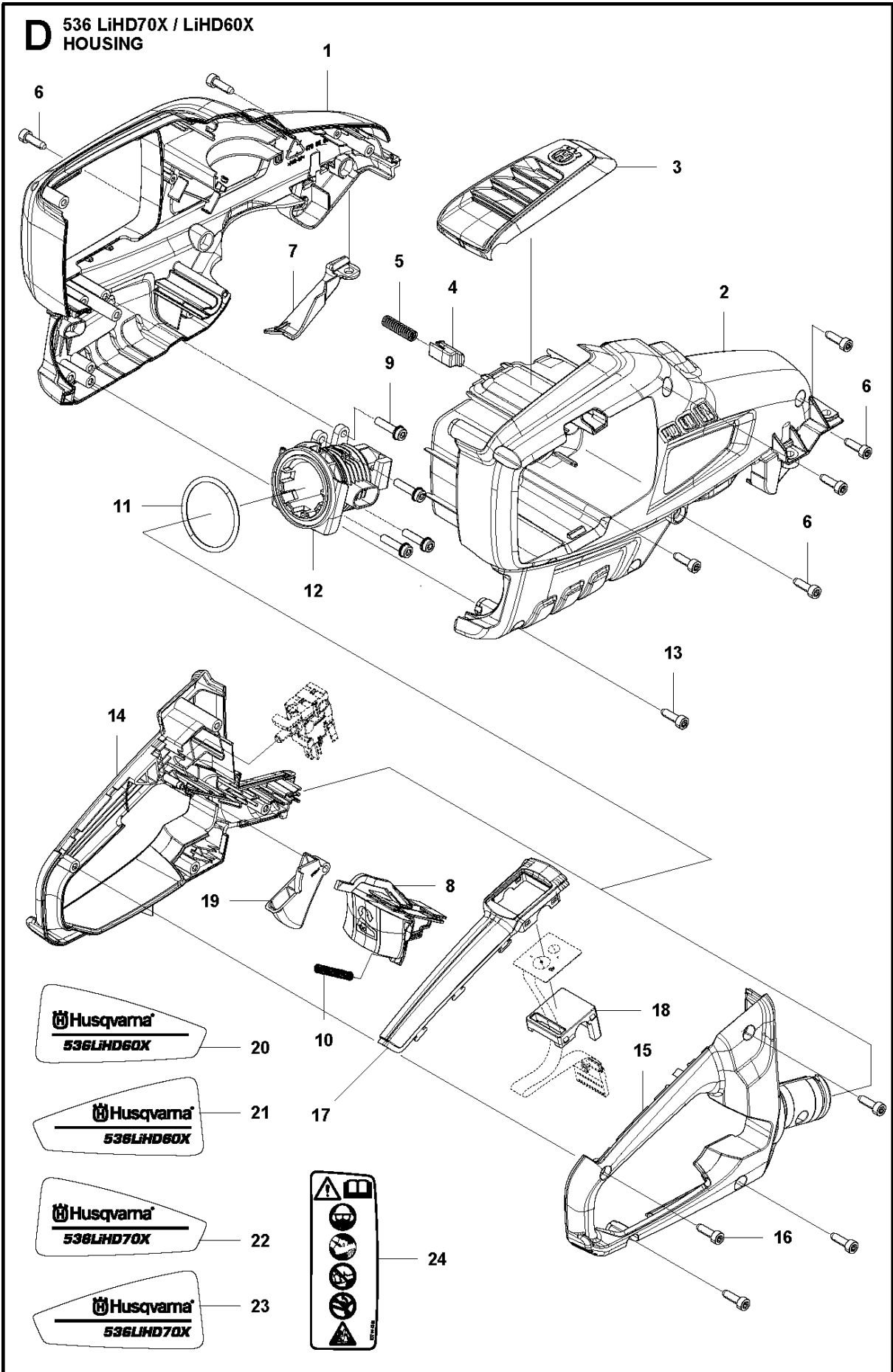


HANDLE

536LiHD70X

| Ref | Part No | Description | Remark | QTY KIT |
|-----|--------------|---------------|--------|---------|
| 1 | 579 56 35-03 | FRONT HANDLE | | 1 |
| 2 | 579 56 34-02 | FRONT HANDLE | | 1 |
| 3 | 503 21 88-76 | SCREW IHSCT | | 4 |
| 4 | 579 21 19-01 | SCREW IHSCT | | 10 |
| 5 | 579 56 36-02 | FRONT HANDLE | | 1 |
| 6 | 580 79 01-01 | BUSHING | | 3 |
| 7 | 583 89 03-01 | RECOIL SPRING | | 3 |
| 8 | 584 27 40-01 | SPRING | | 1 |
| 9 | 581 22 32-01 | LEVER | | 1 |

D 536 LiHD70X / LiHD60X
HOUSING



HOUSING

536LiHD70X

| Ref | Part No | Description | Remark | QTY KIT |
|-----|--------------|------------------|---------------|---------|
| 1 | 579 55 96-01 | CHASSIS | Chassis left | 1 |
| 2 | 579 55 97-01 | CHASSIS | Chassis right | 1 |
| 3 | 579 56 03-01 | COVER | | 1 |
| 4 | 577 99 66-01 | PUSH BUTTON | | 1 |
| 5 | 577 99 65-01 | SPRING | | 1 |
| 6 | 503 21 74-16 | SCREW IHSCT | | 4 |
| 7 | 580 71 50-01 | COVER | | 1 |
| 8 | 579 56 53-01 | LOCKING BUTTON | | 1 |
| 9 | 503 21 68-72 | SCREW IHSCT | | 4 |
| 10 | 584 27 00-01 | RECOIL SPRING | | 1 |
| 11 | 575 23 20-02 | O-RING | | 1 |
| 12 | 579 56 01-01 | HANDLE HOLDER | | 1 |
| 13 | 579 21 19-01 | SCREW IHSCT | | 5 |
| 14 | 579 56 37-01 | REAR HANDLE | | 1 |
| 15 | 579 56 38-01 | REAR HANDLE | | 1 |
| 16 | 579 21 19-01 | SCREW IHSCT | | 5 |
| 17 | 579 56 54-01 | FRAME | | 1 |
| 18 | 580 71 95-01 | BRACKET | | 1 |
| 19 | 579 56 41-01 | THROTTLE CONTROL | | 1 |
| 20 | 581 66 29-01 | DECAL | Decal 60x | 1 |
| 21 | 581 66 28-01 | DECAL | Decal 60x | 1 |
| 22 | 581 66 29-02 | DECAL | Decal 70x | 1 |
| 23 | 581 66 28-02 | DECAL | Decal 70x | 1 |
| 24 | 577 84 43-01 | DECAL | | 1 |