

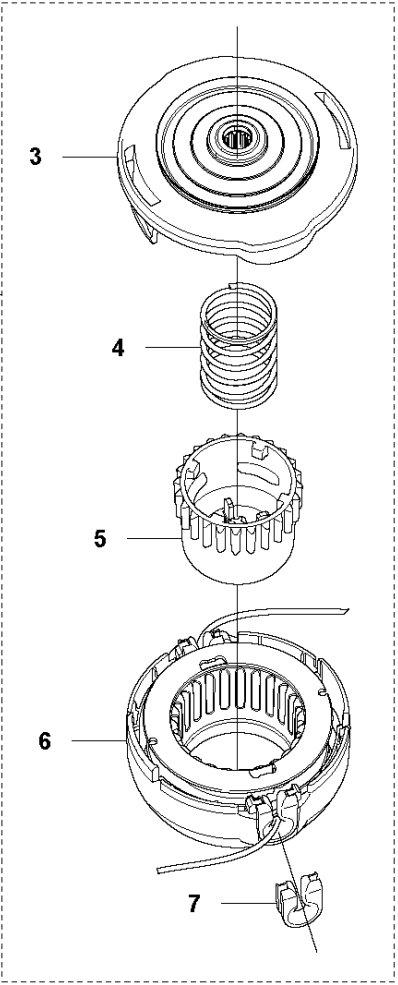
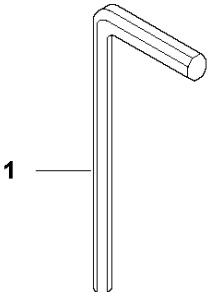


SPARE PARTS LIST

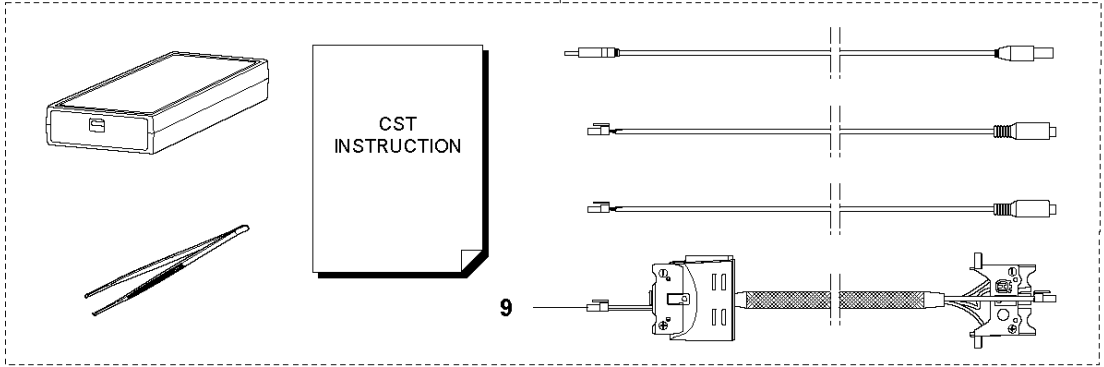
TRIMMERS/EDGERS

536 LiLX

F 536LiLX
ACCESSORIES



8

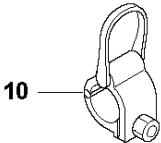
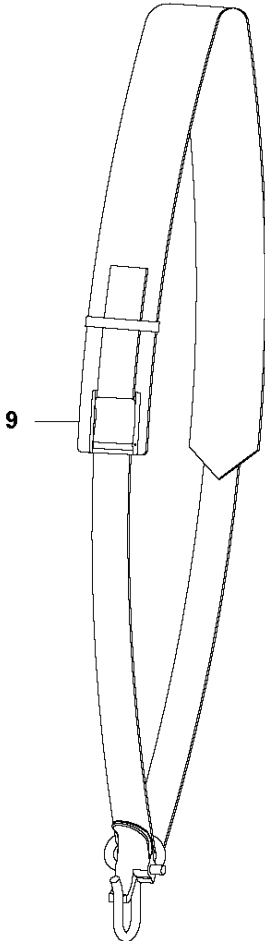
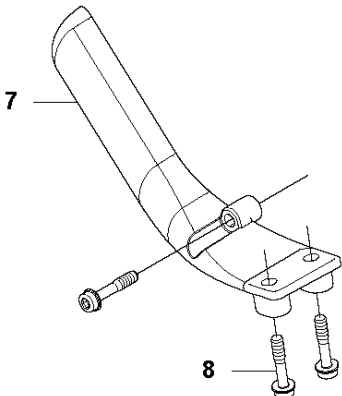
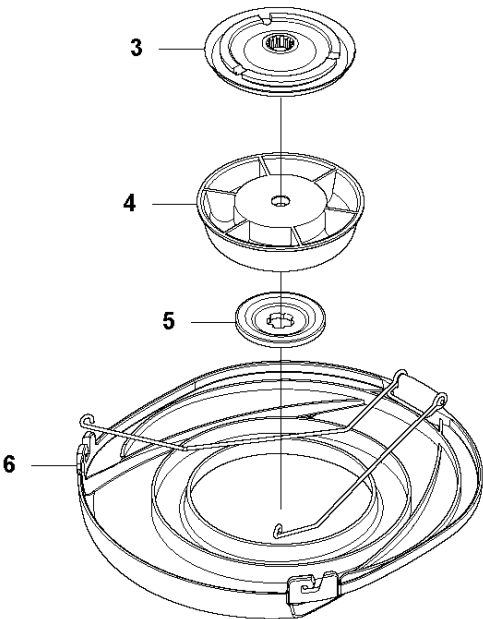
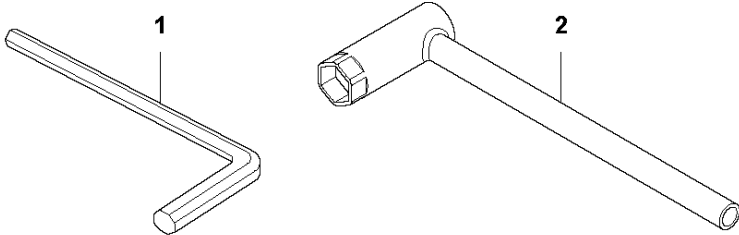


ACCESSORIES

536 LiLX

Ref	Part No	Description	Remark	QTY	KIT
1	503 55 86-01	SPANNER		1	
2	579 29 40-02	TRIMMER HEAD		1	
3	585 51 08-01	HOUSING ASSY		1	2
4	577 05 03-01	SPRING		1	2
5	577 04 93-01	KNOB		1	2
6	578 19 69-01	COVER		1	2
7	501 33 04-01	GROMMET		2	2
8	583 89 71-01	DIAGNOSTIC TOOL KIT		1	
9	579 62 13-01	WIRING ASSY		1	8

A 536LiLX
ATTACHMENT KIT

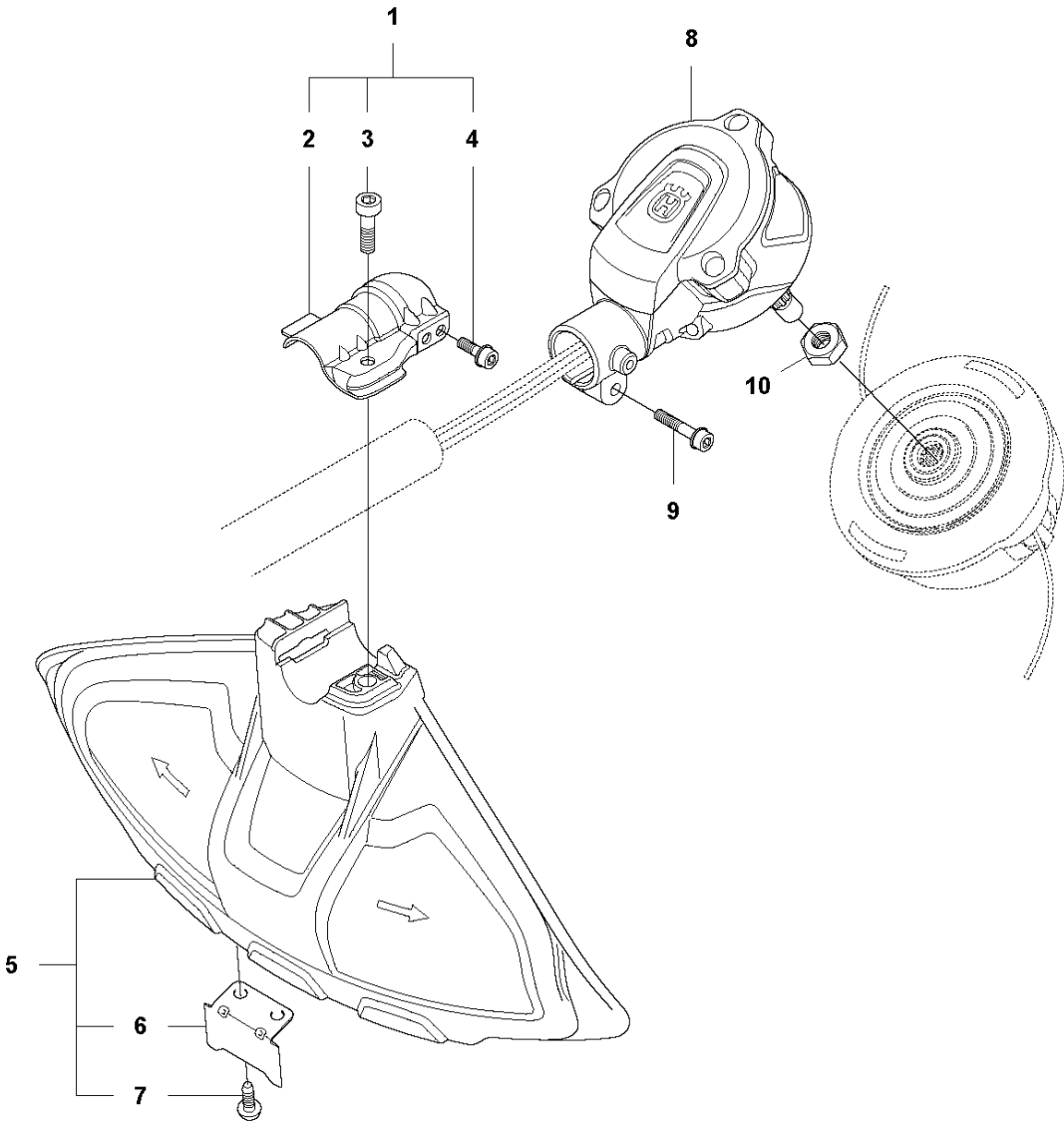


ATTACHMENTS

536 LiLX

Ref	Part No	Description	Remark	QTY KIT
1	503 55 86-01	SPANNER		1
2	502 11 46-02	SOCKET WRENCH		1
3	587 24 08-01	DRIVER ASSY		1
4	503 89 01-01	SUPPORT CUP		1
5	537 28 56-01	SUPPORT FLANGE		1
6	537 31 29-01	SAW BLADE GUARD		1
7	503 99 78-04	HANDLE		1
8	574 18 15-01	SCREW IHSCFTO		3
9	537 21 62-01	HARNESS		1
9	537 21 62-02	HARNESS		1
10	537 35 36-01	LOOP		1

A 536LiLX
CUTTING

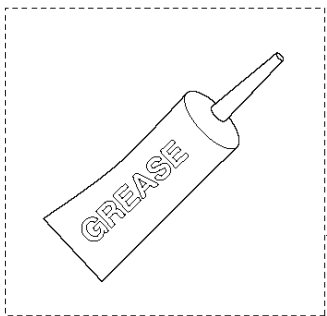
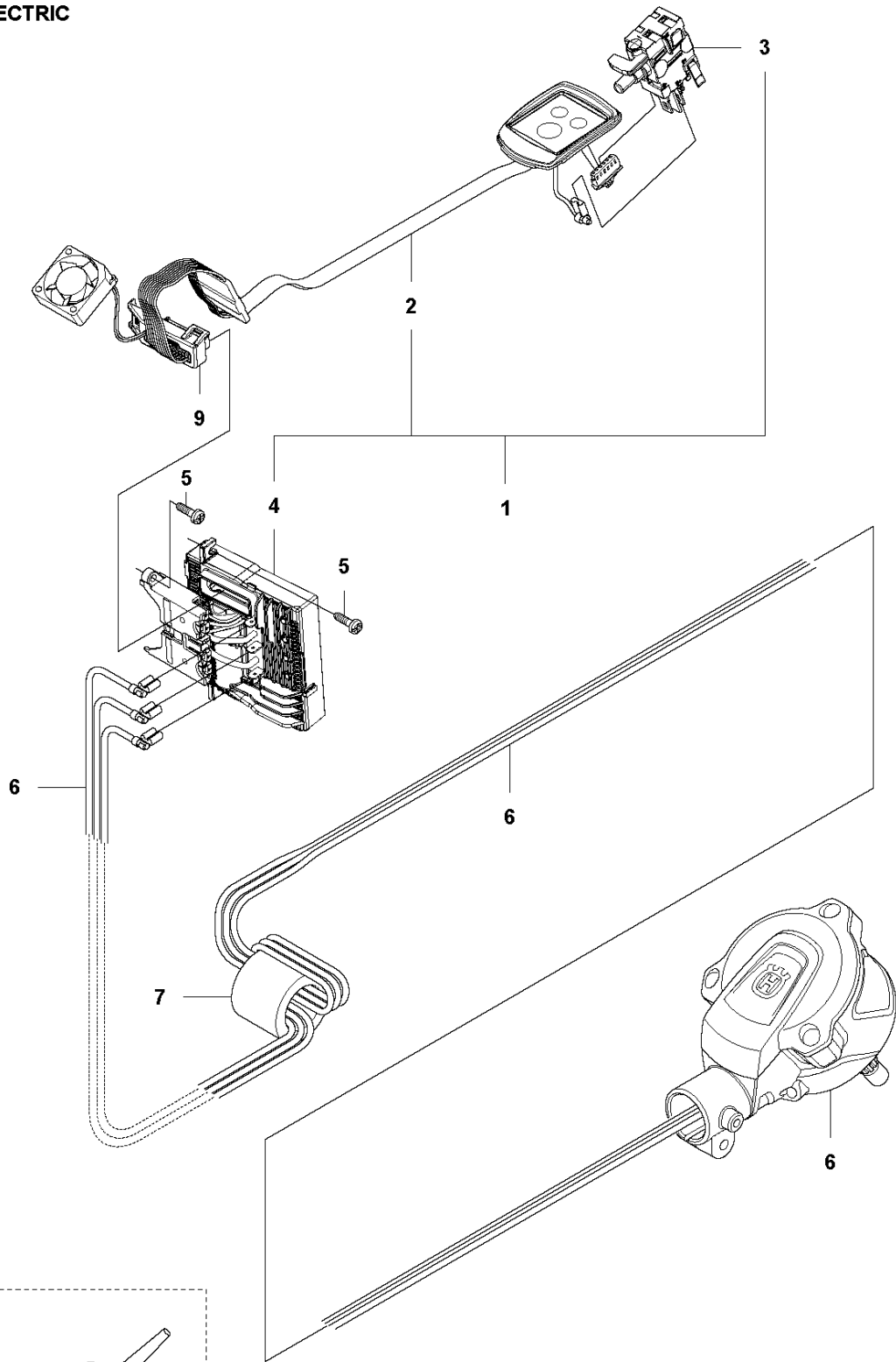


CUTTING EQUIPMENT

536 LiLX

Ref	Part No	Description	Remark	QTY KIT	
1	574 30 69-04	CLAMP		1	
2	503 93 55-01	CLAMP.GUARD		1	1
3	503 20 20-07	SCREW IHSCM		1	1
4	503 20 14-12	SCREW IHSCFMO		1	1
5	577 01 83-03	TRIMMER GUARD ASSY		1	
6	574 52 34-01	KNIFE		1	5
7	503 21 07-16	SCREW IH SCT		2	5
8	577 02 21-04	MOTOR ASSY		1	
9	503 20 07-78	SCREW IHSCFM		1	
10	503 85 63-01	NUT		1	

E 536LiLX
ELECTRIC



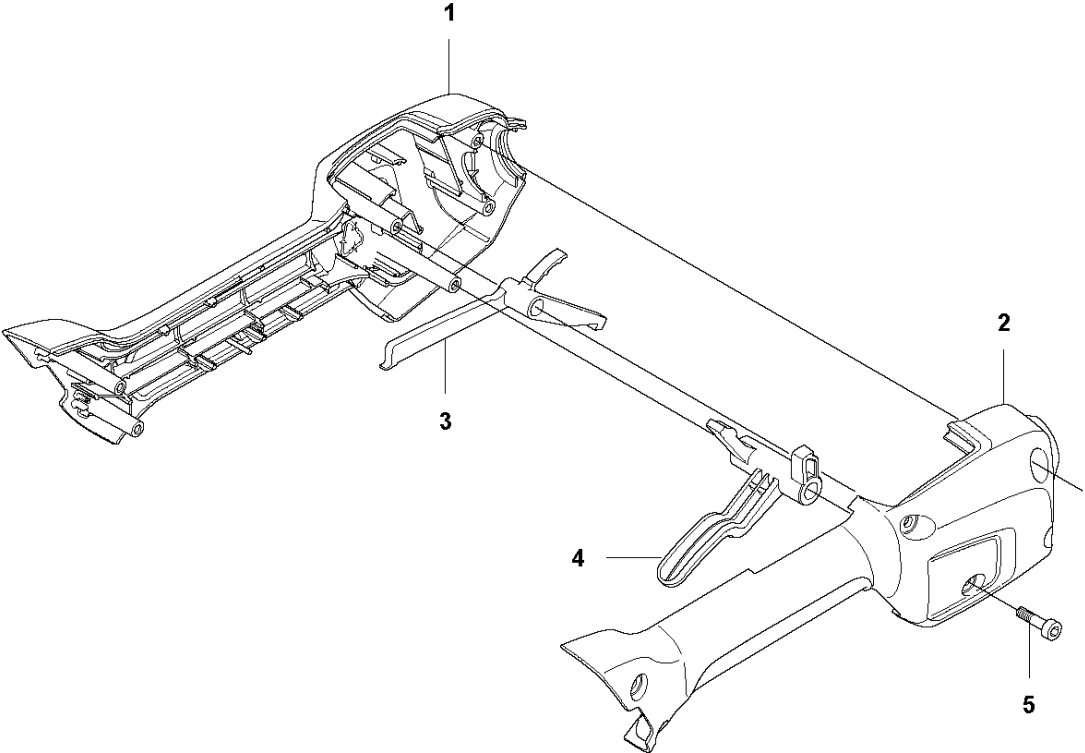
8

ELECTRICAL

536 LiLX

Ref	Part No	Description	Remark	QTY	KIT
1	588 21 52-01	CONTROL UNIT		1	
2	585 37 11-01	WIRING ASSY		1	1
3	578 32 69-01	TRIGGER SWITCH	SEE SB-1500023	1	1
4	586 32 32-01	CONTROL UNIT		1	1
5	503 21 28-13	SCREW CCRPANT		4	
6	577 02 21-04	MOTOR ASSY		1	
7	577 97 66-01	FERRITE CORE		1	
8	588 17 64-01	GREASE	SEE SB-1500023	1	
9	587 32 72-01	BRACKET		1	

C 536LiLX
HANDLE

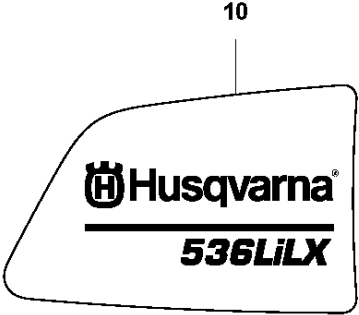
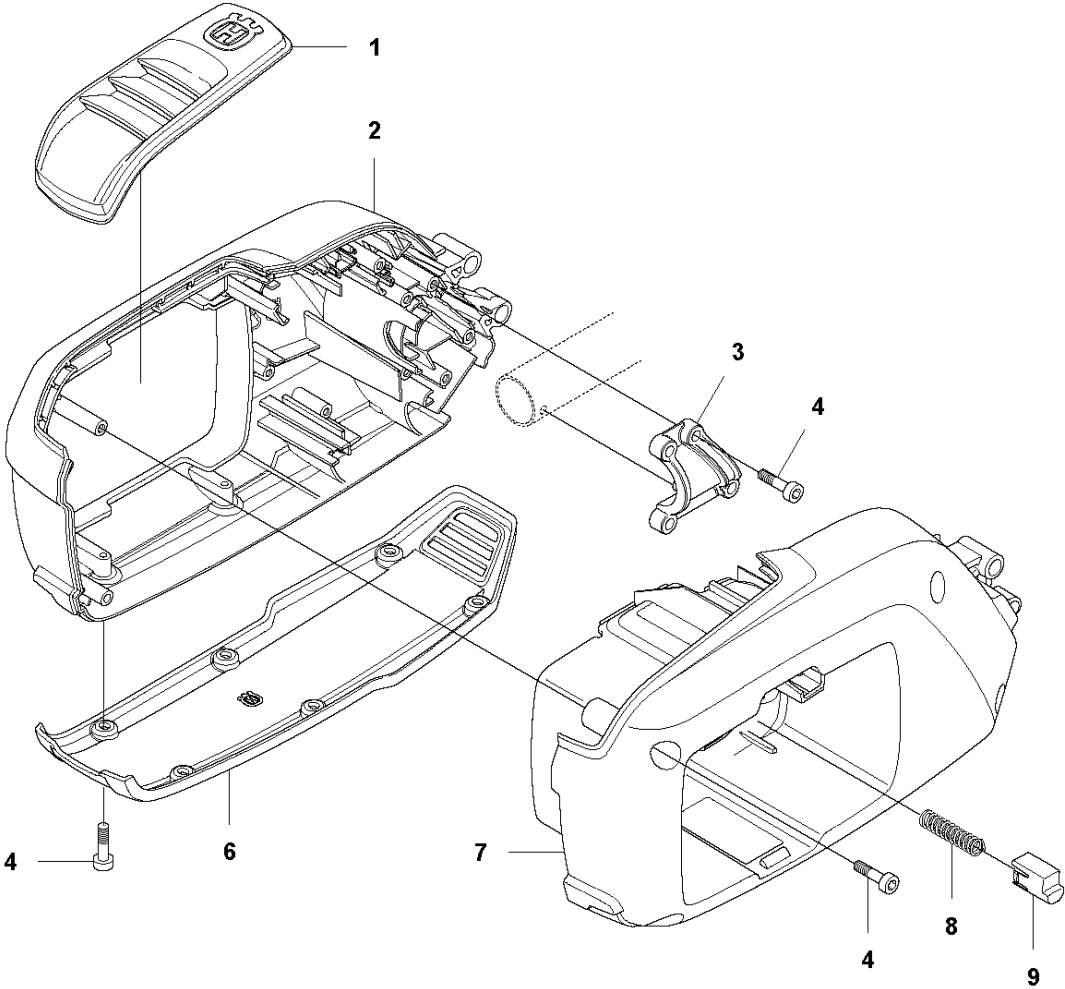


HANDLE

536 LiLX

Ref	Part No	Description	Remark	QTY KIT
1	577 01 31-01	HANDLE HALF		1
2	577 51 23-01	THROTTLE LOCKOUT		1
3	577 01 81-01	TRIGGER		1
4	577 01 32-01	HANDLE HALF		1
5	579 21 19-01	SCREW IHST		6

D2 536LiLX: S/N 201610xxxx →
BATTERY HOUSING

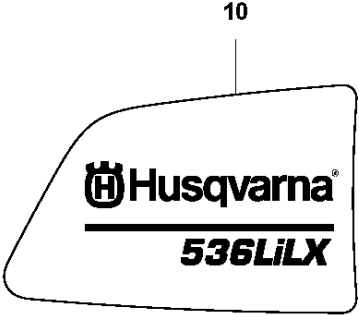
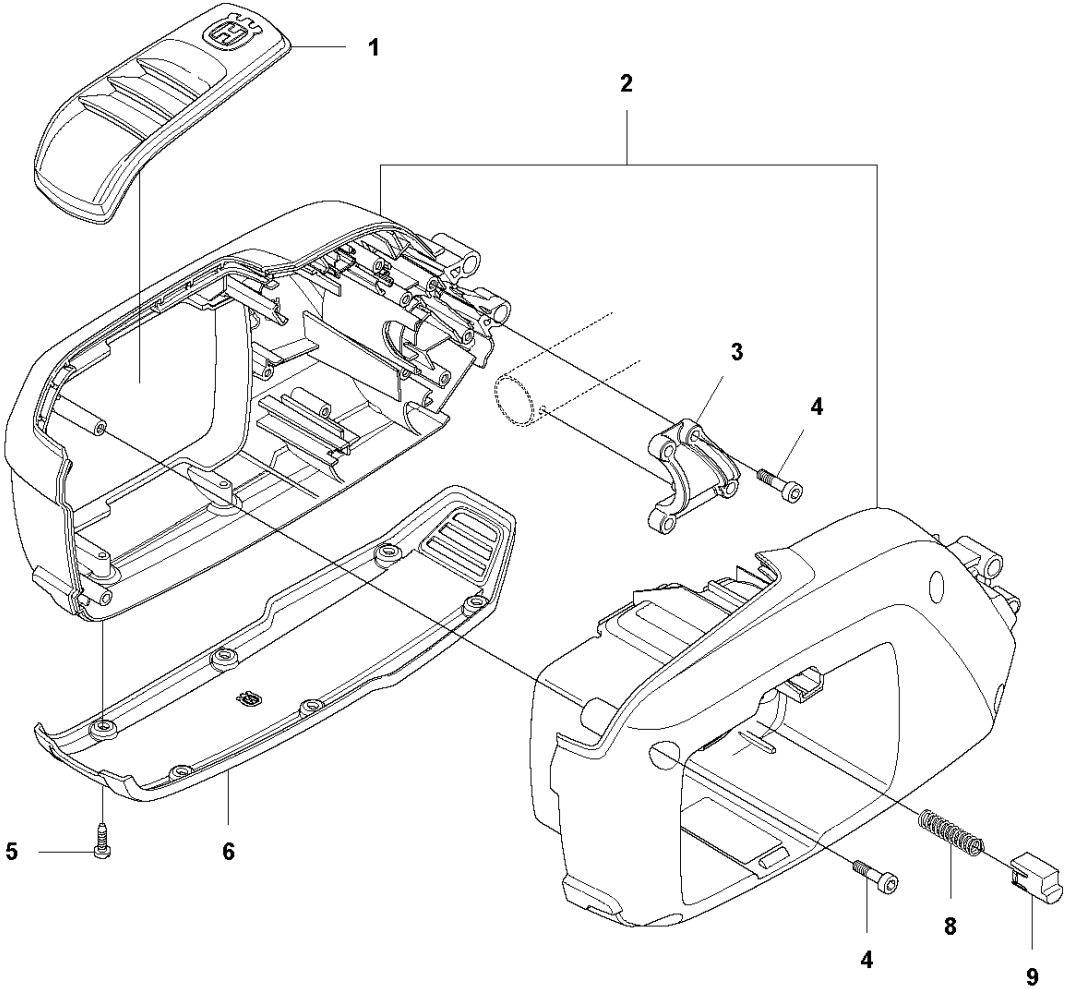


HOUSING

536 LiLX

Ref	Part No	Description	Remark	QTY KIT
1	577 01 41-01	COVER		1
2	577 00 76-03	HOUSING		1
3	577 02 22-01	CLAMP		1
4	579 21 19-01	SCREW IHSCT		14
6	588 91 98-01	SKID PLATE		1
7	577 01 30-02	HOUSING		1
8	585 48 00-01	SPRING		1
9	577 99 66-01	PUSH BUTTON		1
10	579 00 62-04	DECAL		1

D1 536LiLX: S/N → 201610xxxx
BATTERY HOUSING

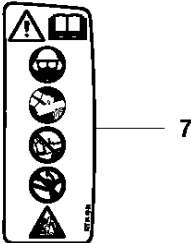
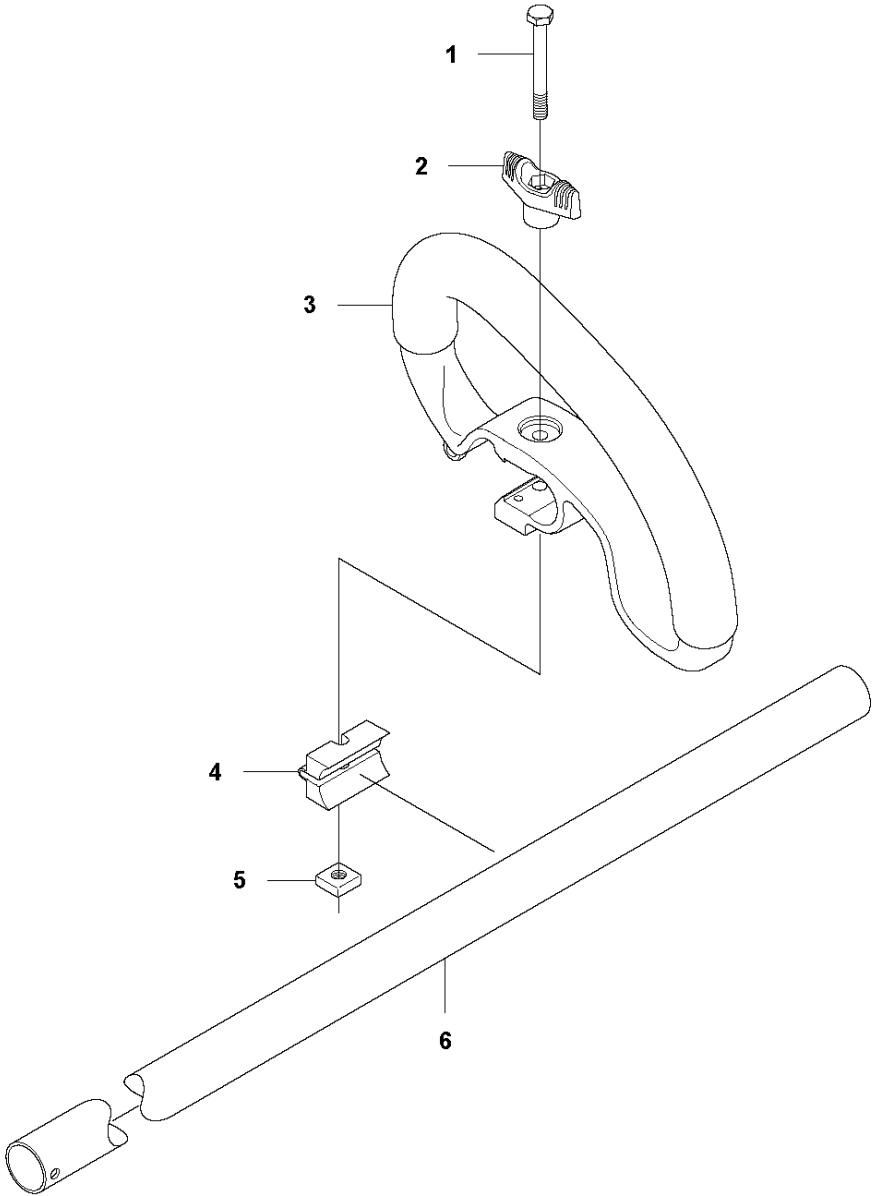


HOUSING

536 LiLX

Ref	Part No	Description	Remark	QTY KIT
1	577 01 41-01	COVER		1
2	582 70 14-01	HOUSING		1
3	577 02 22-01	CLAMP		1
4	579 21 19-01	SCREW IHSCT		8
5	503 21 28-13	SCREW CCRPANT		6
6	577 01 42-01	SKID PLATE		1
8	585 48 00-01	SPRING		1
9	577 99 66-01	PUSH BUTTON		1
10	579 00 62-04	DECAL		1

B 536LiLX
TUBE



TUBE

536 LiLX

Ref	Part No	Description	Remark	QTY KIT
1	725 23 80-51	SCREW EHHM		1
2	503 87 90-01	KNOB		1
3	503 87 19-06	HANDLE		1
4	503 94 03-01	DISTANCE		1
5	502 19 71-01	SQUARE NUT		1
6	577 06 14-03	TUBE		1
7	577 84 43-01	DECAL		1