

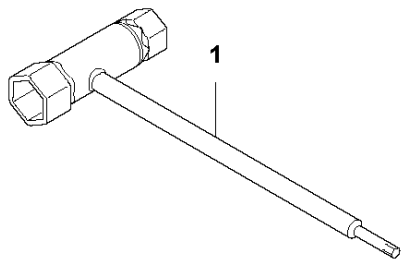


SPARE PARTS LIST

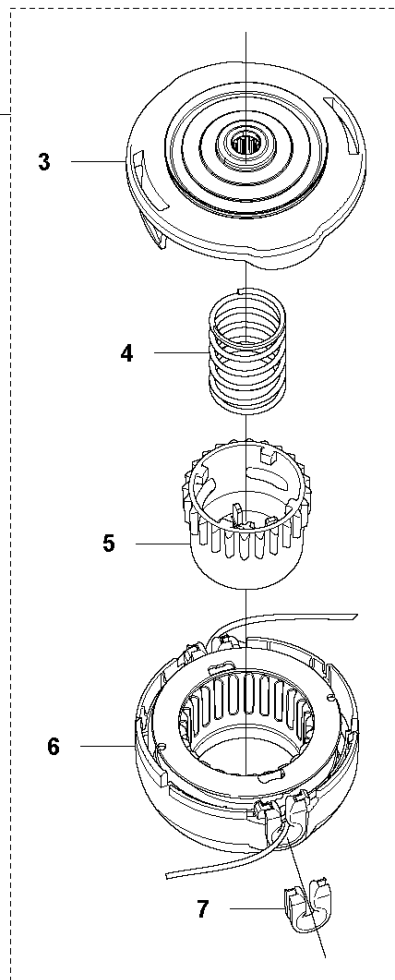
BRUSHCUTTERS/CLEARING SAWS

536 LiR

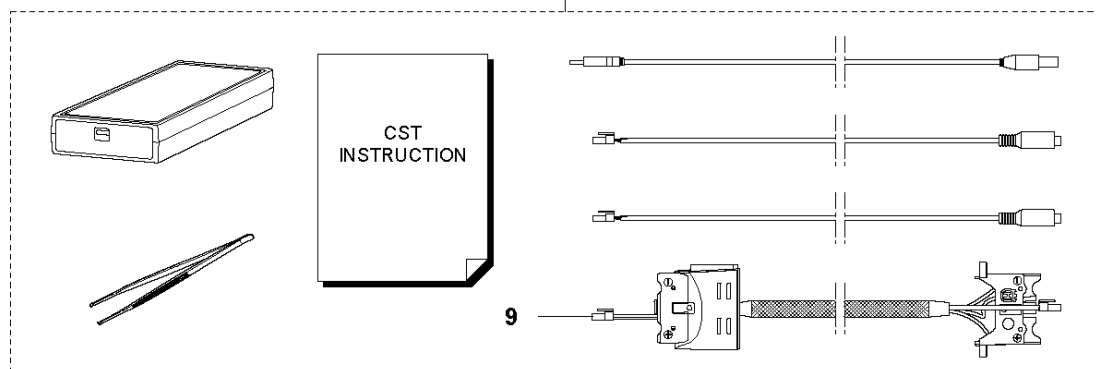
F 536LiR
ACCESSORIES



2



8

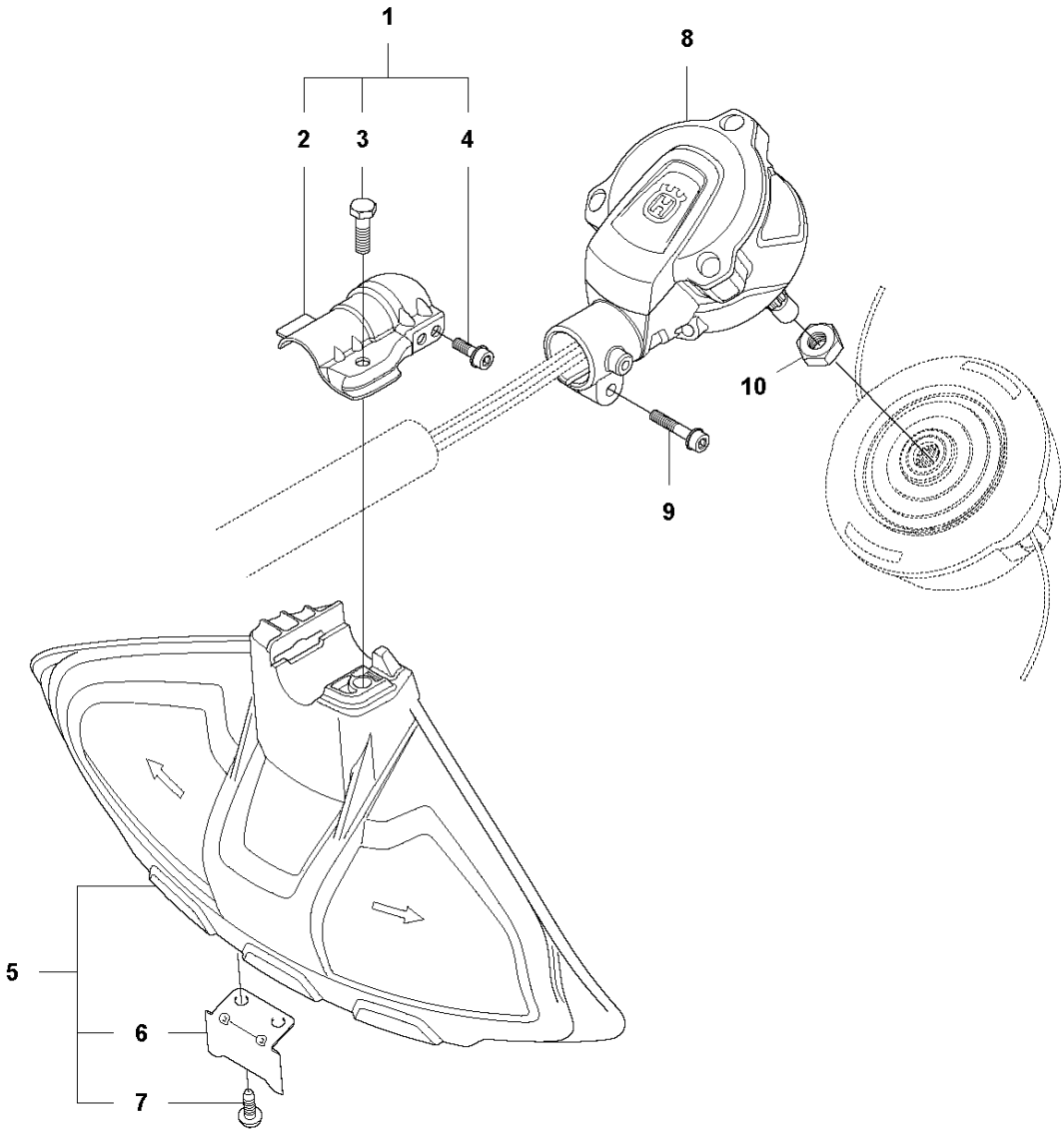


ACCESSORIES

536 LiR

Ref	Part No	Description	Remark	QTY	KIT
1	501 68 89-01	SLEEVE TOOL		1	
2	579 29 40-02	TRIMMER HEAD		1	
3	585 51 08-01	HOUSING ASSY		1	2
4	577 05 03-01	SPRING		1	2
5	577 04 93-01	KNOB		1	2
6	578 19 69-01	COVER		1	2
7	501 33 04-01	GROMMET		2	
8	583 89 71-01	DIAGNOSTIC TOOL KIT		1	
9	579 62 13-01	WIRING ASSY		1	8, 10

A 536LiR
CUTTING

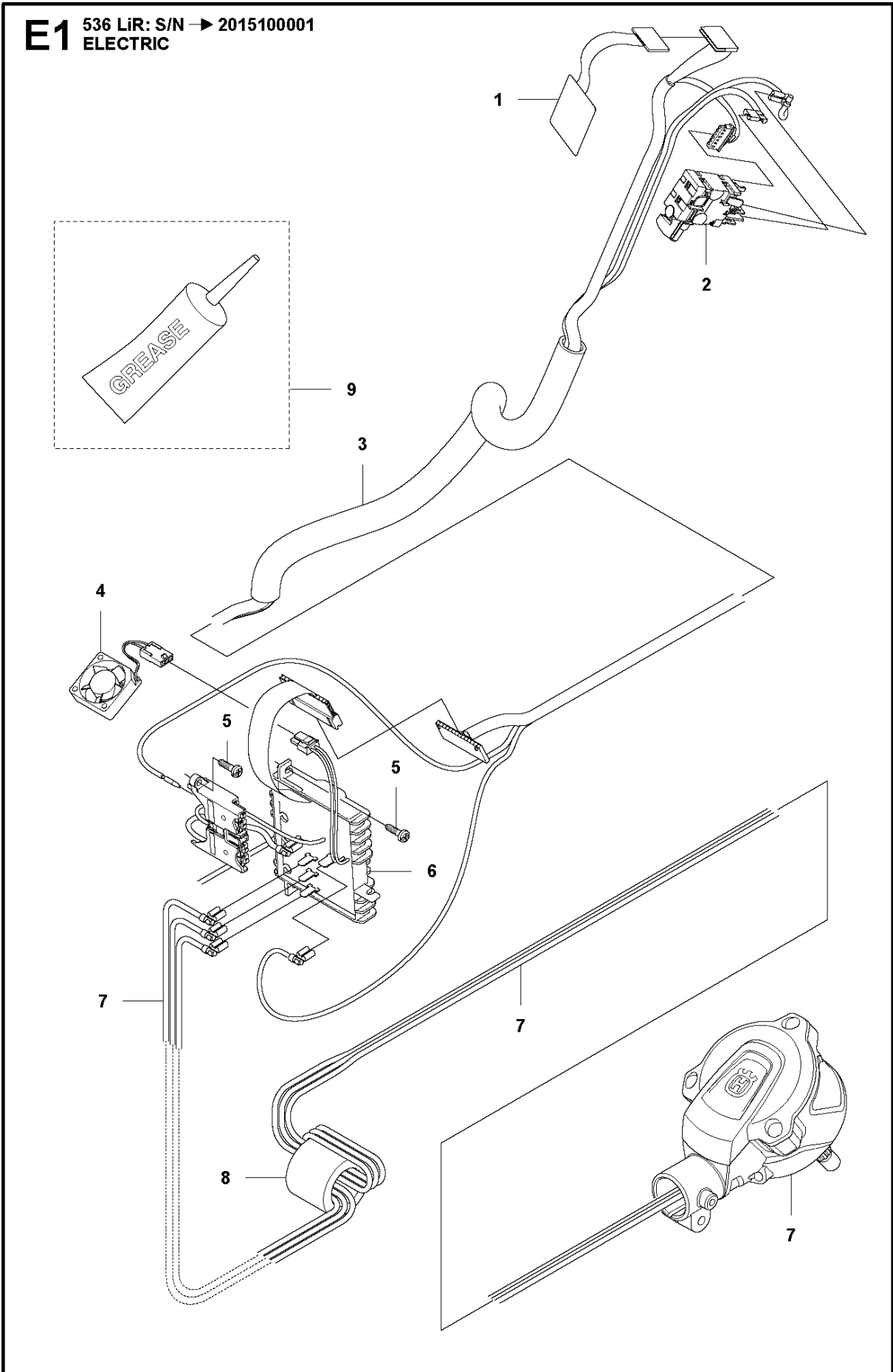


CUTTING EQUIPMENT

536 LiR

Ref	Part No	Description	Remark	QTY	KIT
1	574 30 69-01	CLAMP		1	
2	503 93 55-01	CLAMP.GUARD		1	1
3	725 23 70-71	SCREW EHHM		1	1
4	503 20 14-12	SCREW IHSCFMO		1	1
5	577 01 83-03	TRIMMER GUARD ASSY		1	
6	574 52 34-01	KNIFE		1	5
7	503 21 07-16	SCREW IH SCT		2	5
8	577 02 21-03	MOTOR ASSY		1	
9	503 20 07-78	SCREW IHSCFM		1	
10	578 78 93-01	NUT		1	

E1 536 LiR: S/N → 2015100001
ELECTRIC

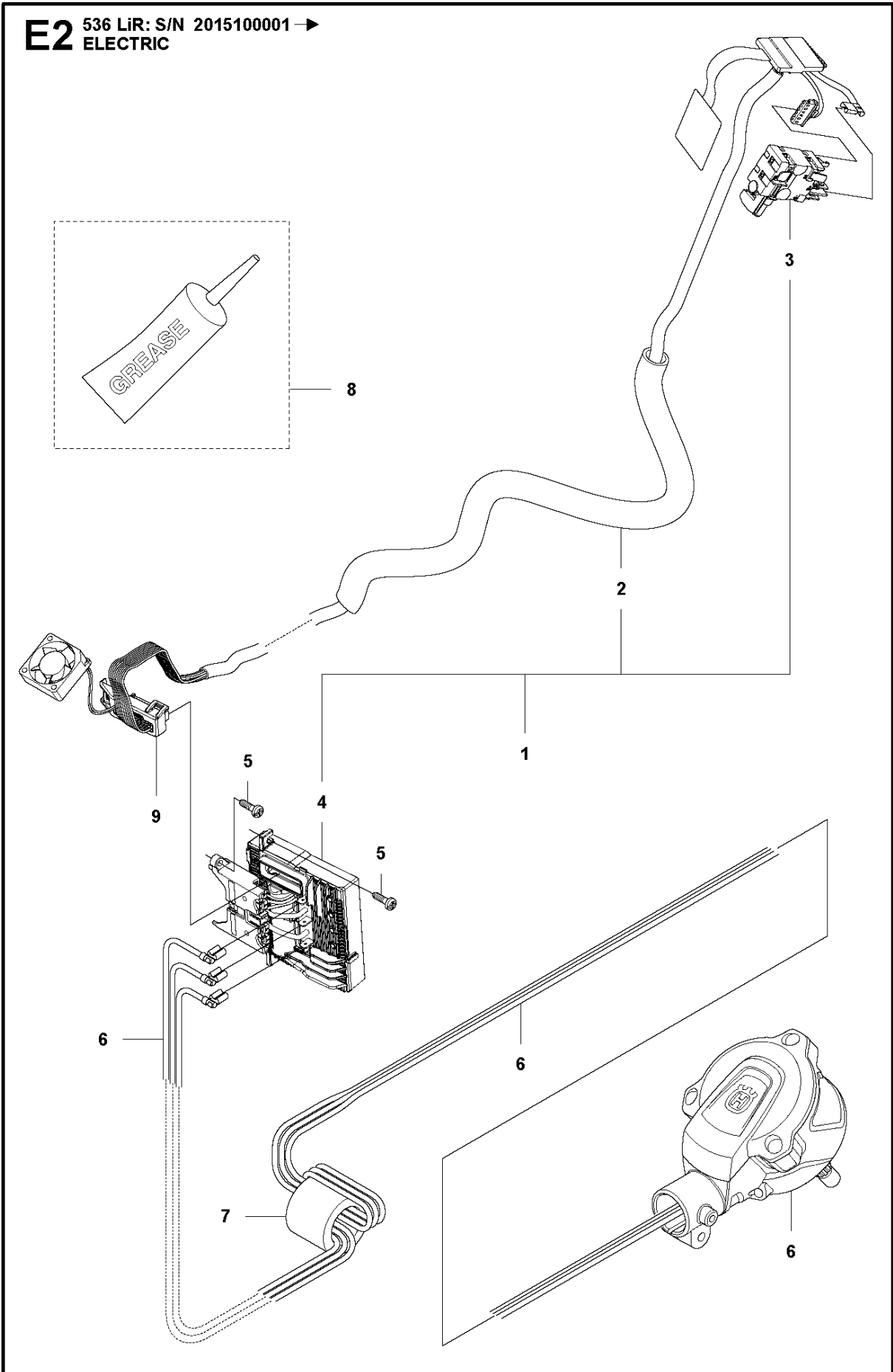


ELECTRICAL

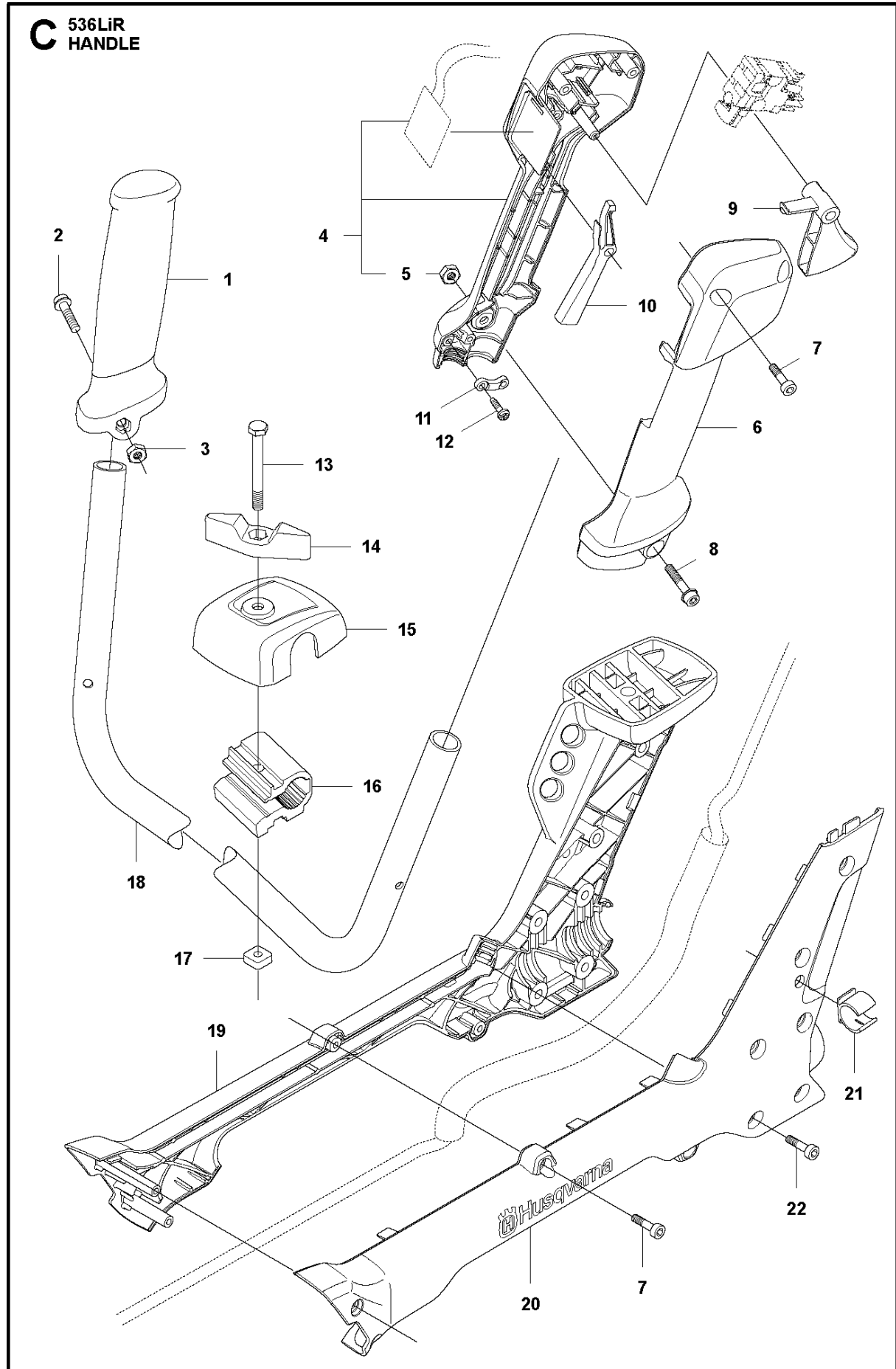
536 LiR

Ref	Part No	Description	Remark	QTY KIT
1	585 85 55-01	KEYPAD		1
2	577 03 38-01	TRIGGER SWITCH		1
3	577 98 35-01	WIRING ASSY		1
4	577 86 37-01	FAN		1
5	503 21 28-13	SCREW CCRPANT		4
6	578 40 09-01	CONTROL UNIT	Ended. Replaced by kit 588 21 53-01 Control Unit Kit. See SB-1500008 for application	1
7	582 78 31-01	MOTOR KIT		1
8	577 97 66-01	FERRITE CORE		1
9	588 17 64-01	GREASE	See SB-1500008 for application instruction	1

E2 536 LiR: S/N 2015100001 →
ELECTRIC



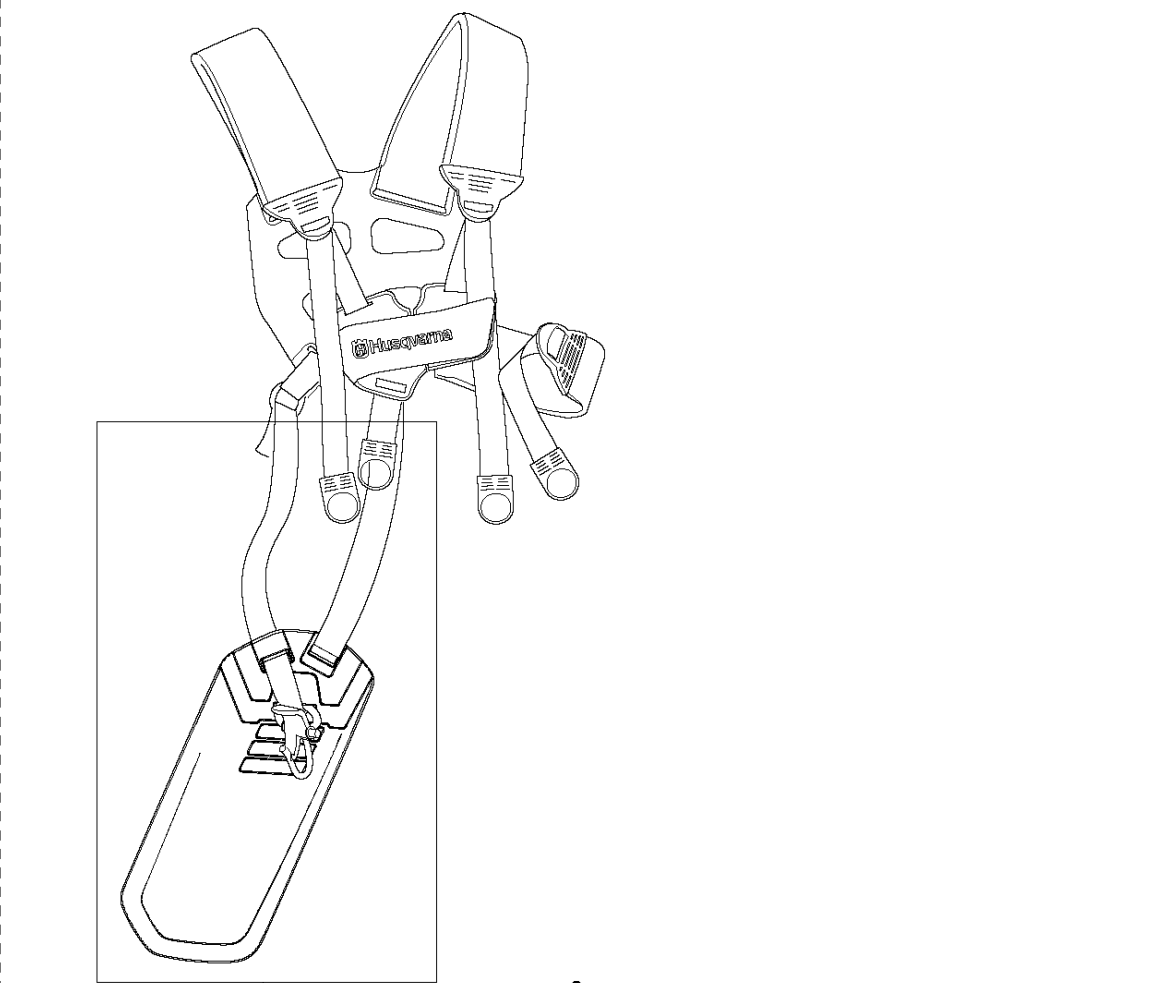
Ref	Part No	Description	Remark	QTY	KIT
1	588 21 53-01	CONTROL UNIT		1	
2	585 37 12-01	WIRING ASSY		1	1
3	578 32 69-01	TRIGGER SWITCH		1	1
4	586 32 32-01	CONTROL UNIT		1	1
5	503 21 28-13	SCREW CCRPANT		4	
6	582 78 31-01	MOTOR KIT		1	
7	588 17 64-01	GREASE	See SB-1500008	1	
8	577 97 66-01	FERRITE CORE		1	
9	587 32 72-01	BRACKET		1	



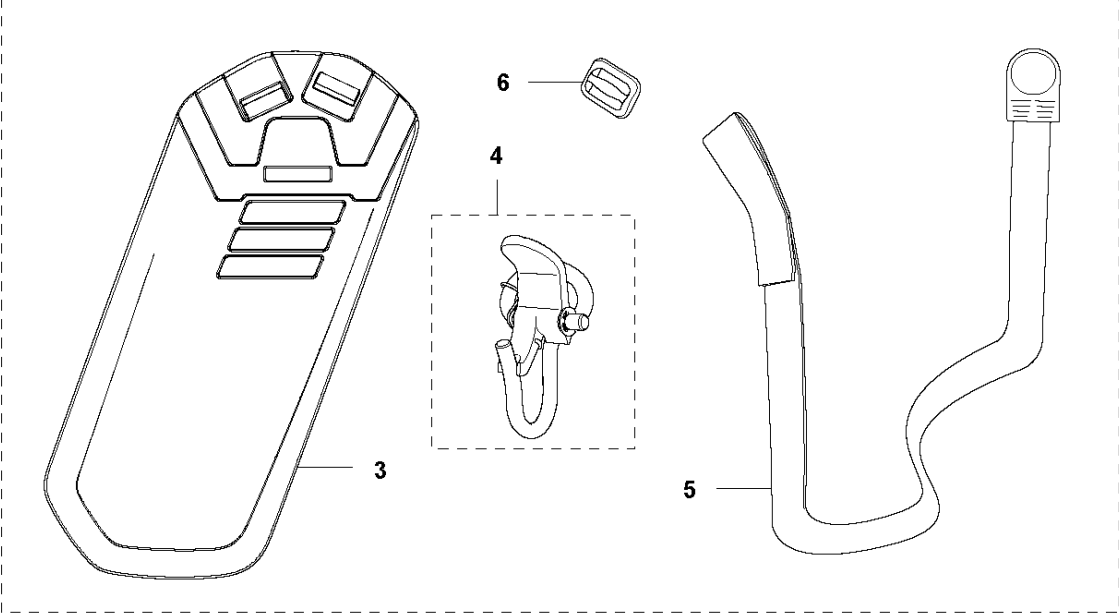
Ref	Part No	Description	Remark	QTY KIT
1	537 17 28-02	HANDLE		1
2	503 20 02-45	SCREW IHSCFM		1
3	731 23 14-01	HEXAGON NUT		1
4	579 32 38-01	HANDLE HALF		1
5	731 23 14-01	HEXAGON NUT		1
6	577 18 35-01	HANDLE HALF		1
7	579 21 19-01	SCREW IHSCFM		7
8	503 20 07-35	SCREW IHSCFM		1
9	577 18 37-01	THROTTLE CONTROL		1
10	577 22 37-01	THROTTLE LOCKOUT		1
11	577 88 34-01	FASTENER		2
12	503 21 28-13	SCREW CCRPANT		4
13	725 23 84-81	SCREW EHHM		1
14	502 20 38-01	KNOB		1
15	576 22 01-01	COVER		1
16	544 02 09-01	CLIP		1
17	502 19 71-01	SQUARE NUT		1
18	537 36 00-02	HANDLEBAR		1
19	577 24 53-01	WEAR PROTECTION		1
20	577 18 39-01	WEAR PROTECTION		1
21	578 12 79-01	CLIP		1
22	503 20 07-78	SCREW IHSCFM		6

G 536LiR
HARNESS

1



2

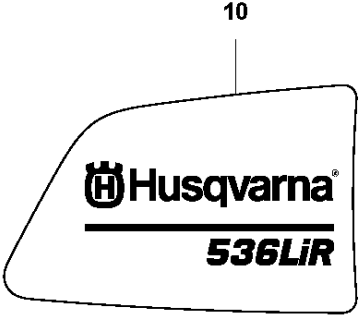
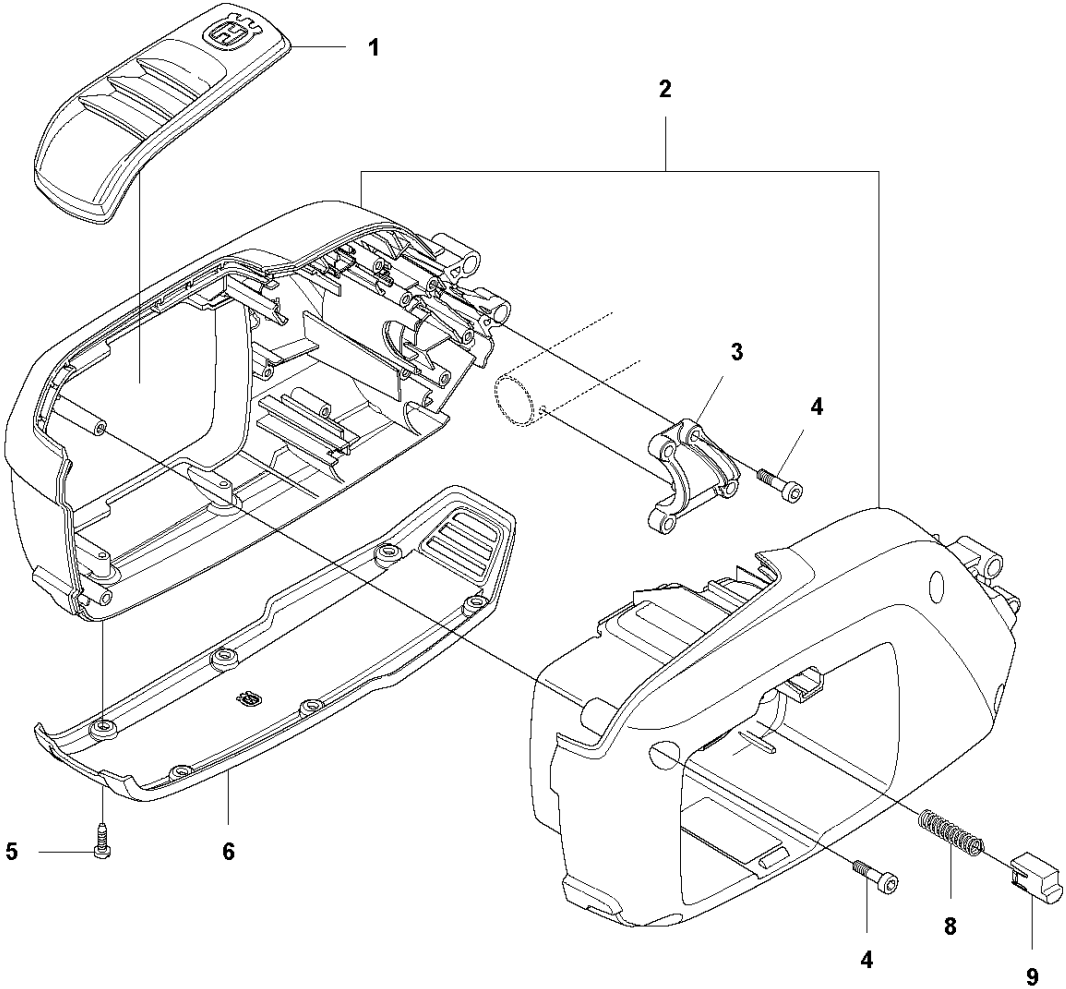


HARNESS

536 LiR

Ref	Part No	Description	Remark	QTY	KIT
1	537 27 57-05	HARNESS		1	
1	537 27 57-06	HARNESS	US	1	
2	587 83 40-01	HIP PAD		1	
3	579 49 14-01	HIP PAD		1	2
4	502 02 28-05	WELT HOOK		1	2
5	503 99 61-03	BAND		1	2
6	537 28 70-01	HARNESS		1	2

D 536LiR
BATTERY HOUSING

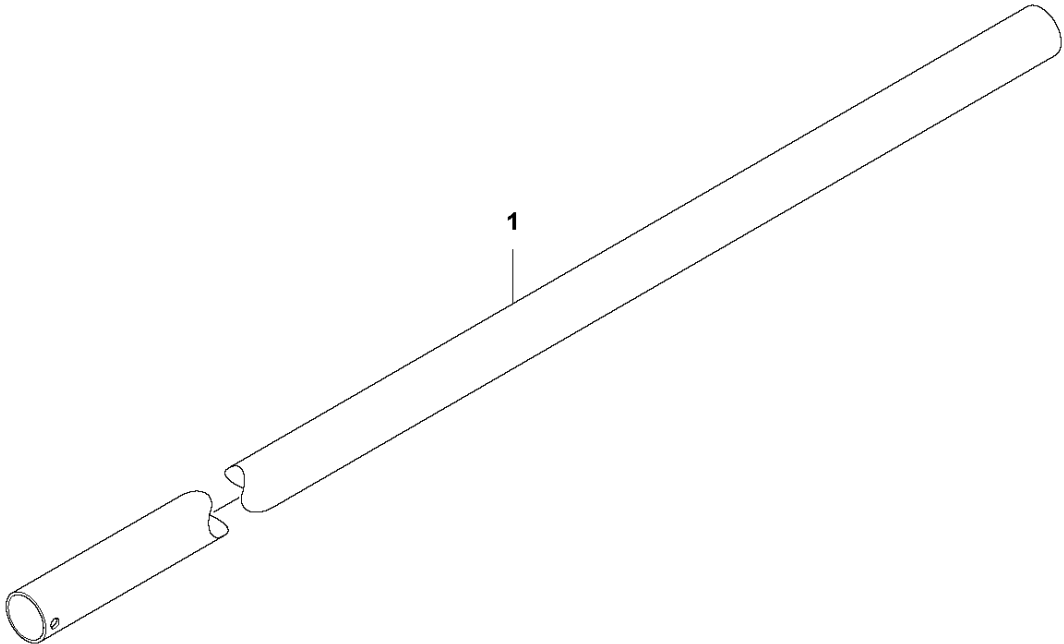


HOUSING

536 LiR

Ref	Part No	Description	Remark	QTY KIT
1	577 01 41-01	COVER		1
2	582 70 14-01	HOUSING		1
3	577 02 22-01	CLAMP		1
4	579 21 19-01	SCREW IHSCT		8
5	503 21 28-13	SCREW CCRPANT		6
6	577 01 42-01	SKID PLATE		1
8	585 48 00-01	SPRING		1
9	577 99 66-01	PUSH BUTTON		1
10	579 00 62-03	DECAL		1

B 536LiR
TUBE



TUBE

536 LiR

Ref	Part No	Description	Remark	QTY KIT
1	577 06 14-01	TUBE		1

Illustrated Parts List - IPL Update



Product Name(s)

536LiR

Description of change

IPL updates

Comments

Parts has been replaced by Spare Part Kit

Introduced from

Serial number / Date	Remark

IPL updates

Page Title	Ref. no	New part no	Name	Excl. part no.	Remark
D	2	582 70 14-01	Housing	577 00 76 02	New Spare Part Kit
D	7		Housing	577 01 30-01	Removed, new kit pos 2
E1	9		Grease		Updated Remark with SB-B1500023
E1	7	582 78 31-01	Motor Assy	577 02 21-03	New Spare Part Kit
E2	8		Grease		Updated Remark with SB-B1500023
E2	6	582 78 31-01	Motor Assy	577 02 21-03	New Spare Part Kit