

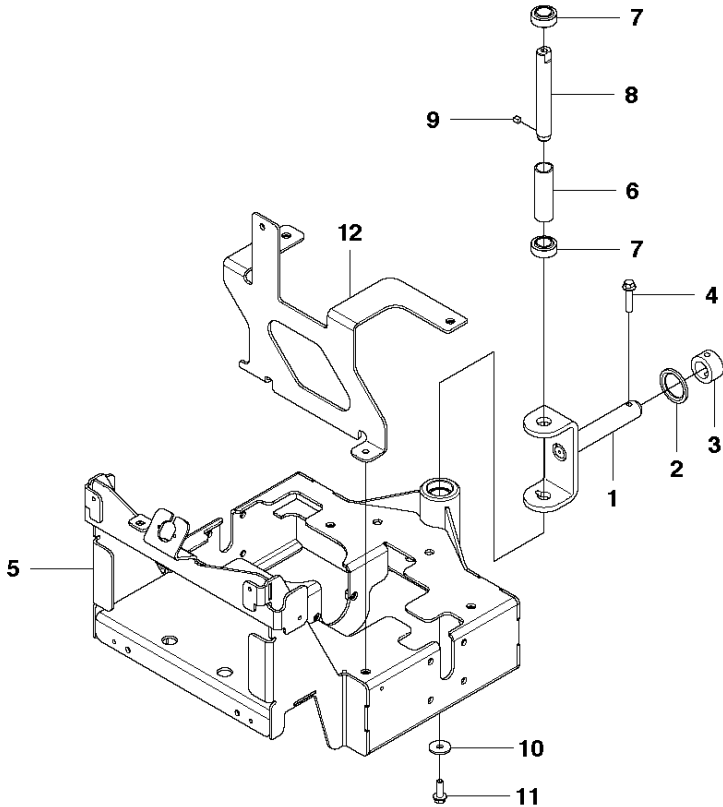


SPARE PARTS LIST

RIDERS

RIDER BATTERY, 967187001

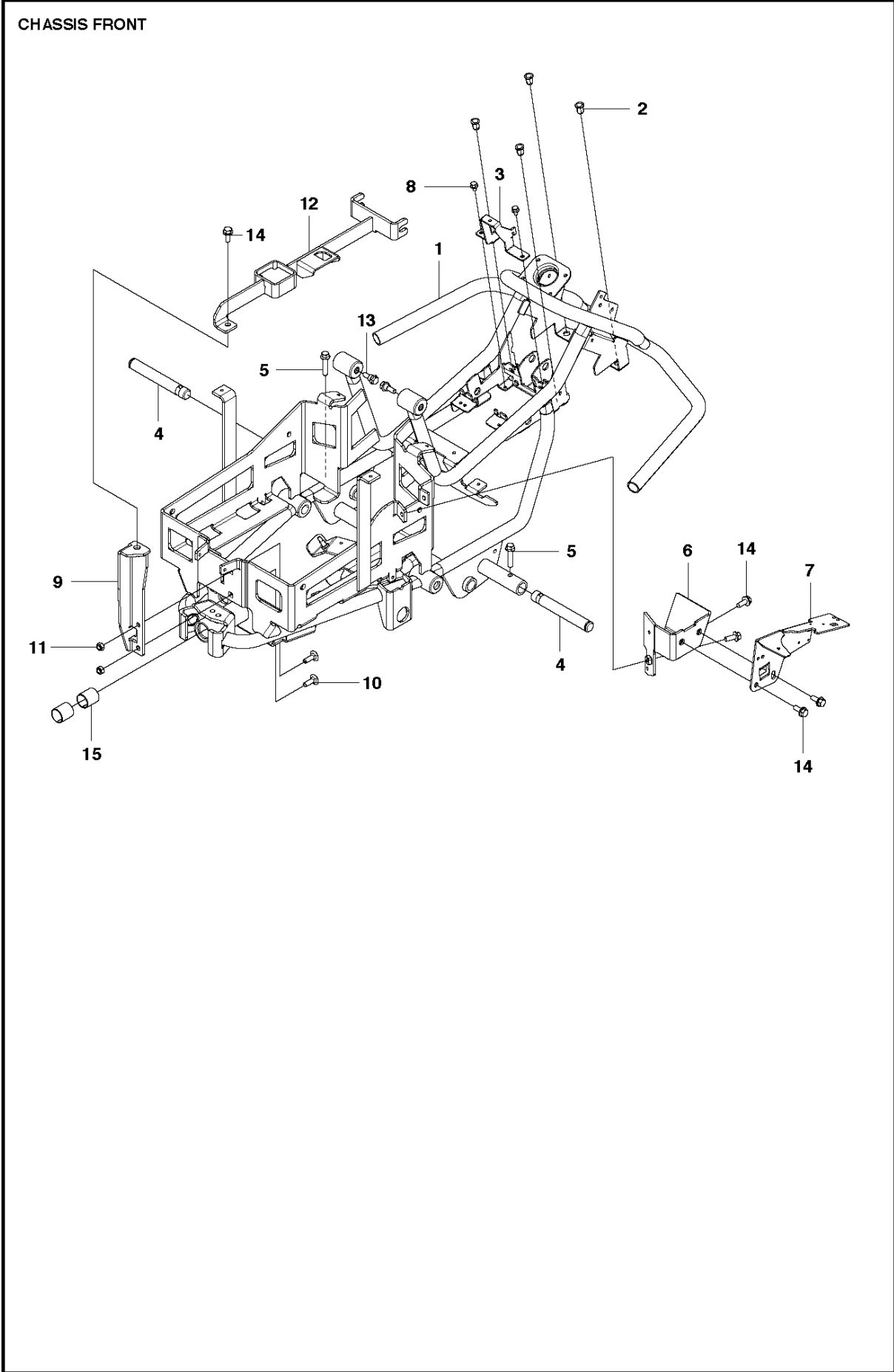
CHASSIS REAR



CHASSIS & ENCLOSURES

RIDER BATTERY, 967187001

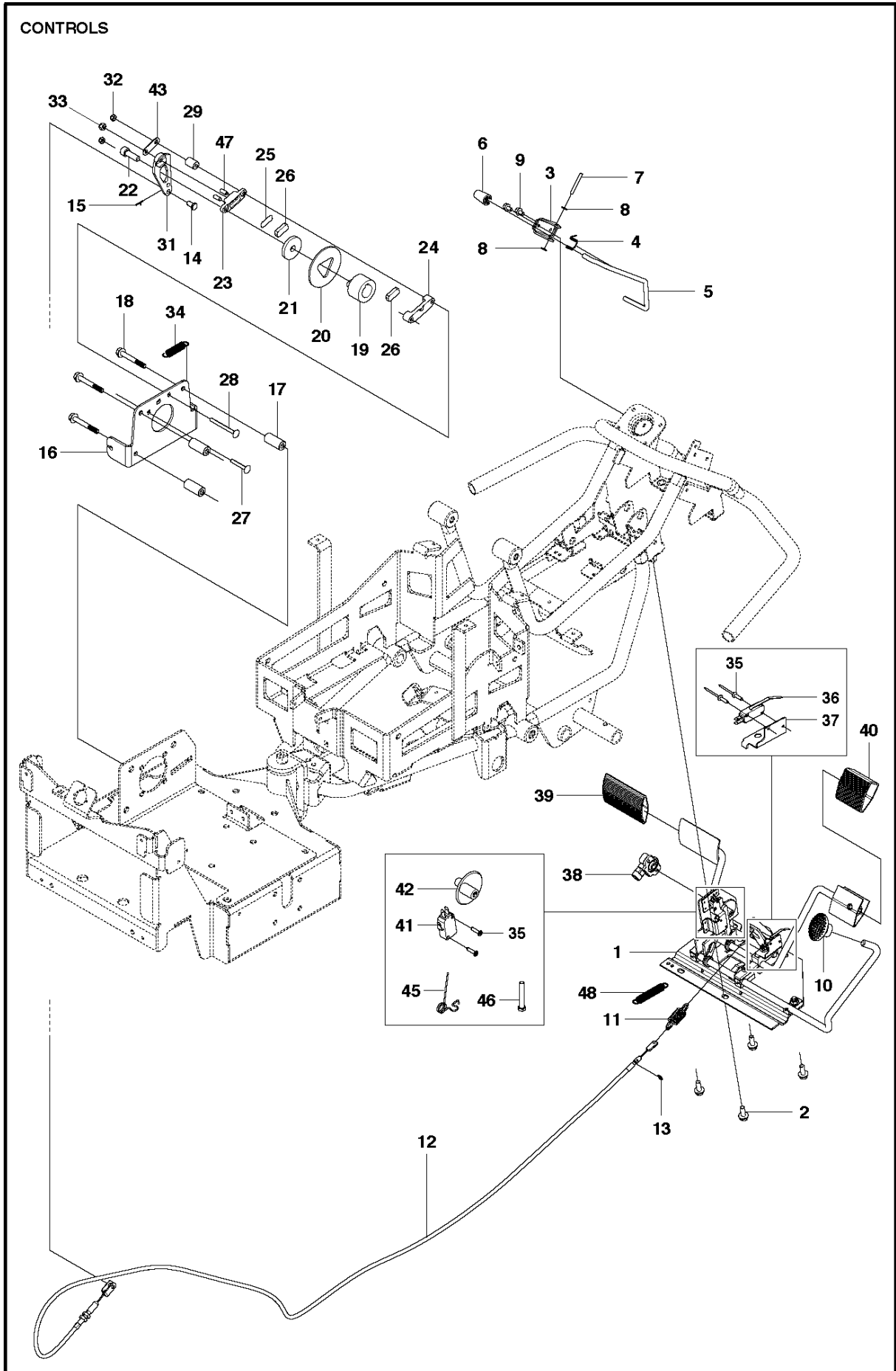
Ref	Part No	Description	Remark	QTY KIT
1	577 72 61-01	SWING AXLE		1
2	522 42 53-01	SPACER		1
3	522 42 52-01	STOP SLEEVE		1
4	725 24 59-61	SCREW EHHFT		1
5	578 24 02-01	FRAME		1
6	578 23 87-01	HUB SLEEVE		1
7	574 36 85-01	BEARING		2
8	578 22 82-01	SHAFT		1
9	577 70 89-01	KEY		1
10	544 22 16-01	WASHER		1
11	577 21 65-01	SCREW		1
12	578 23 85-01	SHEET		1



CHASSIS & ENCLOSURES

RIDER BATTERY, 967187001

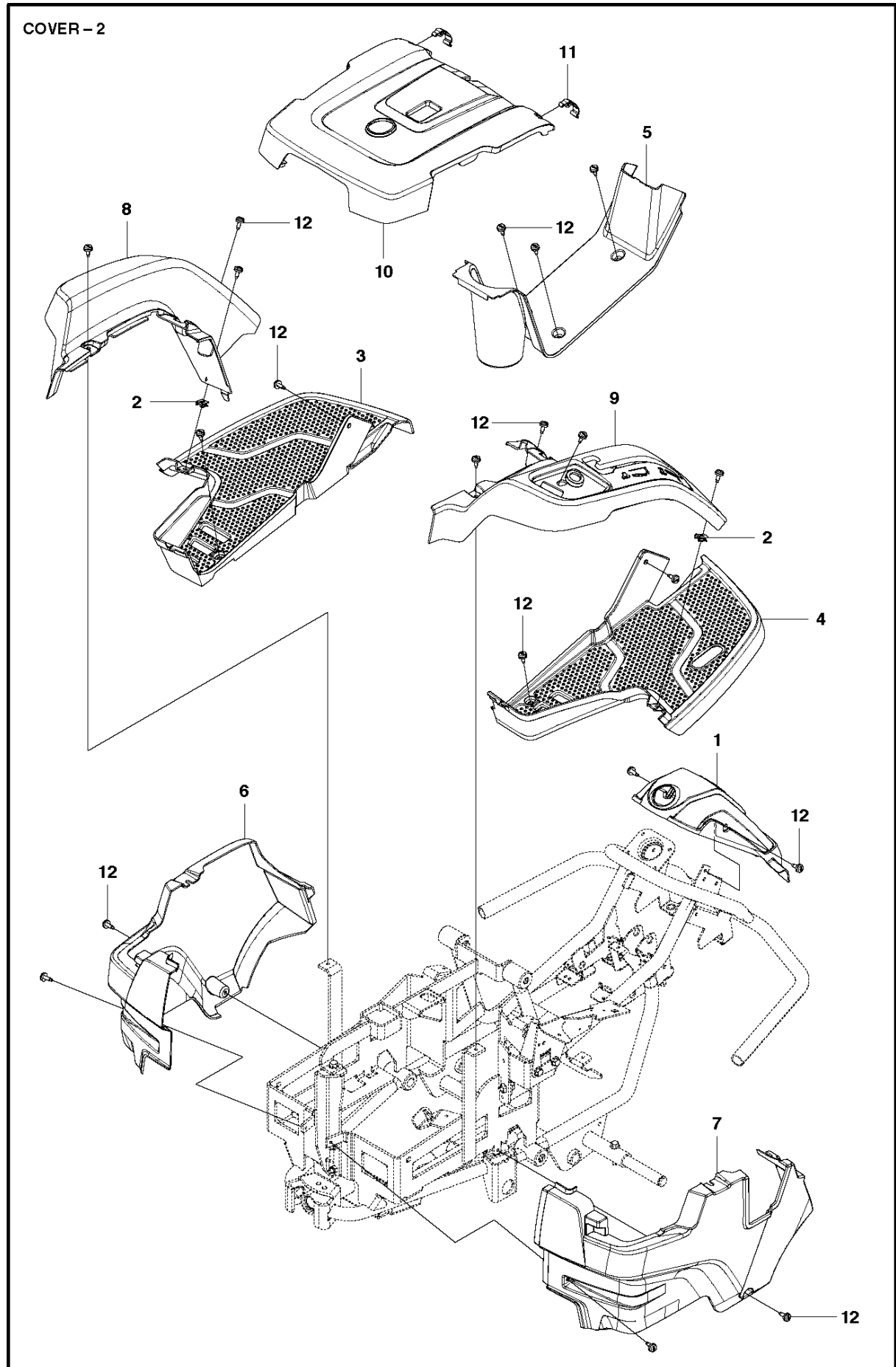
Ref	Part No	Description	Remark	QTY KIT
1	578 14 23-02	CHASSIS		1
2	506 91 62-01	BLIND RIVET NUT		4
3	578 34 37-01	BRACKET		1
4	535 47 08-01	WHEEL AXLE		2
5	725 24 59-61	SCREW EHHFT		2
6	578 34 16-01	BRACKET		1
7	578 34 18-01	SHEET		1
8	725 23 64-61	SCREW EHHFT		2
9	578 27 20-01	BRACKET		1
10	535 42 38-01	SCREW RSQM		2
11	732 21 18-01	LOCK NUT		2
12	578 26 46-02	SHEET		1
13	506 59 74-01	SCREW EHHFM		2
14	506 57 01-04	SCREW EHHFM		5
15	506 98 61-01	GLIDLAGER		2



CONTROLS

RIDER BATTERY, 967187001

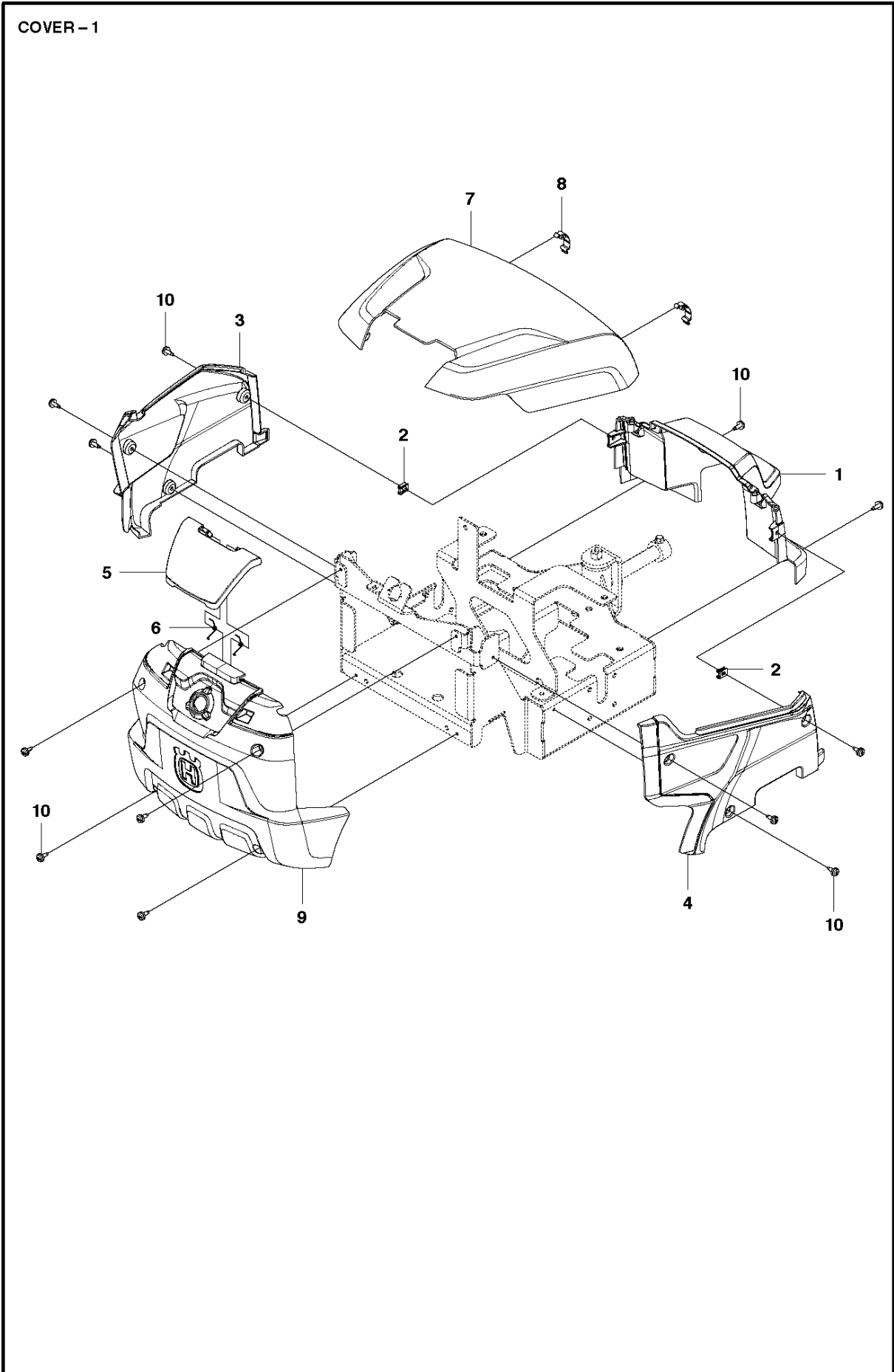
Ref	Part No	Description	Remark	QTY KIT
1	579 00 76-01	PEDAL PLATE		1
2	506 57 01-04	SCREW EHHFM		4
3	506 53 86-01	BRACKET		1
4	506 53 89-01	SPRING		1
5	523 34 01-01	LEVER		1
6	544 36 70-01	PUSH BUTTON		1
7	506 53 88-01	SHAFT		1
8	735 58 35-01	WASHER		2
9	725 23 64-61	SCREW EHHFT		2
10	586 72 74-01	KNOB		1
11	586 34 02-01	SPRING		1
12	578 36 06-01	BRAKE WIRE		1
13	735 31 09-20	HARNESS		1
14	721 83 99-01	CLEVIS PIN		1
15	721 61 52-01	SPLIT PIN		1
16	578 36 04-01	BRACKET		1
17	578 36 05-01	DISTANCE		3
18	506 57 01-08	SCREW EHHFM		3
19	578 36 03-01	HUB		1
20	586 15 35-01	DISC		1
21	539 10 65-04	WASHER		1
22	502 23 36-01	SCREW IHSCM		1
23	578 49 72-01	CALIPER		1
24	578 49 77-01	HUB CAP		1
25	578 49 75-01	PLATE		1
26	578 49 76-01	BRAKE		2
27	727 63 78-01	SCREW RSQM		1
28	727 63 83-01	SCREW RSQM		1
29	578 49 71-01	SPACER		1
31	578 49 70-01	ARM		1
32	732 21 16-01	NUT		2
33	578 49 66-01	LOCKING NUT		1
34	506 53 56-03	DRAW SPRING		1
35	544 44 07-01	RIVET		4
36	574 31 61-01	SWITCH		1
37	544 41 57-01	BRACKET		1
38	577 92 69-01	SENSOR		1
39	586 96 64-02	PEDAL		1
40	586 96 64-01	PEDAL		1
41	574 31 60-01	SWITCH		2
42	577 87 56-01	DRIVER		1
43	578 49 68-01	PLATE		1
43	734 11 54-41	WASHER		1
45	584 81 94-01	SPRING		1
46	725 24 62-51	SCREW EHHM		1
47	578 49 74-01	PEN		2
48	544 13 36-01	DRAW SPRING		1



COVER

RIDER BATTERY, 967187001

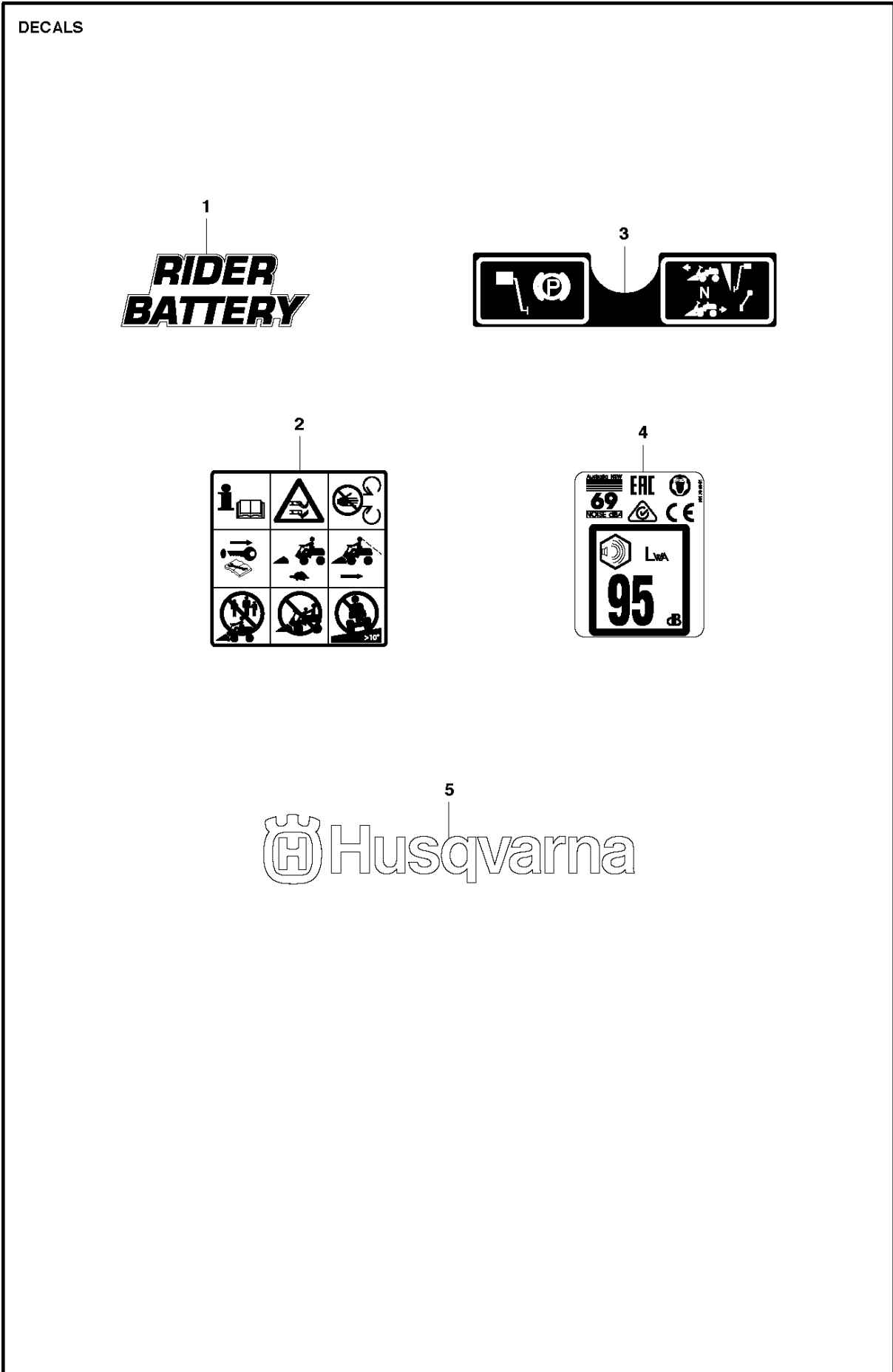
Ref	Part No	Description	Remark	QTY KIT
1	575 83 92-01	COVER		1
2	535 42 91-01	SPRING NUT		2
3	521 88 91-01	FOOT PLATE		1
4	521 88 92-01	FOOT PLATE		1
5	522 60 18-01	COVER		1
6	577 71 55-01	COVER		1
7	577 71 56-01	COVER		1
8	577 71 58-01	COVER		1
9	577 71 59-01	COVER		1
10	577 71 57-01	COVER		1
11	503 89 47-03	SNAP		2
12	544 40 05-01	SCREW		20



COVER

RIDER BATTERY, 967187001

Ref	Part No	Description	Remark	QTY KIT
1	577 71 60-01	COVER		1
2	535 42 91-01	SPRING NUT		2
3	577 71 61-01	COVER		1
4	577 71 62-01	COVER		1
5	577 71 65-01	COVER		1
6	578 86 52-01	SPRING		2
7	577 71 64-01	COVER		1
8	503 89 47-03	SNAP		2
9	577 71 63-01	COVER		1
10	544 40 05-01	SCREW		12

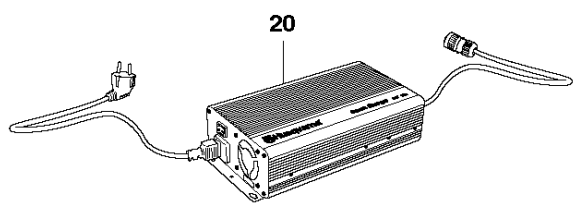
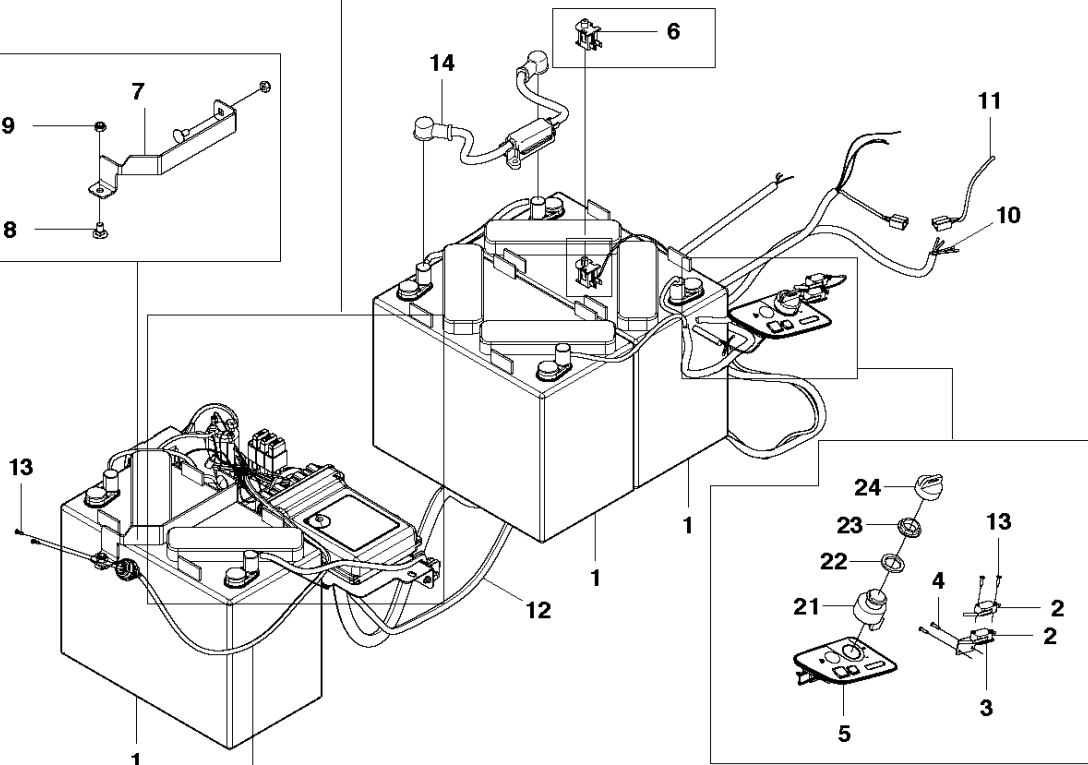
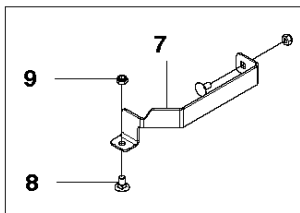
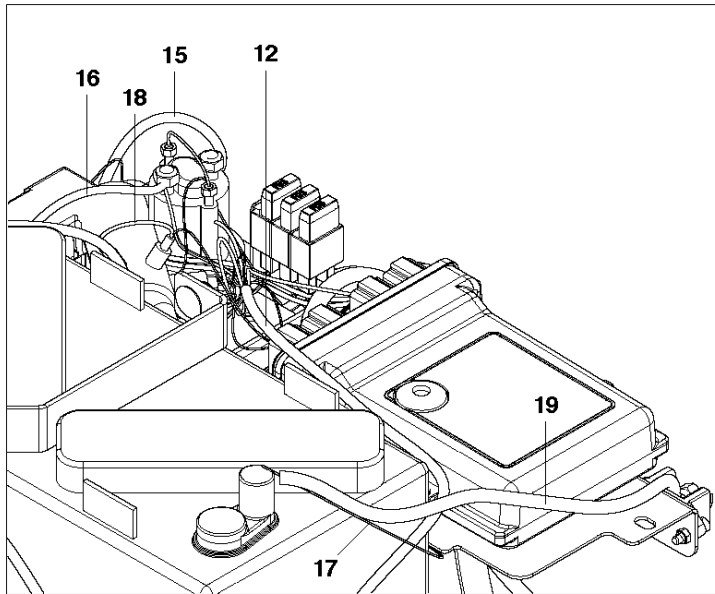


DECALS

RIDER BATTERY, 967187001

Ref	Part No	Description	Remark	QTY KIT
1	579 32 01-01	DECAL		1
2	587 30 46-01	LABEL		1
3	574 85 46-01	DECAL		1
4	581 78 40-01	LABEL		1
5	577 06 20-01	DECAL		2

ELECTRICAL SYSTEM - 1

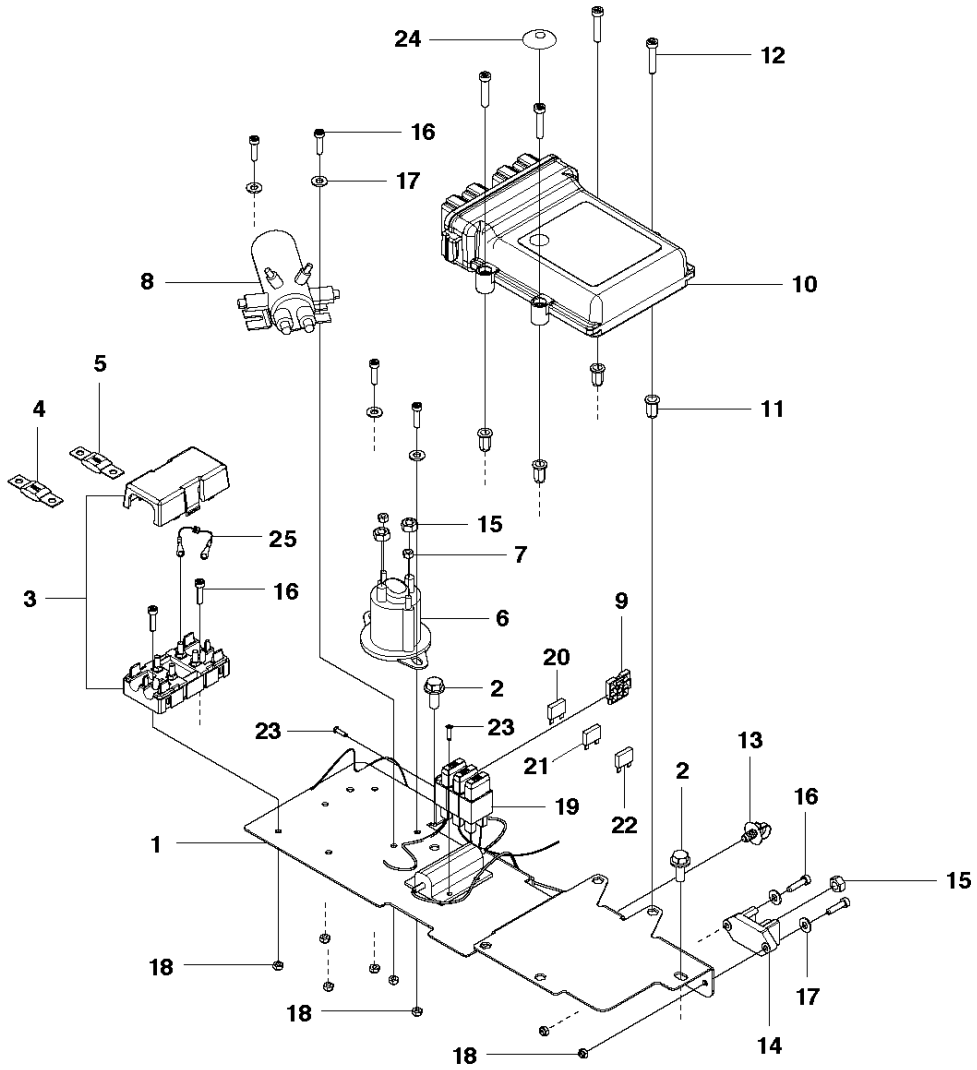


ELECTRICAL

RIDER BATTERY, 967187001

Ref	Part No	Description	Remark	QTY KIT
1	578 15 15-01	BATTERY		3
2	574 31 61-01	SWITCH		1
3	579 16 03-01	SHEET		1
4	722 79 23-09	RIVET		2
5	585 53 69-01	MODULE		1
6	539 10 75-23	SWITCH, SEAT		1
7	578 31 26-01	SHEET		1
8	727 64 49-51	SCREW RSQM		2
9	732 21 18-01	LOCK NUT		2
10	577 74 65-01	WIRING		1
11	579 26 75-01	WIRING		1
12	577 74 67-01	WIRING		1
13	544 44 07-01	RIVET		4
14	584 81 17-01	CABLE		1
15	579 34 86-01	CABLE		1
16	579 37 10-01	WIRING ASSY		1
17	577 74 66-01	WIRING		1
18	577 74 68-01	WIRING		1
19	577 74 69-03	CABLE		1
20	588 25 58-01	BATTERY CHARGER		1
21	577 98 50-01	KEY SWITCH		1
22	535 47 50-01	WASHER		1
23	535 47 61-01	NUT		1
24	535 47 60-01	IGNITION KEY		1

ELECTRICAL SYSTEM - 2

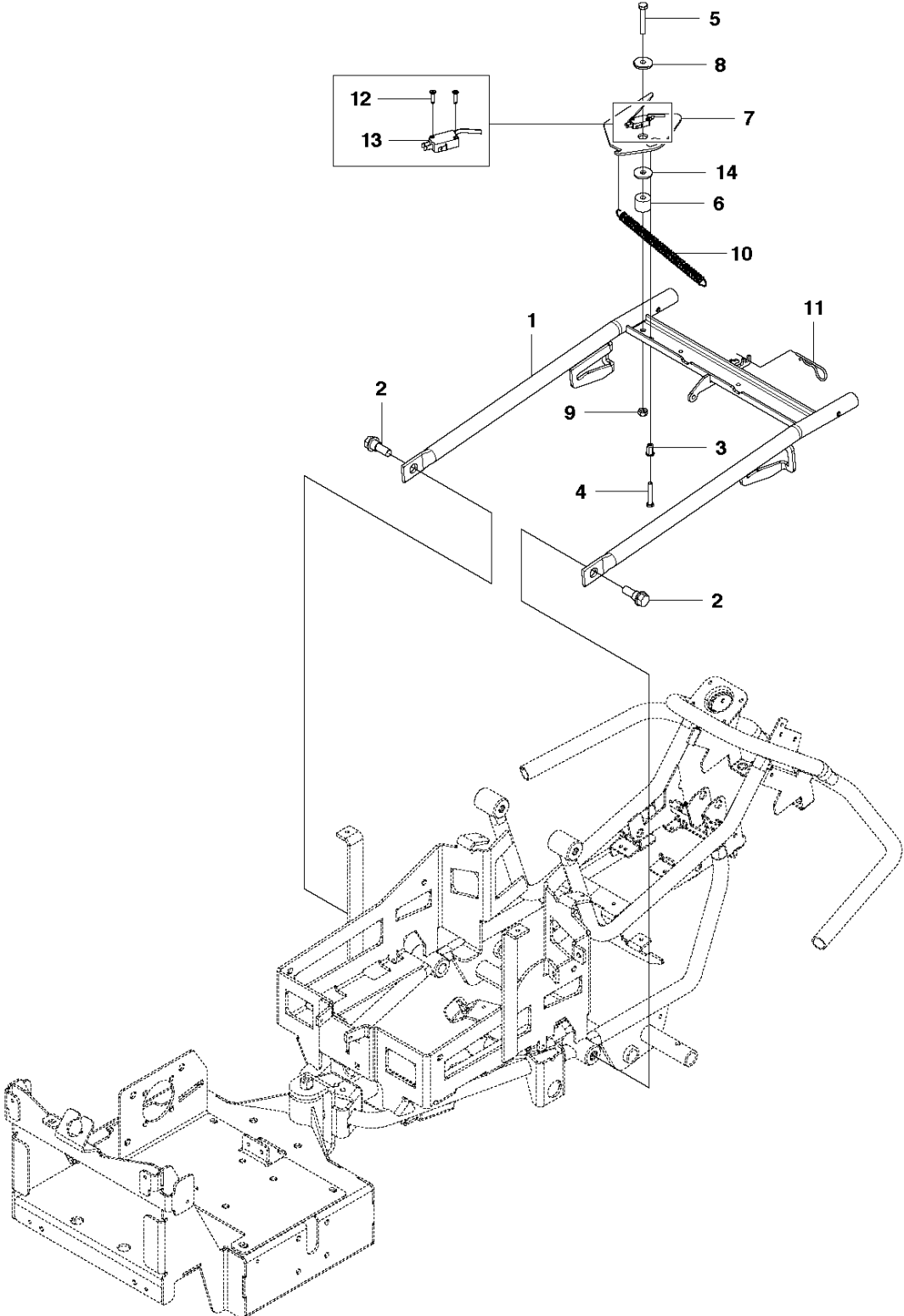


ELECTRICAL

RIDER BATTERY, 967187001

Ref	Part No	Description	Remark	QTY KIT
1	578 26 67-01	SHEET		1
2	506 57 01-04	SCREW EHHFM		2
3	578 26 37-01	FUSE HOLDER		1
4	578 26 38-01	FUSE		1
5	578 26 40-01	FUSE		1
6	577 98 52-01	CONTACTOR		1
7	731 23 14-01	HEXAGON NUT		2
8	578 37 72-01	CONTACTOR		1
9	501 00 75-01	CLIP		1
10	585 53 55-01	ELECTRONIC BOX		1
11	506 91 62-04	BLIND RIVET NUT		4
12	544 21 84-30	SCREW ITXSCM		4
13	579 31 74-01	STRAP		1
14	578 26 45-01	TERMINAL BLOCK		1
15	731 23 18-01	HEXAGON NUT		3
16	505 57 41-20	SCREW ITXSCM		8
17	734 11 56-01	WASHER		6
18	732 21 14-01	LOCK NUT		8
19	578 38 67-01	WIRING		1
20	578 26 41-01	FUSE		1
21	578 26 41-02	FUSE		1
22	578 26 41-03	FUSE		1
23	722 79 26-09	RIVET		5
24	584 99 29-01	PLUG		1
25	587 83 94-01	DIODE		1

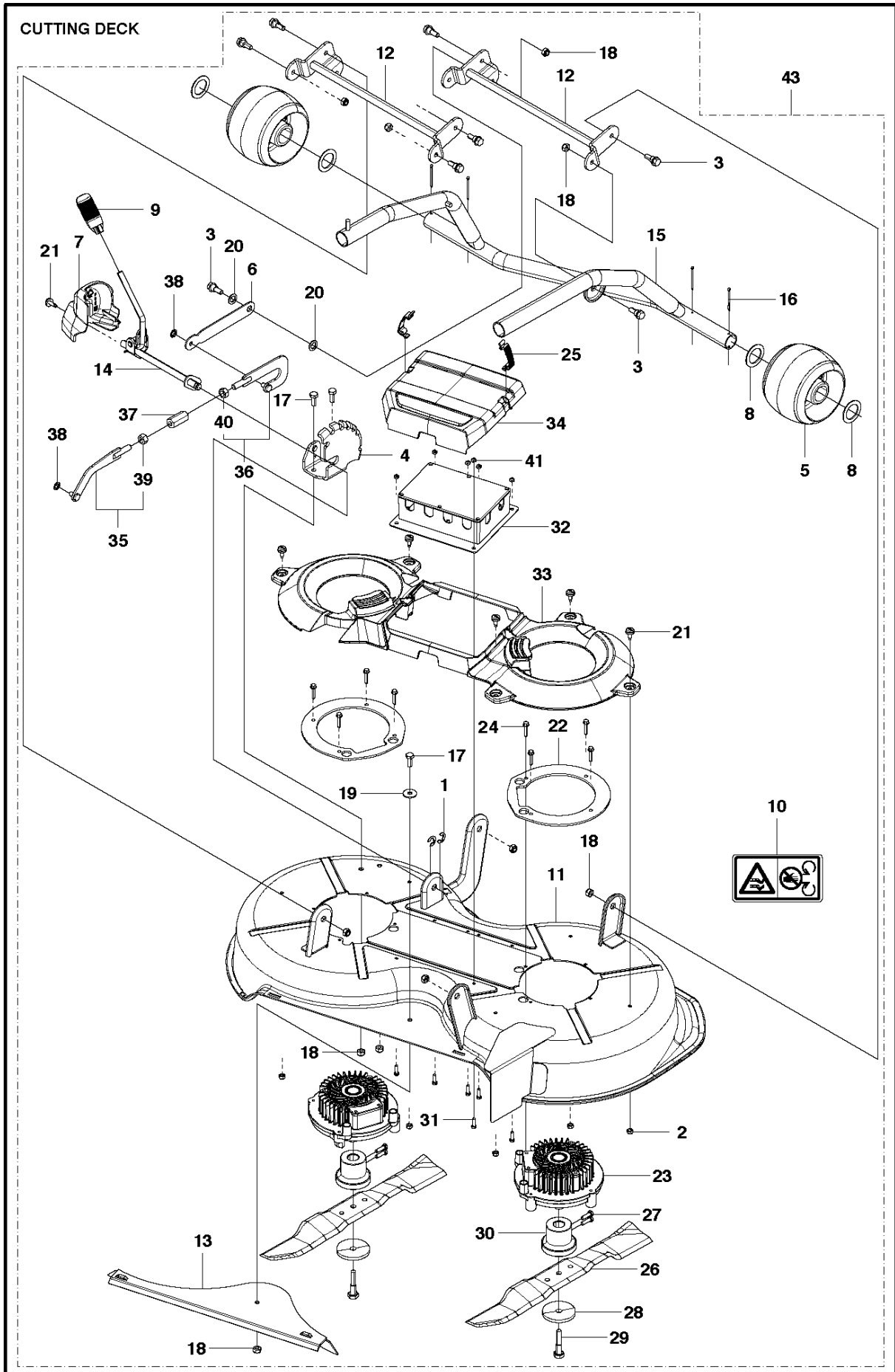
EQUIPMENT FRAME



FRAME

RIDER BATTERY, 967187001

Ref	Part No	Description	Remark	QTY KIT
1	584 83 30-02	EQUIPMENT FRAME		1
2	506 89 58-01	COLLAR SCREW		2
3	506 91 62-04	BLIND RIVET NUT		1
4	725 23 78-61	SCREW EHHFT		1
5	725 24 61-51	SCREW EHHM		1
6	579 18 49-01	DISTANCE		1
7	578 38 38-02	HOOK		1
8	506 91 87-02	WASHER		1
9	732 21 18-01	LOCK NUT		1
10	578 38 33-01	SPRING		1
11	721 68 02-51	SPRING COTTER		1
12	544 44 07-01	RIVET		4
13	574 31 61-01	SWITCH		1
14	544 22 16-01	WASHER		1

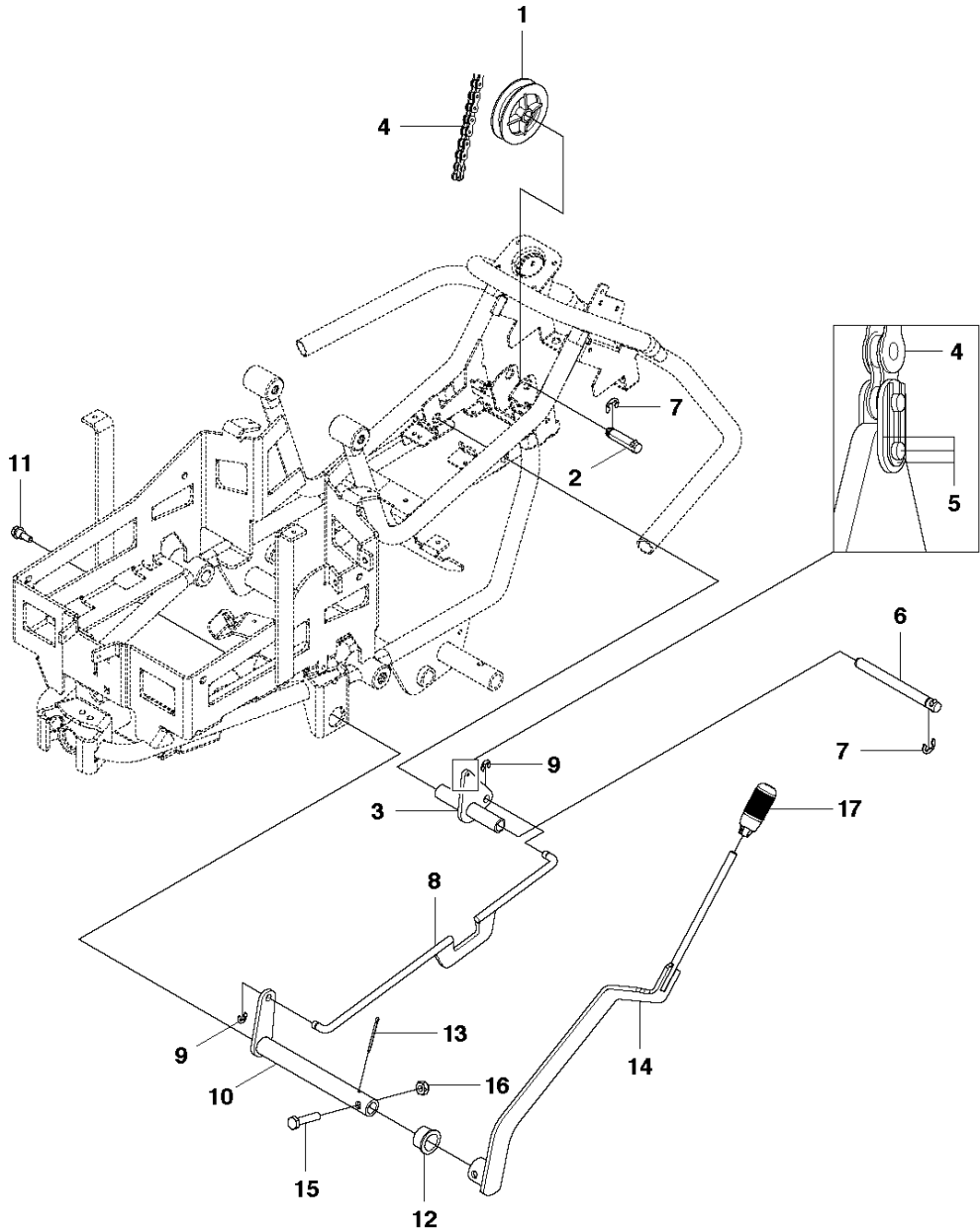


MOWER DECK / CUTTING DECK

RIDER BATTERY, 967187001

Ref	Part No	Description	Remark	QTY	KIT
1	735 31 15-20	E-CLIP		2	
2	732 21 16-01	NUT		5	
3	506 59 74-01	SCREW EHHFM		8	
4	522 52 32-01	BRACKET		1	
5	522 73 59-01	WHEEL		2	
6	525 85 57-01	ARM		1	
7	573 97 18-01	COVER		1	
8	574 26 45-01	WASHER		4	
9	574 32 88-01	HANDLE		1	
10	574 51 00-01	DECAL		2	
11	581 06 17-01	CUTTING DECK		1	
12	583 88 74-01	CROSSBAR		2	
13	574 04 17-01	PLUG		1	
14	575 80 21-01	LEVER ASSY		1	
15	578 13 57-01	DECK FRAME		1	
16	721 61 87-01	SPLIT PIN		4	
17	725 24 51-71	SCREW EHHM		3	
18	732 21 18-01	LOCK NUT		11	
19	734 11 64-41	WASHER		1	
20	734 11 77-71	WASHER		2	
21	544 40 05-01	SCREW		6	
22	578 15 53-01	DISTANCE		2	
23	529 30 65-01	MOTOR		2	
24	725 23 39-61	SCREW EHHFT		8	
25	503 89 47-01	SNAP		2	
26	581 08 35-01	BLADE		2	
27	579 56 82-01	SCREW		4	
28	506 79 23-01	KNIFE PLATE		2	
29	579 18 27-01	COLLAR SCREW		2	
30	578 39 47-01	ADAPTER		2	
31	725 23 29-71	SCREW EHHM		6	
32	586 32 54-01	ELECTRONIC BOX		1	
33	578 99 42-01	COVER		1	
34	578 99 43-01	COVER		1	
35	579 20 21-01	SHEET		1	
36	578 14 21-01	SHEET		1	
37	579 23 78-01	ADJUSTMENT ROD		1	
38	735 58 52-00	WASHER		2	
39	579 22 05-01	NUT		1	35
40	731 23 20-01	HEXAGON NUT		1	36
41	732 21 14-01	LOCK NUT		6	
43	586 95 44-01	CUTTING DECK	Cutting deck Complete	1	

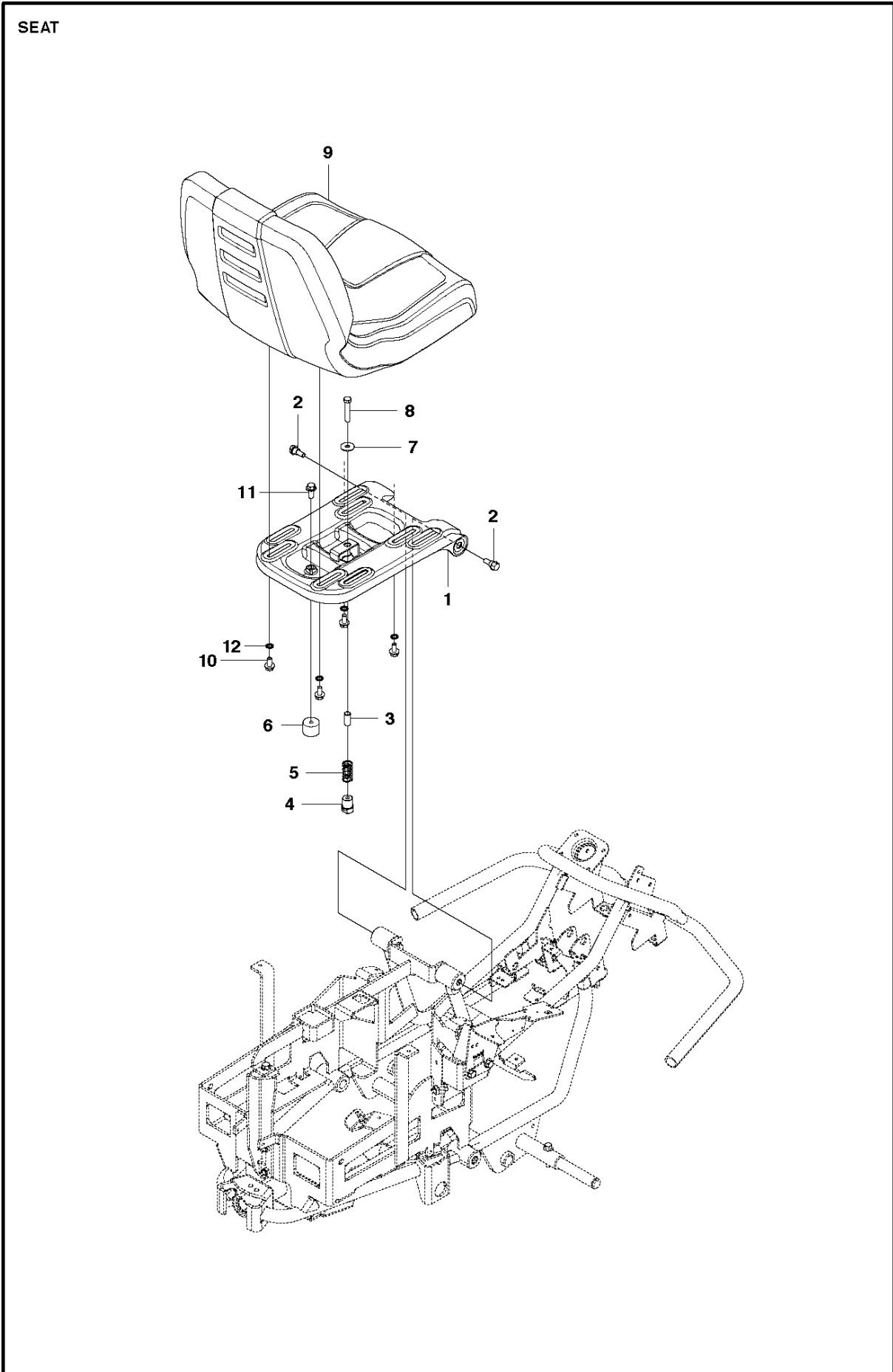
LIFTING SYSTEM



MOWER LIFT / DECK LIFT

RIDER BATTERY, 967187001

Ref	Part No	Description	Remark	QTY KIT
1	506 90 56-01	OFFSET PULLEY		1
2	525 40 45-01	SHAFT		1
3	578 28 79-01	LEVER ASSY		1
4	506 55 46-13	CHAIN		1
5	506 55 47-01	LINKAGE		1
6	525 40 44-01	SHAFT		1
7	735 31 18-20	E-CLIP		2
8	578 27 09-01	ROD		1
9	735 31 12-20	E-CLIP		2
10	578 24 54-01	LEVER ASSY		1
11	506 59 74-01	SCREW EHHFM		1
12	584 87 13-01	BEARING		1
13	721 61 87-01	SPLIT PIN		1
14	522 50 83-02	LEVER		1
15	725 25 00-51	SCREW EHHM		1
16	732 21 20-51	NUT		1
17	506 54 20-01	HANDLE		1

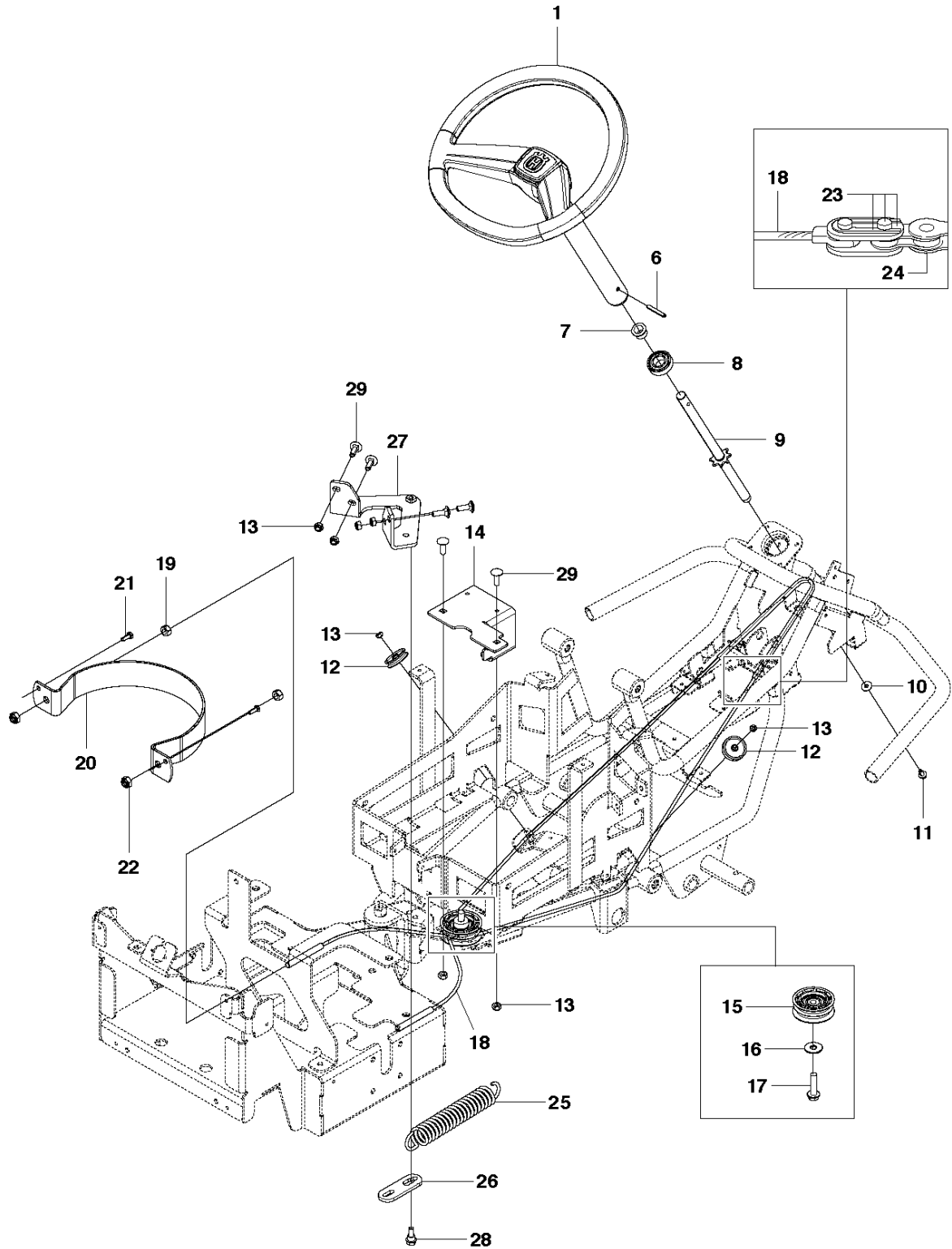


SEAT

RIDER BATTERY, 967187001

Ref	Part No	Description	Remark	QTY KIT
1	578 39 29-02	SHEET		1
2	506 59 74-01	SCREW EHHFM		2
3	506 90 99-02	SPACING TUBE		1
4	578 38 78-01	HUB		1
5	544 44 12-01	SPRING		1
6	544 25 21-02	ANTIVIBRATION ELEMENT		1
7	734 11 64-41	WASHER		1
8	725 24 60-51	SCREW EHHM		1
9	525 81 48-01	SEAT		1
10	506 57 01-03	SCREW EHHFM		4
11	506 57 01-04	SCREW EHHFM		1
12	735 21 64-00	LOCKWASHER		4

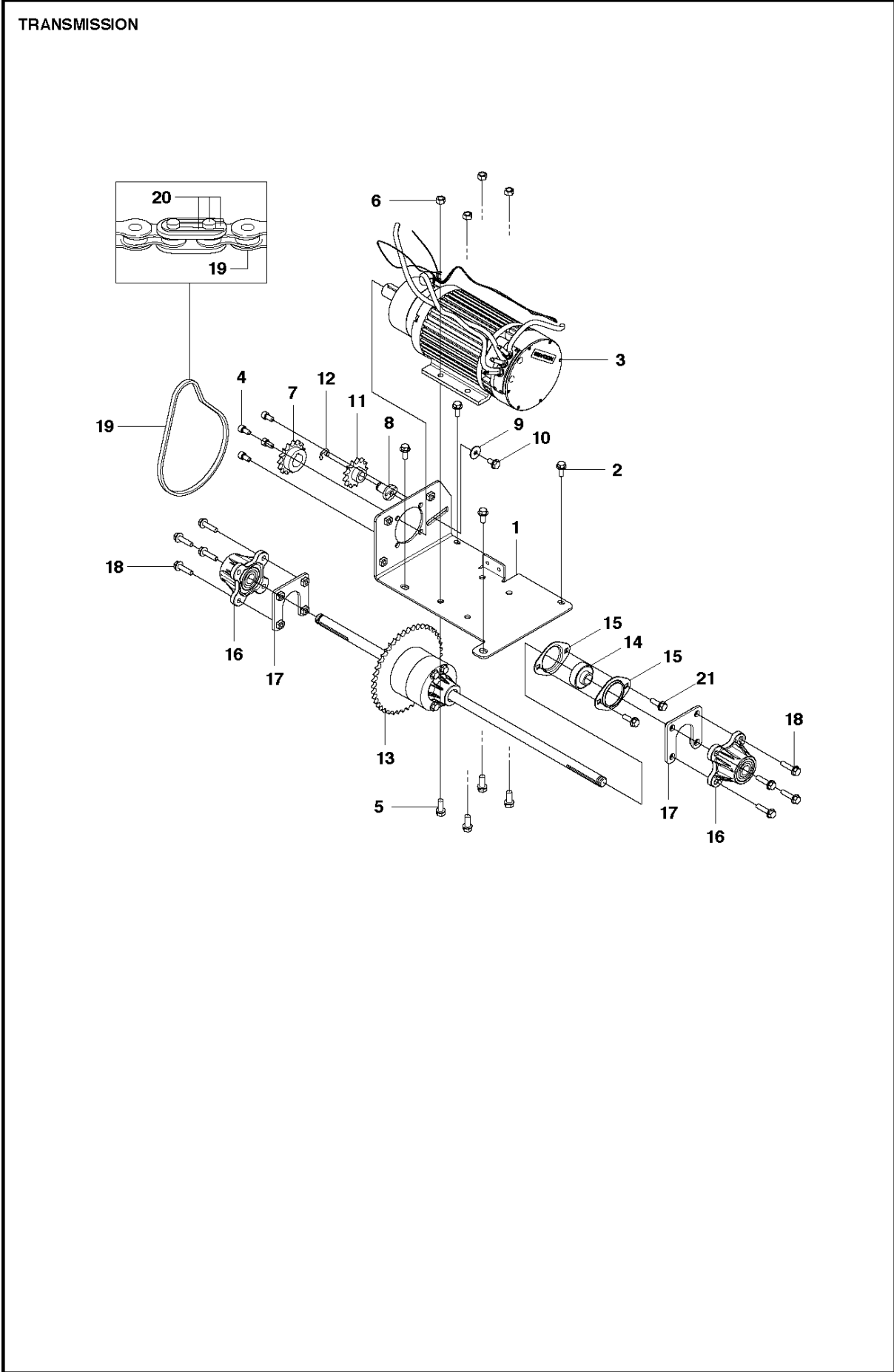
STEERING SYSTEM



STEERING

RIDER BATTERY, 967187001

Ref	Part No	Description	Remark	QTY KIT
1	581 19 37-01	STEERING SYSTEM		1
6	721 43 47-01	SPRING PIN		1
7	506 88 78-01	SPACER		1
8	738 21 04-04	BALL BEARING		1
9	581 56 67-01	STEERING ROD		1
10	734 11 54-41	WASHER		1
11	535 47 52-12	SCREW EHHFM		1
12	581 15 82-01	PULLEY		2
13	732 21 18-01	LOCK NUT		8
14	578 18 40-01	SHEET		1
15	576 49 25-02	PULLEY		1
16	734 11 74-41	WASHER		1
17	506 67 54-02	SCREW EHHFM		1
18	577 19 99-01	WIRE ASSY		2
19	731 23 20-01	HEXAGON NUT		2
20	525 40 43-01	GUIDE RAIL		1
21	725 23 68-61	SCREW EHHFT		2
22	732 21 20-51	NUT		2
23	506 55 47-01	LINKAGE		2
24	506 55 46-01	CHAIN		1
25	506 67 19-01	SPRING		1
26	578 18 43-01	LINK		1
27	578 18 41-01	SHEET		1
28	506 59 74-01	SCREW EHHFM		1
29	535 42 38-01	SCREW RSQM		6

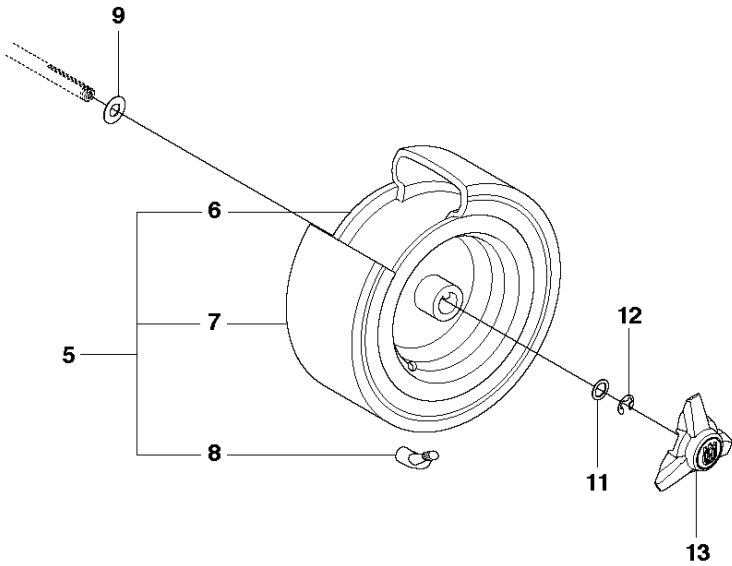
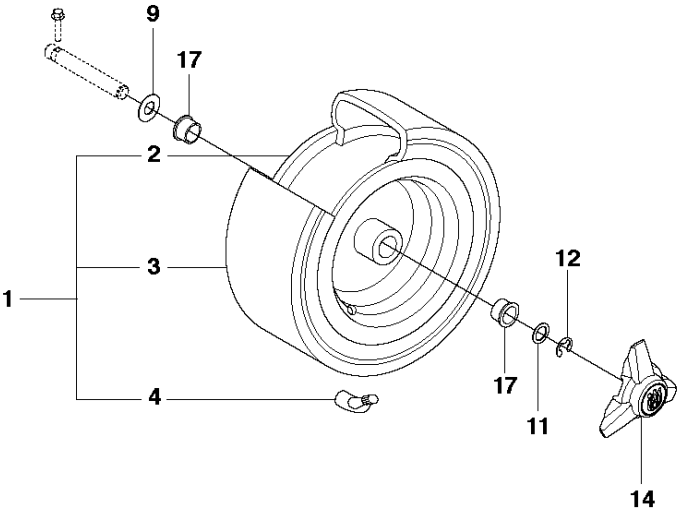
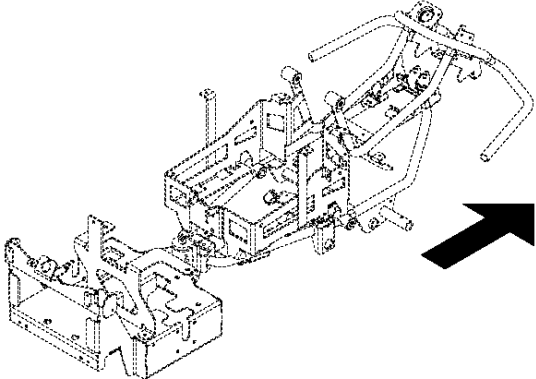


TRANSMISSION

RIDER BATTERY, 967187001

Ref	Part No	Description	Remark	QTY KIT
1	578 98 99-01	SHEET		1
2	506 57 01-04	SCREW EHHFM		4
3	577 99 50-01	MOTOR		1
4	725 54 49-01	SCREW IHSCM		4
5	578 27 16-01	SCREW		4
6	578 27 17-01	NUT		4
7	578 76 44-01	SPROCKET		1
8	578 33 96-01	HUB		1
9	734 11 64-41	WASHER		1
10	725 24 57-51	SCREW		1
11	578 33 94-01	SPROCKET		1
12	735 31 18-20	E-CLIP		1
13	578 06 47-01	GEARBOX		1
14	578 28 24-01	BALL BEARING		1
15	578 28 25-01	BEARING HOUSING		2
16	579 17 26-01	BEARING HOUSING		2
17	578 18 45-01	SHEET		2
18	506 57 01-06	SCREW EHHFM		8
19	578 38 04-01	CHAIN		1
20	578 38 13-01	LOCK		1
21	506 57 01-04	SCREW EHHFM		2

WHEELS



WHEELS & TIRES

RIDER BATTERY, 967187001

Ref	Part No	Description	Remark	QTY KIT
1	525 58 47-01	WHEEL		2
2	573 98 16-01	RIM		1
3	573 98 14-01	TYRE		1
4	523 03 47-01	VALVE		1
5	525 58 49-01	WHEEL		2
6	573 98 15-01	RIM		1
7	573 98 14-01	TYRE		1
8	523 03 47-01	VALVE		1
9	506 50 48-03	WASHER		4
11	506 50 48-05	WASHER		4
12	506 89 90-01	E-CLIP		4
13	544 35 35-01	HUB CAP		2
14	544 35 35-03	HUB CAP		2
17	574 67 17-01	BEARING		4