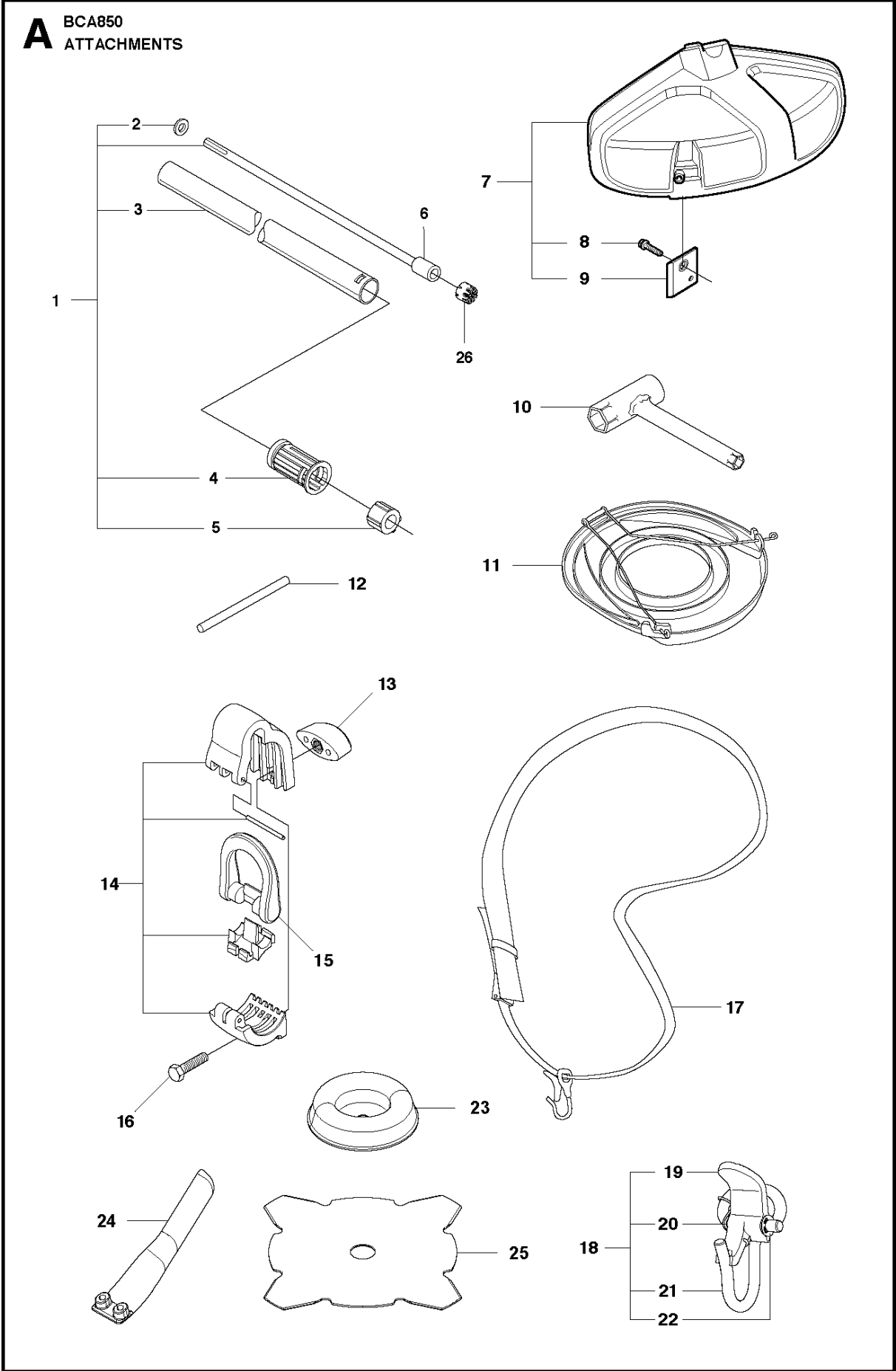




SPARE PARTS LIST

ACCESSORIES AND TOOLS

BRUSHCUTTER ATTACHMENT BCA850
(967185901)

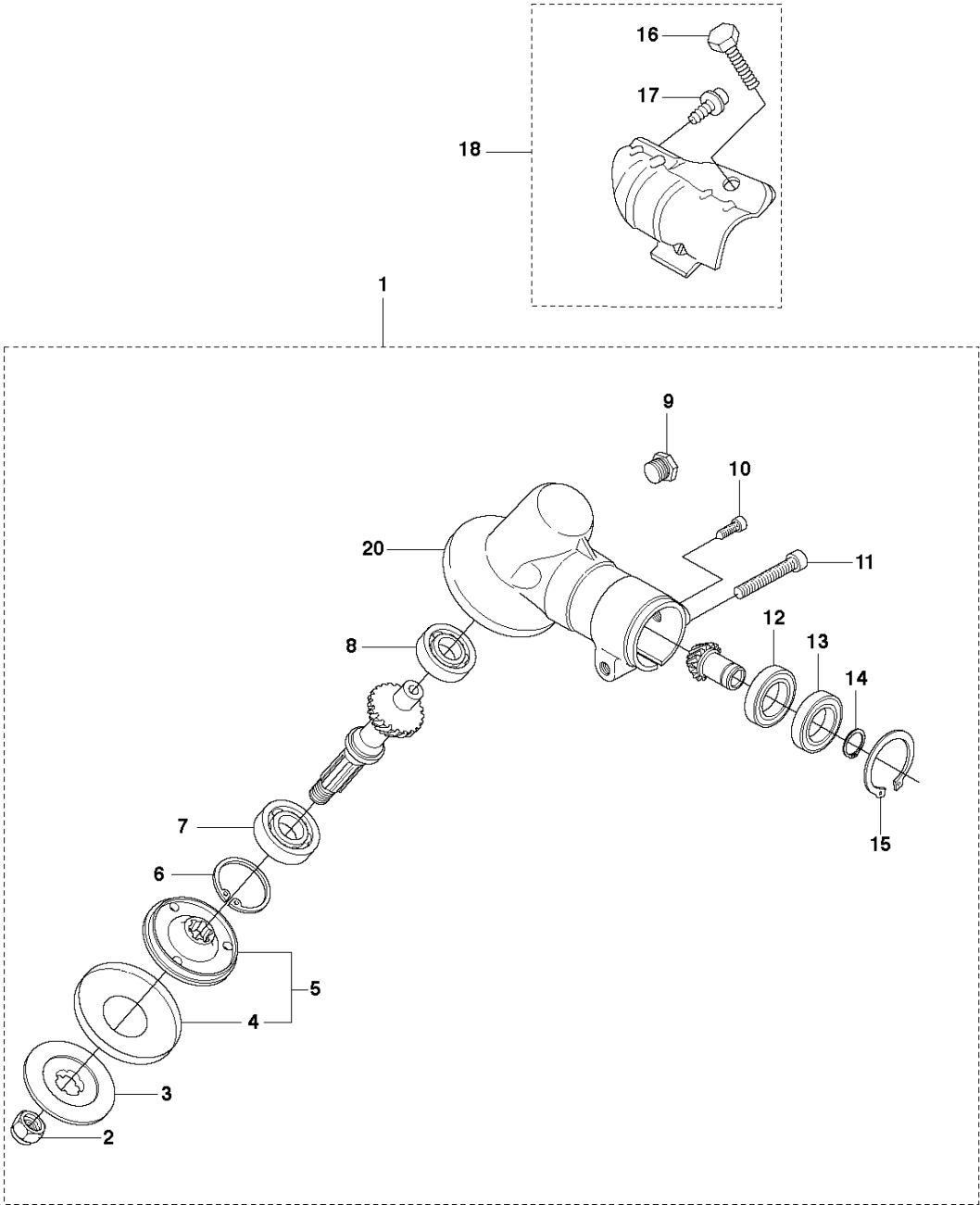


ATTACHMENTS

BRUSHCUTTER ATTACHMENT BCA850 (967185901)

Ref	Part No	Description	Remark	QTY	KIT
1	587 98 81-01	TUBE ASSY		1	
2	735 58 08-10	LOCKWASHER		1	1
3	537 08 27-01	TUBE		1	1
4	587 41 46-01	PLUG		1	1
5	503 78 52-02	SUPPORTING BEARING		1	1
6	587 41 17-01	DRIVE SHAFT		1	1
7	503 93 42-02	COMBI GUARD		1	
8	503 21 07-16	SCREW IHSCT		1	7
9	503 79 88-01	BLADE		1	7
10	502 11 46-02	SOCKET WRENCH		1	
11	537 31 29-01	TRANSPORT GUARD		1	
12	502 28 59-01	STOP		1	
13	537 13 04-02	KNOB		1	
14	537 35 36-01	LOOP		1	
15	537 35 01-01	LOOP		1	
16	725 23 31-51	SCREW		1	
17	537 21 62-01	HARNESS		1	
18	502 02 28-01	HARNESS		1	
19	502 02 30-02	HARNESS		1	18
20	586 34 10-01	SPRING		1	18
21	502 02 29-02	HARNESS		1	18
22	735 31 09-20	HARNESS		1	18
23	503 89 01-01	SUPPORT CUP		1	
24	503 99 78-04	HANDLE		1	
25	504 00 13-03	GRASS BLADE		1	
26	583 93 83-01	CLIP		1	

B TA850
BEVEL GEAR



BEVEL GEAR

BRUSHCUTTER ATTACHMENT BCA850 (967185901)

Ref	Part No	Description	Remark	QTY	KIT
1	537 19 92-02	BEVEL GEAR ASSY		1	
2	503 85 63-01	NUT		1	1
3	537 28 56-01	SUPPORT FLANGE		1	1
4	537 29 26-01	CUP		1	1
5	537 23 49-01	DRIVER ASSY		1	1
6	735 31 28-10	CIRCLIP		1	1
7	503 25 24-01	BALL BEARING		1	1
8	738 21 98-00	BALL BEARING		1	1
9	503 20 15-01	SCREW IHHM		1	1
10	503 20 14-12	SCREW IHSCFMO		1	1
11	503 20 07-25	SCREW IHSCFM		1	1
12	738 21 99-00	BALL BEARING		1	1
13	738 21 99-02	BALL BEARING		1	1
14	735 31 11-00	CIRCLIP		1	1
15	735 31 25-10	CIRCLIP		1	1
16	725 23 70-51	SCREW		1	18
17	503 20 07-12	SCREW IHSCFM		1	18
18	574 30 69-01	CLAMP	Captive screws	1	
20	537 33 37-01	GEAR HOUSING		1	

Illustrated Parts List - IPL Update



Product Name(s)

BCA850

Description of change

New tube assy, with updated plug, drive shaft and a clip, for an easier assembly (Click-on function)

Comments

Drive shaft 587 41 17-01 and plug 587 41 46-01 are backward compatible.
NOTE: Clip 583 93 83-01 does not fit with plug 544 37 87-01 and drive shaft 537 01 19-01.

Introduced from

Serial number / Date	Remark
2016-02	

IPL updates

Page title	Ref. no	New part no	Name	Excl. part no.	Remark
Attachments	1	587 98 81-01	Tube assy	537 07 99-02	
Attachments	4	587 41 46-01	Plug	544 37 87-01	
Attachments	6	587 41 17-01	Drive shaft	537 01 19-01	
Attachments	26	583 93 83-01	Clip		New part