

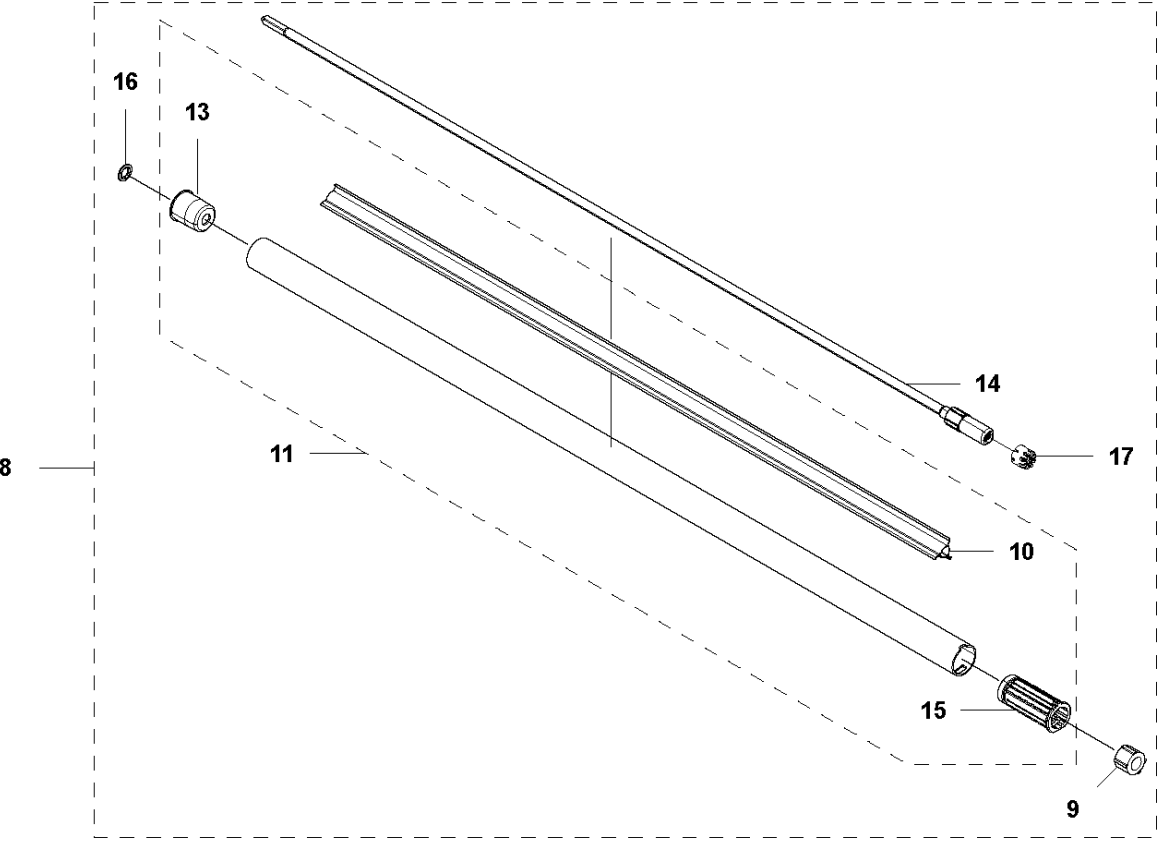
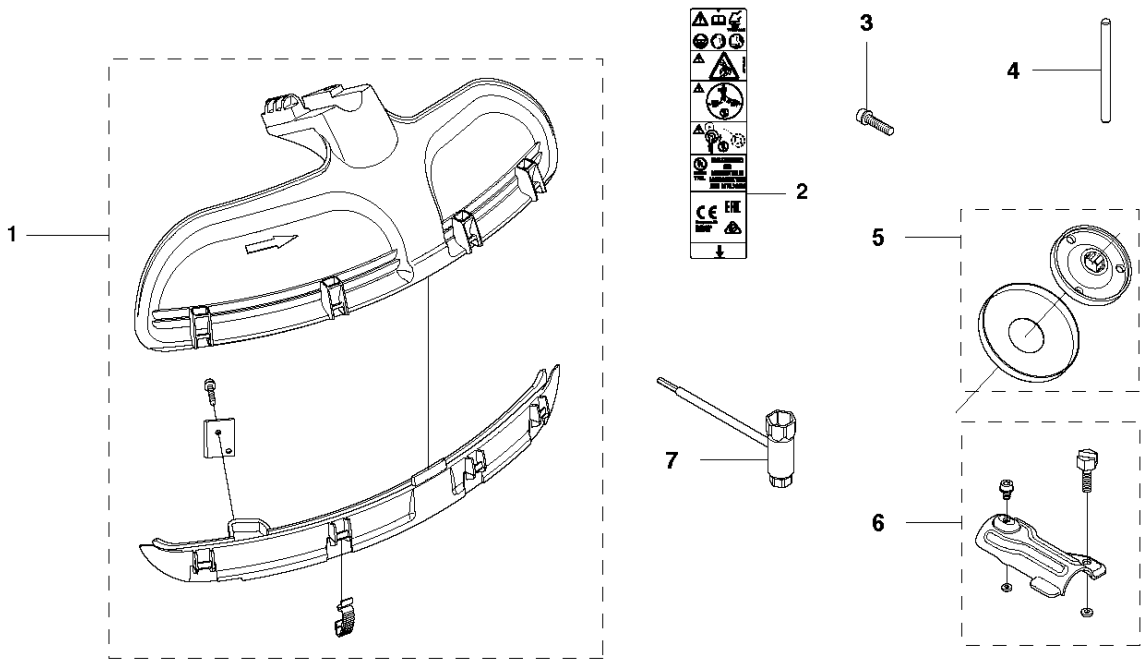


# SPARE PARTS LIST

ACCESSORIES AND TOOLS

TRIMMER ATTACHMENT GTA850/28  
(967113101)

**B** GTA850/28  
ATTACHMENTS

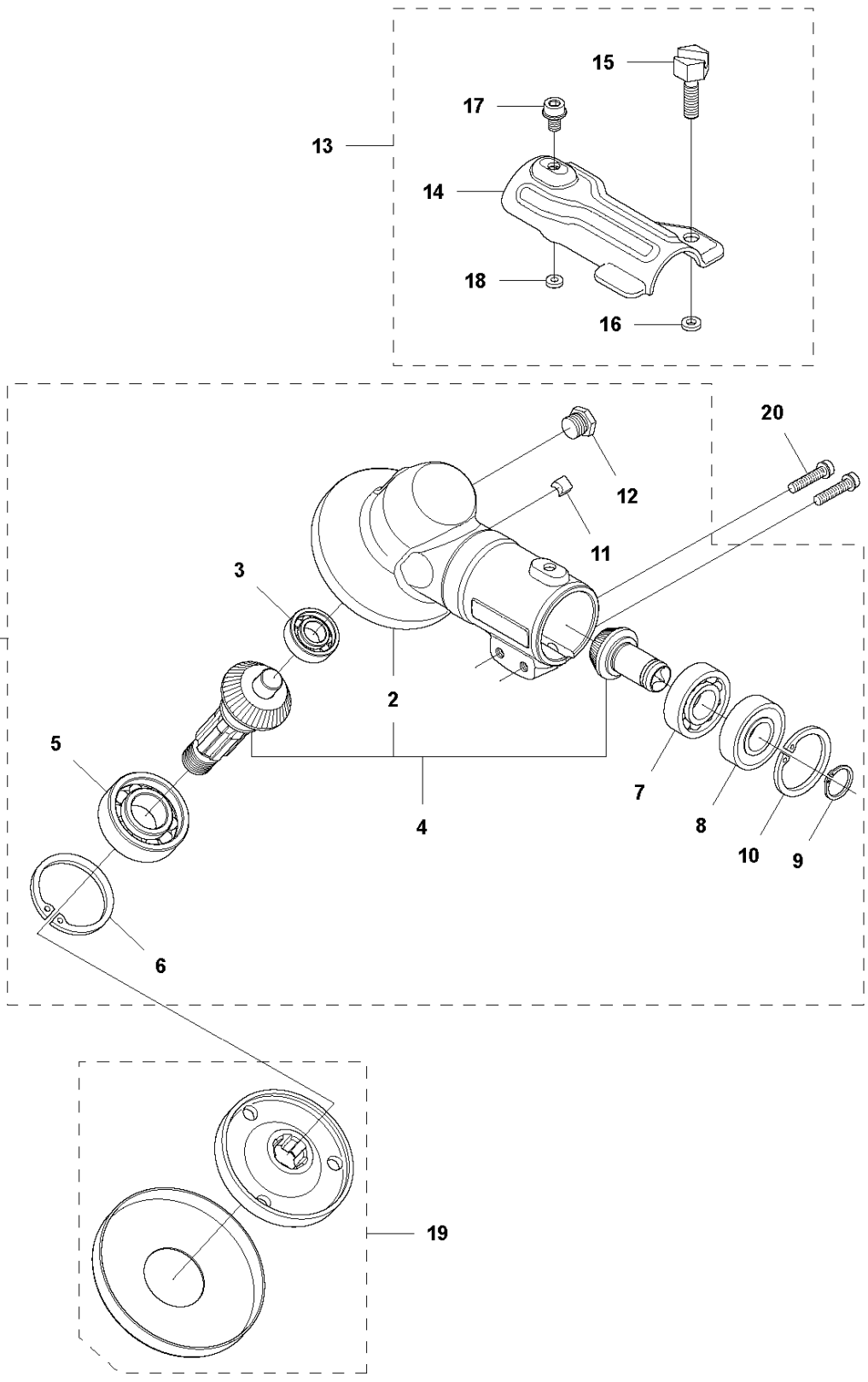


## ATTACHMENTS

## TRIMMER ATTACHMENT GTA850/28 (967113101)

Ref	Part No	Description	Remark	QTY	KIT
1	537 33 16-01	COMBI GUARD		1	
2	589 29 51-01	LABEL		1	
3	503 20 07-78	SCREW IHSCFM		1	
4	502 28 59-01	STOP		1	
5	537 35 14-02	DRIVER		1	
6	574 30 68-01	CLAMP		1	
7	544 93 30-01	COMBINATION WRENCH		1	
8	578 19 97-01	TUBE DRIVESHAFT ASSY		1	
9	503 78 52-02	SUPPORTING BEARING		1	
10	586 89 79-01	DRIVE SHAFT		1	8
11	588 15 61-01	TUBE ASSY		1	8
13	537 36 02-01	SPACER		1	8, 11
14	537 31 39-04	GUIDE		1	8, 11
15	586 89 78-01	PLUG		1	8, 11
16	735 58 52-00	WASHER		1	8
17	586 89 77-01	CLIP		1	

**A** BEVEL GEAR



## BEVEL GEAR

## TRIMMER ATTACHMENT GTA850/28 (967113101)

Ref	Part No	Description	Remark	QTY	KIT
1	544 21 64-01	GEAR		1	
2	537 29 59-02	GEAR HOUSING		1	1, 4
3	738 21 99-10	BALL BEARING		1	1
4	505 13 33-01	SPARE PARTS KIT		1	1
5	503 25 28-01	BALL BEARING		1	1
6	735 31 31-00	CIRCLIP		1	1
7	738 21 01-10	BALL BEARING		1	1
8	738 21 01-12	BALL BEARING		1	1
9	735 31 14-00	CIRCLIP		1	1
10	735 31 28-00	CIRCLIP		1	1
11	537 14 74-01	MAGNET		1	1
12	503 20 15-02	SCREW IHHM		1	1
13	574 30 68-01	CLAMP		1	
14	544 08 76-01	CLAMP		1	13
15	537 18 95-01	SCREW		1	13
16	574 40 44-01	LOCKING NUT		1	13
17	503 20 03-05	SCREW IHSCFM		1	13
18	574 03 95-01	LOCKING NUT		1	13
19	537 35 14-02	DRIVER		1	
20	503 20 03-25	SCREW IHSCFM		1	

# Illustrated Parts List - IPL Update



Product Name(s)

**GTA850/28**

Description of change

New drive shaft and plastic clip. These components will make it easier to assemble the detachable machine.

Comments

The plastic clip can only be used with tube assy 588 15 61-01 and drive shaft 586 89 79-01. The new drive shaft is backward compatible with tube assy 577 71 06-01.

Introduced from

<b>Serial number / Date</b>	<b>Remark</b>
2016-02	

IPL updates

<b>Page title</b>	<b>Ref. no</b>	<b>New part no</b>	<b>Name</b>	<b>Excl. part no.</b>	<b>Remark</b>
Attachments	14	586 89 79-01	Drive shaft	577 60 35-01	
Attachments	17	586 89 77-01	Clip	N/A	<b>Compatible with tube assy 588 15 61-01 and drive shaft 586 89 79-01 only.</b>