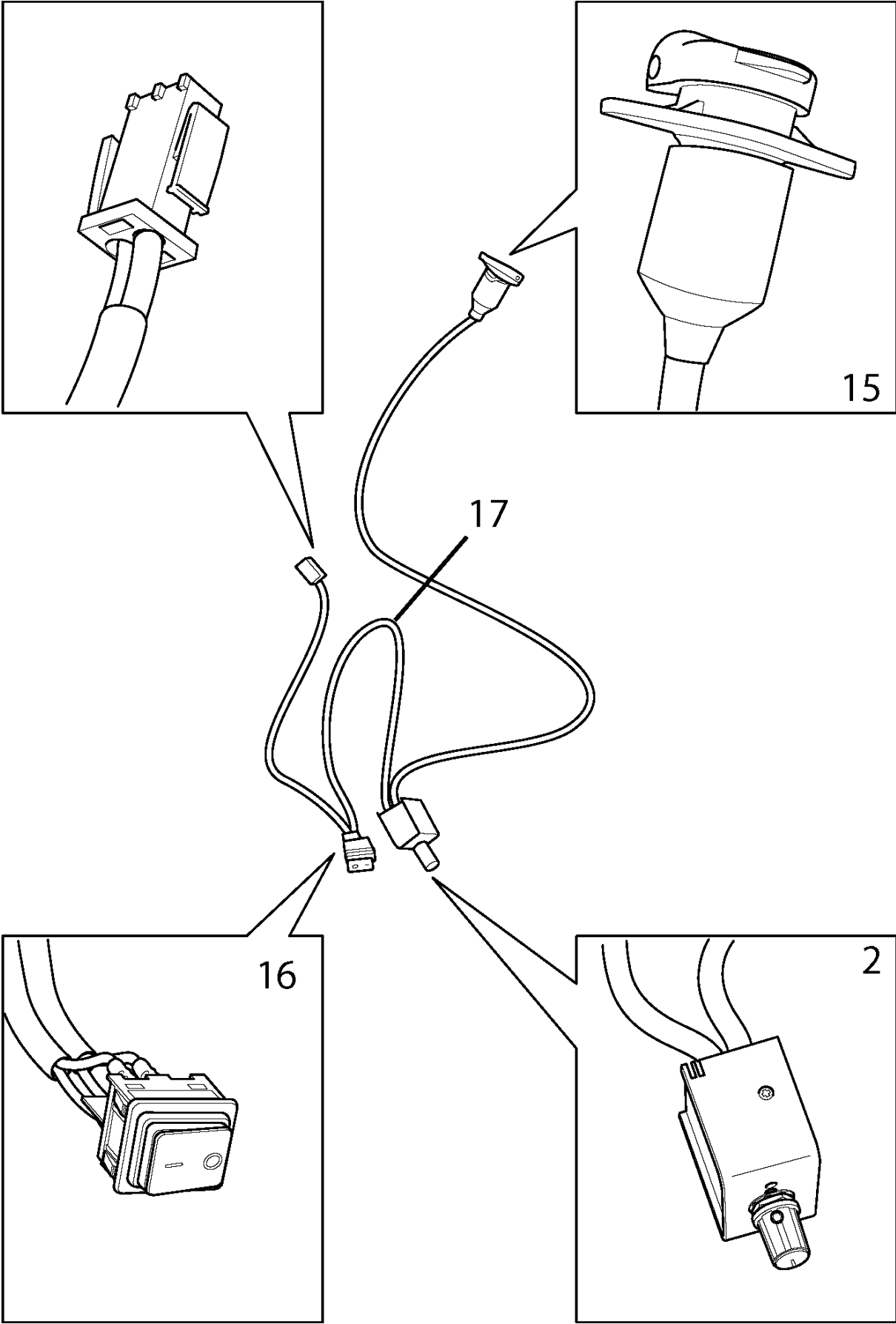




SPARE PARTS LIST

ACCESSORIES AND TOOLS

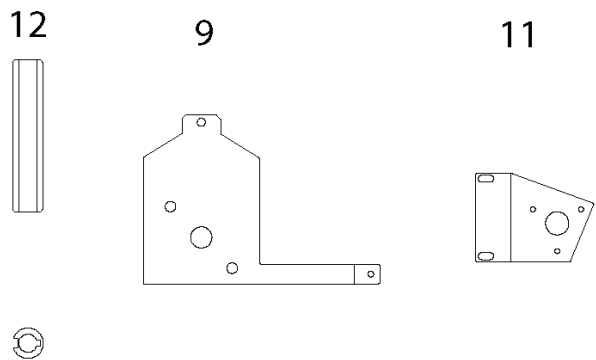
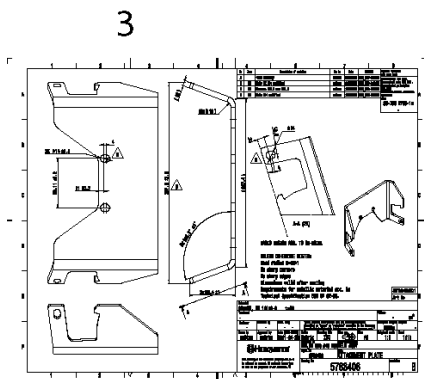
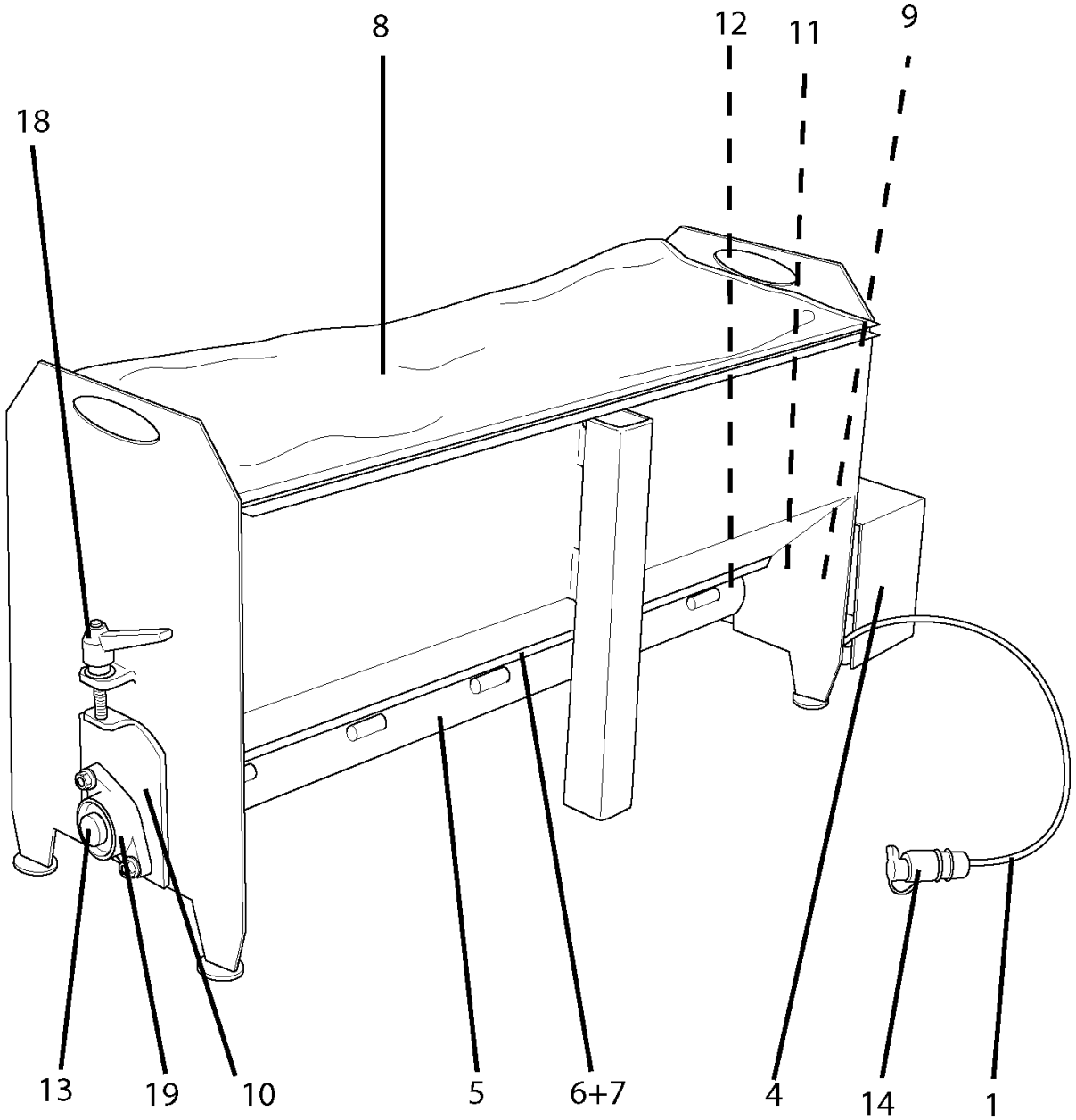
SPREADER, LS70 EL, 967339801,
2015-01



ELECTRICAL

SPREADER, LS70 EL, 967339801, 2015-01

Ref	Part No	Description	Remark	QTY KIT
2	588 43 55-01	SPEED CONTROL SYSTEM		1
15	588 43 71-01	CONNECTOR		
16	588 43 72-01	SWITCH		
17	588 43 73-01	HARNESS		



PRODUCT COMPLETE

SPREADER, LS70 EL, 967339801, 2015-01

Ref	Part No	Description	Remark	QTY KIT
1	588 43 54-01	ENGINE UNIT		1
3	588 43 56-01	BRACKET		1
4	588 43 57-01	COVER		1
5	588 43 58-01	AXLE		1
6	588 43 60-01	SEALING STRIP		1
7	588 43 62-01	PLATE		1
8	588 43 63-01	COVER		1
9	588 43 64-01	ADJUSTER		1
10	588 43 65-01	ADJUSTER		1
11	588 43 66-01	PLATE		1
12	588 43 67-01	AXLE		1
13	588 43 68-01	AXLE		1
14	588 43 70-01	CONNECTOR		1
18	588 43 74-01	ADJUSTMENT LEVER		1
19	588 43 75-01	BEARING		1