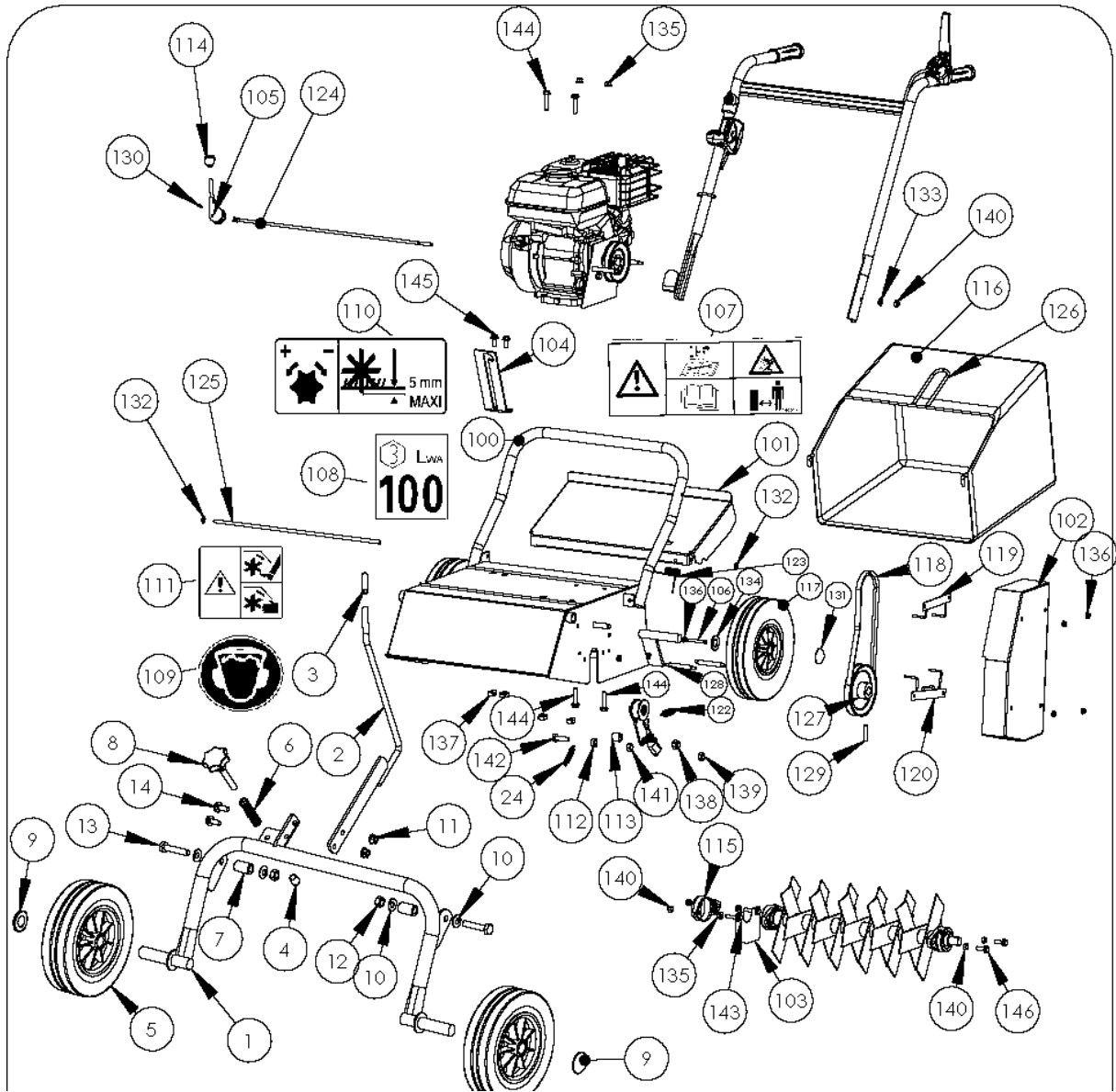




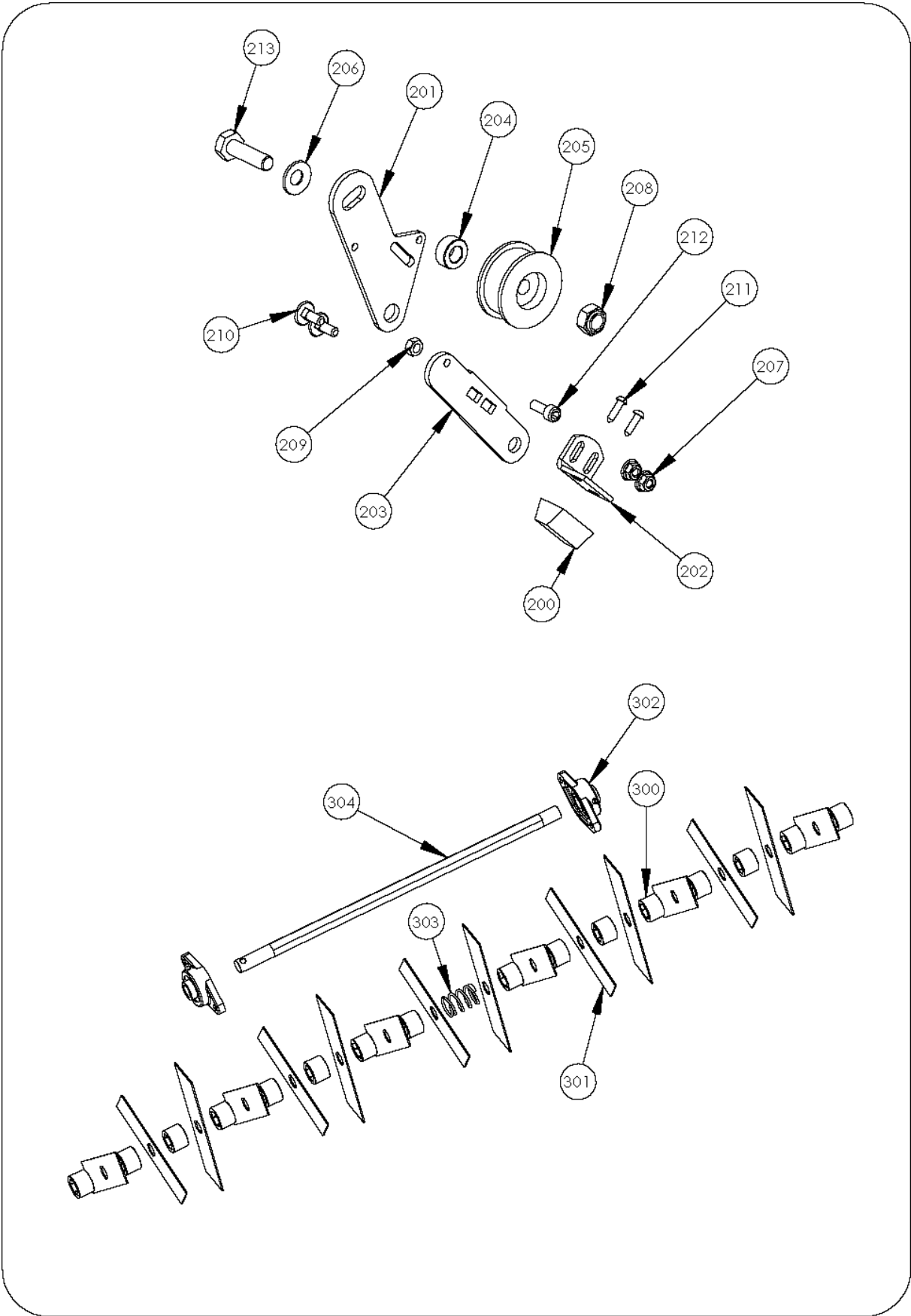
# SPARE PARTS LIST

LAWN CARE EQUIPMENT

S400, 2015-05



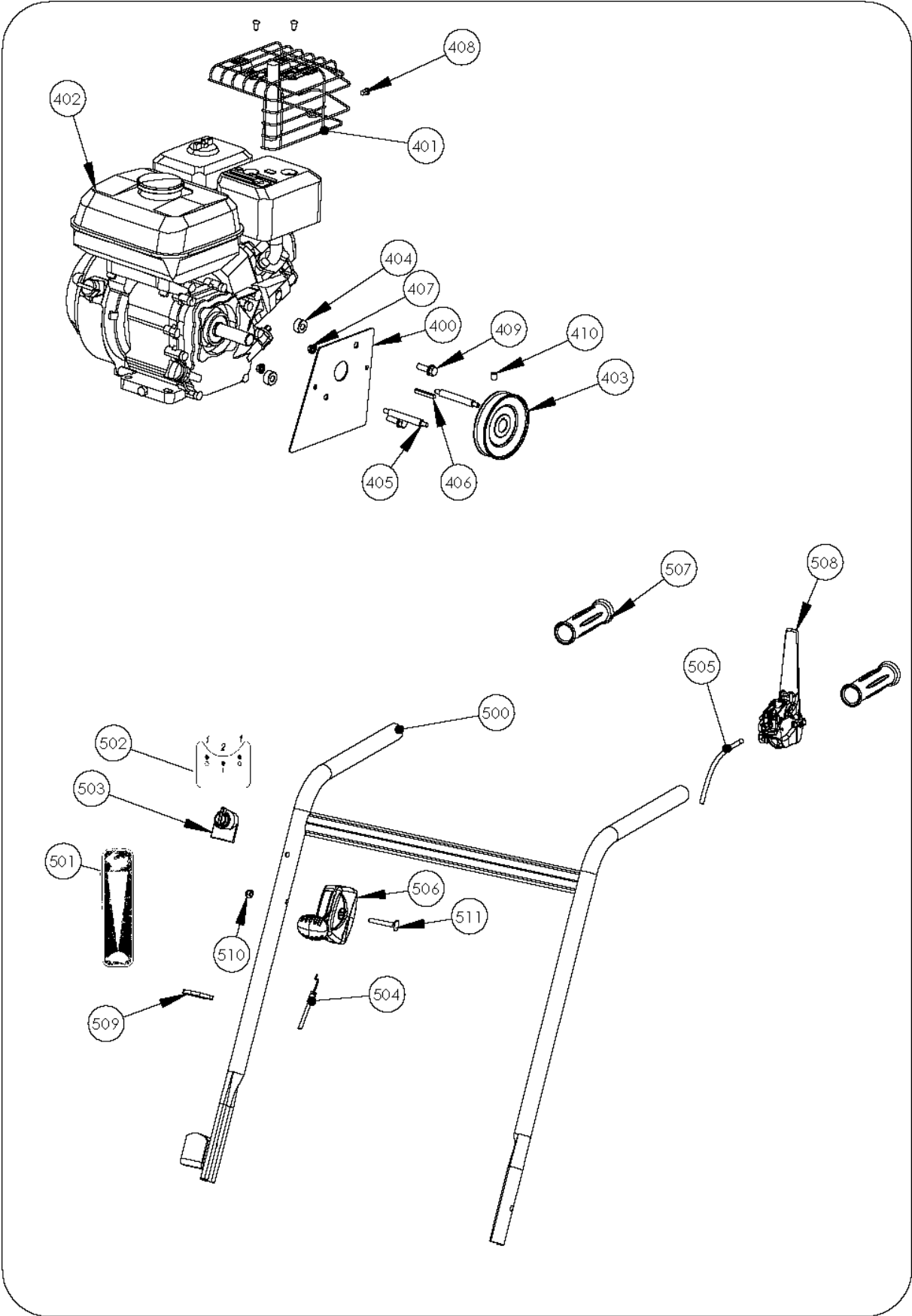
Ref	Part No	Description	Remark	QTY KIT
1	534 10 02-00	TRAIN AVANT		1
2	534 10 01-75	LEVER		1
3	534 10 02-43	EMBOUT PLASTIQUE DIAM:10		1
4	534 10 01-44	CAP		1
5	534 00 90-66	ROUE AVANT		2
6	534 10 01-45	SPRING		1
7	534 00 60-16	ENTRETOISE ARTICULATION		2
8	534 10 02-42	MOLETTE DE REGLAGE		1
9	534 10 00-23	ENJOLIVEUR DIAM:20		2
10	534 00 19-97	WASHER		4
11	534 10 00-20	NUT		2
12	534 00 07-09	NUT		2
13	534 00 60-41	SCREW		2
14	534 10 00-19	SCREW		2
132	534 10 02-60	WASHER		2
133	534 00 20-14	WASHER		2
134	534 10 00-25	WASHER		1
135	534 10 00-20	NUT		2
136	534 10 00-08	NUT		4
137	534 00 48-22	NUT		8
138	534 00 24-84	NUT		4
139	534 00 12-97	NUT		1
140	534 00 37-74	NUT		1
141	534 00 07-09	NUT		5
142	534 00 08-80	SCREW		1
143	534 00 97-54	SCREW		1
144	534 10 02-66	SCREW		2
145	534 10 00-19	SCREW		4
146	534 10 02-78	SCREW		2
100	534 10 02-15	CARTER SCARIFICATEUR		2
101	534 10 02-18	VOLET ARRIERE		1
102	534 10 01-92	HOOD		1
103	534 00 97-52	PLATE		1
104	534 10 01-82	SELECT.REGLAGE HAUTEUR		1
105	534 10 01-78	LEVER		1
106	534 00 63-92	SCREW		1
107	534 10 00-61	STICKER		1
108	534 00 46-11	STICKER		1
109	534 10 02-85	STICKER		1
110	534 10 02-68	STICKER		1
111	534 10 02-67	STICKER		1
112	534 10 01-60	ENTRETOISE PLASTIQUE		1
113	534 10 01-61	ENTRETOISE LEVIER EMBRAYAGE		1
114	534 00 35-85	BOULE PLASTIQUE NOIRE		1
115	534 00 97-53	COVER		1
116	534 00 90-46	SAC DE RAMASSAGE		1
117	534 00 90-67	ROUE ARRIERE		1
118	534 10 02-41	COURROIE ROTOR		2
119	534 10 03-14	PLAQUE DE DEBRAYAGE SUPERIEUR		1
120	534 10 03-13	PLAQUE DE DEBRAYAGE INFERIEUR		1
24	534 10 02-46	RECOIL SPRING		1
122	534 00 63-90	RECOIL SPRING		1
123	534 00 63-93	RESSORT DE VOLET		1
124	534 10 02-49	TIGE FILETEE VEROU.MANCHERON		1
125	534 10 02-16	AXE		1
126	534 00 90-60	ARMATURE		1
127	534 10 01-70	POULIE DE ROTOR		1
128	534 10 01-62	AXE		1
129	534 00 90-61	GOUPILLE ROULEE 8X40		2
130	534 00 90-62	GOUPILLE ROULEE 4X16		1
131	534 10 00-23	ENJOLIVEUR DIAM:20		1



## ENGINE

S400, 2015-05

Ref	Part No	Description	Remark	QTY KIT
200	534 10 02-53	FREIN DE ROTOR		1
201	534 10 01-84	LEVER		1
202	534 10 01-90	EQUERRE FIXATION COURROIE		1
203	534 10 01-86	LEVER		1
204	534 10 03-12	ENTRETOISE 10.5X20X9		1
205	534 10 02-58	GALET D'EMBAYAGE		1
206	534 00 19-97	WASHER		1
207	534 10 00-08	NUT		2
208	534 00 12-97	NUT		1
209	534 00 09-92	NUT		1
210	534 00 90-79	SCREW		2
211	534 10 02-59	SCREW		2
212	534 00 45-44	SCREW		1
213	534 00 08-80	SCREW		1
300	534009755	TBD		16
301	534 10 01-64	COUTEAU FIXES		16
302	534 10 01-71	PALIER DE ROTOR		2
303	534 10 02-47	SPRING		1
304	534 10 01-50	ARBRE ROTOR COUTEAUX FIXES		1



Ref	Part No	Description	Remark	QTY KIT
400	534 10 01-94	TOLE PROTECTION POULIE MOTEUR		1
401	534009044	TBD		1
402	534002206	TBD		1
403	534 10 01-69	POULIE MOTEUR		1
404	534 10 01-54	ENTRETOISE TOLE PROTECTRICE		2
405	534 10 01-62	AXE		2
406	534 00 45-26	CLAVETTE 4.76X37		1
407	534 10 00-08	NUT		2
408	534 10 02-59	SCREW		3
409	534 00 38-17	SCREW		2
410	534 00 04-21	SCREW		1
500	534 10 02-20	MANCHERON CPT		1
501	534100069	TBD		1
502	534100262	TBD		1
503	531 00 85-58	STOP SWITCH		1
504	534 00 45-63	CABLE DE GAZ		1
505	534 00 97-11	CABLE		1
506	534 00 97-36	THROTTLE LEVER		1
507	534 10 00-54	POIGNEE CAOUTCHOUC		2
508	534 00 97-09	LEVER ASSY		1
509	534 00 91-20	COLLAR		4
510	534 00 42-65	NUT		1
511	534 00 97-44	SCREW		1