

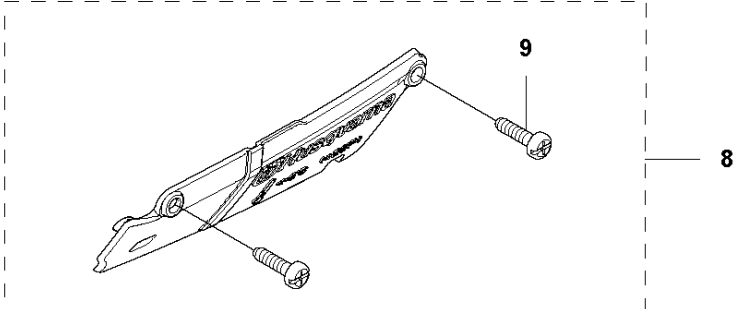
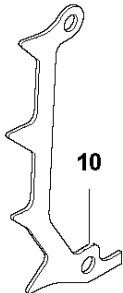
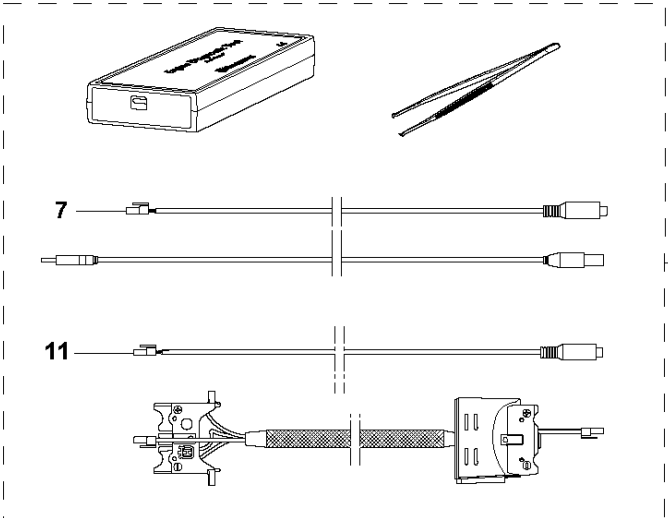
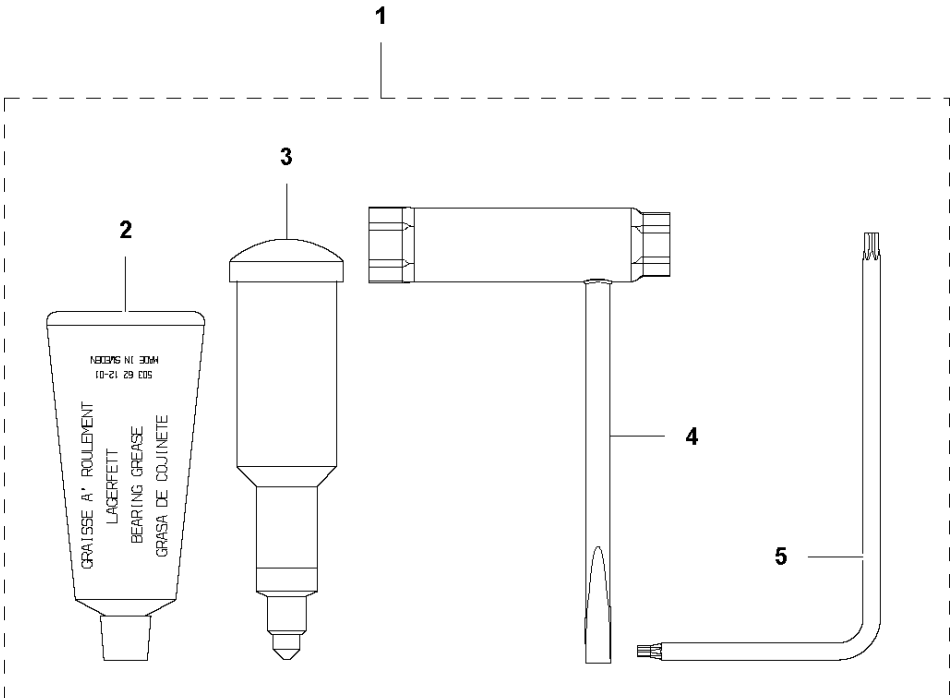


# SPARE PARTS LIST

CHAIN SAWS

T540XP

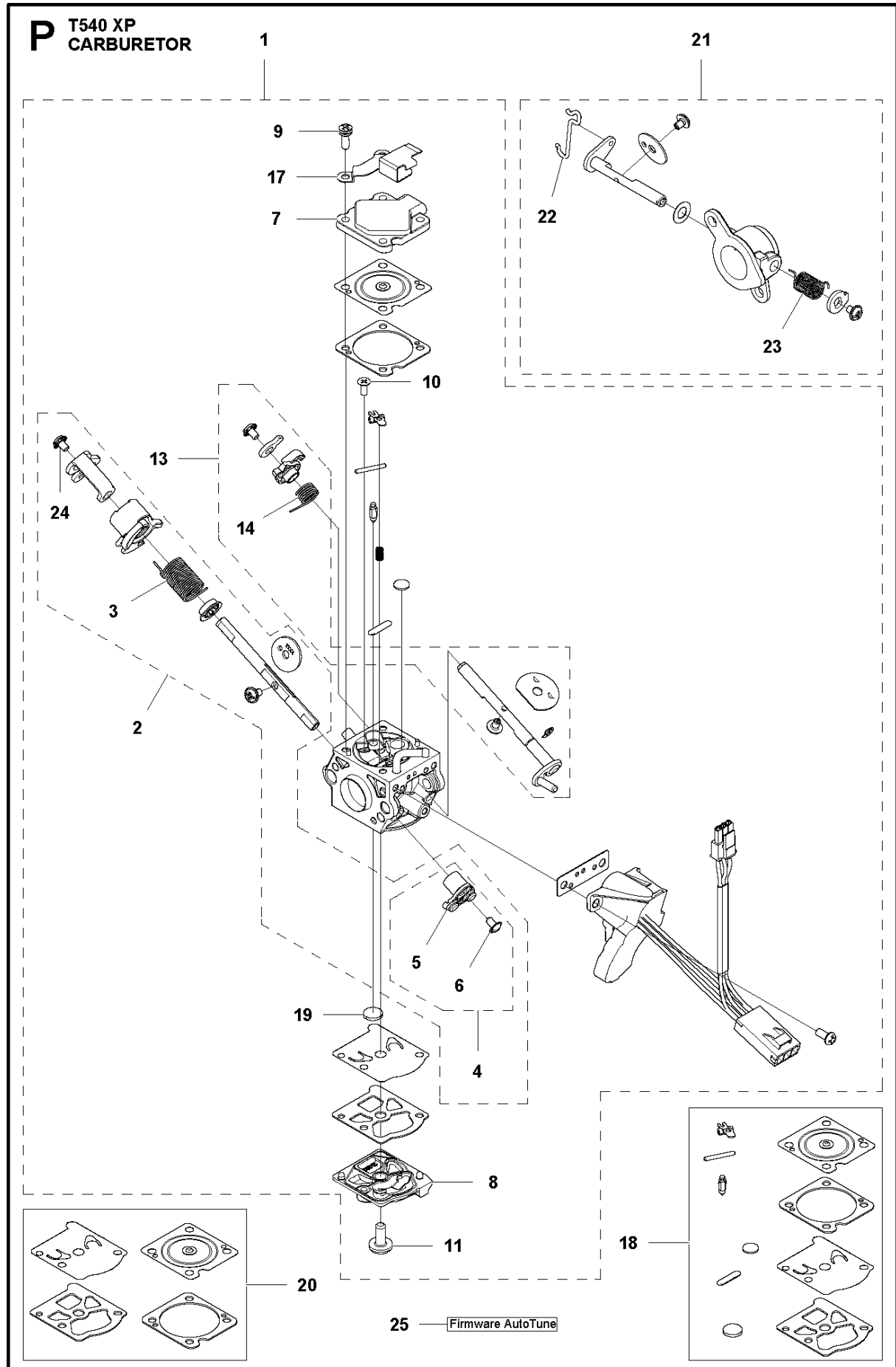
**Q** T540 XP  
ACCESSORIES



## ACCESSORIES

T540XP

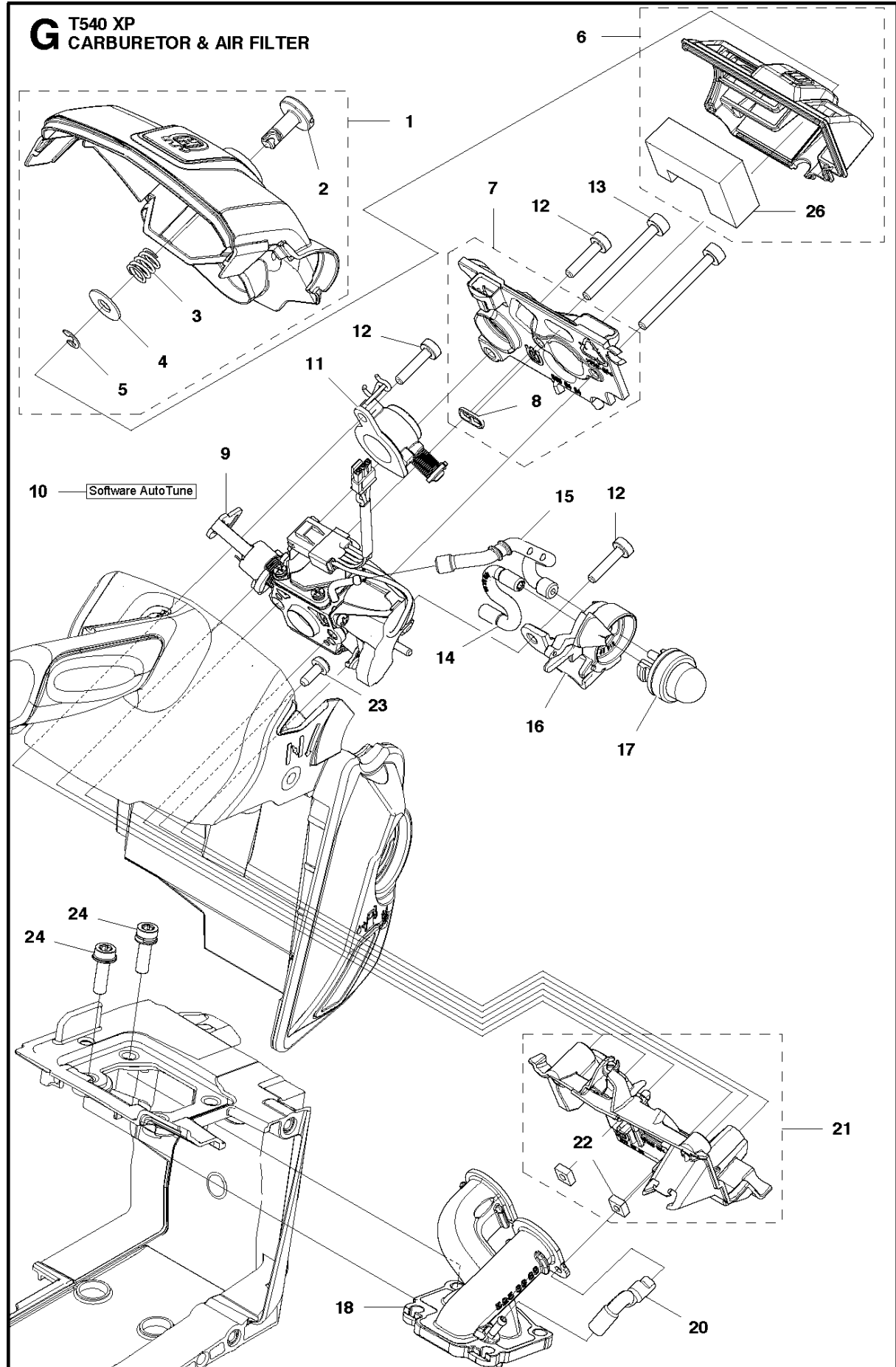
Ref	Part No	Description	Remark	QTY	KIT
1	503 55 85-10	TOOL		1	
2	503 62 12-01	GREASE		1	
3	501 91 14-01	GREASE GUN		1	
4	522 52 11-02	COMBINATION WRENCH		1	
5	575 88 07-01	WRENCH		1	
6	583 89 71-01	DIAGNOSTIC TOOL KIT		1	
7	576 18 34-01	CABLE ASSY		1	6
8	579 38 48-01	WINTER KIT		1	
9	503 21 70-16	SCREW CCRPANT		2	8
10	515 99 72-01	SPIKE		1	
11	576 95 22-01	CABLE ASSY		1	6



## CARBURETOR

T540XP

Ref	Part No	Description	Remark	QTY	KIT
1	579 19 30-01	CARBURETTOR	Walbro AT-2	1	
2	577 95 49-01	KIT		1	1
3	574 35 94-01	SPRING		1	1,2
4	577 75 34-01	THROTTLE LEVER ASSY		1	1,2
5	577 21 92-01	THROTTLE LEVER ASSY		1	1,2,4
6	544 11 15-01	SCREW		1	1,2,4
7	574 35 81-01	COVER		1	1
8	576 66 68-01	PUMP COVER		1	1
9	537 00 31-01	SCREW		4	1
10	502 84 71-01	SCREW		1	1
11	574 35 90-01	SCREW		1	1
13	577 95 50-01	KIT		1	1
14	574 35 93-01	SPRING		1	1,13
17	577 17 01-01	BRACKET		1	1
18	580 69 99-01	REPAIR KIT	Walbro K2-AT. Repair kit	1	
19	501 66 61-01	SCREEN		1	1,18
20	580 70 00-01	GASKET KIT	Walbro D2-AT. Set of gaskets	1	
21	574 43 76-01	THROTTLE ASSY		1	
22	574 52 11-01	LINK		1	21
23	576 67 02-01	SPRING		1	21
24	544 11 15-01	SCREW		1	1,2
25	.	TBD	Download from your local support site	1	

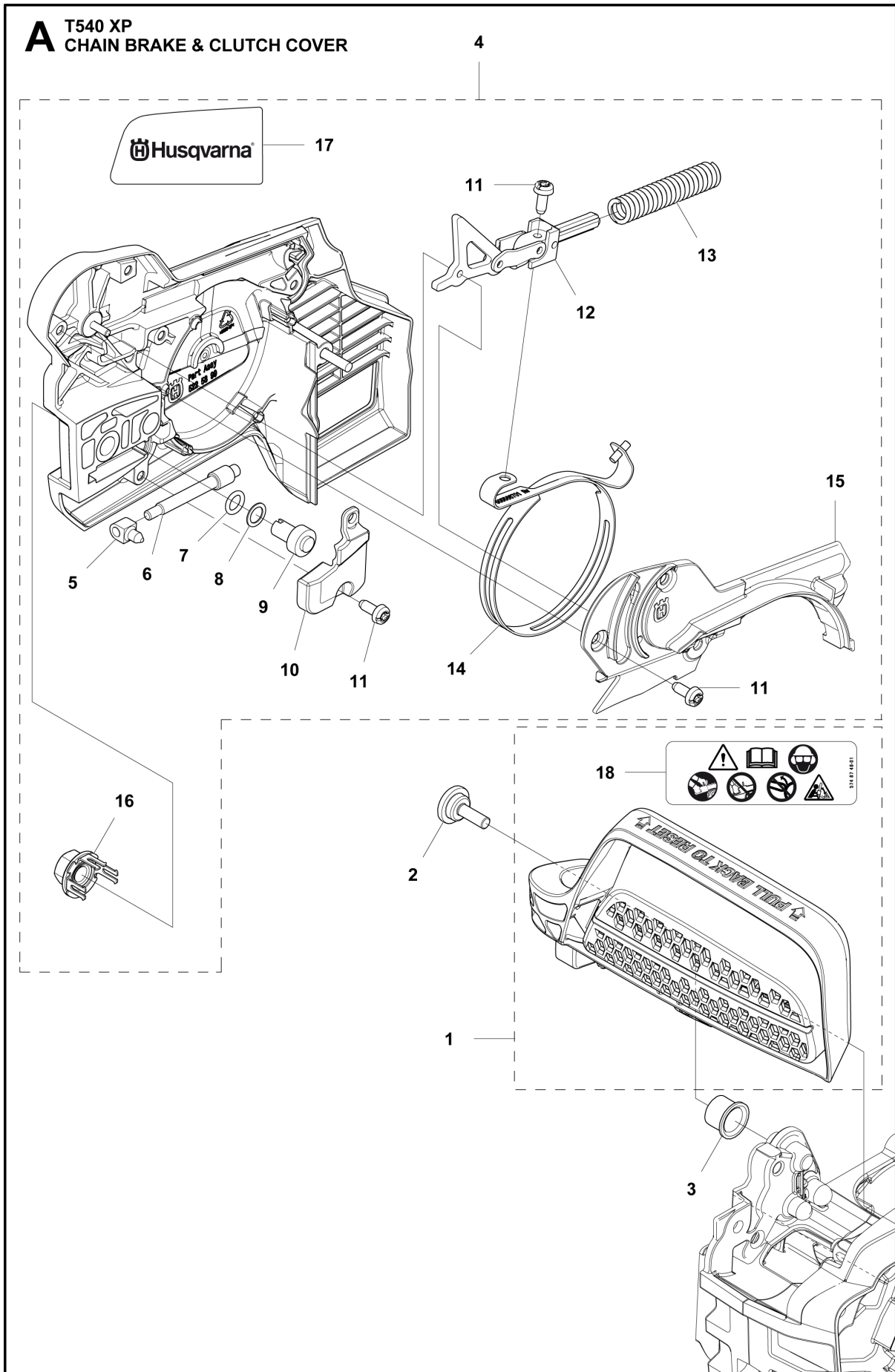


## CARBURETOR &amp; AIR FILTER

T540XP

Ref	Part No	Description	Remark	QTY KIT	
1	576 35 36-01	FILTER COVER ASSY		1	
2	575 41 54-01	KNOB		1	1
3	575 48 76-01	SPRING		1	1
4	576 04 98-01	WASHER		1	1
5	735 31 08-20	E-CLIP		1	1
6	574 45 31-04	AIR FILTER ASSY	80my	1	
6	574 45 31-03	AIR FILTER ASSY	52my	1	
7	506 94 84-02	FILTER HOLDER ASSY		1	
8	525 61 92-01	SEALING		1	7
9	579 19 30-01	CARBURETTOR	Walbro AT-2	1	
10	.	TBD	Download from your local support site		
11	574 43 76-01	THROTTLE ASSY		1	
12	525 82 48-01	SCREW ITXSCT		3	
13	574 35 35-02	SCREW ITXSCM		2	
14	523 05 68-01	FUEL HOSE		1	
15	516 00 33-01	SUCTION HOSE		1	
16	574 36 64-01	CHOKE CONTROL ASSY		1	
17	503 93 66-01	PRIMER HOUSING		1	
18	525 39 68-02	INLET PIPE ASSY		1	
20	577 40 64-01	HOSE		1	
21	522 89 03-01	CARBURETTOR BRACKET		1	
22	574 62 04-01	NUT SQUARE		2	21
23	526 22 20-01	SCREW CITXPANT		1	
24	577 40 12-02	SCREW ITXSCM		4	
26	574 44 45-02	FOAMING FILTER		1	6

**A** T540 XP  
CHAIN BRAKE & CLUTCH COVER



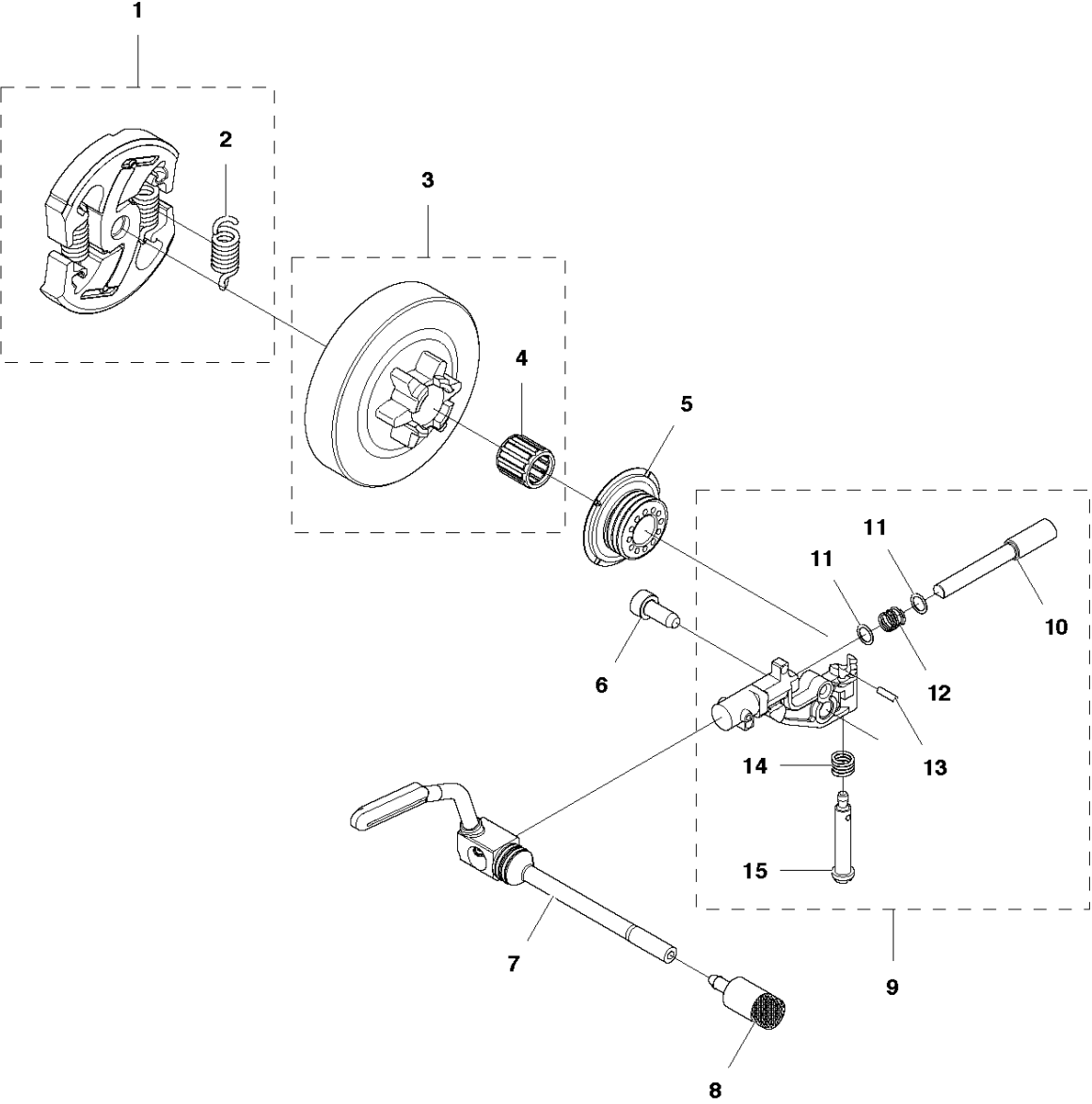


## CHAIN BRAKE &amp; CLUTCH COVER

T540XP

Ref	Part No	Description	Remark	QTY	KIT
1	577 82 97-01	HAND GUARD ASSY		1	
2	526 83 45-01	SCREW		1	
3	537 20 28-01	BUSHING		1	
4	505 54 31-02	CLUTCH COVER ASSY		1	
5	501 45 41-02	NUT		1	4
6	537 39 70-01	WORM SCREW		1	4
7	740 48 07-02	O-RING		1	4
8	503 23 00-63	WASHER		1	4
9	537 07 94-02	WORM WHEEL		1	4
10	505 21 45-01	COVER LID		1	4
11	526 22 20-01	SCREW CITXPANT		7	4
12	505 19 93-01	KNEE JOINT ASSY		1	4
13	529 27 93-01	BRAKE SPRING		1	4
14	505 56 67-01	BRAKE BAND ASSY		1	4
15	505 54 33-02	COVER		1	4
16	505 19 73-01	NUT		1	4
17	515 99 67-01	DECAL		1	4
18	586 24 90-01	LABEL		1	1

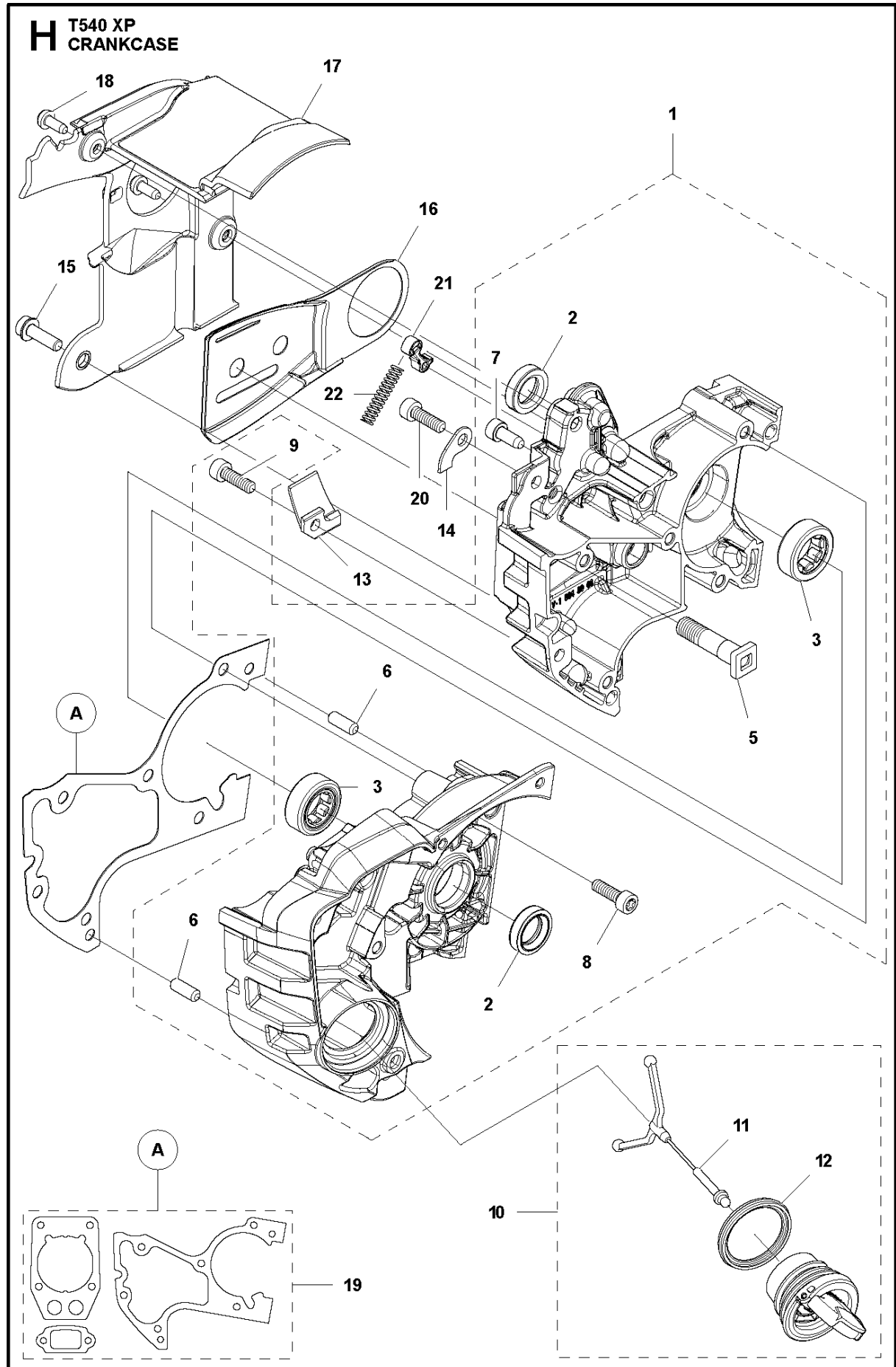
**B** T540 XP  
CLUTCH & OIL PUMP



## CLUTCH &amp; OIL PUMP

T540XP

Ref	Part No	Description	Remark	QTY	KIT
1	586 86 40-01	CLUTCH ASSY		1	
2	574 71 88-01	CLUTCH SPRING		2	1
3	577 38 97-01	CLUTCH DRUM		1	
4	503 25 46-01	NEEDLE BEARING		1	3
5	504 78 60-01	WORM WHEEL		1	
6	525 76 46-01	SCREW ITXSCT		1	
7	504 73 60-01	OIL HOSE		1	
8	503 96 75-01	OIL PLUMMET		1	
9	544 18 01-03	OIL PUMP ASSY		1	
10	537 06 91-02	PUMP PISTON		1	9
11	503 23 00-60	WASHER		2	9
12	503 89 16-01	SPRING		1	9
13	721 11 64-30	GROOVED PIN		1	9
14	503 89 15-01	SPRING		1	9
15	537 02 71-01	ADJUSTER		1	9

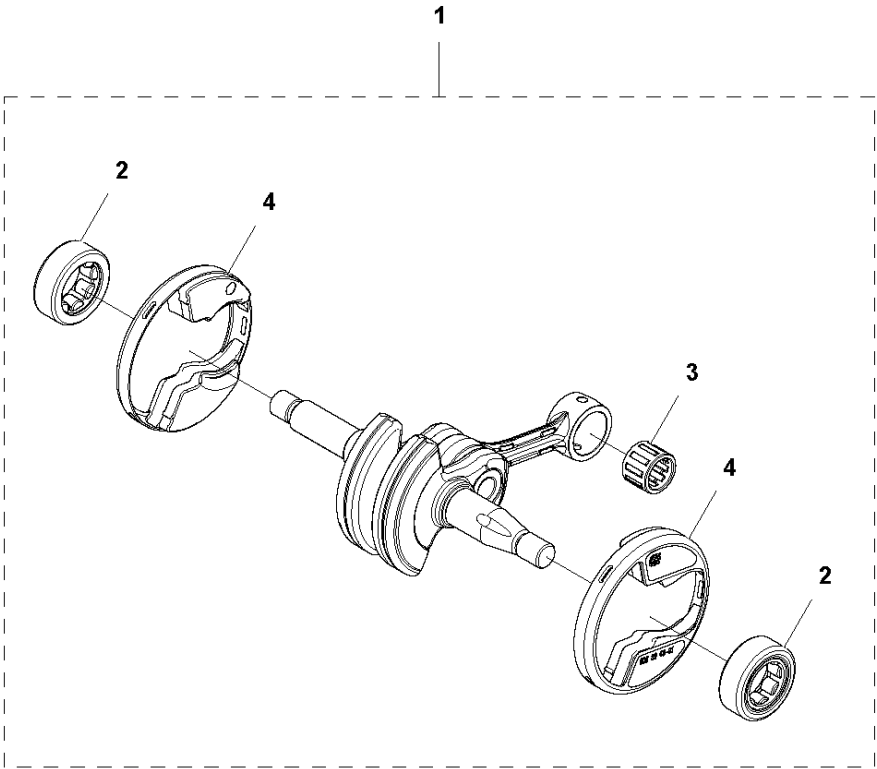


## CRANKCASE

T540XP

Ref	Part No	Description	Remark	QTY	KIT
1	574 61 80-01	CRANKCASE ASSY		1	
2	505 39 40-01	RADIAL SEAL		2	1
3	505 39 47-01	ROLLER BEARING		2	1
5	505 21 73-01	BAR BOLT		1	1
6	720 13 07-10	PARALLEL PIN		2	1
7	525 76 46-01	SCREW ITXSCT		1	1
8	525 82 49-01	SCREW ITXSCM		6	1
9	505 57 41-16	SCREW ITXSCM		1	1
10	577 87 86-01	TANK CAP ASSY		1	
11	503 57 89-01	HOLDER		1	10
12	505 41 10-01	SEALING		1	10
13	505 28 85-01	CHAIN CATCHER		1	
14	580 25 04-01	WASHER		1	
15	525 75 51-01	SCREW ITXSFCM		1	
16	505 52 14-01	CHAIN GUIDE PLATE		1	
17	516 03 45-01	COVER LID		1	
18	526 22 20-01	SCREW CITXPANT		2	
19	576 66 61-01	GASKET KIT	A=Set of gaskets	1	
20	505 57 41-16	SCREW ITXSCM		1	
21	505 20 12-01	CATCH		1	
22	503 43 65-01	POSITION SPRING		1	

**E** T540 XP  
CRANK SHAFT

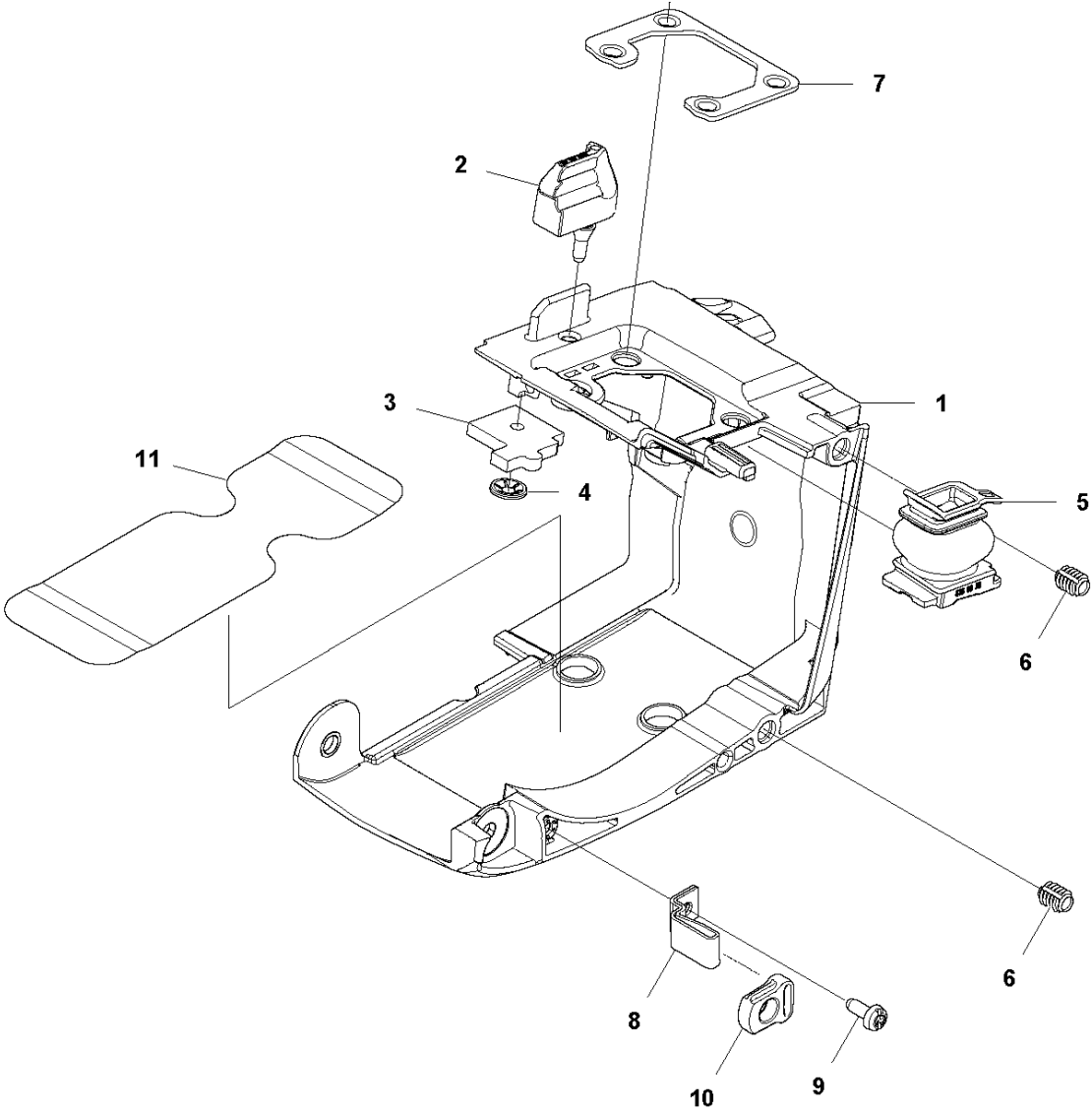


CRANKSHAFT

T540XP

Ref	Part No	Description	Remark	QTY	KIT
1	576 66 59-01	CRANKSHAFT ASSY		1	
2	505 39 47-01	ROLLER BEARING		2	1
3	503 25 55-01	NEEDLE BEARING		1	1
4	505 39 48-01	CUP		2	1

**C** T540 XP  
CYLINDER COVER



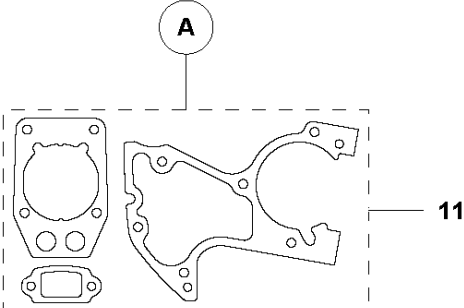
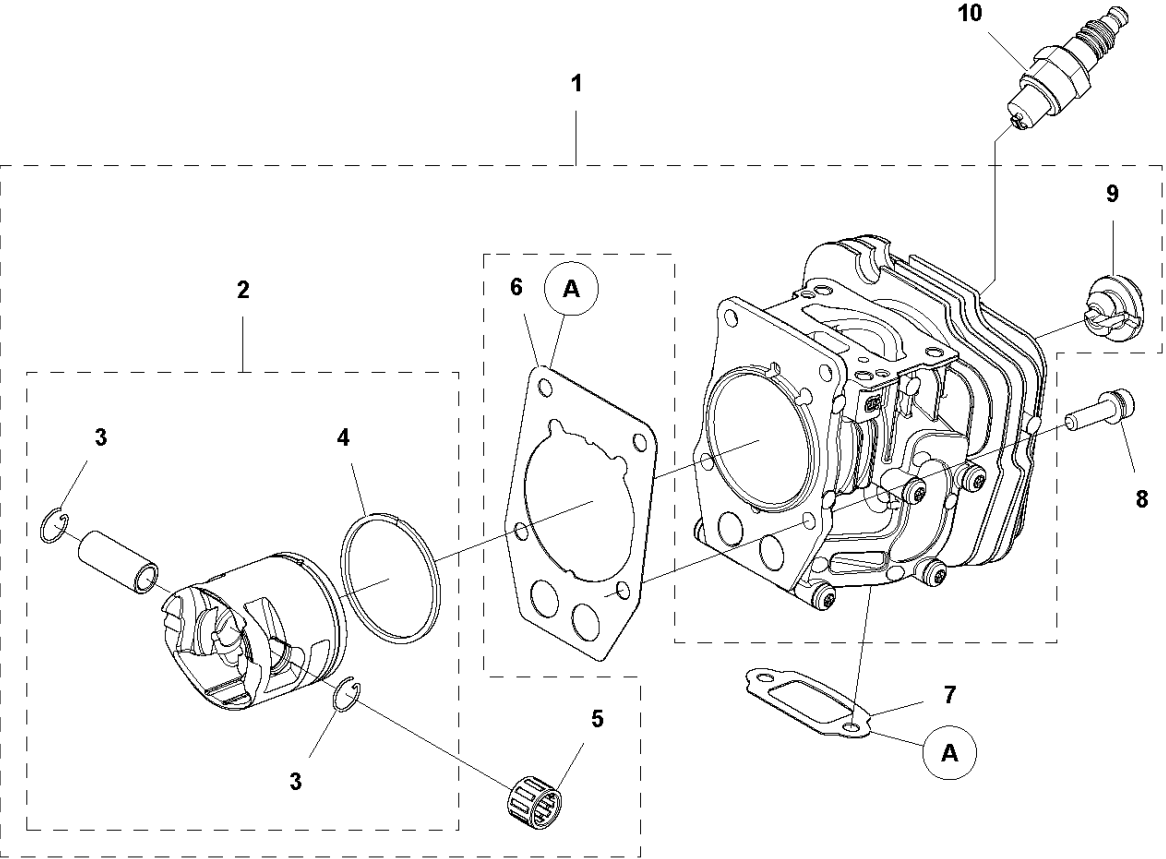


## CYLINDER COVER

T540XP

Ref	Part No	Description	Remark	QTY KIT
1	516 03 46-02	CYLINDER COVER ASSY		1
2	576 88 46-01	SUPPORT		1
3	575 55 02-01	SEAL		1
4	735 58 30-00	WASHER		1
5	515 99 73-01	BELLOWS		1
6	578 12 03-01	THREAD INSERT		2
7	579 17 31-01	PLATE		1
8	579 73 31-01	STRAP		1
9	526 22 20-01	SCREW CITXPANT		1
10	584 95 29-01	WEDGE		1
11	586 69 16-01	HEAT DEFLECTOR		1

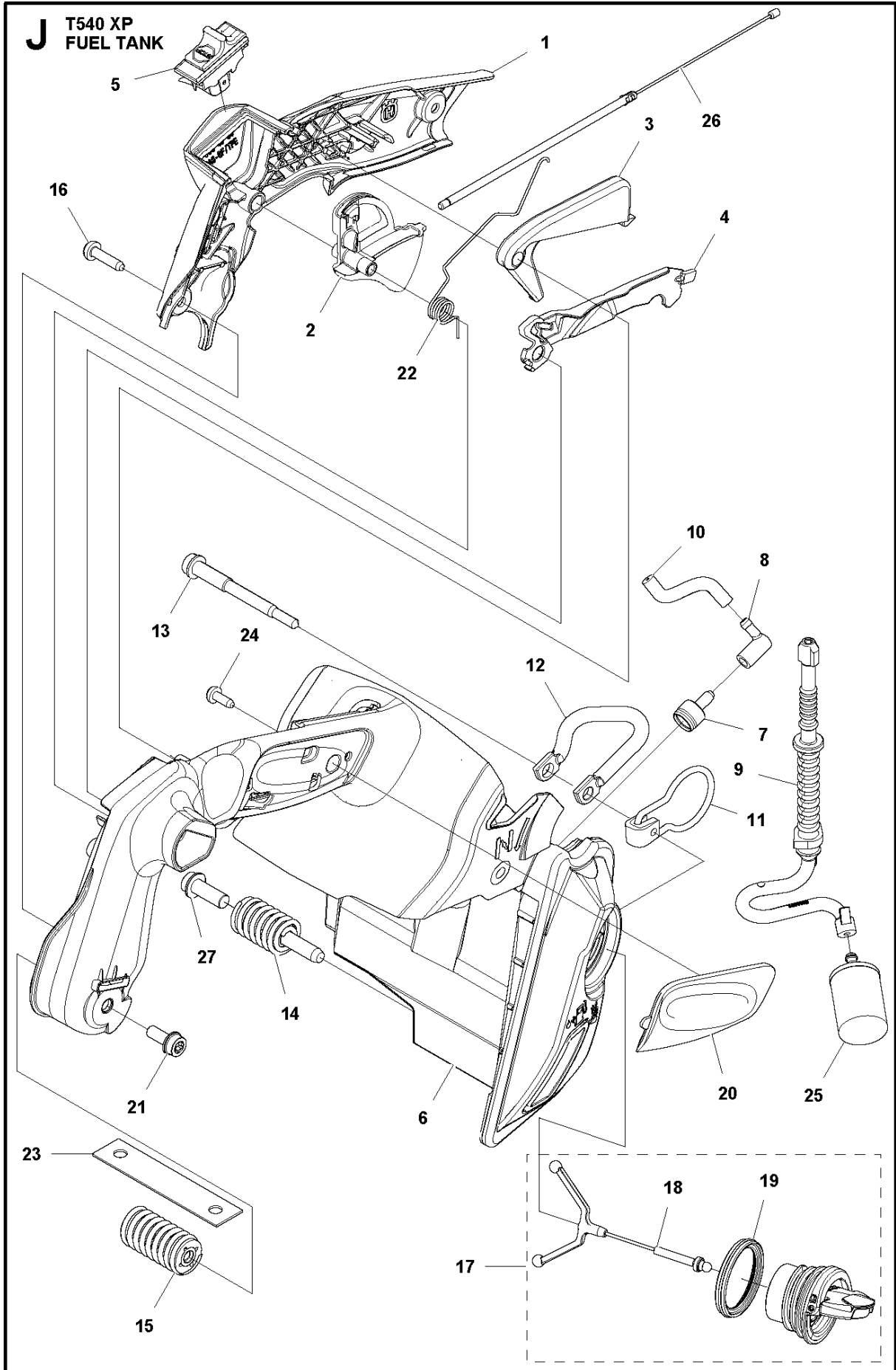
**D** T540 XP  
CYLINDER & PISTON



## CYLINDER PISTON

T540XP

Ref	Part No	Description	Remark	QTY	KIT
1	576 67 62-01	CYLINDER ASSY	up to 141899999	1	
1	576 67 62-02	CYLINDER ASSY	from 141900001	1	
2	586 44 62-02	PISTON ASSY		1	1
3	737 44 10-00	SNAP RING		2	1,2
4	577 96 05-01	PISTON RING		1	1,2
5	503 25 55-01	NEEDLE BEARING		1	1
6	505 45 70-01	GASKET		1	11
7	505 40 83-01	GASKET		1	11
9	576 35 59-02	SUPPORT	s/n from 20141900001-	1	1
8	577 40 12-02	SCREW ITXSCM		4	
9	576 35 59-01	SUPPORT	s/n up to -20141899999	1	
10	531 00 86-15	SPARK PLUG		1	
11	576 66 61-01	GASKET KIT	A=Set of gaskets	1	

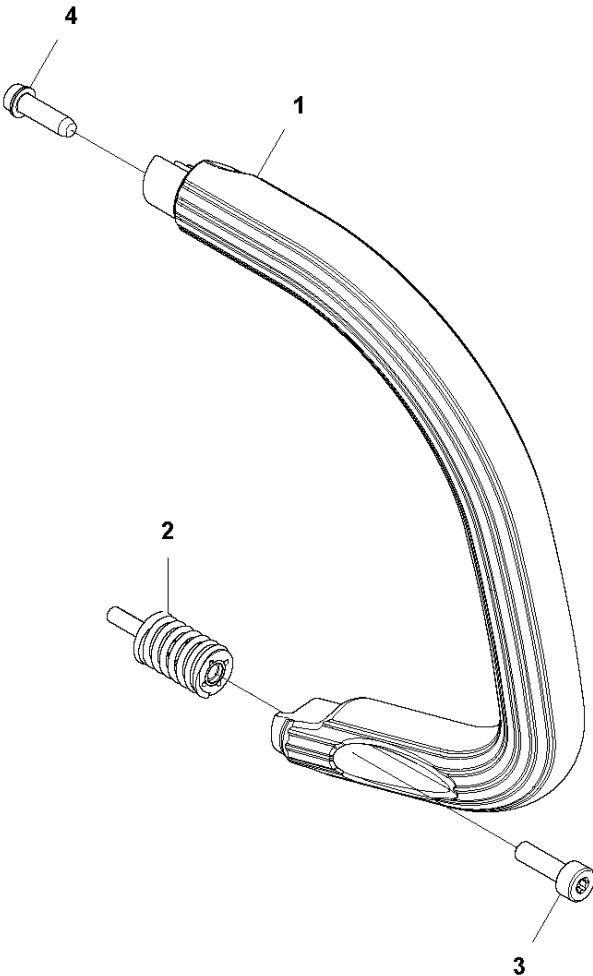


## FUEL TANK

T540XP

Ref	Part No	Description	Remark	QTY	KIT
1	506 49 98-01	LID	Medium	1	
1	506 49 99-01	LID	Large	1	
1	506 51 98-01	LID	X-Large	1	
2	506 49 56-01	THROTTLE CONTROL		1	
3	506 49 57-01	THROTTLE LOCKOUT		1	
4	522 62 09-02	CABLE COVER		1	6
5	522 79 82-01	STOP SWITCH		1	
6	588 45 43-01	FUEL TANK		1	
7	537 35 95-01	TANK VENT ASSY		1	
8	503 45 46-01	CONNECTION BEND		1	
9	523 05 52-02	FUEL HOSE		1	
10	544 32 49-39	FUEL HOSE		1	
11	580 86 00-02	LOOP		1	
12	576 38 13-01	LOOP		1	
13	522 84 79-01	SCREW ITXSCFM		1	
14	510 07 11-01	ANTIVIBRATION ELEMENT		1	
15	510 05 84-01	ANTIVIBRATION ELEMENT		1	
16	526 22 20-02	SCREW CITXPANT		4	
17	577 87 86-01	TANK CAP ASSY		1	
18	503 57 89-01	HOLDER		1	17
19	505 41 10-01	SEALING		1	17
20	506 49 97-01	HANDLE INSERT		1	
21	525 75 51-05	SCREW ITXSCFM		1	
22	506 49 89-01	SPRING		1	
23	576 94 96-01	STRAP		1	
24	525 88 74-02	SCREW CITXPANT		1	
25	503 44 32-01	FILTER		1	
26	506 49 58-01	THROTTLE CABLE ASSY		1	
27	522 75 19-01	SCREW ITXSCFM		1	

**K** T540 XP  
HANDLE

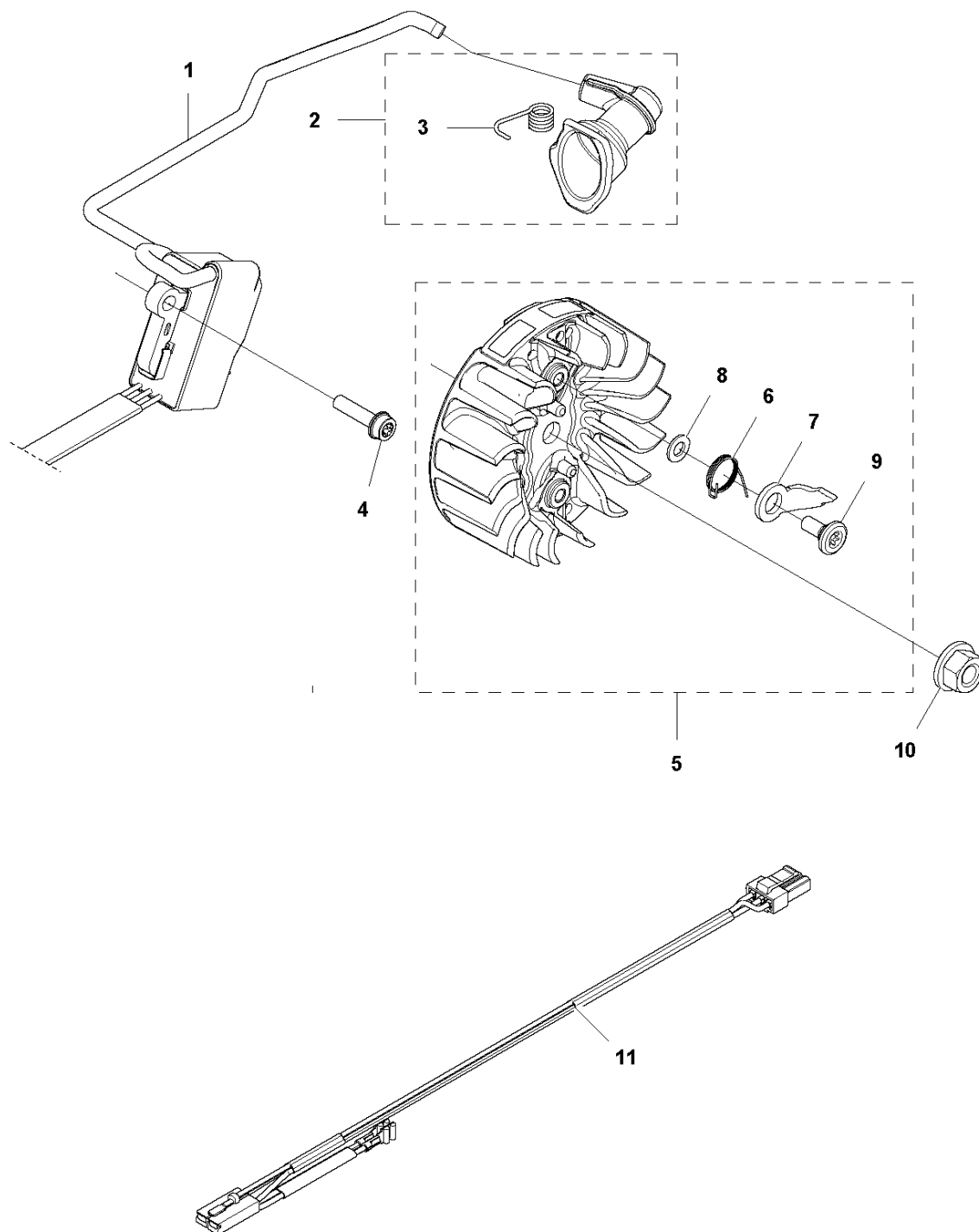


HANDLE

T540XP

Ref	Part No	Description	Remark	QTY KIT
1	506 49 52-03	FRONT HANDLE		1
2	510 36 34-01	ANTIVIBRATION ELEMENT		1
3	525 76 25-01	SCREW ITXSCM		1
4	525 79 81-02	SCREW ITXSCFT		1

**M** T540 XP  
IGNITION SYSTEM



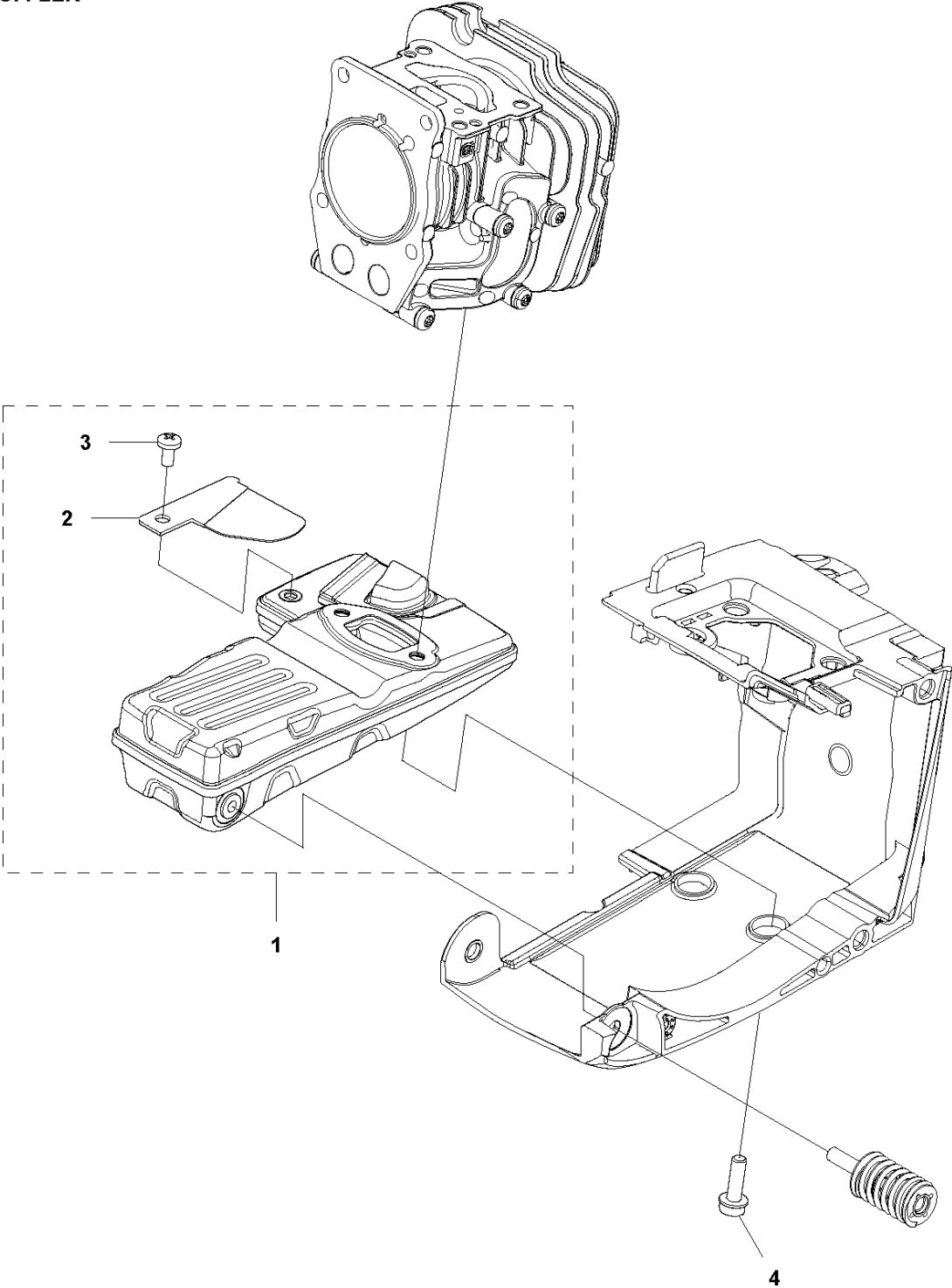


## IGNITION SYSTEM

T540XP

Ref	Part No	Description	Remark	QTY KIT	
1	585 08 10-01	IGNITION MODULE		1	
2	578 11 16-01	SPARK PLUG CAP		1	
3	501 48 56-01	CONTACT SPRING		1	
4	525 75 52-03	SCREW ITXSCFM		2	
5	510 16 98-01	FLYWHEEL ASSY		1	
6	529 27 11-01	SPRING		2	5
7	537 24 56-01	STARTER PAWL		2	5
8	503 23 00-42	WASHER		2	5
9	506 00 69-02	SCREW		2	5
10	503 22 04-01	NUT		1	
11	577 07 06-01	WIRING ASSY		1	

**F** T540 XP  
MUFFLER

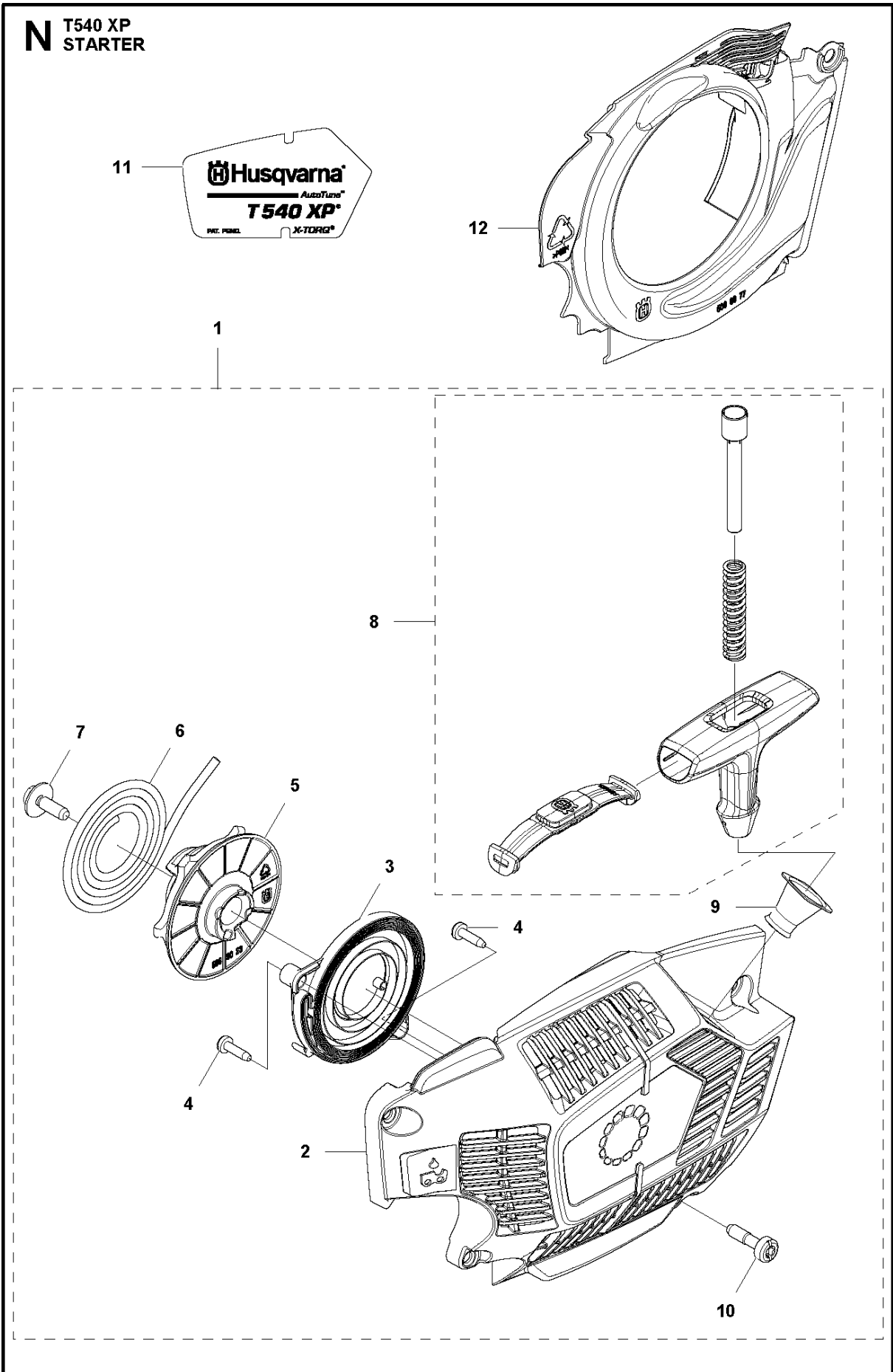


MUFFLER

T540XP

Ref	Part No	Description	Remark	QTY	KIT
1	505 40 79-01	MUFFLER ASSY		1	
2	505 40 85-01	SPARK ARRESTER SCREEN		1	1
3	724 12 87-59	SCREW CRPANM		1	1
4	525 75 52-02	SCREW ITXSCFM		2	

**N** T540 XP  
STARTER



## STARTER

T540XP

Ref	Part No	Description	Remark	QTY	KIT
1	506 90 21-02	STARTER ASSY		1	
2	506 90 22-01	STARTER COVER		1	1
3	506 91 00-01	SPRING CASSETTE ASSY		1	1
4	525 88 74-01	SCREW CITXPANT		2	1
5	506 90 23-01	STARTER PULLEY		1	1
6	505 30 51-03	STARTER CORD		1	1
7	525 76 47-01	SCREW CITXSCT		1	1
8	584 15 62-01	STARTER HANDLE ASSY		1	1
9	537 28 32-01	REINFORCEMENT SLEEVE		1	1
10	525 82 45-01	SCREW CITXPANMO		4	1
11	506 94 19-01	DECAL		1	
12	506 60 77-02	AIR CONDUCTOR		1	

# Illustrated Parts List - IPL Update



Product Name(s)

T540XP

Description of change

1. Filter holder assy; Improved filter compensation. 506 94 84-02.
2. Inlet pipe assy: The attachment of the suction hose 577 40 64 is improved with a new nipple on the inlet pipe, 525 39 68-02.
3. New screw, 577 40 12-02.
4. Rear anti vibration holder improved on cylinder cover, 516 03 46-02.
5. New fuel tank kit. Fixing of the wiring is improved and a new cable cover is included.

Comments

Old cable cover 522 62 09-01 does not fit in new fuel tank 522 59 02-02. (See new fuel tank ,kit 588 45 43-01.)  
All other changes are Fully interchangeable.

Introduced from

Serial number / Date	Remark
S/n 20152300001	Filter holder assy 506 94 84-02
S/n 20152300001	Inlet pipe assy 525 39 68 -02.
S/n 20150700001	New screw 577 40 12-02.
S/n 20152300001	Cylinder cover, 516 03 46-02.
S/n 20152300001	Fuel tank, kit 588 45 43-01 (522 59 02-02 + 522 62 09-02).

IPL updates

Page Title	Ref. no	New part no	Name	Excl. part no.	Remark
Carburetor & air filter	7	506 94 84-02	Filter holder assy	506 94 84-01	
Carburetor & air filter	18	525 39 68-02	Inlet pipe assy	525 39 68-01	
Carburetor & air filter	24	577 40 12-02	Screw ITXSCM	577 40 12-01	
Cylinder cover	1	516 03 46-02	Cylindercover assy.	516 03 46-01	
Cylinder & piston	8	577 40 12-02	Screw ITXSCM	577 40 12-01	
Fuel tank	4	522 62 09-02	Cable cover	522 62 09-01	
Fuel tank	6	588 45 43-01	Fuel tank, kit	522 59 02-01	