

IPL, LC 351V, 2015-03, V11000002

965159503-03

LC 351V

Spare parts

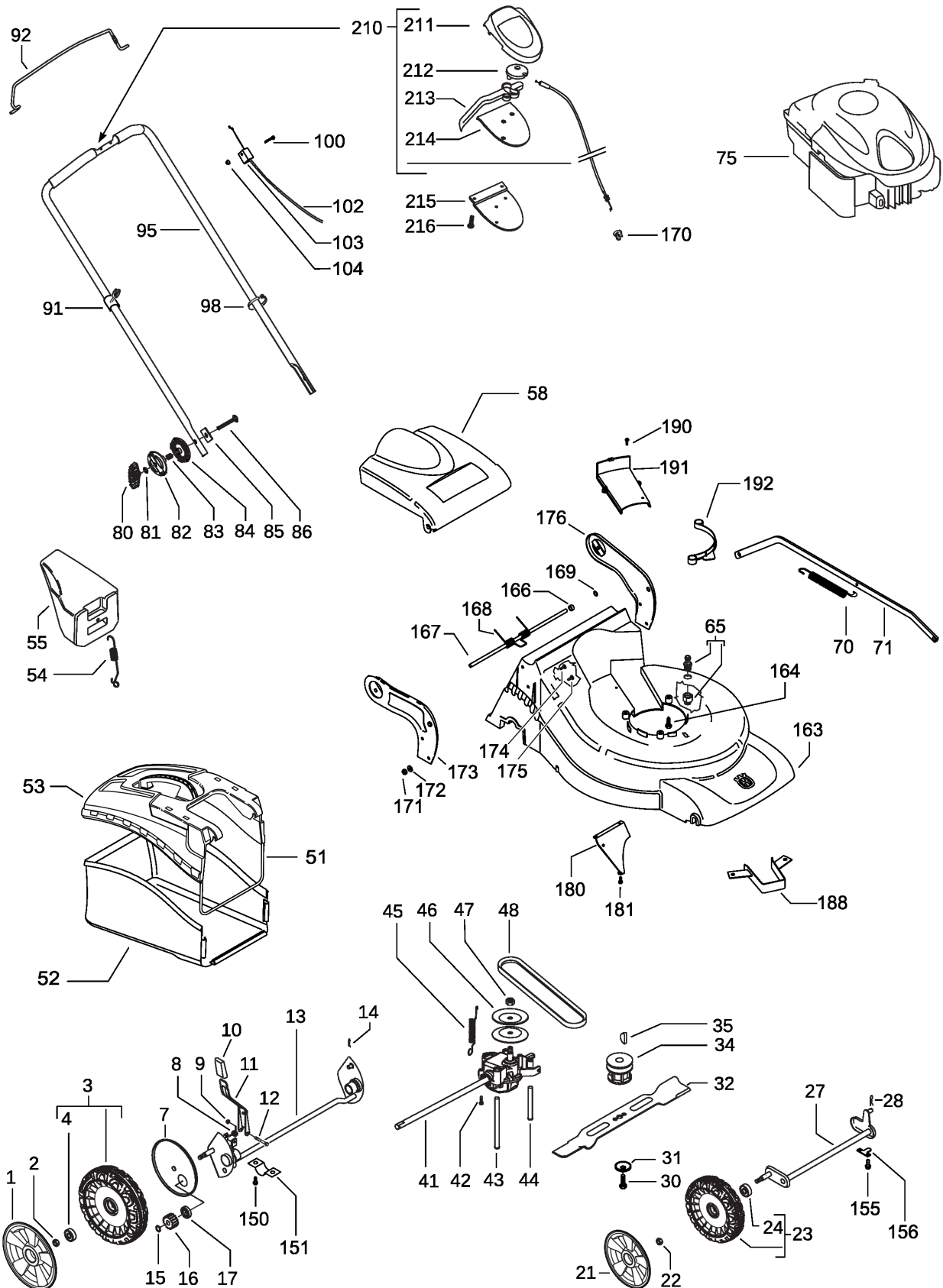
Ersatzteile

Pièces détachées

Reserve onderdelen

Repuestos

Reservdelar



Item	PN	Description	Qty
1	544 44 39-01	wheel cover Ø210	2
2	504 85 78-01	nut M8, self locking, flanged	2
3	544 91 69-04	wheel assy Ø210	2
4	531 20 87-78	ball bearing	4
7	504 82 73-01	dust shield Ø210	2
8	583 95 13-02	spring, wheel regulator lever	1
9	531 20 84-92	nut M5, self locking	1
10	574 61 05-01	handle, wheel regulator	1
11	581 17 86-01	wheel regulator lever	1
12	538 23 58-07	screw M5x45	1
13	504 80 01-01	rear axle	1
14	531 20 66-53	cotter pin	1
15	531 20 87-72	seeger	2
16	544 34 23-01	gear	2
17	531 20 87-78	ball bearing	2
21	544 44 40-01	wheel cover Ø190	1
22	504 85 78-01	nut M8, self locking, flanged	2
23	544 91 73-02	wheel assy Ø190	2
24	531 20 87-78	ball bearing	4
27	504 85 65-01	front axle	1
28	531 20 66-53	cotter pin	1
30	531 20 66-49	screw, 3/8"	1
31	531 20 72-37	spring washer	1
32	504 11 33-10	mulching blade	1
34	504 59 13-02	blade support	1
35	504 59 14-01	key	1
41	544 42 89-03	gear box	1
42	510 03 75-01	screw 4x16, self threading	2
43	504 10 32-01	belt guide	1
44	544 93 43-01	belt guide	1
45	544 93 47-01	gear box spring	1
46	504 54 79-01	pulley plate	2
47	504 54 80-01	nut	1
48	504 03 51-01	belt Z33 10X825	1
51	501 32 24-01	sack frame	1
52	531 21 35-44	sack	1
53	577 87 67-03	sack cover	1
54	531 20 58-31	spring, mulching plug	1
55	531 21 32-26	mulching plug	1
58	501 32 23-05	safety flap	1
65	531 20 58-48	snap on connector 1/2"	1
70	531 20 57-15	wheel regulation spring	1
71	531 21 33-78	wheel regulation bar	1
75	———	engine, Briggs & Stratton, model number 1006020008H8	1
80	531 20 58-40	knob	2

Item	PN	Description	Qty
81	531 20 49-22	washer	2
82	531 21 14-74	locking disc, outer	2
83	531 21 14-76	spring	2
84	531 21 14-73	locking disc, inner	2
85	531 21 15-81	plate	2
86	531 21 14-80	screw M8x55	2
91	578 39 93-01	starter cable guide	1
92	544 46 38-01	brake lever	1
95	581 78 31-02	handle	1
98	531 20 55-81	binder	3
100	531 20 63-46	screw	1
102	531 21 35-22	brake cable	1
103	531 20 80-43	cable support	1
104	531 20 52-13	nut	1
150	531 20 73-85	screw	4
151	531 20 66-52	rear axle support	2
155	531 20 78-56	screw	4
156	531 20 55-36	front axle support	2
163	531 21 34-93	deck	1
164	531 21 38-45	screw 3/8 + split washer	3
166	531 20 57-32	spacer	1
167	531 21 33-44	safety flap bar	1
168	501 32 25-01	spring	1
169	584 81 69-03	star washer	2
170	510 41 73-01	cable housing	1
171	531 20 79-82	nut M8	4
172	531 20 79-81	toothed washer	4
173	531 21 20-46	handle support, right	1
174	531 20 57-41	screw M8x16	3
175	531 20 49-21	screw M8x25	1
176	531 21 33-66	handle support, left	1
180	501 96 60-01	deflector	1
181	531 20 78-56	screw	3
188	544 46 86-01	belt guide	1
190	531 20 78-56	screw	2
191	531 21 32-25	belt cover	1
192	531 20 63-08	cover	1
210	544 93 29-03	EZ control assy	1
211	532 18 82-79	upper cover	1
212	532 40 62-62	pulley	1
213	532 19 02-83	lever	1
214	532 18 82-78	lower cover	1
215	532 18 70-97	plate	1
216	532 18 16-98	screw	5