

**ILLUSTRATED PARTS LIST**

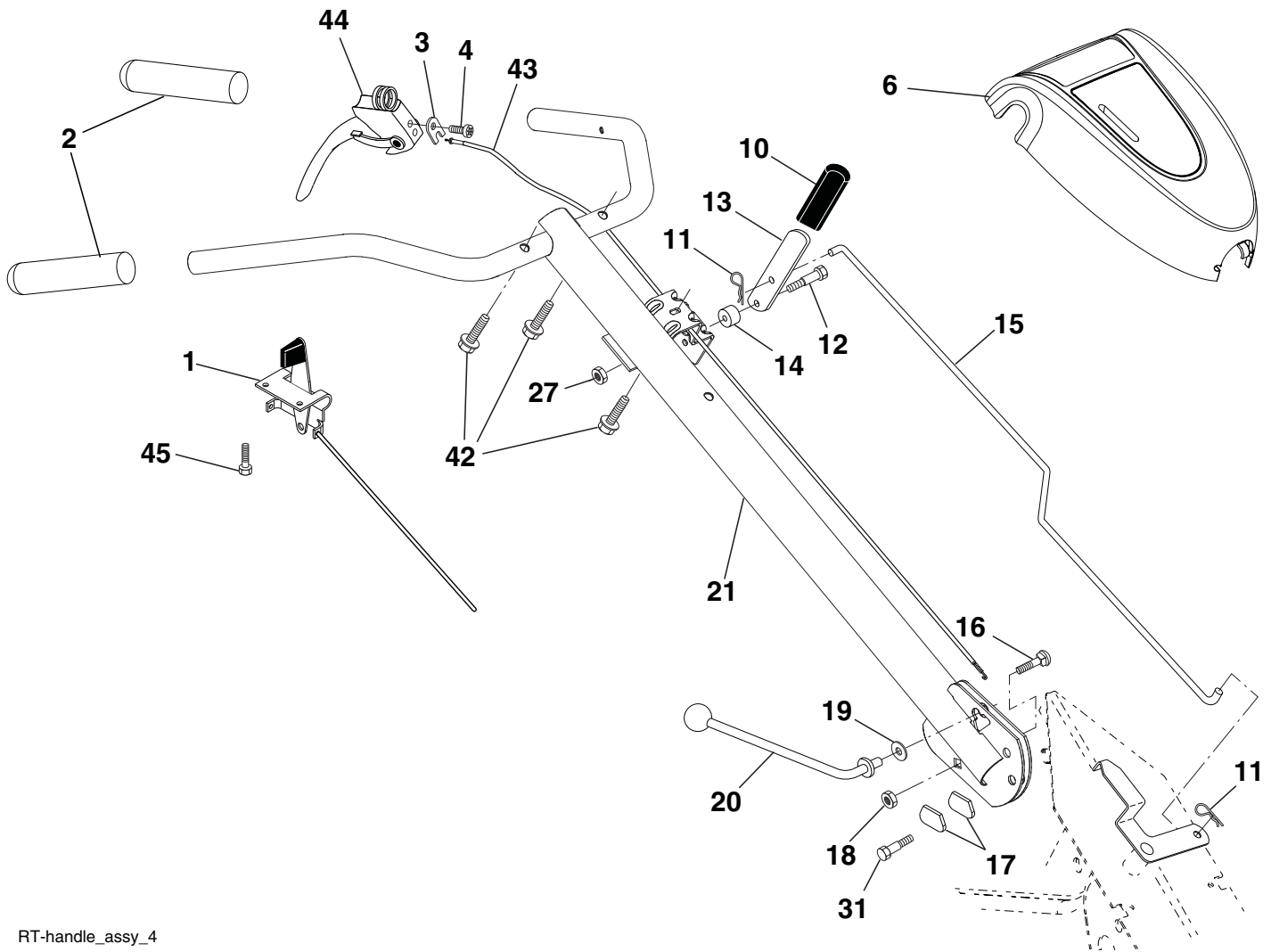
**BRAND: HUSQVARNA**

**REAR TINE TILLER**

**MODEL NUMBER: TR 430 DUAL**

**MFG. ID. NUMBER: 96091001804**

# HUSQVARNA TILLER - MODEL NUMBER TR 430 DUAL (MFG. ID. NO. 96091001804) HANDLE ASSEMBLY



RT-handle\_assy\_4

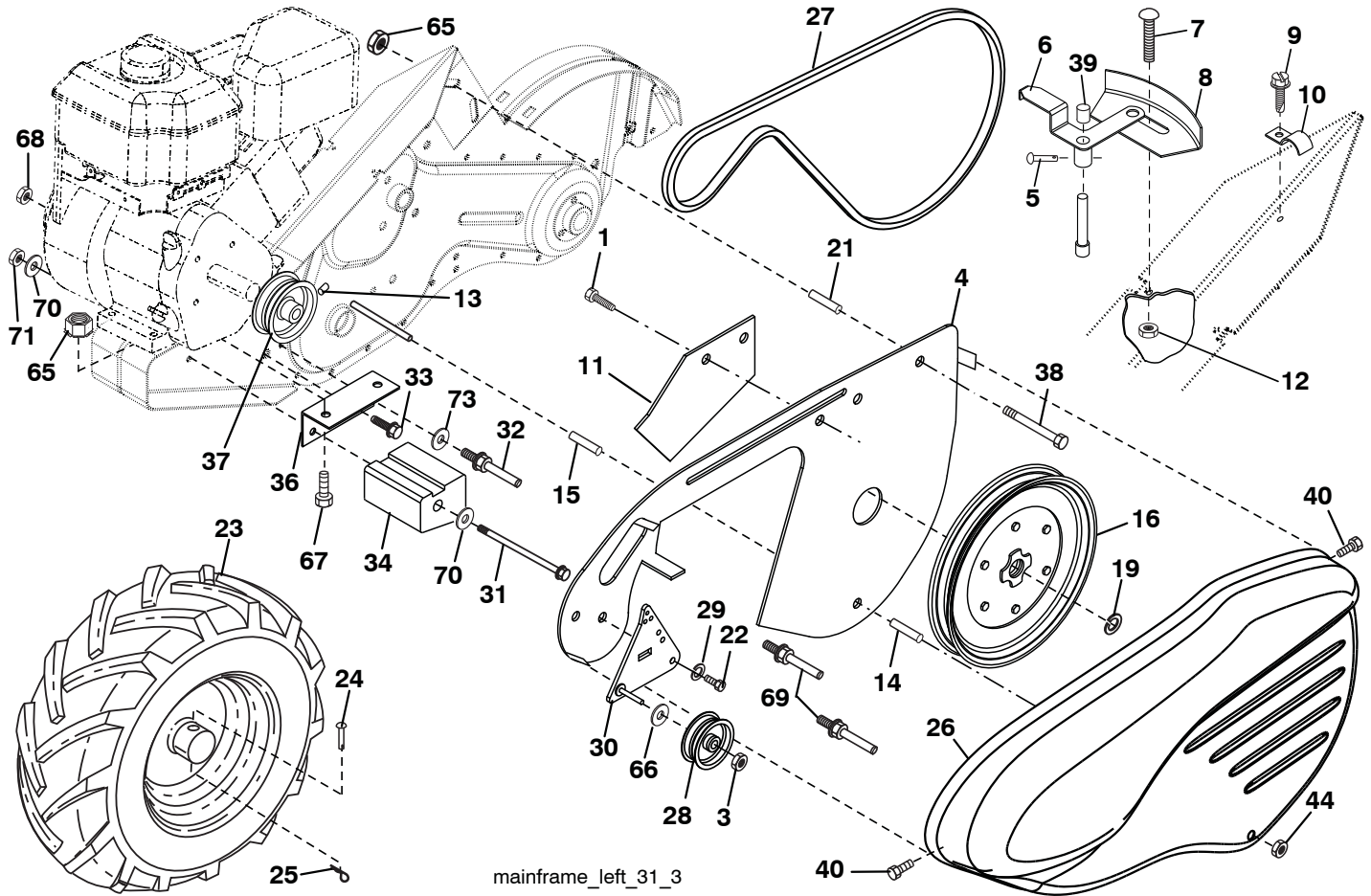
KEY NO.	PART NO.	DESCRIPTION
1	532 43 18-53	Control, Throttle
2	532 42 76-43	Grip, Handle
3	589 28 41-02	Clip, Retainer
4	818 10 10-08	Screw, Torx
6	532 44 60-02	Panel, Control
10	532 12 47-97	Grip, Handle
11	532 12 47-88	Clip, Hairpin
12	532 08 13-28	Bolt, Shoulder
13	581 96 06-01	Handle, Shift
14	532 10 93-13	Grommet, Rubber
15	532 13 84-00	Rod, Shift
16	872 11 06-08	Bolt, Carriage, Grade 5, 3/8-16 x 1
17	532 10 92-29	Lock, Handle

KEY NO.	PART NO.	DESCRIPTION
18	873 68 06-00	Nut, Crownlock 3/8-16 UNC
19	819 13 16-11	Washer 13/32 x 1 x 11 Gauge
20	532 10 92-28	Lever, Lock, Handle
21	532 44 61-56	Handle
27	873 90 04-00	Nut, Hex, Flanged, 1/4-20 UNC
31	532 15 06-96	Bolt, Pivot
42	532 41 63-58	Screw
45	532 42 17-56	Screw, #10 x 1/2 BOS Thread
43	532 43 87-95	Cable, Handle Tine Control
44	532 43 87-82	Control, Handle, Two Function

**NOTE:** All component dimensions given in U.S. inches.  
1 inch = 25.4 mm

# HUSQVARNA TILLER - MODEL NUMBER TR 430 DUAL (MFG. ID. NO. 96091001804)

## MAINFRAME, LEFT SIDE

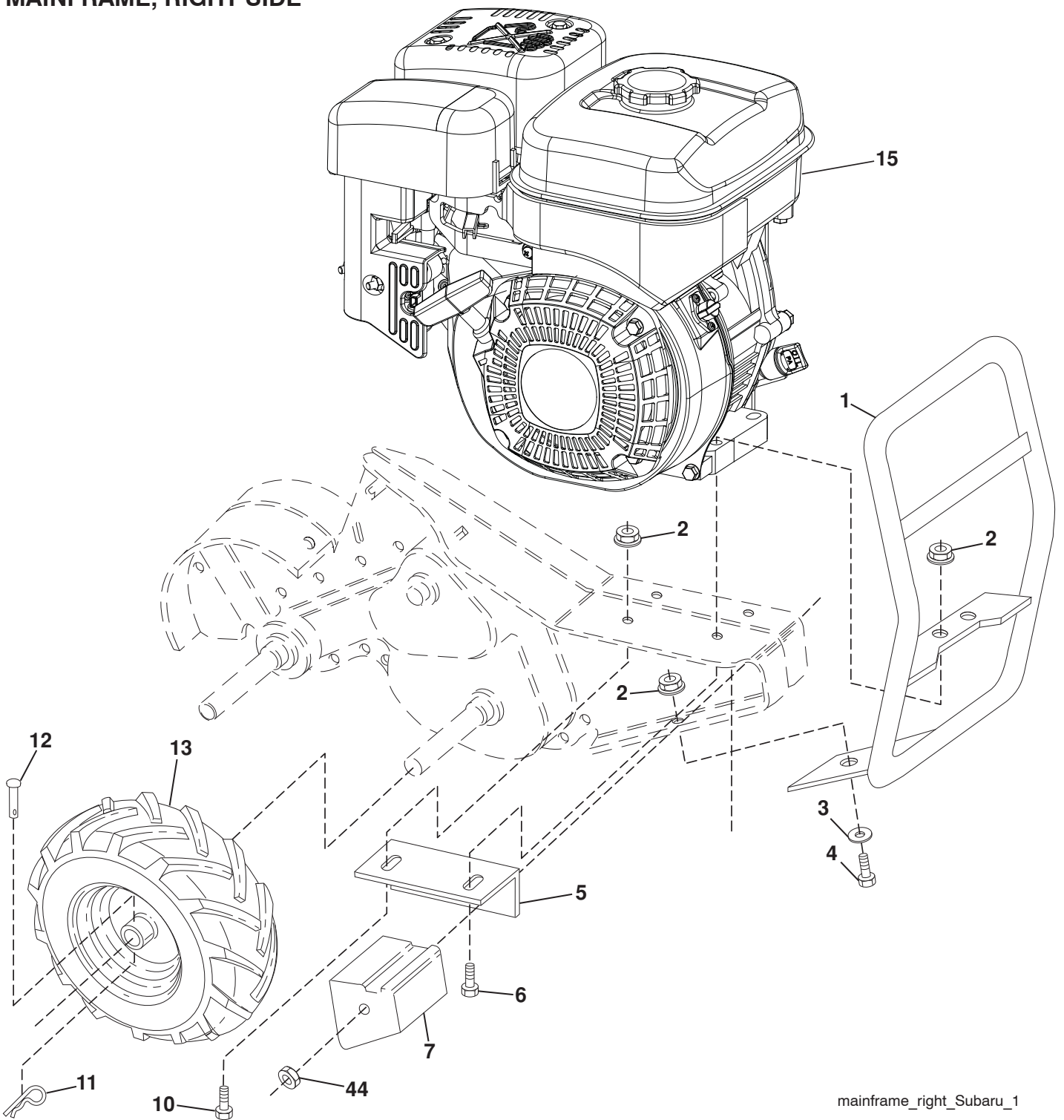


KEY NO.	PART NO.	DESCRIPTION
1	532 18 92-41	Screw
3	873 93 06-00	Nut, Centerlock, 3/8-16 UNC
4	583 87 77-01	Shield, Inner, Belt Guard, R.H.
5	532 16 43-29	Pin, Spiral Flared
6	532 16 27-56	Lever, Shift
7	872 11 04-04	Bolt, Carriage, Grade 5 1/4-20 x 1/2
8	583 87 92-01	Plate, Shift Indicator
9	532 08 67-77	Screw, Hex Washer Head, Slotted #10-24 x 1/2
10	532 44 60-45	Clip
11	587 83 61-01	Guard
12	873 51 04-00	Nut, Hex, Keps 1/4-20 UNC
13	823 23 05-06	Screw, Set, Hex 5/16-18 x 3/8
14	532 15 61-17	Spacer, Split 0.327 x 0.42 x 1.72
15	585 83 12-01	Spacer
16	532 14 51-02	Sheave, Transmission
19	812 00 00-28	Retainer, Ring
21	585 83 08-01	Spacer, Split
22	874 77 05-08	Bolt, Hex Head, 5/16-24 UNF x 1/2
23	581 50 99-02	Wheel & Tire Assembly
24	532 17 12-71	Rivet, Drilled
25	532 12 47-88	Clip, Hairpin
26	532 44 04-38	Guard, Belt
27	532 13 28-01	Belt, V
28	532 10 46-79	Pulley, Idler

KEY NO.	PART NO.	DESCRIPTION
29	812 00 00-32	Ring, Klip
30	584 28 92-01	Bracket, Idler
31	581 74 72-01	Bolt, Hex Head, 5/16-16 x 12
32	532 10 21-41	Shaft, Idler Arm
33	874 76 06-16	Bolt, Hex Head, 3/8-16 x 1
34	581 01 06-01	Counterweight, L.H.
36	581 86 48-01	Bracket, Reinforcement, L.H.
37	582 03 20-01	Sheave, Engine
38	874 76 05-44	Bolt, Hex Head 5/16-18 UNC x 2-3/4
39	532 14 00-62	Cap, Plunger, Black
40	532 17 04-88	Screw, Hex Washer Head, Slotted #10-24 x 1/2
44	873 80 05-00	Locknut, Hex, with Washer Insert 5/16-18 UNC
65	873 97 05-00	Locknut, Hex, Flanged
66	819 13 13-16	Washer, Flat, 3/8 SAE
67	874 76 05-28	Bolt, Hex Head, 5/16-18 x 1-3/4
68	873 51 06-00	Nut, Hex, Keps, 3/8-16 UNC
69	532 16 41-73	Keeper, Belt, Engine
70	819 13 20-12	Washer, Flat
71	873 68 06-00	Nut, Hex
73	819 13 13-12	Washer 13/32 x 13/16 x 12 Gauge

**NOTE:** All component dimensions given in U.S. inches.  
1 inch = 25.4 mm

**HUSQVARNA TILLER - MODEL NUMBER TR 430 DUAL (MFG. ID. NO. 96091001804)**  
**MAINFRAME, RIGHT SIDE**



mainframe\_right\_Subaru\_1

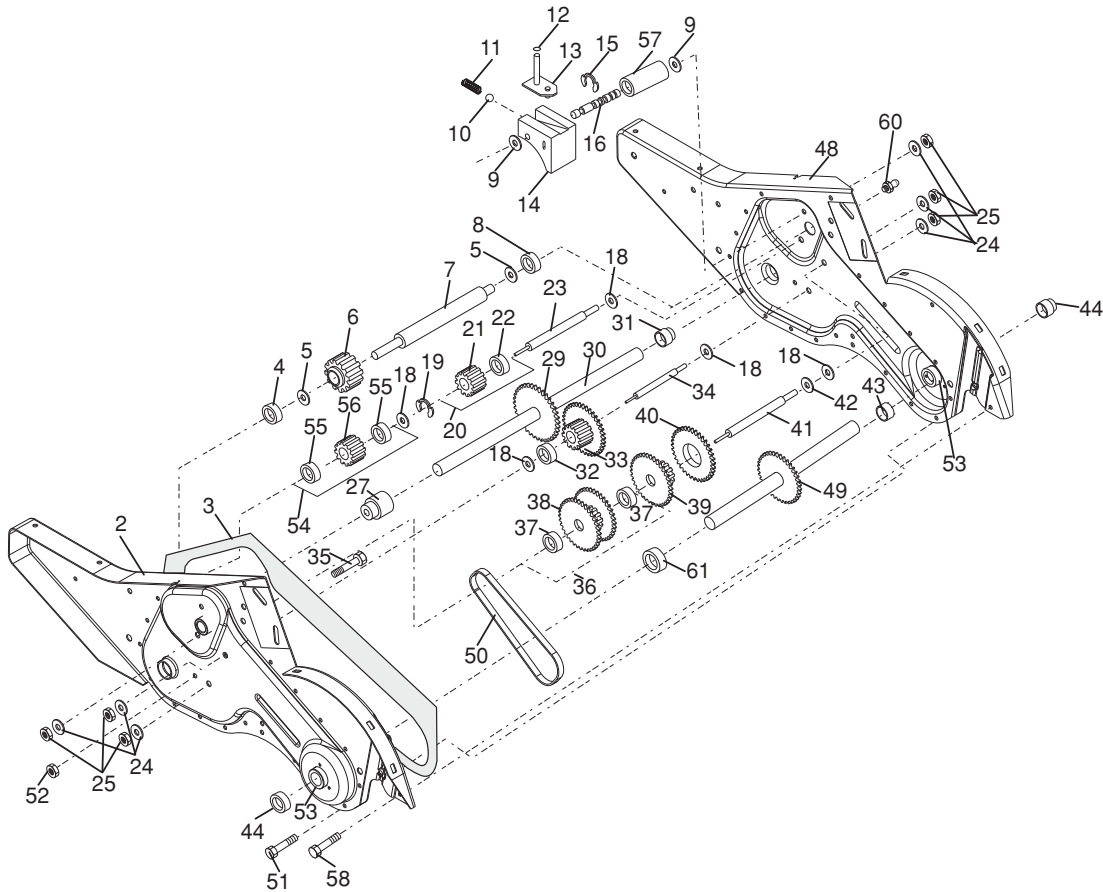
KEY NO.	PART NO.	DESCRIPTION
1	583 87 93-01	Bumper Assembly
2	873 97 05-00	Locknut, Hex, Flanged, 5/16-18
3	819 11 11-16	Washer, 11/32 x 11/16 x 16 Gauge
4	874 76 05-12	Bolt, 5/16-18 x 3/4
5	581 86 47-01	Bracket, Reinforcement
6	874 76 05-28	Bolt, 5/16-18 x 1-3/4
7	581 01 04-01	Counter Weight, R.H.
10	874 76 05-24	Bolt, Hex Head, 5/16-18 x 1-1/2

KEY NO.	PART NO.	DESCRIPTION
11	532 12 47-88	Clip, Hairpin
12	532 17 12-71	Rivet, Drilled
13	581 50 99-01	Wheel & Tire Assembly
15	---	Engine, Subaru, Model Number EX170DT1071 (Order parts from Subaru)
44	873 51 06-00	Nut, Hex, Keps, 3/8-16 UNC

**NOTE:** All component dimensions given in U.S. inches  
 1 inch = 25.4 mm

# HUSQVARNA TILLER - MODEL NUMBER TR 430 DUAL (MFG. ID. NO. 96091001804)

## TRANSMISSION

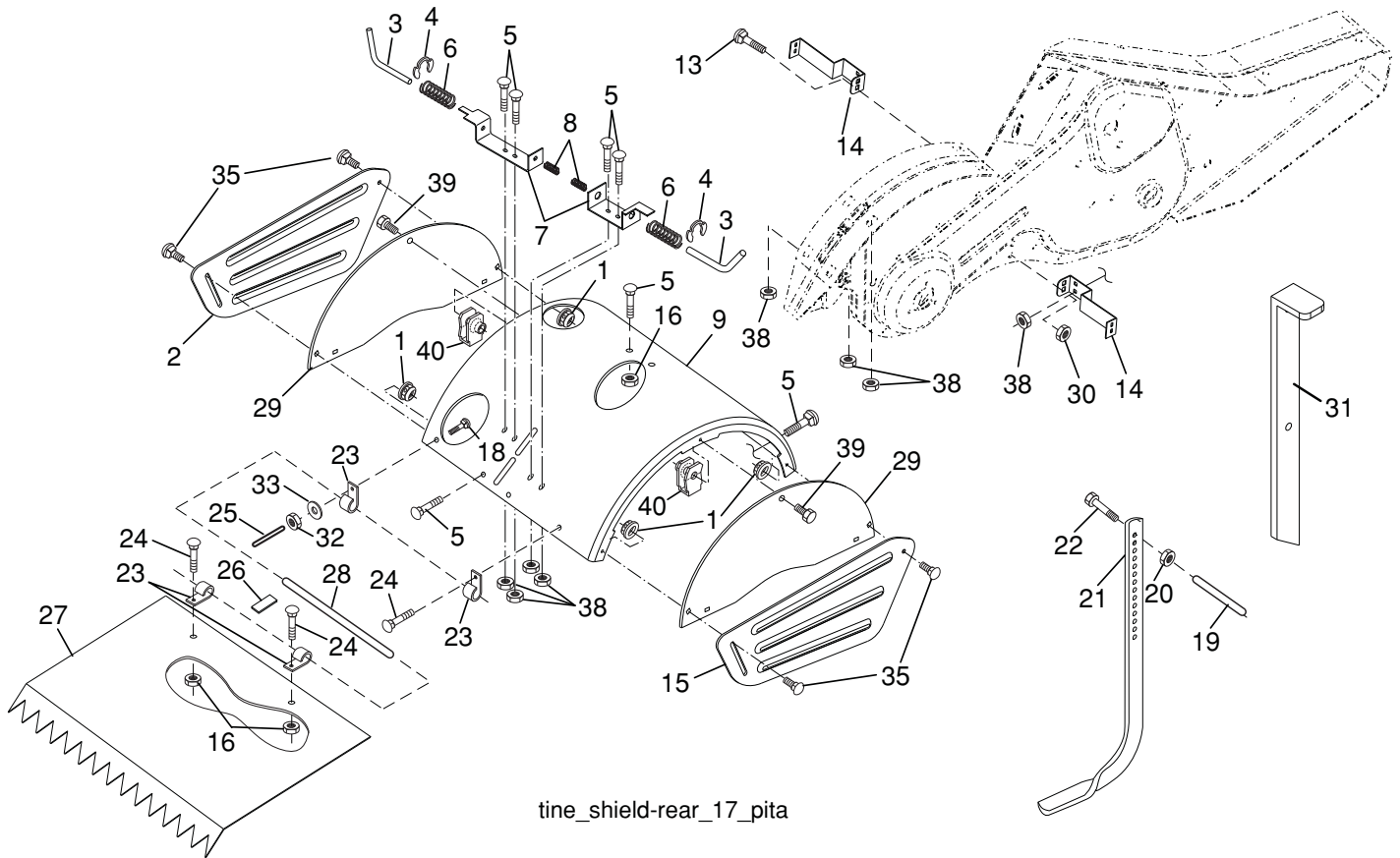


KEY NO.	PART NO.	DESCRIPTION	KEY NO.	PART NO.	DESCRIPTION
1	585 92 38-01	Transmission Assembly (Includes Key Numbers 2–52)	33	532 10 21-21	Sprocket and Gear Assembly
2	532 18 82-20	Gearcase, L.H., w/Bearing (Includes Key Number 4)	34	532 10 21-12	Shaft, Reduction (2nd)
3	532 43 10-22	Gasket, Gearcase	35	532 10 21-01	Screw, Whizlock, 5/16-18 x 3-1/2
4	532 00 50-20	Bearing, Needle	36	532 16 15-24	Sprocket Assembly, w/Bearing (Includes Key Numbers 37 and 38)
5	532 00 13-70	Washer, Thrust, 5/8 x 1.10 x 1/32	37	532 10 04-13	Bearing, Needle
6	586 19 62-01	Pinion, Input	38	532 16 15-25	Sprocket, Tine
7	532 16 15-18	Shaft, Input	39	532 16 15-26	Gear, Cluster, Red, 1st & 2nd
8	532 00 48-95	Bearing, Needle	40	532 10 53-46	Gear, Reverse
9	532 15 44-67	Washer, Seal	41	532 16 15-23	Shaft, Reduction (1st)
10	532 00 73-92	Ball, Steel	42	532 00 42-20	Washer, Thrust
11	532 10 03-71	Spring, Shift, Fork	43	532 10 61-46	Spacer, 1.01 x 1.75 x 0.760
12	532 10 61-60	O-Ring	44	532 15 52-36	Seal Assembly, Oil
13	532 14 21-45	Arm, Shift	48	532 18 82-35	Gearcase, R.H., w/Bearing (Includes Key Number 8)
14	532 00 83-53	Fork, Shift	49	532 43 14-85	Shaft, Tine
15	812 00 00-39	Ring, Klip	50	532 10 61-47	Chain, Roller, #50-50 Pitch
16	532 16 15-16	Shaft, Shift	51	817 72 04-08	Screw, 1/4-20 x 1/2
18	532 00 43-58	Washer	52	873 22 05-00	Nut, Hex, 5/16-18
19	812 00 00-40	Ring, Klip	53	532 16 51-40	Bearing Kit, Tine Shaft
20	532 10 21-14	Gear Assembly, Reverse Idler (Includes Key Numbers 21 and 22)	54	532 16 15-28	Gear, DRT, Idler, w/Bearing (Includes Key Number 55)
21	532 10 21-15	Gear, Reverse Idler	55	532 00 34-00	Bearing, Needle
22	532 00 68-03	Bearing, Needle	56	532 16 15-29	Gear, DRT, Idler
23	532 16 15-27	Shaft, Reverse Idler	57	532 16 58-89	Spacer, Split, .52 x .64 x 1.04
24	810 04 07-00	Washer, Lock, 7/16	58	532 17 95-20	Screw, 1/4-20 x .875
25	873 61 07-00	Nut, Hex, 7/16-20	60	532 18 32-26	Fitting, Grease
27	532 43 12-19	Bearing, Shaft, Ground Drive, L.H.	61	532 43 10-15	Spacer, 1.015 x 1.50 x .656
29	532 10 21-34	Chain #35-50 Pitch	--	532 00 60-66	Grease, Plastilube #1
30	532 15 07-37	Ground Shaft Assembly			
31	532 14 30-08	Bearing, Shaft, Ground Drive, R.H.			
32	532 10 63-88	Spacer 0.70 x 1.00 x 1.150			

**NOTE:** All component dimensions given in U.S. inches  
1 inch = 25.4 mm

# HUSQVARNA TILLER - MODEL NUMBER TR 430 DUAL (MFG. ID. NO. 96091001804)

## TINE SHIELD

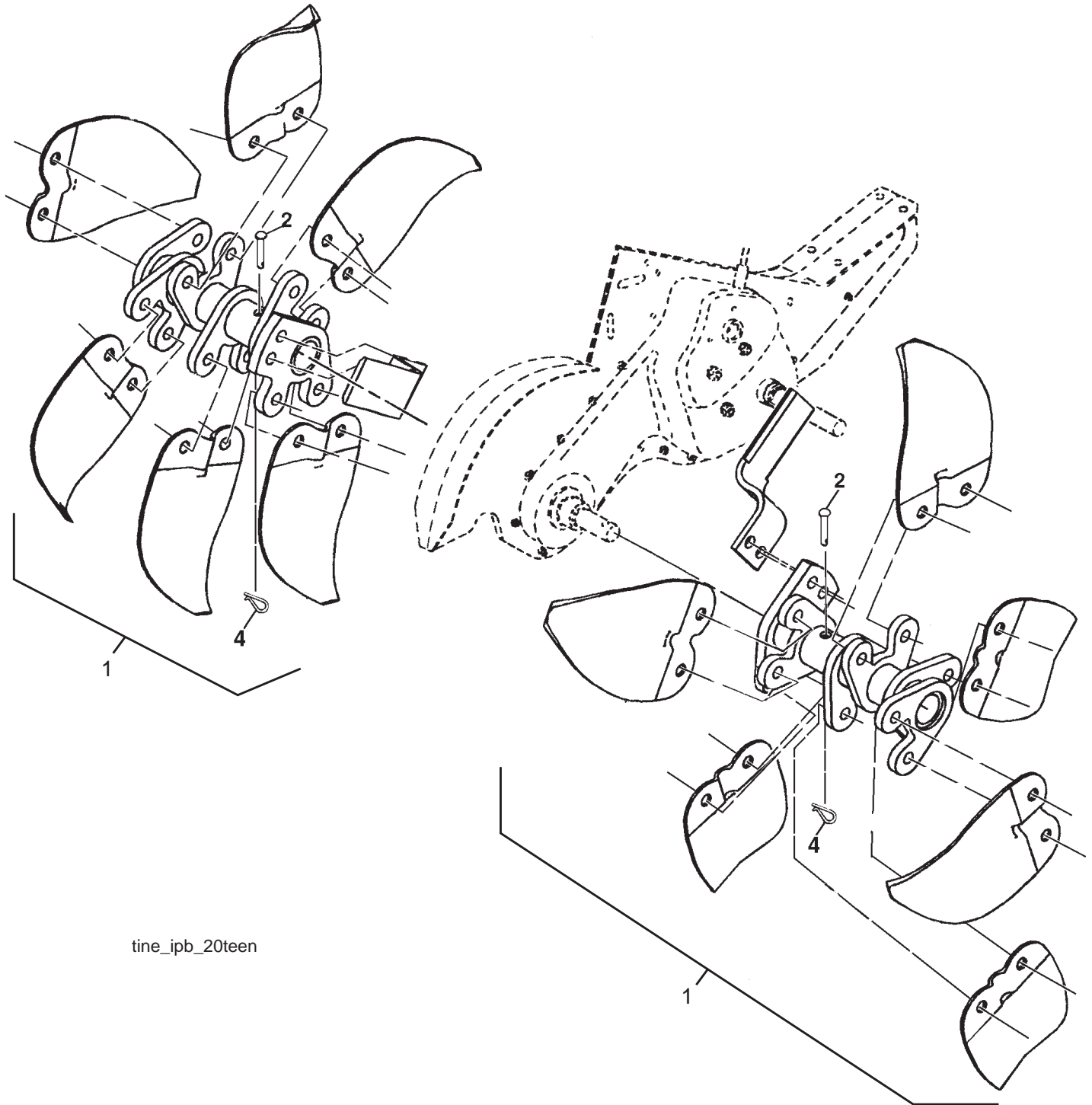


tine\_shield-rear\_17\_pita

KEY NO.	PART NO.	DESCRIPTION	KEY NO.	PART NO.	DESCRIPTION
1	532 15 53-77	Locknut, Hex, Flanged, 5/16-18 UNC	22	874 93 06-32	Bolt, Hex Head, 3/8-16 x 2
2	532 44 04-52	Shield, Side, Outer, L.H.	23	532 00 44-40	Hinge
3	532 00 83-93	Pin, Depth Stake	24	872 14 04-04	Bolt, Carriage, 1/4-20 x 1/2
4	812 00 00-35	Ring, Klip	25	532 12 47-17	Cap, Vinyl
5	532 18 08-47	Bolt, Carriage, 5/16-18 x 3/4	26	532 10 92-27	Pad, Idler
6	532 00 83-94	Spring	27	532 44 04-48	Shield, Leveling
7	581 85 08-01	Bracket, Latch	28	532 12 05-88	Pin, Hinge
8	532 10 92-30	Spring, Depth Stake	29	581 81 27-06	Shield, Side
9	532 44 04-44	Shield, Tine	30	873 97 05-00	Locknut, Hex, Flanged
13	872 11 05-10	Bolt, Carriage, 5/16-18 x 1-1/4	31	581 82 62-01	Stake, Drag
14	581 84 88-01	Bracket, Shield, Tine	32	873 22 04-00	Nut, Hex, 1/4-20 UNC
15	532 44 04-50	Shield, Side, Outer, R.H.	33	810 04 04-00	Washer, Lock, Heavy Helical, 1/4
16	873 90 04-00	Nut, Hex, Flanged, 1/4-20	35	872 11 05-05	Bolt, Carriage
18	872 04 04-10	Bolt, Carriage, Grade 5 1/4-20 x 1-1/4	38	873 51 05-00	Nut, Hex, Keps, 5/16-18 UNC
19	532 10 27-01	Grip	39	532 42 88-67	Bolt, Hex Head
20	873 22 06-00	Nut, Hex, 3/8-16	40	532 18 11-56	Nut, Speed
21	532 12 50-00	Stake, Depth			

**NOTE:** All component dimensions given in U.S. inches.  
1 inch = 25.4 mm

**HUSQVARNA TILLER - MODEL NUMBER TR 430 DUAL (MFG. ID. NO. 96091001804)**  
**TINE ASSEMBLY**

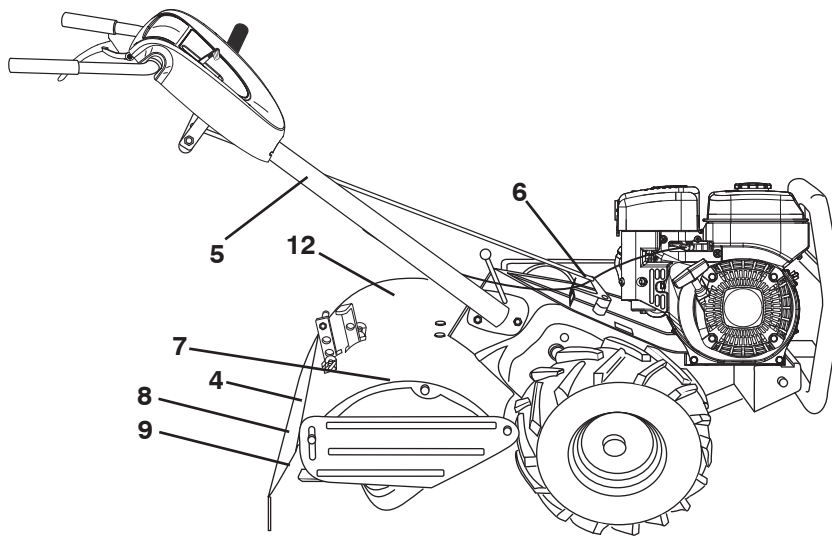
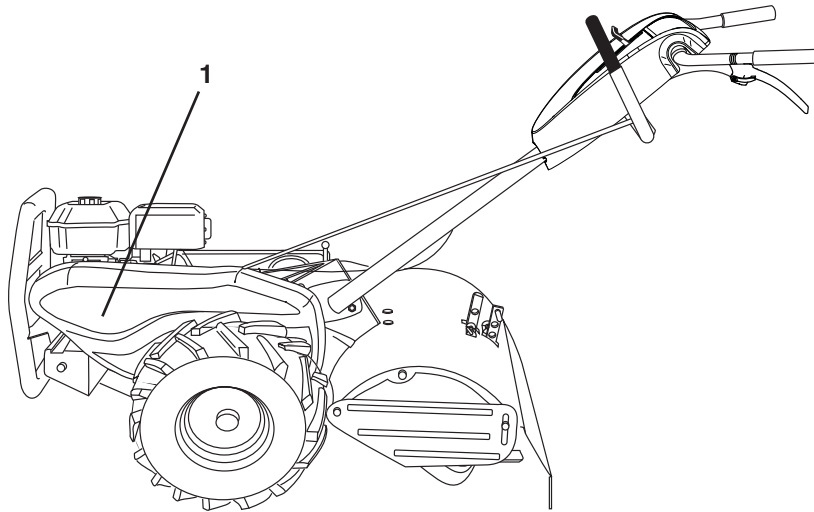


tine\_ipb\_20teen

KEY NO.	PART NO.	DESCRIPTION
1	584 40 67-02	Tine Assembly
2	532 13 26-73	Pin, Shear
4	532 12 46-60	Clip, Hairpin

**NOTE:** All component dimensions given in U.S. inches.  
 1 inch = 25.4 mm

**HUSQVARNA TILLER - MODEL NUMBER TR 430 DUAL (MFG. ID. NO. 96091001804)  
DECALS**



KEY NO.	PART NO.	DESCRIPTION
1	532 42 91-96	Decal, Belt Guard
4	532 19 66-20	Decal, Tine Shield
5	532 15 98-77	Decal, Hand Placement
6	532 19 66-21	Decal, Shift Indicator
7	532 43 88-81	Decal, Reverse
8	532 14 54-37	Decal, Stand, CE.
9	532 17 65-57	Decal, Warning
12	532 43 88-80	Decal, Forward
--	532 44 60-32	Manual, Operator's, European
--	532 44 60-33	Manual, Operator's, Scandinavian
--	532 44 60-34	Manual, Operator's, East Bloc
--	532 44 60-36	Manual, Operator's, Baltic