

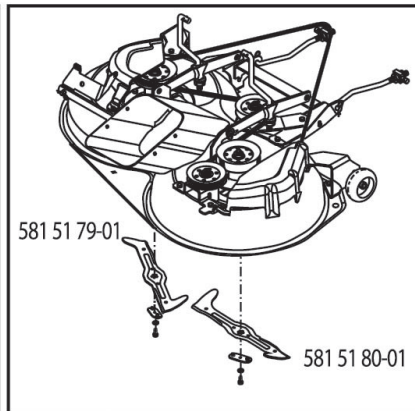
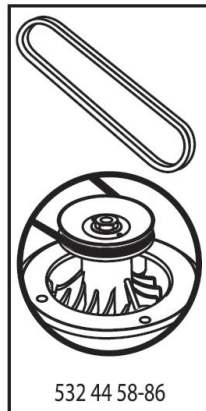
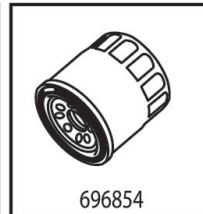
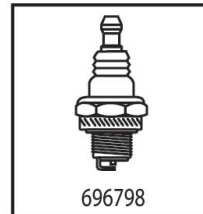
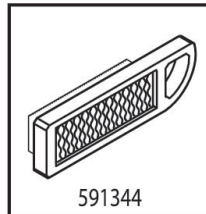
# ILLUSTRATED PARTS LIST

**MFG. ID NO. 96051012101**

**CUSTOMER CATALOG NO. CTH2642TR**

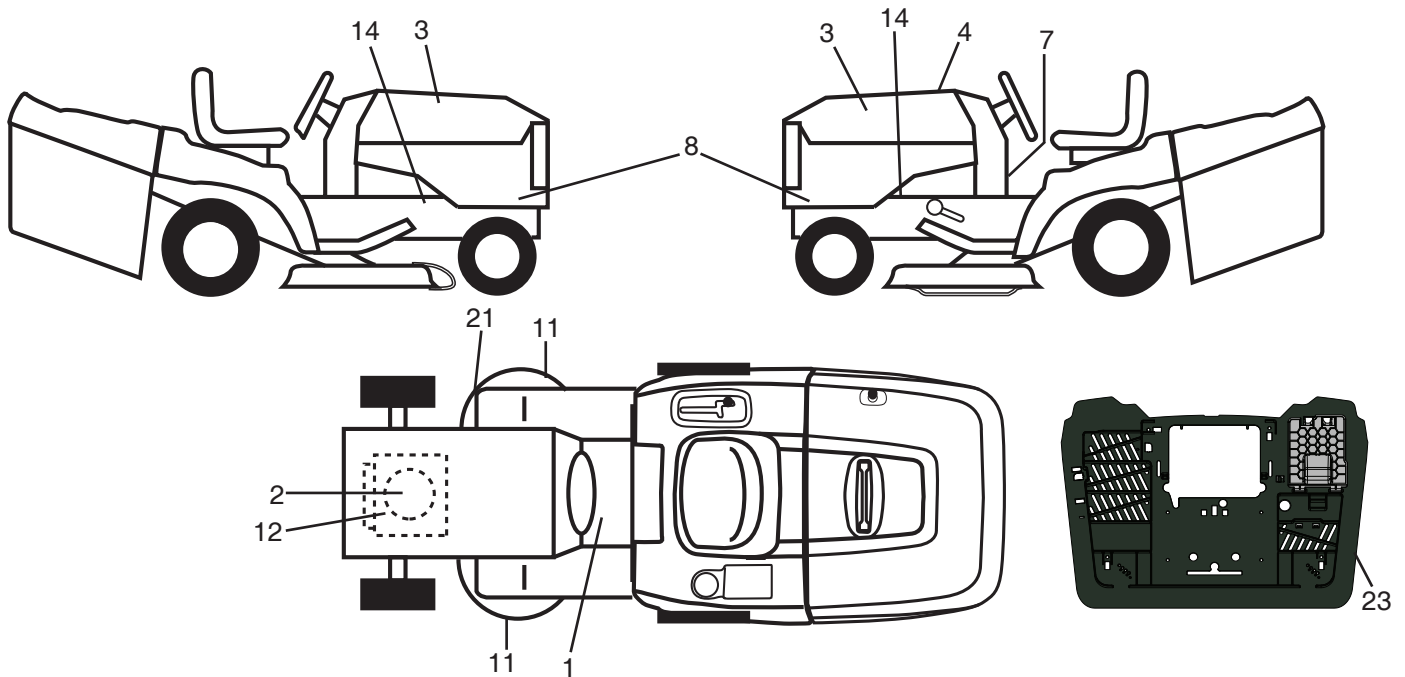
**PRODUCT NO. 960 51 01-21**

**47**



**587563601**

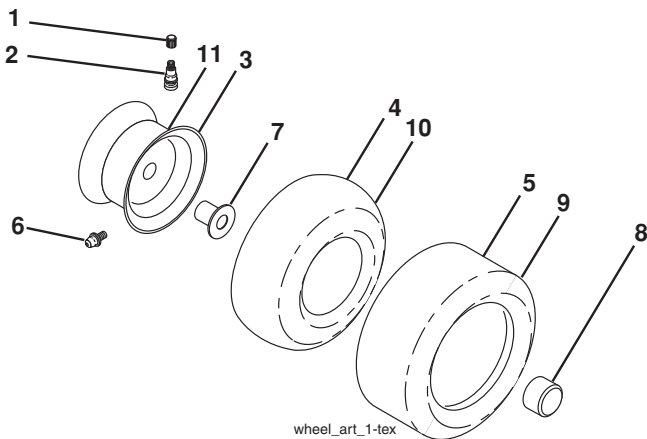
**TRACTOR-MODEL NO. CTH2642TR (96051012101), PRODUCT NO. 9605101-21  
DECALS 27**



KEY NO.	PART NO.	DESCRIPTION
1	581 57 83-01	Decal, Warning
2	581 57 97-01	Decal, Warning Eng. Sym.
3	581 62 73-01	Decal, Hood
4	587 56 36-01	Decal, Replacement
7	581 57 84-01	Decal, Lower Dash
8	585 27 31-01	Decal, Side Panel
11	581 57 91-01	Decal, Cutfinger

KEY NO.	PART NO.	DESCRIPTION
12	587 21 61-01	Decal, Engine
14	581 57 96-01	Decal, Hot Muffler
21	532 44 11-89	Decal, Belt
23	532 44 46-19	Decal, Bypass
--	532 44 14-09	Pad Footrest LH
--	532 44 14-10	Pad Footrest RH
--	587 24 21-27	Manual Operator's (English)

**WHEELS AND TIRES**



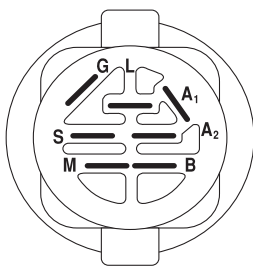
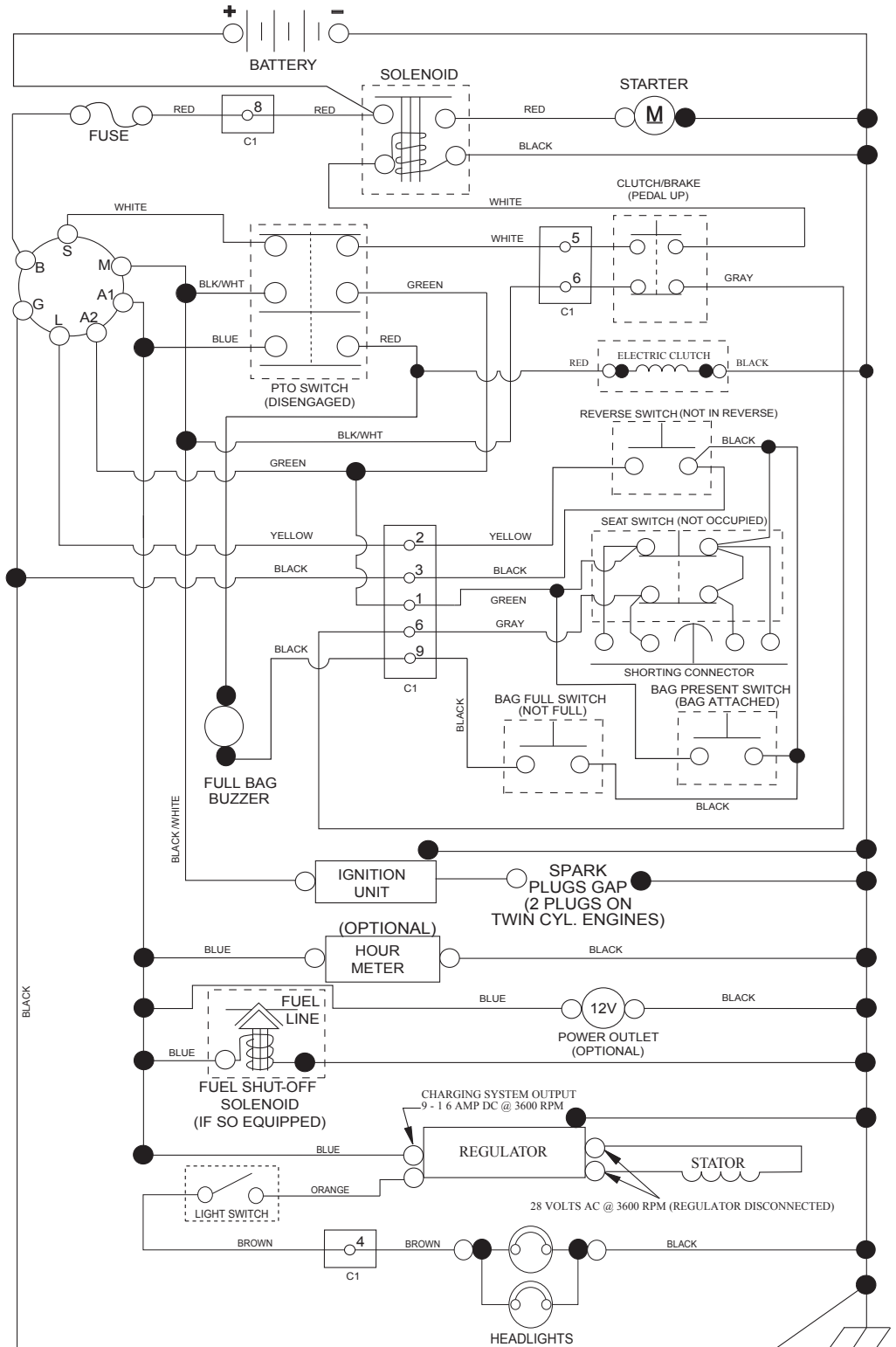
KEY NO.	PART NO.	DESCRIPTION
1	532 05 91-92	Cap Valve Tire
2	532 06 51-39	Stem Valve
3	532 13 83-36	Rim Front
4	532 05 99-04	Tube Front (Service Item Only)
5	532 10 62-22	Tire Front 15 x 6-6
6	532 12 49-57	Fitting Grease (Front Wheel Only)
7	532 12 49-59	Bearing Flange (Front Wheel Only)
8	532 17 50-39	Cap Axle Blk 1 50 x 1 00
9	532 42 05-31	Tire Rear 18 x 9.5-8
10	532 12 49-26	Tube Rear (Service Item Only)
11	532 13 83-37	Rim Asm 8" Rear
--	532 14 43-34	Sealant, Tire (10 oz. Tube)

**NOTE:** All component dimensions given in U.S. inches  
1 inch = 25.4 mm

# TRACTOR - MODEL NO. CTH2642TR (96051012101), PRODUCT NO. 9605101-21

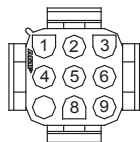
## SCHEMATIC **38**

SCH19

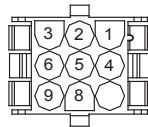


IGNITION SWITCH

POSITION	CIRCUIT	"MAKE"
OFF	M+G+A1	
RUN/OVERRIDE	B+A1	
RUN	B+A1	L+A2
START	B + S + A1	



CHASSIS HARNESS CONNECTOR (C1) (MATING SIDE)



DASH HARNESS CONNECTOR (C1) (MATING SIDE)

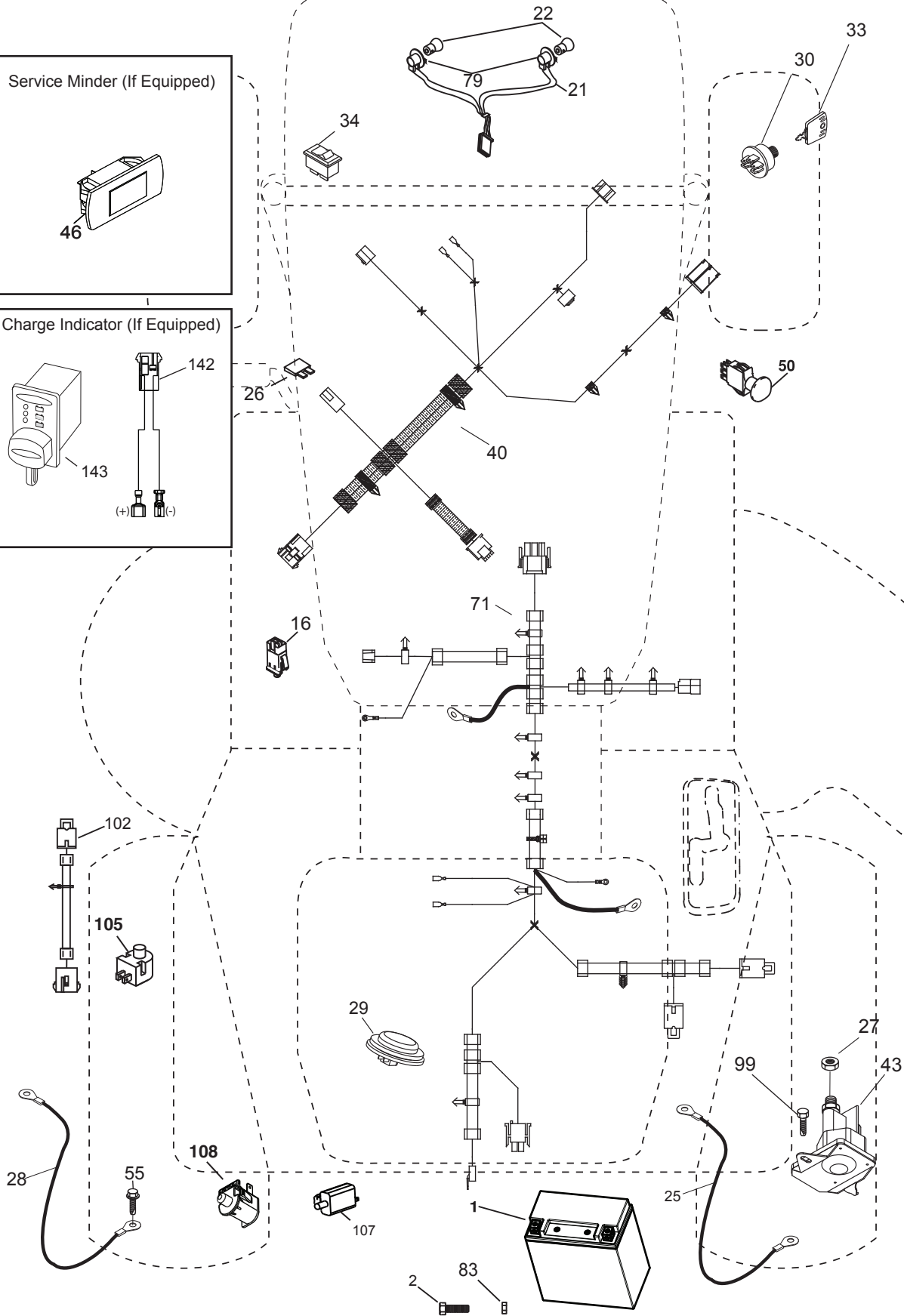
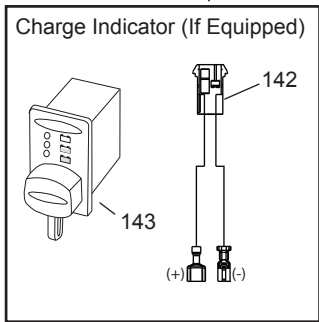
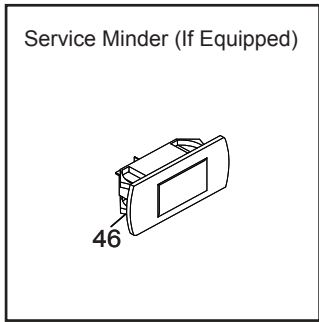
WIRING INSULATED CLIPS  
NOTE: IF WIRING INSULATED CLIPS WERE REMOVED FOR SERVICING OF UNIT, THEY SHOULD BE RE-INSTALLED TO PROPERLY SECURE YOUR WIRING.

●  
NON-REMOVABLE CONNECTIONS

○  
REMOVABLE CONNECTIONS

**TRACTOR-MODEL NO. CTH2642TR (96051012101), PRODUCT NO. 9605101-21**  
**ELECTRICAL 32**

TC06S

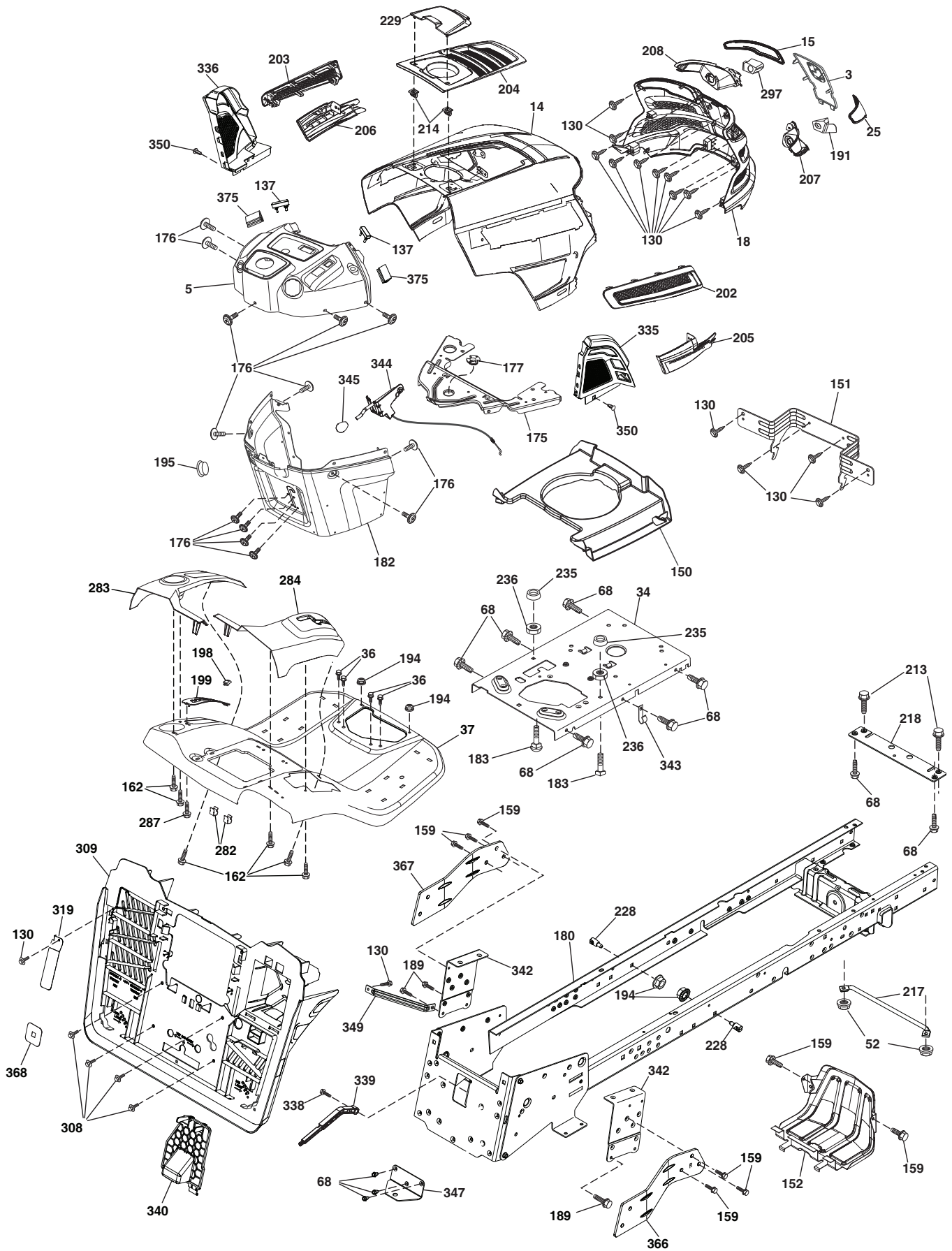


**TRACTOR-MODEL NO. CTH2642TR (96051012101), PRODUCT NO. 9605101-21  
ELECTRICAL 32**

<b>KEY NO.</b>	<b>PART NO.</b>	<b>DESCRIPTION</b>
1	532 43 71-57	Battery
2	532 44 09-23	Screw Hex Hd Cap M6 x 1.12MM
16	532 17 61-38	Switch Interlock Push-In
21	532 40 02-52	Harness Light w/4152J
22	532 00 41-52	Bulb Light
25	532 44 13-82	Cable Starter
26	532 17 51-58	Fuse
27	873 51 04-00	Nut Keps Hex 1/4-20 unc
28	532 44 13-83	Cable, Ground
29	532 40 15-45	Switch, Seat
30	532 19 33-50	Switch, Ign
33	532 41 19-33	Key/Chain
34	532 11 07-12	Switch Light/Reset
40	581 68 64-01	Harness Ign. Dash
43	532 19 25-07	Solenoid
46	586 16 18-01	Gauge Serviceminder Hrmtr
50	532 17 46-51	Switch PTO
55	817 06 05-12	Screw Thdrol 5/16-18 x 3/4 TYTT
71	532 44 08-20	Harness Ignition Chassis
79	532 17 52-42	Socket Asm. Bulb
83	532 43 67-74	Nut Square M6 x 1.8.5 x 11MM
99	817 00 05-12	Washer Hd Bolt 5/16-18 x 3/4
102	532 44 12-62	Harness Jumper
105	532 40 75-68	Switch Reverse
107	532 18 03-79	Switch Full Bagger
108	532 42 10-62	Switch Snapmount
142	583 85 78-01	Charge Port Pigtail
143	532 44 80-59	Charge Port

**NOTE:** All component dimensions given in U.S. inches  
1 inch = 25.4 mm

**TRACTOR-MODEL NO. CTH2642TR (96051012101), PRODUCT NO. 9605101-21**  
**CHASSIS AND ENCLOSURES 39**



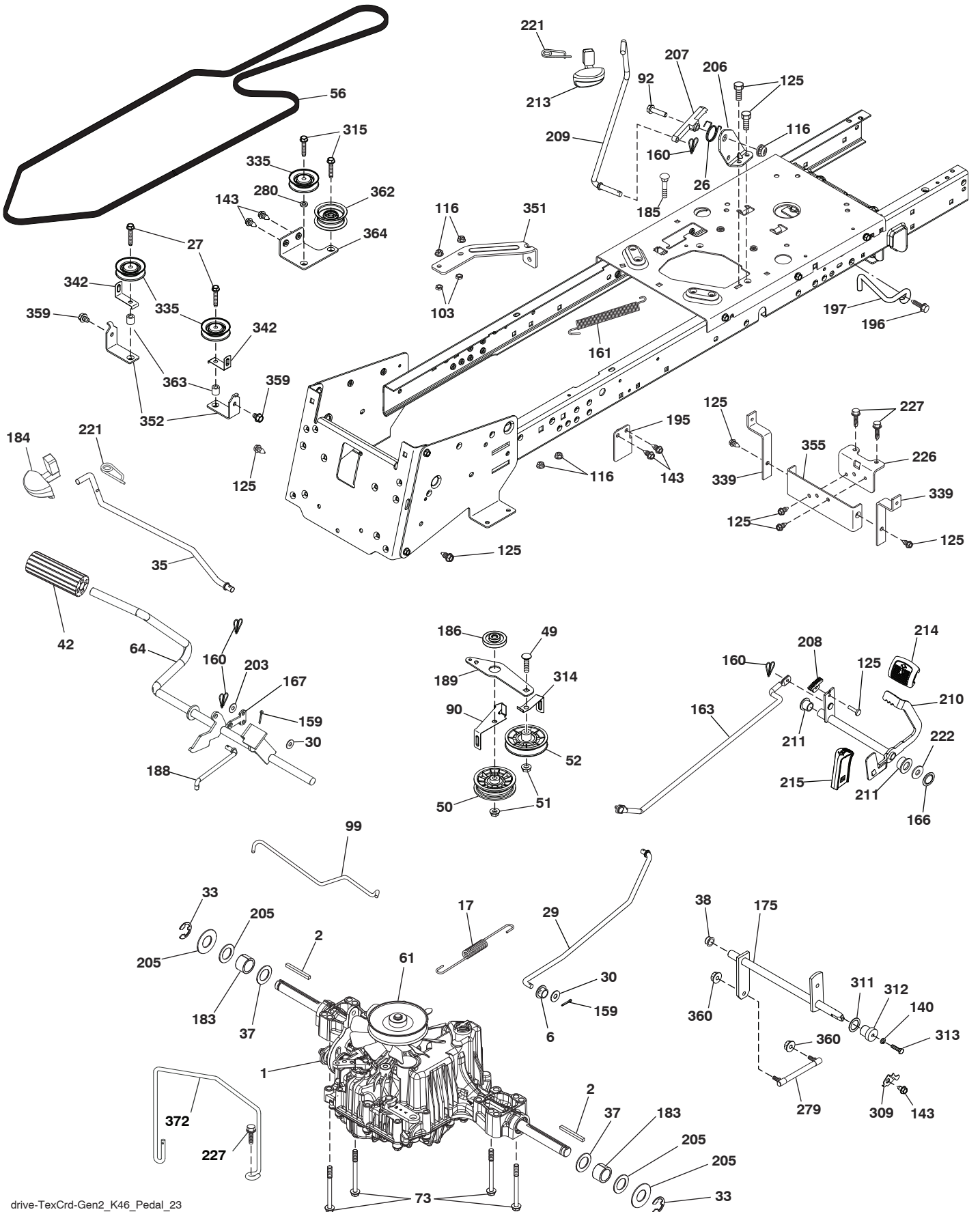
**TRACTOR-MODEL NO. CTH2642TR (96051012101), PRODUCT NO. 9605101-21  
CHASSIS AND ENCLOSURES 39**

KEY PART NO. NO.	DESCRIPTION	KEY PART NO. NO.	DESCRIPTION		
3	532 43 97-52	Applique	214 532 19 91-45	Clip Retainer Tinner	
5	532 43 74-86	Dash	217 532 40 91-67	Rod Pivot	
14	532 44 11-77	Hood	218 532 19 63-95	X-Piece Hood Stop	
15	532 43 97-33	Lens LH	228 532 19 51-61	Stud Fastner	
18	532 44 06-53	Grille	229 532 44 14-63	Lid Ext	
25	532 44 33-85	Lens RH	235 532 40 61-29	Spacer Fender	
34	580 91 08-01	Plate Engine	236 873 93 05-00	Nut Lock 5/16-18 unc	
36	817 06 05-12	Screw 5/16-18 x 3/4	282 532 41 41-10	Clip Retainer	
37	532 44 14-19	Fender	283 532 44 72-12	Console Deck Lift LH	
52	873 68 05-00	Nut Lock 5/16-18	284 532 44 72-20	Console Shft RH	
68	817 49 05-08	Screw Thdrol 5/16-18 x 1/2	287 817 60 04-06	Screw 1/4-20 x 3/8	
130	532 41 63-58	Screw #10 x 0.750	297 532 43 74-56	Insert Reflective LH	
137	532 40 75-90	Bumper Dash	308 532 17 18-77	Bolt 5/16-18 unc x 3/4	
150	532 43 97-74	Air Duct	309 581 32 89-11	Backplate	
151	532 43 66-70	Bracket Pivot	319 581 31 39-06	Lever Bag Presence	
152	532 43 98-70	Shield Browning	335 532 44 82-04	Cover RH Lower Close Out	
159	817 00 06-12	Screw Hexwsh Thrd 3/8-16 x 3/4	336 532 44 53-09	Cover LH Lower Close Out	
162	532 14 24-32	Screw	338 532 43 66-40	Bolt Shoulder	
175	532 19 63-04	Crossmember	339 532 43 66-41	Lever Bagger Full	
176	532 40 07-76	Screw 10-24 x 5/8	340 581 32 90-01	Door Battery	
177	532 19 52-28	Bushing Steering	342 532 43 59-38	Supprt Fender	
180	583 90 27-01	Chassis	343 532 44 07-49	Clip	
182	532 43 89-67	Dash Lower	344 532 43 89-70	Control EZ Mulch	
183	874 52 05-20	Bolt 5/16-18 x 1-1/4	345 532 44 06-39	Knob	
189	817 00 05-12	Screw 5/16-18 x 3/4	347 532 44 28-87	Hitch Tow	
191	532 43 74-55	Insert Reflective RH	349 532 43 66-06	Bracket Support	
194	873 90 05-00	Nut Lock Hex Flange 5/16-18	350 532 44 51-43	Clip X-Mas Tree	
195	532 40 41-37	Plug Hole Dash Lower	366 581 31 46-02	Bracket RH Front Bagger	
198	532 44 15-52	Indicator Deck Lift	367 581 31 45-02	Bracket LH Front Bagger	
199	532 41 87-39	Plate Deck Lift	368 581 42 48-01	Shroud Bag Full Lever	
202	532 43 97-28	Vent Side Hood RH	375 586 90 82-01	Dash Clip-On Bumper	
203	532 43 97-27	Vent Side Hood LH	--	532 43 18-82	Kit Guard Brush
204	532 44 06-65	Vent Top Hood			
205	532 43 97-30	Trim Hood Side RH			
206	532 43 97-29	Trim Side LH			
207	532 43 97-34	Bezel RH			
208	532 43 97-35	Bezel LH			
213	874 76 05-12	Bolt 5/16-18 x 3/4			

**NOTE:** All component dimensions given in U.S. inches  
1 inch = 25.4 mm



TRACTOR-MODEL NO. CTH2642TR (96051012101), PRODUCT NO. 9605101-21  
DRIVE **40**

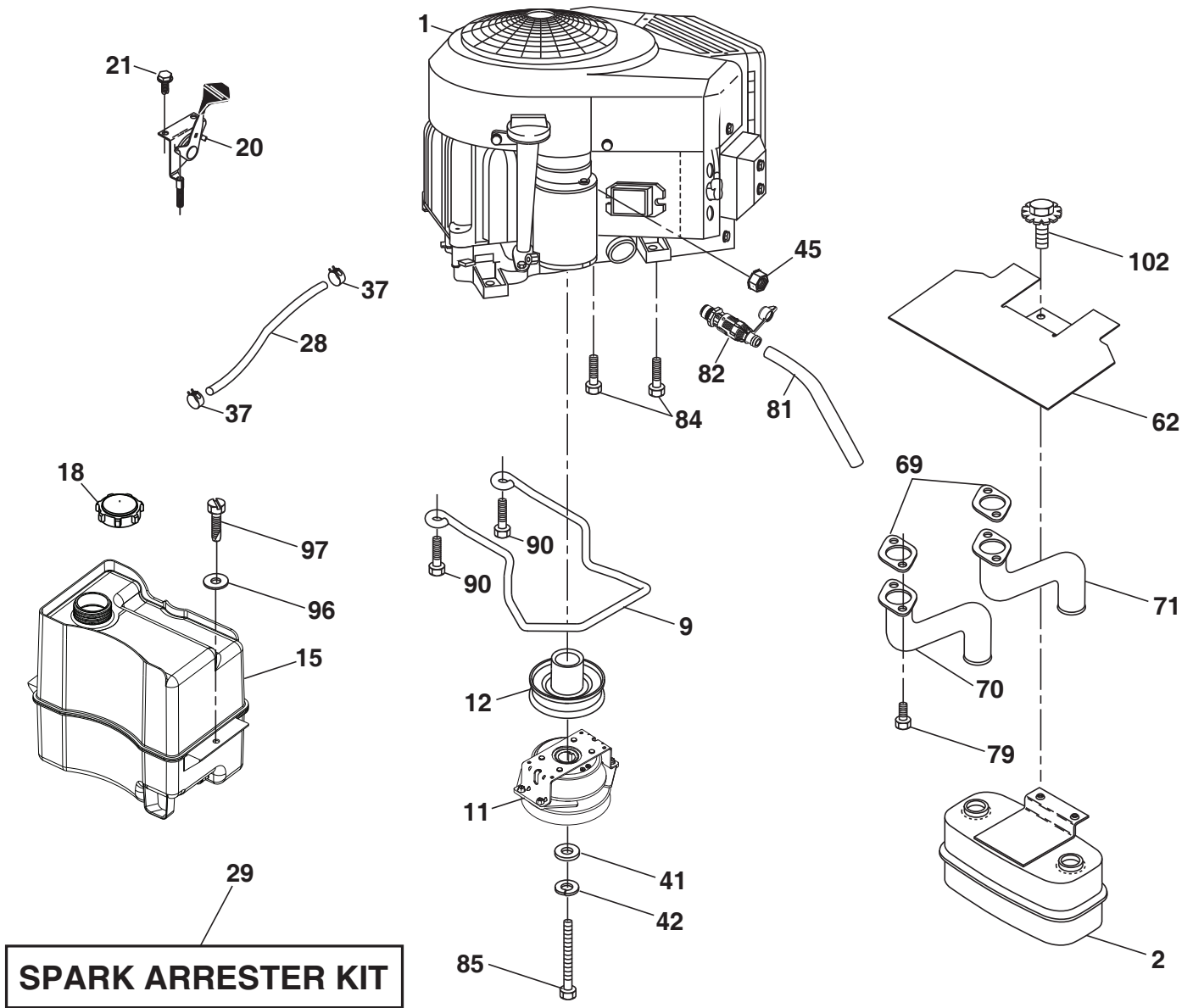




**TRACTOR-MODEL NO. CTH2642TR (96051012101), PRODUCT NO. 9605101-21  
DRIVE 40**

KEY NO.	PART NO.	DESCRIPTION	KEY NO.	PART NO.	DESCRIPTION
1	---	Transaxle, Tufftorq K46DF (446488) (Order parts from transaxle manufacturer.)	195	580 45 69-01	Bracket Rod Brake CRD Tex
2	532 12 35-83	Key Square	196	817 00 06-16	Screw 3/8-16 x 1 Smgml Tap/R Blk
6	532 12 40-28	Bushing Snap	197	585 65 86-01	Link Clutch Anti-Rotation
17	532 43 62-27	Spring Brake K46	203	819 11 11-16	Washer 11/32 x 11/16 x 16 Ga.
26	532 19 96-79	Spring Return Cruise	205	532 12 17-48	Washer 25/32 x 1-5/8 x 16 Ga.
27	817 49 05-28	Screw Hexwsh Thd 5/16-18 x 1-3/4	206	532 44 85-96	Bracket Mount Latch Cruise
29	532 44 27-95	Rod, Brake	207	532 19 78-68	Latch Control Cruise
30	819 13 16-16	Washer	208	532 19 78-69	Gear Sector Control Cruise
33	812 00 00-01	Ring E	209	532 19 95-92	Rod Control Cruise
35	583 86 45-01	Rod, Brake, Park	210	532 40 09-80	Rocker Asm. Pedal Control
37	532 18 89-67	Washer Harden .793 x 1.063 x 060	211	532 12 01-83	Bearing Nylon
38	532 16 96-13	Nyliner Bushing	213	532 40 31-19	Knob Control Cruise
42	532 12 48-72	Cover, Foot Pedal	214	532 42 12-63	Pedal Forward
49	872 11 06-14	Bolt Rdhd 3/8-16 unc x 3/4 Gr. 5	215	532 41 94-82	Pedal Reverse
50	532 19 43-27	Idler Flat	221	532 40 31-87	Retainer Spring Clip Handle
51	873 90 06-00	Lock Nut 3/8-16	222	879 21 20-10	Washer 21/32 x 1-1/4 10 Ga.
52	532 19 43-26	Idler V-Groove	226	532 40 15-64	Bracket Strap Torque
56	532 44 27-81	V-Belt, Drive	227	817 49 05-12	Screw
61	532 44 51-51	Pulley Transaxle K46	279	532 44 42-83	Link Shift
64	532 19 78-65	Shaft Asm. Pedal Brake Control	280	819 11 10-12	Washer 11/32 x 5/8 x 12 Ga.
73	874 49 05-44	Bolt Flanged	309	532 16 55-81	Plate Fstnr Cross Shf
90	532 44 36-05	Keeper Belt Clutching	311	532 16 98-45	Washer Nylon
92	874 76 05-20	Bolt Fin Hex 5/16-18 unc x 1.25	312	532 16 56-14	Hub Tapered
99	532 44 39-47	Rod Spring Bypass	313	874 78 04-16	Bolt Hex Fin 1/4-20 unc x 1 Gd5
103	873 35 05-00	Nut Hex Jam 5/16-18	314	532 44 47-13	Keeper Belt
116	873 90 05-00	Nut Lock Hex Flange 5/16-18	315	817 58 05-20	Screw Thdrol 5/16-18 x 4.25
125	817 00 05-12	Screw 5/16-18 x 3/4	335	532 19 95-34	Pulley V-Idler
140	810 04 04-00	Washer Lock Hvy Helical 1/4	339	532 43 68-67	Strap Torque K46 CRD Tex
143	817 49 05-08	Screw 5/16-18 x 1/2	342	532 18 26-82	Keeper Belt 2.5" STL V-Idlr CRD
159	876 02 04-12	Pin Cotter 1/8 x 3/4	351	532 43 69-98	Bracket 97 CRD Deck Sway
160	532 16 94-84	Retainer Clip	352	532 43 56-45	Bracket Idler CRD Tex
161	532 10 57-09	Spring, Return, Clutch	355	532 43 56-69	Bracket
163	532 44 27-93	Rod Control	359	817 49 06-10	Screw Thdrol 3/8-16 x 5/8
166	532 42 91-64	Nut Push	360	532 44 47-14	Nut 5/16-24 UNF
167	532 40 52-57	Latch Brake Parking	362	532 43 68-12	Idler Flat
175	532 42 93-59	Shaft Asm Crossshift Rear Crd	363	532 44 27-80	Spacer 343 x 63 x .62
183	532 13 70-57	Spacer Axle	364	532 44 30-32	Bracket Idler CRD Tex
184	587 65 37-01	Handle Parking Brake	372	587 06 27-01	Keeper Belt Transaxle
185	872 11 06-22	Bolt 3/8-16 unc x 2-3/4 G5			
186	532 19 43-21	Spacer Retainer			
188	532 19 43-23	Link Clutch			
189	532 43 36-11	Bellcrank Ground Drive			

**NOTE:** All component dimensions given in U.S. inches  
1 inch = 25.4 mm



engine-tex\_bs-2cyl\_156

**TRACTOR-MODEL NO. CTH2642TR (96051012101), PRODUCT NO. 9605101-21  
ENGINE 24**

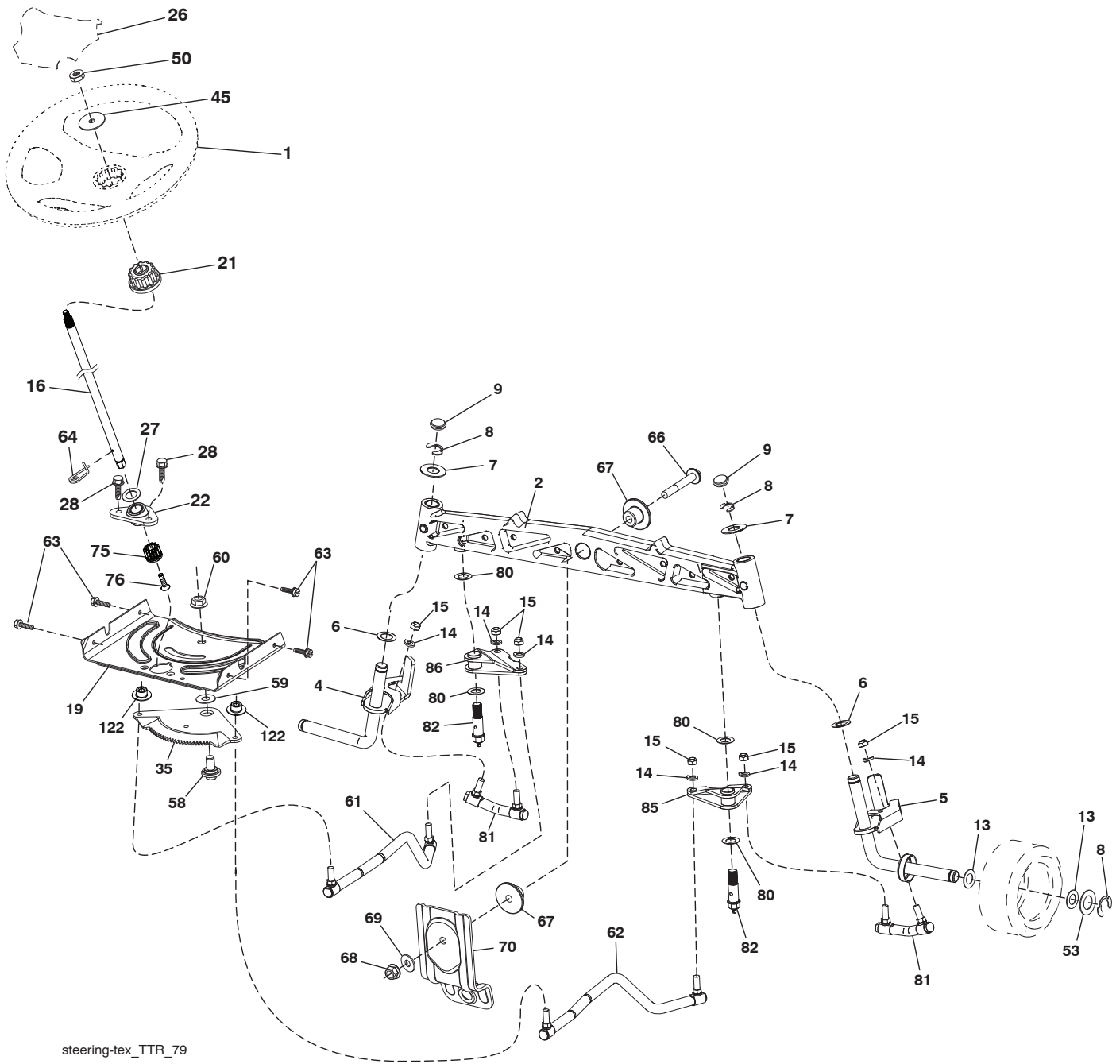
KEY NO.	PART NO.	DESCRIPTION
1	- - - - -	Engine Briggs Model No. 44R877-0012-G1 (587211101)(Order parts from engine manufacturer.)
2	532 44 59-62	Muffler
9	501 83 26-01	Keeper Belt Engine
11	587 24 16-01	Clutch Electric
12	532 40 50-97	Pulley Engine
15	581 29 01-01	Tank Fuel
18	532 43 02-20	Fuel Cap
20	532 42 35-02	Control Throttle
21	532 41 63-58	Screw # 10 x 0.750
28	532 13 70-40	Fuel Line
29	532 13 71-80	Spark Arrester Kit
37	532 12 34-87	Clamp Hose
41	532 12 61-97	Washer 1-1/2 OD x 15/32 ID x .250
42	810 04 07-00	Washer Lock 7/16
45	873 51 04-00	Nut Keps Hex 1/4-20 unc
62	532 43 40-17	Shield Heat Muffler
69	532 16 53-91	Gasket
70	581 88 11-01	Tube Exhaust LH
71	581 88 10-01	Tube Exhaust RH
79	532 18 39-06	Screw Socket Head 5/16-18 x 1
81	532 14 84-56	Tube Drain Oil Easy
82	532 42 82-87	Valve Oil Drain
84	817 06 06-20	Screw 3/8-16 x 1-1/4
85	501 60 66-01	Bolt Hex 7/16-20 x 3.75 Gr. 5
90	817 00 06-16	Screw 3/8-16 x 1
96	819 09 14-16	Washer 9/32 x 7/8 x 16 Ga.
97	817 67 04-12	Screw 1/4-20 x 3/4
102	817 00 05-12	Screw 5/16-18 x 3/4

**NOTE:** All component dimensions given in U.S. inches  
1 inch = 25.4 mm

**Engine Power Rating Information**

The gross power rating for individual gas engine models is labeled in accordance with SAE (Society of Automotive Engineers) code J1940 (Small Engine Power & Torque Rating Procedure), and rating performance has been obtained and corrected in accordance with SAE J1995 (Revision 2002-05). Torque values are derived at 3060 RPM; horsepower values are derived at 3600 RPM. Actual gross engine power will be lower and is affected by, among other things, ambient operating conditions and engine-to-engine variability. Given both the wide array of products on which engines are placed and the variety of environmental issues applicable to operating the equipment, the gas engine will not develop the rated gross power when used in a given piece of power equipment (actual "on-site" or net power). This difference is due to a variety of factors including, but not limited to, accessories (air cleaner, exhaust, charging, cooling, carburetor, fuel pump, etc.), application limitations, ambient operating conditions (temperature, humidity, altitude), and engine-to-engine variability. Due to manufacturing and capacity limitations, Briggs & Stratton may substitute an engine of higher rated power for this Series engine.

TRACTOR-MODEL NO. CTH2642TR (96051012101), PRODUCT NO. 9605101-21  
STEERING ASSEMBLY **41**



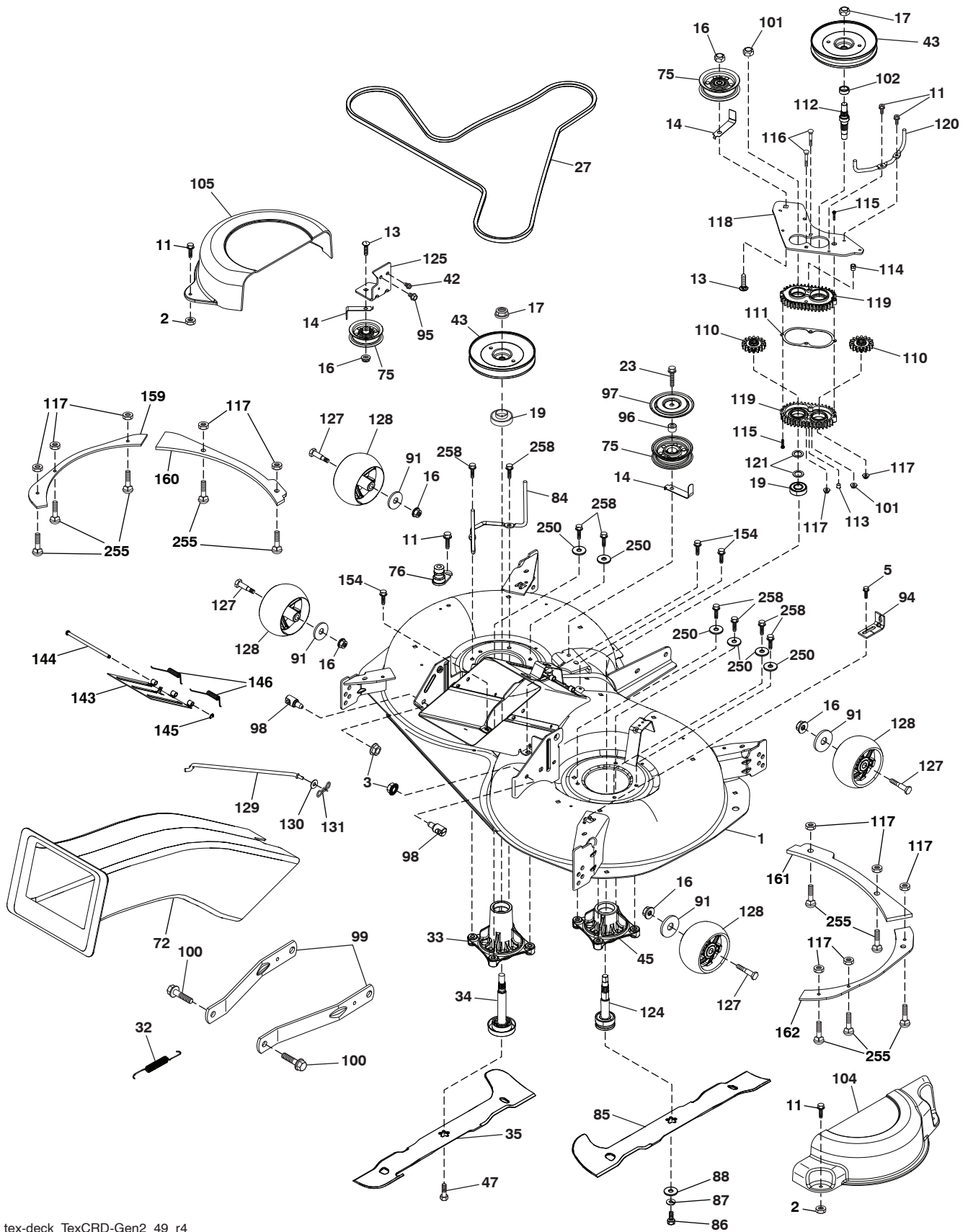
steering-tex\_TTR\_79

**TRACTOR-MODEL NO. CTH2642TR (96051012101), PRODUCT NO. 9605101-21  
STEERING ASSEMBLY **41****

<b>KEY NO.</b>	<b>PART NO.</b>	<b>DESCRIPTION</b>
1	532 43 97-40	Wheel, Steering
2	532 43 68-70	Axle Asm., Front
4	532 43 68-73	Spindle Asm., LH
5	532 43 68-74	Spindle Asm., RH
6	532 12 49-31	Washer Thrust 0.75 x 1.23
7	532 12 17-48	Washer 25/32 x 1-5/8 x 16 Ga.
8	812 00 00-29	Ring, Klip #T5304-75
9	532 12 12-32	Cap, Spindle
13	532 12 17-49	Washer 25/32 x 1-1/4 x 16 Ga.
14	810 04 06-00	Washer, Lock 3/8
15	873 54 06-00	Nut, Crown Lock 3/8-24 unf
16	587 01 60-02	Shaft Steering
19	532 19 47-29	Plate Steering
21	586 84 02-01	Adapter, Wheel Steering Splnd Alum
22	585 02 99-01	Bearing Subasm Shaft Steer Low
26	532 43 97-43	Insert, Wheel Steering
27	819 21 16-16	Washer 21/32 x 1 x 16 Ga.
28	817 00 06-12	Screw 3/8-16 x 3/4
35	532 44 07-70	Gear, Sector Plate
45	587 01 64-01	Washer 3/8 ID 2-3/8OD 12 Ga. PLTD
50	873 90 06-00	Nut Lock Flg. 3/8-16 unc
53	532 18 89-67	Washer Hardened .793 x 1.637 x .060
58	532 19 47-47	Bolt Shoulder Sector Pivot CFM
59	532 19 47-48	Washer Thrust Sector Steering
60	873 97 10-00	Nut Flange Lock 5/8-11
61	532 43 68-84	Draglink, LH
62	532 43 68-85	Draglink, RH
63	817 00 05-12	Screw 5/16-18 x 3/4
64	532 19 98-49	Retainer Clip Spring Steering
66	871 02 07-48	Bolt Hex Fghd 7/16-14 x 3 Serr
67	532 19 47-37	Bushing PM Front Axle
68	873 90 07-00	Nut Lock Flange 7/16-14 Gr. 5
69	532 19 91-62	Washer 1.5 x .505 x .118
70	585 33 88-01	Bracket Deck Susp. Front
75	580 68 37-01	Pinion
76	580 68 36-01	Screw Head Sock
80	532 00 13-70	Washer
81	532 43 68-87	Link Cross RH
82	532 44 21-47	Pivot Bolt
85	532 44 18-73	Pivot RH
86	532 44 18-72	Pivot LH
122	532 44 49-62	Cap Gear Sector

**NOTE:** All component dimensions given in U.S. inches  
1 inch = 25.4 mm

**TRACTOR-MODEL NO. CTH2642TR (96051012101), PRODUCT NO. 9605101-21**  
**MOWER DECK 44**



tex-deck\_TexCRD-Gen2\_49\_r4



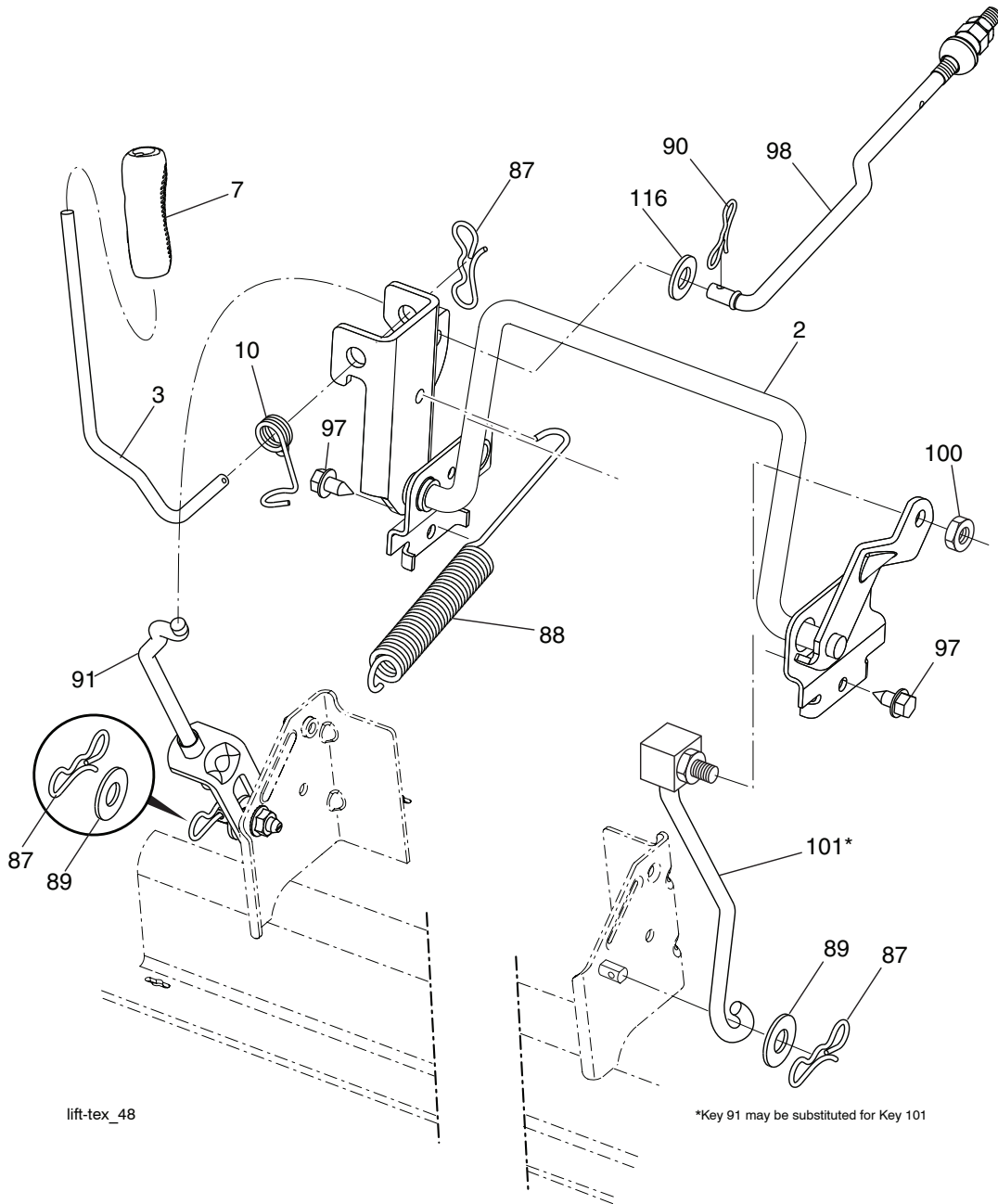
**TRACTOR-MODEL NO. CTH2642TR (96051012101), PRODUCT NO. 9605101-21  
MOWER DECK 44**

KEY NO.	PART NO.	DESCRIPTION	KEY NO.	PART NO.	DESCRIPTION
1	580 97 33-01	Deck Weldment	114	588 17 05-01	Valve Relief
2	532 42 30-62	Palnut 1/4	115	818 03 10-16	Screw Torx #10-24 x 1
3	873 90 05-00	Nut Lock Hex Flange 5/16 - 18	116	872 11 04-14	Bolt 1/4-20 x 1.75 Gr. 5
5	817 00 05-10	Bolt 5/16-18	117	873 90 04-00	Nut Hex Flange 1/4-20 unc
11	532 13 77-29	Screw Thd Roll 1/4 - 20 X 5/8	118	532 44 32-32	Arm Clutching
13	872 11 06-12	Bolt Carr Sh 3/8 - 16 X 1-1/2 Gr. 5	119	532 43 81-66	Gearcase Subasm
14	532 15 60-85	Keeper Belt Idler	120	532 44 32-36	Keeper Belt RH
16	873 90 06-00	Nut Lock FIG 3/8 - 16 unc	121	532 43 69-85	Washer
17	532 40 02-34	Nut Flange Lock Top	124	581 65 07-01	Revolution Mandrel Shaft Short
19	585 32 39-01	Bearing Mandrel	125	532 44 04-20	Bracket Idler Chassis
23	817 49 06-28	Screw Thdrol 3/8 - 16 X 1-3/4	127	532 19 34-06	Bolt Shoulder 3/8-16 x 3-5/8 Gr. 5
27	532 44 58-87	V-Belt Drive	128	532 17 48-73	Wheel Gauge
32	532 44 62-05	Spring Drive	129	532 44 32-37	Rod Anti-Sway
33	580 79 61-01	Mandrel Asm. Tall	130	819 13 13-12	Washer 13/32 x 13/16 x 12 Ga.
34	587 25 65-01	Mandrel Shaft Tall	131	532 19 42-08	Pin Cotter 5/16 Bow Tie Lock
35	581 51 79-01	Blade Mower LH	143	532 43 81-97	Door Mulch
42	817 00 05-12	Screw 5/16-18 x 3/4	144	532 43 58-61	Pin Hinge
43	532 44 32-39	Pulley Mandrel	145	532 43 79-88	E-Ring 5/16"
45	581 65 08-01	Mandrel Asm. Short	146	532 44 58-96	Spring
47	584 30 93-01	Screw	154	532 19 98-55	Screw Thd Roll 1/4-20 x 1/2
72	581 45 41-02	Chute Upper	159	585 30 95-05	Plate LH Side
75	532 13 14-94	Pulley Idler Flat	160	585 30 94-05	Plate LH Front
76	532 41 55-98	Washout Port	161	585 31 60-05	Plate RH Front
84	532 44 32-35	Keeper Belt LH Mandrel	162	585 31 61-05	Plate RH Side
85	581 51 80-01	Blade Mower RH	250	819 11 12-12	Washer 11/32 x 3/4 x 12 Ga.
86	532 18 17-13	Bolt 3/8-24 x 1.50 Gr. 8	255	539 10 98-00	Carriage Bolt 1/4-20 x 1 Gr. 5
87	810 03 06-00	Washer Lock Hvy. 3/8	258	584 95 39-01	Bolt Hex Wsh Hd .313-18 x 1.19
88	532 14 02-96	Washer Hard	--	587 12 61-05	Mandrel Assembly (Includes Housing (key #33), Shaft Assembly (key #34), And Bearing Only (key #19) - Pulley/Nut/Washer And Blade Bolt/Washers Not Included)
91	819 13 20-12	Washer 13/32 x 1-1/4 x 12 Ga.	--	581 65 05-01	Mandrel Assembly (Includes Housing (key #45), Shaft Assembly (key #124), And Bearing Only (key #19) - Pulley/Nut/Washer And Blade Bolt/Washers Not Included)
94	532 19 72-50	Bracket Clutch Cable	--	581 92 84-02	Replacement Mower Complete
95	817 00 06-12	Screw 3/8-16 x 3/4			
96	532 40 02-71	Spacer			
97	532 18 20-61	Shield Idler Mower			
98	532 19 51-61	Stud Fastener			
99	532 19 51-86	Arm Suspension Mower Rear			
100	532 19 65-39	Bolt Shoulder			
101	873 68 09-00	Nut Crownlock 9/16 - 18 unc			
102	532 40 25-11	Spacer Bearing Swing Plate			
104	581 71 40-01	Mandrel Cover RH			
105	532 44 47-55	Mandrel Cover LH			
110	587 93 48-01	Gear Output			
111	532 43 69-79	Gasket Gearcase			
112	532 44 38-52	Shaft Gearcase Adapter			
113	532 43 85-33	Plug Oil			

**NOTE:** All component dimensions given in U.S. inches  
1 inch = 25.4 mm



**TRACTOR-MODEL NO. CTH2642TR (96051012101), PRODUCT NO. 9605101-21**  
**MOWER LIFT 45**

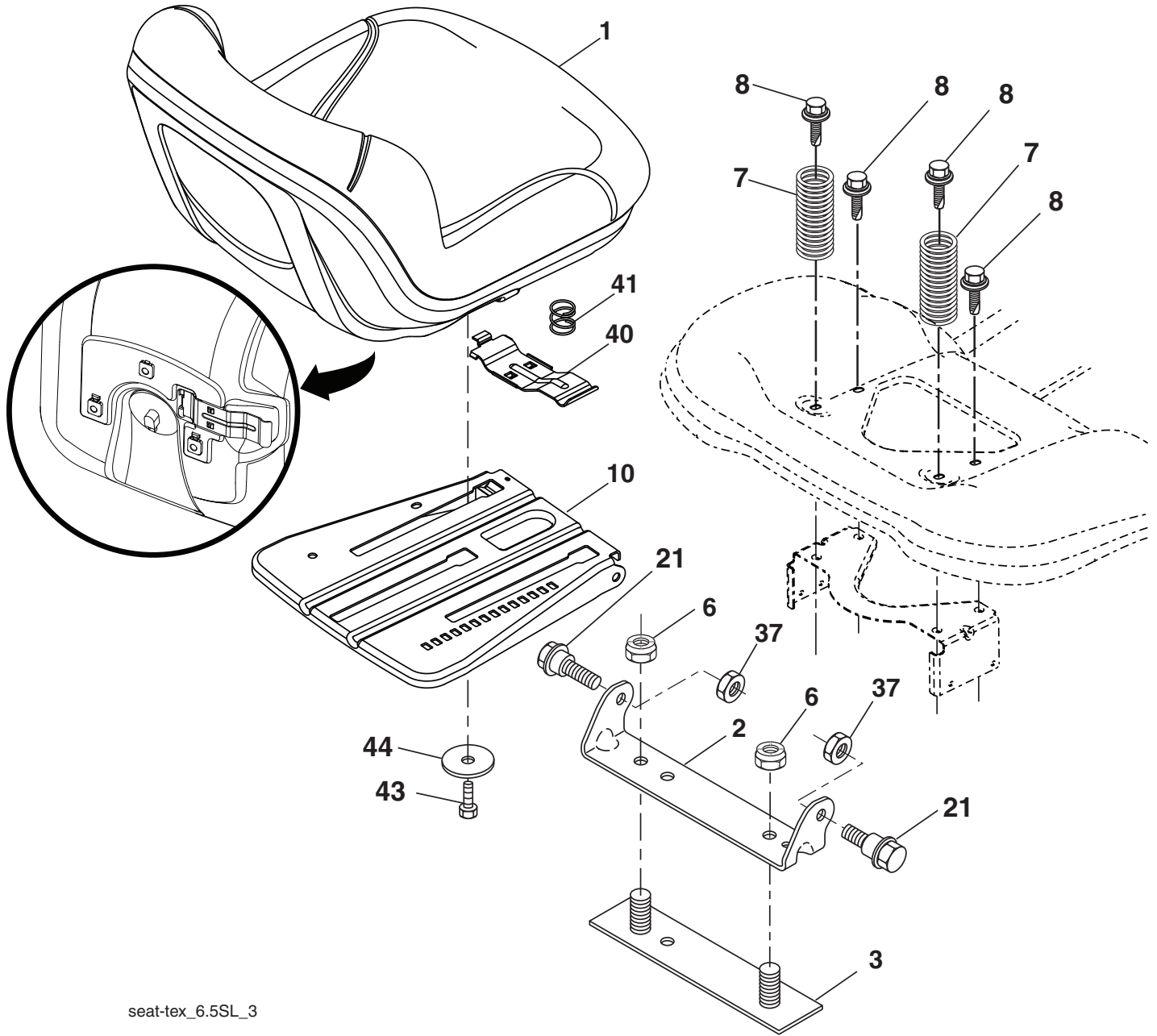


KEY NO.	PART NO.	DESCRIPTION
2	532 43 69-96	Deck Lift Weldment
3	532 19 52-31	Lever Asm., Lift RH
7	580 96 23-01	Grip, Lever
10	532 19 63-14	Spring Torsion
87	532 19 42-09	Pin Cotter 7/16 Bow Tie Lock
88	532 44 54-96	Spring Lift Assist
89	819 19 19-12	Washer Clear Zinc
90	532 19 42-08	Pin Cotter 5/16 Bow Tie Lock

KEY NO.	PART NO.	DESCRIPTION
91	532 19 51-81	Link Lift Susp Mower Rear
97	817 49 06-08	Screw 3/8-16 x 1/2
98	532 19 52-70	Link Lift Susp. Front Mower
100	873 93 06-00	Nut Center Lock 3/8-16 unc
101	532 40 70-03	Link Asm Lift Fixed
116	819 15 15-16	Washer 15/32 x 15/16 x 16 Ga.

**NOTE:** All component dimensions given in U.S. inches  
 1 inch = 25.4 mm

**TRACTOR - MODEL NO. CTH2642TR (96051012101), PRODUCT NO. 9605101-21  
SEAT ASSEMBLY 42**



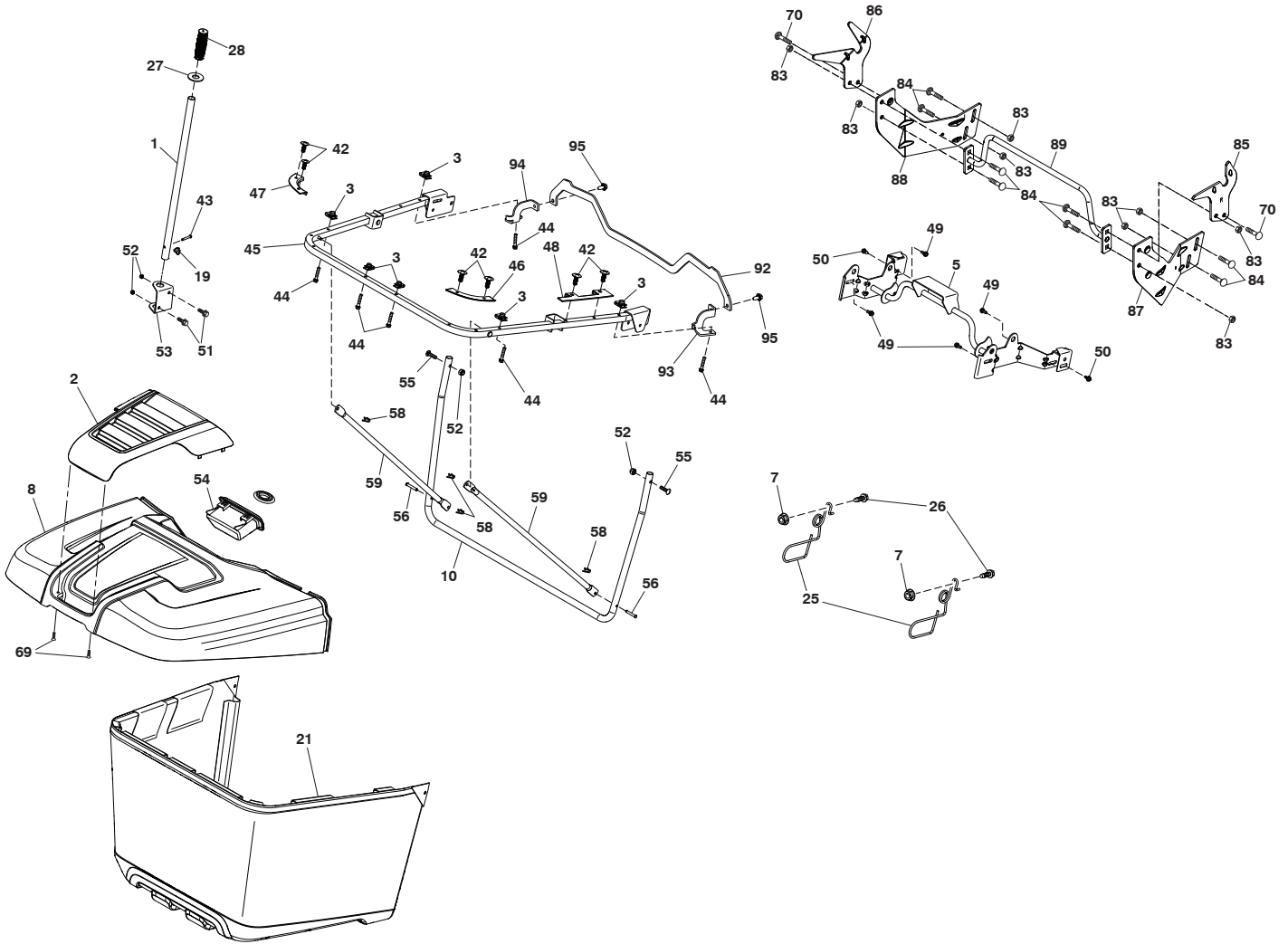
seat-tex\_6.5SL\_3

KEY NO.	PART NO.	DESCRIPTION
1	532 43 98-22	Seat
2	532 18 01-66	Bracket Pivot Fender
3	532 14 06-75	Strap, Asm Fender
6	873 80 06-00	Nut, Lock w/Ins. 3/8-16 unc
7	532 12 41-81	Spring, Seat Cprsn
8	532 17 18-77	Bolt 5/16-18 unc x 3/4 w/Sems
10	532 19 69-77	Pan, Seat
21	532 17 18-52	Bolt, Shoulder 5/16-18

KEY NO.	PART NO.	DESCRIPTION
37	873 80 05-00	Nut, Lock 5/16-18 unc
40	532 19 76-61	Handle Slide Seat
41	532 19 82-00	Spring Latch Seat
43	874 76 06-12	Bolt Fin Hex 3/8-16 unc x 3/4
44	819 13 38-12	Washer 13/32 x 2-3/8 x 12 Ga.

**NOTE:** All component dimensions given in U.S. inches  
1 inch = 25.4 mm

TRACTOR-MODEL NO. CTH2642TR (96051012101), PRODUCT NO. 9605101-21  
BAGGER 46



Bagger\_TexCRD-Gen2\_6

**TRACTOR-MODEL NO. CTH2642TR (96051012101), PRODUCT NO. 9605101-21  
BAGGER 46**

<b>KEY NO.</b>	<b>PART NO.</b>	<b>DESCRIPTION</b>
1	532 42 86-10	Tube Handle Bagger
2	532 44 75-72	Applique
3	532 17 48-14	Clip
5	532 44 37-62	Upper Pivot Tube
7	873 90 04-00	Nut Hex Flange 1/4-20 unc
8	532 44 75-75	Bagger Top
10	532 44 37-55	Frame Front
19	532 19 42-08	Cotter Pin 5/16 Bow Tie
21	532 44 59-43	Bag Assembly
25	532 44 55-28	Spring Latch Bagger
26	817 49 04-12	Screw Hex Thdrol 1/4-20 x 3/4
27	532 44 55-29	Grommet Rubber
28	532 16 57-87	Grip Handle
42	532 44 04-28	Clip
43	532 12 68-75	Clevis Pin
44	532 19 96-87	Bolt 1/4-20
45	532 44 37-54	Upper Frame
46	532 44 55-41	Bag Corner Close Out RH
47	532 44 40-79	Bag Corner Close Out LH
48	532 44 40-80	Top Bagger Side Close Out
49	532 17 18-73	Bolt Shoulder 5/16-18
50	532 17 18-77	Bolt 5/16-18 x 3/4 W/Sems
51	872 11 05-06	Bolt 5/16 x 18 x 3/4
52	873 80 05-00	Nut Lock Hex W/Ins 5/16-18 unc
53	532 44 41-95	Bracket Dump Handle
54	532 44 72-18	Bagger Top Front Handle
55	872 14 05-12	Bolt 5/16-18 x 1-1/2
56	532 42 03-06	Pin Clevis .183 x 1.26
58	532 08 51-79	Clip Retainer
59	532 44 47-63	Bagger Sprd Tube
69	532 42 18-01	Screw #8 Flat Head Drill
70	817 00 06-12	Screw 3/8-16 x 3/4
83	873 80 06-00	Nut Lock Hex w/Ins. 3/8-16 unc
84	872 11 06-08	Bolt 3/8-16 x 1 Gr. 5
85	581 31 44-02	Bracket RH Pivot
86	581 31 43-02	Bracket LH Pivot
87	581 31 48-02	Bracket RH
88	581 31 47-02	Bracket LH
89	581 31 51-04	Weldment Offset Strut
92	586 05 23-02	Bracket Top Support
93	586 05 24-02	Bracket Support RH
94	586 05 25-02	Bracket Support LH
95	817 00 05-12	Screw 5/16-18 x 3/4

**NOTE:** All component dimensions given in U.S. inches  
1 inch = 25.4 mm

