

**ILLUSTRATED PARTS LIST**

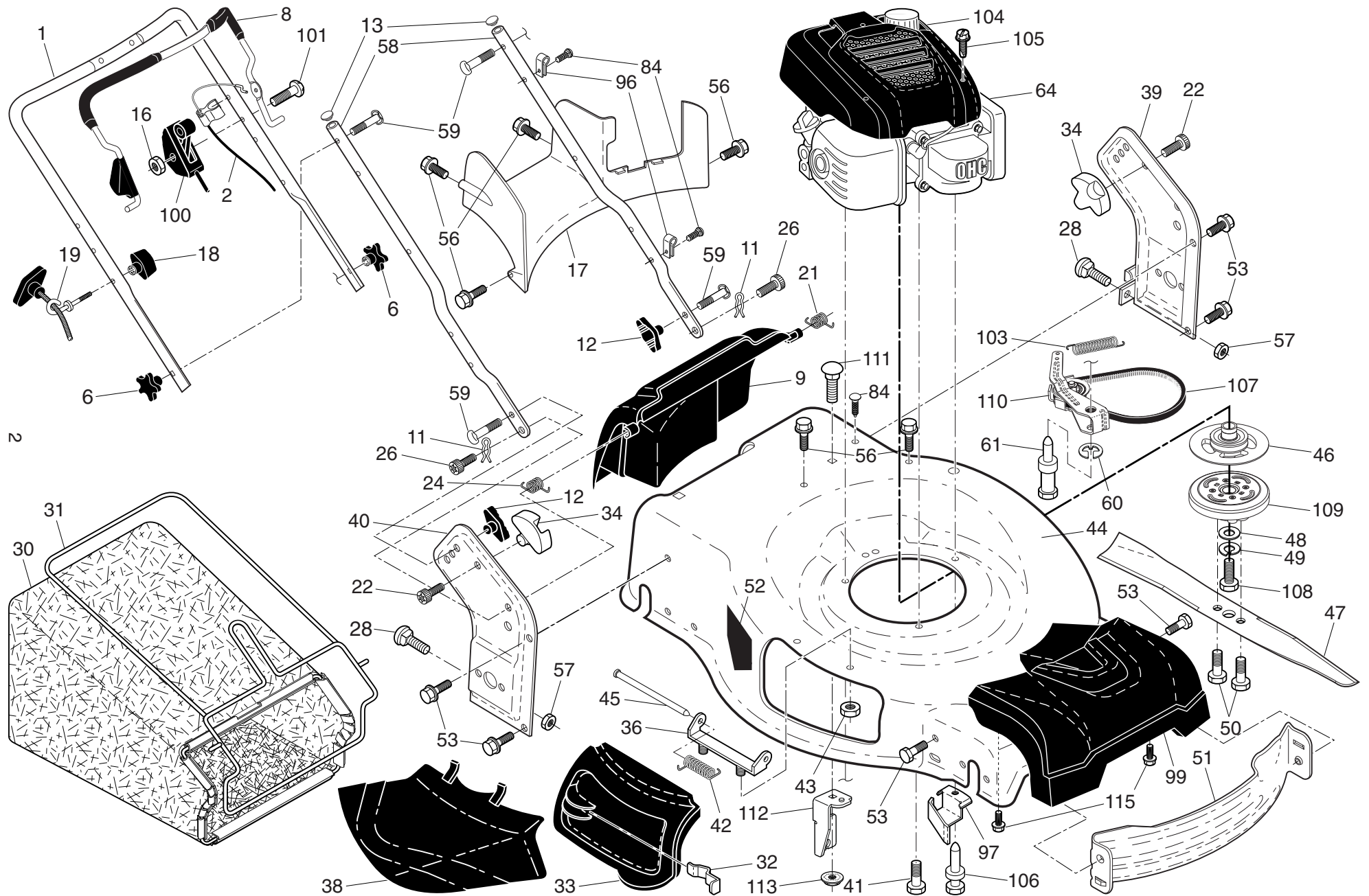
**BRAND: HUSQVARNA**

**ROTARY LAWN MOWER**

**MODEL NUMBER: LC 356VB**

**MFG. ID. NUMBER: 96141028802**

# HUSQVARNA ROTARY LAWN MOWER - MODEL NUMBER LC 356VB (MFG. ID. NUMBER 96141028802)

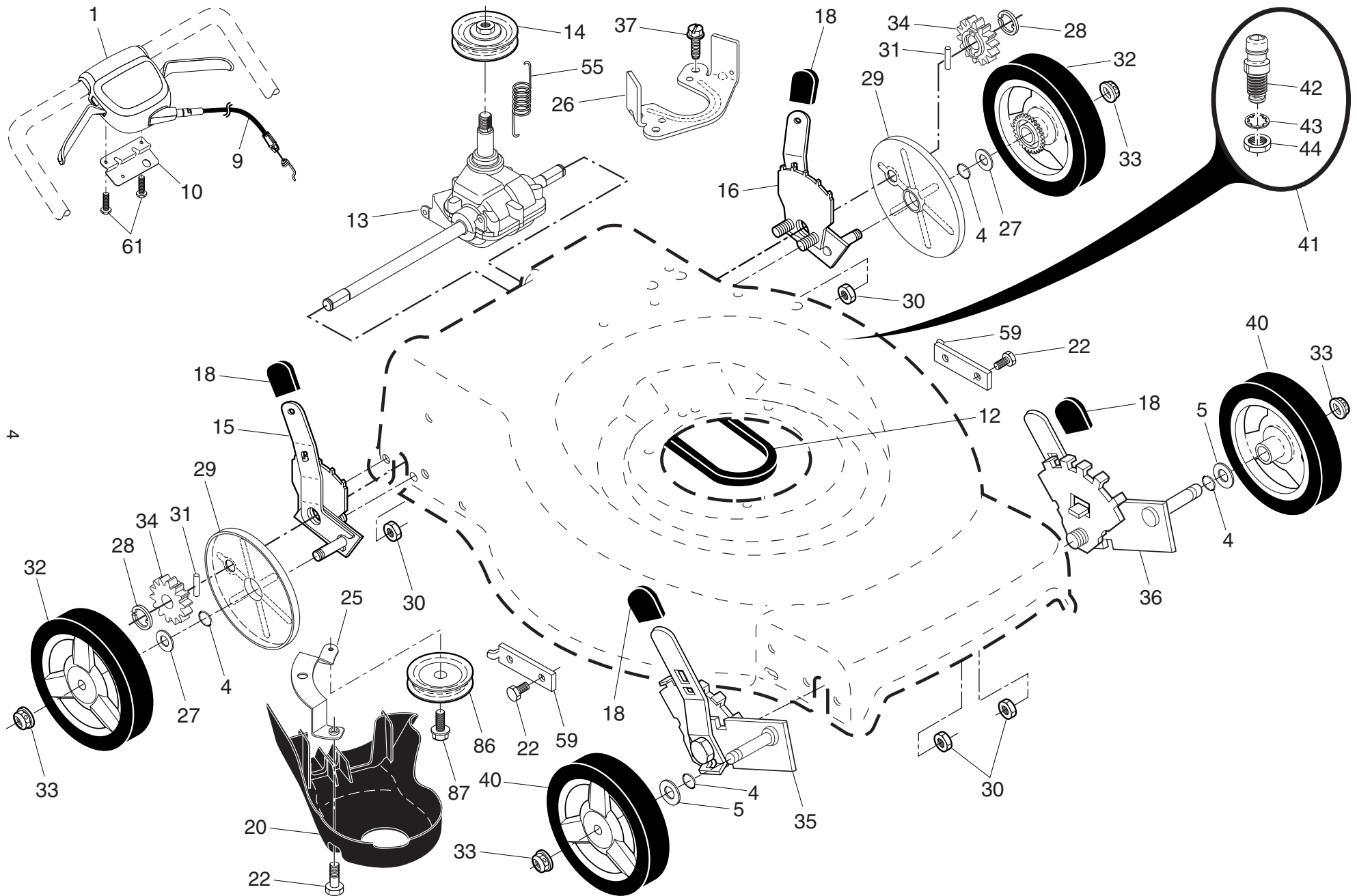


## HUSQVARNA ROTARY LAWN MOWER - MODEL NUMBER LC 356VB (MFG. ID. NUMBER 96141028802)

KEY NO.	PART NO.	DESCRIPTION	KEY NO.	PART NO.	DESCRIPTION
1	585 85 48-06	Upper Handle	50	532 18 04-60	Bolt, Hex Head, Grade 8
2	579 48 42-02	Cable, Blade Brake / Clutch Control	51	532 43 05-99	Front Baffle
6	532 18 23-98	Handle Knob, Star	52	532 18 21-66	Decal, Danger
8	587 56 41-09	Control Bar Assembly (Includes Blade Control Lever, Roll Pin and Spring)	53	817 00 05-10	Screw
9	532 43 13-91	Rear Door Assembly	56	817 41 13-12	Screw, Hex Washer Head #13 x 3/4
11	532 42 55-75	Hairpin, Door/Handle Pivot	57	532 15 53-77	Nut, Hex
12	532 19 19-38	Handle Knob, Standard	58	585 90 82-03	Bar, Lower Handle
13	532 43 75-16	Pug, Handle Bar	59	532 19 15-74	Handle Bolt
16	532 13 20-04	Nut, Hex	60	579 48 28-01	E-Ring
17	581 78 21-01	Rear Baffle	61	581 42 45-01	Bolt, Pivot, Tension Arm
18	581 91 26-01	T-Knob	64	---	Engine, Honda, Model Number GCV160-AOSBHE (order parts from Honda Engines)
19	581 90 21-01	Rope Guide			
21	532 41 99-49	Spring, Rear Door, LH, Black	84	532 42 81-24	Fastener, Push
22	532 14 18-41	Screw, Panhead, Torx #20	96	532 19 79-91	Clip, Cable
24	532 41 99-48	Spring, Rear Door, RH, Grey	97	581 11 53-02	Belt Keeper
26	532 41 99-45	Screw, Rear Door/Handle Pivot	99	585 66 87-02	Cover, Drive
28	586 21 25-01	Bolt, Carriage 5/16-18 x 5/8	100	532 43 94-68	Control, Throttle/Engine
30	580 94 34-05	Grassbag	101	532 18 33-65	Screw
31	585 05 47-02	Frame, Grass Catcher	103	581 53 07-01	Spring, Brake Reset
32	532 44 11-92	Latch, Mulcher Door	104	580 29 00-01	Shroud, Engine
33	532 41 99-27	Mulcher Door	105	580 76 87-01	Mounting Screw, Engine Shroud
34	532 43 81-34	Bracket, Grassbag	106	579 14 69-01	Bolt, Brake Reset Spring
36	532 17 57-35	Hinge Bracket Assembly	107	579 27 32-01	Belt, Blade Brake/Clutch
38	532 42 61-29	Discharge Deflector	108	532 85 10-84	Bolt, Blade Brake/Clutch
39	585 90 07-03	Handle Bracket, LH	109	581 30 81-01	Free Hub/Blade Adapter
40	585 90 08-03	Handle Bracket, RH	110	581 35 45-01	Tension Arm Assembly, Blade Brake/Clutch
41	532 15 04-06	Screw, Dogpoint 3/8-16 x 1-1/8	111	872 14 04-05	Bolt, Carriage 1/4-20
42	532 19 30-00	Spring, Torsion	112	579 47 18-02	Bracket, Mounting, Blade Brake/Clutch Cable
43	532 19 17-30	Nut, Hex, Nylock	113	532 43 81-30	Nut, Hex, Flanged 1/4-20
44	581 70 83-28	Kit, Lawn Mower Housing	115	584 29 94-01	Screw
45	532 17 56-50	Rod, Hinge	--	532 42 38-49	Bag of Parts (Includes Key Numbers 12 and 59)
46	581 27 74-01	Blade Brake/Clutch Assembly	--	115 62 69-20	Operator's Manual, European
47	581 04 52-01	Blade, 22"	--	115 62 69-10	Operator's Manual, Scandinavian
48	579 27 38-01	Washer, Flat	--	115 62 69-50	Operator's Manual, East Bloc
49	532 85 02-63	Washer, Lock	--	115 62 69-40	Operator's Manual, Baltic
			--	501 07 54-01	Operator's Manual, Turkish / Ukranian

**NOTE:** All component dimensions given in U.S. inches. 1 inch = 25.4 mm. **IMPORTANT:** Use only Original Equipment Manufacturer (O.E.M.) replacement parts. Failure to do so could be hazardous, damage your lawn mower and void your warranty.

# HUSQVARNA ROTARY LAWN MOWER - MODEL NUMBER LC 356VB (MFG. ID. NUMBER 96141028802)



# HUSQVARNA ROTARY LAWN MOWER - MODEL NUMBER LC 356VB (MFG. ID. NUMBER 96141028802)

KEY NO.	PART NO.	DESCRIPTION	KEY NO.	PART NO.	DESCRIPTION
1	581 95 05-05	Drive Control Assembly (Includes Cable)	29	581 84 04-01	Cover, Dust, Wheel
4	532 19 74-80	O-Ring	30	532 19 17-30	Nut, Hex 5/16-18
5	532 08 83-48	Washer, Flat	31	532 40 48-45	Pawl, Drive
9	581 95 21-01	Cable, Drive	32	581 68 51-01	Wheel & Tire Assembly, Rear
10	532 43 27-90	Mounting Bracket, Drive Control	33	532 40 91-48	Nut, Flangelock 3/8-16
12	580 36 46-04	Belt, Drive	34	532 40 48-35	Pinion
13	581 68 08-01	Gear Case Assembly, Complete	35	532 43 78-72	Kit, Wheel Adjuster, Front, RH
14	586 96 30-01	Pulley, Drive	36	532 43 78-71	Kit, Wheel Adjuster, Front, LH
15	581 49 79-06	Wheel Adjuster, Rear, RH	37	532 16 34-09	Screw, Hi-Lo Thread
16	581 49 79-05	Wheel Adjuster, Rear, LH	40	532 41 08-31	Wheel & Tire Assembly, Front
18	532 70 10-37	Selector Knob	41	532 43 84-89	Kit, Water Washout Assembly
20	580 80 69-01	Debris Shield	42	532 43 49-94	Fitting, Water Washout
22	817 00 05-10	Bolt, Hex Head	43	532 41 55-85	Washer, Lock, Internal Tooth
25	581 31 38-02	Mounting Bracket, Debris Shield	44	532 41 55-86	Locknut, Hex, with O-Ring
26	532 42 60-66	Belt Keeper	55	581 35 13-01	Spring, Return
27	532 06 77-25	Washer	59	532 44 21-13	Support Bracket, Rear
28	812 00 00-58	E-Ring 7/16	61	532 18 16-98	Screw
			86	587 96 92-01	Pulley, Idler
			87	581 12 76-01	Screw

**NOTE:** All component dimensions given in U.S. inches. 1 inch = 25.4 mm. **IMPORTANT:** Use only Original Equipment Manufacturer (O.E.M.) replacement parts. Failure to do so could be hazardous, damage your lawn mower and void your warranty.