

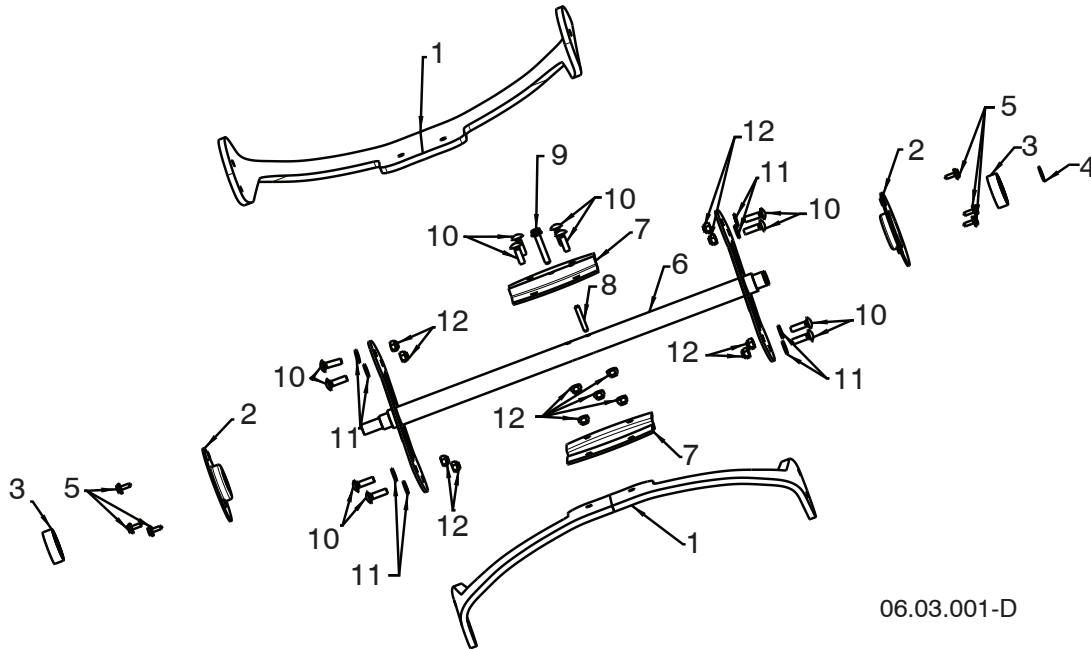
**ILLUSTRATED PARTS LIST**

**MODEL NUMBER ST 131**

**PRODUCT NUMBER 961 83 00-03**

**MFG. ID. NUMBER 96183000301**

**REPAIR PARTS SNOW THROWER - MODEL NUMBER ST 131 (96183000301)**  
**AUGER ASSEMBLY**

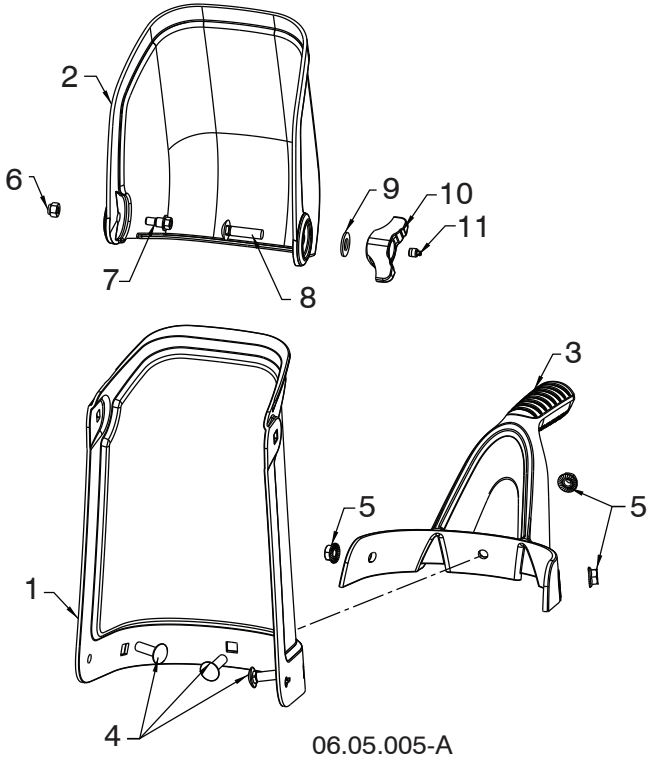


06.03.001-D

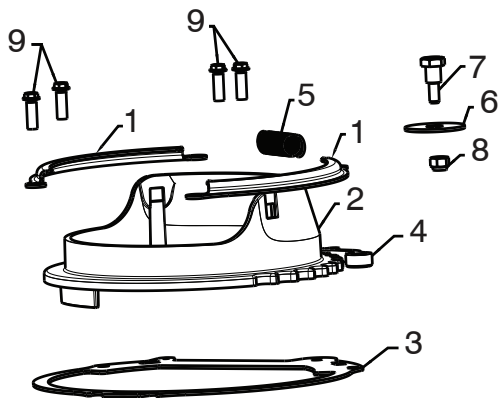
KEY NO.	PART NO.	DESCRIPTION
1	532 44 27-59	BLADE
2	580 85 55-01	BEARING SUPPORT
3	532 43 76-22	BALL BEARING
4	812 00 00-28	RETAINING RING
5	817 06 04-08	1/4-20 X 3/8 HEX SCREW
6	532 43 76-17	AUGER WELDMENT
7	580 85 54-01	CENTER BLADE PLATE
8	532 43 76-20	ROLL PIN
9	532 19 96-87	SCREW HEX WS HD 1/4-20 X 1.5
10	872 11 04-07	BOLT CARRIAGE 1/4-20 X 7/8
11	819 09 10-16	WASHER FLAT 1/4 SAE
12	532 13 20-04	NUT HEX 1/4-20 BZO

**NOTE:** All component dimensions given in U.S. inches. 1 inch = 25.4 mm  
**IMPORTANT:** Use only Original Equipment Manufacturer (O.E.M.) replacement parts.  
 Failure to do so could be hazardous, damage your snow thrower and void your warranty.

**REPAIR PARTS SNOW THROWER - MODEL NUMBER ST 131 (96183000301)**  
**CHUTE ASSEMBLY**



KEY NO.	PART NO.	DESCRIPTION
1	583 75 82-01	CHUTE
2	532 44 34-31	DEFLECTOR
3	587 41 21-01	HANDLE
4	532 43 73-18	CARRIAGE BOLT 5/16-18 X 1
5	873 97 05-00	NUT FL LOCK 5/16-18 X 1
6	532 13 20-04	NUT NYLOCK 1/4-20
7	532 44 46-82	SHOULD BOLT 1/4-20
8	872 11 05-10	CARRIAGE BOLT 5/16-18 X 1.25
9	819 13 13-16	WASHER 13/32 X 13/16 X 16 GA
10	532 19 19-38	KNOB – TWO WING
11	532 07 16-73	CAP PLASTIC

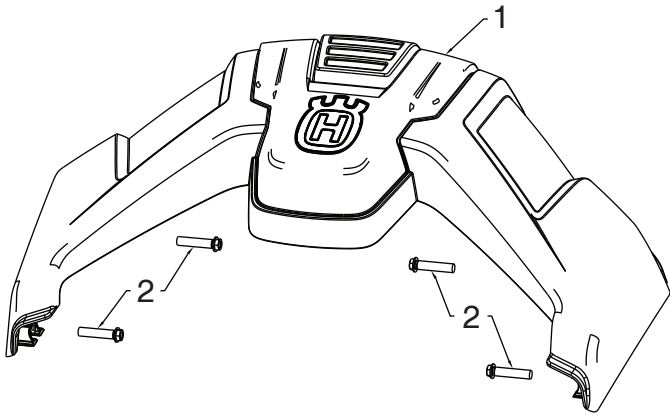


KEY NO.	PART NO.	DESCRIPTION
1	580 85 65-01	CHUTE RETAINER
2	587 23 81-01	CHUTE BASE
3	580 85 56-01	CHUTE BASE PLATE
4	532 43 48-78	RATCHET PAWL
5	532 43 48-79	SPRING
6	819 13 24-16	WASHER (13/32 X 1.25)
7	532 08 13-28	BOLT (1/4-20 X .94)
8	532 13 20-04	NUT (1/4-20 HEX
9	817 41 13-12	BOLT (13-16 X .75)

06.04.009-C

**NOTE:** All component dimensions given in U.S. inches. 1 inch = 25.4 mm  
**IMPORTANT:** Use only Original Equipment Manufacturer (O.E.M.) replacement parts.  
 Failure to do so could be hazardous, damage your snow thrower and void your warranty.

**REPAIR PARTS SNOW THROWER - MODEL NUMBER ST 131 (96183000301)  
HANDLE ASSEMBLY**



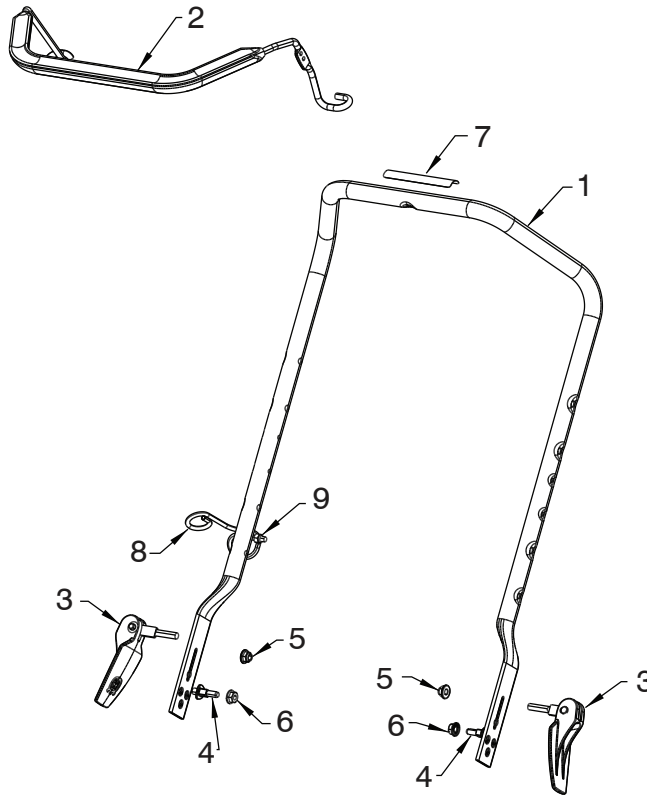
06.09.003-B

KEY NO.	PART NO.	DESCRIPTION
1	586 51 75-01	COVER ASM HUSQVARNA LITE
*2	817 41 13-18	SCREW 13-16 X 1.25 HEX WASHER

ITEMS MARKED WITH AN \* ARE PROVIDED IN THE BAG OF ITEMS SHIPPED LOOSE WITH PRODUCT.

**NOTE:** All component dimensions given in U.S. inches. 1 inch = 25.4 mm  
**IMPORTANT:** Use only Original Equipment Manufacturer (O.E.M.) replacement parts.  
Failure to do so could be hazardous, damage your snow thrower and void your warranty.

**REPAIR PARTS SNOW THROWER - MODEL NUMBER ST 131 (96183000301)  
HANDLE ASSEMBLY**

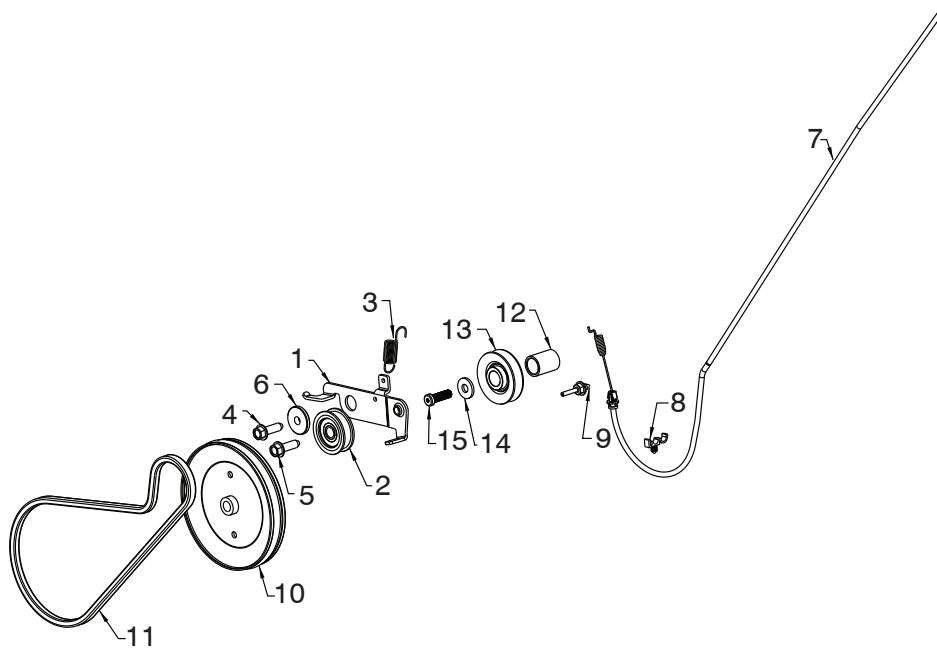


06.07.006-A

KEY NO.	PART NO.	DESCRIPTION
1	532 44 34-32	UPPER HANDLE ERGO GRAY
2	532 44 34-33	OVERMOLD BAIL ASM HUSQ
3	532 44 30-21	QUICK ADJUST SUBASM
4	532 19 92-55	STUD QUICK ADJ
5	532 44 22-48	NUT 5/16-18 FLANGE NYLOCK BLACK
6	873 97 05-00	NUT LOCK HEX FLANGE
7	532 43 75-06	DECAL HANDLE BAR AUGER INSTRUCTIONAL
8	532 44 22-34	ROPE GUIDE
9	532 13 20-04	NUT HEX 1/4-20 BZO

**NOTE:** All component dimensions given in U.S. inches. 1 inch = 25.4 mm  
**IMPORTANT:** Use only Original Equipment Manufacturer (O.E.M.) replacement parts.  
 Failure to do so could be hazardous, damage your snow thrower and void your warranty.

**REPAIR PARTS SNOW THROWER - MODEL NUMBER ST 131 (96183000301)**  
**DRIVE ASSEMBLY**

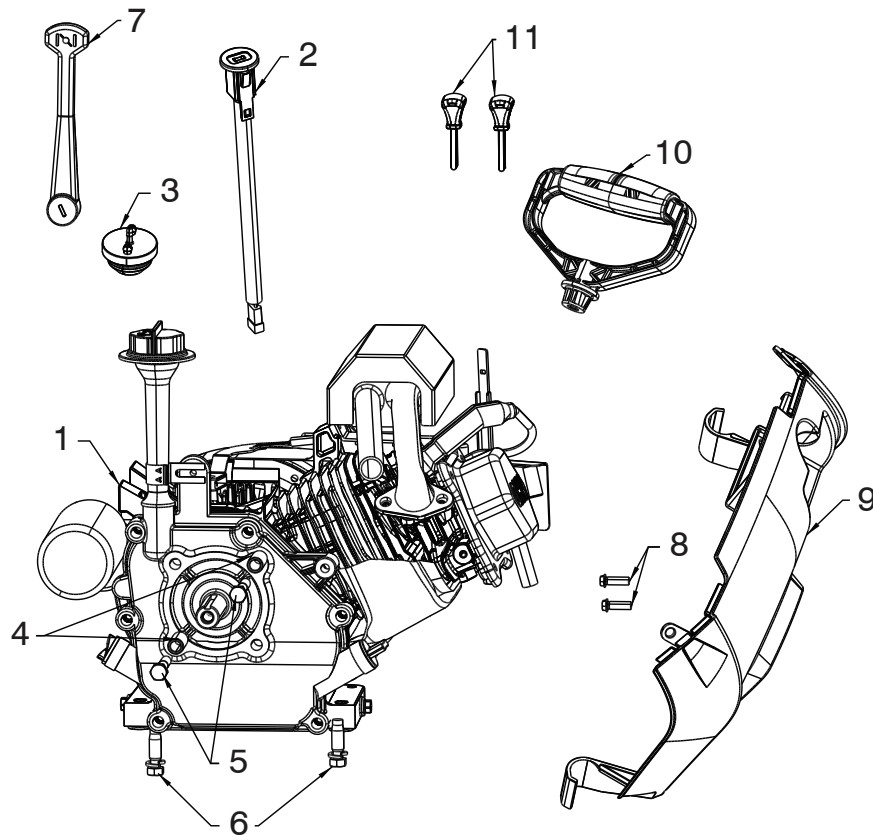


06.01.001-A

KEY NO.	PART NO.	DESCRIPTION
1	580 85 53-01	IDLER ARM
2	532 16 60-43	IDLER PULLEY
3	532 43 48-59	RETURN SPRING
4	817 06 06-20	SCREW 3/8-16 X 1-1/4 (TORQUE 13-18 FT-LBS)
5	817 06 06-20	SCREW 3/8-16 X 1-1/4 (TORQUE 22-27 FT-LBS)
6	532 19 90-92	SPACER
7	532 44 30-18	CLUTCH CABLE ASM
8	532 14 50-06	PUSH CLIP
9	532 43 45-02	BELT KEEPER
10	532 43 53-83	DRIVE PULLEY
11	532 43 72-61	BELT
12	532 43 48-60	ENGINE CRANK SPACER
13	532 42 64-90	ENGINE PULLEY
14	532 85 10-74	WASHER
15	532 43 08-17	SCREW 3/8-24 X 1/25

**NOTE:** All component dimensions given in U.S. inches. 1 inch = 25.4 mm  
**IMPORTANT:** Use only Original Equipment Manufacturer (O.E.M.) replacement parts. Failure to do so could be hazardous, damage your snow thrower and void your warranty.

**REPAIR PARTS SNOW THROWER - MODEL NUMBER ST 131 (96183000301)  
ENGINE ASSEMBLY**

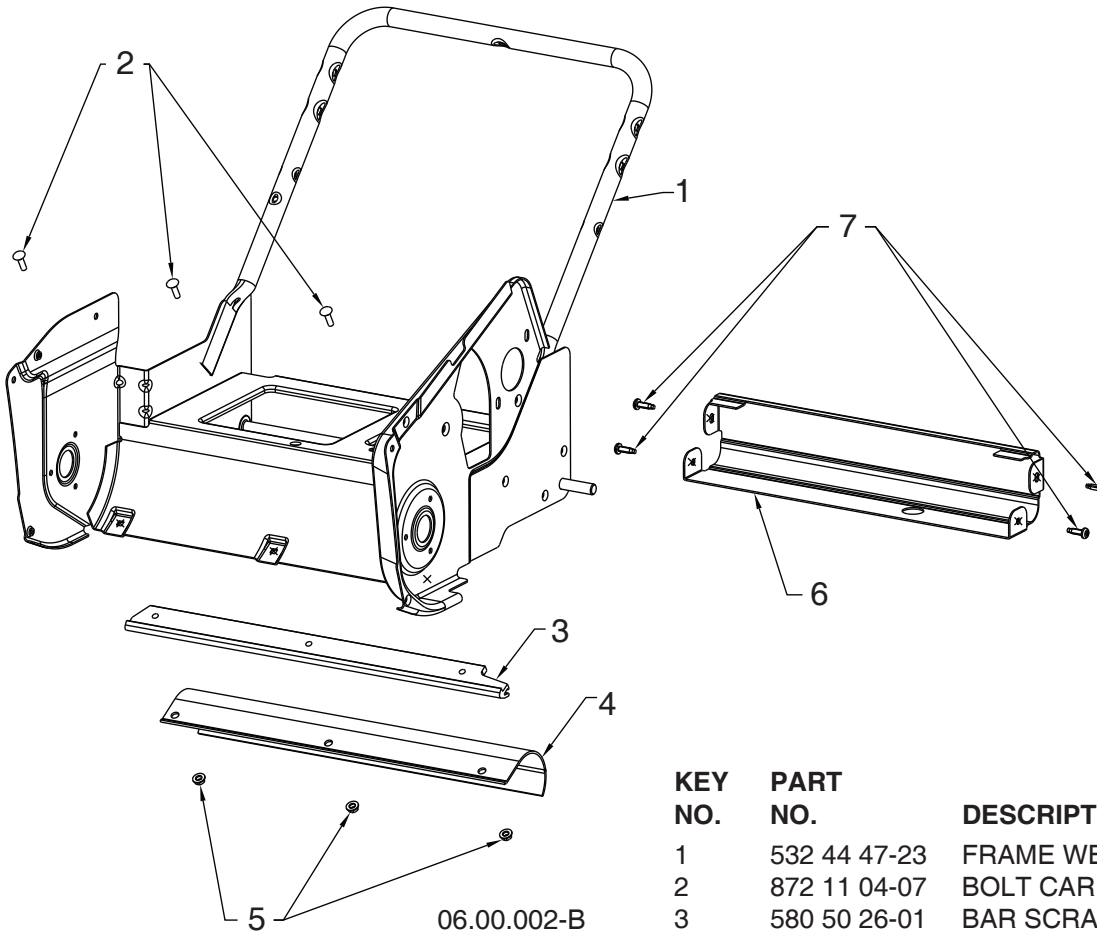


06.02.012-B

KEY NO.	PART NO.	DESCRIPTION
1	580 81 08-01	ENGINE LCT 208CC ESTART W_ALT PW3HK1865018E
2	532 43 54-07	KEY SWITCH
3	532 43 62-35	PRIMER BULB
4	532 43 48-57	ENGINE SPACER
5	532 43 55-78	SCREW 5/16-24 X 2.00 HHCS
6	532 15 04-06	ENGINE BOLT 3/8-16 DOGPOINT
7	532 43 48-74	CHOKE LEVER
8	817 41 13-12	SCREW HEX WSHHD #13 X .750
9	532 44 34-24	COVER REAR LOWER
10	532 42 49-68	RECOIL HANDLE
11	532 44 30-59	KEY SET (QTY: 2)

**NOTE:** All component dimensions given in U.S. inches. 1 inch = 25.4 mm  
**IMPORTANT:** Use only Original Equipment Manufacturer (O.E.M.) replacement parts.  
 Failure to do so could be hazardous, damage your snow thrower and void your warranty.

**REPAIR PARTS SNOW THROWER - MODEL NUMBER ST 131 (96183000301)**  
**FRAME ASSEMBLY**

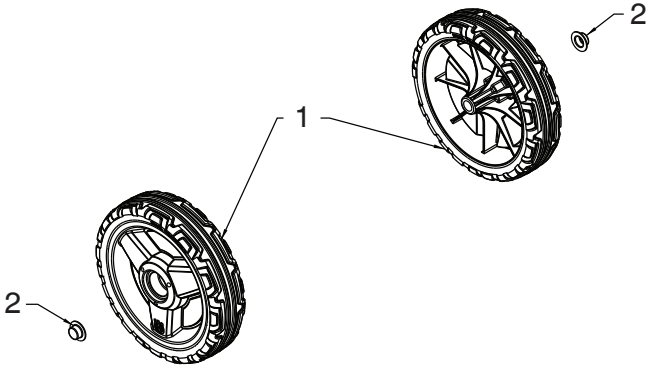


KEY NO.	PART NO.	DESCRIPTION
1	532 44 47-23	FRAME WELDMENT
2	872 11 04-07	BOLT CARRIAGE 1/4-20 X 7/8
3	580 50 26-01	BAR SCRAPER UHMW
4	532 44 21-46	SKIRT SCRAPER SSST
5	532 19 17-30	NUT HEX FLANGE 1/4-20 CTR LOCK
6	532 44 34-23	SUPPORT SSST REAR FRAME
7	532 44 22-50	SCREW PAN HD TORX 1/4-20 X .750

**NOTE:** All component dimensions given in U.S. inches. 1 inch = 25.4 mm  
**IMPORTANT:** Use only Original Equipment Manufacturer (O.E.M.) replacement parts.  
 Failure to do so could be hazardous, damage your snow thrower and void your warranty.



**REPAIR PARTS SNOW THROWER - MODEL NUMBER ST 131 (96183000301)**  
**FRAME ASSEMBLY**

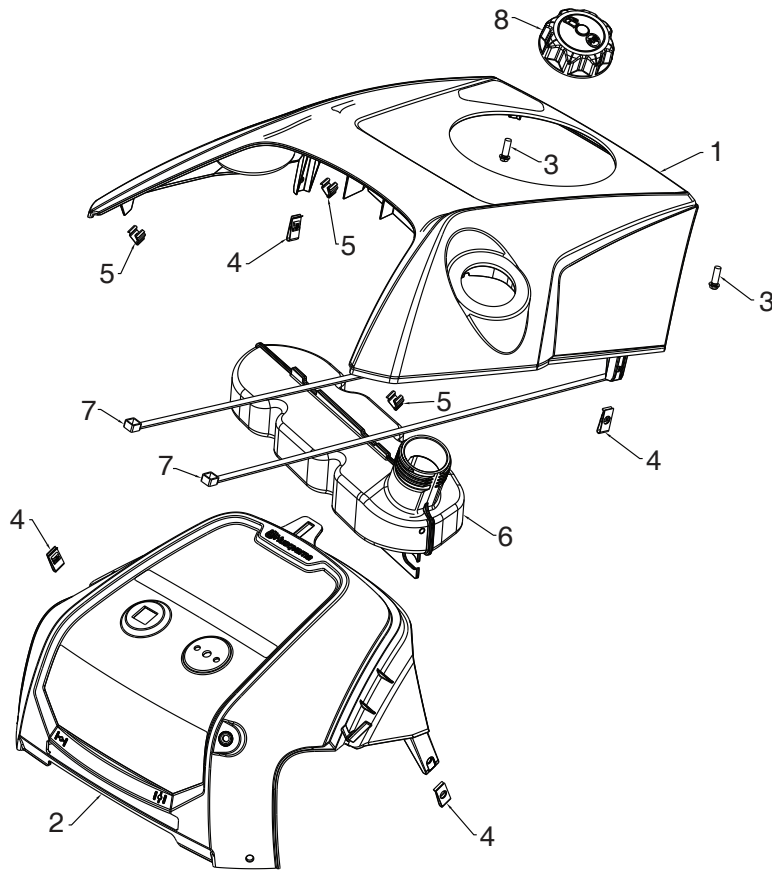


06.06.007-A

KEY NO.	PART NO.	DESCRIPTION
1	532 44 21-20	WHEEL HUSQ 8" BAR SN
2	532 43 54-17	PUSH NUT

**NOTE:** All component dimensions given in U.S. inches. 1 inch = 25.4 mm  
**IMPORTANT:** Use only Original Equipment Manufacturer (O.E.M.) replacement parts.  
 Failure to do so could be hazardous, damage your snow thrower and void your warranty.

**REPAIR PARTS SNOW THROWER - MODEL NUMBER ST 131 (96183000301)**  
**SHROUD ASSEMBLY**

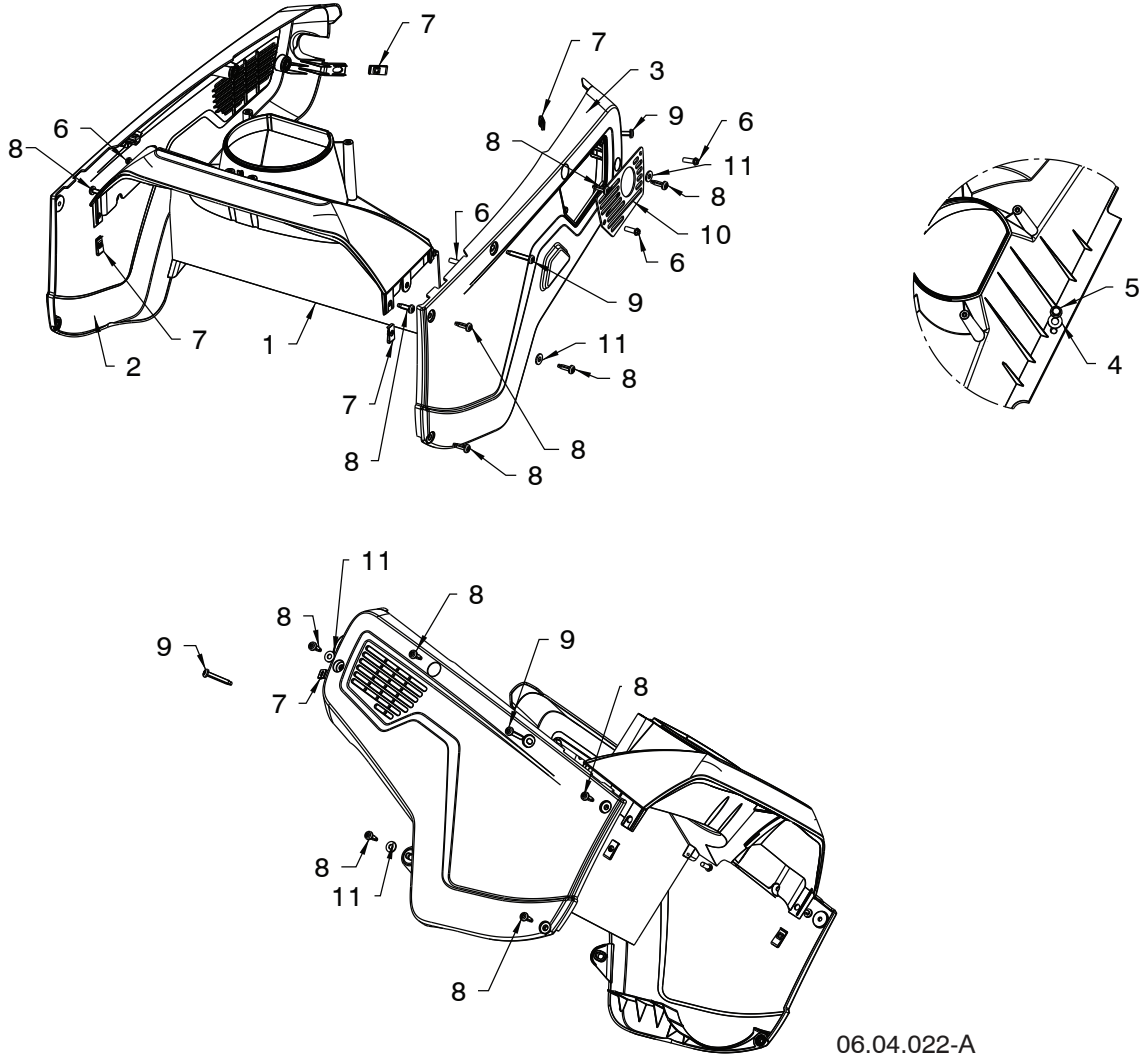


06.04.014-F

KEY NO.	PART NO.	DESCRIPTION
1	532 44 41-33	TOP COVER
2	588 75 40-01	REAR UPPER COVER
3	817 41 13-12	BOLT 13-16 X .75
4	532 19 66-88	THREADED CLIP
5	532 43 48-68	TRIM CLIP
6	580 98 26-01	FUEL TANK ASSEMBLY
7	532 14 68-48	CABLE TIE
8	581 07 55-01	FUEL CAP/GASKET

**NOTE:** All component dimensions given in U.S. inches. 1 inch = 25.4 mm  
**IMPORTANT:** Use only Original Equipment Manufacturer (O.E.M.) replacement parts.  
 Failure to do so could be hazardous, damage your snow thrower and void your warranty.

**REPAIR PARTS SNOW THROWER - MODEL NUMBER ST 131 (96183000301)  
SHROUD ASSEMBLY**



06.04.022-A

KEY NO.	PART NO.	DESCRIPTION
1	532 44 34-25	PLENUM
2	584 98 99-04	NON - DRIVE COVER
3	584 99 00-04	DRIVE COVER SIDE
4	819 13 13-16	WASHER 13/32 X 13/16 16 GA
5	532 42 88-67	BOLT 5/16-18 X .75
6	817 41 13-12	BOLT 13-16 X .75
7	532 19 66-88	THREADED CLIP
8	532 44 22-50	SCREW 1/4-20 X .75
9	532 44 42-62	SCREW 1/4-20 X 1.5
10	580 83 35-01	EXHAUST PLATE
11	819 09 10-16	WASHER FLAT 1/4 SAE

**NOTE:** All component dimensions given in U.S. inches. 1 inch = 25.4 mm  
**IMPORTANT:** Use only Original Equipment Manufacturer (O.E.M.) replacement parts.  
Failure to do so could be hazardous, damage your snow thrower and void your warranty.

# REPAIR PARTS ENGINE, LCT

# SNOW THROWER - MODEL NUMBER ST 131 (96183000301) COMPLETE ENGINE - 580810801

136/179/208cc Single-Stage Snow Engines

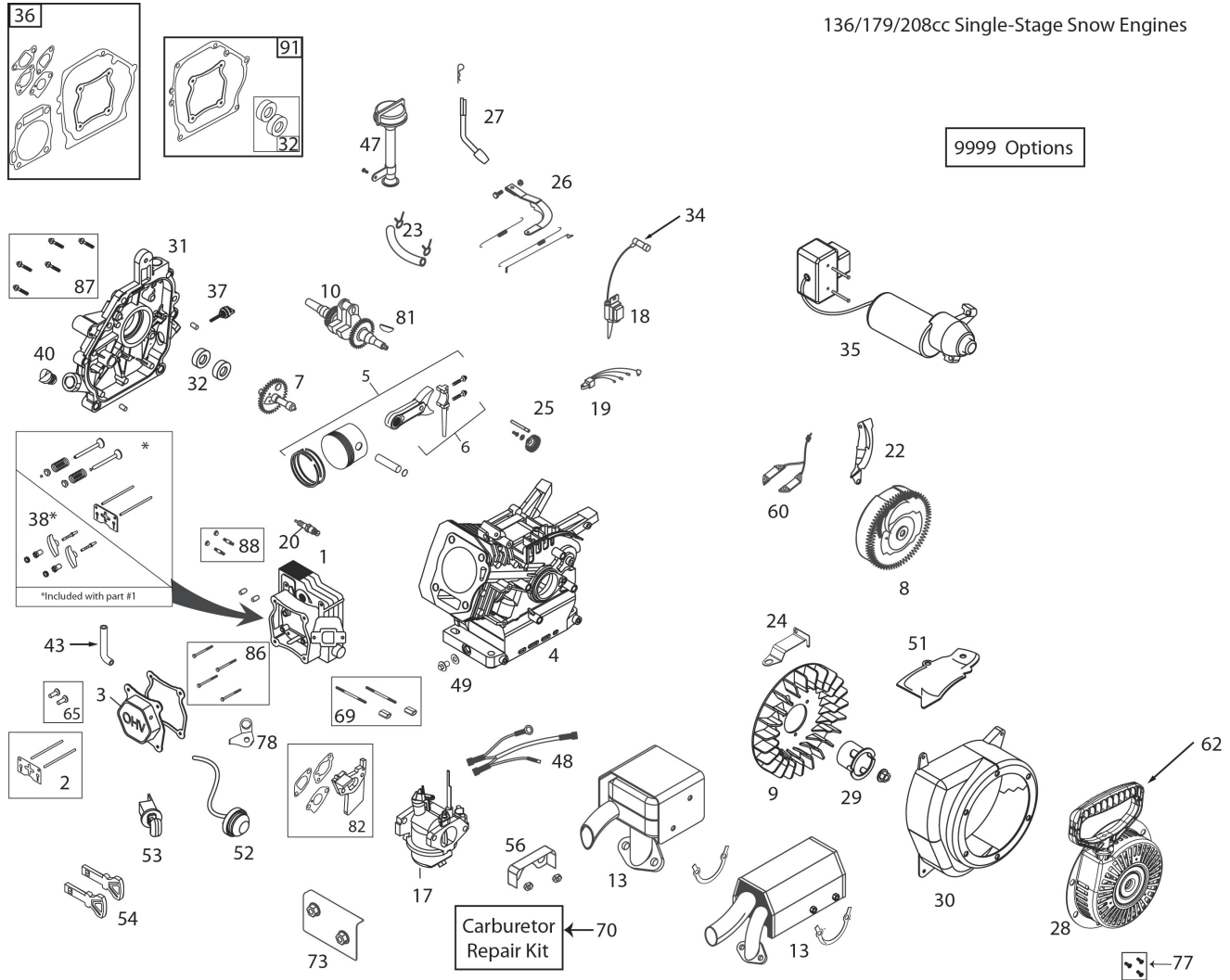


ILLUSTRATION FOR REFERENCE PURPOSES ONLY

### KEY PART NO. NO.

KEY PART NO.	NO.	DESCRIPTION
1	532 42 05-78	CYLINDER HEAD ASSEMBLY - 208CC (INCL. GASKET)
2	532 42 05-79	PUSH ROD & PLATE KIT (208CC)(INCL. VALVE COVER GSKT)
3	532 42 05-80	VALVE COVER (208CC) (INCL. GASKET)-OBSOLETE (SK2084501.1)
4	532 43 65-67	CYLINDER - 208CC GEN LL SNOW
5	532 42 05-82	PISTON & ROD ASSEMBLY (208CC)
6	532 42 05-83	CONNECTING ROD ASSEMBLY (208CC)

### KEY PART NO. NO.

KEY PART NO.	NO.	DESCRIPTION
7	532 42 05-84	CAMSHAFT - MCR (208CC)
8	532 42 92-35	FLYWHEEL - ELECTRIC START (2-CHARGING MAGNETS) (208CC)
9	532 42 05-86	COOLLNG FAN - FLYWHEEL (PLASTIC - 208CC)
10	532 44 66-42	CRANKSHAFT (#18 KEYED 208CC SNOW)
13	532 44 42-77	MUFFLER ASSY (208CC SS SNOW) (PPP)
17	532 43 71-22	CARBURETOR (L10-4) (SS SNOW 208CC- W/GSKTS & SPACER)

**NOTE:** All component dimensions given in U.S. inches. 1 inch = 25.4 mm  
**IMPORTANT:** Use only Original Equipment Manufacturer (O.E.M.) replacement parts.  
 Failure to do so could be hazardous, damage your snow thrower and void your warranty.

<b>REPAIR PARTS</b>	<b>SNOW THROWER - MODEL NUMBER ST 131 (96183000301)</b>
<b>ENGINE, LCT</b>	<b>COMPLETE ENGINE - 580810801</b>

KEY PART NO. NO.	DESCRIPTION	KEY PART NO. NO.	DESCRIPTION
18	532 44 39-34 IGNITION COIL (CDI) (208CC) (STANDARD)	47	532 44 40-91 HIGH OIL-FILL TUBE/DIPSTICK (ROUND THREADED TYPE) (SN <1265H
19	N/A	48	532 44 42-76 WIRE HARNESS (SINGLE STAGE)-SNOW
20	532 42 49-39 SPARK PLUG	49	532 43 54-95 OIL DRAIN PLUG W/WASHER (136/208/254CC)
22	532 42 49-75 SHIELD - FLYWHEEL - ELECTRIC START - SNOW	51	532 43 71-19 SHIELD - CYLLNDER
23	532 43 80-14 FUEL HOSE KIT - SINGLE STAGE SNOW (318MM)	52	532 43 71-23 PRIMER BULB W/HOSE KIT (SINGLE STAGE)SNOW
24	532 42 92-59 SPEED CONTROL BRACKET (FIXED)	53	532 42 49-54 SAFETY KEY SWITCH -SNOW (INCL. KEYS)
25	532 42 96-46 GOVERNOR GEAR ASSEMBLY (136/208CC)	54	532 44 30-59 KEY SET - RED (2) (SNOW)
26	581 76 87-01 GOVERNOR ARM & LINK KIT (208CC SNOW - 3600 FIXED RPM)	56	532 42 92-60 CARBURETOR VAPOR SHIELD - 208CC SNOW
27	532 42 06-02 GOVERNOR ARM PADDLE	60	N/A
28	585 77 12-01 RECOIL STARTER (SINGLE-STAGE 78" ROPE)	62	532 42 49-68 STARTER GRIP-SNOW
29	532 43 69-68 STARTER CUP (USE WITH ROUND STYLE STARTER) (208CC SNOW)	65	581 37 28-01 TAPPET KIT (208/254CC) (SET OF 2)
30	580 96 05-01 BLOWER HOUSING - BLACK ELECTRIC START W/WELDNUT (208CC)	69	532 42 49-51 CARBURETOR STUDS & COU- PLLNG KIT-SNOW
31	532 42 06-06 CRANKCASE COVER ASSY-HOFT (THREADED) (INCL. GASKET)	70	580 35 36-01 CARBURETOR REPAIR KIT (136/208/254CC)
32	532 42 95-99 OIL SEAL KIT (2 PCS FOR 3/4-INCH CRANKSHAFT)	73	532 44 42-75 INTAKE SHIELD (208CC SS SNOW)
34	532 43 69-66 SPARK PLUG BOOT - WITH METAL SHIELD (SNOW)	77	532 43 26-88 RECOIL BOLT KIT (3 BOLTS PER KIT)
35	532 43 71-24 120V ELECTRIC STARTER (208CC SS SNOW)	78	581 45 93-01 BREATHER TUBE BRACKET
36	532 42 96-01 ENGINE GASKET KIT (208CC)	81	585 29 72-01 WOODRUFF FLYWHEEL KEYS (5-PACK) (5X6X18MM) (208/414CC)
37	532 42 09-61 SMALL BLACK OIL DIPSTICK (PLASTIC)	82	585 02 05-03 208CC/254CC CARBURETOR SPACER KIT
38	532 42 96-91 ROCKER ARM KIT (208CC) (INCL. GASKET)	86	586 32 73-01 CYLINDER HEAD BOLT KIT (4) (136-179-208-254CC)
40	532 42 95-98 NON-REMOVABLE PLASTIC PLUG (136/208/254CC)	87	586 32 69-01 CC COVER BOLT KIT (6) (179-208-254CC)
43	580 35 34-01 BREATHER TUBE (136/208/254CC)	88	586 32 68-01 MUFFLER MTG STUD KIT (2)
		91	587 52 57-01 CRANKSHAFT GASKET KIT 179-208CC
		9999	586 32 62-01 HIGH ALTITUDE JET (>6,000 FEET)(208CC L10-1 CARBURETOR)

**NOTE:** All component dimensions given in U.S. inches. 1 inch = 25.4 mm  
**IMPORTANT:** Use only Original Equipment Manufacturer (O.E.M.) replacement parts. Failure to do so could be hazardous, damage your snow thrower and void your warranty.

