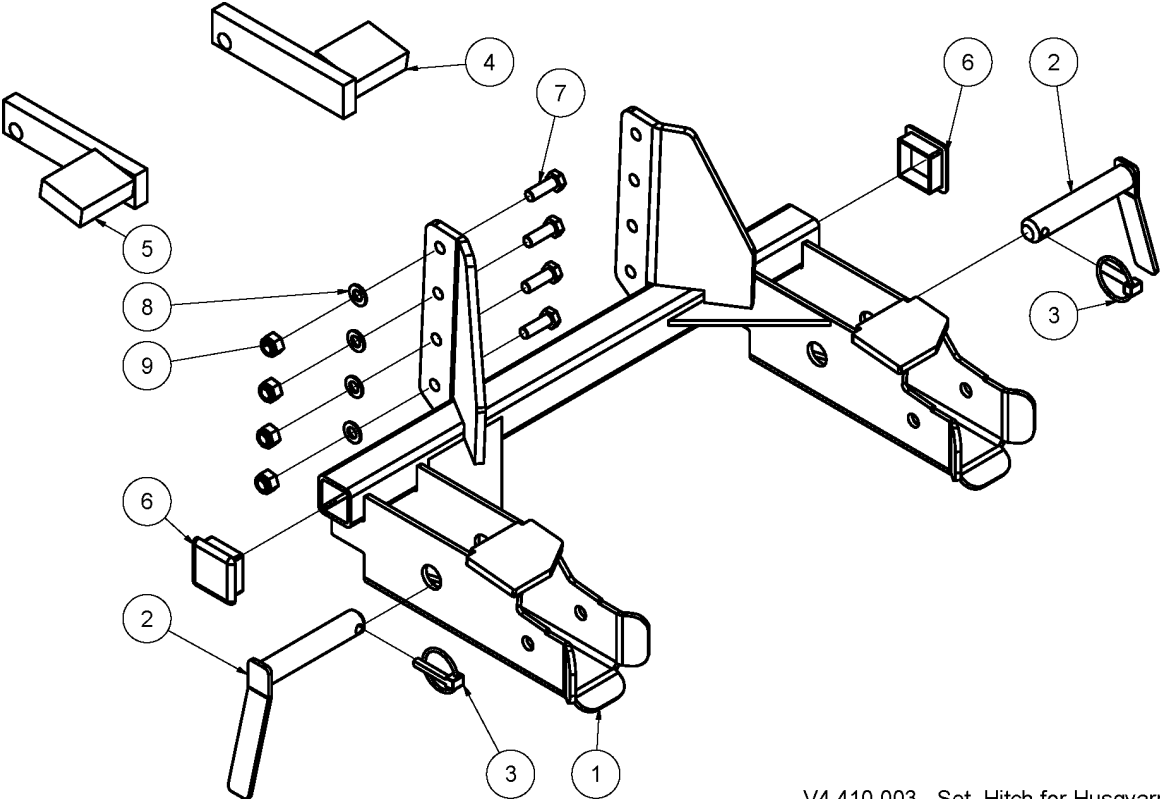




SPARE PARTS LIST

ACCESSORIES AND TOOLS

BROOM, HBM 150, 588708701, 2015-11

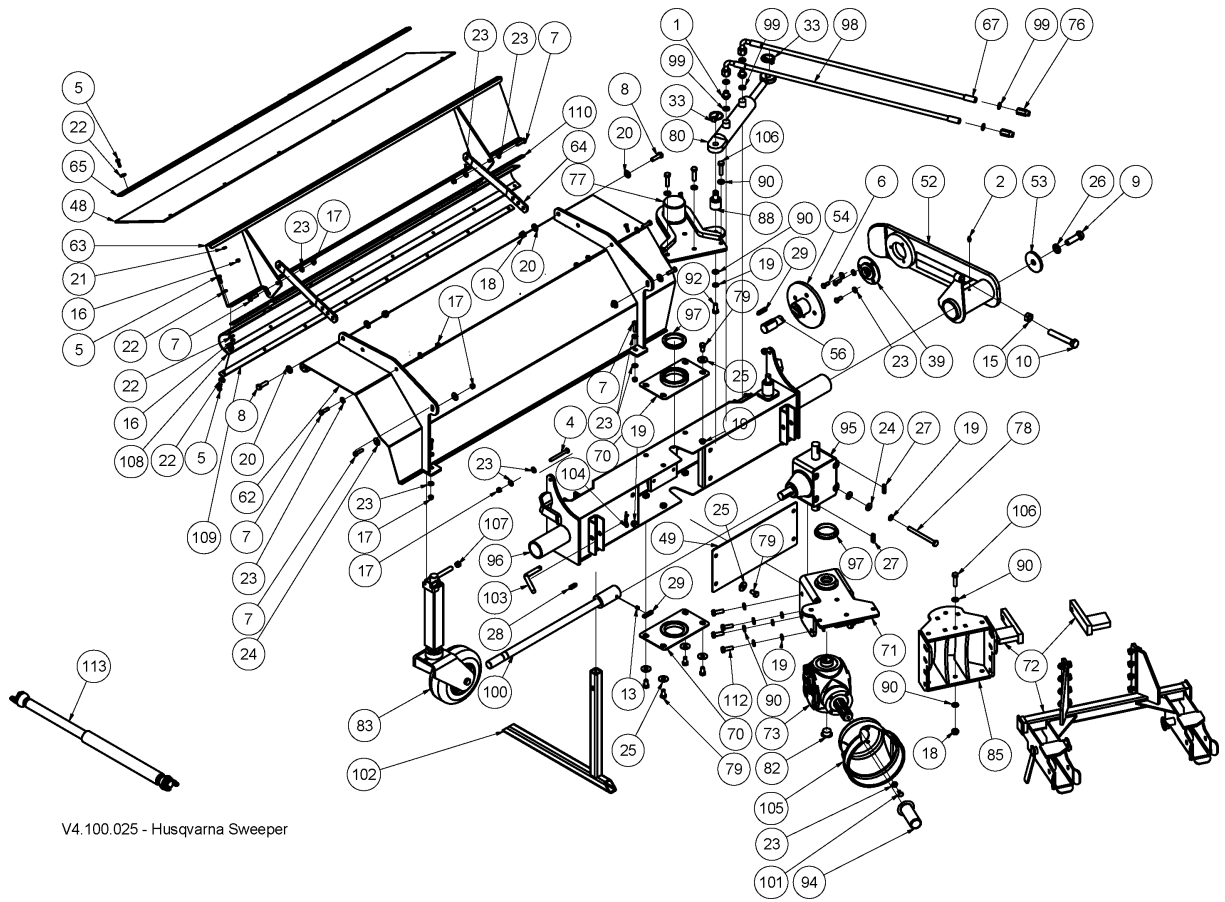


V4.410.003 - Set, Hitch for Husqvarna Px

ATTACHMENTS

BROOM, HBM 150, 588708701, 2015-11

Ref	Part No	Description	Remark	QTY KIT
1	579 75 20-01	LUBRICATION NIPPLE		
2	589 21 20-01	SCREW		
3	589 21 21-01	SCREW		
4	589 21 22-01	SCREW		
5	501 06 25-01	SCREW		
6	725 24 51-71	SCREW EHHM		
7	725 24 95-71	SCREW EHHM		
8	725 24 97-51	SCREW		
9	589 21 23-01	SCREW		



V4.100.025 - Husqvarna Sweeper

CHASSIS

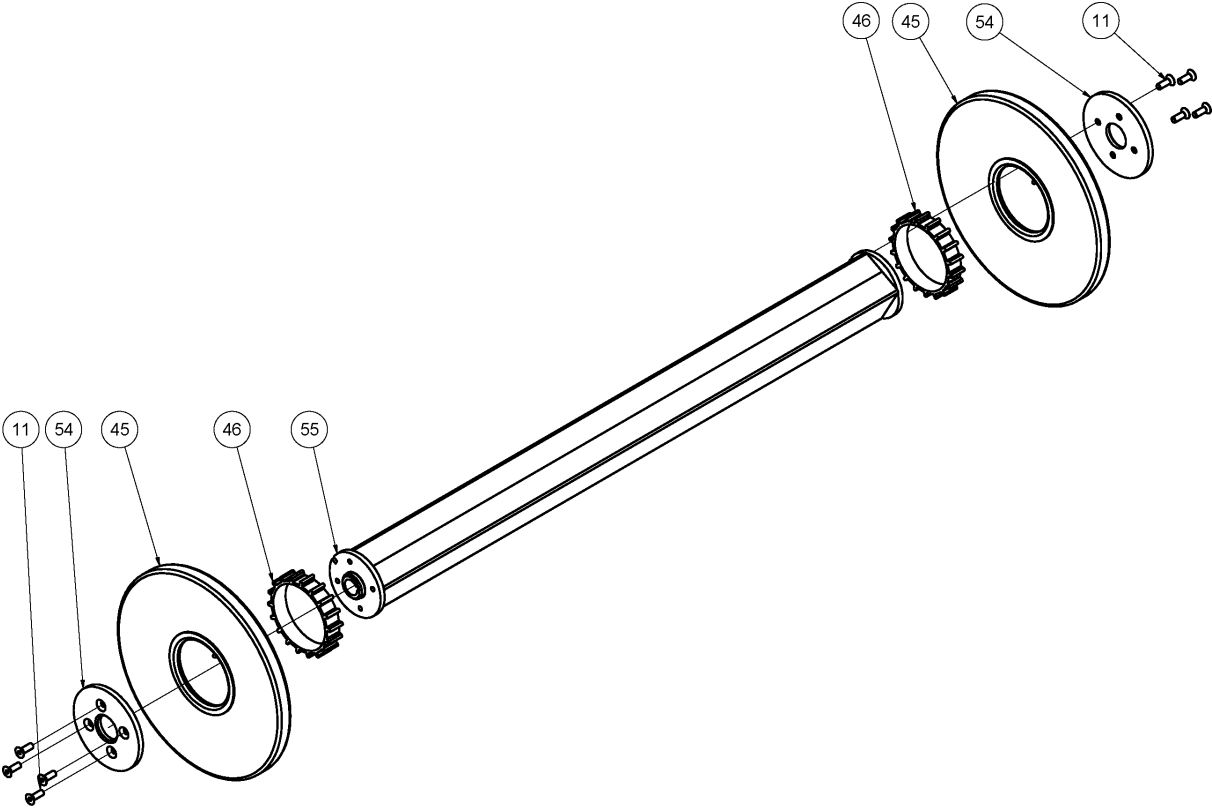
BROOM, HBM 150, 588708701, 2015-11

Ref	Part No	Description	Remark	QTY KIT
1	579 75 20-01	LUBRICATION NIPPLE		
2	589 21 20-01	SCREW		
4	589 21 22-01	SCREW		
5	501 06 25-01	SCREW		
6	725 24 51-71	SCREW EHHM		
7	725 24 55-71	SCREW EHHM		
8	725 24 97-51	SCREW		
9	589 21 23-01	SCREW		
10	589 21 24-01	SCREW		
13	589 21 33-01	SCREW		
15	589 21 34-01	HEXAGON NUT		
16	732 21 16-01	NUT		
17	732 21 18-01	LOCK NUT		
18	732 21 20-51	NUT		
19	589 21 36-01	WASHER		
20	589 21 37-01	WASHER		
21	589 21 39-01	WASHER		
22	734 11 54-41	WASHER		
23	734 11 64-01	WASHER		
24	734 11 64-41	WASHER		
25	734 11 74-60	WASHER		
26	579 75 00-01	WASHER		
27	501 06 26-01	PARALLEL KEY		
28	589 21 43-01	PARALLEL KEY		
29	589 21 44-01	PARALLEL KEY		
33	589 23 34-01	COTTER		
39	589 23 40-01	BEARING		
48	589 23 51-01	COVERING		
49	589 23 52-01	COVER PLATE		
52	589 23 55-01	ARM		
53	589 23 56-01	WASHER		
54	589 23 57-01	BUSH		
56	589 23 60-01	SHAFT		
62	589 23 67-01	SCREEN		
63	589 23 68-01	SCREEN		
64	589 23 69-01	CLIP		
65	589 23 70-01	RAIL		
67	579 51 26-01	HYDRAULIC HOSE		
70	589 23 72-01	FIXING PLATE		
71	589 23 73-01	SUPPORT		
72	589 23 75-01	HITCH		
73	589 23 76-01	GEARBOX		
76	579 51 23-01	COUPLING		
77	589 23 77-01	PROTECTIVE CAP		
78	501 06 27-01	SCREW		
79	589 23 79-01	SCREW		
80	589 23 80-01	CYLINDER		
82	589 23 81-01	CAP		
83	589 23 82-01	SUPPORT WHEEL		
85	589 23 83-01	SUPPORT		
88	734 11 72-01	WASHER		
90	589 23 86-01	SCREW		
92	589 23 87-01	COVER		
94	589 23 87-01	COVER		
95	589 23 88-01	GEARBOX		
96	589 23 89-01	CHASSIS		
97	589 23 90-01	BUSH		
98	579 51 25-01	HYDRAULIC HOSE		
99	579 51 27-01	SEALING		
100	589 21 26-01	DRIVE SHAFT		
101	725 24 49-51	SCREW		
102	589 21 27-01	SUPPORT LEG		
103	579 51 33-01	PEN		
104	721 68 02-51	SPRING COTTER		

CHASSIS

BROOM, HBM 150, 588708701, 2015-11

Ref	Part No	Description	Remark	QTY KIT
105	589 21 28-01	PROTECTION		
106	589 21 29-01	SCREW		
107	589 21 30-01	CAP		
108	501 06 28-01	PROTECTION		
109	501 06 29-01	RAIL		
110	501 06 30-01	RAIL		
112	725 24 95-71	SCREW EHHM		
113	579 86 46-01	AXLE		

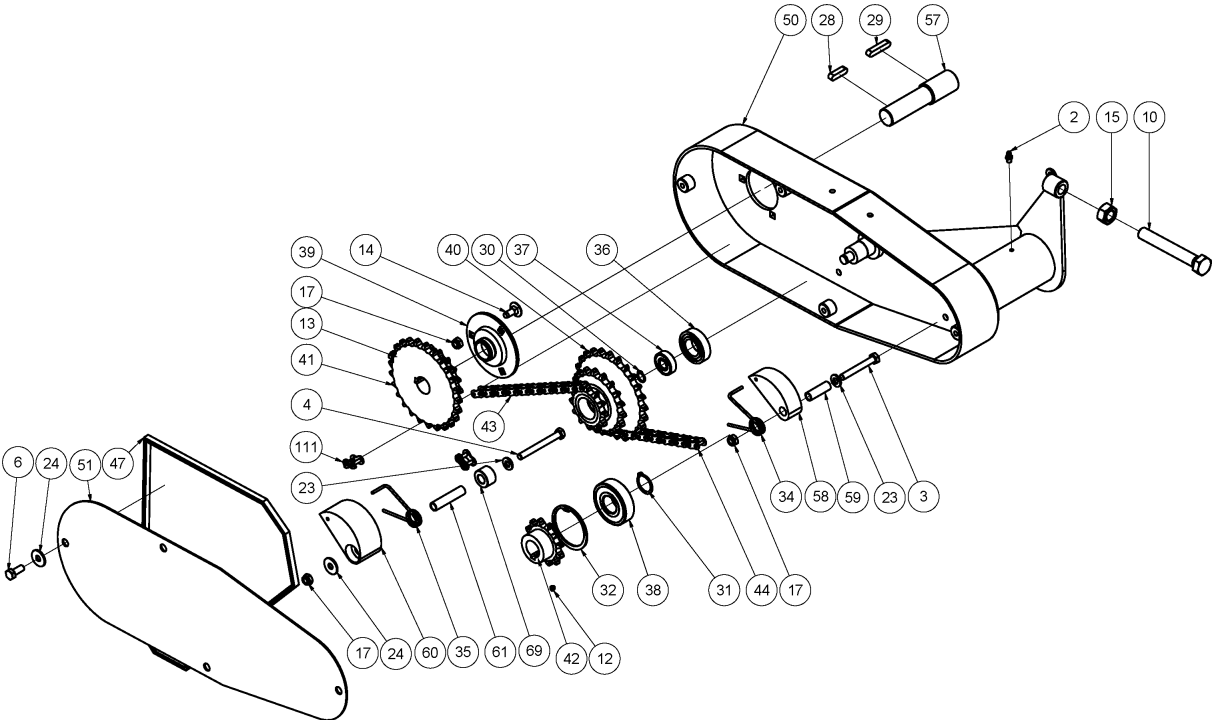


V4.100.025 - Brushrings assembly

SHAFT

BROOM, HBM 150, 588708701, 2015-11

Ref	Part No	Description	Remark	QTY KIT
11	589 21 31-01	SCREW		1
45	589 23 48-01	BRUSH		1
46	589 23 49-01	SPACER		1
54	589 23 57-01	BUSH		1
55	589 23 59-01	PROTECTOR BAR		1



V4.100.025 - Transmission box assembly

TRANSMISSION

BROOM, HBM 150, 588708701, 2015-11

Ref	Part No	Description	Remark	QTY KIT
2	589 21 20-01	SCREW		
3	589 21 21-01	SCREW		
4	589 21 22-01	SCREW		
6	725 24 51-71	SCREW EHHM		
10	589 21 24-01	SCREW		
12	589 21 32-01	SCREW		
13	589 21 33-01	SCREW		
14	589 21 35-01	BOLT		
15	589 21 34-01	HEXAGON NUT		
17	732 21 18-01	LOCK NUT		
23	734 11 64-01	WASHER		
24	734 11 64-41	WASHER		
28	589 21 43-01	PARALLEL KEY		
29	589 21 44-01	PARALLEL KEY		
30	735 31 12-00	CIRCLIP		
31	589 23 31-01	RETAINER RING		
32	589 23 32-01	RETAINER RING		
34	589 23 35-01	TORSION SPRING		
35	589 23 36-01	ARM		
36	589 23 37-01	BALL BEARING		
37	589 23 38-01	BALL BEARING		
38	589 23 39-01	BALL BEARING		
39	589 23 40-01	BEARING		
40	589 23 42-01	GEAR WHEEL		
41	589 23 43-01	GEAR WHEEL		
42	589 23 44-01	GEAR WHEEL		
43	589 23 46-01	CHAIN		
44	589 23 47-01	CHAIN		
47	589 23 50-01	TAPE		
50	589 23 54-01	COVER		
51	589 23 55-01	ARM		
57	589 23 61-01	SHAFT		
58	589 23 62-01	BLOCK		
59	589 23 64-01	PIPE		
60	589 23 65-01	BLOCK		
61	589 23 66-01	PIPE		
69	589 23 71-01	BUSHING		
111	501 06 32-01	JOINT		