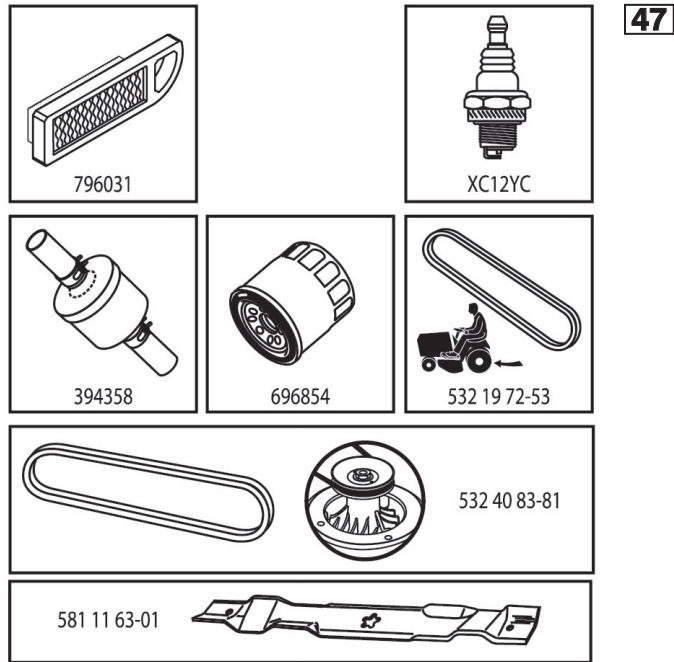


# ILLUSTRATED PARTS LIST

**MODEL NO. 96041038300**

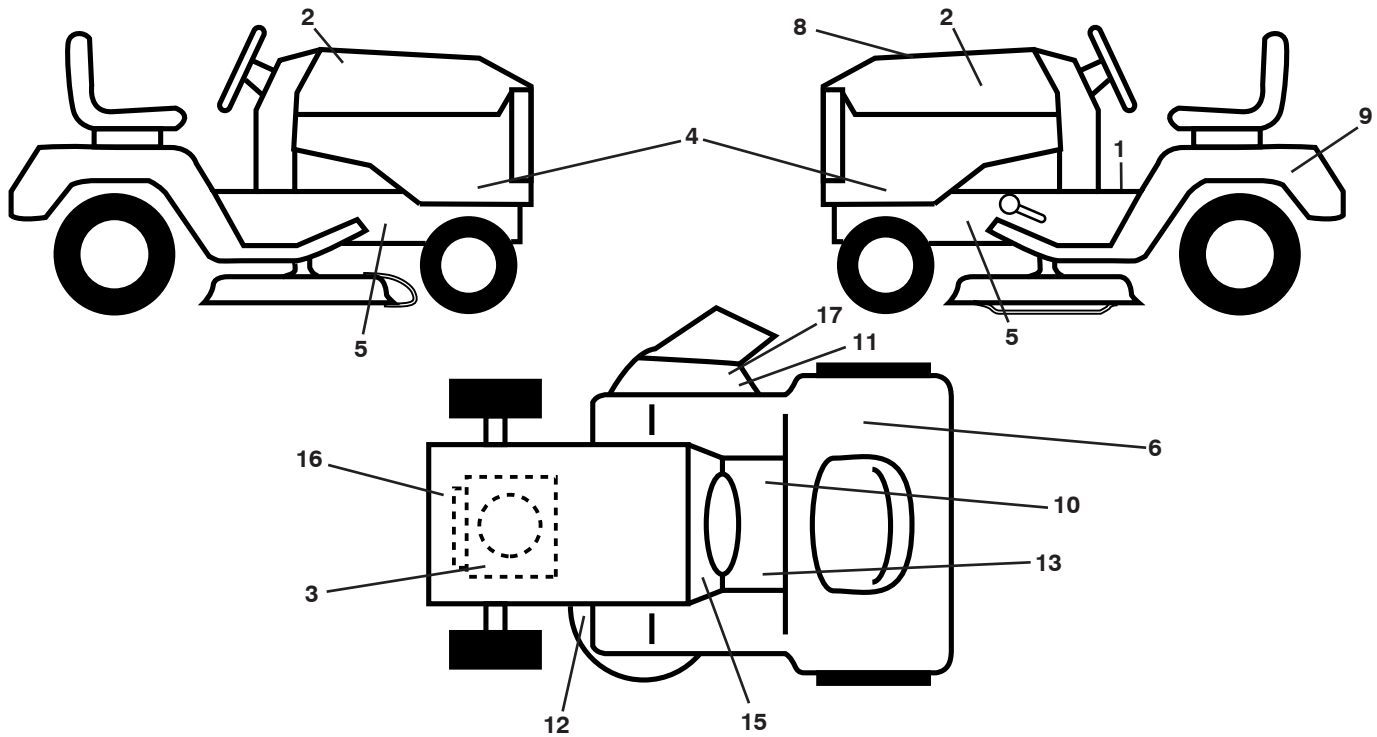
**CUSTOMER CATALOG NO. TS 138**

**PRODUCT NO. 960 41 03-83**



588738701

**TRACTOR - - MODEL NO. TS 138 (96041038300), PRODUCT NO. 960 41 03-83**  
**DECALS 27**



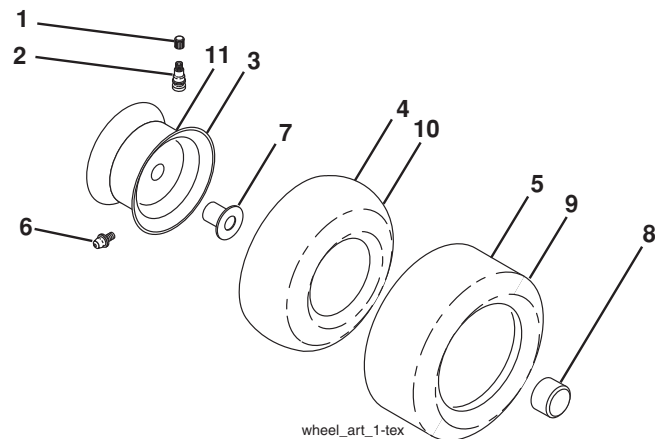
**KEY PART NO. NO.**

| KEY PART NO. | NO.          | DESCRIPTION                 |
|--------------|--------------|-----------------------------|
| 1            | 581 57 81-01 | Decal, Operators            |
| 2            | 581 62 73-01 | Hood Emblem                 |
| 3            | 581 57 97-01 | Decal, Warning Eng. Symbols |
| 4            | 587 40 73-01 | Decal, Hood Panel           |
| 5            | 581 57 96-01 | Decal, Chassis Hot Muffler  |
| 6            | 501 08 26-01 | Decal, ECM Australia        |
| 8            | 588 73 87-01 | Decal, Rpl.                 |
| 9            | 532 14 50-05 | Decal, Battery Dan./Poi.    |
| 10           | 581 57 80-01 | Decal, Saddle Brake Parking |
| 11           | 581 57 92-01 | Decal, Warning              |

**KEY PART NO. NO.**

| KEY PART NO. | NO.          | DESCRIPTION                   |
|--------------|--------------|-------------------------------|
| 12           | 581 58 00-03 | Decal, Mower V-Belt Schematic |
| 13           | 581 72 40-01 | Decal, Brake/Clutch Symbol    |
| 15           | 586 06 62-01 | Decal, Snowflake              |
| 16           | 501 68 63-01 | Decal, Eng. BS                |
| 17           | 584 90 46-01 | Decal, Deflect. Warning       |
| --           | 581 72 48-01 | Decal, Bypass                 |
| --           | 581 72 46-01 | Decal, Drawbar Load Limit     |
| --           | 532 43 96-81 | Pad, Footrest, LH             |
| --           | 532 43 96-82 | Pad, Footrest, RH             |
| --           | 588 78 61-28 | Manual Oper. English          |

**WHEELS AND TIRES**



**KEY PART NO. NO.**

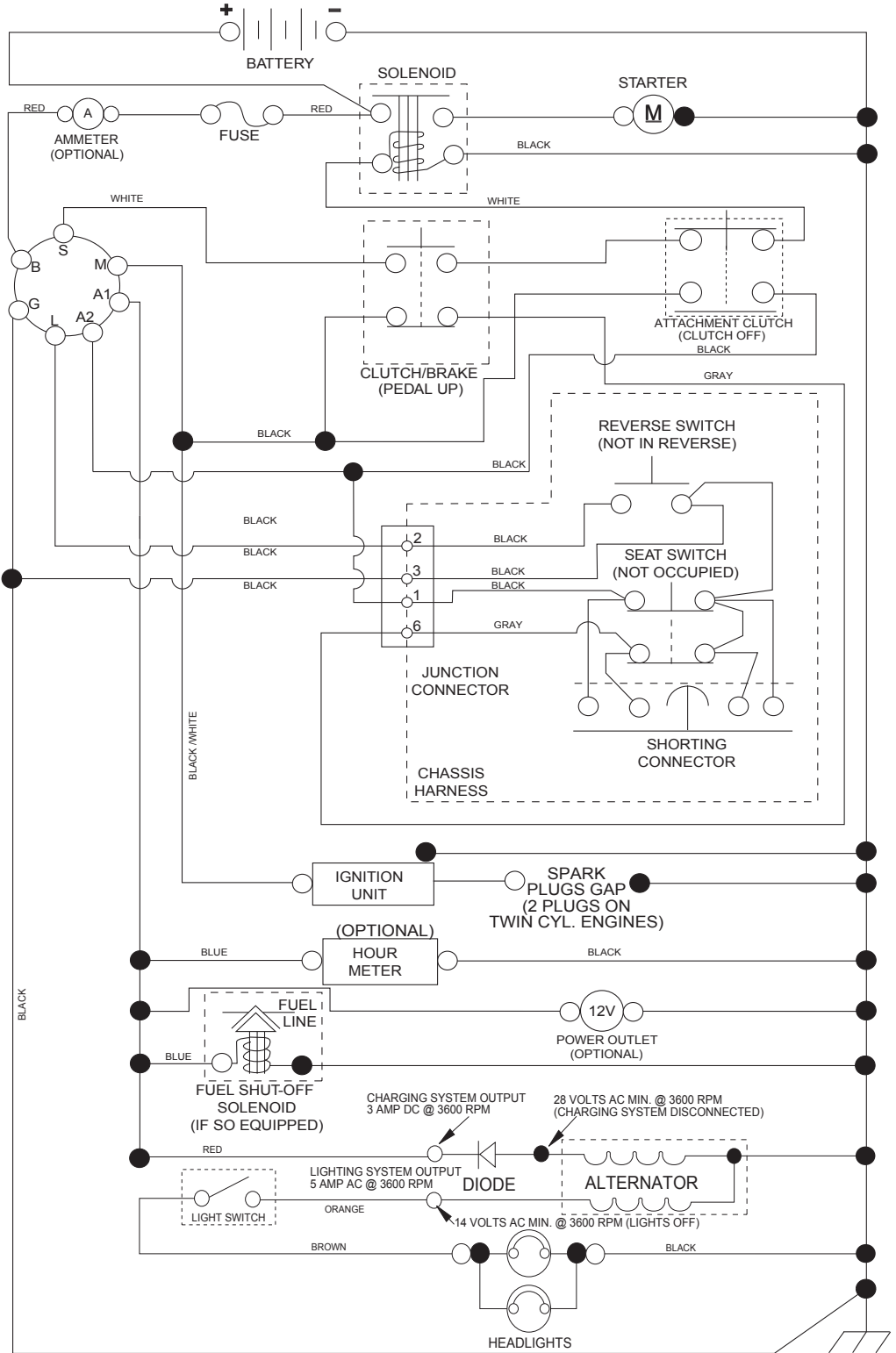
| KEY PART NO. | NO.          | DESCRIPTION                       |
|--------------|--------------|-----------------------------------|
| 1            | 532 05 91-92 | Cap Valve Tire                    |
| 2            | 532 06 51-39 | Stem Valve                        |
| 3            | 532 13 83-36 | Rim Asm. 6" Front                 |
| 4            | 532 05 99-04 | Tube Front (Service Item Only)    |
| 5            | 532 10 62-22 | Tire Front 15 x 6-6               |
| 6            | 532 12 49-57 | Fitting Grease (Front Wheel Only) |
| 7            | 532 12 49-59 | Bearing Flange (Front Wheel Only) |
| 8            | 532 17 50-39 | Cap Axle Blk. 1 50 x 1 00         |
| 9            | 532 42 05-31 | Tire Rear 18 x 9.5-8              |
| 10           | 532 12 49-26 | Tube Rear (Service Item Only)     |
| 11           | 532 13 83-37 | Rim Asm. 8" Rear                  |
| --           | 532 14 43-34 | Sealant, Tire (10 oz. Tube)       |

**NOTE:** All component dimensions given in U.S. inches.  
 1 inch = 25.4 mm

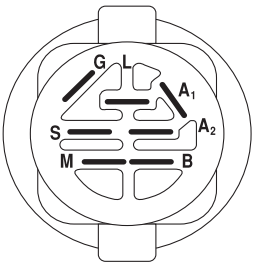
# TRACTOR - - MODEL NO. TS 138 (96041038300), PRODUCT NO. 960 41 03-83

## SCHEMATIC 38

SCH11

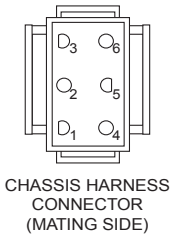


**NOTE**  
 YOUR TRACTOR IS EQUIPPED WITH A SPECIAL ALTERNATOR SYSTEM. THE LIGHTS ARE NOT CONNECTED TO THE BATTERY, BUT HAVE THEIR OWN ELECTRICAL SOURCE. BECAUSE OF THIS, THE BRIGHTNESS OF THE LIGHTS WILL CHANGE WITH ENGINE SPEED. AT IDLE THE LIGHTS WILL DIM. AS THE ENGINE IS SPEEDED UP, THE LIGHTS WILL BECOME THEIR BRIGHTEST.

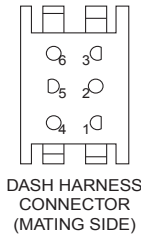


IGNITION SWITCH

| POSITION     | CIRCUIT    | "MAKE" |
|--------------|------------|--------|
| OFF          | M+G+A1     |        |
| RUN/OVERRIDE | B+A1       |        |
| RUN          | B+A1       | L+A2   |
| START        | B + S + A1 |        |

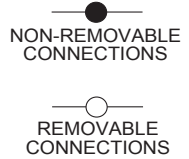


CHASSIS HARNESS CONNECTOR (MATING SIDE)

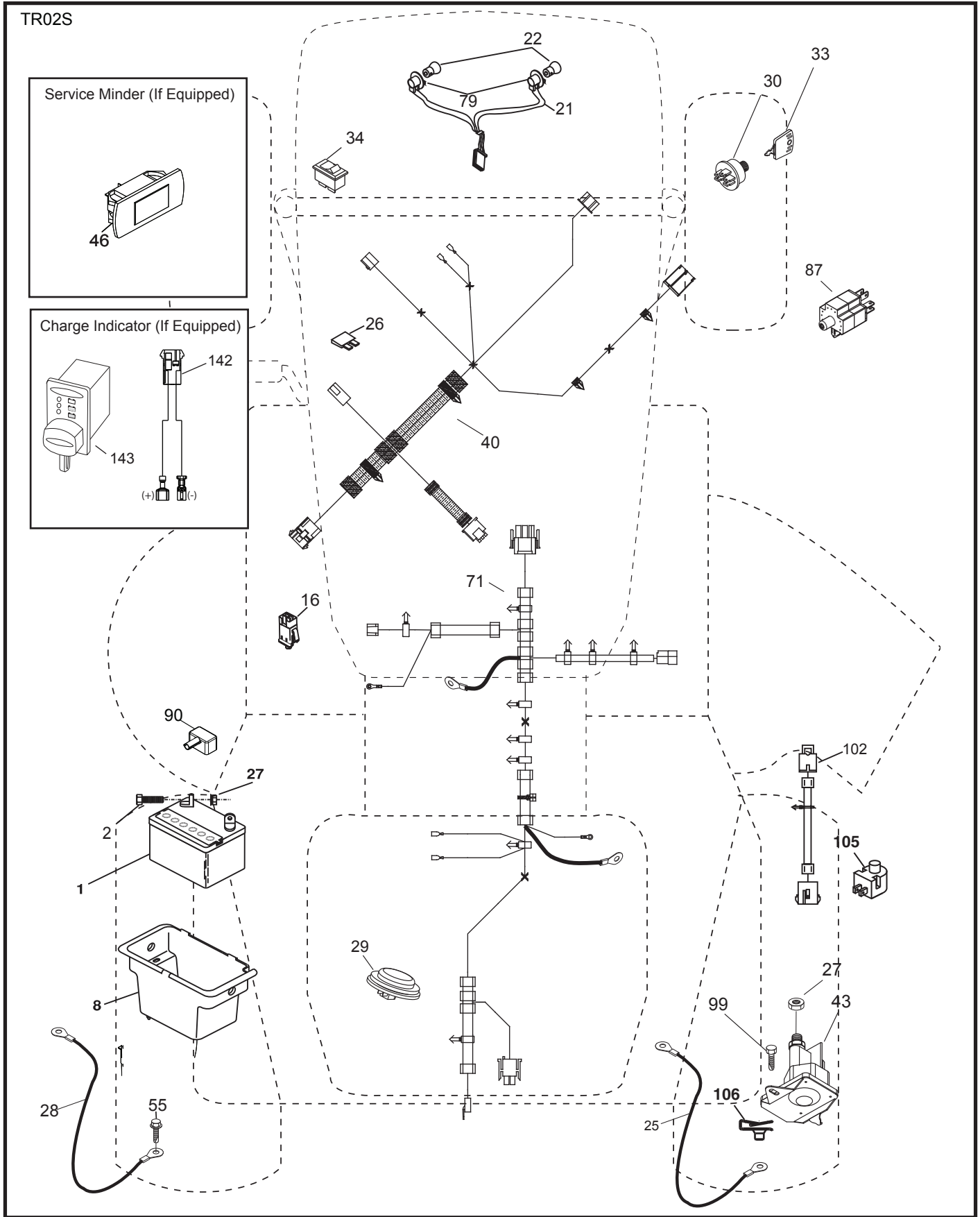


DASH HARNESS CONNECTOR (MATING SIDE)

WIRING INSULATED CLIPS  
 NOTE: IF WIRING INSULATED CLIPS WERE REMOVED FOR SERVICING OF UNIT, THEY SHOULD BE RE-INSTALLED TO PROPERLY SECURE YOUR WIRING.



**TRACTOR - - MODEL NO. TS 138 (96041038300), PRODUCT NO. 960 41 03-83**  
**ELECTRICAL 32**

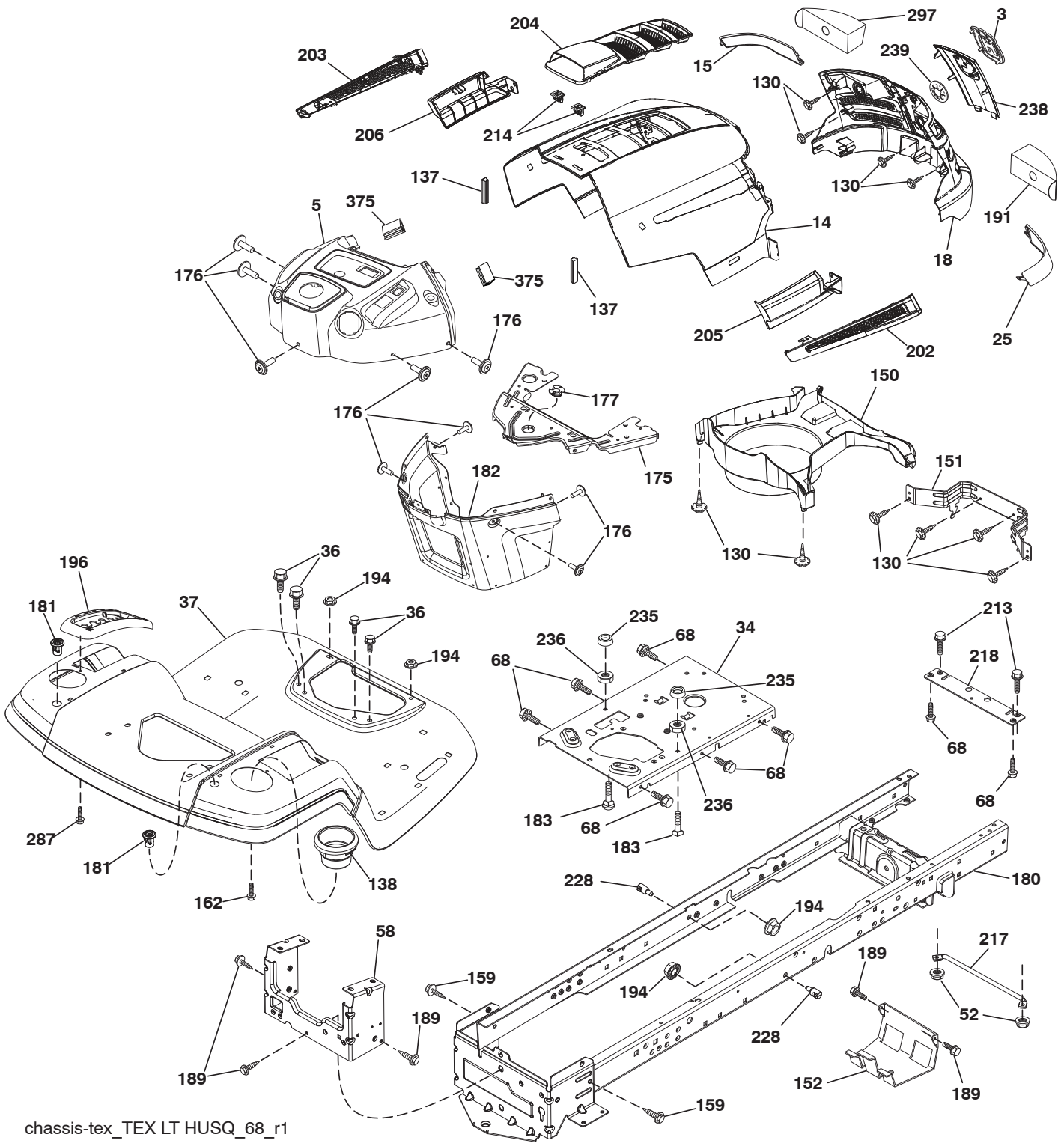


**TRACTOR - - MODEL NO. TS 138 (96041038300), PRODUCT NO. 960 41 03-83  
ELECTRICAL 32**

| <b>KEY NO.</b> | <b>PART NO.</b> | <b>DESCRIPTION</b>               |
|----------------|-----------------|----------------------------------|
| 1              | 532 16 34-65    | Battery                          |
| 2              | 874 76 04-12    | Bolt Hex Head 1/4-20 x 3/4       |
| 8              | 532 19 32-28    | Box Battery                      |
| 16             | 532 17 61-38    | Switch Interlock Push-In         |
| 21             | 532 40 02-52    | Harness Socket Light w/4152J     |
| 22             | 532 00 41-52    | Bulb Light                       |
| 25             | 581 49 80-01    | Cable Starter                    |
| 26             | 532 17 51-58    | Fuse                             |
| 27             | 873 51 04-00    | Nut Keps Hex 1/4-20 unc          |
| 28             | 532 42 16-86    | Cable, Ground                    |
| 29             | 532 40 15-45    | Switch, Seat                     |
| 30             | 532 19 33-50    | Switch, Ign.                     |
| 33             | 532 41 19-35    | Key/Chain                        |
| 34             | 532 11 07-12    | Switch Light/Reset               |
| 40             | 585 55 52-01    | Harness Ign. Dash                |
| 43             | 532 19 25-07    | Solenoid                         |
| 46             | 586 16 18-01    | Gauge Service minder             |
| 55             | 817 06 05-12    | Screw Thdrol. 5/16-18 x 3/4 TYTT |
| 71             | 501 13 37-01    | Harness Chassis                  |
| 79             | 532 17 52-42    | Socket Asm. Bulb Twistlock       |
| 87             | 532 19 78-02    | Switch Interlock Clutch Cable    |
| 90             | 532 43 53-95    | Cover Terminal                   |
| 99             | 817 67 04-12    | Screw 1/4-20 x 3/4               |
| 102            | 581 02 34-01    | Harness Pigtail                  |
| 105            | 532 40 75-68    | Switch Reverse                   |
| 106            | 532 17 48-14    | Palnut 1/4 Lugs                  |
| 142            | 583 85 78-01    | Charge Port Pigtail              |
| 143            | 532 44 80-59    | Charge Port                      |

**NOTE:** All component dimensions given in U.S. inches.  
1 inch = 25.4 mm

**TRACTOR - - MODEL NO. TS 138 (96041038300), PRODUCT NO. 960 41 03-83**  
**CHASSIS AND ENCLOSURES 39**



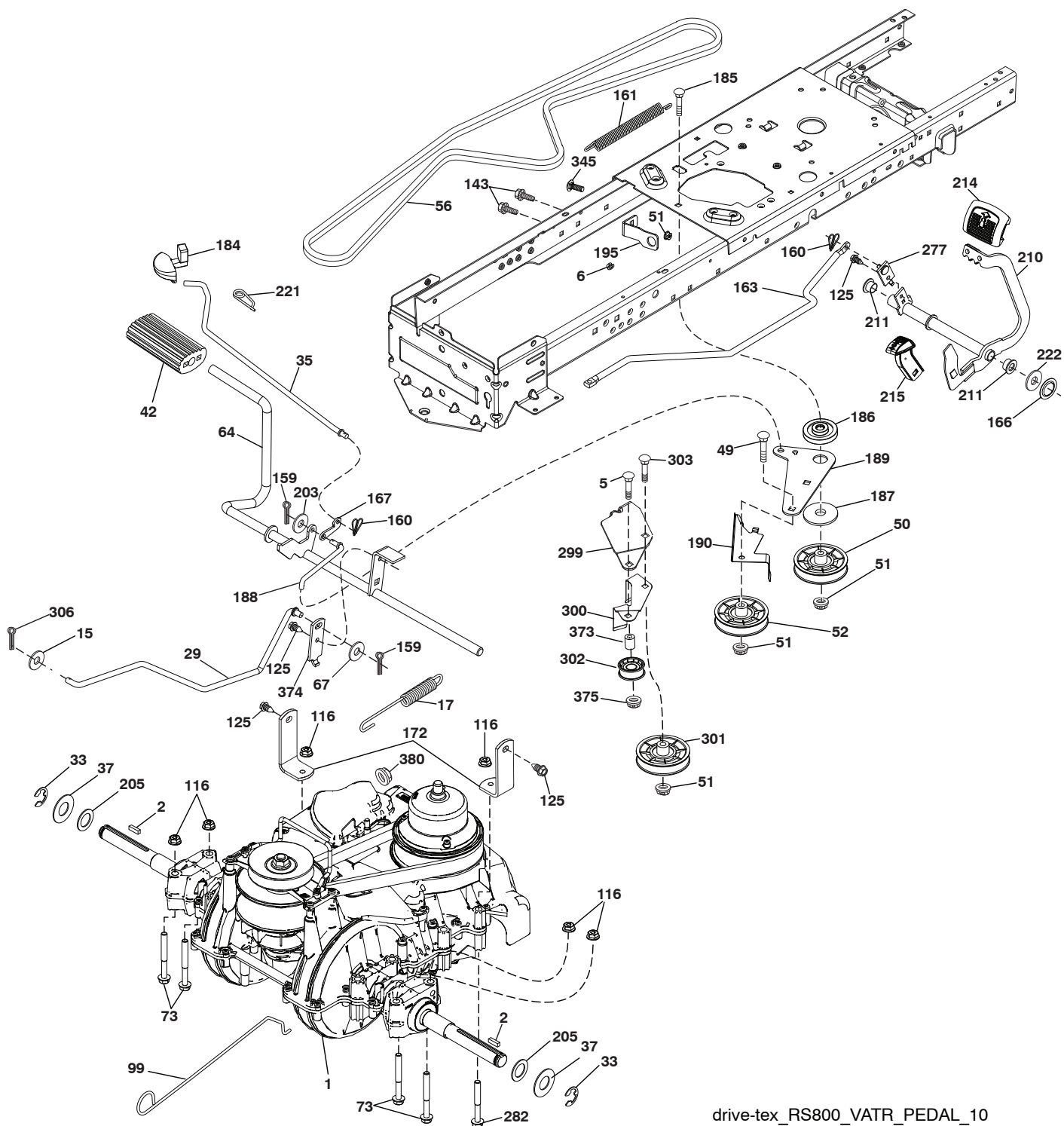
chassis-tex\_TEX LT HUSQ\_68\_r1

**TRACTOR - - MODEL NO. TS 138 (96041038300), PRODUCT NO. 960 41 03-83  
CHASSIS AND ENCLOSURES 39**

| KEY<br>NO. | PART<br>NO.  | DESCRIPTION                    | KEY<br>NO. | PART<br>NO.  | DESCRIPTION                    |
|------------|--------------|--------------------------------|------------|--------------|--------------------------------|
| 3          | 581 05 63-01 | Logo                           | 194        | 873 90 05-00 | Nut Lock Hex Flange 5/16-18    |
| 5          | 585 47 79-06 | Dash                           | 196        | 532 43 96-47 | Console Asm. Deck Lift         |
| 14         | 532 44 12-67 | Hood                           | 202        | 532 44 13-42 | Vent Side Hood RH              |
| 15         | 532 44 14-28 | Lens LH                        | 203        | 532 44 13-43 | Vent Side Hood LH              |
| 18         | 532 44 13-68 | Grille                         | 204        | 532 44 13-75 | Vent Top Hood                  |
| 25         | 532 44 14-27 | Lens RH                        | 205        | 532 44 13-44 | Skirt Side RH                  |
| 34         | 580 91 08-01 | Plate Engine                   | 206        | 532 44 13-45 | Skirt Side LH                  |
| 36         | 817 06 05-12 | Screw 5/16-18 x 3/4            | 213        | 874 76 05-12 | Bolt 5/16-18 unc x 3/4         |
| 37         | 532 44 12-06 | Fender                         | 214        | 532 19 91-45 | Clip Retainer                  |
| 52         | 873 68 05-00 | Nut Crown Lock 5/16-18         | 217        | 532 40 91-67 | Rod Pivot Hood                 |
| 58         | 532 41 22-80 | Drawbar Upper                  | 218        | 532 19 63-95 | X-Piece Hood Stop              |
| 68         | 817 49 05-08 | Screw Thdrol. 5/16-18 x 1/2    | 228        | 532 19 51-61 | Stud Fastener                  |
| 130        | 532 41 63-58 | Screw #10 x 0.750 BOS Thread   | 235        | 532 40 61-29 | Spacer Fender                  |
| 137        | 532 40 75-90 | Bumper Dash                    | 236        | 873 93 05-00 | Nut Lock 5/16-18 unc           |
| 138        | 532 43 97-47 | Cupholder                      | 238        | 532 44 13-74 | Trim                           |
| 150        | 532 40 66-62 | Air Duct                       | 239        | 532 40 48-83 | Clip Tinnerman                 |
| 151        | 532 40 78-07 | Bracket Pivot                  | 287        | 817 60 04-06 | Screw Hex WASHEAD 1/4-20 x 3/8 |
| 152        | 532 19 95-35 | Shield Browning                | 297        | 532 40 66-65 | Insert Reflective LH           |
| 159        | 817 00 06-12 | Screw 3/8 - 16 x 3/4           | 375        | 586 90 82-01 | Dash Clip-On Bumper            |
| 162        | 532 14 24-32 | Screw Hex Wsh. Hi-Lo 1/4 x 1/2 | --         | 532 40 09-44 | Bumper                         |
| 175        | 532 19 94-72 | Crossmember                    |            |              |                                |
| 176        | 532 40 07-76 | Screw 10-24 x 5/8              |            |              |                                |
| 177        | 532 19 52-28 | Bushing Steering               |            |              |                                |
| 180        | 532 41 50-63 | Chassis                        |            |              |                                |
| 181        | 532 43 97-46 | Bushing Mtg. Fender Cargo      |            |              |                                |
| 182        | 532 40 71-76 | Dash Lower                     |            |              |                                |
| 183        | 874 52 05-20 | Bolt 5/16-18 unc x 1-1/4       |            |              |                                |
| 189        | 817 00 05-12 | Screw 5/16-18 x 3/4            |            |              |                                |
| 191        | 532 41 65-01 | Insert Reflective RH           |            |              |                                |

**NOTE:** All component dimensions given in U.S. inches.  
1 inch = 25.4 mm

**TRACTOR - - MODEL NO. TS 138 (96041038300), PRODUCT NO. 960 41 03-83**  
**DRIVE** 40



drive-tex\_RS800\_VATR\_PEDAL\_10

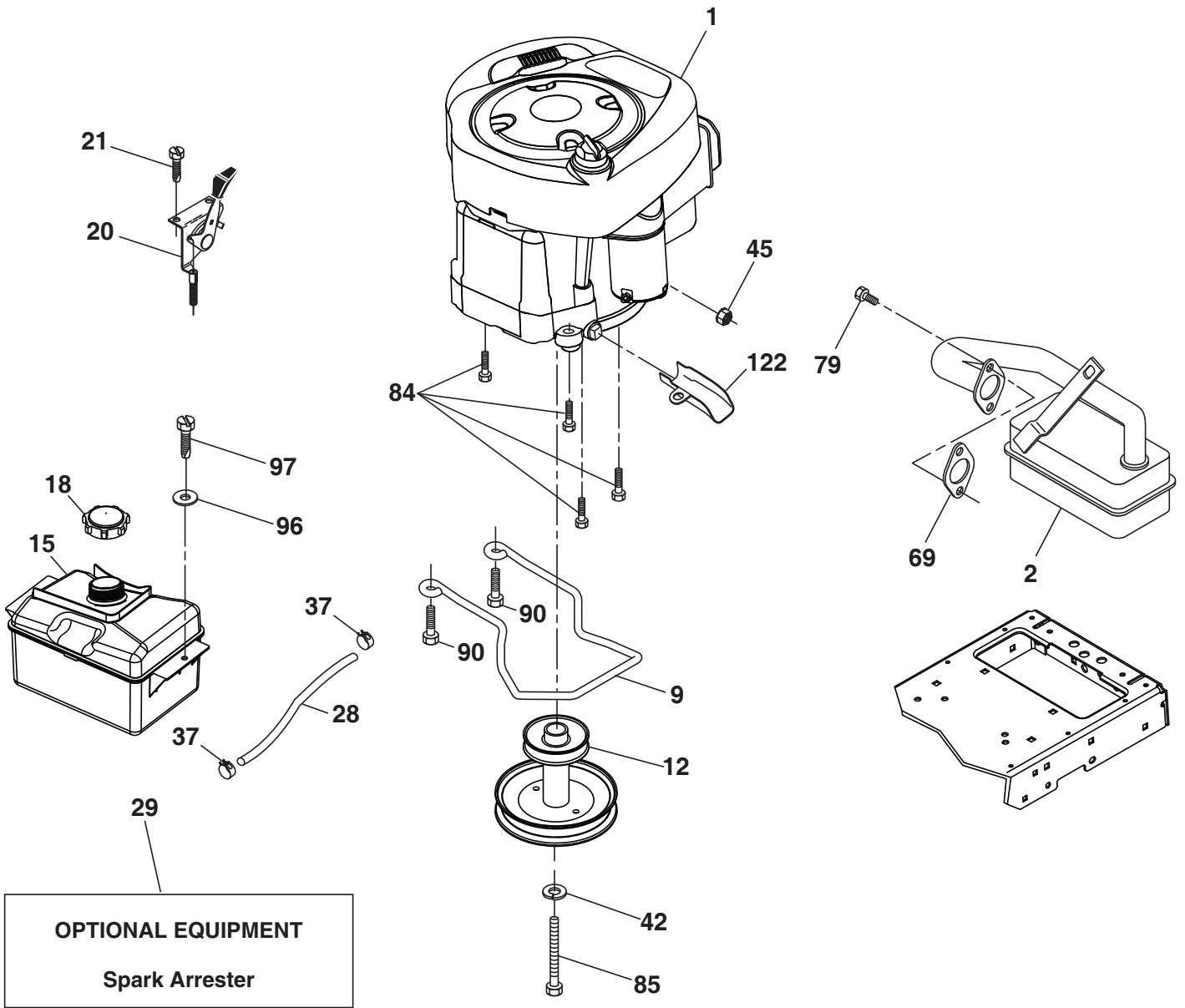


**TRACTOR - - MODEL NO. TS 138 (96041038300), PRODUCT NO. 960 41 03-83  
DRIVE **40****

| KEY NO. | PART NO.     | DESCRIPTION   | KEY NO. | PART NO.     | DESCRIPTION                    |
|---------|--------------|---|---------|--------------|--------------------------------|
| 1       | ---          | Transaxle, Variator SD Pedal (590277501) (Order parts from transaxle manufacturer.) | 186     | 532 19 43-21 | Spacer Retainer                |
| 2       | 532 12 35-83 | Key Square  | 187     | 819 13 32-10 | Washer 13/32 x 2 x 10 ga       |
| 5       | 874 76 06-36 | Bolt Hex HS 3/8-16 unc x 2-1/4  | 188     | 582 21 70-01 | Link Clutch Ground Drive, Long |
| 6       | 532 12 40-28 | Bushing Snap  | 189     | 532 19 43-17 | Bellcrank Ground Drive         |
| 15      | 819 13 13-16 | Washer 13/32 x 13/16 x 16 Ga.   | 190     | 532 19 43-18 | Keeper. Bellcrank              |
| 17      | 501 48 71-01 | Spring, Brake   | 195     | 581 50 46-01 | Bracket Brake                  |
| 29      | 584 82 31-01 | Rod, Brake  | 203     | 819 11 11-16 | Washer 11/32 x 11/16 x 16      |
| 33      | 812 00 00-01 | Ring E  | 205     | 532 12 17-48 | Washer 25/32 x 1-5/8 16 Ga.    |
| 35      | 532 40 10-31 | Rod, Brake, Park  | 210     | 532 44 82-70 | Weldment Pedal Variator        |
| 37      | 532 18 89-67 | Washer .793 x 1.637 x 060   | 214     | 532 42 12-63 | Pedal Forward                  |
| 42      | 532 12 48-72 | Cover, Foot Pedal   | 215     | 591 10 01-01 | Pad Pedal Reverse              |
| 49      | 872 11 06-14 | Bolt 3/8-16 unc   | 211     | 532 12 01-83 | Bearing Nylon                  |
| 50      | 532 19 43-27 | Idler Flat  | 221     | 532 40 31-87 | Retainer Spring                |
| 51      | 873 90 06-00 | Nut Lock  | 222     | 879 21 20-10 | Washer Flat                    |
| 52      | 532 19 43-26 | Idler V-Groove  | 277     | 532 44 85-00 | Subasm. Link Rocker Pedal      |
| 56      | 532 19 72-53 | V-Belt, Drive   | 282     | 874 49 05-48 | Bolt Hex 5/16-18x              |
| 64      | 532 44 83-53 | Subasm. Shaft Pedal Brake   | 299     | 532 41 56-83 | Bracket Mount                  |
| 67      | 582 58 01-01 | Washer Nylon 13/32 x 13/16 x .109   | 300     | 532 41 56-81 | Keeper Idler                   |
| 73      | 874 49 05-44 | Bolt Hex 5/16-18 x 3.75   | 301     | 532 41 56-80 | Pulley Idler Groove            |
| 99      | 532 43 59-35 | Rod Bypass  | 302     | 581 42 05-01 | Puller Idler Flat              |
| 116     | 873 90 05-00 | Nut Lock Hex Flange 5/16-18   | 303     | 872 11 06-18 | Bolt                           |
| 125     | 817 00 05-12 | Screw 5/16-18 x 3/4   | 306     | 876 02 04-16 | Pin Cotter                     |
| 143     | 817 49 05-08 | Screw Thdrol 5/16-18 x 1/2 TYTT   | 345     | 872 11 06-06 | Bolt RDHD                      |
| 159     | 876 02 04-12 | Pin Cotter 1/8 x 3/4  | 373     | 581 46 18-01 | Spacer Idler                   |
| 160     | 532 16 94-84 | Retainer Clip   | 374     | 581 47 52-01 | Arm Control Brake              |
| 161     | 532 10 57-09 | Spring, Return, Clutch  | 375     | 873 68 06-00 | Nut Crownlock 3/8-16 unc       |
| 163     | 587 84 79-01 | Rod Control Pedal   | 380     | 582 47 86-01 | Nut Flg Nylock 1/4-20 Gr G ZY  |
| 166     | 532 42 91-64 | Nut Push .625   |         |              |                                |
| 167     | 532 40 52-57 | Latch Brake Parking   |         |              |                                |
| 172     | 583 97 42-01 | Strap Torque Variator   |         |              |                                |
| 184     | 532 41 14-84 | Handle Park Brk.  |         |              |                                |
| 185     | 872 11 06-22 | Bolt 3/8-16 unc x 2-3/4   |         |              |                                |

**NOTE:** All component dimensions given in U.S. inches.  
1 inch = 25.4 mm

**TRACTOR - - MODEL NO. TS 138 (96041038300), PRODUCT NO. 960 41 03-83  
ENGINE 24**



engine-tex\_BS\_111

**TRACTOR - - MODEL NO. TS 138 (96041038300), PRODUCT NO. 960 41 03-83  
ENGINE 24**

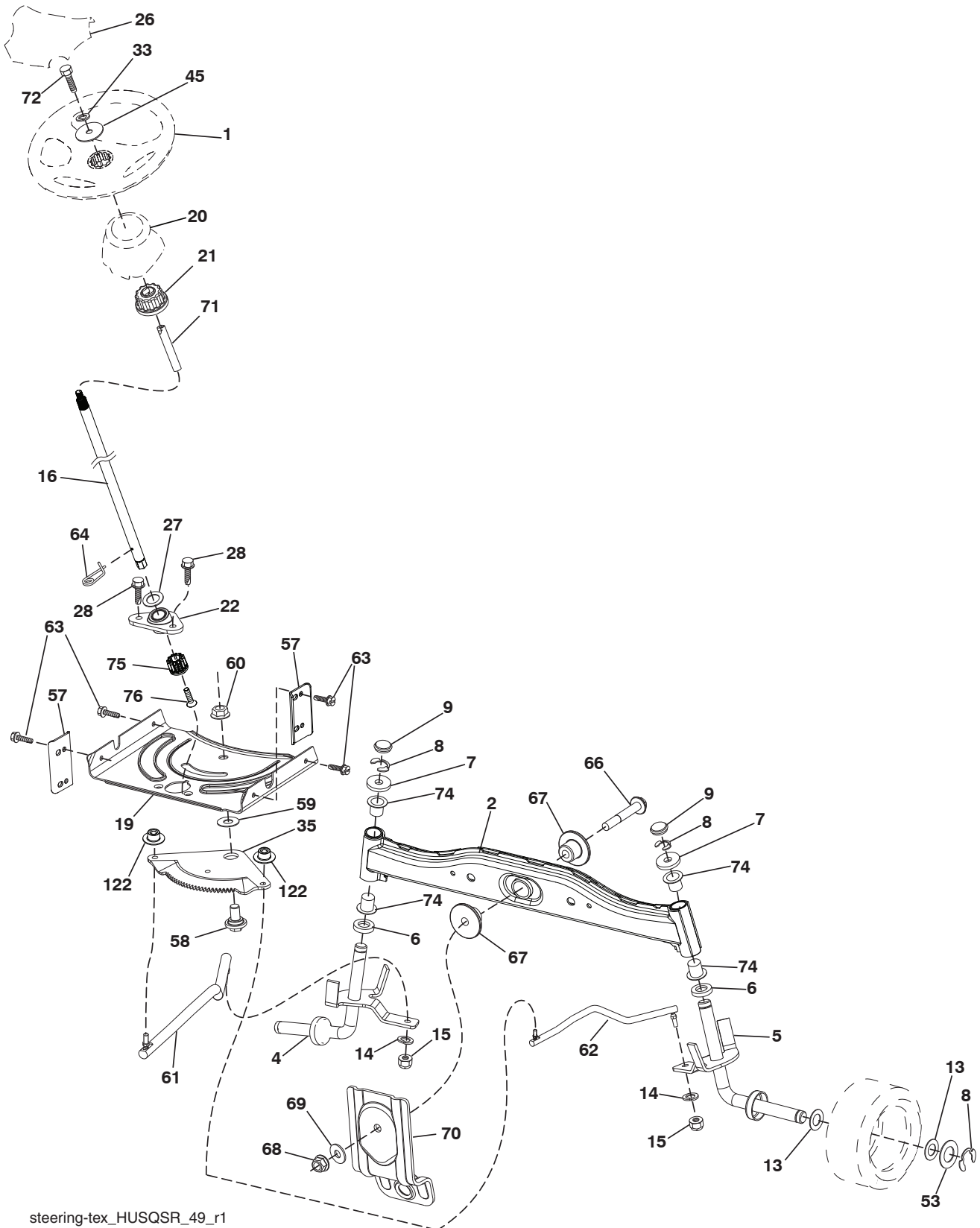
| KEY<br>NO. | PART<br>NO.  | DESCRIPTION  |
|------------|--------------|--|
| 1          | - - - - -    | Engine Briggs Model No. 31R977-0046-G1<br>(588640801) (Order parts from engine<br>manufacturer.) |
| 2          | 532 13 73-52 | Muffler  |
| 9          | 582 54 03-02 | Keeper Belt Engine   |
| 12         | 586 72 90-01 | Pulley Engine  |
| 15         | 581 28 99-01 | Tank Fuel  |
| 18         | 532 43 02-20 | Cap Asm  |
| 20         | 587 24 26-01 | Control Throttle   |
| 21         | 532 41 63-58 | Screw #10 x 0.750 BOS Thread   |
| 28         | 532 13 70-40 | Fuel Line  |
| 29         | 532 13 71-80 | Spark Arrester Kit   |
| 37         | 532 12 34-87 | Clamp Hose   |
| 42         | 810 04 07-00 | Washer Lock 7/16   |
| 45         | 873 51 04-00 | Nut Keps Hex 1/4-20 unc  |
| 69         | 532 16 52-91 | Gasket   |
| 79         | 532 19 23-34 | Screw 5/16-18 x 3/4  |
| 84         | 817 06 06-20 | Screw 3/8-16 x 1/4   |
| 85         | 532 17 39-37 | Bolt Hex 7/16-20 x Gr. 5-1.5   |
| 90         | 817 00 06-16 | Screw 3/8-16 x 1   |
| 96         | 819 09 14-16 | Washer 9/32 x 7/8 x 16 Ga.   |
| 97         | 817 67 04-12 | Screw 1/4-20 x 3/4   |
| 122        | 532 42 19-22 | Extension Drain Oil  |

**NOTE:** All component dimensions given in U.S. inches.  
1 inch = 25.4 mm

**Engine Power Rating Information**

The gross power rating for individual gas engine models is labeled in accordance with SAE (Society of Automotive Engineers) code J1940 (Small Engine Power & Torque Rating Procedure), and rating performance has been obtained and corrected in accordance with SAE J1995 (Revision 2002-05). Torque values are derived at 3060 RPM; horsepower values are derived at 3600 RPM. Actual gross engine power will be lower and is affected by, among other things, ambient operating conditions and engine-to-engine variability. Given both the wide array of products on which engines are placed and the variety of environmental issues applicable to operating the equipment, the gas engine will not develop the rated gross power when used in a given piece of power equipment (actual "on-site" or net power). This difference is due to a variety of factors including, but not limited to, accessories (air cleaner, exhaust, charging, cooling, carburetor, fuel pump, etc.), application limitations, ambient operating conditions (temperature, humidity, altitude), and engine-to-engine variability. Due to manufacturing and capacity limitations, Briggs & Stratton may substitute an engine of higher rated power for this Series engine.

TRACTOR - - MODEL NO. TS 138 (96041038300), PRODUCT NO. 960 41 03-83  
STEERING ASSEMBLY **41**



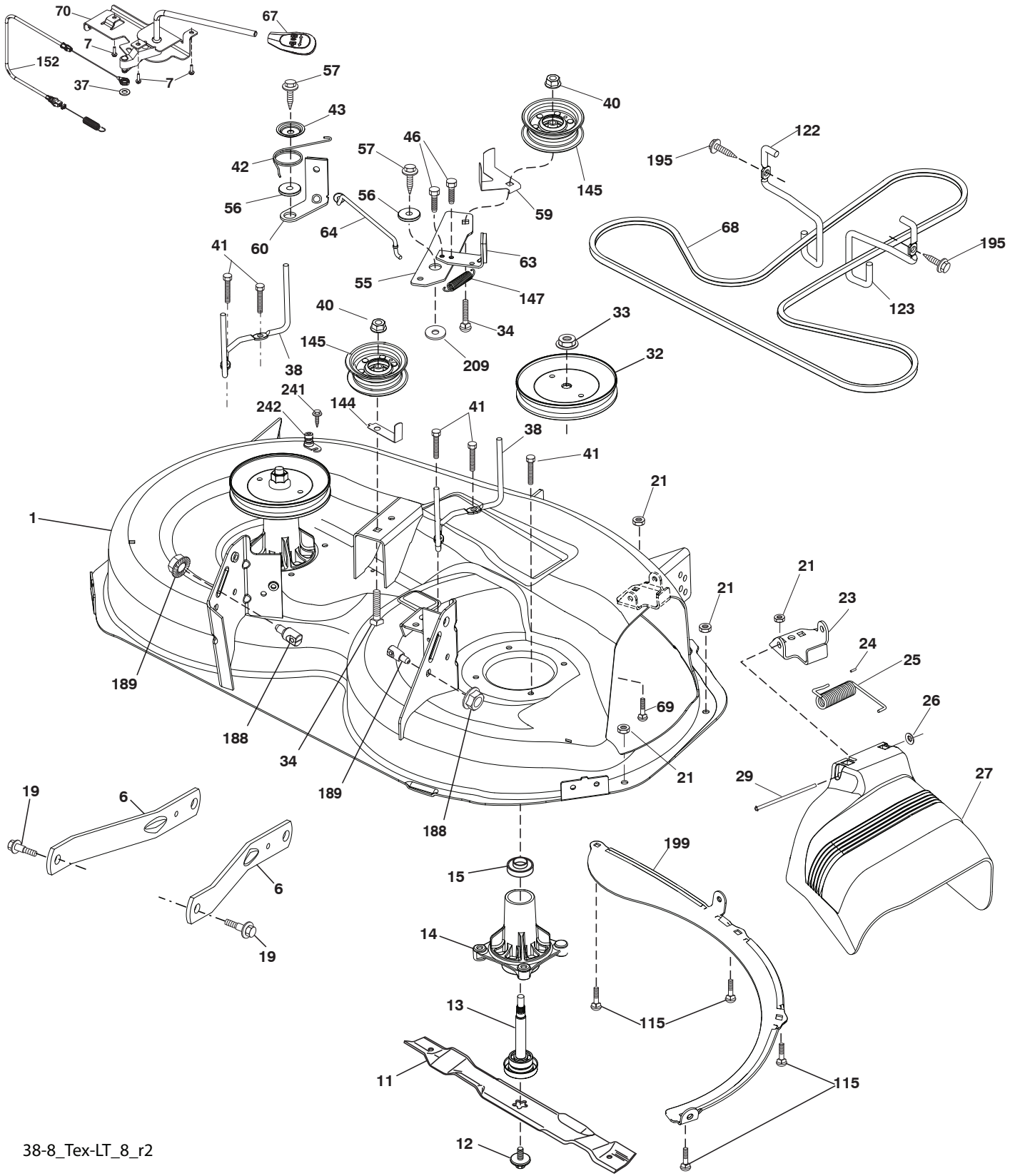
steering-tex\_HUSQSR\_49\_r1

**TRACTOR - - MODEL NO. TS 138 (96041038300), PRODUCT NO. 960 41 03-83  
STEERING ASSEMBLY 41**

| <b>KEY NO.</b> | <b>PART NO.</b> | <b>DESCRIPTION</b>                  |
|----------------|-----------------|-------------------------------------|
| 1              | 532 43 99-97    | Wheel, Steering Husq SR             |
| 2              | 532 41 81-68    | Axle Asm., Front                    |
| 4              | 532 40 30-87    | Spindle Asm., LH                    |
| 5              | 532 40 30-88    | Spindle Asm., RH                    |
| 6              | 532 12 49-31    | Bearing, Race Thrust Hardened       |
| 7              | 532 12 17-48    | Washer 25/32 x 1-5/8 x 16 Ga.       |
| 8              | 812 00 00-29    | Ring, Clip #T5304-75                |
| 9              | 532 12 12-32    | Cap, Spindle                        |
| 13             | 532 12 17-49    | Washer 25/32 x 1-1/4 x 16 Ga.       |
| 14             | 810 04 06-00    | Washer, Lock Hvy. Hlcl. Spr. 3/8    |
| 15             | 873 54 06-00    | Nut, Crown Lock 3/8-24 unf          |
| 16             | 585 86 92-02    | Steering Shaft                      |
| 19             | 532 19 47-29    | Plate Steering                      |
| 20             | 532 44 14-25    | Boot, Steering                      |
| 21             | 532 18 67-37    | Adapter, Wheel Steering             |
| 22             | 585 02 98-02    | Bearing                             |
| 26             | 532 43 97-43    | Insert, Wheel Steering Husq SR      |
| 27             | 819 21 16-16    | Washer 21 x 32 x 1 x 16 Ga.         |
| 28             | 817 00 06-12    | Screw 3/8-16 x 3/4                  |
| 33             | 810 04 05-00    | Washer Lock 5/16                    |
| 35             | 532 19 47-32    | Gear, Sector Plate                  |
| 45             | 819 11 38-12    | Washer 11/32 x 3/8 x 12 Ga.         |
| 53             | 532 18 89-67    | Washer Hardened .793 x 1.637 x .060 |
| 57             | 532 40 74-65    | Bracket Upstop                      |
| 58             | 532 19 47-47    | Bolt Shoulder Sector Pivot CFM      |
| 59             | 532 19 47-48    | Washer Thrust Sector Steering       |
| 60             | 873 97 10-00    | Nut Flange Lock 5/8-11              |
| 61             | 532 19 47-40    | Draglink, LH                        |
| 62             | 532 19 47-41    | Draglink, RH                        |
| 63             | 817 00 05-12    | Screw 5/16-18 x 3/4                 |
| 64             | 532 19 98-49    | Retainer Clip Spring Steering       |
| 66             | 871 02 07-48    | Bolt Hex Fghd. 7/16-14 x 3 Serr.    |
| 67             | 532 19 47-37    | Bushing PM Front Axle               |
| 68             | 873 90 07-00    | Nut Lock Flange 7/16-14 Gr. 5       |
| 69             | 532 19 91-62    | Washer 1.5 x .505 x .118            |
| 70             | 585 33 88-01    | Bracket Deck Susp. Front            |
| 71             | 532 19 07-52    | Shaft Extension Steering            |
| 72             | 532 42 89-82    | Bolt Fin Hx 5/16-18 x 4 w/Patch     |
| 74             | 532 12 49-37    | Bearing Col. STRG                   |
| 75             | 580 68 37-01    | Pinion                              |
| 76             | 580 68 36-01    | Screw Head Sock                     |
| 122            | 532 44 49-62    | Cap Gear Sector                     |

**NOTE:** All component dimensions given in U.S. inches.  
1 inch = 25.4 mm

**TRACTOR - - MODEL NO. TS 138 (96041038300), PRODUCT NO. 960 41 03-83**  
**MOWER DECK 44**



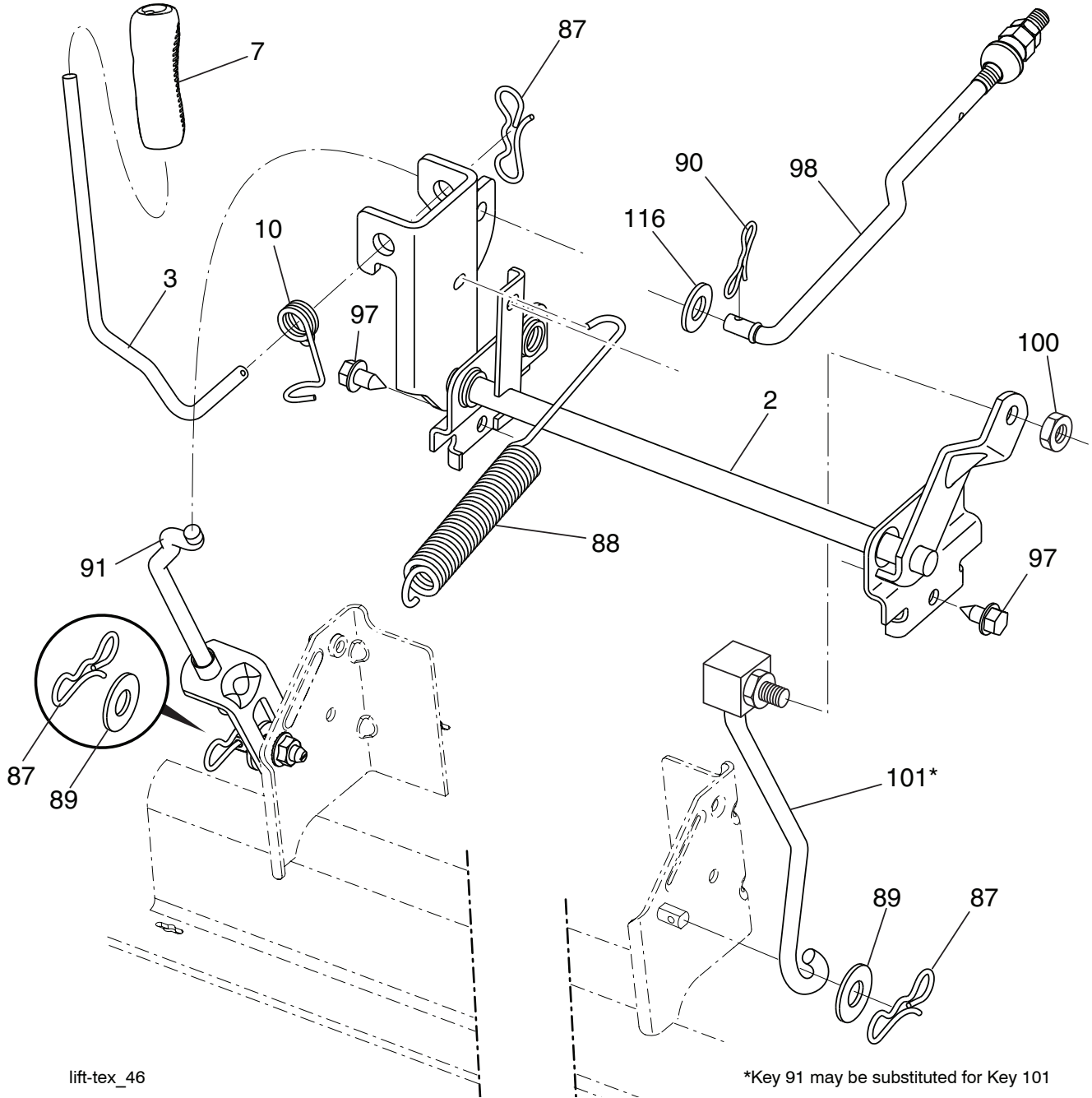
38-8\_Tex-LT\_8\_r2

**TRACTOR - - MODEL NO. TS 138 (96041038300), PRODUCT NO. 960 41 03-83  
MOWER DECK 44**

| <b>KEY PART<br/>NO. NO.</b> | <b>DESCRIPTION</b> | <b>KEY PART<br/>NO. NO.</b> | <b>DESCRIPTION</b> |
|-----------------------------|--------------------|-----------------------------|--------------------|
| 1                           | 587 77 18-02       | 67                          | 532 40 30-12       |
| 6                           | 532 19 51-86       | 68                          | 532 40 83-81       |
| 7                           | 532 41 63-58       | 69                          | 872 14 05-05       |
| 11                          | 581 11 63-01       | 70                          | 532 40 12-46       |
| 12                          | 584 30 93-01       | 115                         | 872 11 05-05       |
| 13                          | 587 25 65-01       | 122                         | 532 19 72-58       |
| 14                          | 532 18 72-81       | 123                         | 532 19 72-59       |
| 15                          | 585 32 39-01       | 144                         | 532 19 34-14       |
| 19                          | 532 19 65-39       | 145                         | 532 19 31-97       |
| 21                          | 873 68 05-00       | 147                         | 532 40 18-72       |
| 23                          | 532 19 25-57       | 152                         | 532 43 51-11       |
| 24                          | 532 10 53-04       | 188                         | 532 19 51-61       |
| 25                          | 532 19 70-26       | 189                         | 873 90 05-00       |
| 26                          | 532 11 04-52       | 195                         | 817 00 06-12       |
| 27                          | 532 19 39-68       | 199                         | 532 40 00-95       |
| 29                          | 532 13 14-91       | 209                         | 819 13 32-10       |
| 32                          | 532 19 97-89       | 241                         | 532 15 29-27       |
| 33                          | 532 40 02-34       | 242                         | 532 41 55-98       |
| 34                          | 872 11 06-12       | --                          | 587 25 33-01       |
| 37                          | 819 13 13-16       |                             |                    |
| 38                          | 532 19 95-41       |                             |                    |
| 40                          | 873 90 06-00       |                             |                    |
| 41                          | 584 95 39-01       |                             |                    |
| 42                          | 532 19 84-10       | --                          | 532 43 44-67       |
| 43                          | 532 19 72-56       |                             |                    |
| 46                          | 532 13 77-29       |                             |                    |
| 55                          | 532 19 72-49       |                             |                    |
| 56                          | 532 19 90-92       |                             |                    |
| 57                          | 817 00 06-16       |                             |                    |
| 59                          | 532 14 10-43       |                             |                    |
| 60                          | 532 19 94-71       |                             |                    |
| 63                          | 532 19 94-70       |                             |                    |
| 64                          | 532 19 97-90       |                             |                    |

**NOTE:** All component dimensions given in U.S. inches.  
1 inch = 25.4 mm

**TRACTOR - - MODEL NO. TS 138 (96041038300), PRODUCT NO. 960 41 03-83**  
**MOWER LIFT 45**



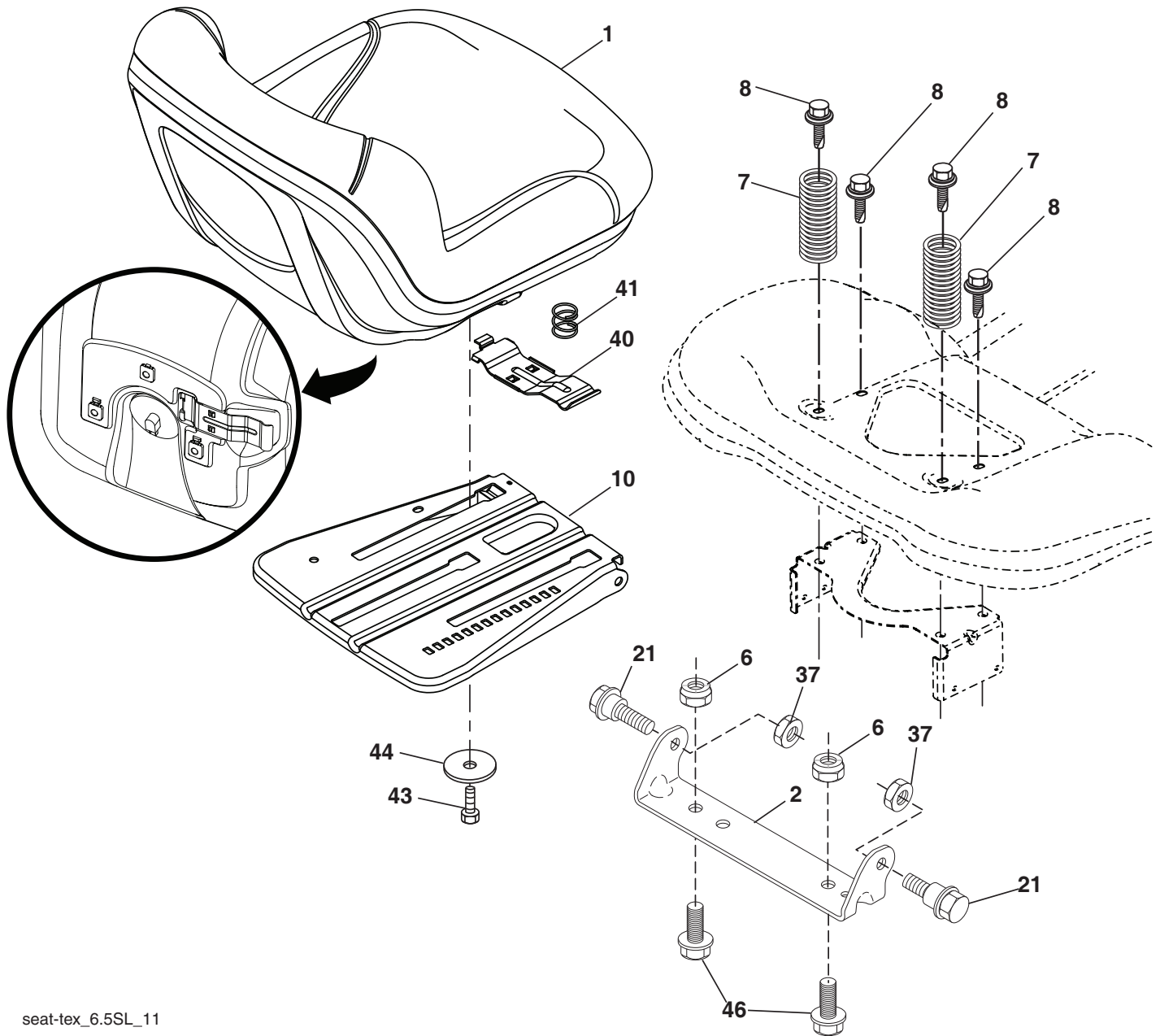
| KEY NO. | PART NO.     | DESCRIPTION                  |
|---------|--------------|------------------------------|
| 2       | 532 42 20-27 | Shaft Asm., Lift             |
| 3       | 532 19 52-31 | Lever Asm., Lift RH          |
| 7       | 580 96 23-01 | Grip, Lever                  |
| 10      | 532 19 63-14 | Spring Torsion               |
| 87      | 532 19 42-09 | Pin Cotter 7/16 Bow Tie Lock |
| 88      | 532 41-07-10 | Spring Lift Assist           |
| 89      | 819 19 19-12 | Washer Clear Zinc            |
| 90      | 532 19 42-08 | Pin Cotter 5/16 Bow Tie Lock |
| 91      | 532 19 51-81 | Link Lift Susp. Mower Rear   |

| KEY NO. | PART NO.     | DESCRIPTION                       |
|---------|--------------|-----------------------------------|
| 97      | 817 00 06-12 | Screw 3/8-16 x .75 Smgml. Tap/R.Z |
| 98      | 532 19 52-70 | Link Lift Susp. Front Mower       |
| 100     | 873 93 06-00 | Nut Centerlock 3/8-16 unc         |
| 101     | 532 40 70-03 | Link Asm. Lift Fixed              |
| 116     | 819 15 15-16 | Washer 15/32 X 15/16 X 16 Ga.     |

**NOTE:** All component dimensions given in U.S. inches.  
 1 inch = 25.4 mm



**TRACTOR - - MODEL NO. TS 138 (96041038300), PRODUCT NO. 960 41 03-83  
SEAT ASSEMBLY 42**



seat-tex\_6.5SL\_11

| KEY NO. | PART NO.     | DESCRIPTION                    |
|---------|--------------|--------------------------------|
| 1       | 532 43 98-19 | Seat                           |
| 2       | 532 18 01-66 | Bracket Pivot Fender           |
| 6       | 873 80 06-00 | Nut, Lock w/Ins. 3/8-18 unc    |
| 7       | 587 61 33-01 | Spring, Seat Cprsn.            |
| 8       | 532 17 18-77 | Bolt 5/16-18 unc x 3/4 w/Sems. |
| 10      | 532 19 69-77 | Pan, Seat                      |
| 21      | 587 90 78-01 | Bolt, Shoulder 5/16-18 x 5/8   |
| 37      | 873 80 05-00 | Nut, Lock 5/16-18 unc          |
| 40      | 532 19 76-61 | Handle                         |

| KEY NO. | PART NO.     | DESCRIPTION                   |
|---------|--------------|-------------------------------|
| 41      | 532 19 82-00 | Spring                        |
| 43      | 874 76 06-12 | Bolt 3/8-16 unc x 3/4         |
| 44      | 819 13 38-12 | Washer 13/32 x 2-3/8 x 12 Ga. |
| 46      | 588 09 04-01 | Bolt 3/8-16 x 1, 1.25         |

**NOTE:** All component dimensions given in U.S. inches.  
1 inch = 25.4 mm

