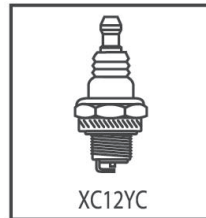
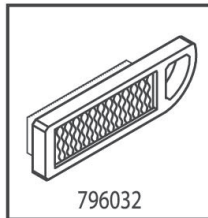


# ILLUSTRATED PARTS LIST

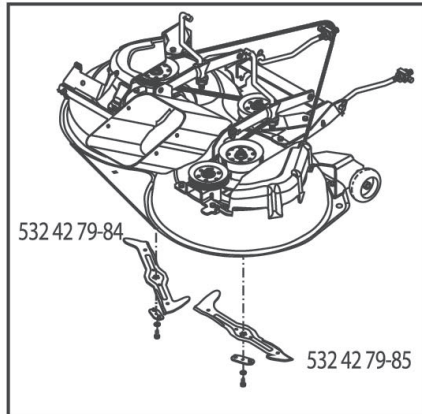
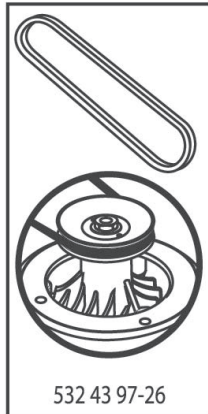
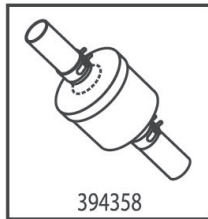
**MODEL NO. 96051013900**

**CUSTOMER CATALOG NO. TC 38**

**PRODUCT NO. 960 51 01-39**

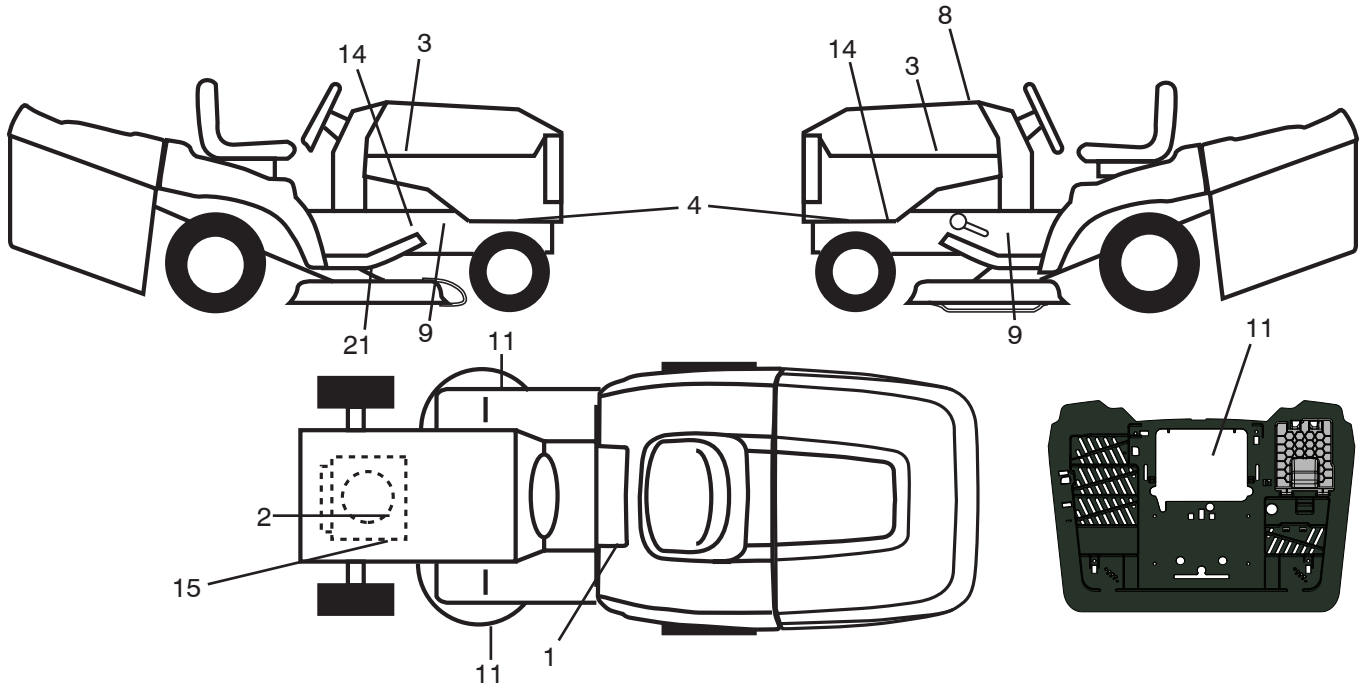


**47**



587027401

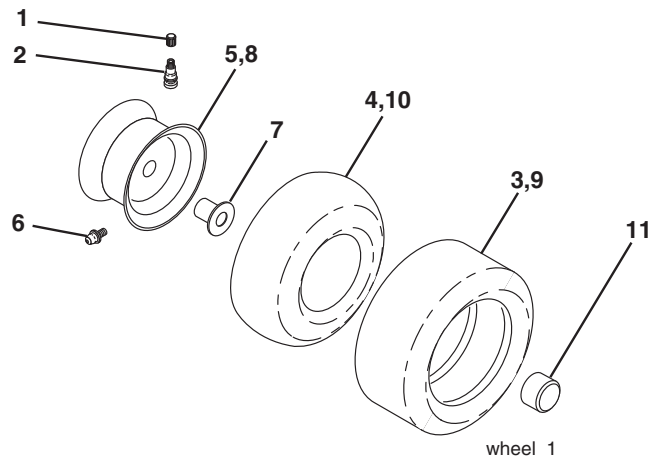
**TRACTOR - - MODEL NO. TC 38 (96051013900), PRODUCT NO. 960 51 01-39**  
**DECALS 27**



KEY NO.	PART NO.	DESCRIPTION
1	581 57 83-01	Decal, Warning
2	581 57 97-01	Decal, Warning Eng. Sym.
3	581 62 73-01	Decal, Hood RH/LH
4	588 97 78-01	Decal, Side Panel
8	587 02 74-01	Decal, Replacement
9	581 57 98-01	Decal, Warning
11	581 57 91-01	Decal, Mower Cut Finger Symbol
14	581 57 96-01	Decal, Chassis Hot Muffler
15	585 56 13-01	Decal, Engine HP

KEY NO.	PART NO.	DESCRIPTION
21	532 44 11-89	Decal, Belt Sch CRD
--	532 44 27-44	Decal, Battery
--	532 44 18-02	Pad Footrest RH
--	532 44 14-09	Pad Footrest LH
--	588 82 14-01	Decal, Inst. Mulch Plug
--	588 90 08-40	Manual Operator's (Euro)
--	588 90 08-50	Manual Operator's (Scan)
--	588 90 08-20	Manual Operator's (E-Bloc)
--	588 90 08-30	Manual Operator's (Baltic)

**WHEELS & TIRES**



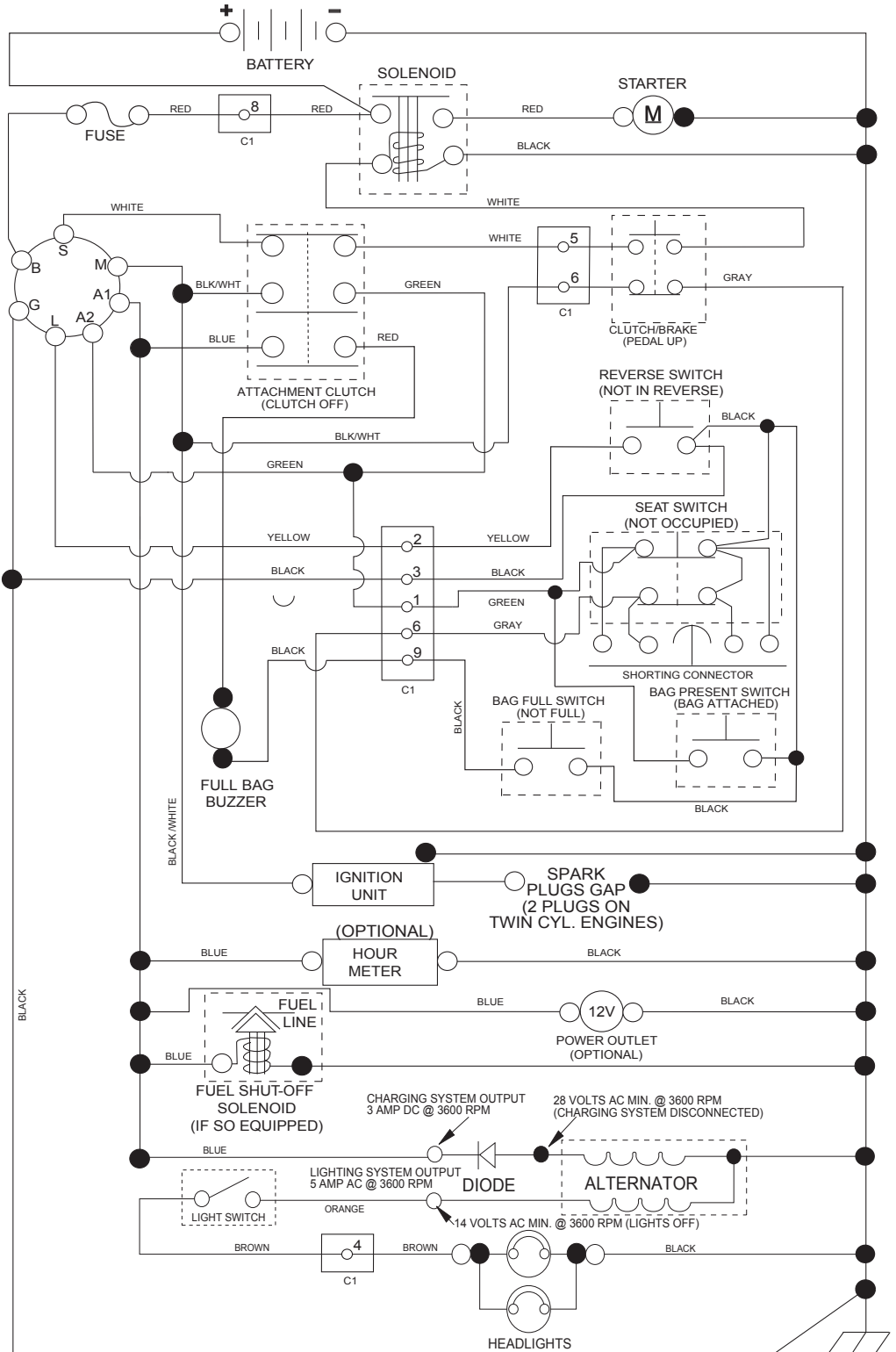
KEY NO.	PART NO.	DESCRIPTION
1	532 05 91-92	Cap Valve Tire
2	532 06 51-39	Stem Valve
3	532 10 62-22	Tire Front 15 x 6-6
4	532 05 99-04	Tube Inner Front #35060
5	532 13 83-36	Rim Asm 6" Front
6	532 12 49-57	Fitting Grease
7	532 12 49-59	Bearing Flange
8	532 13 83-37	Rim Asm 8" Rear
9	532 12 46-35	Tire Rear 18 x 8.5-8
10	532 12 49-26	Tube Rear 8.5 x 8
11	532 17 50-39	Cap Axle
--	532 14 43-34	Sealant, Tire (10 oz. Tube)

NOTE: All component dimensions given in U.S. inches  
 1 inch = 25.4 mm

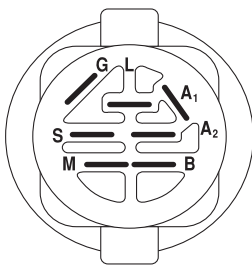
# TRACTOR - - MODEL NO. TC 38 (96051013900), PRODUCT NO. 960 51 01-39

## SCHEMATIC **38**

SCH17



**NOTE**  
YOUR TRACTOR IS EQUIPPED WITH A SPECIAL ALTERNATOR SYSTEM. THE LIGHTS ARE NOT CONNECTED TO THE BATTERY, BUT HAVE THEIR OWN ELECTRICAL SOURCE. BECAUSE OF THIS, THE BRIGHTNESS OF THE LIGHTS WILL CHANGE WITH ENGINE SPEED. AT IDLE THE LIGHTS WILL DIM. AS THE ENGINE SPEED IS INCREASED, THE LIGHTS WILL BECOME THEIR BRIGHTEST.

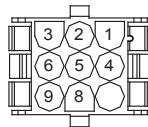


IGNITION SWITCH

POSITION	CIRCUIT "MAKE"
OFF	M+G+A1
RUN/OVERRIDE	B+A1
RUN	B+A1 L+A2
START	B + S + A1

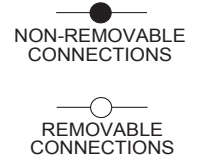


CHASSIS HARNESS CONNECTOR (C1) (MATING SIDE)

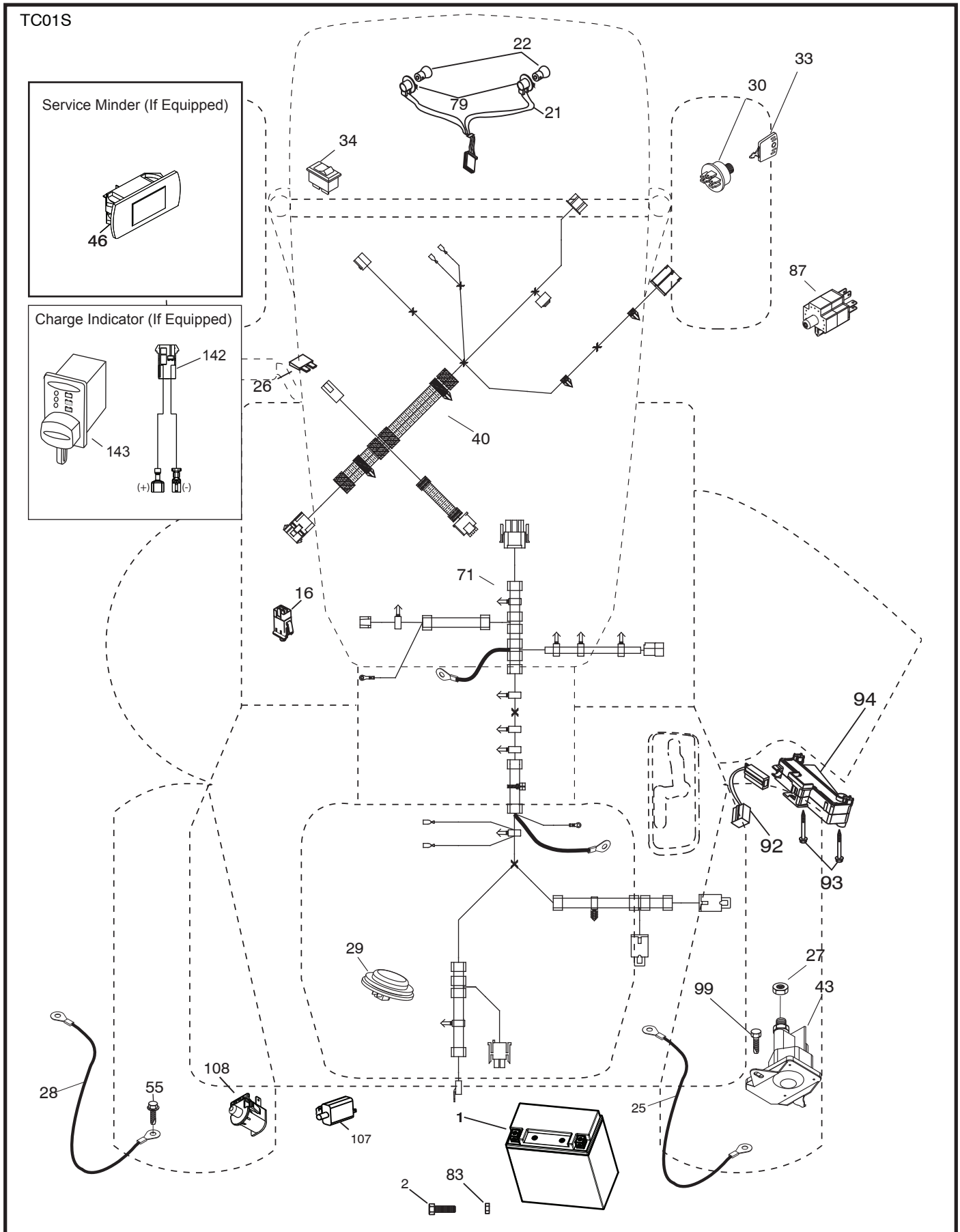


DASH HARNESS CONNECTOR (C1) (MATING SIDE)

WIRING INSULATED CLIPS  
NOTE: IF WIRING INSULATED CLIPS WERE REMOVED FOR SERVICING OF UNIT, THEY SHOULD BE RE-INSTALLED TO PROPERLY SECURE YOUR WIRING.



TRACTOR - - MODEL NO. TC 38 (96051013900), PRODUCT NO. 960 51 01-39  
ELECTRICAL **32**

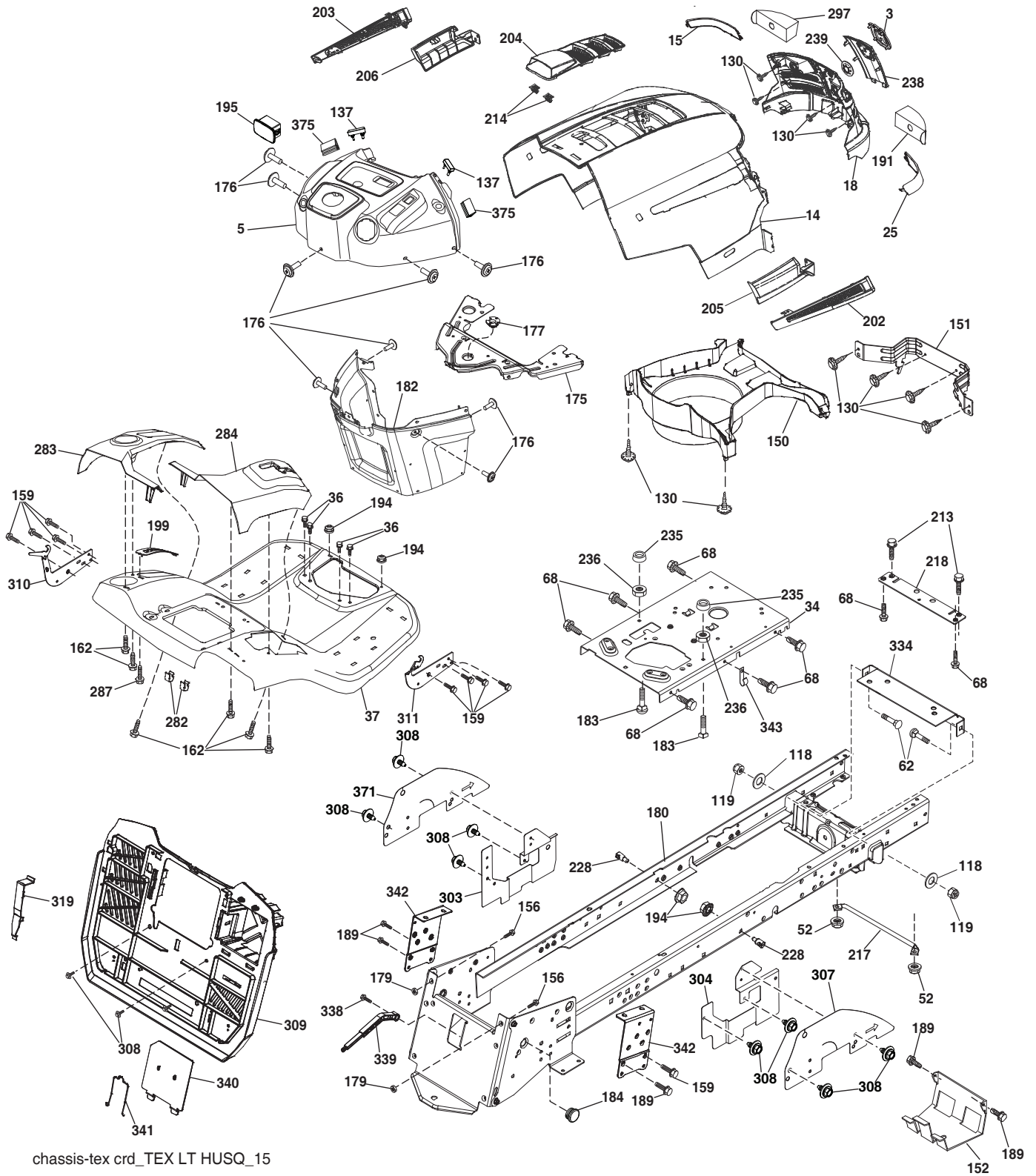


**TRACTOR - - MODEL NO. TC 38 (96051013900), PRODUCT NO. 960 51 01-39**  
**ELECTRICAL 32**

<b>KEY NO.</b>	<b>PART NO.</b>	<b>DESCRIPTION</b>
1	532 43 71-57	Battery
2	532 44 09-23	Screw Hex Hd Cap M6 x 1.12mm
16	532 17 61-38	Switch Interlock
21	532 40 02-52	Harness Asm Light w/4152J
22	532 00 41-52	Bulb Light #1156
25	581 48 98-01	Cable Battery Red
26	532 17 51-58	Fuse
27	873 51 04-00	Nut Keps Hex 1/4-20 unc
28	581 48 98-02	Cable Ground Black
29	532 40 15-45	Switch Seat
30	532 19 33-50	Switch Ignition
33	532 41 19-35	Key/Chain
34	532 11 07-12	Switch Light
40	585 84 99-01	Harness Ignition Dash
43	532 19 25-07	Solenoid
55	817 06 05-12	Screw 5/16-18 x 3/4
71	585 84 97-01	Harness Chassis
79	532 17 52-42	Socket Asm.
83	532 43 67-74	Nut Square M6 x 1 x 8.5 x 11mm
87	532 42 10-60	Switch Railmount
92	532 19 66-15	Harness Pigtail
93	532 19 25-40	Screw Plastic 10-14 x 2.0
94	532 19 18-34	Module Reverse ROS
99	817 06 05-12	Screw 5/16-18 x 3/4
107	532 18 03-79	Switch Full Bagger Indicator
108	532 42 10-62	Switch Snapmount
142	583 85 78-01	Charge Port Pigtail
143	532 44 80-59	Charge Port

**NOTE:** All component dimensions given in U.S. inches  
1 inch = 25.4 mm

**TRACTOR - - MODEL NO. TC 38 (96051013900), PRODUCT NO. 960 51 01-39**  
**CHASSIS AND ENCLOSURES 39**



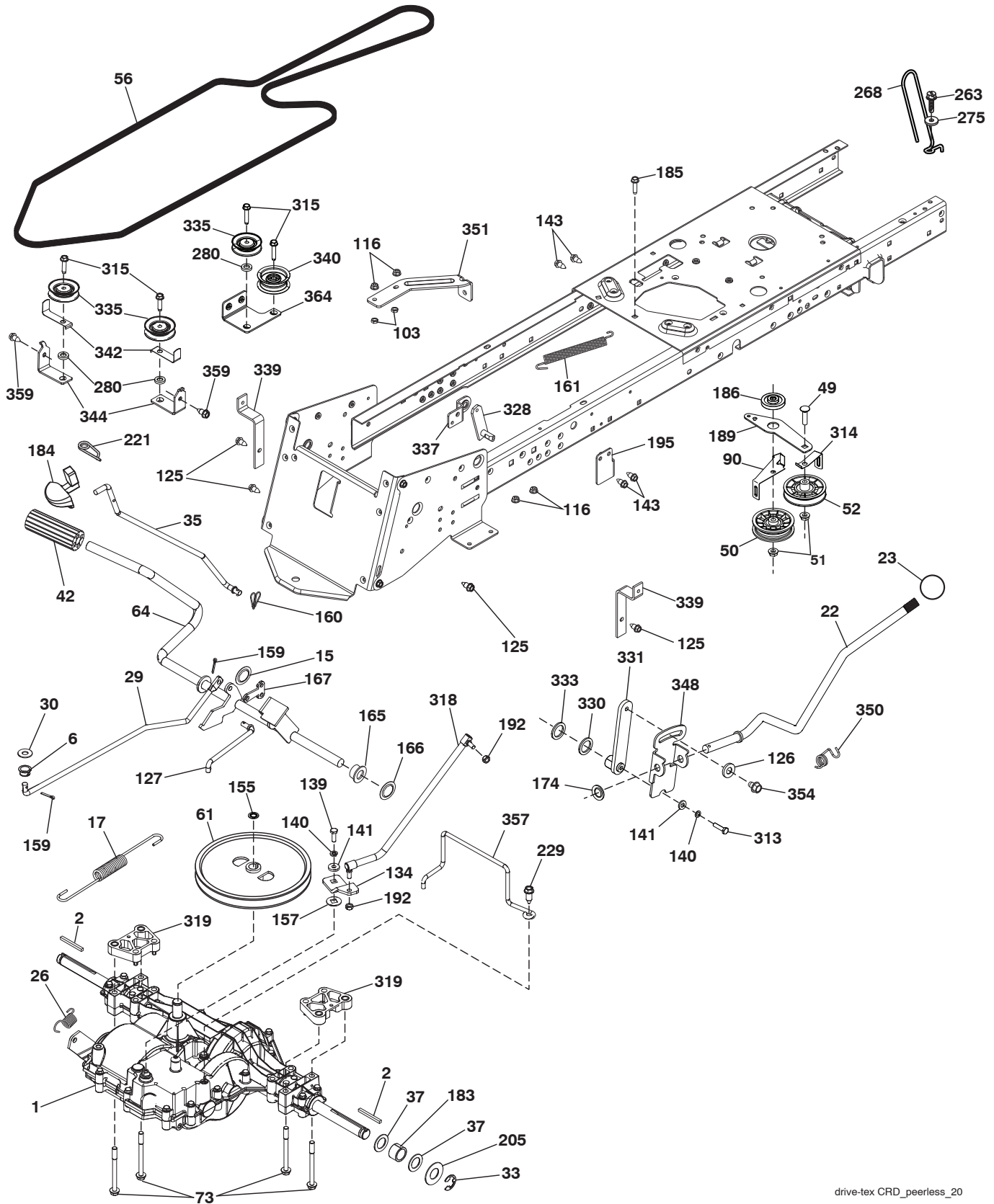
chassis-tex crd\_TEX LT HUSQ\_15

**TRACTOR - - MODEL NO. TC 38 (96051013900), PRODUCT NO. 960 51 01-39  
CHASSIS AND ENCLOSURES 39**

<b>KEY NO.</b>	<b>PART NO.</b>	<b>DESCRIPTION</b>	<b>KEY NO.</b>	<b>PART NO.</b>	<b>DESCRIPTION</b>
3	581 05 63-01	Logo	206	532 44 13-45	Skirt Side LH
5	585 52 98-01	Dash	213	874 76 05-12	Bolt Hex HD 5/16-18 unc 3/4
14	532 44 12-67	Hood	214	532 19 91-45	Clip Retainer
15	532 44 14-28	Lens LH	217	532 40 91-67	Rod Pivot Hood
18	532 44 13-68	Grille	218	532 19 63-95	X-Piece Hood Stop
25	532 44 14-27	Lens RH	228	532 19 51-61	Stud Fastener
34	580 91 09-01	Plate Engine	235	532 40 61-29	Spacer Fender
36	817 06 05-12	Screw 5/16-18 x 3/4	236	873 93 05 00	Nut Center Lock 5/16-18 unc
37	532 44 13-69	Fender	238	532 44 13-74	Trim
52	873 68 05-00	Nut Crownlock 5/16-18	239	532 40 48-83	Clip Tinnerman
62	872 11 06-08	Bolt 3/8-16 x 1 Gr. 5	282	532 41 41-10	Clip Retainer
68	817 49 05-08	Screw Thdrol. 5/16-18 x 1/2	283	532 44 05-31	Console Deck Lift
118	819 13 13-16	Washer 13/32 x 13/16 x 16	284	532 44 08-59	Console Shift RH
119	873 68 06-00	Nut Crown Lock	287	817 60 04-06	Screw Hex Wash. 1/4-20 x 3/8
130	532 41 63-58	Screw #10 x .750 BOS Thread	297	532 40 66-65	Insert Reflective LH
137	532 40 75-90	Bumper Dash	303	587 49 31-01	Shield LH
150	532 40 66-62	Air Duct	304	587 49 33-01	Shield RH
151	532 40 78-07	Bracket Pivot	307	587 52 74-01	Shield Upper RH
152	532 19 95-35	Shield Browning	308	532 17 18-77	Bolt 5/16-18 unc x 3/4
156	872 14 06-14	Bolt 3/8-16 unc x 1-3/4	309	584 44 11-01	Backplate
159	817 00 06-12	Screw 3/8-16 x 3/4	310	532 44 66-36	Bracket Hangbar Bag LH
162	532 14 24-32	Screw Hex Wsh. Hi-Lo 1/4 x 1/2 unc	311	532 44 66-37	Bracket Hangbar Bag RH
175	532 19 94-72	Crossmember	319	532 17 46-62	Bracket Actuator Bagger
176	532 40 07-76	Screw 10-24 x 5/8	334	532 44 25-37	Bracket Engine
177	532 19 52-28	Bushing Steering	338	532 43 66-40	Bolt Shoulder
179	532 16 89-37	Nut Push	339	532 43 66-41	Lever Bagger Full
180	581 18 71-01	Chassis	340	532 44 09-31	Door Battery Tray
182	532 40 71-76	Dash Lower	341	582 06 08-01	Latch Batter Tray
183	874 52 05-20	Bolt 5/16-18 x 1-1/4	342	532 43 59-38	Support Fender
184	587 63 36-01	Plug End	343	532 44 07-49	Clip
189	817 00 05-12	Screw 5/16-18 x 3/4	371	587 49 45-01	Shield Upper
191	532 41 65-01	Insert Reflective RH	375	586 90 82-01	Dash Clip-On Bumper
194	873 90 05-00	Nut Lock Hex Flange 5/16-18	--	532 43 99-76	Dash SRV Minder
195	532 43 99-76	Plug Dash			
199	532 41 87-39	Plate Deck Lift			
202	532 44 13-42	Vent Side Hood RH			
203	532 44 13-43	Vent Side Hood LH			
204	532 44 13-75	Vent Top Hood			
205	532 44 13-44	Skirt Side RH			

**NOTE:** All component dimensions given in U.S. inches  
1 inch = 25.4 mm

TRACTOR - - MODEL NO. TC 38 (96051013900), PRODUCT NO. 960 51 01-39  
 DRIVE **40**



drive-tex CRD\_peerless\_20



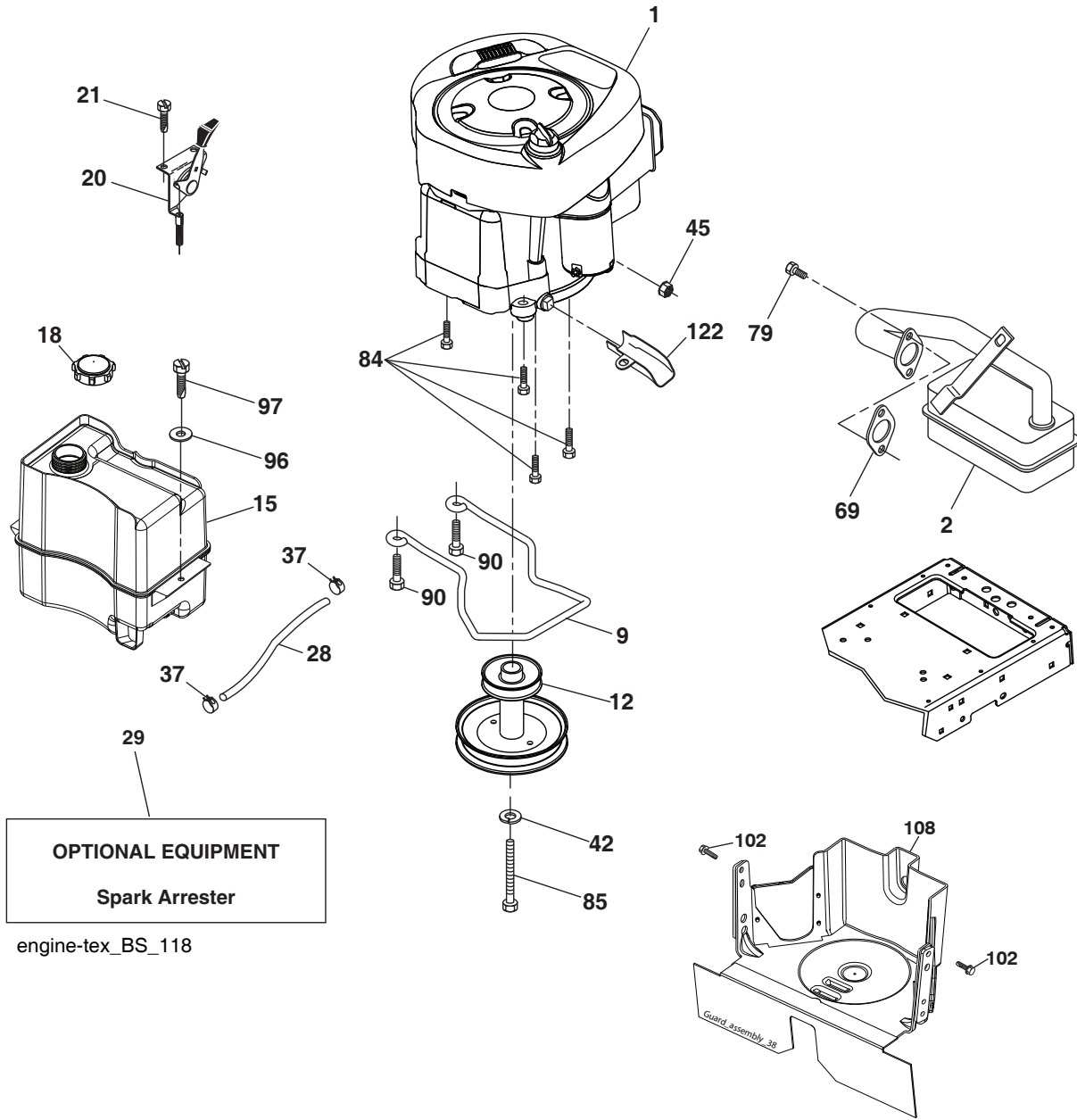
**TRACTOR - - MODEL NO. TC 38 (96051013900), PRODUCT NO. 960 51 01-39**

**DRIVE 40**

KEY NO.	PART NO.	DESCRIPTION	KEY NO.	PART NO.	DESCRIPTION
1	-----	Transaxle, Peerless 206-578 (436815) (Order parts from trans- axle manufacturer.)	183	532 13 70-57	Spacer Axle
2	532 12 35-83	Key Square	184	532 41 14-84	Knob
6	532 12 40-28	Bushing	185	872 11 06-22	Bolt
15	819 13 13-16	Washer	186	532 19 43-21	Spacer Retainer
17	532 44 08-67	Spring, Brake	189	532 43 36-11	Bellcrank Ground Drive
22	532 44 32-46	Rod Shift CRD Tex	192	532 15 03-60	Nut Lock Center 1/4-28 Fnthd.
23	532 12 12-74	Knob	195	580 45 69-01	Bracket Brake Rod
26	532 14 66-82	Spring Brake Return	205	532 12 17-48	Washer 25/32 x 1-5/8 16 Ga.
29	532 43 70-16	Rod, Brake	221	532 40 31-87	Retaining Spring
30	819 13 16-16	Washer	229	817 06 05-16	Screw
33	812 00 00-01	Ring E	263	817 00 06-12	Screw Hexwsh Thdr 3/8-16 x 3/4
35	532 40 10-31	Rod, Brake, Park	268	532 18 24-02	Guard Muffler RH
37	532 18 89-67	Washer Hardened	275	819 13 16-14	Washer 13/32 x 1 x 14 Ga.
42	532 12 48-72	Cover, Foot Pedal	280	819 11 10-12	Washer
49	872 11 06-14	Bolt	313	874 78 04-16	Bolt
50	532 19 43-27	Idler Flat	314	532 44 47-13	Retainer, Belt Style Spring
51	873 90 06-00	Lock Nut 3/8-16	315	817 58 05-20	Screw Thdrol 5/16-18 x 4.25
52	532 19 43-26	Pulley Idler V Groove Plastic	318	532 43 70-22	Link Shift Gear
56	532 43 63-84	V-Belt, Drive	319	532 43 67-94	Spacer Transaxle Tex CRD
61	532 16 59-99	Pulley Transaxle	328	532 43 79-58	Shaft Shift Front
64	532 19 62-00	Shaft Asm. Pedal Brake Control	330	532 16 95-93	Washer Nylon
73	874 49 05-56	Bolt Hex 5/16-18 x 3.75	331	532 44 36-06	Hub Shift
90	532 44 36-05	Keeper Belt Clutching	333	532 17 08-68	Wave Spring Washer
103	873 35 05-00	Nut	335	532 19 95-34	Pulley V-Idler
116	873 90 05-00	Nut Lock Hex Flange 5/16-18	337	532 43 59-37	Bracket Supt Shift CRD Tex
125	817 00 05-12	Screw 5/16-18 x 3/4	339	532 43 68-67	Strap Torue K46 CRD Tex
126	532 16 60-02	Washer Srrtd 5/16 ID x 1.0 x .125	340	532 43 68-12	Idler Flat
127	582 21 70-01	Link Clutch Ground Drive, Long	342	532 18 26-82	Keeper Belt
134	532 14 50-90	Asm. Shift	344	532 43 56-45	Bracket Idler CRD Tex
139	874 55 04-12	Bolt 1/4-28 unf Gr. 8 w/Patch	348	532 44 36-07	Bracket Pivot Lever
140	810 04 04-00	Washer Lock Hvy. Helical 1/4	350	532 44 50-20	Spring Torsion Shift
141	819 09 12-10	Washer 9/32 x 3/4 x 10 Ga.	351	532 43 69-98	Bracket
143	817 49 05-08	Screw Thdrol 5/16-18 x 1/2 TYTT	354	817 49 05-10	Screw
155	812 00 00-28	Ring Retainer	357	532 44 13-38	Belt Keeper
157	532 10 57-01	Washer Plate Shift	359	817 49 06-10	Screw Hxwsh Thdr 3/8-16 x 5/8
159	876 02 04-12	Cotter Pin	364	532 44 30-32	Bracket
160	532 16 94-84	Retainer Clip			
161	532 10 57-09	Spring, Return, Clutch			
165	532 19 62-12	Bushing Shaft Brake Hand Control			
166	532 42 91-64	Nut Push .625			
167	532 40 52-57	Latch Brake Parking			
174	532 19 72-89	Nut Push			

**NOTE:** All component dimensions given in U.S. inches  
1 inch = 25.4 mm

TRACTOR - - MODEL NO. TC 38 (96051013900), PRODUCT NO. 960 51 01-39  
ENGINE 24



engine-tex\_BS\_118

**TRACTOR - - MODEL NO. TC 38 (96051013900), PRODUCT NO. 960 51 01-39  
ENGINE 24**

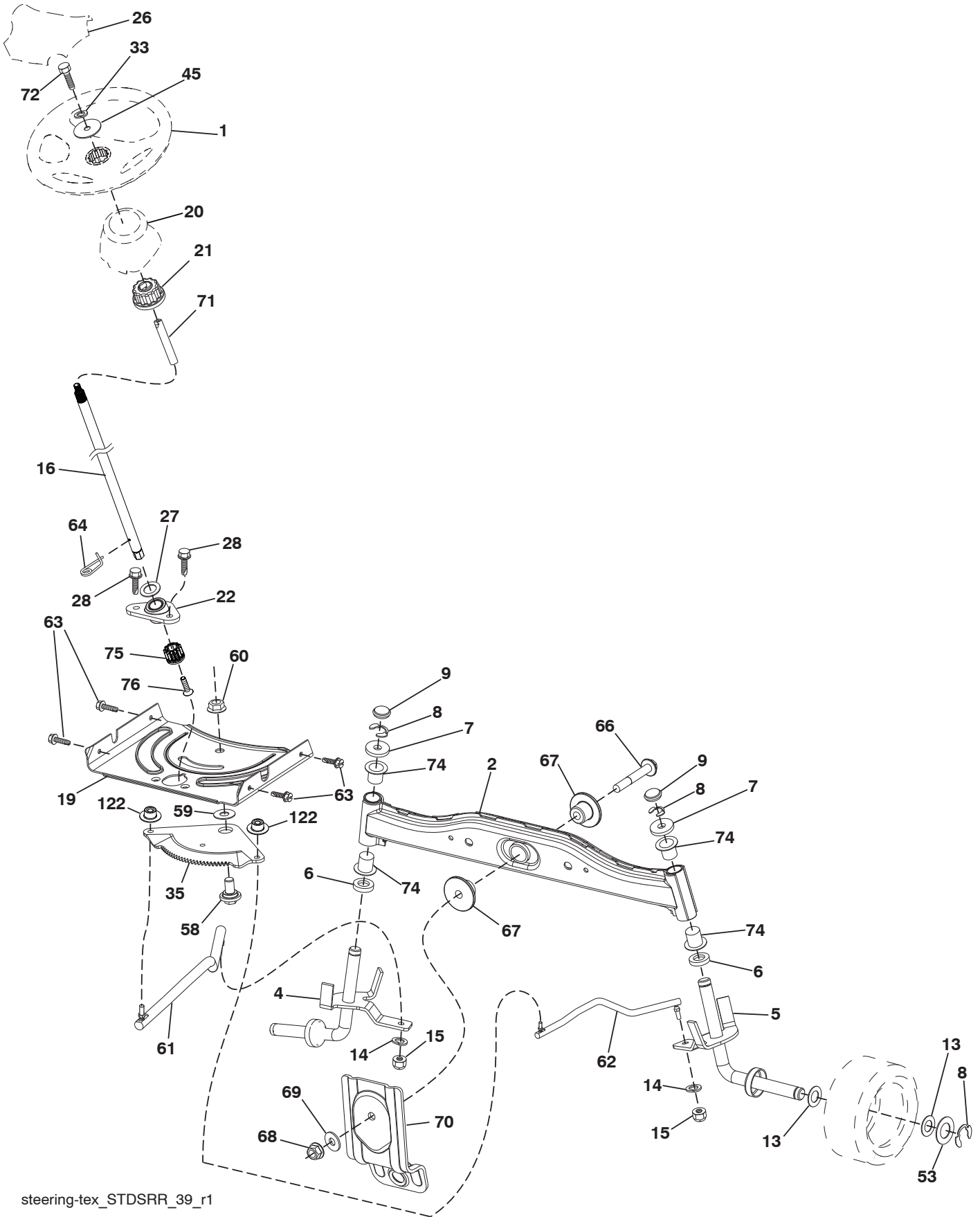
<b>KEY NO.</b>	<b>PART NO.</b>	<b>DESCRIPTION</b>
1	-----	Engine B&S Model No. 21R707-0018-B1(585688201) (Order parts from engine manufacturer.)
2	532 17 97-58	Muffler
9	501 83 26-01	Keeper Belt Engine
12	586 47 85-01	Pulley Engine
15	581 28 99-01	Tank Fuel 1.5
18	532 43 02-20	Cap Fuel
20	532 18 38-97	Control Throttle
21	532 41 63-58	Screw #10 x 0.750 BOS Thread
28	532 13 70-40	Fuel Line
29	532 13 71-80	Spark Arrester Kit
37	532 12 34-87	Clamp Hose
42	810 04 07-00	Lock Washer Hvy. 7/16
45	873 51 04-00	Nut Keps Hex 1/4-20 unc
69	532 16 52-91	Gasket
79	532 19 23-34	Screw Socket HD 5/16-18 x .75
84	817 06 06-20	Screw
85	501 60 65-01	Bolt Hex 7/16-20 x 4 x Gr. 5-1.5 Thr
90	817 00 06-16	Screw 3/8-16 x 1
96	819 09 14-16	Washer 9/32 x 7/8 x 16 Ga.
97	817 67 04-12	Screw 1/4-20 x 3/4
102	817 06 05-16	Screw 5/16-18 x 1
108	587 17 95-02	Cover Pulley Engine w/SHLD
122	532 42 19-22	Extension Drain Oil

**NOTE:** All component dimensions given in U.S. inches  
1 inch = 25.4 mm

**Engine Power Rating Information**

The gross power rating for individual gas engine models is labeled in accordance with SAE (Society of Automotive Engineers) code J1940 (Small Engine Power & Torque Rating Procedure), and rating performance has been obtained and corrected in accordance with SAE J1995 (Revision 2002-05). Torque values are derived at 3060 RPM; horsepower values are derived at 3600 RPM. Actual gross engine power will be lower and is affected by, among other things, ambient operating conditions and engine-to-engine variability. Given both the wide array of products on which engines are placed and the variety of environmental issues applicable to operating the equipment, the gas engine will not develop the rated gross power when used in a given piece of power equipment (actual "on-site" or net power). This difference is due to a variety of factors including, but not limited to, accessories (air cleaner, exhaust, charging, cooling, carburetor, fuel pump, etc.), application limitations, ambient operating conditions (temperature, humidity, altitude), and engine-to-engine variability. Due to manufacturing and capacity limitations, Briggs & Stratton may substitute an engine of higher rated power for this Series engine.

TRACTOR - - MODEL NO. TC 38 (96051013900), PRODUCT NO. 960 51 01-39  
 STEERING ASSEMBLY **41**



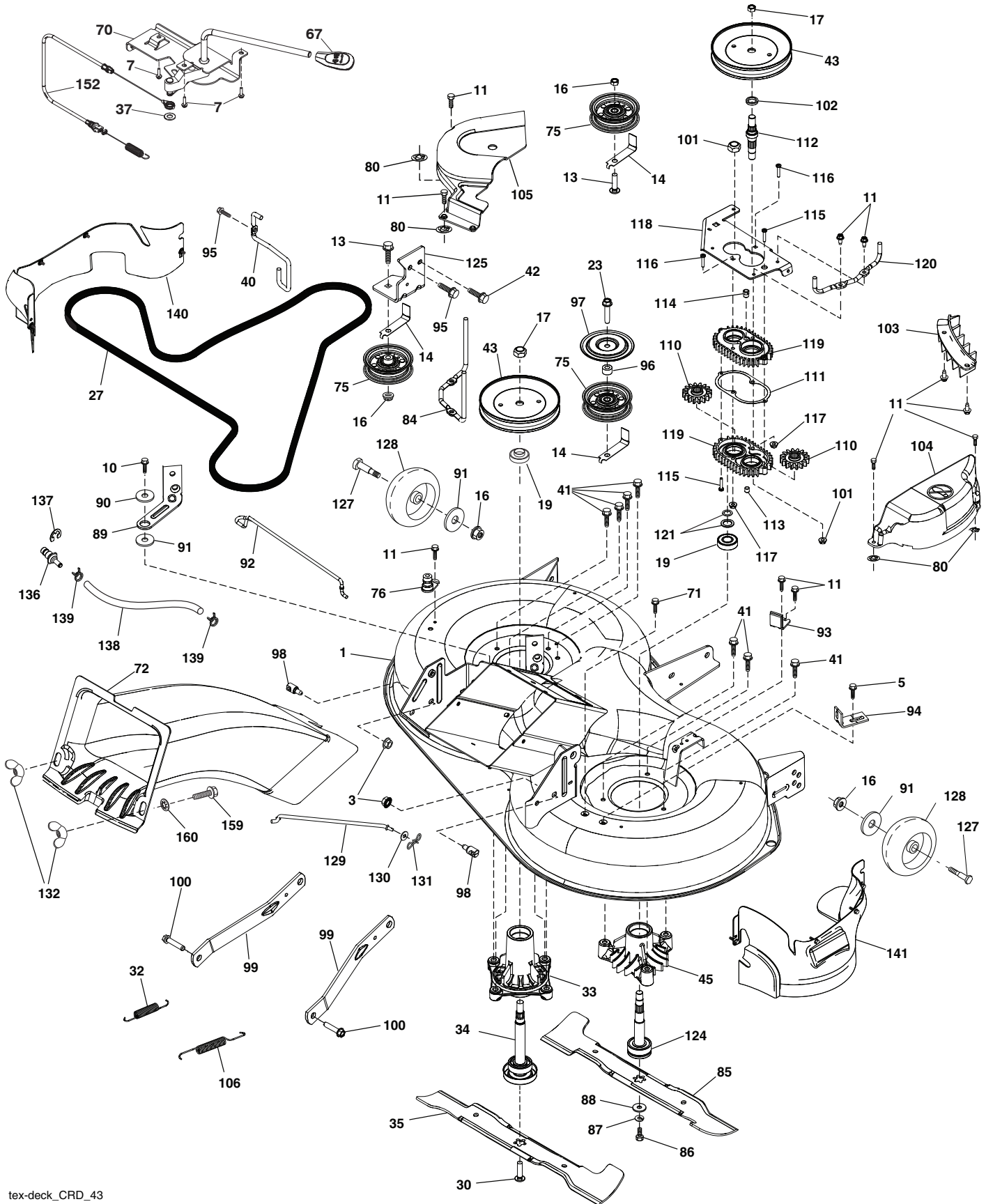
steering-tex\_STDSRR\_39\_r1

**TRACTOR - - MODEL NO. TC 38 (96051013900), PRODUCT NO. 960 51 01-39**  
**STEERING ASSEMBLY 41**

<b>KEY NO.</b>	<b>PART NO.</b>	<b>DESCRIPTION</b>
1	532 43 99-97	Wheel, Steering
2	532 41 81-68	Axle Asm.
4	532 40 30-87	Spindle Asm., LH
5	532 40 30-88	Spindle Asm., RH
6	532 12 49-31	Bearing, Race Thrust Harden
7	532 12 17-48	Washer 25/32 x 1-5/8 x 16 Ga.
8	812 00 00-29	Ring, Klip #T5304-75
9	532 12 12-32	Cap, Spindle
13	532 12 17-49	Washer 25/32 x 1-1/4 x 16 Ga.
14	810 04 06-00	Washer, Lock Hvy Hlcl Spr 3/8
15	873 54 06-00	Nut, Crown Lock 3/8-24 unf
16	585 86 92-02	Steering Shaft
19	532 19 47-29	Plate Steering
20	532 44 14-25	Boot, Steering
21	532 18 67-37	Adapter, Wheel Steering
22	585 02 98-02	Bearing
26	532 43 97-43	Insert, Wheel Steering
27	819 21 16-16	Washer 21 x 32 x 1 x 16 Ga.
28	817 00 06-12	Screw 3/8-16 x 3/4
33	810 04 05-00	Washer Lock 5/16
35	532 19 47-32	Gear, Sector Plate
45	819 11 38-12	Washer 11/32 x 3/8 x 12 Ga.
53	532 18 89-67	Washer Hardened .793 x 1.637 x .060
58	532 19 47-47	Bolt Shoulder Sector Pivot CFM
59	532 19 47-48	Washer Thrust Sector Steering
60	873 97 10-00	Nut Flange Lock 5/8-11
61	532 19 47-40	Draglink, LH
62	532 19 47-41	Draglink, RH
63	817 00 05-12	Screw 5/16-18 x 3/4
64	532 19 98-49	Retainer Clip Spring Steering
66	871 02 07-48	Bolt Hex Fghd 7/16-14 x 3 Serr
67	532 19 47-37	Bushing PM Front Axle
68	873 90 07-00	Nut Lock Flange 7/16-14 Gr. 5
69	532 19 91-62	Washer 1.5 x .505 x .118
70	585 33 88-01	Bracket Deck Susp. Front
71	532 19 07-52	Shaft Extension Steering
72	532 42 89-82	Bolt Fin Hx 5/16-18 x 4
74	532 12 49-37	Bearing
75	580 68 37-01	Pinion
76	580 68 36-01	Screw Head Sock
122	532 44 49-62	Cap Gear Sector
--	501 76 20-01	Kit ID Box (Includes Key#'s 1, 20, 21, 26, 33, 45, 71, & 72). This kit also includes bagger parts (532 43 66-41 Full Bagger Lever); refer to pages 6 & 7 in this IPL, (873 90 04-00 Nut Hex Flange 1/4-20 unc), (532 42 16-14 Spring Latch Bagger), (817 49 04-12 Screw 1/4-20 x 3/4); refer to pages 18 & 19 in this IPL.

**NOTE:** All component dimensions given in U.S. inches  
1 inch = 25.4 mm

TRACTOR - - MODEL NO. TC 38 (96051013900), PRODUCT NO. 960 51 01-39  
 MOWER DECK **44**



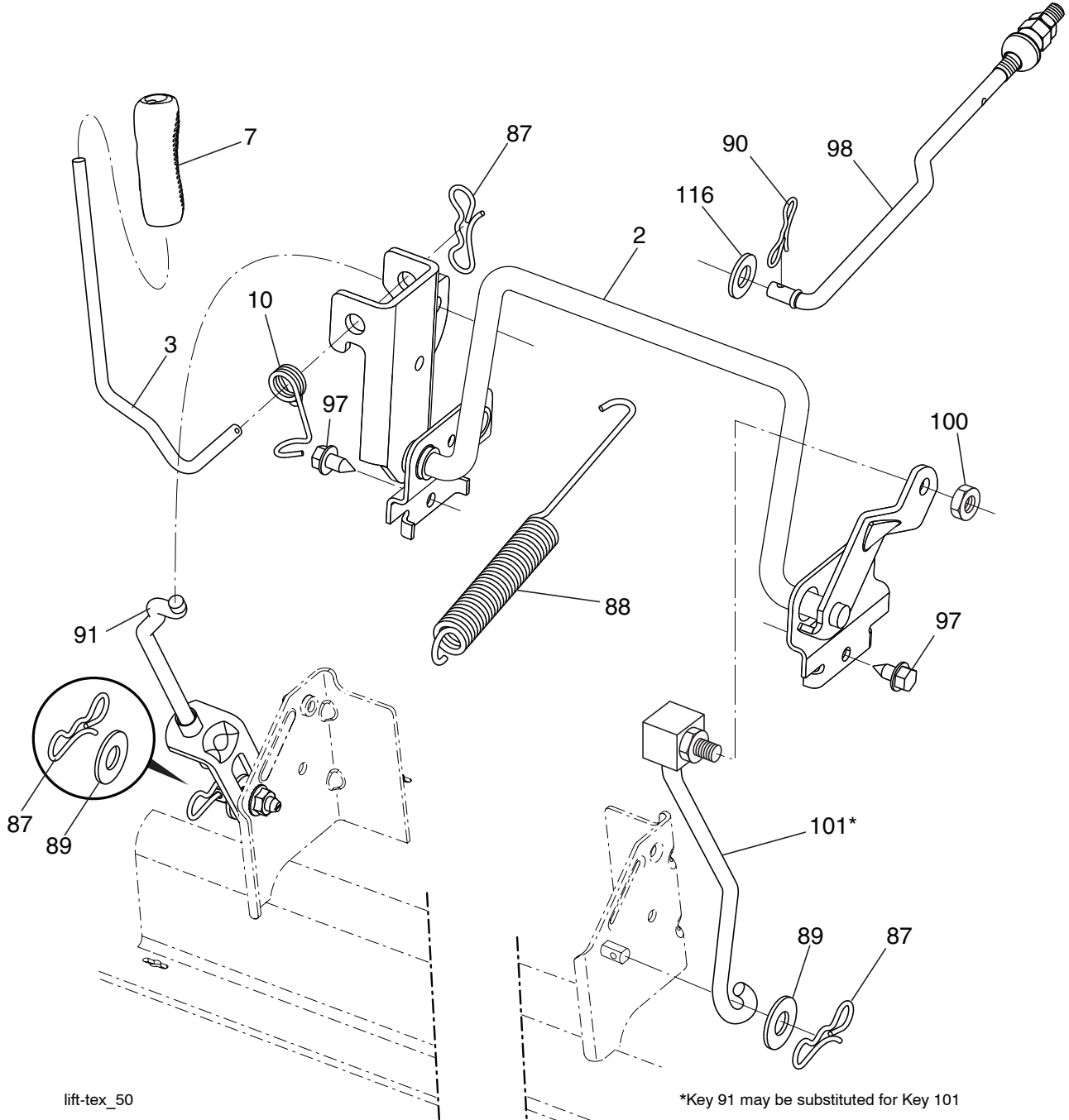
tex-deck\_CRD\_43

**TRACTOR - - MODEL NO. TC 38 (96051013900), PRODUCT NO. 960 51 01-39**  
**MOWER DECK 44**

<b>KEY NO.</b>	<b>PART NO.</b>	<b>DESCRIPTION</b>	<b>KEY NO.</b>	<b>PART NO.</b>	<b>DESCRIPTION</b>
1	532 44 09-71	Deck Weldment	106	532 19 32-16	Spring Brake Return
3	873 90 05-00	Nut Lock Hex Flange 5/16 - 18	110	587 93 48-01	Gear Output
5	817 00 05-10	Bolt 5/16-18	111	532 43 69-79	Gasket Gearcase
7	532 41 63-58	Screw #10 x 0.750 BOS Thread	112	532 44 38-52	Shaft Gearcase Adapter
10	817 00 06-16	Screw 3/8-16x1 smgml tap	113	532 43 85-33	Plug Oil
11	532 13 77-29	Screw Thd Roll 1/4 - 20 X 5/8	114	588 17 05-01	Valve Relief
13	872 11 06-12	Bolt Carr Sh 3/8 - 16 x 1-1/2 Gr. 5	115	818 03 10-16	Screw Torx #10-24 x 1
14	532 15 60-85	Keeper Belt Idler	116	872 11 04-14	Bolt 1/4-20 x 1.75 Gr. 5
16	873 90 06-00	Nut Lock FIG 3/8 - 16 unc	117	873 90 04-00	Nut Hex Flange 1/4-20 unc
17	532 40 02-34	Nut Flange Lock Top	118	532 43 69-89	Arm Clutching
19	585 32 39-01	Bearing Mandrel	119	532 43 81-66	Gearcase Subasm
23	817 49 06-28	Screw Thdrol 3/8 - 16 X 1-3/4	120	532 43 69-91	Keeper Belt RH
27	532 43 97-26	V-Belt Drive	121	532 43 69-85	Washer
30	584 30 93-01	Screw Sems 7/16-20 x 1 Hex Head	124	532 43 69-86	Non Greasable Mandrel Shaft
32	532 40 18-72	Spring Return Deck	125	532 43 69-94	Bracket Idler Chassis
33	532 18 72-81	Housing Mandrel 4pt Service	127	532 19 34-06	Bolt Shoulder 3/8-16 x 3-5/8 Gr. 5
34	587 25 65-01	Shaft Asm Mndrl	128	532 17 48-73	Wheel Gauge
35	532 42 79-84	Blade Mower LH	129	532 40 48-51	Rod Anti-Sway
37	819 13 13-16	Washer 13/32 x 13/16 x 16 Ga.	130	819 13 13-12	Washer 13/32 x 13/16 x 12 Ga.
40	532 19 72-58	Keeper Belt Engine LH	131	532 19 42-08	Pin Cotter 5/16 Bow Tie Lock
41	584 95 39-01	Bolt Hex	132	532 17 88-99	Knob Handle 3/8-16
42	817 00 05-12	Screw 5/16-18 x 3/4	136	532 43 96-39	Washout Port
43	532 19 74-73	Pulley Mandrel	137	812 00 00-29	Ring Clip
45	532 13 71-52	Housing Mandrel	138	532 44 07-43	Hose
67	532 40 30-12	Handle Clutch Cable	139	532 44 07-42	Hose Clamp
70	532 40 12-46	Clutch Asm Manual LT Pred	140	501 57 94-01	LH Guard
71	817 67 06-08	Screw 3/8-16 x 1/2	141	501 57 93-02	RH Guard
72	582 03 56-01	Chute Upper	152	532 44 04-88	Cable Clutch Manual w/Spring
75	532 13 14-94	Pulley Idler Flat	159	872 14 06-14	Bolt 3/8-16 unc x 1-3/4
76	532 43 96-40	Washout Port	160	532 16 89-37	Nut Push
80	532 42 30-62	Pal Nut	--	587 25 33-01	Mandrel Assembly (Includes Housing Assembly (key#33), Shaft Assembly (key#34) and Bearing Only (key#19) - Pulley/ Nut/Washer And Blade Bolt/ Washers Not Included)
84	532 43 25-20	Keeper Belt LH Mandrel	--	587 49 20-01	Replacement Mower Complete
85	532 42 79-85	Blade Mower RH	--	532 44 81-32	Gear Case Kit – Use .75 oz. Shell 460 oil (Include Gear Output (key #110), Gasket Gearcase (key #111), Shaft Gearcase (key #112), Plug Oil (key #113), Vent Breather 1/8 NPT (key #114), Screw Torx (key #115), Gearcase Subasm (key #119))
86	532 18 17-13	Bolt 3/8-24 x 1.50 Gr. 8			
87	810 03 06-00	Washer Lock Hvy. 3/8			
88	532 14 02-96	Washer Hard			
89	532 43 81-24	Arm Brake 97 LH			
90	532 19 90-92	Spacer Retainer			
91	819 13 20-12	Washer 13/32 x 1-1/4 x 12 Ga.			
92	532 43 69-93	Rod Brake Assembly			
93	532 43 81-25	Arm Brake RH			
94	532 19 72-50	Bracket Clutch Cable			
95	817 00 06-12	Screw 3/8-16 x 3/4			
96	532 40 02-71	Spacer			
97	532 18 20-61	Shield Idler Mower			
98	532 19 51-61	Stud Fastener			
99	532 19 51-86	Arm Suspension Mower Rear			
100	532 19 65-39	Bolt Shoulder			
101	873 68 09-00	Nut Crownlock 9/16 - 18 unc			
102	532 40 25-11	Spacer Bearing Swing Plate			
103	532 43 69-92	Guard Front Vent			
104	532 43 89-68	Mandrel Cover RH			
105	532 43 87-44	Mandrel Cover LH			

**NOTE:** All component dimensions given in U.S. inches  
1 inch = 25.4 mm

**TRACTOR - - MODEL NO. TC 38 (96051013900), PRODUCT NO. 960 51 01-39**  
**MOWER LIFT 45**



lift-tex\_50

\*Key 91 may be substituted for Key 101

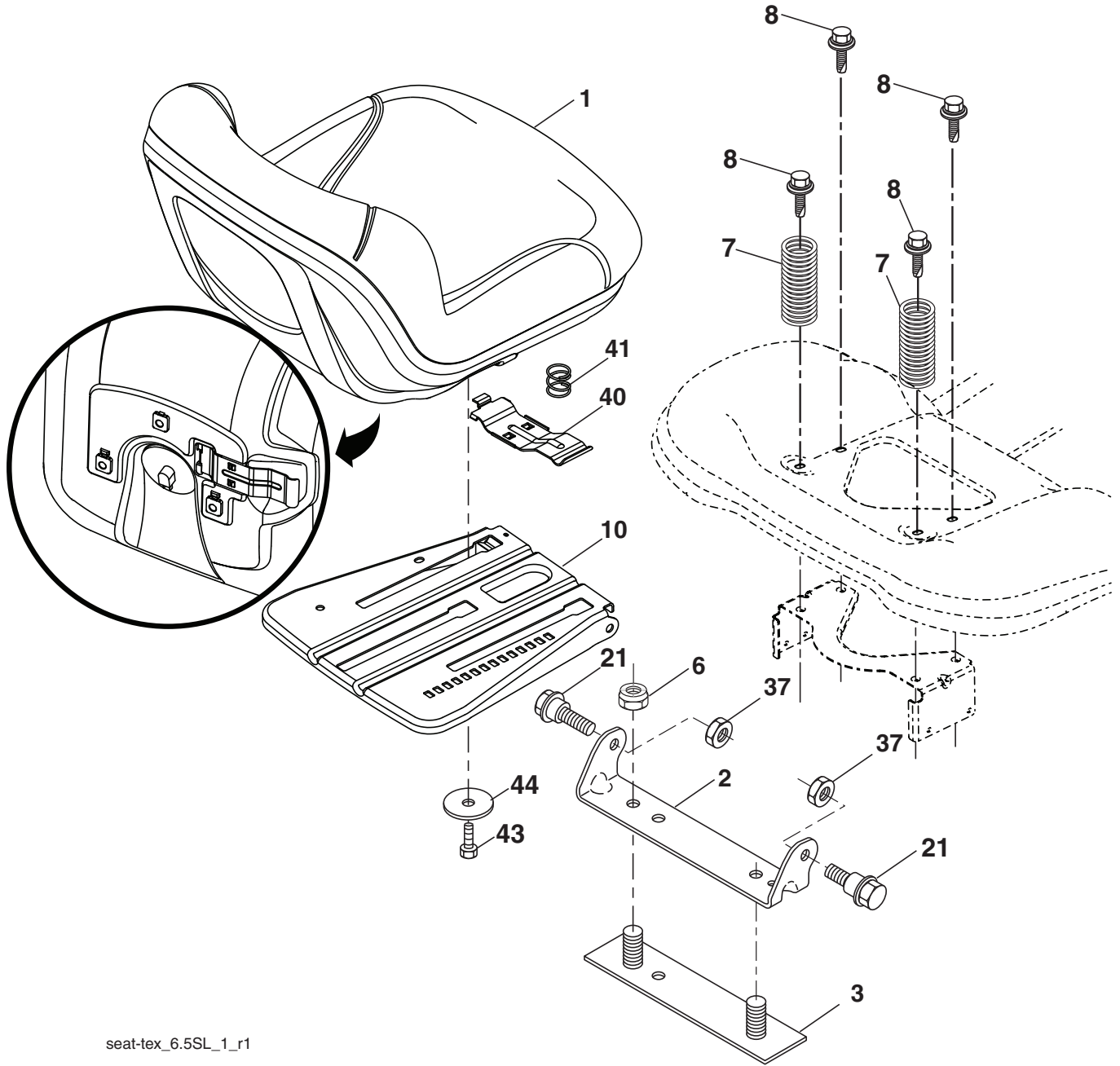
KEY NO.	PART NO.	DESCRIPTION
2	532 43 69-96	Deck Lift
3	532 19 52-31	Lever Asm., Lift RH
7	580 96 23-01	Grip, Lever
10	532 19 63-14	Spring Torsion
87	532 19 42-09	Pin Cotter 7/16 Bow Tie Lock
88	532 43 69-95	Spring Lift Assist
89	819 19 19-12	Washer 17/32 x 1-3/16 x 12 Ga.
90	532 19 42-08	Pin Cotter 5/16 Bow Tie Lock
91	532 19 51-81	Link Lift Susp Mower Rear

KEY NO.	PART NO.	DESCRIPTION
97	817 49 06-08	Screw 3/8-16 x 1/2
98	532 19 52-70	Link Lift Susp. Front Mower
100	873 93 06-00	Nut Centerlock
101	532 40 70-03	Link Asm. Lift
116	819 15 15-16	Washer 15/32 x 15/16 x 16 Ga.

**NOTE:** All component dimensions given in U.S. inches  
 1 inch = 25.4 mm



TRACTOR - - MODEL NO. TC 38 (96051013900), PRODUCT NO. 960 51 01-39  
SEAT ASSEMBLY **42**



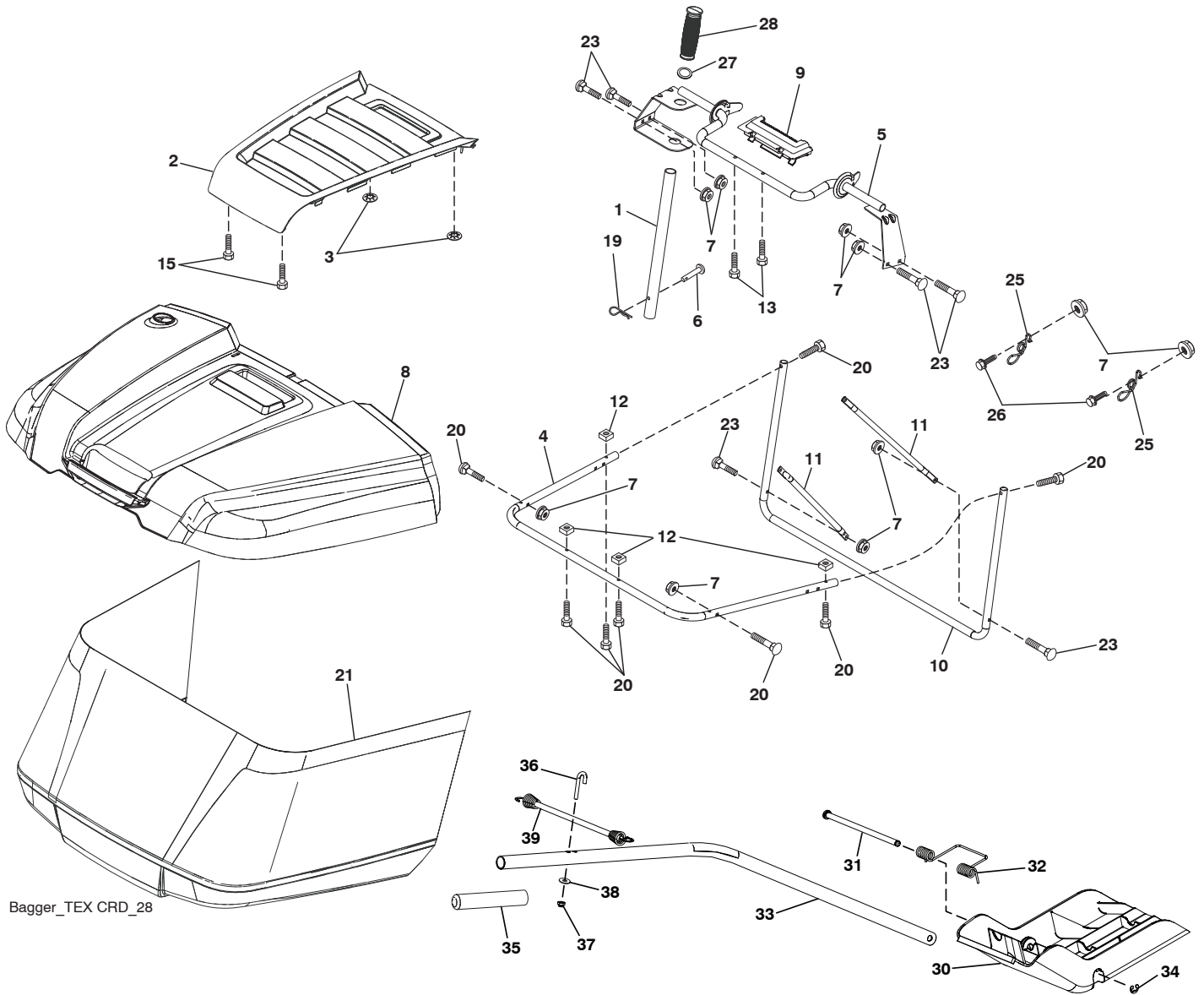
seat-tex\_6.5SL\_1\_r1

KEY NO.	PART NO.	DESCRIPTION
1	532 43 97-09	Seat
2	532 18 01-66	Bracket Pivot Fender
3	532 14 06-75	Strap, Asm. Fender
6	873 80 06-00	Nut, Lock w/Ins. 3/8-16 unc
7	587 61 33-01	Spring, Seat Cprsn.
8	532 17 18-77	Bolt 5/16-18 unc x 3/4 w/Sems.
10	532 19 69-77	Pan, Seat
21	532 17 18-52	Bolt, Shoulder 5/16-18

KEY NO.	PART NO.	DESCRIPTION
37	873 80 05-00	Nut, Lock 5/16-18 unc
40	532 19 76-61	Handle
41	532 19 82-00	Spring
43	874 76 06-12	Bolt 3/8-16 unc x 3/4
44	819 13 38-12	Washer 13/32 x 2-3/8 x 12 Ga.

**NOTE:** All component dimensions given in U.S. inches  
1 inch = 25.4 mm

TRACTOR - - MODEL NO. TC 38 (96051013900), PRODUCT NO. 960 51 01-39  
BAGGER **46**



Bagger\_TEX CRD\_28

**TRACTOR - - MODEL NO. TC 38 (96051013900), PRODUCT NO. 960 51 01-39**  
**BAGGER 46**

<b>KEY NO.</b>	<b>PART NO.</b>	<b>DESCRIPTION</b>
1	532 42 86-10	Tube Handle Bagger
2	532 44 13-58	Applique
3	532 41 38-08	Nut Push .156
4	579 78 54-01	Frame Asm Bagger Top
5	532 41 76-32	Frame Asm Top Bagger
6	532 12 68-75	Rivet Drilled
7	873 90 04-00	Nut Hex Flange 1/4-20 unc
8	532 44 12-61	Cover Bagger
9	532 41 76-29	Insert Handle Bagger
10	532 43 67-70	Frame Front
11	532 43 67-71	Tubing Brace Bagger
12	532 42 17-93	Nut Square 1/4
13	532 42 17-80	Screw 1/4 x 1.150
15	532 42 18-01	Screw #8 Flat Head Drill Tip
19	532 19 42-08	Cotter Pin 5/16 Bow Tie
20	501 40 66-01	Screw Hex Cap 1/4-20 x 1.500
21	532 44 83-06	Bag Asm
23	872 04 04-10	Bolt Carr. 1/4-20
25	532 42 16-14	Spring Latch Bagger
26	817 49 04-12	Screw 1/4-20 x 3/4
27	532 42 12-62	Grommet Rubber
28	532 16 57-87	Grip Handle Black
30	532 43 74-52	Plug
31	532 43 58-61	Pin Hinge
32	532 43 74-54	Spring Double Torsion
33	532 43 84-51	Shaft Mulch Plug
34	532 43 79-88	E-Ring 5/16
35	532 43 91-39	Grip Mulch Plug
36	532 43 90-98	Bolt J
37	532 06 91-80	Nut Lock #10-24 unc
38	819 07 08-18	Washer 7/32 x 1/2
39	532 43 92-42	Bungee

**NOTE:** All component dimensions given in U.S. inches  
1 inch = 25.4 mm

