

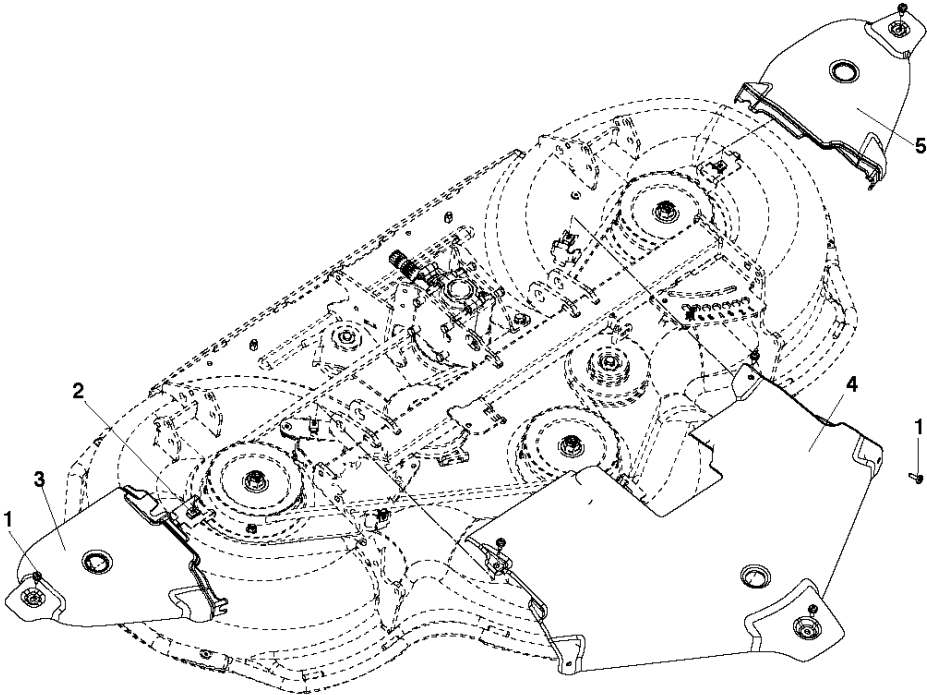


# SPARE PARTS LIST

RIDERS

CUTTING DECK C155, 967293901,  
2015-01

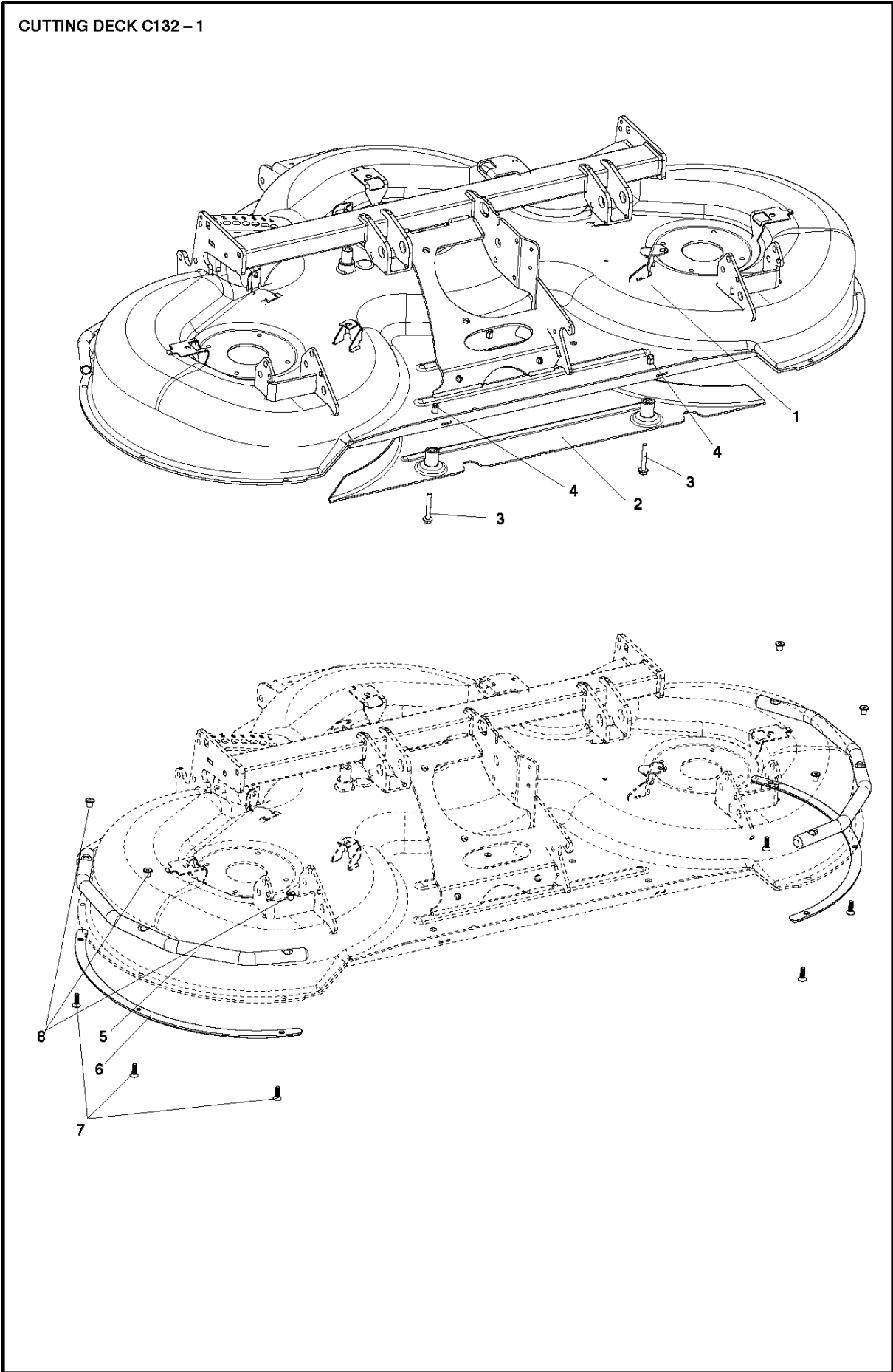
CUTTING DECK C155 - 6



61"/155CM CUTTING DECK

CUTTING DECK C155, 967293901, 2015-01

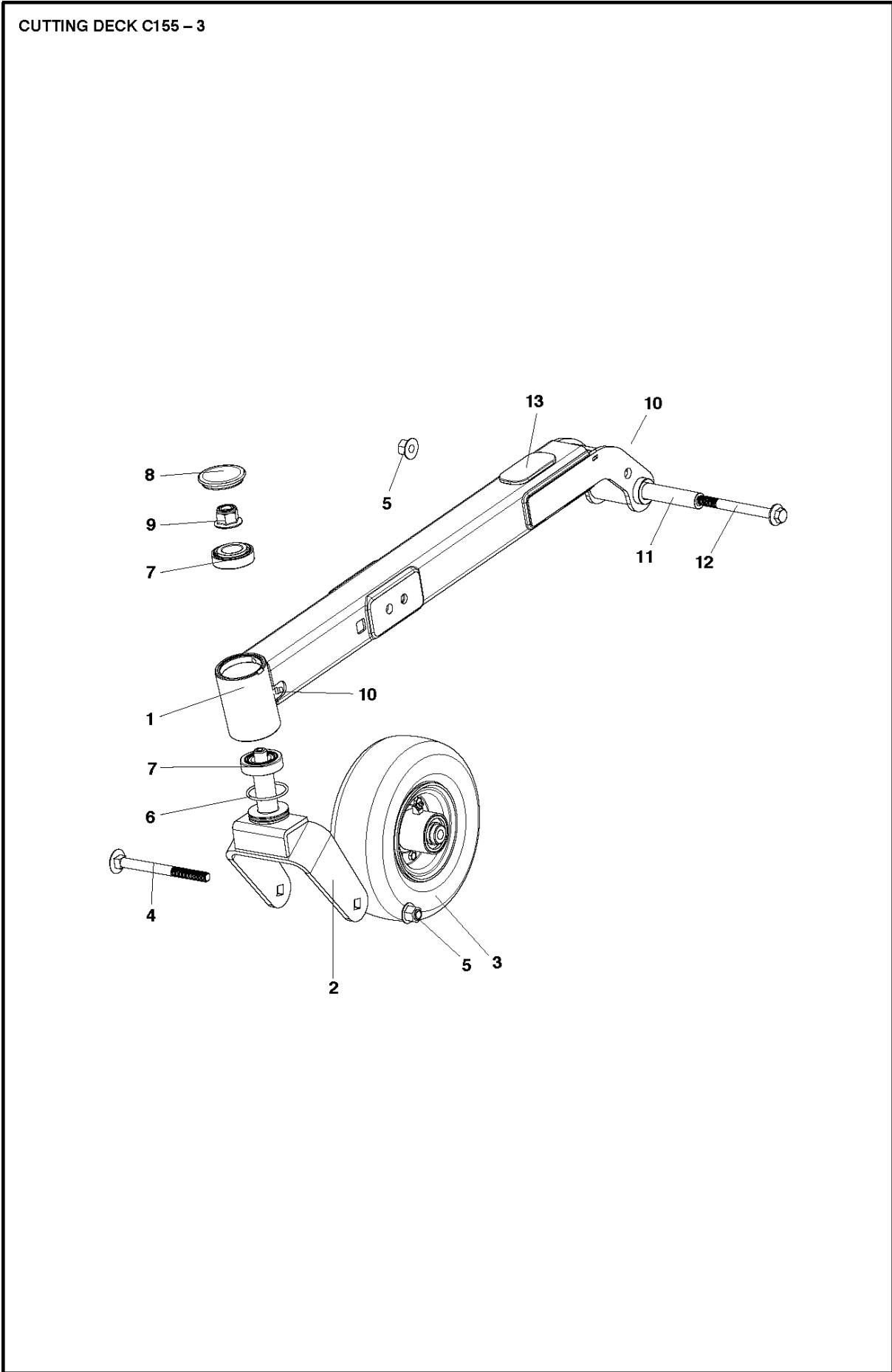
Ref	Part No	Description	Remark	QTY KIT
1	574 85 62-02	SCREW		7
2	535 42 91-01	SPRING NUT		7
3	586 41 18-01	BELT COVER		1
4	586 41 19-01	BELT COVER		1
5	586 41 17-01	BELT COVER		1



## 61"/155CM CUTTING DECK

CUTTING DECK C155, 967293901, 2015-01

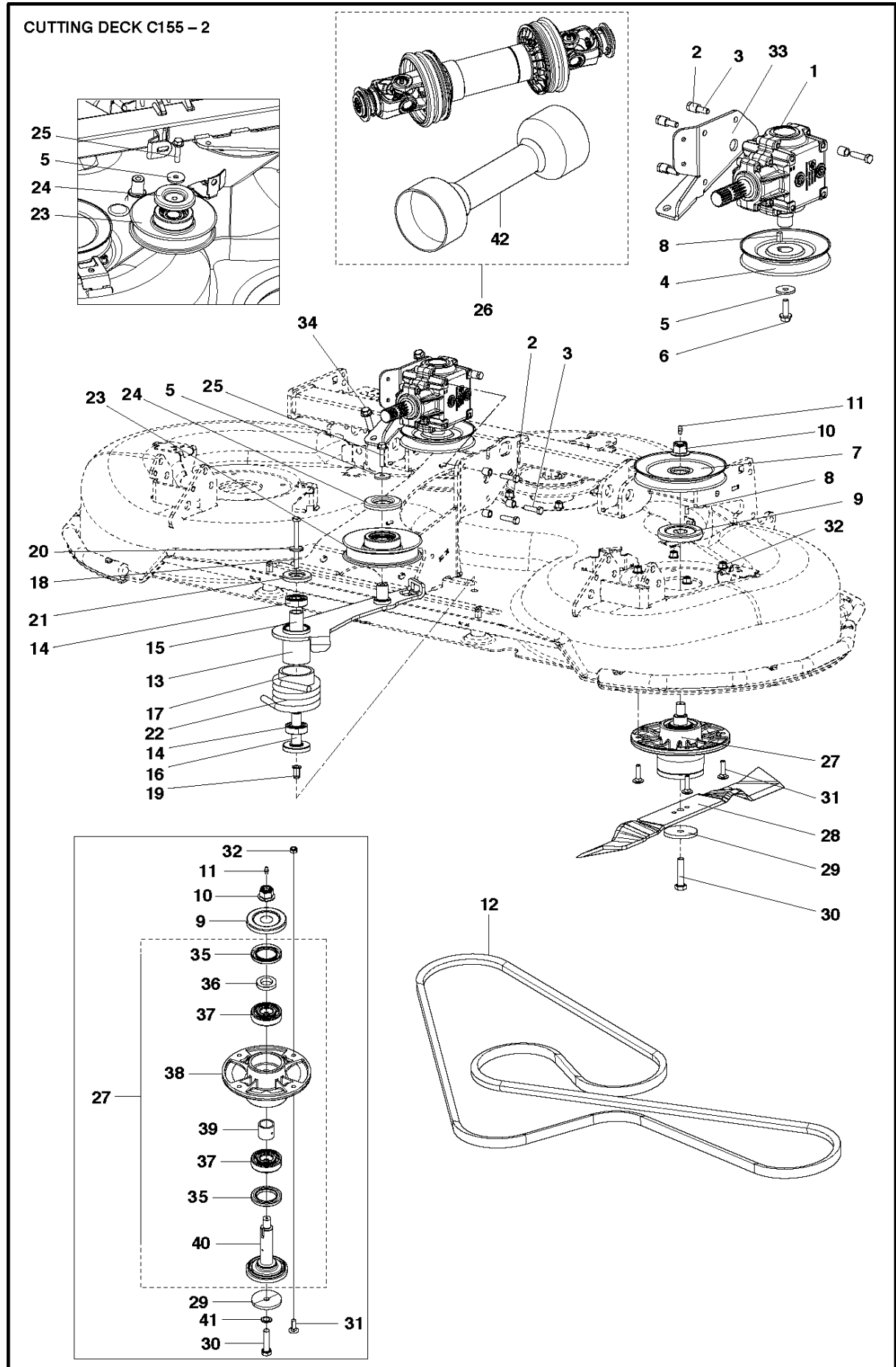
Ref	Part No	Description	Remark	QTY KIT
1	586 16 30-01	DECK SHELL ASSY		1
2	544 16 62-03	PLUG ASSY		1
3	506 57 01-07	SCREW EHHFM		3
4	506 91 62-03	BLIND RIVET NUT		3
5	586 23 88-01	REINFORCEMENT		2
6	586 23 91-01	WEAR PLATE		2
7	587 96 20-03	SCREW ITXCFSM		6
8	586 48 34-01	NUT CAP		6



## 61"/155CM CUTTING DECK

CUTTING DECK C155, 967293901, 2015-01

Ref	Part No	Description	Remark	QTY KIT
1	586 19 43-01	SUPPORTING ARM		1
2	586 22 24-01	FORK		1
3	585 06 62-01	PIVOT WHEEL ASSY		1
4	586 88 36-01	SCREW RSQM		1
5	576 64 57-06	NUT FLANGE		1
6	586 55 87-01	O-RING		2
7	586 55 86-01	ROLLER BEARING		1
8	586 22 20-01	DUST COVER		2
9	577 41 19-01	NUT FLANGE		1
10	738 88 10-01	LUBRICATION NIPPLE		1
11	586 23 67-01	DISTANCE		2
12	576 65 48-12	SCREW EHHFM		1
13	587 84 27-01	PLUG		1

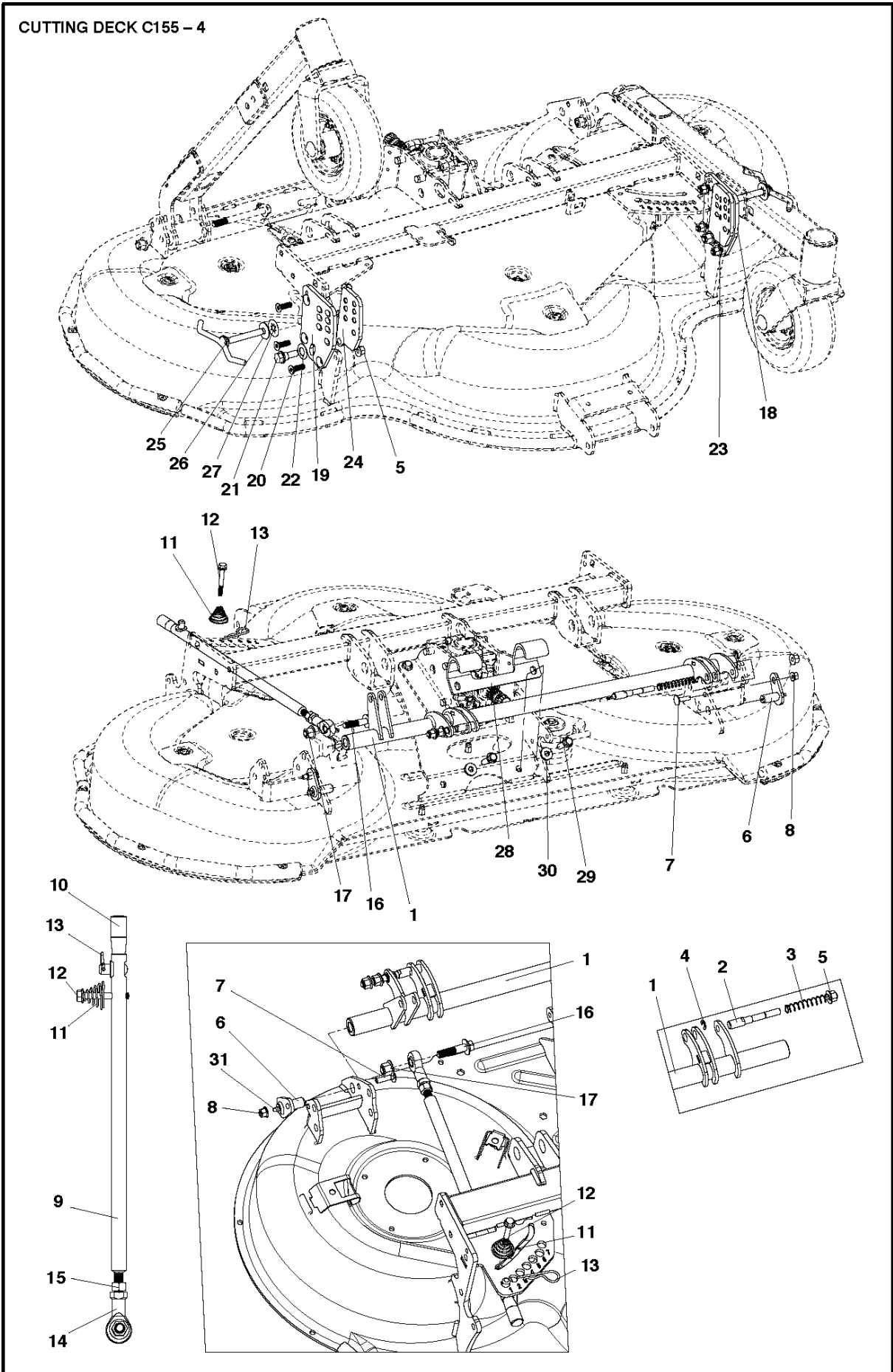




## 61"/155CM CUTTING DECK

CUTTING DECK C155, 967293901, 2015-01

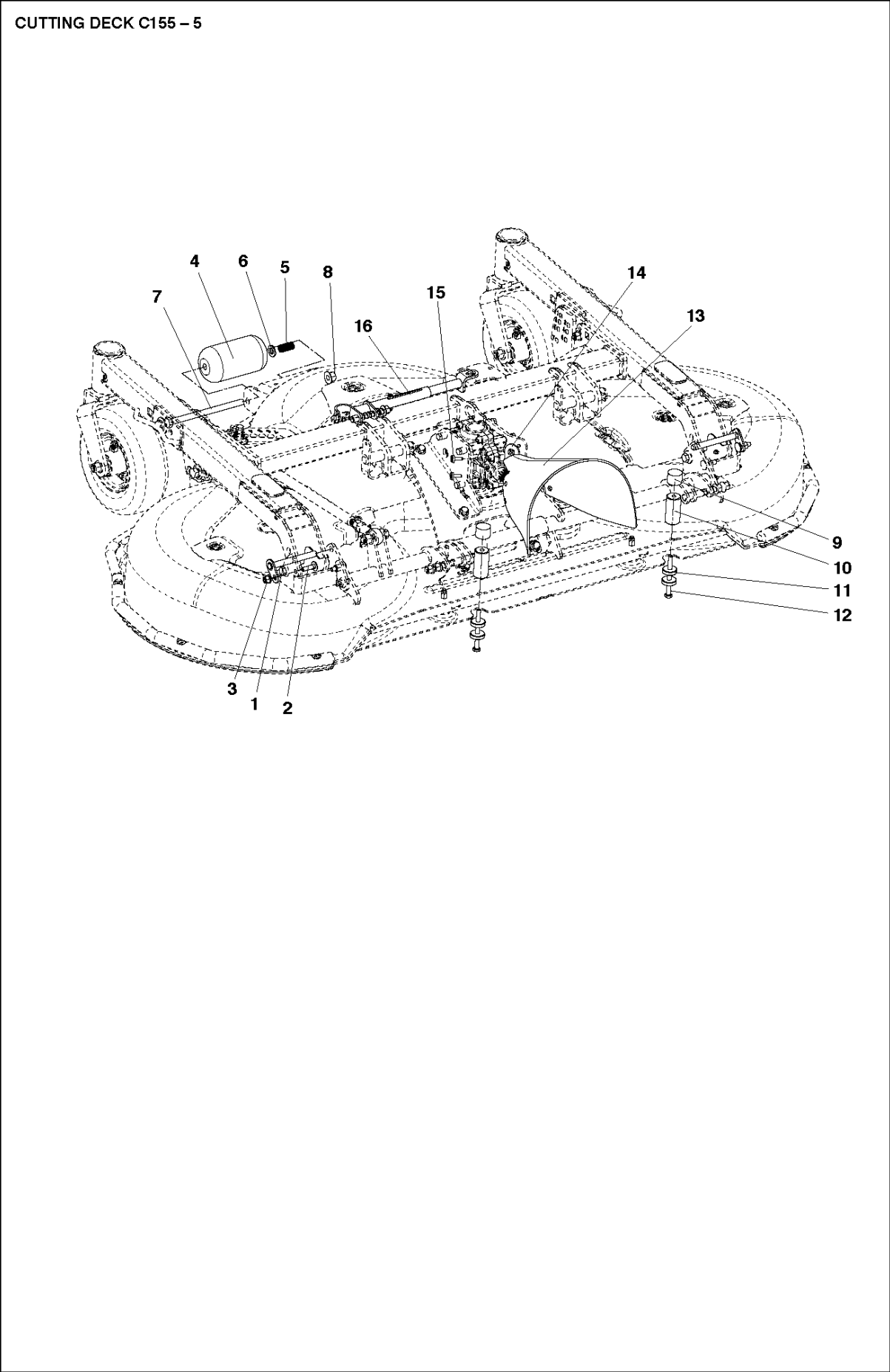
Ref	Part No	Description	Remark	QTY	KIT
1	586 22 40-01	BEVEL GEAR		1	
2	585 87 73-01	SLEEVE		6	
3	504 02 13-02	SCREW		6	
4	585 14 51-01	PULLEY ASSY		1	
5	544 22 16-01	WASHER		3	
6	577 21 65-01	SCREW		1	
7	583 89 81-01	PULLEY ASSY		3	
8	506 53 35-01	PARALLEL KEY		4	
9	577 97 08-01	DUST COVER		3	
10	577 41 19-01	NUT FLANGE		3	
11	738 88 10-01	LUBRICATION NIPPLE		3	
12	585 87 75-02	BELT		1	
13	586 22 58-01	ARM		1	
14	738 22 03-19	BALL BEARING		2	
15	586 22 67-01	DISTANCE		1	
16	586 22 64-01	SHAFT		1	
17	525 46 56-01	SPACER		1	
18	725 24 69-51	SCREW EHHM		1	
19	506 91 62-03	BLIND RIVET NUT		1	
20	734 11 64-41	WASHER		1	
21	510 25 45-01	SHIELD		1	
22	586 22 61-01	SPRING		1	
23	585 12 81-01	BELT TENSIONER WHEEL ASSY		2	
24	587 48 83-01	DUST COVER		2	
25	506 57 01-06	SCREW EHHFM		2	
26	586 49 32-01	SHAFT ASSY		1	
27	577 16 22-01	BEARING HOUSING ASSY		3	
28	544 17 58-10	BLADE		3	
29	588 14 56-02	PLATE		3	
30	725 25 42-86	SCREW EHHM		3	
31	535 42 38-05	SCREW RSQM		12	
32	576 64 57-04	NUT FLANGE		12	
33	586 23 85-01	BRACKET		1	
34	506 67 54-01	SCREW EHHFM		2	
35	577 22 60-01	RADIAL SEAL		6	27
36	577 16 24-01	SPACER		3	27
37	580 39 80-01	BALL BEARING		6	27
38	578 01 61-01	BEARING HOUSING		3	27
39	577 20 78-01	SPACER		3	27
40	577 97 07-01	BLADE BRACKET		2	27
41	506 83 94-01	SPRING WASHER		3	
42	579 76 73-01	COVER ASSY		1	26



## 61"/155CM CUTTING DECK

CUTTING DECK C155, 967293901, 2015-01

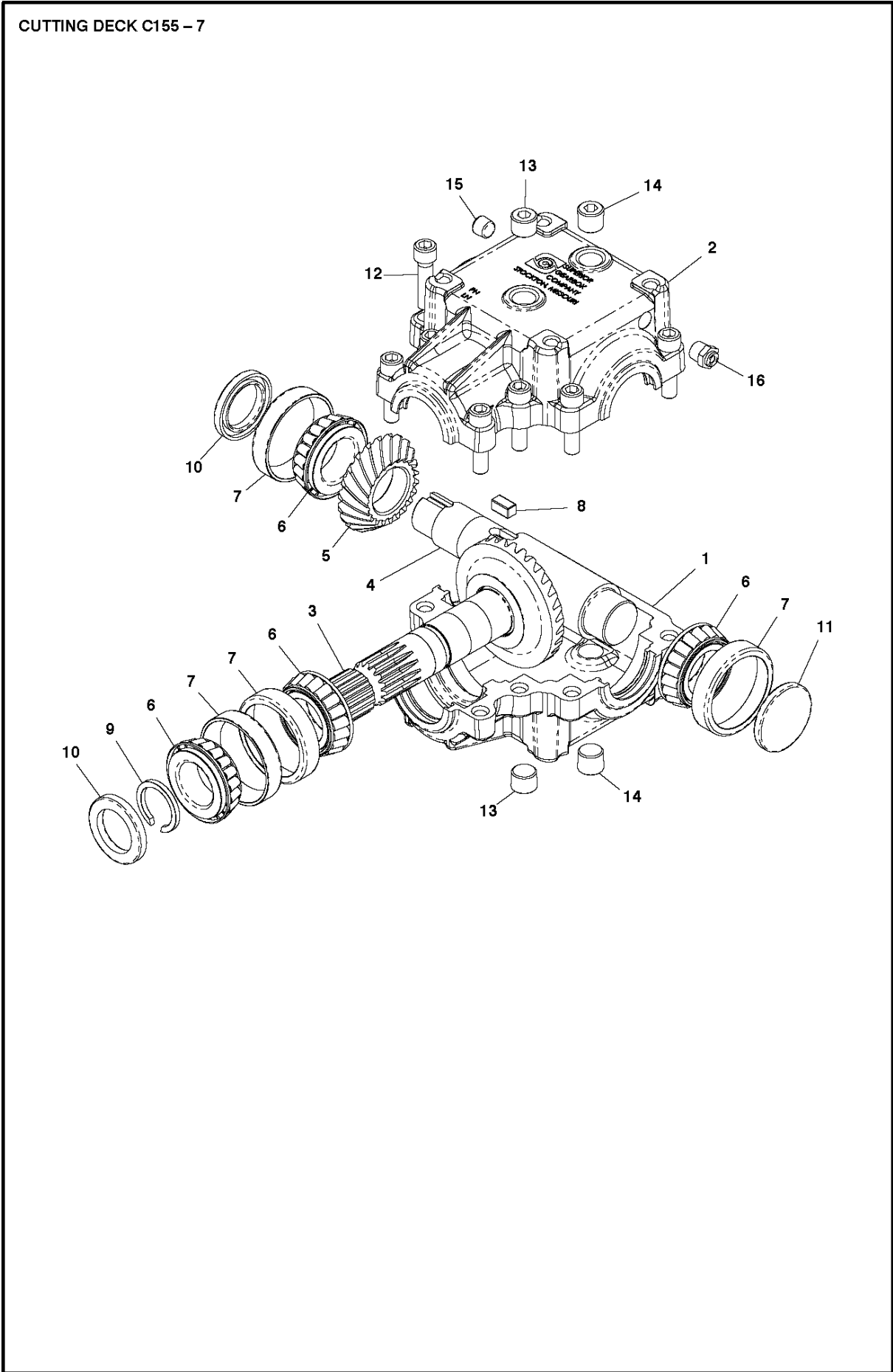
Ref	Part No	Description	Remark	QTY KIT
1	586 22 42-01	CROSSBAR		1
2	579 59 59-01	COTTER		2
3	579 50 34-01	SPRING		2
4	735 31 13-20	E-CLIP		2
5	576 64 57-05	NUT FLANGE		8
6	586 36 70-01	COTTER		2
7	535 42 38-05	SCREW RSQM		2
8	576 64 57-04	NUT FLANGE		2
9	586 22 43-01	STAY		1
10	521 90 35-01	KNOB		1
11	586 22 51-01	SPRING		1
12	506 57 01-08	SCREW EHHFM		1
13	721 68 02-51	SPRING COTTER		1
14	506 95 17-04	ROD END		1
15	731 23 22-01	HEXAGON NUT		1
16	576 65 48-05	SCREW EHHFM		1
17	576 64 57-06	NUT FLANGE		3
18	586 22 53-01	GUIDE PLATE		1
19	586 22 53-02	GUIDE PLATE		1
20	587 96 19-02	SCREW ITXCSFM		6
21	506 89 58-01	COLLAR SCREW		2
22	587 63 94-01	SPRING WASHER		2
23	586 23 74-01	LOCKING PLATE		1
24	586 23 74-02	LOCKING PLATE		1
25	586 23 73-01	LOCKING BOLT		2
26	586 54 22-01	SPRING WASHER		2
27	586 54 29-01	FIXING WASHER		2
28	588 14 42-01	SUPPORT SHEET		1
29	576 82 31-01	WASHER		2
30	506 67 54-01	SCREW EHHFM		2
31	738 88 10-01	LUBRICATION NIPPLE		1



## 61"/155CM CUTTING DECK

CUTTING DECK C155, 967293901, 2015-01

Ref	Part No	Description	Remark	QTY KIT
1	587 70 35-01	COTTER		2
2	535 42 38-05	SCREW RSQM		2
3	576 64 57-04	NUT FLANGE		2
4	586 87 02-01	ROLLER		1
5	586 98 98-01	SPRING		1
6	734 11 78-01	WASHER		1
7	544 22 10-01	SCREW EHHM		1
8	576 64 57-06	NUT FLANGE		1
9	544 25 21-02	ANTIVIBRATION ELEMENT		2
10	586 31 61-01	SLEEVE		2
11	586 31 65-01	DISTANCE		4
12	725 24 69-51	SCREW EHHM		2
13	586 23 59-01	COVER		1
14	586 23 63-01	HOLDER ASSY		2
15	574 85 62-02	SCREW		4
16	586 55 52-01	STAY		1



## 61"/155CM CUTTING DECK

CUTTING DECK C155, 967293901, 2015-01

Ref	Part No	Description	Remark	QTY KIT
1	588 42 19-01	HOUSING		1
2	588 42 20-01	HOUSING		1
3	588 42 21-01	SHAFT		1
4	588 42 22-01	SHAFT		1
5	588 42 23-01	GEAR		1
6	588 42 24-01	BEARING		4
7	588 42 25-01	BEARING RING		4
8	588 42 26-01	KEY		1
9	588 42 27-01	RETAINER RING		1
10	588 42 28-01	SEAL		2
11	588 42 29-01	CAP		1
12	588 42 30-01	BOLT		8
13	588 42 31-01	PLUG		2
14	588 42 32-01	PLUG		2
15	588 42 33-01	PLUG		1
16	588 42 35-01	PLUG		6