

ILLUSTRATED PARTS LIST

BRAND: HUSQVARNA

ROTARY LAWN MOWER

MODEL NUMBER: HU550FH

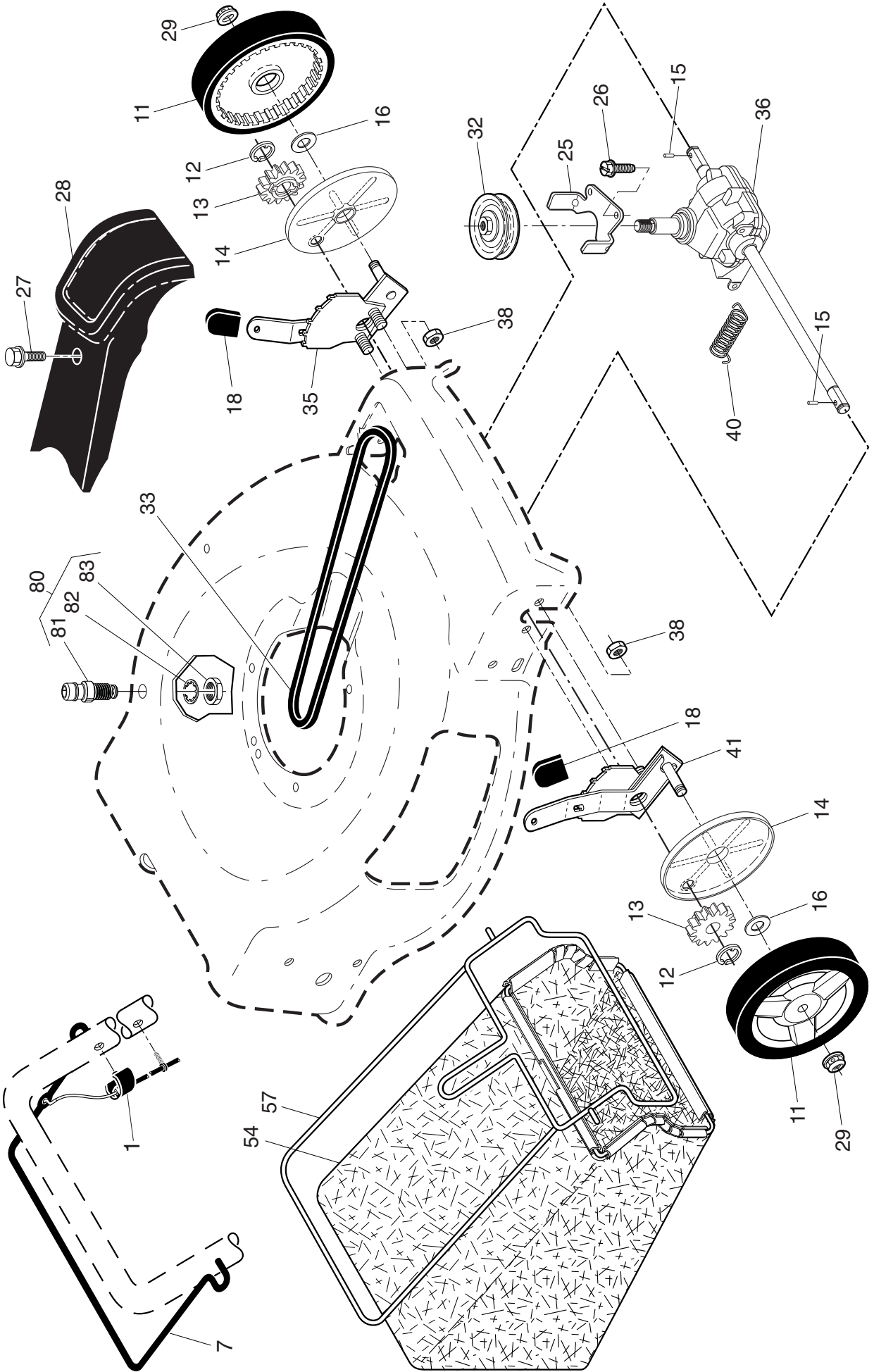
MFG. ID. NUMBER: 96143009605

HUSQVARNA ROTARY LAWN MOWER - MODEL NUMBER HU550FHH (MFG. ID. NUMBER 96143009605)

KEY NO.	PART NO.	DESCRIPTION	KEY NO.	PART NO.	DESCRIPTION
1	585 86 48-06	Upper Handle	43	532 43 81-30	Nut, Hex, Nylock
2	532 42 09-39	Engine Zone Control Cable	44	581 69 08-01	Kit, Lawn Mower Housing
3	532 43 00-34	Bracket, Upstop	45	532 17 56-50	Rod, Hinge
4	532 14 50-06	Guide, Cable	46	581 35 24-01	Blade Adapter / Pulley
6	532 18 23-98	Handle Knob, Star	47	532 42 04-63	Blade, 22"
7	532 17 88-48	Screw, Hex Washer Head #10-16 x 5/8	48	532 85 10-74	Washer, Hardened
8	587 47 83-02	Control Bar	49	532 85 02-63	Washer, Helical
9	532 43 59-17	Rear Door Assembly	50	532 85 10-84	Screw, Machine, Hex Head 3/8-24 x 1-3/8 Grade 8
11	532 42 55-75	Hairpin	51	532 43 05-99	Front Baffle
12	532 19 19-38	Handle Knob, Standard	52	532 40 47-63	Decal, Danger
13	532 43 75-16	Plug, Lower Handle Bar	53	817 00 05-10	Screw, Hex Head 5/16
17	532 42 73-07	Rear Baffle	54	532 08 83-48	Washer, Flat
18	581 91 26-01	T-Knob	55	532 19 17-30	Nut, Hex, Flanged 1/4-20
19	581 90 21-01	Rope Guide	56	817 41 13-12	Screw, Hex Washer Head #13 x 3/4
20	532 42 91-57	Rear Skirt	57	532 15 53-77	Locknut, Hex 5/16-18
21	532 41 99-49	Spring, Rear Door, LH, Black	58	585 90 82-03	Bar, Lower Handle
22	532 14 18-41	Screw, Pan Head, Torx #20	59	532 19 15-74	Handle Bolt
24	532 41 99-48	Spring, Rear Door, RH, Grey	62	532 43 50-59	Belt Retainer
25	532 40 91-49	Nut, Hex, Flanged	64	- - -	Engine, Briggs & Stratton, Model Number 9P702-0177-F1 (For engine service and replacement parts, call Briggs & Stratton at 1-800-233-3723)
26	532 41 99-45	Screw, Rear Door/Handle Pivot			O-Ring
27	585 91 10-01	Wheel & Tire Assembly, Rear	65	532 19 74-80	Wheel Adjuster Assembly, LH
28	586 21 25-01	Bolt, Carriage 5/16-18 x 5/8	68	532 43 11-41	Screw
31	532 70 10-37	Selector Knob	83	532 75 00-97	Fastener, Push
32	532 44 11-92	Latch, Mulcher Door	84	532 42 81-24	Bracket, Skirt Mounting
33	532 41 99-27	Mulcher Door	85	532 43 45-30	Clip, Cable
34	532 43 81-34	Pivot Bracket	96	532 19 79-91	Bag of Hardware
35	532 43 11-40	Wheel Adjuster Assembly, RH	- -	532 42 38-49	(Includes Key Numbers 12 and 59)
36	532 17 57-35	Hinge Bracket Assembly			Operator's Manual, English / Spanish
38	532 42 61-29	Discharge Deflector			Operator's Manual, French
39	585 90 07-03	Handle Bracket, LH			
40	585 90 08-03	Handle Bracket, RH	- -	115 63 07-96	
41	532 15 04-06	Screw, Dogpoint 3/8-16 x 1-1/8	- -	115 63 07-32	
42	532 19 30-00	Spring, Torston			

NOTE: All component dimensions given in U.S. inches. 1 inch = 25.4 mm. **IMPORTANT:** Use only Original Equipment Manufacturer (O.E.M.) replacement parts. Failure to do so could be hazardous, damage your lawn mower and void your warranty.

HUSQVARNA ROTARY LAWN MOWER - MODEL NUMBER HU550FH (MFG. ID. NUMBER 96143009605)



HUSQVARNA ROTARY LAWN MOWER - MODEL NUMBER HU550FHH (MFG. ID. NUMBER 96143009605)

KEY NO.	PART NO.	DESCRIPTION	KEY NO.	PART NO.	DESCRIPTION
1	532 42 05-62	Drive Control Assembly (Includes Cable)	32	586 98 97-01	Drive Pulley
7	532 19 84-53	Control Bar, Drive	33	532 19 68-53	V-Belt
11	532 41 10-81	Wheel & Tire Assembly, Front	35	581 49 79-08	Wheel Adjuster Assembly, LH (Includes Bearing)
12	812 00 00-58	E-Ring	36	532 42 47-41	Gear Case Assembly, Complete
13	532 40 38-49	Pinion	38	532 43 81-30	Locknut, Hex 1/4-20
14	581 84 04-01	Dust Cover	40	532 40 65-58	Spring
15	532 40 48-45	Pawl, Drive	41	581 49 79-07	Wheel Adjuster Assembly, RH (Includes Bearing)
16	532 06 77-25	Washer, Flat 3/8	54	580 94 73-15	Grassbag
18	532 70 10-37	Selector Knob	57	585 05 47-02	Frame, Grassbag
25	532 43 17-11	Belt Guide Bracket	80	532 43 84-89	Water Washout Assembly
26	532 16 34-09	Screw, Hi-Lo Thread #12 x 5/8	81	532 43 49-94	Fitting, Hose, Water Washout
27	532 17 52-62	Screw	82	532 41 55-85	Washer, Lock, Internal Tooth
28	586 69 18-01	Drive Cover Assembly	83	532 41 55-86	Locknut, Hex, with O-Ring
29	532 40 91-48	Locknut, Hex			

NOTE: All component dimensions given in U.S. inches. 1 inch = 25.4 mm. **IMPORTANT:** Use only Original Equipment Manufacturer (O.E.M.) replacement parts. Failure to do so could be hazardous, damage your lawn mower and void your warranty.