

Gasoline containing up to 10% ethanol (E10) is acceptable for use in this machine. The use of any gasoline exceeding 10% ethanol (E10) will void the product warranty.

Parts Manual

M-ZT61 / 967177010



Please read the operator manual carefully and make sure you understand the instructions before using the machine.

When you need spare parts or support in service questions, warranty issues, etc., please consult the following professional:

| | | |
|---|--------|--------------|
| | | |
| This manual belongs to the machine with the manufacturing number: | Engine | Transmission |

Manufacturing Number

The machine's manufacturing number can be found on the printed plate affixed to the engine compartment.

Stated on the plate, from the top are:

- The machine's type designation (I.D.).
- The manufacturer's type number (Model).
- The machine's serial number (Serial no.)

Please have the type designation and serial number available when ordering spare parts.

The engine's manufacturing number is stamped on one of the valve covers.

The plate states:

- The engine's model.
- The engine's type.
- Code

Please have these available when ordering spare parts.

The wheel motors and hydrostatic pumps have a barcode decal affixed at the rear.

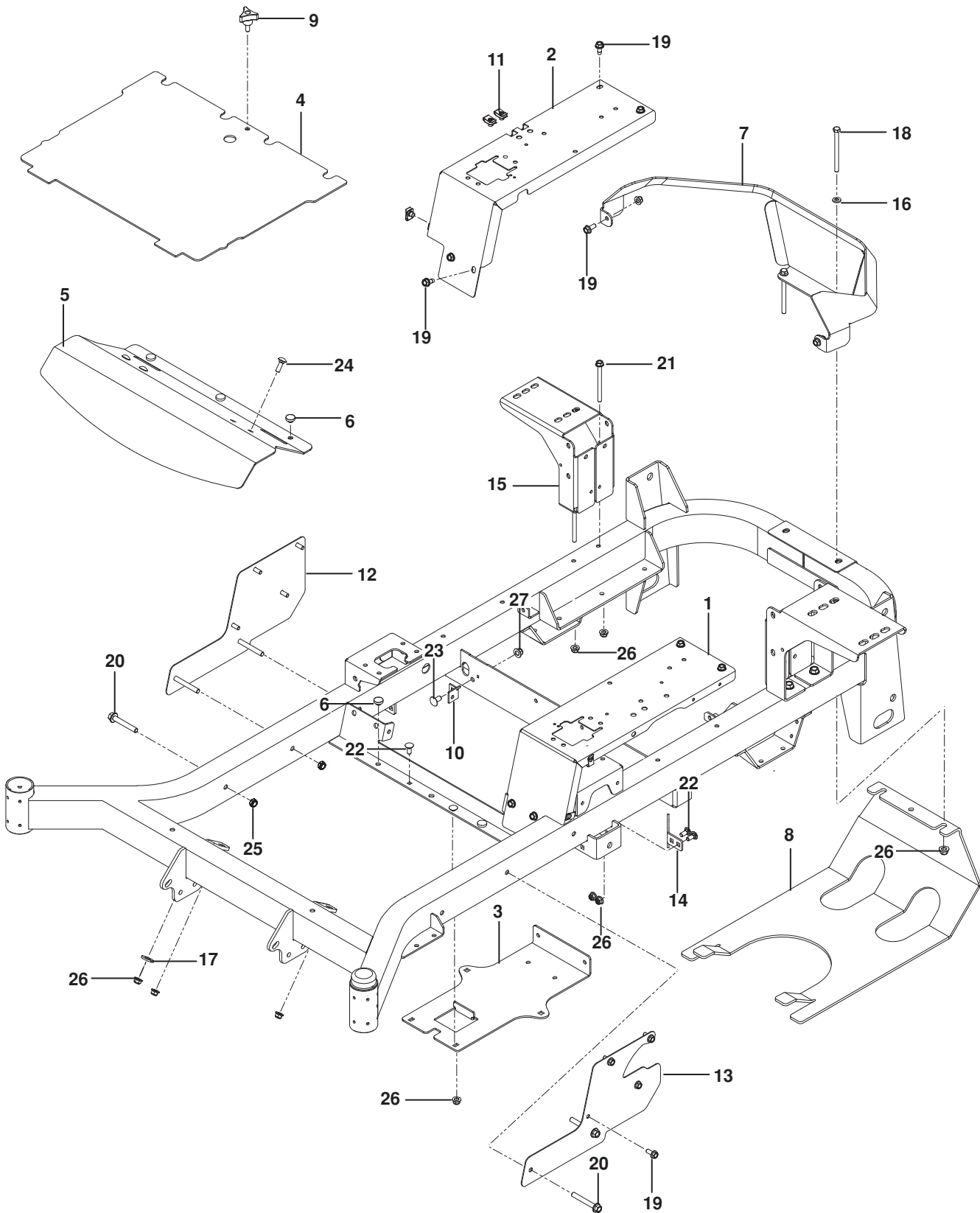
| | |
|------------------------------|------------|
| Accessories Available | |
| Collection System..... | 966 793003 |
| Mulch Kit..... | 965 894002 |

CONTENTS

| | |
|---------------------------------|----|
| FRAME | 4 |
| ENGINE PLATE..... | 6 |
| STEERING | 8 |
| IGNITION..... | 10 |
| PARKING BRAKE | 12 |
| HYDRAULIC PUMP-MOTOR..... | 14 |
| WHEELS | 16 |
| MOWER LIFT / DECK LIFT..... | 18 |
| MOWER DECK / CUTTING DECK | 20 |
| SEAT | 22 |
| DECALS | 24 |
| PROTECTION FRAME | 26 |
| ACCESSORIES | |
| Blower | 28 |
| Chutes..... | 30 |
| Bagger | 32 |
| Mount, Guard, Belt..... | 34 |
| Mulch Kit | 36 |

NOTE: ALL FASTENERS ARE GRADE 5 UNLESS OTHERWISE SPECIFIED.

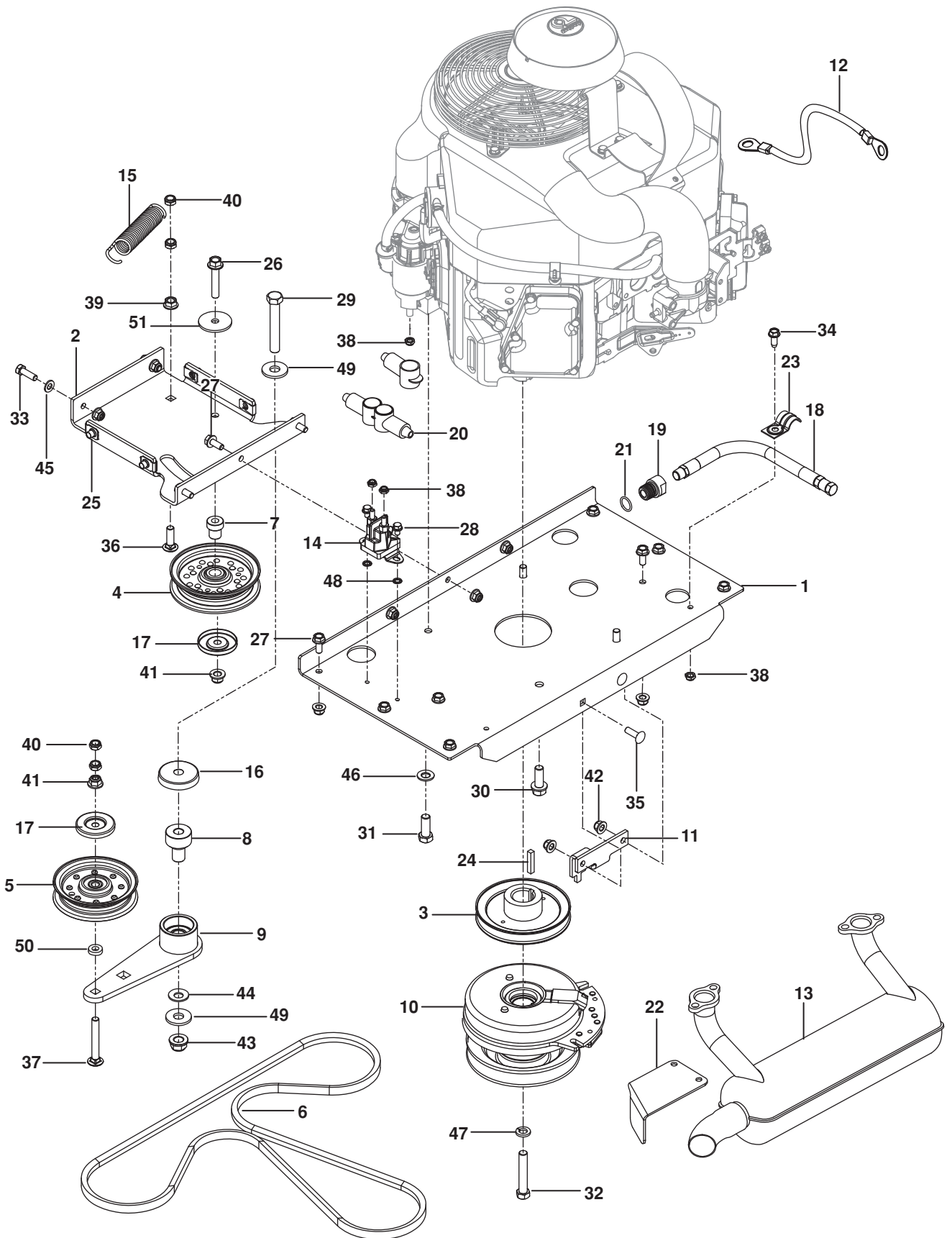
FRAME



FRAME

| ITEM | PART NO. | QTY. | DESCRIPTION | ITEM | PART NO. | QTY. | DESCRIPTION |
|------|----------------|------|-------------------------------|------|----------------|------|---|
| 1.. | 577 256802.... | 1 | PANEL, FILLER LT ORG | 15.. | 575 533602.... | 2 | MOUNT, TANK BLK |
| 2.. | 577 256902.... | 1 | PANEL, FILLER RT ORG | 16.. | 539 990188.... | 2 | WASHER $\frac{5}{16}$ SAE FLT |
| 3.. | 575 017202.... | 1 | PLATE, BATTERY ORG | 17.. | 539 109554.... | 1 | WASHER $\frac{1}{2}$ FLT |
| 4.. | 539 132744.... | 1 | PLATE w/ SAFTY DECAL ORG | 18.. | 539 102335.... | 2 | HCS $\frac{5}{16}$ -18 x 4 |
| 5.. | 539 132380.... | 1 | PLATE, FOOTREST ORG | 19.. | 525 464701.. | 16 | HHFS $\frac{5}{16}$ -18 x $\frac{3}{4}$ |
| 6.. | 539 102587.... | 7 | GROMMET, BUMPER | 20.. | 539 131781.... | 5 | HHFS $\frac{3}{8}$ -16 x $2\frac{3}{4}$ |
| 7.. | 575 348402.... | 1 | GUARD, REAR | 21.. | 539 131780.... | 4 | HHFS $\frac{5}{16}$ -18 x $3\frac{3}{4}$ |
| 8.. | 521 921805.... | 1 | GUARD, SKID | 22.. | 539 990316.... | 6 | RHSNB $\frac{5}{16}$ -18 x $\frac{3}{4}$ |
| 9.. | 539 104411.... | 1 | KNOB w/ STUD | 23.. | 539 109117.... | 2 | RHSNB $\frac{3}{8}$ -16 x $\frac{3}{4}$ |
| 10.. | 575 245202.... | 2 | BRACKET, DAMPENER BLK | 24.. | 539 990208.... | 3 | RHSNB $\frac{5}{16}$ -18 x 1 |
| 11.. | 539 104763.... | 8 | RETAINER-U TYPE | 25.. | 539 200282.... | 5 | NUT $\frac{3}{8}$ -16 HEX JAM NYLOC |
| 12.. | 577 259801.... | 1 | SIDE, LT BLK | 26.. | 539 112899.. | 17 | NUT $\frac{5}{16}$ -18 HEX FLG NYLOC |
| 13.. | 577 259701.... | 1 | SIDE, RT BLK | 27.. | 521 996501.... | 2 | NUT $\frac{3}{8}$ -16 HEX FLG NYLOC |
| 14.. | 505 256401.... | 2 | STOP, DECK | | | | |

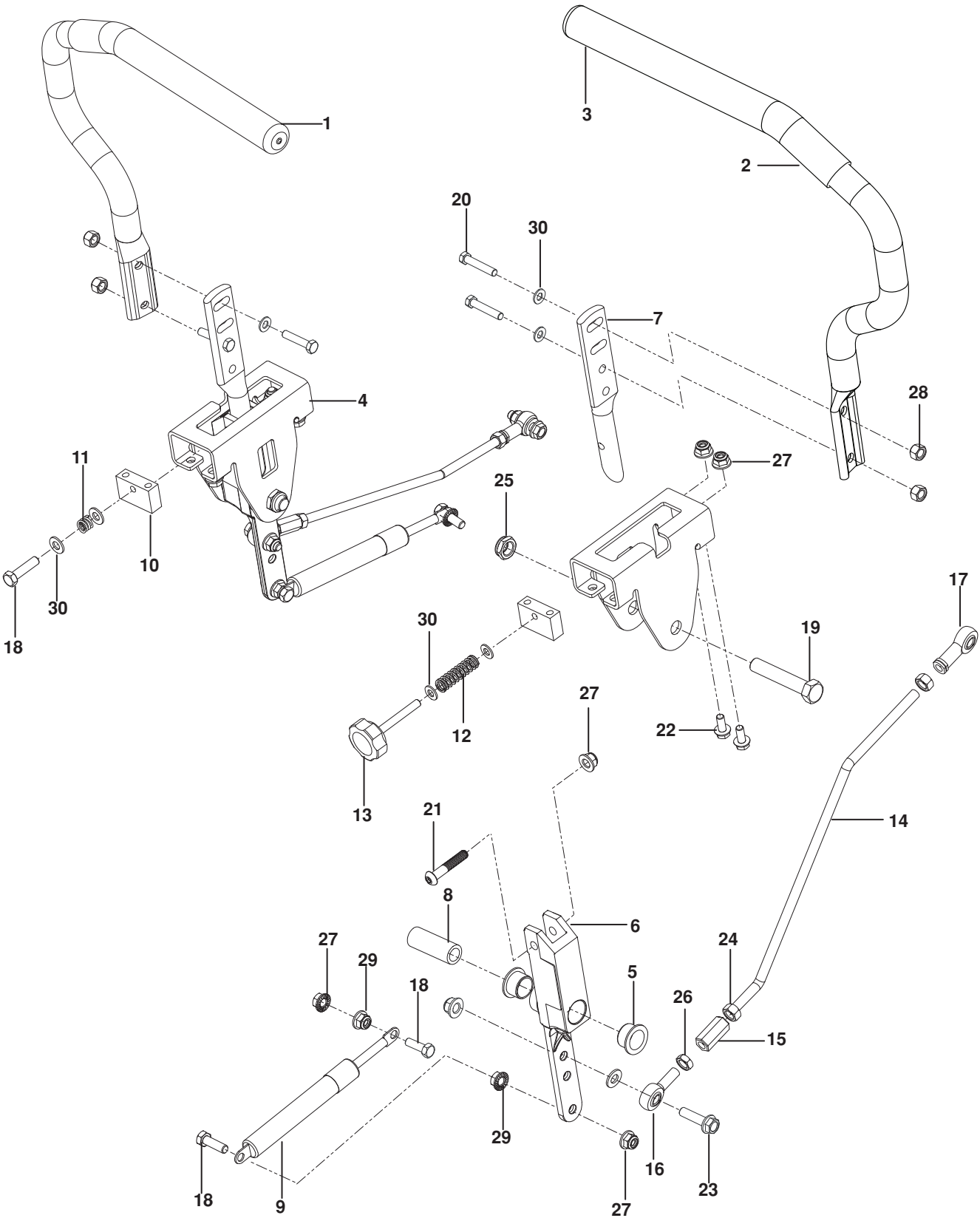
ENGINE PLATE



ENGINE PLATE

| ITEM | PART NO. | QTY. | DESCRIPTION | ITEM | PART NO. | QTY. | DESCRIPTION |
|------|----------------|------|------------------------------|--|----------------|------|---------------------------------|
| 1.. | 574 846302.... | 1 | PLATE, ENGINE BLK | 28.. | 539 990302.... | 2 | SCREW 1/4-20 x 8 THD FRM |
| 2.. | 574 846402.... | 1 | PLATE, IDLER BLK | 29.. | 539 103433.... | 1 | HCS 1/2-13 x 3 1/4 |
| 3.. | 574 811001.... | 1 | PULLEY, V 1 1/8 BORE | 30.. | 539 990582.... | 1 | HCS 3/8-16 x 1 WHIZLK |
| 4.. | 539 976688.... | 1 | PULLEY, IDLER | 31.. | 539 990563.... | 3 | HCS 3/8-16 x 1 |
| 5.. | 532 175820.... | 1 | PULLEY, IDLER SECONDARY | 32.. | 581 332802.... | 1 | HCS 7/16-20 x 2 1/2 |
| 6.. | 574 870901.... | 1 | BELT | 33.. | 539 990209.... | 2 | HCS 5/16-18 x 1 |
| 7.. | 525 435601.... | 1 | PIVOT, IDLER | 34.. | 539 990071.... | 1 | HCS 1/4-20 x 1/2 |
| 8.. | 510 206301.... | 1 | PIVOT, BEARING | 35.. | 539 107271.... | 2 | RHSNB 5/16-18 x 1 |
| 9.. | 510 041603.... | 1 | ARM, IDLER w/ BEARINGS | 36.. | 539 100413.... | 1 | RHSNB 3/8-16 x 1 1/4 |
| 10.. | 574 607001.... | 1 | CLUTCH, 200 FT-LB | 37.. | 539 130235.... | 1 | RHSNB 3/8-16 x 2 3/4 |
| 11.. | 575 017302.... | 1 | STOP, CLUTCH | 38.. | 539 108120.... | 3 | NUT 1/4-20 HEX THIN |
| 12.. | 539 102757.... | 1 | CABLE, POSITIVE | 39.. | 539 990613.... | 1 | NUT 3/8-16 HEX WHIZLK |
| 13.. | 525 750201.... | 1 | MUFFLER | 40.. | 539 200282.... | 4 | NUT 3/8-16 HEX JAM NYLOC |
| 14.. | 539 101714.... | 1 | SOLENOID | 41.. | 521 996501.... | 2 | NUT 3/8-16 HEX FLANGE NYL |
| 15.. | 510 254401.... | 1 | SPRING, PUMP | 42.. | 539 112899.. | 15 | NUT 5/16-18 HEX FLANGE NYL |
| 16.. | 539 114662.... | 1 | SHIELD, DUST | 43.. | 521 991101.... | 1 | NUT 1/2-13 HEX FLANGE NYL |
| 17.. | 510 254501.... | 2 | SHIELD, DUST | 44.. | 539 115528.... | 1 | WASHER 1/2" BELLEVILLE |
| 18.. | 584 825501.... | 1 | HOSE, DRAIN | 45.. | 539 990188.... | 2 | WASHER 5/16 SAE FLAT |
| 19.. | 539 119680.... | 1 | ADAPTER, OIL DRAIN | 46.. | 539 102593.... | 4 | WASHER 3/8 SPRING |
| 20.. | 539 102759.... | 3 | INSULATOR | 47.. | 539 990247.... | 1 | WASHER 7/16 SLW |
| 21.. | 539 109618.... | 1 | O-RING | 48.. | 539 990053.... | 2 | WASHER 1/4 INT TOOTH LK |
| 22.. | 579 150901 | 1 | SHIELD, MUFFLER | 49.. | 539 109554.... | 2 | WASHER 1/2 FLAT ZD |
| 23.. | 539 101363.... | 1 | CLAMP | 50.. | 539 109562.... | 1 | WASHER 3/8 x 3/4 |
| 24.. | 539 912757.... | 1 | KEY 1/4 SQ x 1 1/4 | 51.. | 539 111897.... | 1 | WASHER, SPECIAL |
| 25.. | 539 104763.... | 4 | RETAINER, U TYPE | NOT SHOWN | | | |
| 26.. | 874 490632.... | 1 | HHFS 3/8-16 x 2 | 575 018301.... 1 KAWASAKI PIGTAIL | | | |
| 27.. | 874 490512.. | 11 | HHFS 5/16-18 x 3/4 | | | | |

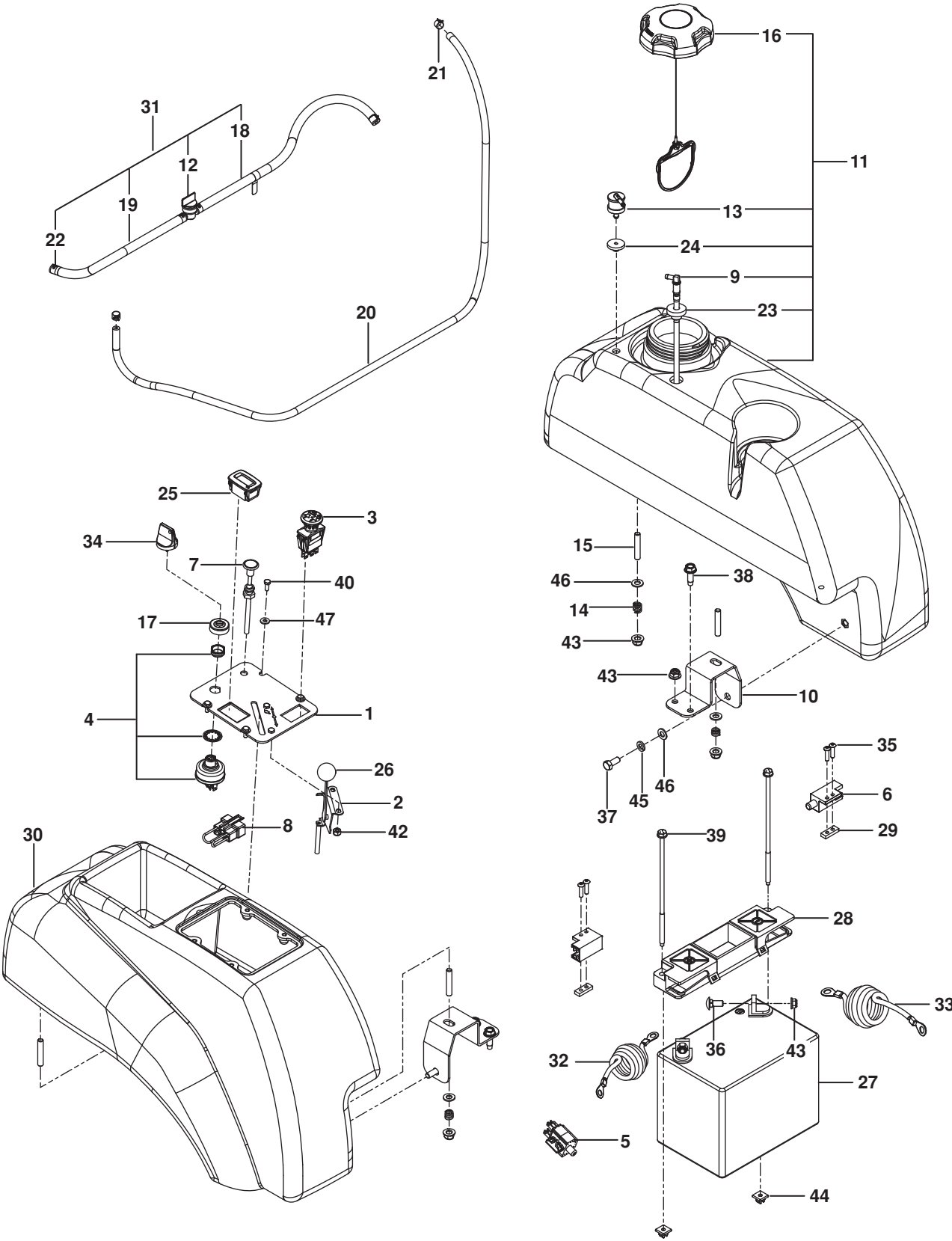
STEERING



STEERING

| ITEM | PART NO. | QTY. | DESCRIPTION | ITEM | PART NO. | QTY. | DESCRIPTION |
|------|-----------------|------|-----------------------|------|-----------------|------|--|
| 1.. | 539 132009....1 | | LEVER w/ GRIP RT | 16.. | 539 116690....2 | | ROD END LT |
| 2.. | 539 132010....1 | | LEVER w/ GRIP LT | 17.. | 539 115729....2 | | ROD END RT |
| 3.. | 539 130894....2 | | GRIP, FOAM | 18.. | 539 990627....5 | | HCS $\frac{5}{16}$ -18 x $1\frac{1}{4}$ |
| 4.. | 577 251701....2 | | BRACKET, CONTROL | 19.. | 539 101332....2 | | HCS $\frac{1}{2}$ -13 x $2\frac{3}{4}$ |
| 5.. | 539 131518....4 | | BEARING, FLANGE | 20.. | 539 976935....4 | | HCS $\frac{5}{16}$ -18 x $1\frac{1}{2}$ |
| 6.. | 576 140301....2 | | LEVER, CONTROL | 21.. | 576 850402....2 | | SCREW $\frac{5}{16}$ -18 X $1\frac{3}{4}$ BTN HD |
| 7.. | 577 420001....2 | | LEVER, HANDLE | 22.. | 525 464701....8 | | HHFS $\frac{5}{16}$ -18 X $\frac{3}{4}$ |
| 8.. | 577 252401....2 | | SPACER, PIVOT CONTROL | 23.. | 525 544001....4 | | HHFS $\frac{5}{16}$ -18 x $1\frac{1}{4}$ TPBLT |
| 9.. | 539 102720....2 | | DAMPENER | 24.. | 539 990223....4 | | NUT $\frac{5}{16}$ -24 HEX |
| 10.. | 577 251801 ...2 | | BLOCK, TRACKING | 25.. | 539 108010....2 | | NUT $\frac{1}{2}$ -13 HEX JAM NYL GR2 |
| 11.. | 539 102845....1 | | SPRING | 26.. | 539 991073....2 | | NUT $\frac{5}{16}$ -24 HEX JAM LH |
| 12.. | 576 850301....1 | | SPRING | 27.. | 539 112899..10 | | NUT $\frac{5}{16}$ -18 HEX FLG NYLOC |
| 13.. | 539 131799....1 | | KNOB | 28.. | 539 990717....6 | | NUT $\frac{5}{16}$ -18 HEX NYLOC |
| 14.. | 574 811401....2 | | ROD, MOTION CONTROL | 29.. | 539 990585....4 | | NUT $\frac{5}{16}$ -18 HEX WHIZLK |
| 15.. | 539 116689....2 | | COUPLER, ROD END | 30.. | 539 990188..12 | | WASHER $\frac{5}{16}$ SAE FLT |

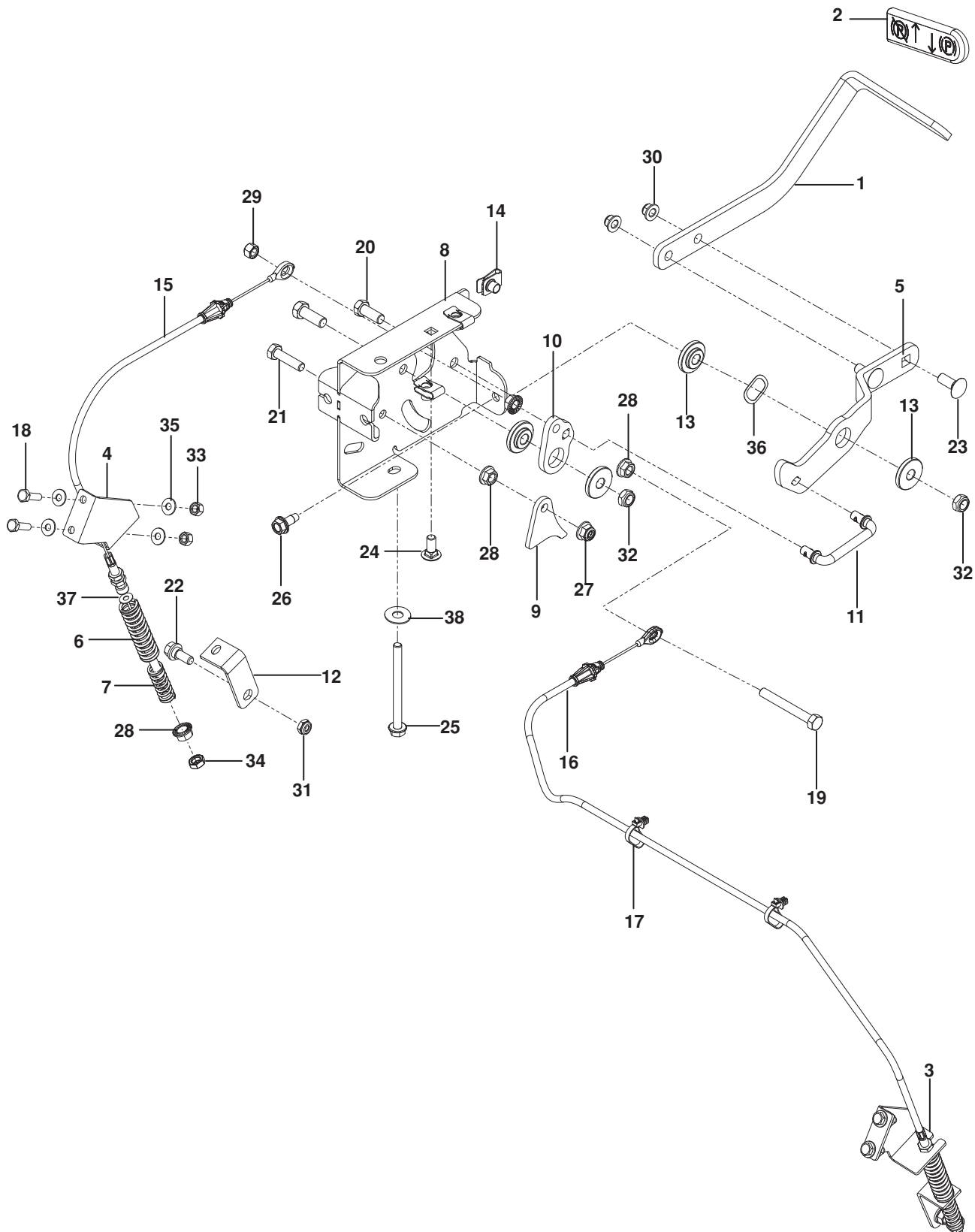
IGNITION



IGNITION

| ITEM | PART NO. | QTY. | DESCRIPTION | ITEM | PART NO. | QTY. | DESCRIPTION |
|------|----------------|------|-------------------------------|----------------|----------------|--------------------|---------------------------------|
| 1.. | 574 841204.... | 1 | PLATE, CONSOLE, BLK | 26.. | 539 133049.... | 1 | KNOB |
| 2.. | 539 112438.... | 1 | CABLE, THROTTLE | 27.. | 539 102436.... | 1 | BATTERY |
| 3.. | 539 131627.... | 1 | SWITCH, PTO 10 AMP | 28.. | 539 107628.... | 1 | GUARD, TERMINAL |
| 4.. | 574 455401.... | 1 | SWITCH, IGNITION | 29.. | 539 102678.... | 2 | PLATE, TAPPED |
| 5.. | 539 113792.... | 1 | SWITCH, BRAKE | 30.. | 539 107593.... | 1 | CONSOLE, RT |
| 6.. | 532 109553.... | 2 | SWITCH, INTERLOCK | 31.. | 586 123901.... | 1 | ASSY, FUEL LINE |
| 7.. | 574 206903.... | 1 | CHOKE CONTROL | 32.. | 539 104974.... | 1 | CABLE, POSITIVE 31" |
| 8.. | 575 321001.... | 1 | PLUG, TIMER | 33.. | 539 107645.... | 1 | CABLE, NEGATIVE 32" |
| 9.. | 576 469201.... | 1 | FITTING, FUEL | 34.. | 574 455501.... | 1 | KEY, IGNITION |
| 10.. | 539 131671.... | 2 | SUPPORT, TANK, BLK | 35.. | 574 822701.... | 4 | SCREW #10-24 x 3/4 SKT HD |
| 11.. | 585 722301.... | 1 | TANK ASSY LT | 36.. | 539 990316.... | 2 | RHSNB 5/16-18 x 3/4 |
| 12.. | 539 916325.... | 1 | VALVE, FUEL | 37.. | 539 976934.... | 2 | HCS 5/16-18 x 3/4 |
| 13.. | 576 618101.... | 1 | VALVE, FUEL CHECK | 38.. | 539 113226.... | 3 | BOLT 5/16-18 x 1 THD FRM |
| 14.. | 539 102845.... | 6 | SPRING | 39.. | 539 107632.... | 2 | BOLT 1/4 x 7 1/2 |
| 15.. | 539 102502.... | 6 | STUD 5/16-18 | 40.. | 539 990411.... | 6 | SCREW #10-24 x 1/2 SLT |
| 16.. | 575 018101.... | 1 | FUEL CAP w /TETHER | 41.. | 574 822701.... | 4 | SCREW #10-24 x 3/4 SKT HD |
| 17.. | 539 103178.... | 1 | CAP, IGNITION SWITCH NUT | 42.. | 539 976977.... | 2 | NUT #10-24 HEX NYLOC |
| 18.. | 539 107765.... | 1 | HOSE, FUEL 26" | 43.. | 539 112899.. | 12 | NUT 5/16-18 HEX FLANGE NYL |
| 19.. | 539 932956.... | 2 | HOSE, FUEL 10" | 44.. | 539 107629.... | 2 | NUT, NYLON PUSH |
| 20.. | 576 660609.... | 1 | HOSE 3/16 VAPOR 27" | 45.. | 539 990187.... | 2 | WASHER 5/16 SLW |
| 21.. | 575 436501.... | 2 | CLAMP, HOSE | 46.. | 539 990188.... | 8 | WASHER 5/16 SAE |
| 22.. | 539 912222.... | 4 | CLAMP, HOSE | 47.. | 539 105408.... | 4 | WASHER #10 |
| 23.. | 539 105245.... | 1 | GROMMET, RUBBER | NOT SHOWN | | | |
| 24.. | 584 648201.... | 1 | GROMMET, CHECK VALVE | 575 320901.... | 1 | HARNESS, MAIN | |
| 25.. | 586 161801.... | 1 | METER, SERVICE | | | | |

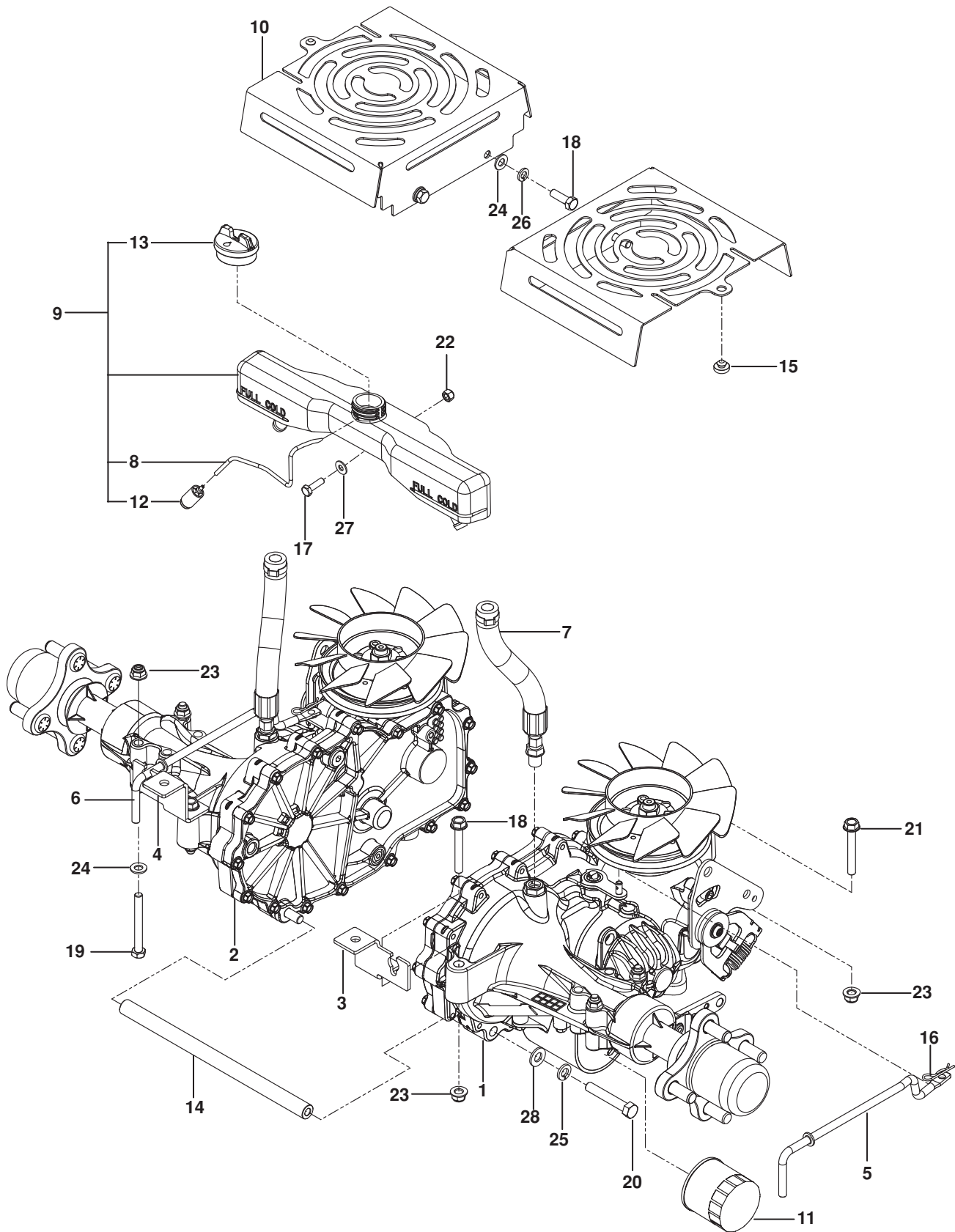
PARKING BRAKE



PARKING BRAKE

| ITEM | PART NO. | QTY. | DESCRIPTION | ITEM | PART NO. | QTY. | DESCRIPTION |
|------|----------------|------|--|------|----------------|------|--|
| 1.. | 539 132151.... | 1 | ARM, BRAKE | 20.. | 539 990563.... | 2 | HCS $\frac{3}{8}$ -16 x 1 |
| 2.. | 539 105036.... | 1 | GRIP, BRAKE HANDLE | 21.. | 539 990209.... | 1 | HCS $\frac{5}{16}$ -18 x 1 |
| 3.. | 575 229602.... | 1 | BRACKET, RT BLK | 22.. | 539 110303.... | 2 | BOLT $\frac{5}{16}$ SHOULDER |
| 4.. | 575 229702.... | 1 | BRACKET, LT BLK | 23.. | 539 990645.... | 2 | RHSNB $\frac{3}{8}$ -16 x 1 |
| 5.. | 539 132423.... | 1 | LEVER, BRAKE | 24.. | 539 990316.... | 1 | RHSNB $\frac{5}{16}$ -18 x $\frac{3}{4}$ |
| 6.. | 575 230201.... | 2 | SPRING, RETURN | 25.. | 539 131780.... | 1 | HHFS $\frac{5}{16}$ -18 x $3\frac{3}{4}$ |
| 7.. | 575 230301.... | 2 | SPRING, ENGAGEMENT | 26.. | 539 107475.... | 1 | BOLT $\frac{5}{16}$ -18 x $\frac{3}{4}$ THD FRM |
| 8.. | 539 132158.... | 1 | MOUNT, BRAKE | 27.. | 539 112899.... | 4 | NUT $\frac{5}{16}$ -18 FLANGE NYLOC |
| 9.. | 539 132154.... | 1 | ACTUATOR, SWITCH | 28.. | 539 990585.... | 5 | NUT $\frac{5}{16}$ -18 HEX WHIZLK |
| 10.. | 539 132153.... | 1 | BELLCRANK, BRAKE | 29.. | 539 990717.... | 1 | NUT $\frac{5}{16}$ -18 HEX NYLOC |
| 11.. | 539 132424.... | 1 | LINKAGE, BRAKE | 30.. | 521 996501.... | 2 | NUT $\frac{3}{8}$ -16 HEX FLG NYLOC |
| 12.. | 575 229802.... | 2 | BRACKET, BRAKE | 31.. | 539 115617.... | 2 | NUT $\frac{5}{16}$ HEX NYLOC |
| 13.. | 539 132161.... | 4 | BUSHING, BRAKE | 32.. | 539 200282.... | 2 | NUT $\frac{3}{8}$ -16 HEX JAM NYLOC |
| 14.. | 539 104763.... | 3 | RETAINER, U TYPE $\frac{5}{16}$ -18 | 33.. | 539 976978.... | 4 | NUT $\frac{1}{4}$ -20 HEX NYLOC |
| 15.. | 539 132173.... | 1 | CABLE, BRAKE SHORT | 34.. | 539 107897.... | 2 | NUT $\frac{5}{16}$ -18 HEX JAM |
| 16.. | 539 132174.... | 2 | CABLE, BRAKE LONG | 35.. | 539 990055.... | 8 | WASHER $\frac{1}{4}$ SAE FLT |
| 17.. | 505 280001.... | 2 | TIE w/ CLIP | 36.. | 539 133007.... | 1 | WASHER .825 WAVE |
| 18.. | 539 990643.... | 4 | HCS $\frac{1}{4}$ -20 x $\frac{7}{8}$ | 37.. | 539 990122.... | 2 | WASHER $\frac{3}{8}$ SAE |
| 19.. | 539 108396.... | 1 | HCS $\frac{5}{16}$ -18 x $2\frac{1}{2}$ TPBLT | 38.. | 539 109554.... | 1 | WASHER $\frac{1}{2}$ FLT |

HYDRAULIC PUMP-MOTOR

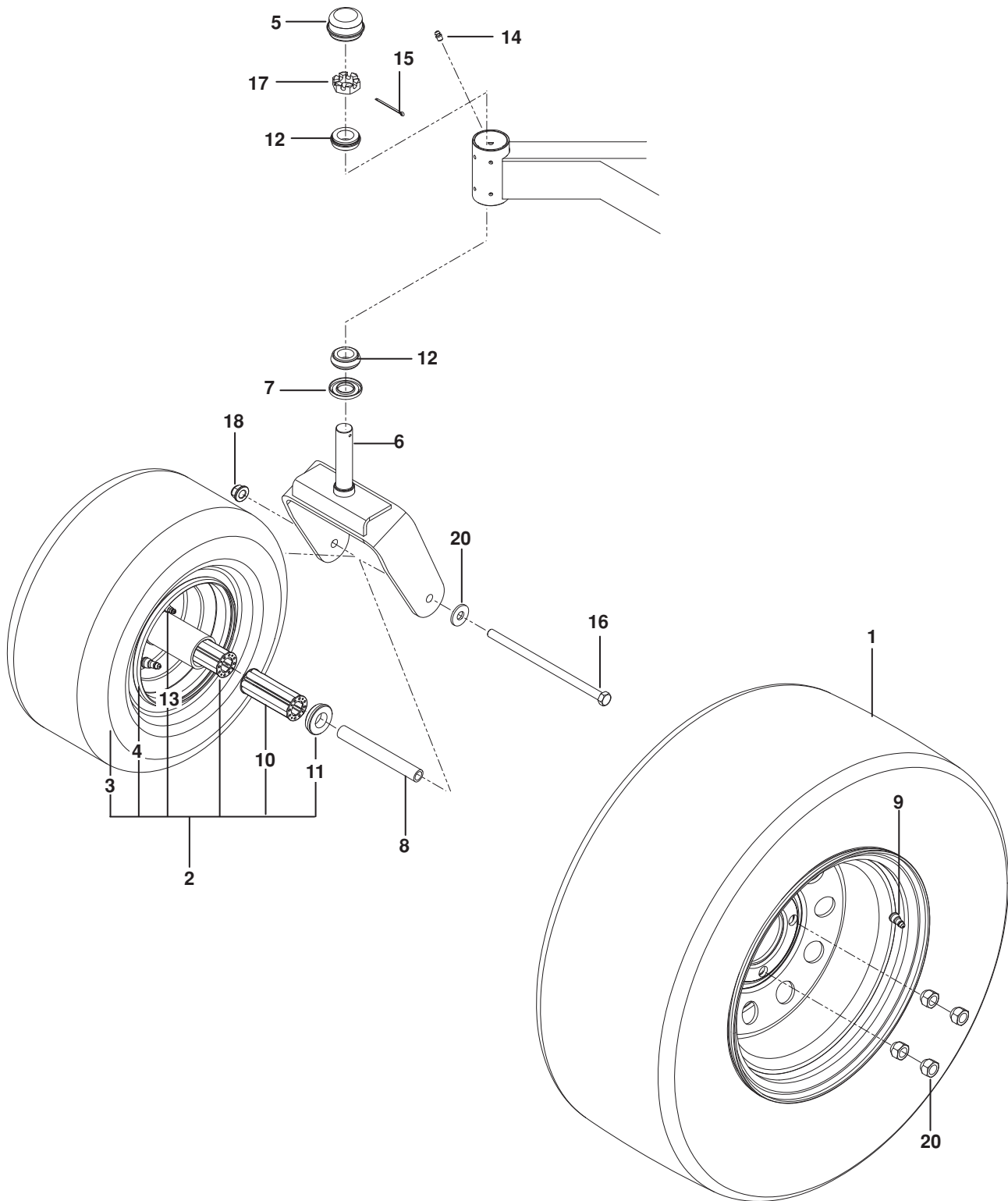


HYDRAULIC PUMP-MOTOR

| ITEM | PART NO. | QTY. | DESCRIPTION |
|------|----------------|--------|--|
| 1.. | 574 569101.... | 1 | TRANS, ZT-3400, LT |
| 2.. | 574 569102.... | 1 | TRANS, ZT-3400, RT |
| 3.. | 575 017102.... | 1 | BRACKET, TRANS, LT |
| 4.. | 575 017002.... | 1 | BRACKET, TRANS, RT |
| 5.. | 539 131616.... | 1 | LINKAGE, BYPASS LT |
| 6.. | 539 131618.... | 1 | LINKAGE, BYPASS RT |
| 7.. | 574 892101.... | 2 | HOSE, EXPANSION |
| 8.. | 586 067501.... | 1 | HOSE, FUEL |
| 9.. | 585 318201.... | 1 | TANK, EXPANSION |
| 10.. | 584 994202.... | 2 | COVER, FAN |
| 11.. | 539 113466.... | 2 | FILTER, HYDRO |
| 12.. | 530 095646.... | 1 | FILTER |
| 13.. | 586 072701.... | 1 | CAP, TANK |
| 14.. | 574 868501.... | 1 | TUBE 10 ³ / ₈ " SPACER |

| ITEM | PART NO. | QTY. | DESCRIPTION |
|------|----------------|--------|--|
| 15.. | 539 102587.... | 2 | GROMMET, BUMPER |
| 16.. | 539 976988.... | 2 | HAIRPIN COTTER |
| 17.. | 539 990643.... | 1 | HCS 1/4-20 x 7/8 |
| 18.. | 539 990209.... | 4 | HCS 5/16-18 x 1 |
| 19.. | 539 101721.... | 4 | HCS 5/16-18 x 2 ³ / ₄ |
| 20.. | 539 108551.... | 2 | HCS 3/8-16 x 2 ¹ / ₂ GR8 |
| 21.. | 574 233801.... | 4 | HHFS 5/16-18 x 2 ¹ / ₄ |
| 22.. | 539 976978.... | 1 | NUT 1/4-20 HEX NYLOC |
| 23.. | 539 112899.... | 8 | NUT 5/16-18 HEX FLG NYLOC |
| 24.. | 539 990188.... | 8 | WASHER 5/16 SAE FLT |
| 25.. | 539 990118.... | 2 | WASHER 3/8 SPLT LK |
| 26.. | 539 990187.... | 4 | WASHER 5/16 SLW |
| 27.. | 539 990055.... | 1 | WASHER 1/4 SAE FLT |
| 28.. | 539 990122.... | 2 | WASHER 3/8 SAE FLT |

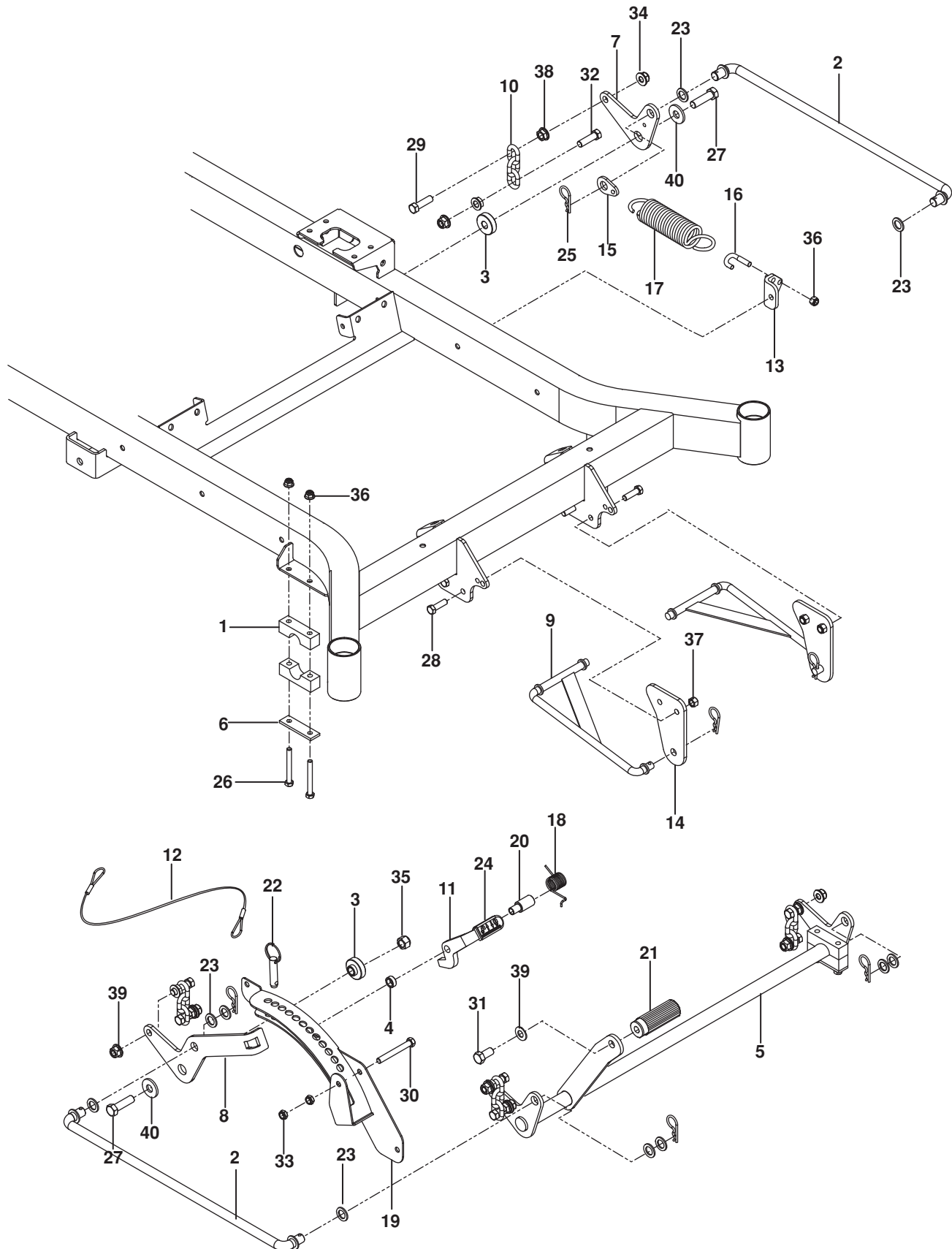
WHEELS



WHEELS

| ITEM | PART NO. | QTY. | DESCRIPTION | ITEM | PART NO. | QTY. | DESCRIPTION |
|------|----------------|------|-------------------------------|------|----------------|------|-------------------------------|
| 1.. | 539 108881.... | 2 | WHEEL ASSY, 23 x 10.5-12 | 11.. | 539 102484.... | 4 | BEARING, FLANGED |
| 2.. | 581 199501.... | 2 | WHEEL ASSY 13 x 6.5 | 12.. | 539 102543.... | 4 | BEARING |
| 3.. | 575 622201.... | 2 | TIRE 13 x 6.5 | 13.. | 539 103300.... | 2 | ZERK |
| 4.. | 575 622101.... | 2 | RIM, CASTER TIRE | 14.. | 539 101474.... | 2 | ZERK |
| 5.. | 539 102535.... | 2 | CAP, GREASE | 15.. | 539 102889.... | 2 | COTTER PIN 1/8 x 2 |
| 6.. | 575 329202.... | 2 | YOKE, CASTER, ORG | 16.. | 539 105517.... | 2 | HCS 1/2-13 x 9 1/2 |
| 7.. | 539 102851.... | 2 | SEAL | 17.. | 539 102852.... | 2 | NUT 1"-14 SLOTTED JAM |
| 8.. | 575 334901.... | 2 | SPACER, PIVOT | 18.. | 521 991101 ... | 2 | NUT 1/2-13 HEX FLG NYLOC |
| 9.. | 539 912234.... | 2 | AIR VALVE | 19.. | 539 101173.... | 8 | NUT 1/2-20 LUG |
| 10.. | 539 105307.... | 4 | BEARING 3 3/4 CAGE | 20.. | 539 109554.... | 2 | WASHER 1/2 FLAT |

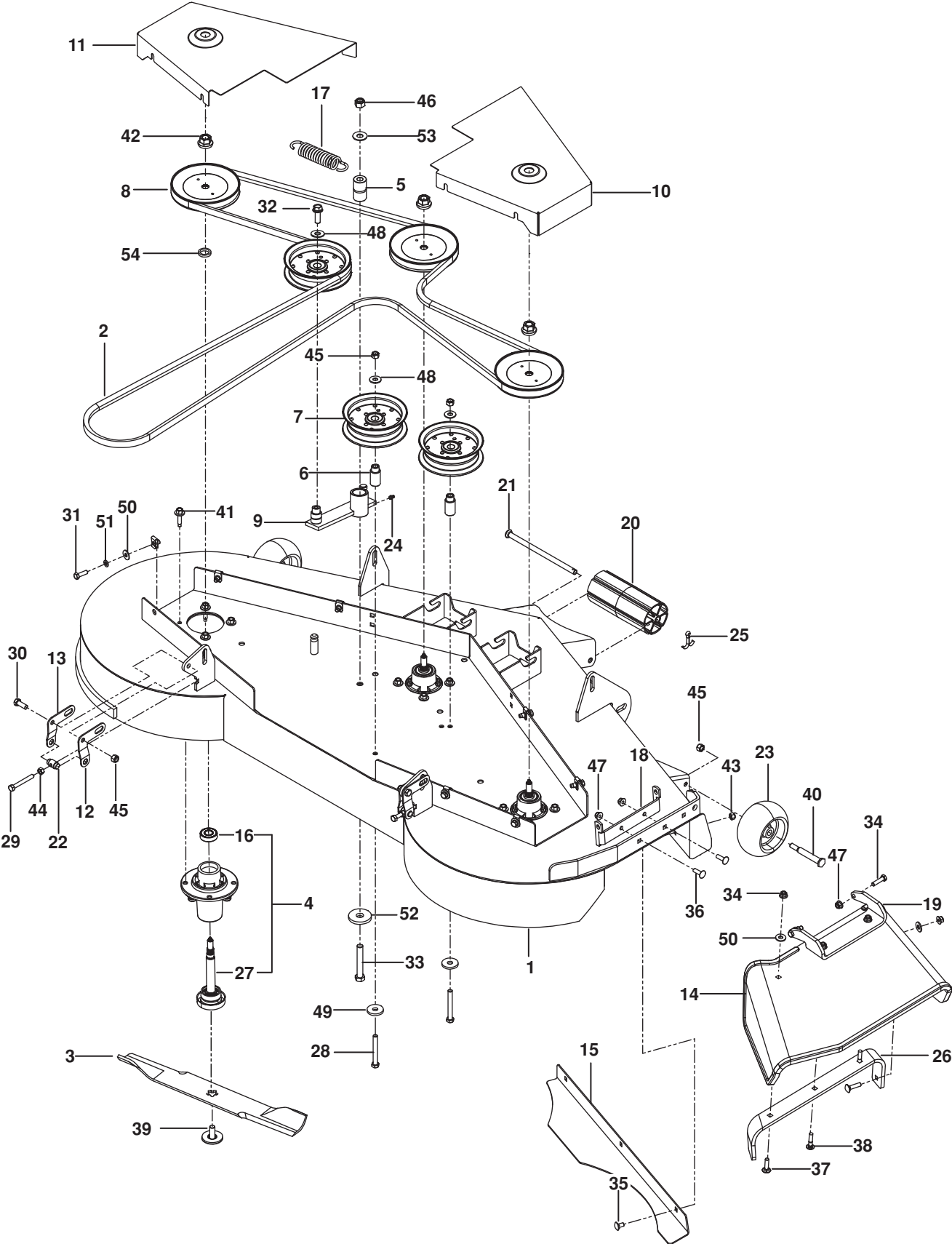
MOWER LIFT / DECK LIFT



MOWER LIFT / DECK LIFT

| ITEM | PART NO. | QTY. | DESCRIPTION | ITEM | PART NO. | QTY. | DESCRIPTION |
|------|-----------------|------|-------------------------|------|-----------------|------|-----------------------------|
| 1.. | 539 104808....4 | | PILLOW BLOCK | 21.. | 510 408301....1 | | PEDAL, FOOT |
| 2.. | 539 110808....2 | | LINK, DECK LIFT | 22.. | 539 132182....1 | | PIN 1/2 x 1 1/2 DETENT RING |
| 3.. | 539 118937....2 | | SPACER, IDLER | 23.. | 539 991043..10 | | BUSHING .625 |
| 4.. | 539 131861....1 | | SPACER | 24.. | 539 132851....1 | | GRIP |
| 5.. | 581 215202....1 | | SHAFT, FRONT LIFT BLK | 25.. | 539 115501....6 | | PIN, COTTER 1 3/4 |
| 6.. | 539 104807....2 | | REINFORCEMENT BAR | 26.. | 539 101721....4 | | HCS 5/16-18 x 2 3/4 |
| 7.. | 539 131897....1 | | BELLCRANK, RR, LIFT BLK | 27.. | 539 108181....2 | | HCS 1/2-13 x 1 3/4 GR 8 |
| 8.. | 539 131853....1 | | BELLCRANK, RR, RT BLK | 28.. | 539 976941....4 | | HCS 3/8-16 X 1 1/4 |
| 9.. | 539 112223....2 | | LINKAGE, STRUT | 29.. | 539 101175....4 | | HCS 7/16-14 x 1 1/2 |
| 10.. | 539 109693....4 | | LIFT CHAIN-3 LINK | 30.. | 874 780648....1 | | HCS 3/8-16 x 3 |
| 11.. | 539 131566....1 | | LATCH, TRANSPORT | 31.. | 539 990646....1 | | HCS 1/2-13 x 1 3/4 |
| 12.. | 539 105059....1 | | LANYARD | 32.. | 539 108073....4 | | HCS 7/16-14 x 1 3/4 |
| 13.. | 539 131791....1 | | MOUNT, SPRING | 33.. | 539 200282....2 | | NUT 3/8-16 HEX JAM NYLOC |
| 14.. | 539 132017....2 | | MOUNT, STRUT | 34.. | 539 132019....8 | | NUT 7/16-14 HEX WHIZ LK |
| 15.. | 539 131792....1 | | TAB, SPRING | 35.. | 539 101331....2 | | NUT 1/2 HEX NYLOC |
| 16.. | 539 112896....1 | | J-BOLT | 36.. | 539 112899....5 | | NUT 5/16-18 HEX FLG NYLOC |
| 17.. | 539 102642....1 | | SPRING | 37.. | 539 976979....4 | | NUT 3/8-16 HEX NYLOC |
| 18.. | 539 132734....1 | | SPRING, TORSION | 38.. | 539 102582....8 | | NUT 7/16-14 HEX WHIZ LK |
| 19.. | 539 131850....1 | | HEIGHT ADJUST, DECK | 39.. | 539 102843....1 | | WASHER 7/16 SPRING |
| 20.. | 539 131860....1 | | PIVOT LATCH, TRANSPORT | 40.. | 539 109554....2 | | WASHER 1/2 FLT |

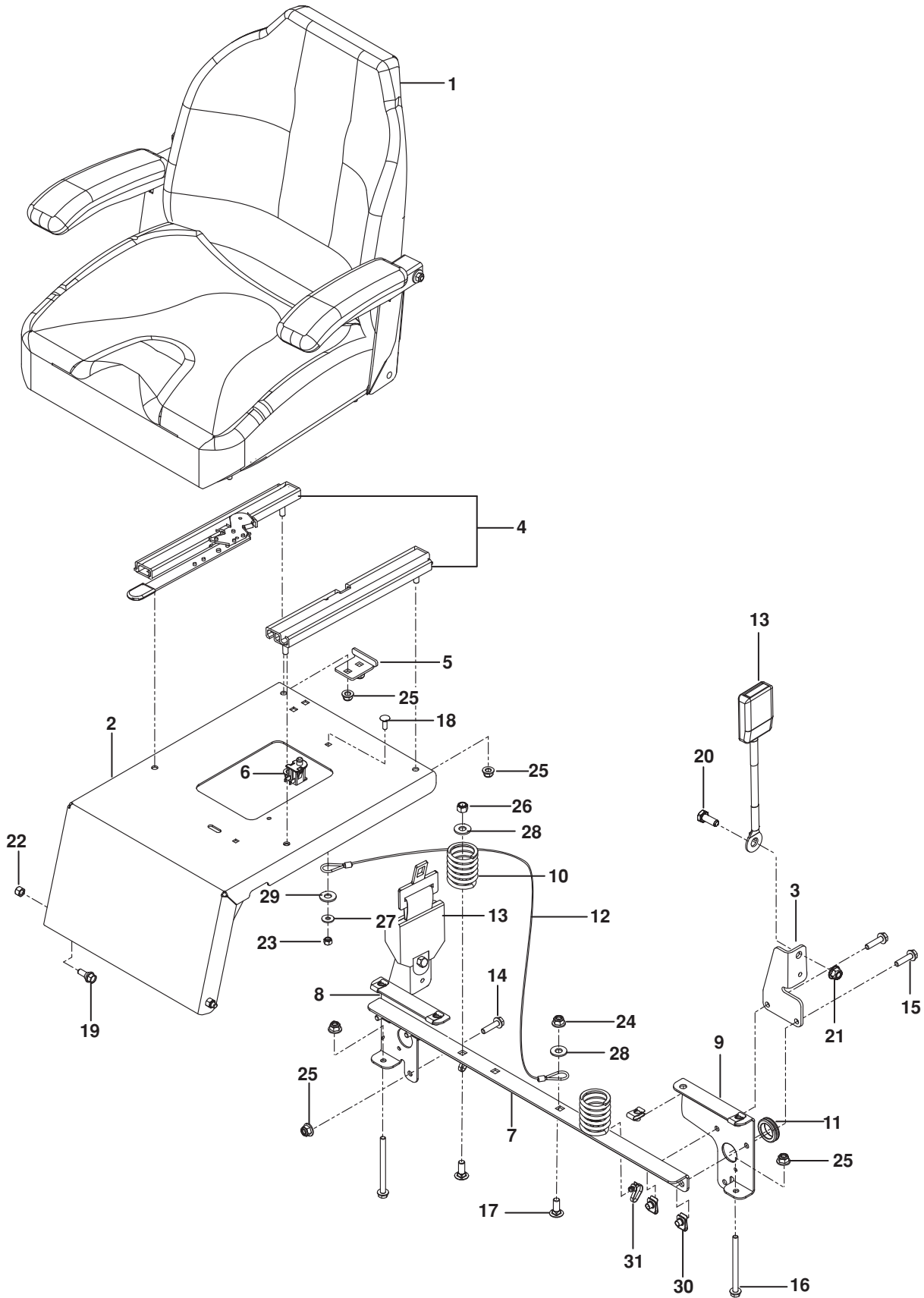
MOWER DECK / CUTTING DECK



MOWER DECK / CUTTING DECK

| ITEM | PART NO. | QTY. | DESCRIPTION | ITEM | PART NO. | QTY. | DESCRIPTION |
|------|----------------|------|---|------|----------------|------|---|
| 1.. | 581 505401.... | 1 | DECK w/ SAFETY DECALS | 28.. | 539 101341.... | 2 | HCS $\frac{3}{8}$ -16 x 3 |
| 2.. | 539 104335.... | 1 | BELT, DECK | 29.. | 539 108396.... | 2 | HCS $\frac{5}{16}$ -18 x 2 $\frac{1}{2}$ TPBLT |
| 3.. | 510 417901.... | 3 | BLADE, 21" | 30.. | 539 990563.... | 2 | HCS $\frac{3}{8}$ -16 x 1 |
| 4.. | 539 131898.... | 3 | HOUSING ASSEMBLY | 31.. | 539 976934.... | 8 | HCS $\frac{5}{16}$ -18 x $\frac{3}{4}$ |
| 5.. | 539 103427.... | 1 | BUSHING, PIVOT | 32.. | 539 990582.... | 1 | HCS $\frac{3}{8}$ -16 x 1 WHIZLK |
| 6.. | 539 112169.... | 2 | BUSHING, IDLER | 33.. | 539 103433.... | 1 | HCS $\frac{1}{2}$ -13 x 3 $\frac{1}{4}$ |
| 7.. | 539 132728.... | 3 | PULLEY, IDLER | 34.. | 539 990627.... | 2 | HCS $\frac{5}{16}$ -18 x 1 $\frac{1}{4}$ |
| 8.. | 539 113300.... | 3 | PULLEY | 35.. | 539 990799.... | 3 | RHSNB $\frac{5}{16}$ -18 x $\frac{5}{8}$ |
| 9.. | 539 112198.... | 1 | ARM, IDLER | 36.. | 539 107271.... | 2 | RHSNB $\frac{5}{16}$ -18 x 1 |
| 10.. | 539 113319.... | 1 | BELT SHIELD, RT ORG | 37.. | 539 100472.... | 2 | RHSNB $\frac{5}{16}$ -18 x 1 $\frac{1}{4}$ |
| 11.. | 539 113322.... | 1 | BELT SHIELD, LT ORG | 38.. | 539 102933.... | 2 | RHSNB $\frac{5}{16}$ -18 x 1 $\frac{1}{2}$ |
| 12.. | 584 859402.... | 2 | PITCH ADJUST, RT | 39.. | 532 193003.... | 3 | BOLT $\frac{7}{16}$ BLADE |
| 13.. | 584 859404.... | 2 | PITCH ADJUST, LT | 40.. | 539 107608.... | 2 | BOLT, SHOULDER |
| 14.. | 539 130901.... | 1 | CHUTE, DISCHARGE | 41.. | 539 107630.... | 12 | SCREW, WSH HEAD |
| 15.. | 539 113317.... | 1 | PLATE, CONFINEMENT | 42.. | 539 107590.... | 3 | NUT $\frac{9}{16}$ TOP CENTER LOCK |
| 16.. | 539 112050.... | 3 | BEARING, BALL | 43.. | 539 990717.... | 3 | NUT $\frac{5}{16}$ -18 HEX NYLOC |
| 17.. | 539 103256.... | 1 | SPRING | 44.. | 539 990196.... | 2 | NUT $\frac{5}{16}$ -18 HEX |
| 18.. | 581 606102.... | 1 | BRACKET ORG | 45.. | 539 976979.... | 6 | NUT $\frac{3}{8}$ -16 HEX NYLOC |
| 19.. | 539 130917.... | 1 | BRACKET | 46.. | 539 101331.... | 1 | NUT $\frac{1}{2}$ HEX NYLOC |
| 20.. | 532 176066.... | 1 | ROLLER, NOSE | 47.. | 539 112899.... | 8 | NUT $\frac{5}{16}$ -18 HEX FLG NYLOC |
| 21.. | 532 179127.... | 1 | ROD, ROLLER, NOSE | 48.. | 539 990517.... | 3 | WASHER $\frac{3}{8}$ FLAT STD |
| 22.. | 539 131859.... | 2 | TRUNION, PITCH | 49.. | 539 106504.... | 2 | WASHER, HEAVY |
| 23.. | 539 107610.... | 2 | WHEEL, GAUGE | 50.. | 539 990692.. | 11 | WASHER $\frac{5}{16}$ STD FLT |
| 24.. | 539 976998.... | 1 | ZERK | 51.. | 539 109600.... | 8 | WASHER $\frac{5}{16}$ SPRING |
| 25.. | 539 990365.... | 2 | PIN $\frac{1}{8}$ x $\frac{3}{4}$ COTTER | 52.. | 539 102243.... | 1 | WASHER, SUPPORT |
| 26.. | 539 130920.... | 1 | REINFORCEMENT, BRKT | 53.. | 539 990550.... | 1 | WASHER $\frac{1}{2}$ STD FLT |
| 27.. | 532 187291.... | 3 | SHAFT | 54.. | 539 107520.... | 3 | WASHER-SPACER |

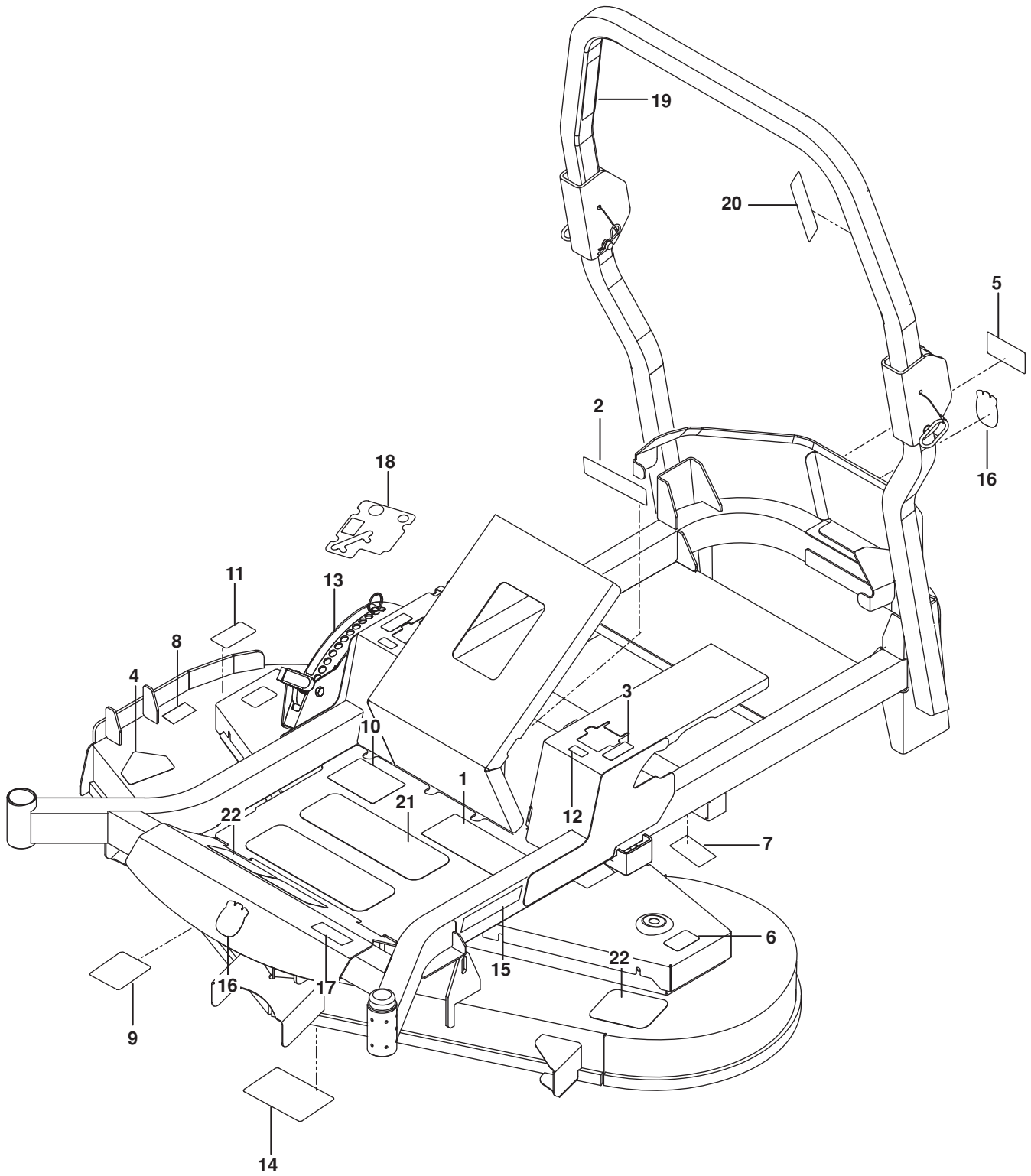
SEAT



SEAT

| ITEM | PART NO. | QTY. | DESCRIPTION | ITEM | PART NO. | QTY. | DESCRIPTION |
|------|----------------|------|---|------|----------------|------|---|
| 1.. | 576 702001.... | 1 | SEAT ASSY | 16.. | 539 131780.... | 2 | HHFS $\frac{5}{16}$ -18 x $3\frac{3}{4}$ |
| 2.. | 575 608601.... | 1 | MOUNT, w/ SAFETY DECAL | 17.. | 539 990645.... | 3 | RHSNB $\frac{3}{8}$ -16 x 1 |
| 3.. | 584 916802.... | 2 | MOUNT, SEAT BELT | 18.. | 539 990074.... | 1 | RHSNB $\frac{1}{4}$ -20 x $\frac{3}{4}$ |
| 4.. | 576 702004.... | 1 | ADJUSTMENT TRACK ASSY | 19.. | 539 130896.... | 2 | BOLT $\frac{5}{16}$ -18 SHOULDER |
| 5.. | 539 130793.... | 1 | DECK STOP | 20.. | 539 124775.... | 2 | HHB $\frac{7}{16}$ -20 x 1 |
| 6.. | 539 119741.... | 1 | SWITCH, SEAT | 21.. | 539 990394.... | 2 | NUT $\frac{7}{16}$ -20 HEX LK |
| 7.. | 584 809102.... | 1 | SUPPORT, SEAT BLK | 22.. | 539 990717.... | 2 | NUT $\frac{5}{16}$ -18 HEX NYLOC |
| 8.. | 584 990102.... | 1 | SUPPORT, RT BLK | 23.. | 539 976978.... | 1 | NUT $\frac{1}{4}$ -20 HEX NYLOC |
| 9.. | 584 990202.... | 1 | SUPPORT, LT BLK | 24.. | 521 996501.... | 1 | NUT $\frac{3}{8}$ -16 FLG HEX NYLOC |
| 10.. | 539 110300.... | 2 | SPRING, SEAT BLK | 25.. | 539 112899.. | 10 | NUT $\frac{5}{16}$ -18 FLG HEX NYLOC |
| 11.. | 539 105974.... | 1 | GROMMET RUBBER | 26.. | 539 976979.... | 2 | NUT $\frac{3}{8}$ -16 HEX NYLOC |
| 12.. | 539 103247.... | 1 | LANYARD, SEAT | 27.. | 539 990598.... | 1 | WASHER $\frac{1}{4}$ FLAT |
| 13.. | 539 130359.... | 1 | SEAT BELT ASSY | 28.. | 539 990517.... | 4 | WASHER $\frac{3}{8}$ FLAT STD |
| 14.. | 525 464701.... | 2 | HHFS $\frac{5}{16}$ -18 x $\frac{3}{4}$ | 29.. | 539 104763.... | 8 | RETAINER, U TYPE $\frac{5}{16}$ -18 |
| 15.. | 525 544001.... | 4 | HHFS $\frac{5}{16}$ -18 x $1\frac{1}{4}$ TPBLT | 30.. | 505 280001.... | 2 | TIE WRAP w/ CLIP |

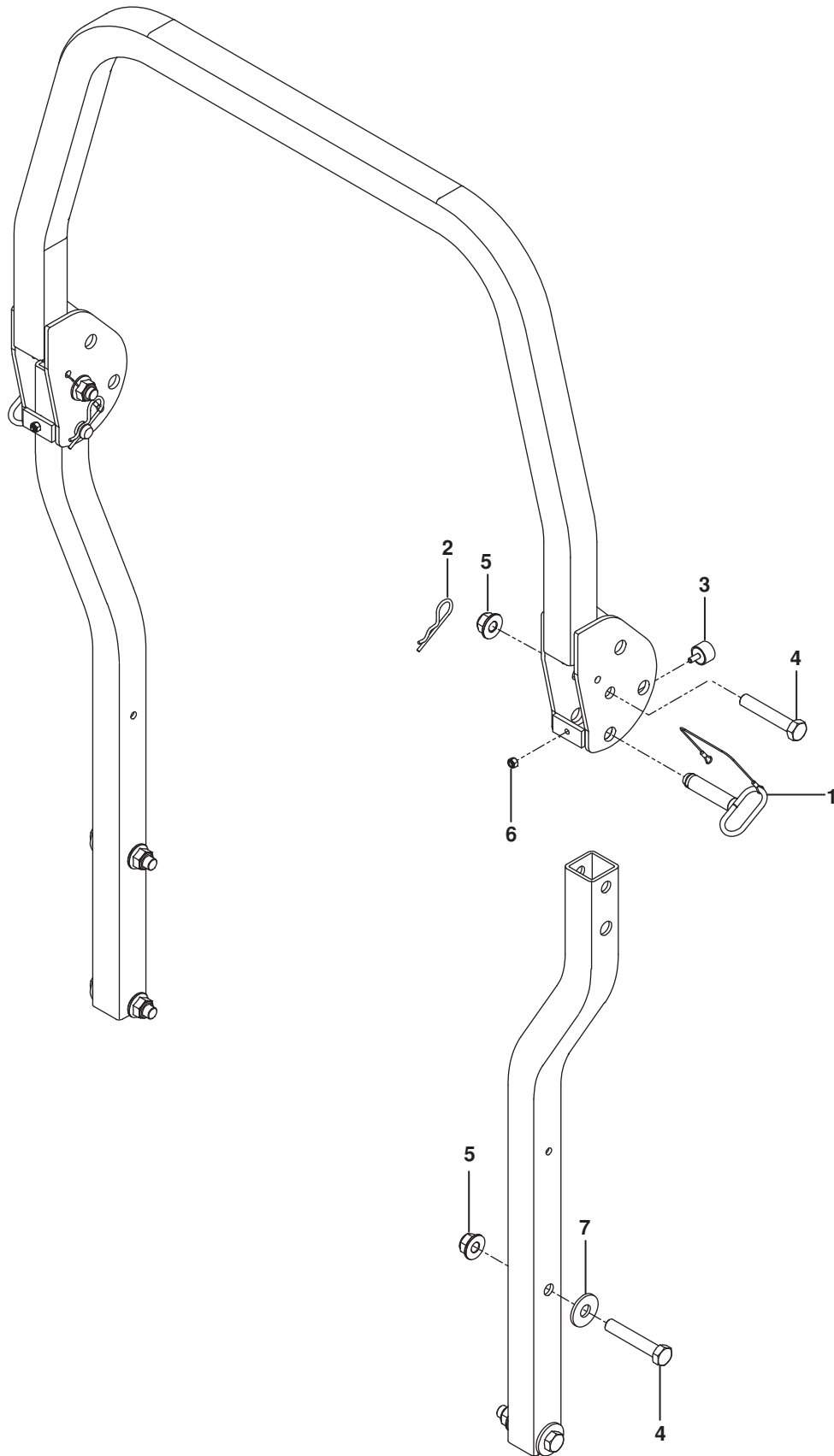
DECALS



DECALS

| ITEM | PART NO. | QTY. | DESCRIPTION | ITEM | PART NO. | QTY. | DESCRIPTION |
|------|----------------|------|-----------------------------|------|----------------|------|--------------------------|
| 1.. | 539 107959.... | 1 |DECAL, WARNING | 12.. | 539 110974.... | 2 |DECAL, TRACKING |
| 2.. | 539 105745.... | 1 |DECAL, BATTERY WARNING | 13.. | 539 132039.... | 1 |DECAL, HEIGHT ADJUST |
| 3.. | 539 103333.... | 2 |DECAL, MOTION CONTROL | 14.. | 539 132187.... | 1 |DECAL, SERVICE |
| 4.. | 539 913010.... | 1 |DECAL, BLADE WARNING | 15.. | 532 429196.... | 2 |DECAL, HUSQVARNA |
| 5.. | 539 105744.... | 1 |DECAL, DANGER BLT DRIVE | 16.. | 532 428676.... | 2 |DECAL, CROWN H |
| 6.. | 539 105743.... | 2 |DECAL, NO STEP | 17.. | 581 513701.... | 1 |DECAL, M-ZT61 |
| 7.. | 581 513701.... | 1 |DECAL, HYDROGEAR | 18.. | 574 841103.... | 1 |DECAL, CONSOLE |
| 8.. | 539 105746.... | 1 |DECAL, SEVERING | 19.. | 574 569002.... | 1 |DECAL, ROPS, WARNING |
| 9.. | 539 112620.... | 1 |DECAL, BELT ROUTING | 20.. | 574 569005.... | 1 |DECAL.ROPS |
| 10.. | 539 113213.... | 1 |DECAL, WARNING | 21.. | 539 977778.... | 2 |PAD, ABRASIVE LG |
| 11.. | 581 724401.... | 1 |DECAL, DEFLECTOR | 22.. | 539 121322.... | 3 |PAD, ABRASIVE SM |

PROTECTION FRAME

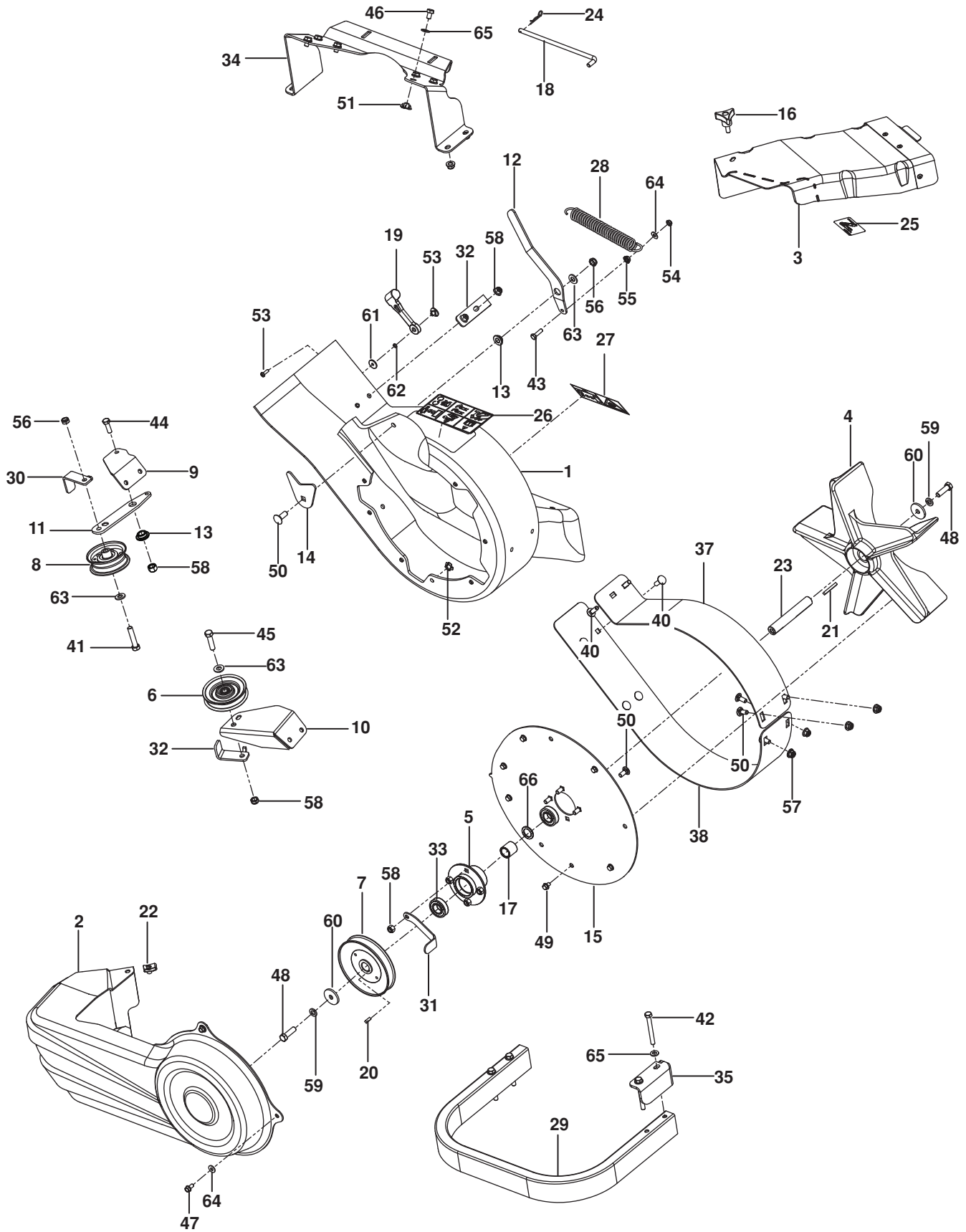


PROTECTION FRAME

| ITEM | PART NO. | QTY. | DESCRIPTION | ITEM | PART NO. | QTY. | DESCRIPTION |
|------|-----------------|------|---|------|-----------------|------|---------------------------------|
| 1.. | 574 388001....2 | | PIN w/ CABLE | 5.. | 525 829101....6 | | NUT $\frac{5}{8}$ -11 FLG NYLOC |
| 2.. | 539 200715....2 | | HAIR PIN #210 | 6.. | 539 976978....2 | | NUT $\frac{1}{4}$ -20 HEX NYLOC |
| 3.. | 522 801401....2 | | BUMPER, MALE STUD $\frac{1}{4}$ -20 | 7.. | 539 102653....4 | | WASHER $\frac{5}{8}$ STD FLAT |
| 4.. | 580 754601....6 | | HCS $\frac{5}{8}$ -11 x 3 $\frac{1}{2}$ | | | | |

ACCESSORIES

Blower

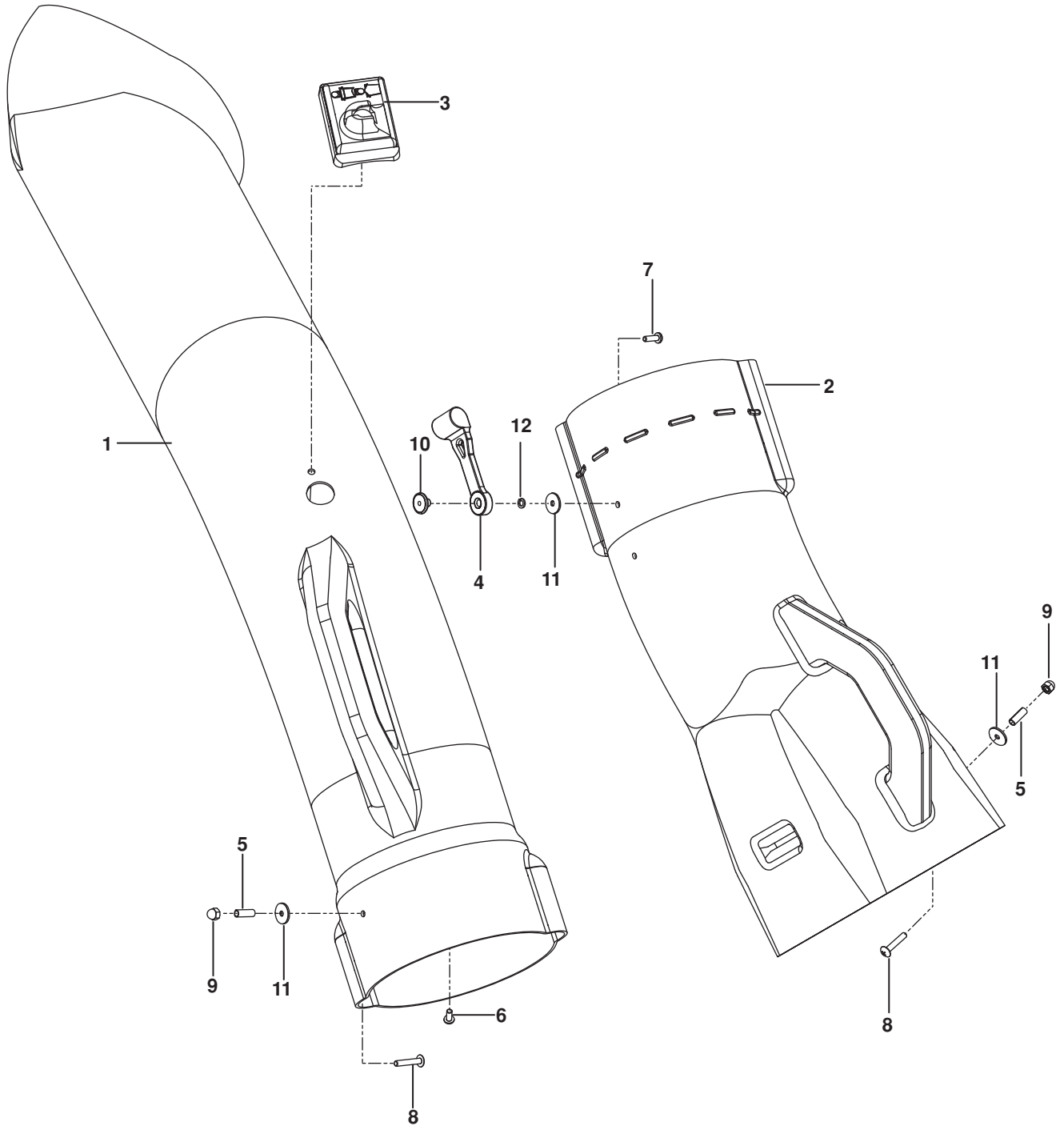


ACCESSORIES

| ITEM | PART NO. | QTY. | DESCRIPTION | ITEM | PART NO. | QTY. | DESCRIPTION |
|------|----------------|------|---|------|----------------|------|---|
| 1.. | 539 130344.... | 1 | HOUSING w/DECALS | 34.. | 522 909602.... | 1 | BRACKET, MOUNT |
| 2.. | 539 130293.... | 1 | COVER, BELT | 35.. | 522 909502.... | 1 | BRACKET, RETENTION |
| 3.. | 574 411501.... | 1 | COVER, BELT | 36.. | 525 618302.... | 1 | SAND LINER, TOP |
| 4.. | 539 130292.... | 1 | IMPELLER | 37.. | 522 909702.... | 1 | SAND LINER, BOTTOM |
| 5.. | 539 130295.... | 1 | HUB | 38.. | 539 990645.... | 1 | RHSNB $\frac{3}{8}$ -16 x 1 |
| 6.. | 539 113683.... | 1 | PULLEY, V-IDLER | 39.. | 539 990316.... | 6 | RHSNB $\frac{5}{16}$ -18 x $\frac{3}{4}$ |
| 7.. | 539 130324.... | 1 | PULLEY | 40.. | 539 990208.... | 6 | RHSNB $\frac{5}{16}$ -18 x 1 |
| 8.. | 579 150802.... | 1 | PULLEY, IDLER | 41.. | 539 976949.... | 1 | HCS $\frac{3}{8}$ -16 x $1\frac{3}{4}$ |
| 9.. | 579 137402.... | 1 | MOUNT, UPPER BLK | 42.. | 539 101721.... | 4 | HCS $\frac{5}{16}$ -18 x $2\frac{3}{4}$ |
| 10.. | 579 137502.... | 1 | MOUNT, LOWER BLK | 43.. | 539 990643.... | 1 | HCS $\frac{1}{4}$ -20 x $\frac{7}{8}$ |
| 11.. | 579 137302.... | 1 | ARM, IDLER | 44.. | 539 990209.... | 1 | HCS $\frac{5}{16}$ -18 x 1 |
| 12.. | 539 130338.... | 1 | ARM, TENSION | 45.. | 539 990655.... | 1 | HCS $\frac{3}{8}$ -16 x $1\frac{1}{2}$ |
| 13.. | 539 130301.... | 2 | BUSHING | 46.. | 539 130315.... | 6 | HCS $\frac{5}{16}$ -18 x $\frac{1}{2}$ |
| 14.. | 539 132124.... | 1 | PLATE, BACKING | 47.. | 539 108461.... | 3 | BOLT $\frac{1}{4}$ -20 x $\frac{1}{2}$ HWST |
| 15.. | 539 130341.... | 1 | PLATE, OUTER | 48.. | 539 110321.... | 2 | BOLT $\frac{3}{8}$ -24 x $1\frac{1}{4}$ HEX GR 8 |
| 16.. | 539 104411.... | 1 | KNOB w/ STUD | 49.. | 539 990302.... | 8 | SCREW $\frac{1}{4}$ -20 x $\frac{3}{8}$ THD FRM |
| 17.. | 539 130323.... | 1 | SPACER | 50.. | 539 976952.... | 1 | SCREW #10-24 x $\frac{5}{8}$ MACH |
| 18.. | 522 909801.... | 1 | PIN, RETENTION | 51.. | 539 130313.... | 6 | NUT $\frac{5}{16}$ -18 TEE |
| 19.. | 539 108088.... | 1 | LATCH, HOOD | 52.. | 539 130314.... | 9 | NUT $\frac{1}{4}$ -20 TEE |
| 20.. | 539 115667.... | 1 | KEY $\frac{3}{16}$ x $\frac{1}{2}$ | 53.. | 539 108089.... | 1 | WELDNUT, PLATED |
| 21.. | 539 125229.... | 1 | KEY $1\frac{1}{2}$ | 54.. | 539 108120.... | 1 | NUT $\frac{1}{4}$ -20 HEX THIN NYLOC |
| 22.. | 539 104763.... | 1 | RETAINER, U TYPE | 55.. | 539 108735.... | 1 | NUT $\frac{1}{4}$ -20 HEX FLANGE LK |
| 23.. | 539 130316.... | 1 | SHAFT, IMPELLER | 56.. | 539 200282.... | 3 | NUT $\frac{3}{8}$ -16 HEX JAM NYLOC |
| 24.. | 539 976988.... | 1 | HAIRPIN COTTER | 57.. | 539 112899.. | 10 | NUT $\frac{5}{16}$ -18 HEX FLG NYLOC |
| 25.. | 539 130349.... | 1 | DECAL, BELT ROUTING | 58.. | 539 990717.... | 9 | NUT $\frac{5}{16}$ -18 HEX NYLOC |
| 26.. | 539 105785.... | 1 | DECAL, WARNING | 59.. | 539 990118.... | 2 | WASHER $\frac{3}{8}$ SLW |
| 27.. | 539 106741.... | 1 | DECAL, SEVERING | 60.. | 532 140296.... | 2 | WASHER, HARDENED |
| 28.. | 539 101977.... | 1 | SPRING, TRACTION | 61.. | 539 108084.... | 1 | WASHER $\frac{3}{16}$ x $\frac{3}{4}$ x 16 GA |
| 29.. | 522 909402.... | 1 | TUBE, RUB | 62.. | 539 109552.... | 1 | WASHER $\frac{3}{16}$ SLW |
| 30.. | 579 137602.... | 1 | KEEPER, BELT REAR BLK | 63.. | 539 990122.... | 3 | WASHER $\frac{3}{8}$ SAE FLT |
| 31.. | 539 131085.... | 1 | KEEPER, BELT OUTER BLK | 64.. | 539 990055.... | 4 | WASHER $\frac{1}{4}$ FLAT SAE |
| 32.. | 579 137702.... | 1 | KEEPER | 65.. | 539 990188.. | 10 | WASHER $\frac{5}{16}$ SAE FLAT |
| 33.. | 539 130296.... | 2 | BEARING | | | | |

ACCESSORIES

Chutes

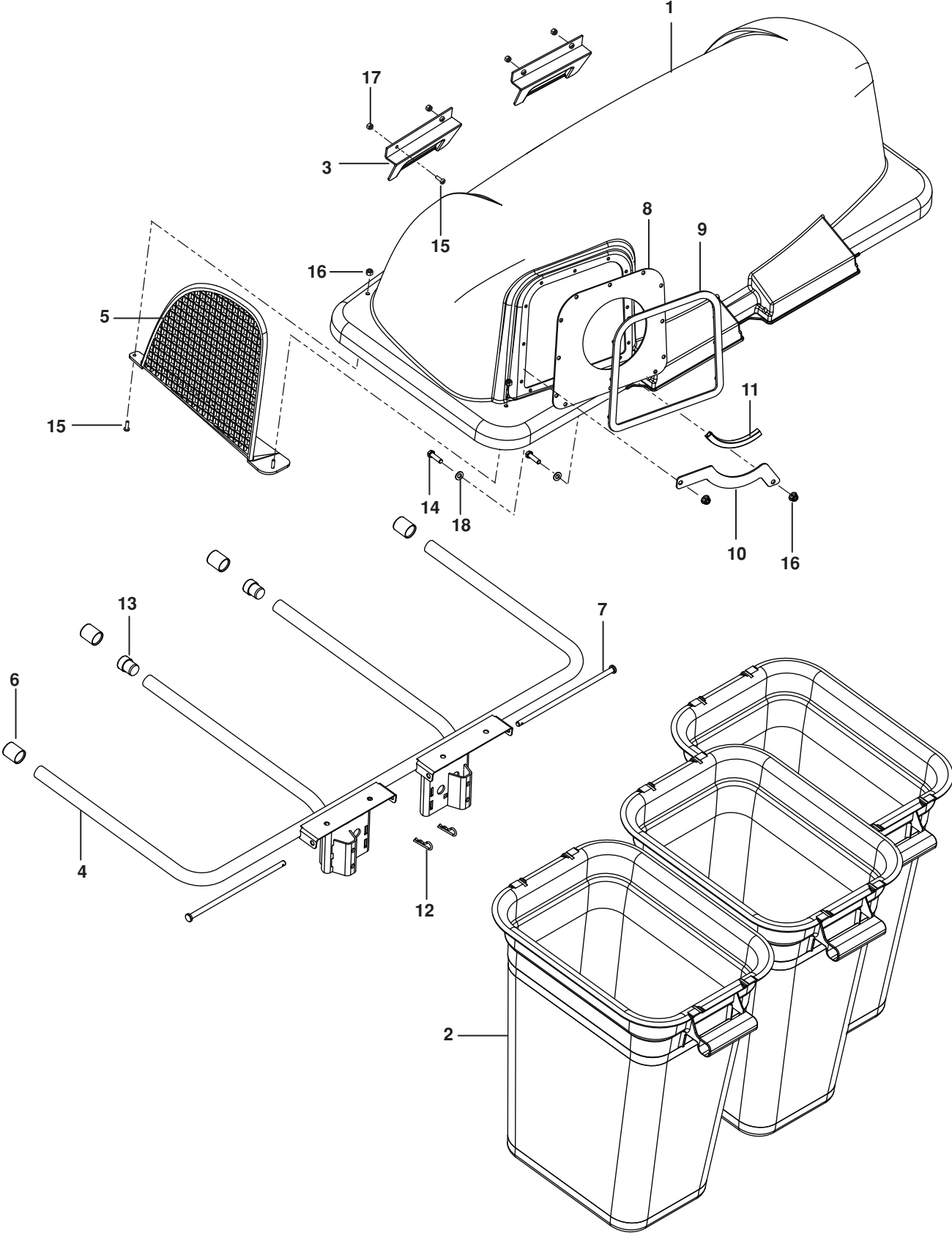


ACCESSORIES

| ITEM | PART NO. | QTY. | DESCRIPTION | ITEM | PART NO. | QTY. | DESCRIPTION |
|------|----------------|------|----------------------------------|------|----------------|------|--|
| 1.. | 539 108141.... | 1 |CHUTE, UPPER | 7.. | 539 976952.... | 1 | SCREW #10-24 x $\frac{5}{8}$ |
| 2.. | 539 130294.... | 1 |CHUTE, MIDDLE | 8.. | 539 108083.... | 2 | SCREW #10-24 x $1\frac{1}{8}$ |
| 3.. | 539 130933.... | 1 |INDICATOR, BAG DUMP | 9.. | 539 108086.... | 2 | NUT #10-24 ACORN |
| 4.. | 539 108088.... | 1 |LATCH, HOOD | 10.. | 539 108089.... | 1 |WELDNUT, PLATED |
| 5.. | 539 108085.... | 2 |SPACER, SPLIT | 11.. | 539 108084.... | 3 | WASHER $\frac{3}{16}$ x $\frac{3}{4}$ x 16 GA |
| 6.. | 539 108081.... | 1 |SCREW #10-14 x $\frac{1}{2}$ | 12.. | 539 109552.... | 2 | WASHER $\frac{3}{16}$ LOCK |

ACCESSORIES

Bagger

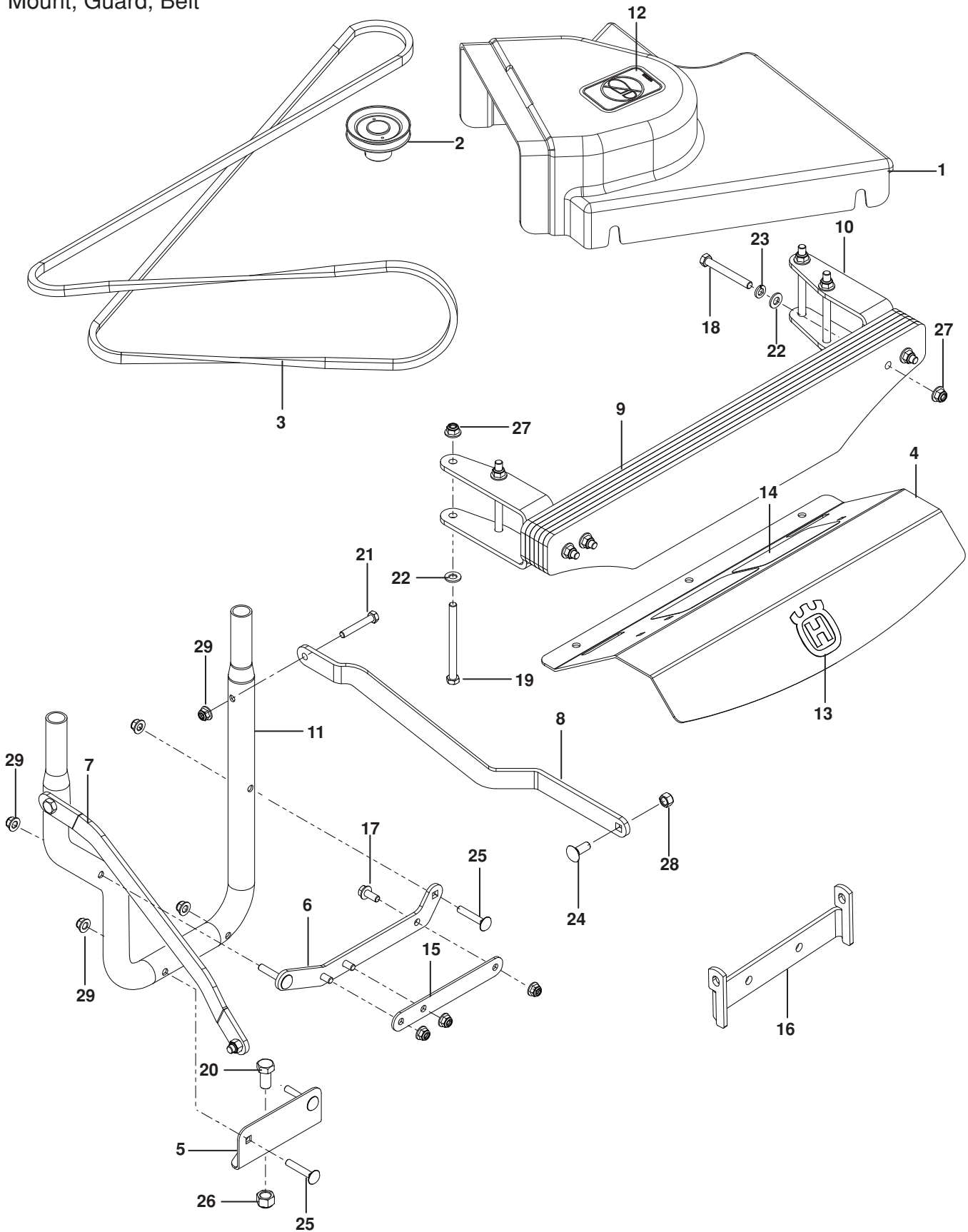


ACCESSORIES

| ITEM | PART NO. | QTY. | DESCRIPTION | ITEM | PART NO. | QTY. | DESCRIPTION |
|------|----------------|------|----------------------|------|----------------|------|---------------------------------|
| 1.. | 532 195373.... | 1 | COVER | 10.. | 539 110281.... | 1 | SUPPORT, CHUTE |
| 2.. | 532 400226.... | 3 | CONTAINER, SOFT BAG | 11.. | 539 112294.... | 1 | FLEX TRIM |
| 3.. | 532 130895.... | 2 | HANDLE, BAGGER COVER | 12.. | 539 108096.... | 2 | HAIR PIN |
| 4.. | 532 176990.... | 1 | FRAME, BAGGER | 13.. | 522 801301.... | 2 | PLUG |
| 5.. | 532 192709.... | 1 | SCREEN, COVER | 14.. | 539 990627.... | 2 | HCS $5/16$ -18 x $1\frac{1}{4}$ |
| 6.. | 532 174083.... | 2 | PLUG, SPACER | 15.. | 539 976952.... | 6 | SCREW #10-24 x $5/8$ |
| 7.. | 532 192786.... | 2 | PIN, HINGE | 16.. | 539 112899.... | 2 | NUT $5/16$ -18 HEX FLG NYLOC |
| 8.. | 532 192550.... | 1 | SEAL, COVER | 17.. | 539 976977.... | 6 | NUT #10-24 CROWNLOCK |
| 9.. | 532 192603.... | 1 | GASKET, COVER | 18.. | 539 990188.... | 4 | WASHER $5/16$ SAE |

ACCESSORIES

Mount, Guard, Belt

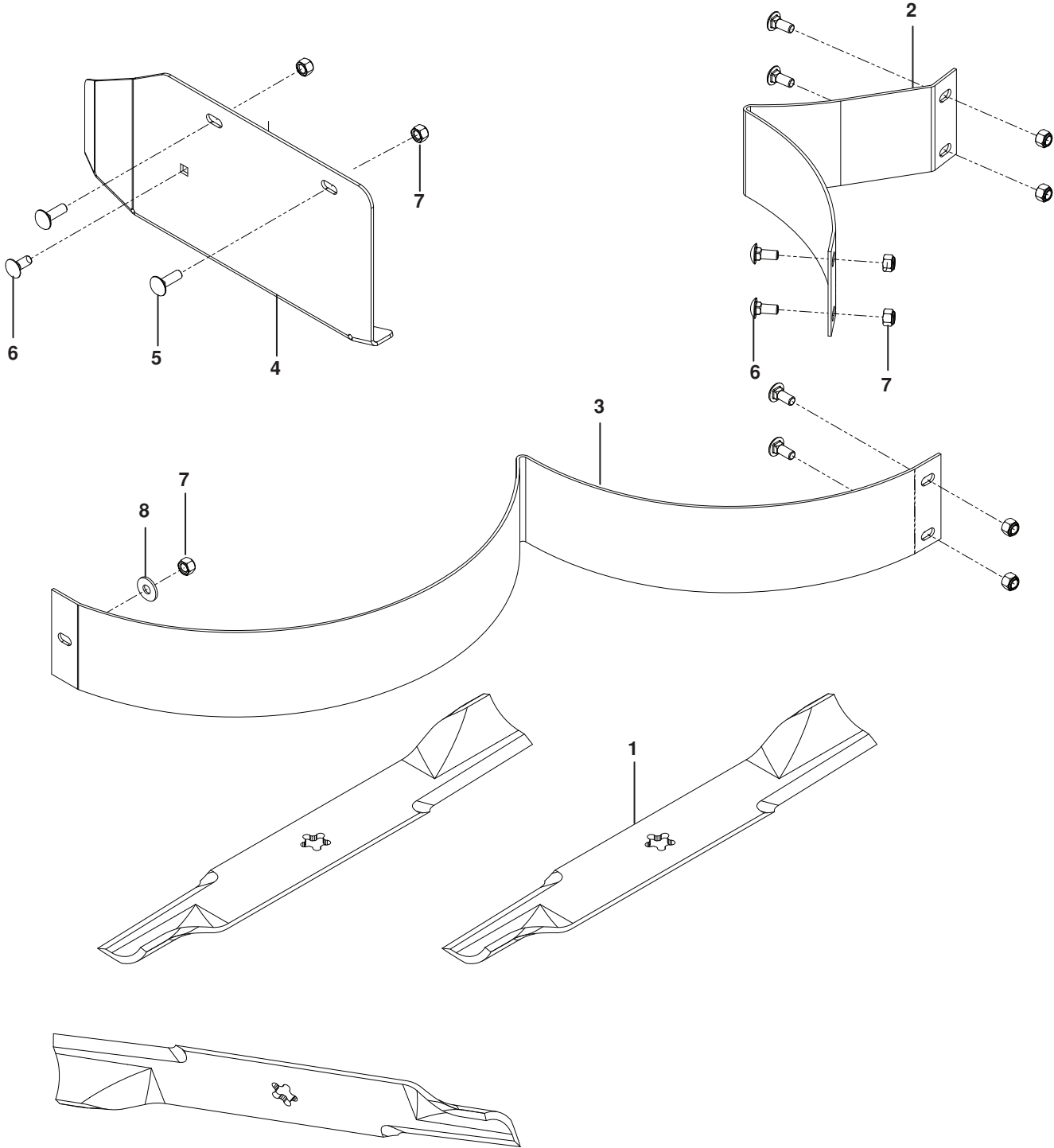


ACCESSORIES

| ITEM | PART NO. | QTY. | DESCRIPTION | ITEM | PART NO. | QTY. | DESCRIPTION |
|------|----------------|------|--------------------|-----------|----------------|------|--|
| 1.. | 539 130308.... | 1 | SHIELD, BELT | 17.. | 525 464701 ... | 3 | HHFS $\frac{5}{16}$ -18 x $\frac{3}{4}$ |
| 2.. | 539 130321.... | 1 | PULLEY | 18.. | 539 101341.... | 4 | HCS $\frac{3}{8}$ -16 x 3 |
| 3.. | 539 130348.... | 1 | BELT | 19.. | 539 102334.... | 4 | HCS $\frac{3}{8}$ -16 x 4 $\frac{1}{2}$ |
| 4.. | 584 812002.... | 1 | FOOT REST | 20.. | 539 990646.... | 1 | HCS $\frac{1}{2}$ -13 x 1 |
| 5.. | 539 132192.... | 1 | MOUNT, HITCH | 21.. | 539 976937 ... | 2 | HCS $\frac{5}{16}$ -18 x 2 |
| 6.. | 576 221402.... | 1 | BRACKET, SUPPORT | 22.. | 539 990122 ... | 8 | WASHER $\frac{3}{8}$ SAE FLT |
| 7.. | 539 132198 ... | 1 | STRAP, RT BLK | 23.. | 539 990118 ... | 4 | WASHER $\frac{3}{8}$ LK |
| 8.. | 575 953302.... | 1 | STRAP, LT BLK | 24.. | 539 990645.... | 2 | RHSNB $\frac{3}{8}$ -16 x 1 |
| 9.. | 539 113232.... | 6 | PLATE, WEIGHT | 25.. | 539 990861.... | 4 | RHSNB $\frac{5}{16}$ -18 x 1 $\frac{3}{4}$ |
| 10.. | 522 989002.... | 2 | BRACKET, WEIGHT | 26.. | 539 101331.... | 1 | NUT $\frac{1}{2}$ -13 HEX NYLOC |
| 11.. | 539 131091 ... | 1 | TUBE, MOUNT | 27.. | 521 966501.... | 8 | NUT $\frac{3}{8}$ -16 HEX FLG NYLOC |
| 12.. | 539 105743.... | 1 | DECAL, NO STEP | 28.. | 539 976979...2 | | NUT $\frac{3}{8}$ -16 HEX NYLOC |
| 13.. | 532 428676.... | 1 | DECAL, CROWN | 29.. | 539 112899.... | 9 | NUT $\frac{5}{16}$ -18 HEX FLG NYLOC |
| 14.. | 539 121322.... | 2 | ABRASIVE PAD | NOT SHOWN | | | |
| 15.. | 576 221502.... | 1 | SPACER | | 539 110290.... | 1 | BLOCK, FOAM |
| 16.. | 581 606104.... | 1 | BRACKET, CHUTE BLK | | | | |

ACCESSORIES

Mulch Kit



ACCESSORIES

| ITEM | PART NO. | QTY. | DESCRIPTION |
|------|-----------------|------|------------------|
| 1.. | 521 981601....3 | | BLADE, 21" GATOR |
| 2.. | 539 113313....1 | | BAFFLE, LEFT |
| 3.. | 539 113315....1 | | BAFFLE, RIGHT |
| 4.. | 539 113327....1 | | MULCH CAP |

| ITEM | PART NO. | QTY. | DESCRIPTION |
|------|-----------------|------|--|
| 5.. | 539 990208....2 | | RHSNB ⁵ / ₁₆ -18 x 1 GR5 |
| 6.. | 539 990316....7 | | RHSNB ⁵ / ₁₆ -18 x ³ / ₄ GR5 |
| 7.. | 539 990717....9 | | NUT ⁵ / ₁₆ -18 NYLOC |
| 8.. | 539 990692....1 | | WASHER ⁵ / ₁₆ |

