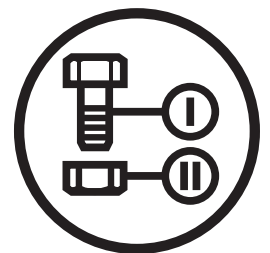




Parts Manual

MZ 52LE

Zero Turn Mower / 967277406-00



Please read the operator manual carefully and make sure you understand the instructions before using the machine.

When you need spare parts or support in service questions, warranty issues, etc., please consult the following professional:

| | | |
|---|--------|--------------|
| | | |
| This manual belongs to the machine with the manufacturing number: | Engine | Transmission |

Manufacturing Number

The machine's manufacturing number can be found on the printed plate affixed to the engine compartment.

Stated on the plate, from the top are:

- The machine's type designation (I.D.).
- The manufacturer's type number (Model).
- The machine's serial number (Serial no.)

Please have the type designation and serial number available when ordering spare parts.

The engine's manufacturing number is stamped on one of the valve covers.

The plate states:

- The engine's model.
- The engine's type.
- Code

Please have these available when ordering spare parts.

The wheel motors and hydrostatic pumps have a barcode decal affixed at the rear.

| | |
|------------------------------|--------------|
| Accessories Available | |
| Collection System ----- | 966 79 30-02 |
| Mulch Kit----- | 965 89 40-01 |

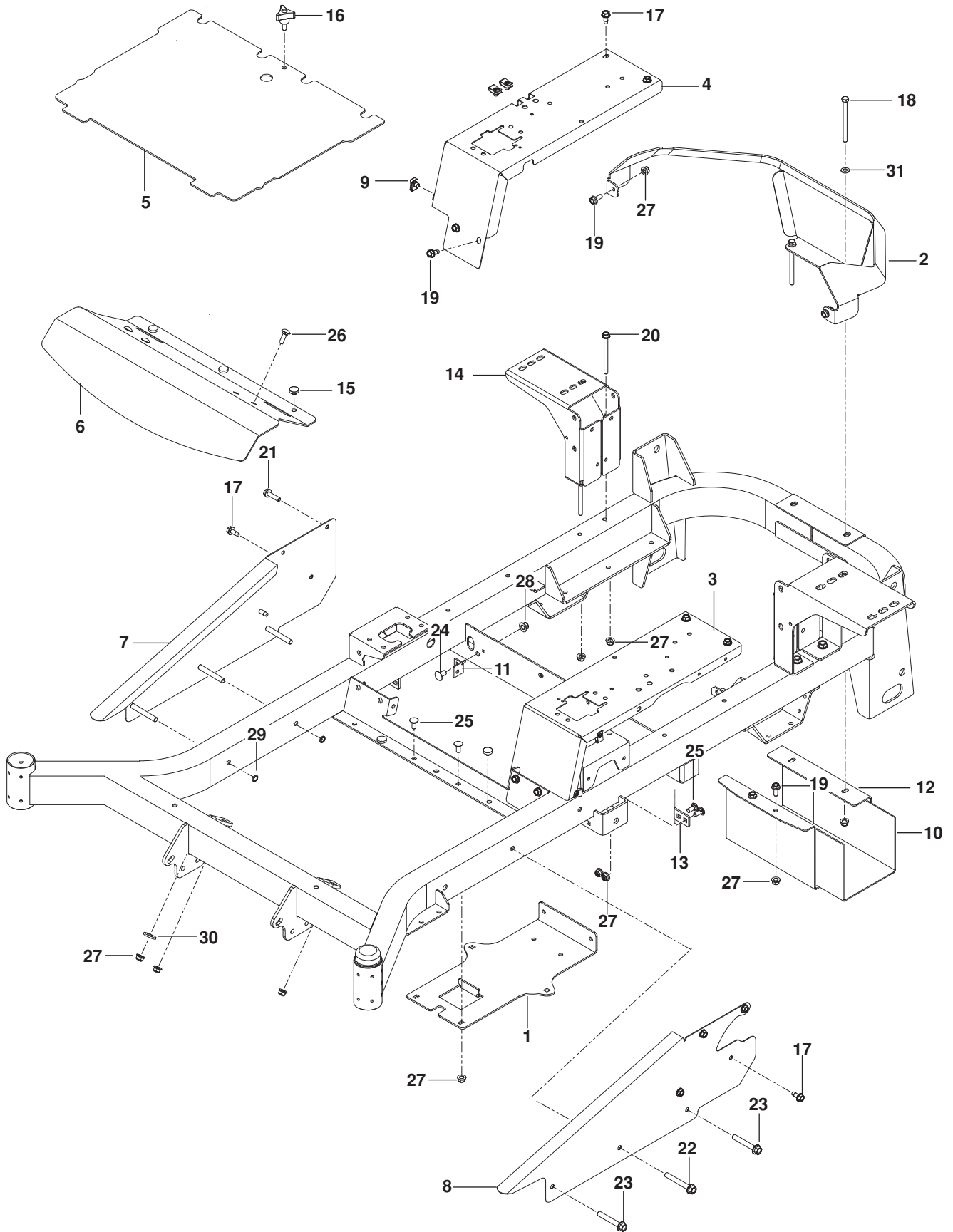
CONTENTS

| | |
|--------------------------------|----|
| FRAME..... | 4 |
| ENGINE PLATE..... | 6 |
| STEERING | 8 |
| IGNITION..... | 10 |
| PARK BRAKE..... | 12 |
| HYDRAULIC PUMP-MOTOR..... | 14 |
| WHEELS | 16 |
| MOWER LIFT / DECK LIFT | 18 |
| MOWER DECK / CUTTING DECK..... | 20 |
| SEAT | 22 |
| DECALS..... | 24 |
| ACCESSORIES..... | 26 |
| Blower..... | 26 |
| Bagger..... | 28 |
| Guard, Mount and Belt | 30 |
| Mulch Kit..... | 32 |

Illustrations may or may not represent the actual assemblies and it is not recommended to use this manual as a guide to assemble or disassemble the mower.

NOTE: All fasteners are Grade 5 unless otherwise specified.

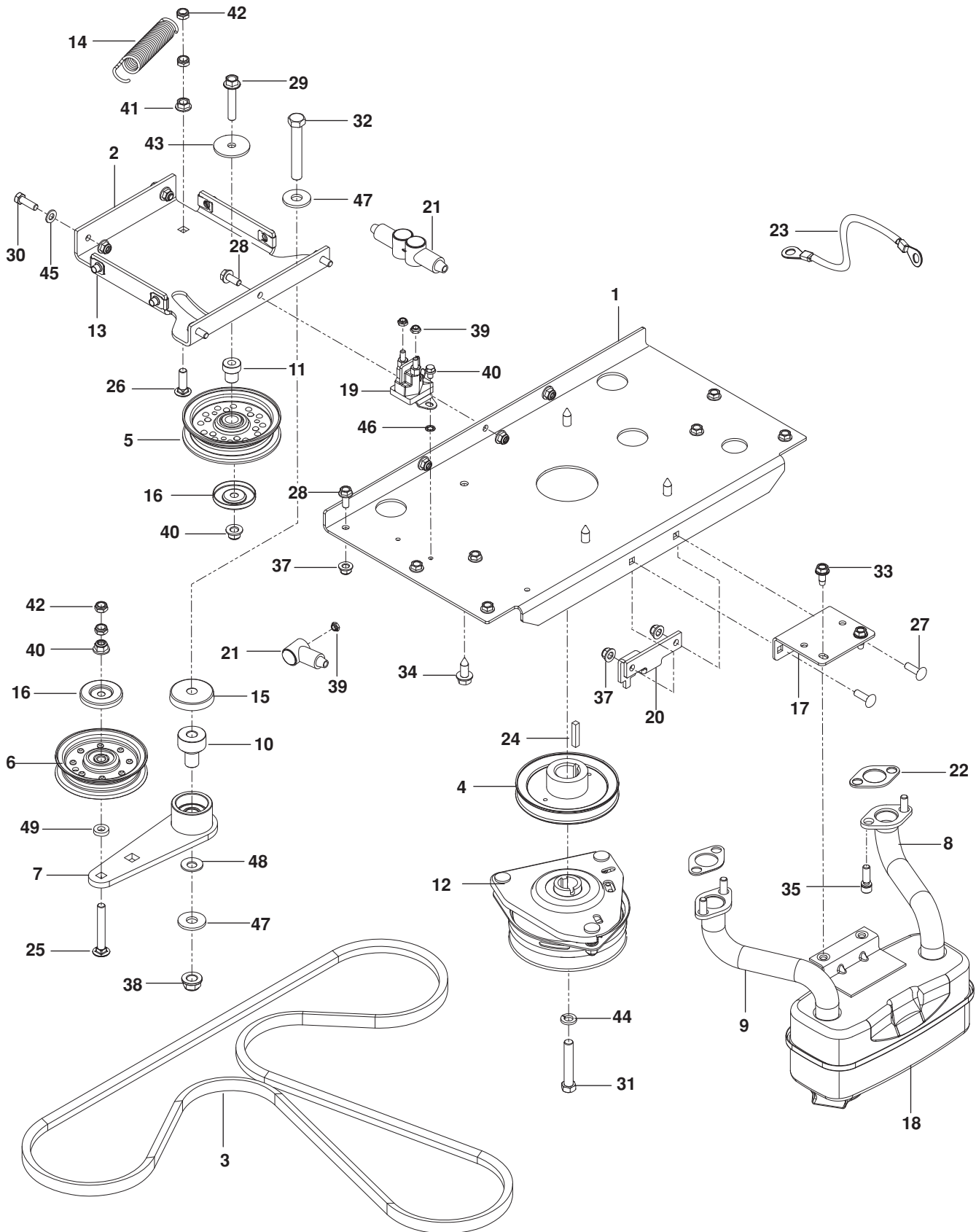
FRAME



FRAME

| ITEM | PART NO. | QTY. | DESCRIPTION | ITEM | PART NO. | QTY. | DESCRIPTION |
|------|-------------------|---------|-------------------------------------|------|-------------------|----------|---|
| 1.. | 575 01 72-02..... | 1 | PLATE, BATTERY, BLK | 17.. | 539 10 74-75..... | 12 | BOLT $\frac{5}{16}$ -18 x $\frac{3}{4}$ THD FRM |
| 2.. | 575 34 84-02..... | 1 | GUARD, REAR GRY | 18.. | 539 10 23-35..... | 2 | BOLT $\frac{5}{16}$ -18 x 4 HEX HD |
| 3.. | 577 25 68-02..... | 1 | PANEL, LT ORG | 19.. | 525 46 47-01..... | 5 | BOLT $\frac{5}{16}$ -18 x $\frac{3}{4}$ HEX FLG HD |
| 4.. | 577 25 69-02..... | 1 | PANEL, RT ORG | 20.. | 874 49 05 60..... | 4 | BOLT $\frac{5}{16}$ -18 x $3\frac{3}{4}$ HEX FLG HD |
| 5.. | 539 13 27-44..... | 1 | PLATE w/ SAFTY DECAL | 21.. | 525 54 40-01..... | 1 | BOLT $\frac{5}{16}$ -18 x $1\frac{1}{4}$ HEX FLG HD |
| 6.. | 539 13 23-80..... | 1 | PLATE, FOOTREST ORG | 22.. | 539 13 17-81..... | 2 | BOLT $\frac{3}{8}$ -16 x $2\frac{3}{4}$ HEX FLG HD |
| 7.. | 539 13 15-79..... | 1 | SIDE, RT ORG | 23.. | 539 13 30-06..... | 4 | BOLT $\frac{3}{8}$ -16 x $2\frac{1}{2}$ HEX FLG HD |
| 8.. | 539 13 15-77..... | 1 | SIDE, LT ORG | 24.. | 539 10 91-17..... | 2 | BOLT $\frac{3}{8}$ -16 x $\frac{3}{4}$ RD HD SQNK |
| 9.. | 539 10 47-63..... | 8 | RETAINER, U TYPE $\frac{5}{16}$ -18 | 25.. | 539 99 03-16..... | 6 | BOLT $\frac{5}{16}$ -18 x $\frac{3}{4}$ RD HD SQNK |
| 10.. | 539 13 28-59..... | 1 | SHIELD, HEAT | 26.. | 539 99 02-08..... | 3 | BOLT $\frac{5}{16}$ -18 x 1 RD HD SQNK |
| 11.. | 575 24 52-02..... | 2 | BRACKET, DAMPENER | 27.. | 539 11 28-99..... | 12 | NUT $\frac{5}{16}$ -18 HEX FLANGE NYL |
| 12.. | 575 23 04-02..... | 1 | SHIELD, MUFFLER BLK | 28.. | 521 99 65-01..... | 2 | NUT $\frac{3}{8}$ -16 HEX FLG NYLOC |
| 13.. | 505 25 64-01..... | 2 | STOP, DECK | 29.. | 539 20 02-82..... | 6 | NUT $\frac{3}{8}$ -16 HEX JAM NYLOC |
| 14.. | 575 53 36-02..... | 2 | MOUNT, TANK BLK | 30.. | 539 99 02-50..... | 1 | WASHER |
| 15.. | 539 10 25-87..... | 5 | BUMPER | 31.. | 819 11 11-16..... | 2 | WASHER $\frac{5}{16}$ SAE FLAT |
| 16.. | 539 10 44-11..... | 1 | KNOB w/ STUD | | | | |

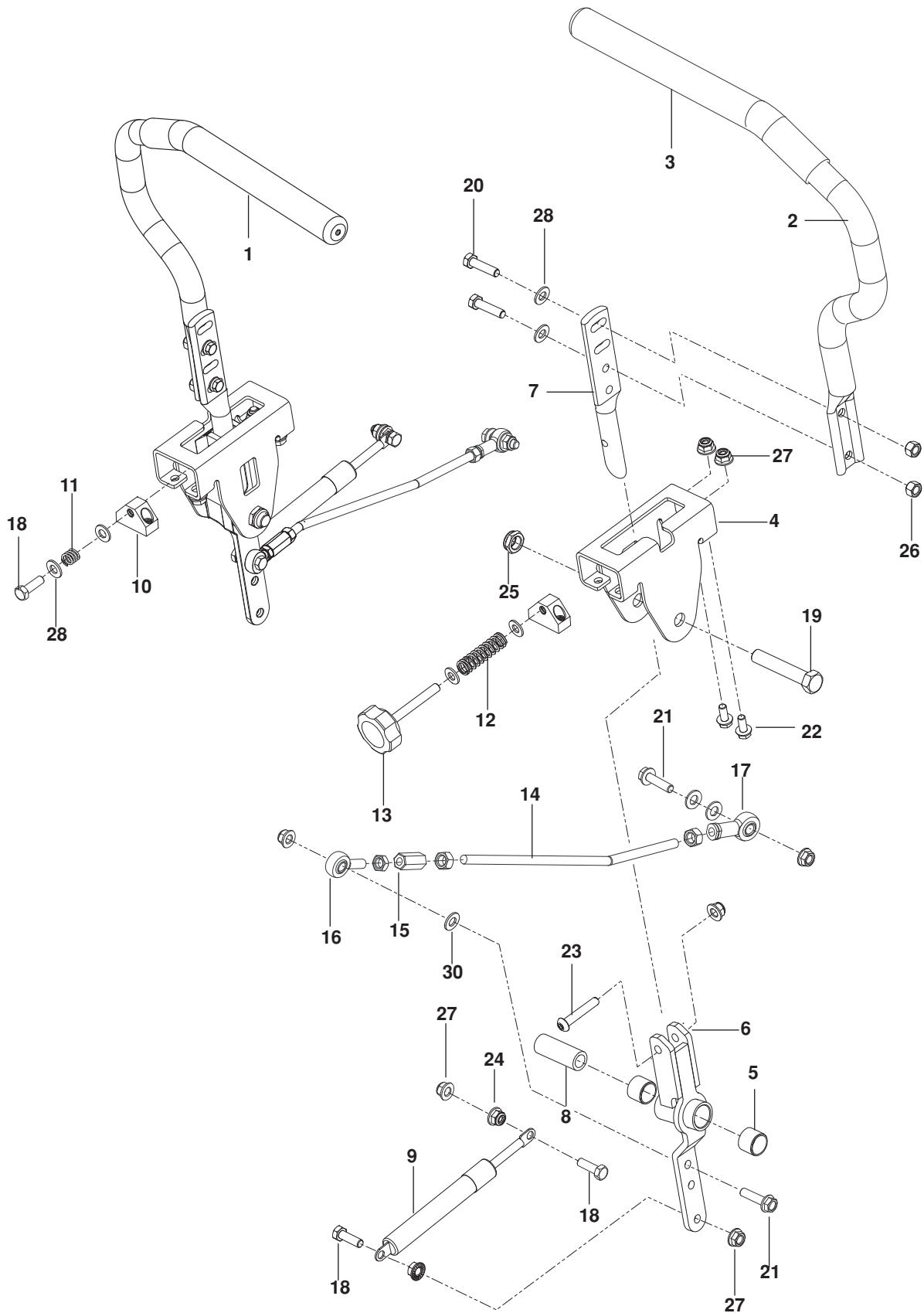
ENGINE PLATE



ENGINE PLATE

| ITEM | PART NO. | QTY. | DESCRIPTION | ITEM | PART NO. | QTY. | DESCRIPTION |
|------|-------------------|------|---|-----------------|-------------------|--|--|
| 1.. | 574 84 63-02..... | 1 | PLATE, ENGINE BLK | 29.. | 874 49 06-32..... | 1 | BOLT $\frac{3}{8}$ -16 x 2 HEX FLG HD |
| 2.. | 574 84 64-02..... | 1 | PLATE, IDLER SUPPORT BLK | 30.. | 539 99 02-09..... | 2 | BOLT $\frac{5}{16}$ -18 x 1 HEX HD |
| 3.. | 574 87 09-01..... | 1 | BELT, HYDRO | 31.. | 581 33 28-02..... | 1 | BOLT $\frac{7}{16}$ -20 x 2 $\frac{1}{2}$ HEX HD |
| 4.. | 585 81 37-01..... | 1 | PULLEY | 32.. | 539 10 34-33..... | 1 | BOLT $\frac{1}{2}$ -13 x 3 $\frac{1}{4}$ HEX HD |
| 5.. | 539 97 66-88..... | 1 | PULLEY, IDLER | 33.. | 817 49 05-12..... | 2 | SCREW $\frac{5}{16}$ -18 x $\frac{3}{4}$ THD FRM |
| 6.. | 539 10 76-20..... | 1 | PULLEY, IDLER SECONDARY | 34.. | 817 12 06-16..... | 4 | SCREW $\frac{3}{8}$ -16 x 1 THD FRM |
| 7.. | 510 04 16-03..... | 1 | ARM, IDLER w/ BEARINGS | 35.. | 532 18 39-06..... | 4 | SCREW $\frac{5}{16}$ -18 x $\frac{3}{4}$ SKT HD |
| 8.. | 581 88 10-01..... | 1 | EXHAUST TUBE, RT | 36.. | 539 99 03-02..... | 2 | SCREW $\frac{1}{4}$ -20 x $\frac{3}{8}$ THD FRM |
| 9.. | 581 88 11-01..... | 1 | EXHAUST TUBE, LT | 37.. | 539 11 28-99..... | 15 | NUT $\frac{5}{16}$ -18 HEX FLG NYLOC |
| 10.. | 510 20 63-01..... | 1 | PIVOT, BEARING | 38.. | 521 99 11-01..... | 1 | NUT $\frac{1}{2}$ -13 FLG NYLOC |
| 11.. | 525 43 56-01..... | 1 | PIVOT, IDLER | 39.. | 539 10 81-20..... | 3 | NUT $\frac{1}{4}$ -20 THIN NYLOC |
| 12.. | 532 17 93-35..... | 1 | CLUTCH | 40.. | 521 99 65-01..... | 2 | NUT $\frac{3}{8}$ -16 FLG NYLOC |
| 13.. | 539 10 47-63..... | 4 | RETAINER, U TYPE | 41.. | 539 99 06-13..... | 1 | NUT $\frac{3}{8}$ -16 WHIZLK |
| 14.. | 510 25 44-01..... | 1 | SPRING, PUMP | 42.. | 539 20 02-82..... | 4 | NUT $\frac{3}{8}$ -16 JAM NYLOC |
| 15.. | 539 11 46-62..... | 1 | SHIELD, DUST | 43.. | 539 11 18-97..... | 1 | WASHER $\frac{3}{8}$ SPECIAL |
| 16.. | 510 25 45-01..... | 2 | SHIELD, DUST | 44.. | 539 99 02-47..... | 1 | WASHER $\frac{7}{16}$ SLW |
| 17.. | 575 22 99-02..... | 1 | BRACKET, MUFFLER BLK | 45.. | 819 11 11-16..... | 2 | WASHER $\frac{5}{16}$ SAE |
| 18.. | 539 13 16-04..... | 1 | MUFFLER | 46.. | 539 99 00-53..... | 1 | WASHER $\frac{1}{4}$ INT TOOTH LK |
| 19.. | 532 19 25-07..... | 1 | SOLENOID | 47.. | 539 10 95-54..... | 2 | WASHER $\frac{1}{2}$ |
| 20.. | 585 81 36-01..... | 1 | STOP, CLUTCH | 48.. | 539 11 55-28..... | 1 | WASHER $\frac{1}{2}$ BELLEVILLE |
| 21.. | 532 13 15-63..... | 3 | INSULATOR | 49.. | 539 10 95-62..... | 1 | WASHER $\frac{3}{8}$ |
| 22.. | 532 16 53-91..... | 2 | GASKET, MUFFLER KAW | NOT SHOWN | | | |
| 23.. | 539 10 27-57..... | 1 | CABLE, POSITIVE | 532 198316..... | 1 | ADAPTER, CLUTCH | |
| 24.. | 539 91 27-57..... | 1 | KEY $\frac{1}{4}$ SQ x 1 $\frac{1}{4}$ | ----- | 1 | ENGINE, BRIGGS & STRATTON 25 HP For engine service and replacement parts, see a B&S dealer | |
| 25.. | 539 13 02-35..... | 1 | BOLT $\frac{3}{8}$ -16 x 2 $\frac{3}{4}$ RD HD SQNK | | | | |
| 26.. | 539 10 04-13..... | 1 | BOLT $\frac{3}{8}$ -16 x 1 $\frac{1}{4}$ RD HD SQNK | | | | |
| 27.. | 539 10 72-71..... | 2 | BOLT $\frac{5}{16}$ -18 x 1 RD HD SQNK | | | | |
| 28.. | 874 49 05-12..... | 11 | BOLT $\frac{5}{16}$ -18 x $\frac{3}{4}$ HEX FLG HD | | | | |

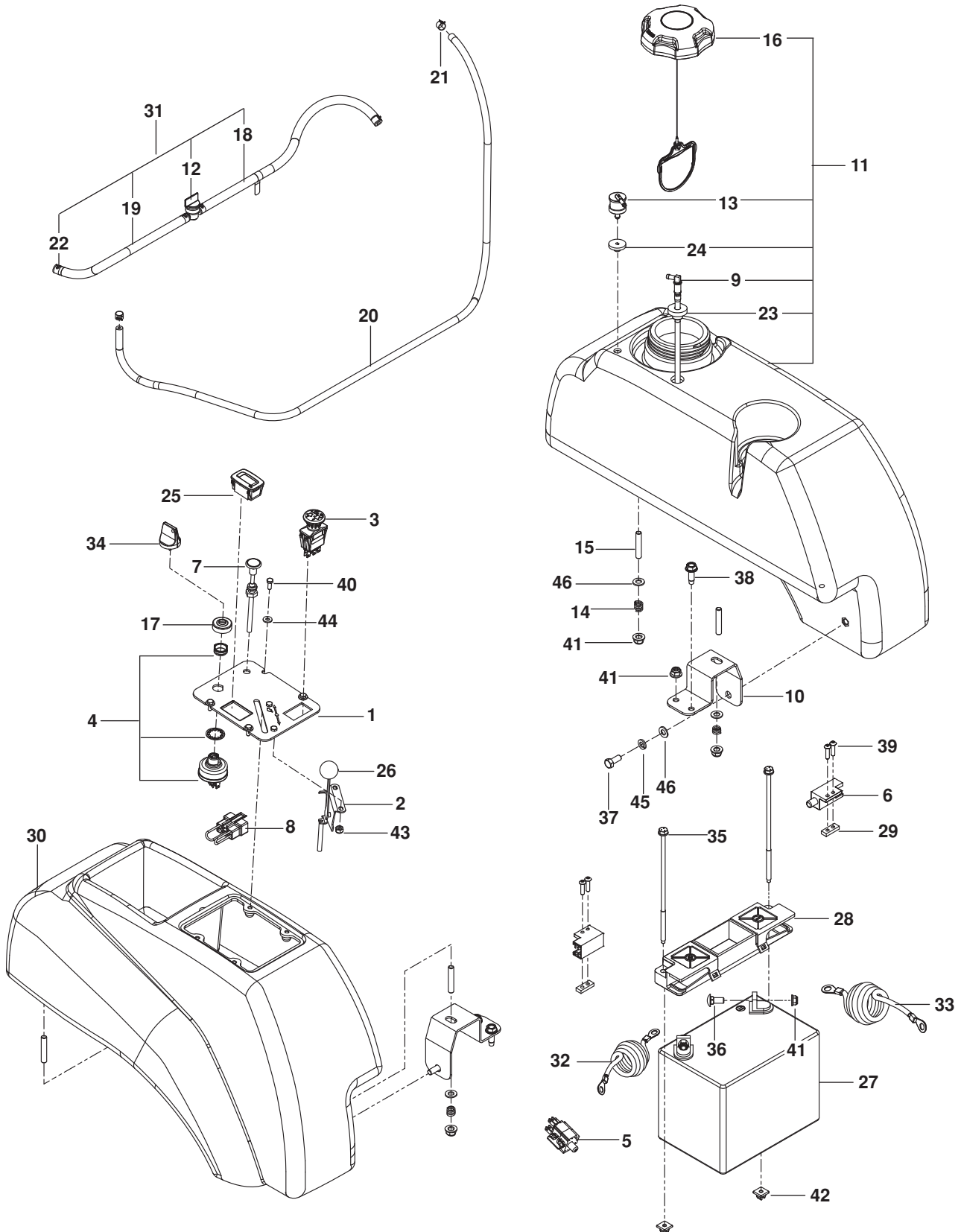
STEERING



STEERING

| ITEM | PART NO. | QTY. | DESCRIPTION | ITEM | PART NO. | QTY. | DESCRIPTION |
|------|--------------------|------|-----------------------|------|-------------------|------|--|
| 1.. | 539 13 20-09..... | 1 | LEVER w/ GRIP RT | 15.. | 539 11 66-89..... | 2 | COUPLER, ROD END |
| 2.. | 539 13 20-10..... | 1 | LEVER w/ GRIP LT | 16.. | 539 11 66-90..... | 2 | ROD END LT |
| 3.. | 539 13 08-94..... | 2 | GRIP, FOAM | 17.. | 539 11 57-29..... | 2 | ROD END RT |
| 4.. | 586 73 72-02..... | 2 | BRACKET, CONTROL | 18.. | 874 78 05-20..... | 5 | BOLT $\frac{5}{16}$ -18 x 1 $\frac{1}{4}$ HEX HD |
| 5.. | 532 43 82-82..... | 4 | BUSHING | 19.. | 874 78 08 44..... | 2 | BOLT $\frac{1}{2}$ -13 x 2 $\frac{3}{4}$ HEX HD |
| 6.. | 587 18 77 01..... | 2 | LEVER, CONTROL | 20.. | 539 97 69-35..... | 4 | BOLT $\frac{5}{16}$ -18 x 1 $\frac{1}{2}$ HEX HD |
| 7.. | 577 42 00-01..... | 2 | LEVER, HANDLE | 21.. | 525 54 40-01..... | 4 | BOLT $\frac{5}{16}$ -18 x 1 $\frac{1}{4}$ TPBLT |
| 8.. | 584 92 72-01..... | 2 | SPACER, PIVOT CONTROL | 22.. | 874 49 05 12..... | 8 | BOLT $\frac{5}{16}$ -18 X $\frac{3}{4}$ HEX FLG HD |
| 9.. | 539 10 27-20..... | 2 | DAMPENER | 23.. | 576 85 04-02..... | 2 | SCREW $\frac{5}{16}$ -18 X 1 $\frac{3}{4}$ BTN HD |
| 10.. | 581 43 75-01 | 2 | BLOCK, TRACKING | 24.. | 539 99 05-85..... | 4 | NUT $\frac{5}{16}$ -18 HEX WHIZLK |
| 11.. | 539 10 28-45..... | 1 | SPRING | 25.. | 539 10 80-10..... | 2 | NUT $\frac{1}{2}$ -13 HEX JAM NYL GR2 |
| 12.. | 576 85 03-01..... | 1 | SPRING | 26.. | 539 99 07-17..... | 6 | NUT $\frac{5}{16}$ -18 HEX NYLOC |
| 13.. | 539 13 17-99..... | 1 | KNOB | 27.. | 539 11 28-99..... | 10 | NUT $\frac{5}{16}$ -18 HEX FLG NYLOC |
| 14.. | 574 81 14-01..... | 2 | ROD, MOTION CONTROL | 28.. | 819 11 11-16..... | 12 | WASHER $\frac{5}{16}$ SAE FLT |

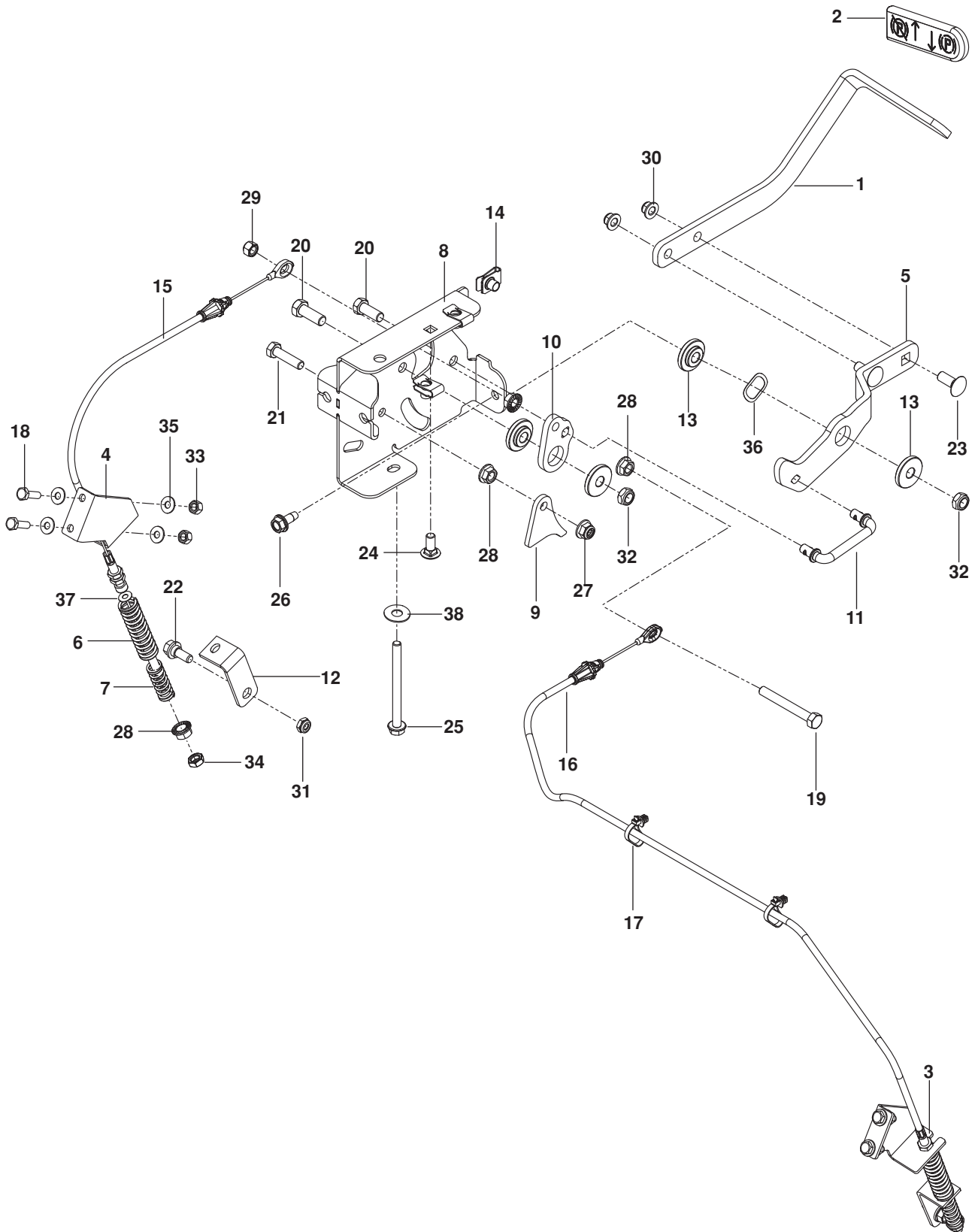
IGNITION



IGNITION

| ITEM | PART NO. | QTY. | DESCRIPTION | ITEM | PART NO. | QTY. | DESCRIPTION |
|------|-------------------|---------|--------------------------|-------------------|-------------------|--------------|-------------------------------|
| 1.. | 574 84 12-04..... | 1 | PLATE, CONSOLE, BLK | 25.. | 586 16 18-01..... | 1 | METER, SERVICE |
| 2.. | 539 11 24-38..... | 1 | CABLE, THROTTLE | 26.. | 539 13 30-49..... | 1 | KNOB |
| 3.. | 539 13 16-27..... | 1 | SWITCH, PTO 10 AMP | 27.. | 539 10 24-36..... | 1 | BATTERY |
| 4.. | 574 45 54-01..... | 1 | SWITCH, IGNITION | 28.. | 539 10 76-28..... | 1 | BATTERY HOLD DOWN |
| 5.. | 539 11 37-92..... | 1 | SWITCH, BRAKE | 29.. | 539 10 26-78..... | 2 | PLATE, TAPPED |
| 6.. | 532 10 95-53..... | 2 | SWITCH, INTERLOCK | 30.. | 539 10 75-93..... | 1 | CONSOLE, RT GRY |
| 7.. | 539 11 24-39..... | 1 | CHOKE CONTROL | 31.. | 586 12 39-01..... | 1 | ASSY, FUEL LINE |
| 8.. | 575 32 10-01..... | 1 | PLUG, TIMER | 32.. | 539 10 49-74..... | 1 | CABLE, POSITIVE 31" |
| 9.. | 576 46 92-01..... | 1 | FITTING, FUEL | 33.. | 539 10 76-45..... | 1 | CABLE, NEGATIVE 32" |
| 10.. | 539 13 16-71..... | 2 | SUPPORT, TANK, BLK | 34.. | 574 45 55-01..... | 1 | KEY, IGNITION |
| 11.. | 585 72 23-01..... | 1 | TANK ASSY LT GRY | 35.. | 539 10 76-32..... | 2 | BOLT 1/4 x 7 1/2 |
| 12.. | 539 91 63-25..... | 1 | VALVE, FUEL | 36.. | 539 99 03-16..... | 2 | BOLT 5/16-18 x 3/4 RD HD SQNK |
| 13.. | 576 61 81-01..... | 1 | VALVE, FUEL CHECK | 37.. | 874 78 05-12..... | 2 | BOLT 5/16-18 x 3/4 HEX HD |
| 14.. | 539 10 28-45..... | 6 | SPRING | 38.. | 817 49 05-16..... | 3 | SCREW 5/16-18 x 1 THD FRM |
| 15.. | 539 10 25-02..... | 6 | STUD 5/16-18 | 39.. | 574 82 27-01..... | 4 | SCREW #10-24 x 3/4 SKT HD |
| 16.. | 575 01 81-01..... | 1 | FUEL CAP w /TETHER | 40.. | 539 99 04-11..... | 6 | SCREW #10-24 x 1/2 SLT |
| 17.. | 539 10 31-78..... | 1 | CAP, IGNITION SWITCH NUT | 41.. | 539 11 28-99..... | 12 | NUT 5/16-18 HEX FLANGE NYL |
| 18.. | 587 04 48-26..... | 1 | HOSE, FUEL 26" | 42.. | 539 10 76-29..... | 2 | NUT 1/4 PUSH NYLON |
| 19.. | 587 04 48 10..... | 1 | HOSE, FUEL 10" | 43.. | 539 97 69-77..... | 2 | NUT #10-24 NYLOC |
| 20.. | 587 04 45-27..... | 1 | HOSE 3/16 VAPOR 27" | 44.. | 819 07 08-18..... | 4 | WASHER #10 |
| 21.. | 575 43 65-01..... | 2 | CLAMP, HOSE | 45.. | 810 03 05-00..... | 2 | WASHER 5/16 SLW |
| 22.. | 539 91 22-22..... | 4 | CLAMP, HOSE | 46.. | 819 11 11-16..... | 8 | WASHER 5/16 SAE |
| 23.. | 539 10 52-45..... | 1 | GROMMET, RUBBER | NOT SHOWN | | | |
| 24.. | 576 61 82-01..... | 1 | GROMMET, CHECK VALVE | 585 99 97-01..... | 1 | HARNES, MAIN | |

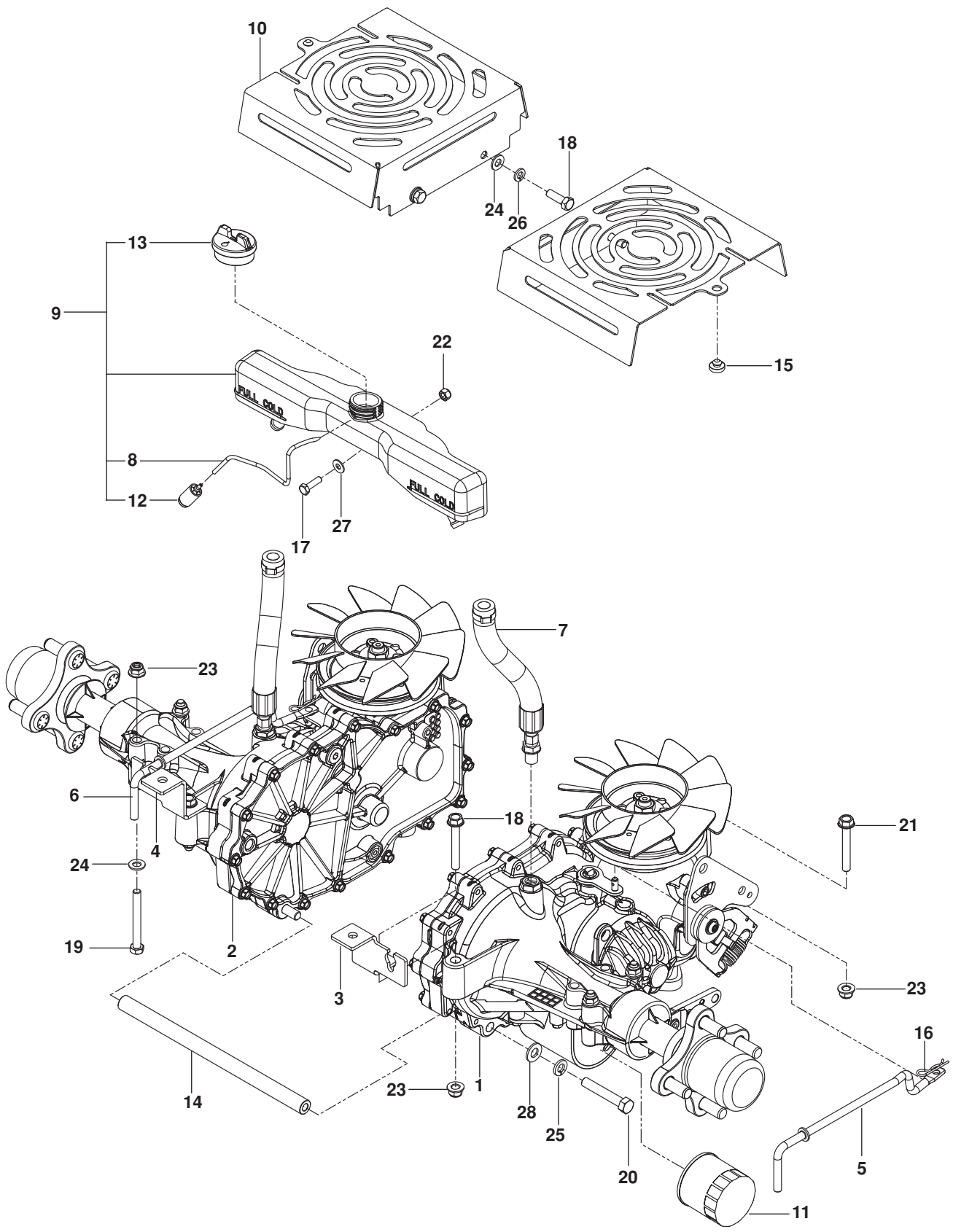
PARK BRAKE



PARK BRAKE

| ITEM | PART NO. | QTY. | DESCRIPTION | ITEM | PART NO. | QTY. | DESCRIPTION |
|------|-------------------|------|---|------|-------------------|------|---|
| 1.. | 539 13 21-51..... | 1 | ARM, BRAKE | 21.. | 539 99 02-09..... | 1 | BOLT $\frac{5}{16}$ -18 x 1 HEX HD |
| 2.. | 539 10 50-36..... | 1 | GRIP, BRAKE HANDLE | 22.. | 539 11 03-03..... | 2 | BOLT $\frac{5}{16}$ SHOULDER |
| 3.. | 575 22 96-02..... | 1 | BRACKET, RT BLK | 23.. | 539 99 06-45..... | 2 | BOLT $\frac{3}{8}$ -16 x 1 RD HD SQNK |
| 4.. | 575 22 97-02..... | 1 | BRACKET, LT BLK | 24.. | 539 99 03-16..... | 1 | BOLT $\frac{5}{16}$ -18 x $\frac{3}{4}$ RD HD SQNK |
| 5.. | 539 13 24-23..... | 1 | LEVER, BRAKE | 25.. | 539 13 17-80..... | 1 | BOLT $\frac{5}{16}$ -18 x $3\frac{3}{4}$ HEX FLG HD |
| 6.. | 575 23 02-01..... | 2 | SPRING, RETURN | 26.. | 539 10 74-75..... | 1 | BOLT $\frac{5}{16}$ -18 x $\frac{3}{4}$ THD FRM |
| 7.. | 575 23 03-01..... | 2 | SPRING, ENGAGEMENT | 27.. | 539 11 28-99..... | 4 | NUT $\frac{5}{16}$ -18 FLANGE NYLOC |
| 8.. | 539 13 21-58..... | 1 | MOUNT, BRAKE | 28.. | 539 99 05-85..... | 5 | NUT $\frac{5}{16}$ -18 HEX WHIZLK |
| 9.. | 539 13 21-54..... | 1 | ACTUATOR, SWITCH | 29.. | 539 99 07-17..... | 1 | NUT $\frac{5}{16}$ -18 HEX NYLOC |
| 10.. | 539 13 21-53..... | 1 | BELLCRANK, BRAKE | 30.. | 521 99 65-01..... | 2 | NUT $\frac{3}{8}$ -16 HEX FLG NYLOC |
| 11.. | 539 13 24-24..... | 1 | LINKAGE, BRAKE | 31.. | 539 11 56-17..... | 2 | NUT $\frac{5}{16}$ HEX NYLOC |
| 12.. | 575 22 98-02..... | 2 | BRACKET, BRAKE | 32.. | 539 20 02-82..... | 2 | NUT $\frac{3}{8}$ -16 HEX JAM NYLOC |
| 13.. | 539 13 21-61..... | 4 | BUSHING, BRAKE | 33.. | 539 97 69-78..... | 4 | NUT $\frac{1}{4}$ -20 HEX NYLOC |
| 14.. | 539 10 47-63..... | 3 | RETAINER, U TYPE $\frac{5}{16}$ -18 | 34.. | 539 10 78-97..... | 2 | NUT $\frac{5}{16}$ -18 HEX JAM |
| 15.. | 539 13 21-73..... | 1 | CABLE, BRAKE SHORT | 35.. | 539 99 00-55..... | 8 | WASHER $\frac{1}{4}$ SAE FLT |
| 16.. | 539 13 21-74..... | 2 | CABLE, BRAKE LONG | 36.. | 539 13 30-07..... | 1 | WASHER .825 WAVE |
| 17.. | 505 28 00-01..... | 2 | TIE w/ CLIP | 37.. | 539 99 01-22..... | 2 | WASHER $\frac{3}{8}$ SAE |
| 18.. | 539 99 06-43..... | 4 | BOLT $\frac{1}{4}$ -20 x $\frac{7}{8}$ HEX HD | 38.. | 539 10 95-54..... | 1 | WASHER $\frac{1}{2}$ FLAT |
| 19.. | 539 10 83-96..... | 1 | BOLT $\frac{5}{16}$ -18 x $2\frac{1}{2}$ HEX HD | | | | |
| 20.. | 539 99 05-63..... | 2 | BOLT $\frac{3}{8}$ -16 x 1 HEX HD | | | | |

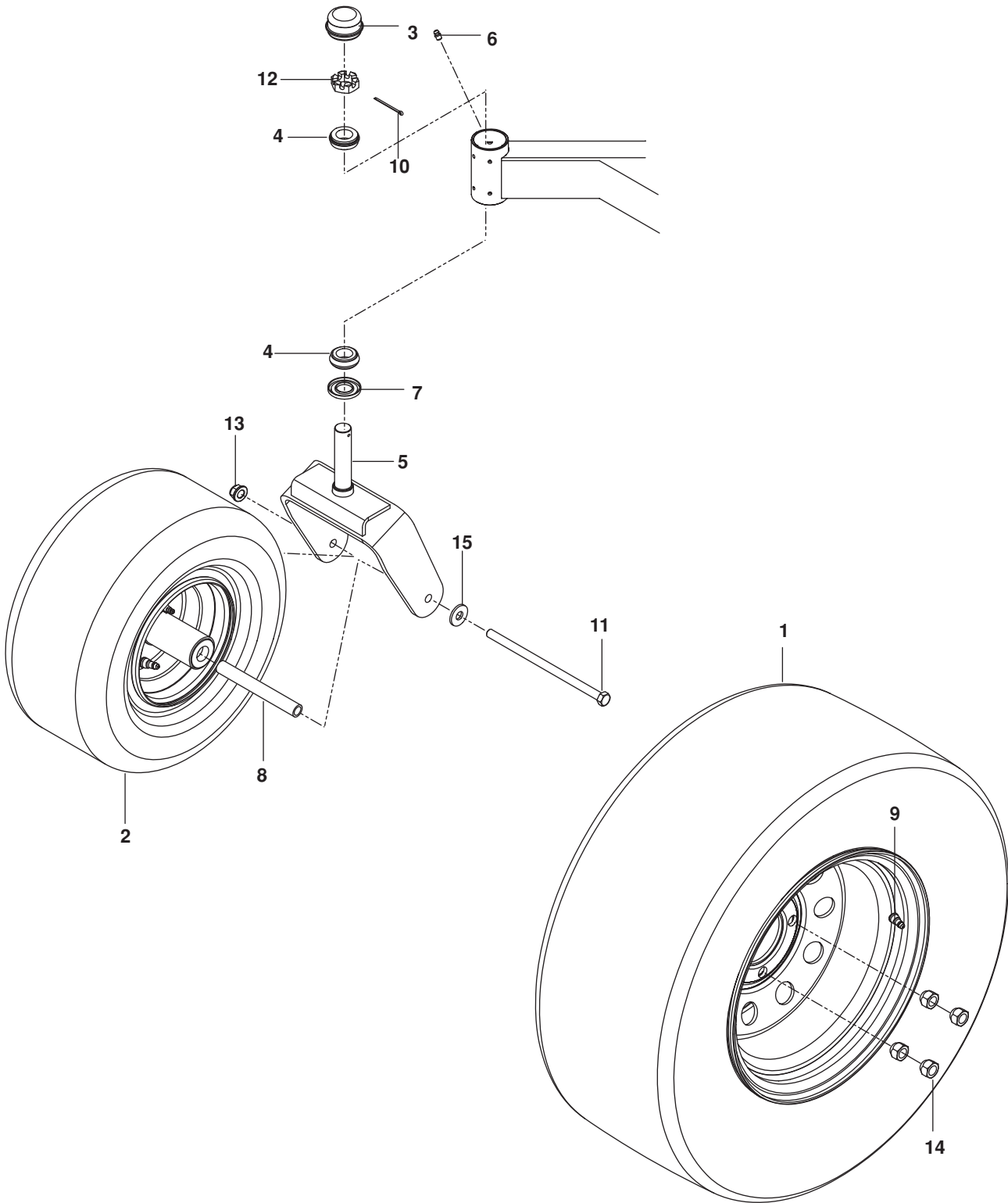
HYDRAULIC PUMP-MOTOR



HYDRAULIC PUMP-MOTOR

| ITEM | PART NO. | QTY. | DESCRIPTION | ITEM | PART NO. | QTY. | DESCRIPTION |
|------|-------------------|---------|---------------------|------|-------------------|---------|---------------------------------|
| 1.. | 577 22 77-02..... | 1 | TRANS, ZT-3100, LT | 15.. | 539 10 25-87..... | 2 | GROMMET, BUMPER |
| 2.. | 577 22 77-01..... | 1 | TRANS, ZT-3100, RT | 16.. | 539 97 69-88..... | 2 | HAIRPIN COTTER |
| 3.. | 575 01 71-02..... | 1 | BRACKET, TRANS, LT | 17.. | 539 99 06-43..... | 1 | BOLT 1/4-20 x 7/8 HEX HD |
| 4.. | 575 01 70-02..... | 1 | BRACKET, TRANS, RT | 18.. | 539 99 02-09..... | 4 | BOLT 5/16-18 x 1 HEX HD |
| 5.. | 539 13 16-16..... | 1 | LINKAGE, BYPASS LT | 19.. | 539 10 17-21..... | 4 | BOLT 5/16-18 x 2 3/4 HEX HD |
| 6.. | 539 13 16-18..... | 1 | LINKAGE, BYPASS RT | 20.. | 539 10 85-51..... | 2 | BOLT 3/8-16 x 2 1/2 HEX HD GR8 |
| 7.. | 574 89 21-01..... | 2 | HOSE, EXPANSION | 21.. | 574 23 38-01..... | 4 | BOLT 5/16-18 x 2 1/4 HEX FLG HD |
| 8.. | 586 06 75-01..... | 1 | HOSE, FUEL | 22.. | 539 97 69-78..... | 1 | NUT 1/4-20 HEX NYLOC |
| 9.. | 585 31 82-01..... | 1 | TANK, EXPANSION | 23.. | 539 11 28-99..... | 8 | NUT 5/16-18 HEX FLG NYLOC |
| 10.. | 584 99 42-02..... | 2 | COVER, FAN | 24.. | 819 11 11-16..... | 8 | WASHER 5/16 SAE FLT |
| 11.. | 539 11 34-66..... | 2 | FILTER, HYDRO | 25.. | 539 99 01-18..... | 2 | WASHER 3/8 SPLT LK |
| 12.. | 530 09 56-46..... | 1 | FILTER | 26.. | 539 99 01-87..... | 4 | WASHER 5/16 SLW |
| 13.. | 586 07 27-01..... | 1 | CAP, TANK | 27.. | 539 99 00-55..... | 1 | WASHER 1/4 SAE FLT |
| 14.. | 574 86 85-01..... | 1 | TUBE 10 3/8" SPACER | 28.. | 539 99 01-22..... | 2 | WASHER 3/8 SAE FLT |

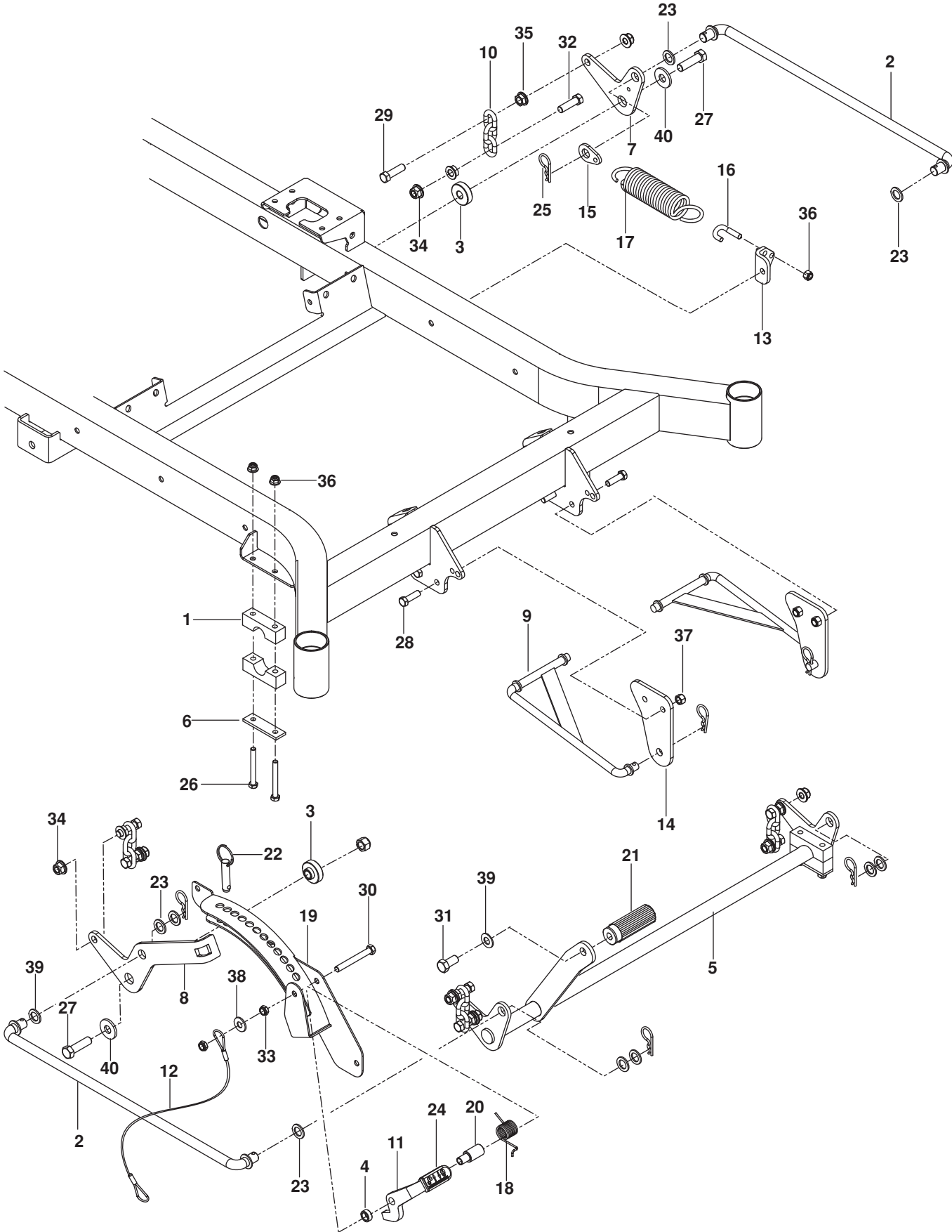
WHEELS



WHEELS

| ITEM | PART NO. | QTY. | DESCRIPTION | ITEM | PART NO. | QTY. | DESCRIPTION |
|------|-------------------|--------|-------------------------|------|--------------------|--------|----------------------------|
| 1.. | 580 74 70-01..... | 2..... | WHEEL ASSY 22 x 10-10 | 9.. | 539 91 22-34..... | 2..... | AIR VALVE |
| 2.. | 581 19 95-01..... | 2..... | WHEEL ASSY 13 x 6.5 | 10.. | 539 10 28-89..... | 2..... | COTTER PIN 1/8 x 2 |
| 3.. | 539 10 25-35..... | 2..... | CAP, GREASE | 11.. | 539 10 55-17..... | 2..... | BOLT 1/2-13 x 9 1/2 HEX HD |
| 4.. | 539 10 25-43..... | 4..... | BEARING, ROLLER TAPERED | 12.. | 539 10 28-52..... | 2..... | NUT 1"-14 SLOTTED JAM |
| 5.. | 575 32 92-02..... | 2..... | YOKE, CASTER, ORG | 13.. | 521 99 11-01 | 2..... | NUT 1/2-13 HEX FLG NYLOC |
| 6.. | 539 10 14-74..... | 2..... | ZERK | 14.. | 539 10 11-73..... | 8..... | NUT 1/2-20 LUG |
| 7.. | 539 10 28-51..... | 2..... | SEAL | 15.. | 539 10 95-54..... | 2..... | WASHER 1/2 FLT |
| 8.. | 575 33 49-01..... | 2..... | SPACER, PIVOT | | | | |

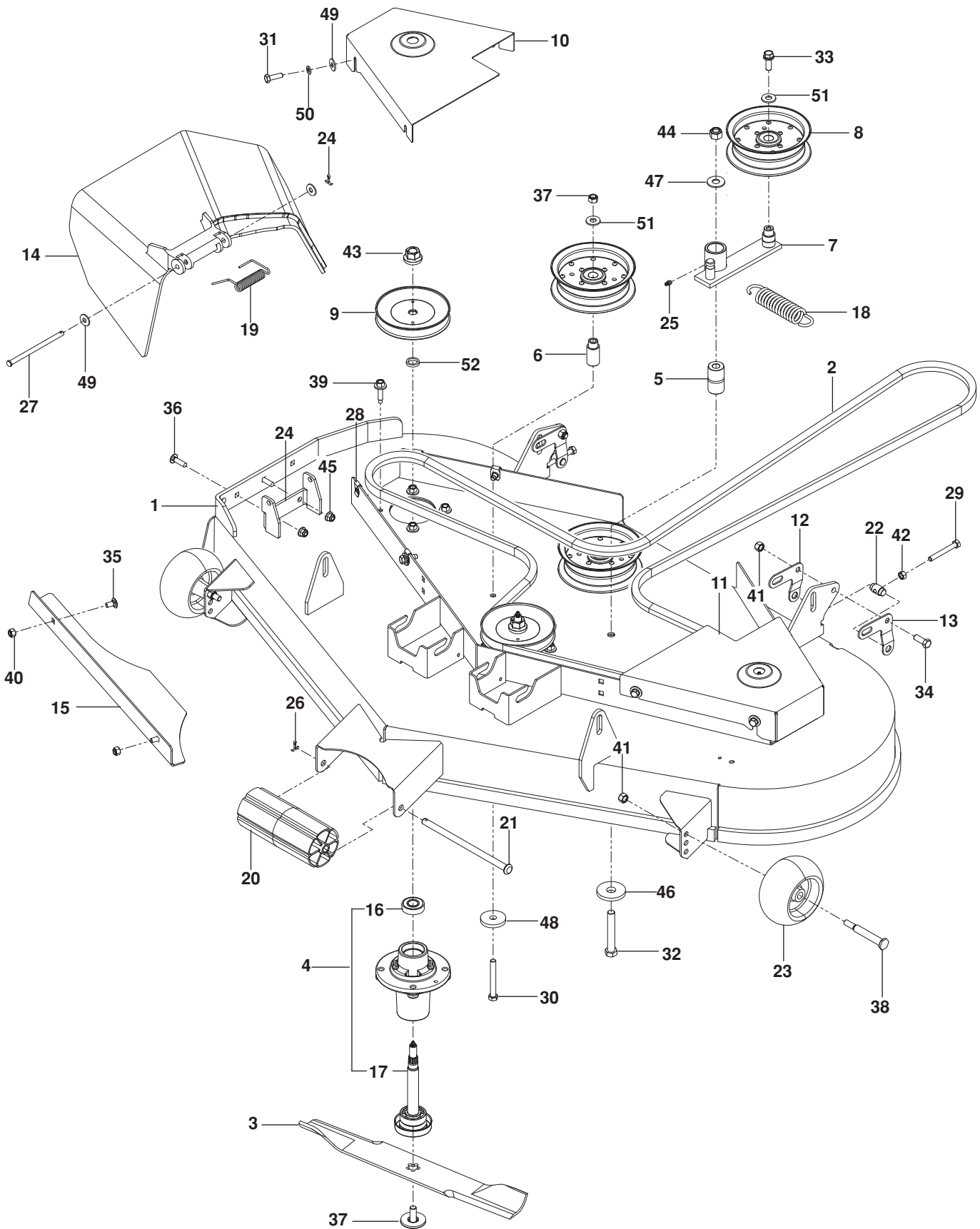
MOWER LIFT / DECK LIFT



MOWER LIFT / DECK LIFT

| ITEM | PART NO. | QTY. | DESCRIPTION | ITEM | PART NO. | QTY. | DESCRIPTION |
|------|-------------------|--------|-------------------------|------|-------------------|---------|----------------------------|
| 1.. | 539 10 48-08..... | 4..... | PILLOW BLOCK | 21.. | 510 40 83-01..... | 1..... | PEDAL, FOOT |
| 2.. | 539 11 08-08..... | 2..... | LINK, DECK LIFT | 22.. | 539 13 21-82..... | 1..... | PIN ½ x 1½ DETENT RING |
| 3.. | 586 70 17-01..... | 2..... | SPACER, IDLER | 23.. | 539 99 10-43..... | 10..... | BUSHING .625 |
| 4.. | 539 13 18-61..... | 1..... | SPACER | 24.. | 539 13 28-51..... | 1..... | GRIP |
| 5.. | 581 21 52-02..... | 1..... | SHAFT, FRONT LIFT BLK | 25.. | 539 11 55-01..... | 6..... | PIN, COTTER 1¾ |
| 6.. | 539 10 48-07..... | 2..... | REINFORCEMENT BAR | 26.. | 539 10 17-21..... | 4..... | BOLT 5/16-18 x 2¾ HEX HD |
| 7.. | 539 13 18-97..... | 1..... | BELLCRANK, RR, LIFT BLK | 27.. | 539 10 81-81..... | 2..... | BOLT ½-13 x 1¾ GR 8 HEX HD |
| 8.. | 539 13 18-53..... | 1..... | BELLCRANK, RR, RT BLK | 28.. | 539 97 69-41..... | 4..... | BOLT 3/8-16 X 1¼ HEX HD |
| 9.. | 539 11 22-23..... | 2..... | LINKAGE, STRUT | 29.. | 539 10 11-75..... | 4..... | BOLT 7/16-14 x 1½ HEX HD |
| 10.. | 539 10 96-93..... | 4..... | LIFT CHAIN-3 LINK | 30.. | 874 78 06-48..... | 1..... | BOLT 3/8-16 x 3 HEX HD |
| 11.. | 539 13 15-66..... | 1..... | LATCH, TRANSPORT | 31.. | 539 99 06-46..... | 1..... | BOLT ½-13 x 1 HEX HD |
| 12.. | 539 10 50-59..... | 1..... | LANYARD | 32.. | 539 10 80-73..... | 4..... | BOLT 7/16-14 x 1¾ HEX HD |
| 13.. | 539 13 17-91..... | 1..... | MOUNT, SPRING | 33.. | 539 20 02-82..... | 2..... | NUT 3/8-16 HEX JAM NYLOC |
| 14.. | 539 13 20-17..... | 2..... | MOUNT, STRUT | 34.. | 539 13 20-19..... | 8..... | NUT 7/16-14 HEX WHIZ LK |
| 15.. | 539 13 17-92..... | 1..... | TAB, SPRING | 35.. | 539 10 25-82..... | 8..... | NUT 7/16-14 HEX WHIZ LK |
| 16.. | 539 11 28-96..... | 1..... | J-BOLT | 36.. | 539 11 28-99..... | 5..... | NUT 5/16-18 HEX FLG NYLOC |
| 17.. | 539 10 26-42..... | 1..... | SPRING | 37.. | 539 97 69-79..... | 4..... | NUT 3/8-16 HEX NYLOC |
| 18.. | 539 13 27-34..... | 1..... | SPRING, TORSION | 38.. | 819 14 14-16..... | 1..... | WASHER 3/8 FLT |
| 19.. | 539 13 18-50..... | 1..... | HEIGHT ADJUST, DECK | 39.. | 539 10 28-43..... | 1..... | WASHER 7/16 SPRING |
| 20.. | 539 13 18-60..... | 1..... | PIVOT LATCH, TRANSPORT | 40.. | 539 10 95-54..... | 2..... | WASHER ½ FLT |

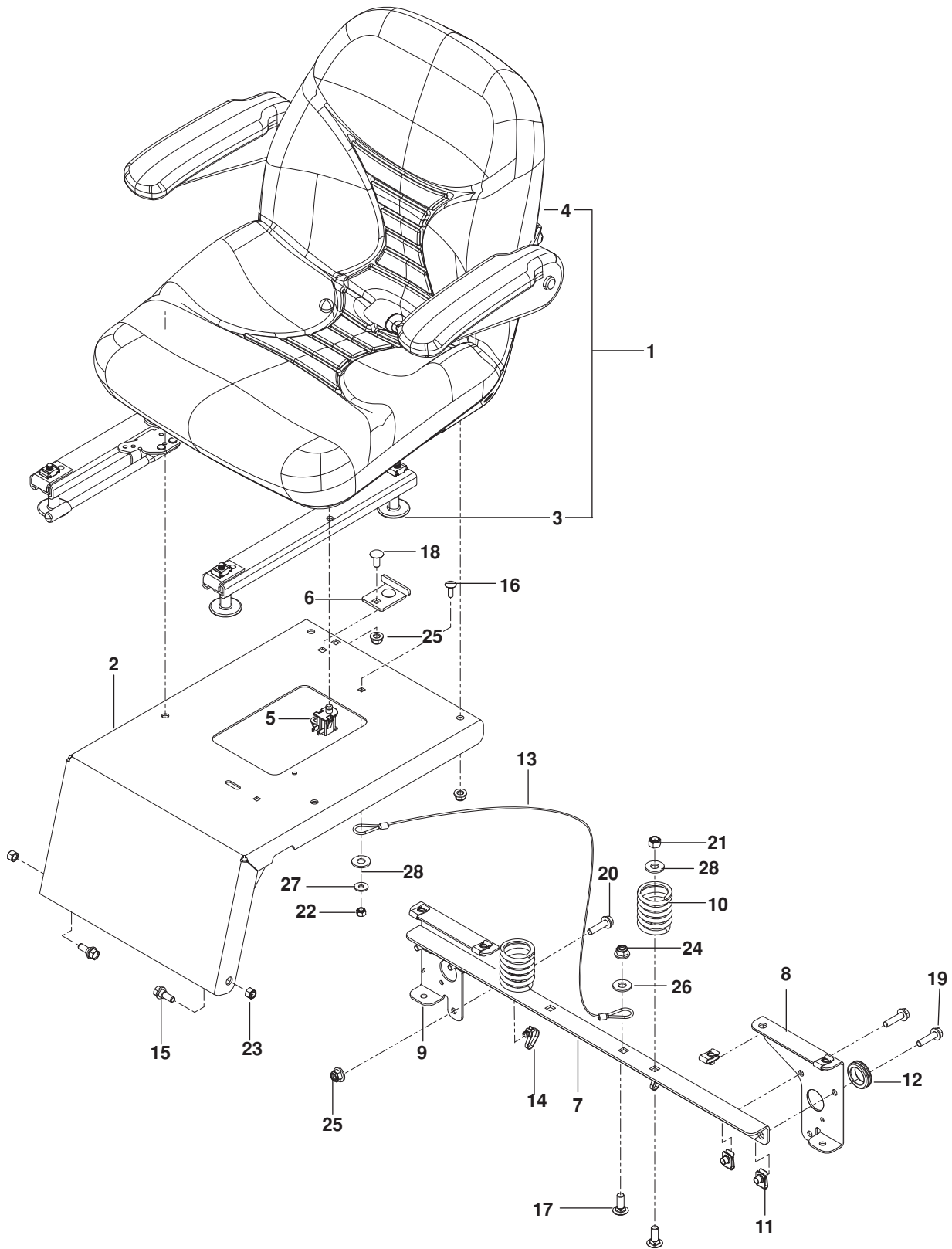
MOWER DECK / CUTTING DECK



MOWER DECK / CUTTING DECK

| ITEM | PART NO. | QTY. | DESCRIPTION | ITEM | PART NO. | QTY. | DESCRIPTION |
|------|-------------------|------|---|------|-------------------|------|--|
| 1.. | 581 50 53-01..... | 1 | DECK w/ SAFETY DECALS | 27.. | 539 11 07-36..... | 1 | PIN, CLEVIS ⁵ / ₁₆ |
| 2.. | 539 10 70-95..... | 1 | BELT, DECK | 28.. | 539 10 47-63..... | 8 | RETAINER, U TYPE ⁵ / ₁₆ -18 |
| 3.. | 539 11 20-79..... | 3 | BLADE, 18" | 29.. | 539 10 83-96..... | 2 | BOLT ⁵ / ₁₆ -18 x 2 ¹ / ₂ TPBLT |
| 4.. | 539 11 21-70..... | 3 | HOUSING ASSEMBLY | 30.. | 874 78 06-48..... | 2 | BOLT ³ / ₈ -16 x 3 HEX HD |
| 5.. | 539 10 34-27..... | 1 | BUSHING, PIVOT | 31.. | 874 78 05-16..... | 8 | BOLT ⁵ / ₁₆ -18 x 1 HEX HD |
| 6.. | 539 11 21-69..... | 2 | BUSHING, IDLER | 32.. | 539 10 34-33..... | 1 | BOLT ¹ / ₂ -13 x 3 ¹ / ₄ HEX HD |
| 7.. | 539 11 21-98..... | 1 | ARM, IDLER | 33.. | 539 99 05-82..... | 1 | BOLT ³ / ₈ -16 x 1 WHIZLK |
| 8.. | 539 13 27-28..... | 3 | PULLEY, IDLER | 34.. | 539 99 05-63..... | 2 | BOLT ³ / ₈ -16 x 1 HEX HD |
| 9.. | 532 17 34-36..... | 3 | PULLEY | 35.. | 872 11 05-05..... | 3 | BOLT ⁵ / ₁₆ -18 x ⁵ / ₈ HEX FLG HD |
| 10.. | 539 11 22-42..... | 1 | BELT SHIELD, RT ORG | 36.. | 872 11 05-08..... | 2 | BOLT ⁵ / ₁₆ -18 x 1 HEX FLG HD |
| 11.. | 539 11 22-44..... | 1 | BELT SHIELD, LT ORG | 37.. | 539 10 75-22..... | 3 | BOLT ⁷ / ₁₆ BLADE |
| 12.. | 584 85 94-02..... | 2 | PITCH, ADJUST, RT | 38.. | 532 13 76-44..... | 2 | BOLT, SHOULDER |
| 13.. | 584 85 94-04..... | 2 | PITCH, ADJUST, LT | 39.. | 584 95 39-01..... | 12 | SCREW ⁵ / ₁₆ -18 WSH HD |
| 14.. | 539 11 07-33..... | 1 | CHUTE, DISCHARGE | 40.. | 873 80 05-00..... | 3 | NUT ⁵ / ₁₆ -18 HEX NYLOC |
| 15.. | 539 11 24-17..... | 1 | PLATE, CONFINEMENT | 41.. | 539 97 69-79..... | 6 | NUT ³ / ₈ -16 HEX NYLOC |
| 16.. | 532 11 04-85..... | 3 | BEARING, BALL | 42.. | 539 99 01-96..... | 2 | NUT ⁵ / ₁₆ -18 HEX |
| 17.. | 532 18 72 91..... | 3 | SHAFT | 43.. | 539 10 75-90..... | 3 | NUT ⁹ / ₁₆ TOP CENTER LOCK |
| 18.. | 539 10 32-56..... | 1 | SPRING | 44.. | 539 10 13-31..... | 1 | NUT ¹ / ₂ HEX NYLOC |
| 19.. | 539 11 07-35..... | 1 | SPRING, TORSION | 45.. | 539 11 28-99..... | 2 | NUT ⁵ / ₁₆ -18 HEX FLG NYLOC |
| 20.. | 532 17 60-66..... | 1 | ROLLER, NOSE | 46.. | 539 10 22-43..... | 1 | WASHER, SUPPORT |
| 21.. | 532 17 91-27..... | 1 | ROD, ROLLER, NOSE | 47.. | 539 99 05-50..... | 1 | WASHER ¹ / ₂ STD FLT |
| 22.. | 539 13 18-59..... | 1 | TRUNION, PITCH | 48.. | 539 10 65-04..... | 2 | WASHER, HEAVY |
| 23.. | 539 10 76-10..... | 2 | WHEEL, GAUGE | 49.. | 819 12 14-14..... | 10 | WASHER ⁵ / ₁₆ STD FLT |
| 24.. | 581 60 60-02..... | 1 | BRACKET ORG | 50.. | 810 03 05-00..... | 8 | WASHER ⁵ / ₁₆ SLW |
| 25.. | 539 97 69-98..... | 1 | ZERK | 51.. | 819 14 16-14..... | 3 | WASHER ³ / ₈ STD FLT |
| 26.. | 539 99 03-65..... | 2 | PIN, COTTER ¹ / ₈ x ³ / ₄ | 52.. | 539 10 75-20..... | 3 | WASHER-SPACER |

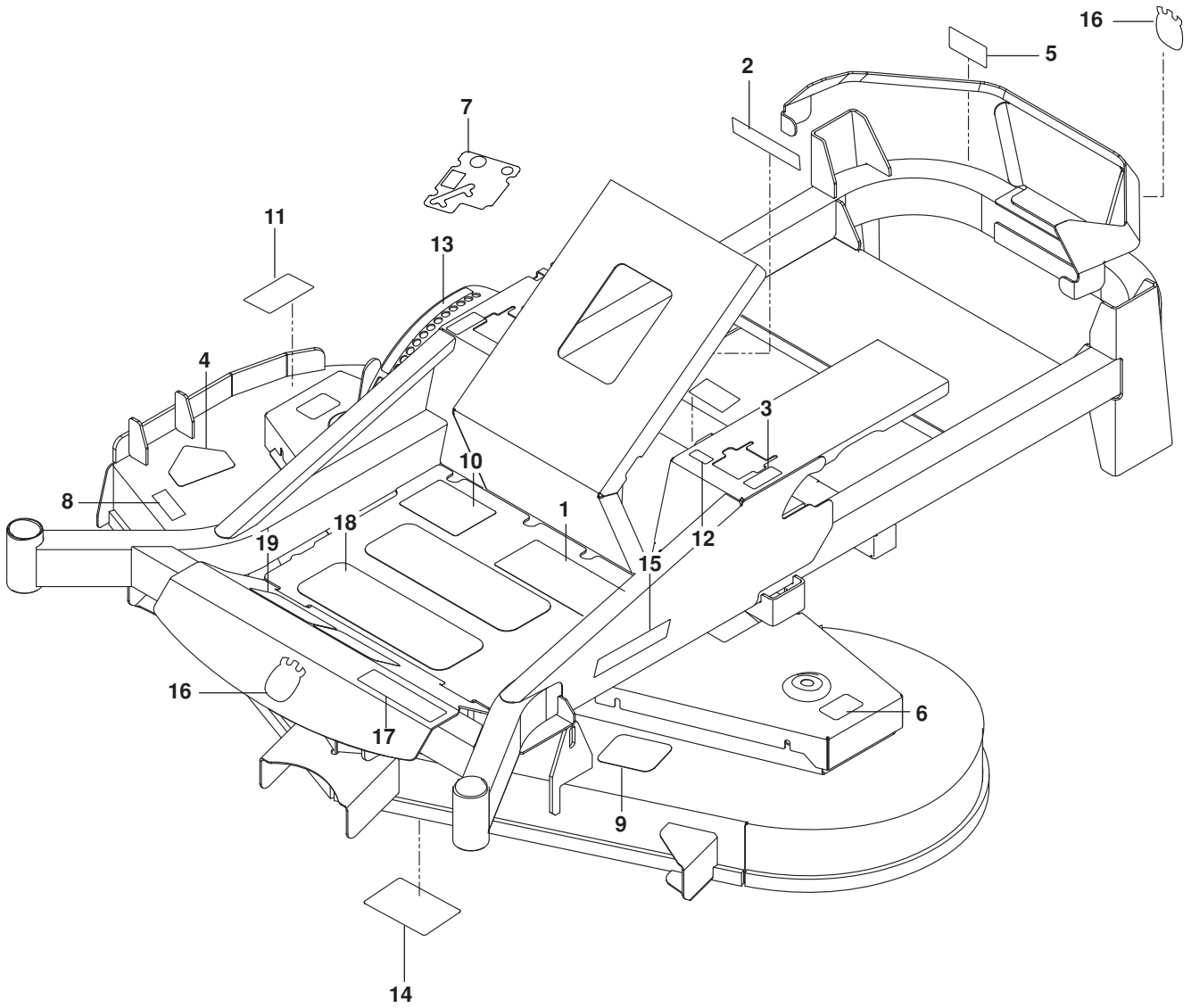
SEAT



SEAT

| ITEM | PART NO. | QTY. | DESCRIPTION | ITEM | PART NO. | QTY. | DESCRIPTION |
|------|-------------------|------|----------------------|------|-------------------|------|--|
| 1.. | 539 13 08-73..... | 1 | SEAT ASSY | 14.. | 505 28 00-01..... | 2 | TIE WRAP w/ CLIP |
| 2.. | 575 60 86-01..... | 1 | MOUNT, SEAT w/ DECAL | 15.. | 539 13 08-96..... | 2 | BOLT ⁵ / ₁₆ -18 SHOULDER |
| 3.. | 539 11 20-37..... | 1 | RAIL SET, SEAT | 16.. | 539 99 00-74..... | 1 | BOLT ¹ / ₄ -40 x ³ / ₄ RD HD SQNK |
| 4.. | 539 11 20-36..... | 1 | ARM REST, LT | 17.. | 539 99 06-45..... | 3 | BOLT ³ / ₈ -16 x 1 RD HD SQNK |
| | 539 11 20-35..... | 1 | ARM REST, RT | 18.. | 872 05 05-06..... | 2 | BOLT ⁵ / ₁₆ -18 x ³ / ₄ RD HD SQNK |
| 5.. | 532 42 10-62..... | 1 | SWITCH, SEAT | 19.. | 525 54 40-01..... | 4 | BOLT ⁵ / ₁₆ -18 x 1 ¹ / ₄ HEX FLG HD |
| 6.. | 539 13 07-93..... | 1 | DECK STOP | 20.. | 525 46 47-01..... | 2 | BOLT ⁵ / ₁₆ -18 x ³ / ₄ HEX FLG HD |
| 7.. | 539 13 16-56..... | 1 | SUPPORT, SEAT | 21.. | 539 97 69-79..... | 2 | NUT ³ / ₈ -16 HEX NYLOC |
| 8.. | 584 99 02-02..... | 1 | SUPPORT, LT | 22.. | 539 97 69-78..... | 1 | NUT ¹ / ₄ -20 HEX NYLOC |
| 9.. | 584 99 01-02..... | 1 | SUPPORT, RT | 23.. | 539 99 07-17..... | 2 | NUT ⁵ / ₁₆ -18 HEX NYLOC |
| 10.. | 532 12 41-81..... | 2 | SPRING, SEAT | 24.. | 521 99 65-01..... | 1 | NUT ³ / ₈ -16 HEX FLG NYLOC |
| 11.. | 539 10 47-63..... | 8 | RETAINER, U TYPE | 25.. | 539 11 28-99..... | 8 | NUT ⁵ / ₁₆ -18 HEX FLG NYLOC |
| 12.. | 539 10 59-74..... | 1 | GROMMET RUBBER | 26.. | 539 99 05-17..... | 4 | WASHER ³ / ₈ FLAT STD |
| 13.. | 539 10 32-47..... | 1 | LANYARD, SEAT | 27.. | 539 99 05-98..... | 1 | WASHER ¹ / ₄ FLAT |

DECALS

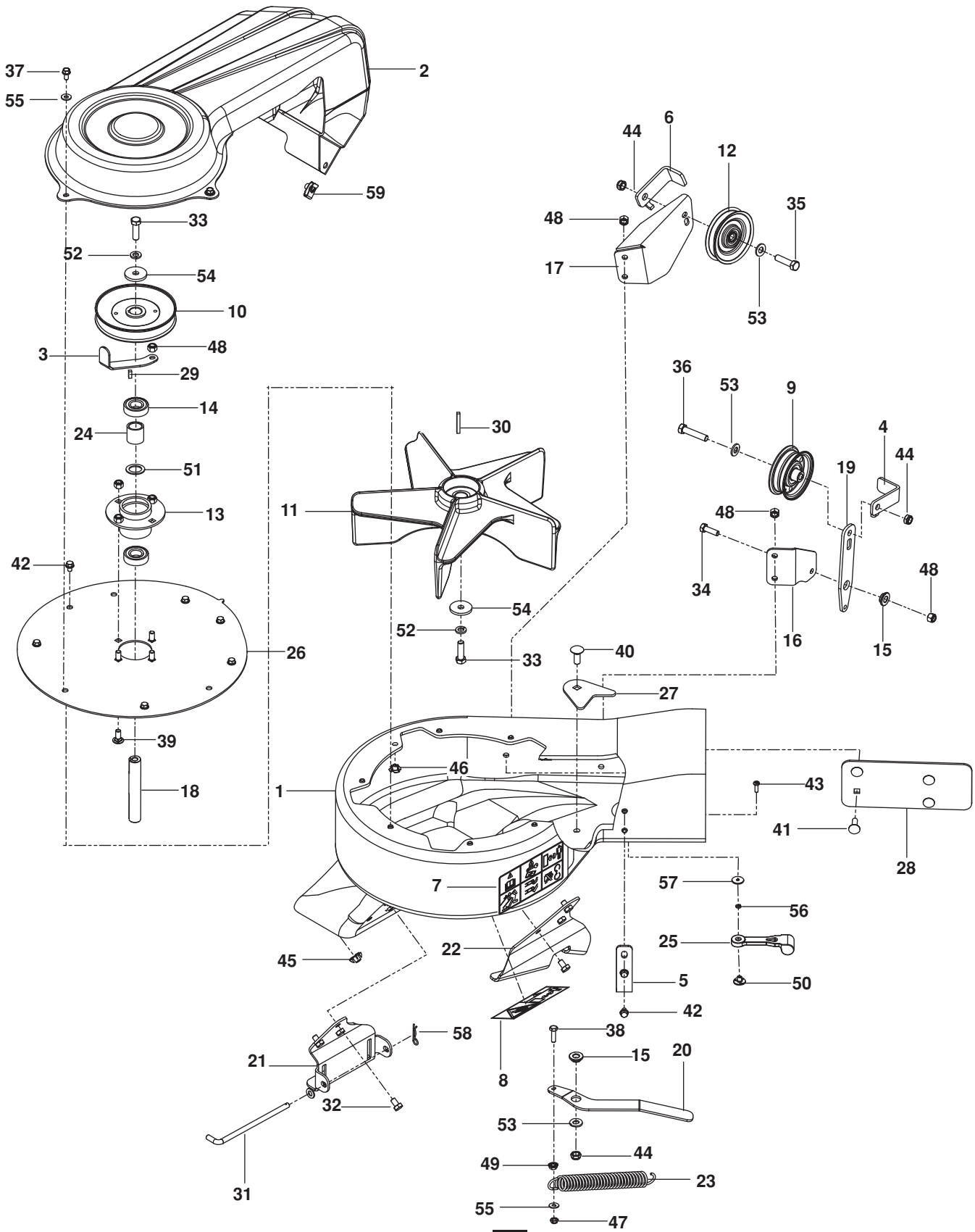


DECALS

| ITEM | PART NO. | QTY. | DESCRIPTION | ITEM | PART NO. | QTY. | DESCRIPTION |
|------|--------------|---------|------------------------------|------|--------------|---------|---------------------------|
| 1.. | 539 10 79-59 | 1 |DECAL, WARNING | 11.. | 581 72 44-01 | 1 |DECAL, DEFLECTOR |
| 2.. | 539 10 57-45 | 1 |DECAL, BATTERY WARNING | 12.. | 539 11 09-74 | 2 |DECAL, TRACKING |
| 3.. | 539 10 33-33 | 2 |DECAL, MOTION CONTROL | 13.. | 539 13 20-39 | 1 |DECAL, HEIGHT ADJUST |
| 4.. | 584 90 46-01 | 1 |DECAL, BLADE WARNING | 14.. | 539 13 21-87 | 1 |DECAL, SERVICE |
| 5.. | 539 10 57-44 | 1 |DECAL, DANGER BLT DRIVE | 15.. | 532 42 91-96 | 2 |DECAL, HUSQVARNA |
| 6.. | 581 72 43-01 | 2 |DECAL, NO STEP | 16.. | 532 42 86-76 | 2 |DECAL, CROWN H |
| 7.. | 574 84 11-03 | 1 |DECAL, CONSOLE | 17.. | 585 88 29-01 | 1 |DECAL, MZ52LE |
| 8.. | 539 10 57-46 | 1 |DECAL, SEVERING | 18.. | 539 97 77-78 | 2 |PAD, ABRASIVE LG |
| 9.. | 539 11 26-20 | 1 |DECAL, BELT ROUTING | 19.. | 539 12 13-22 | 2 |PAD, ABRASIVE SM |
| 10.. | 586 34 25-01 | 1 |DECAL, START | | | | |

ACCESSORIES

Blower

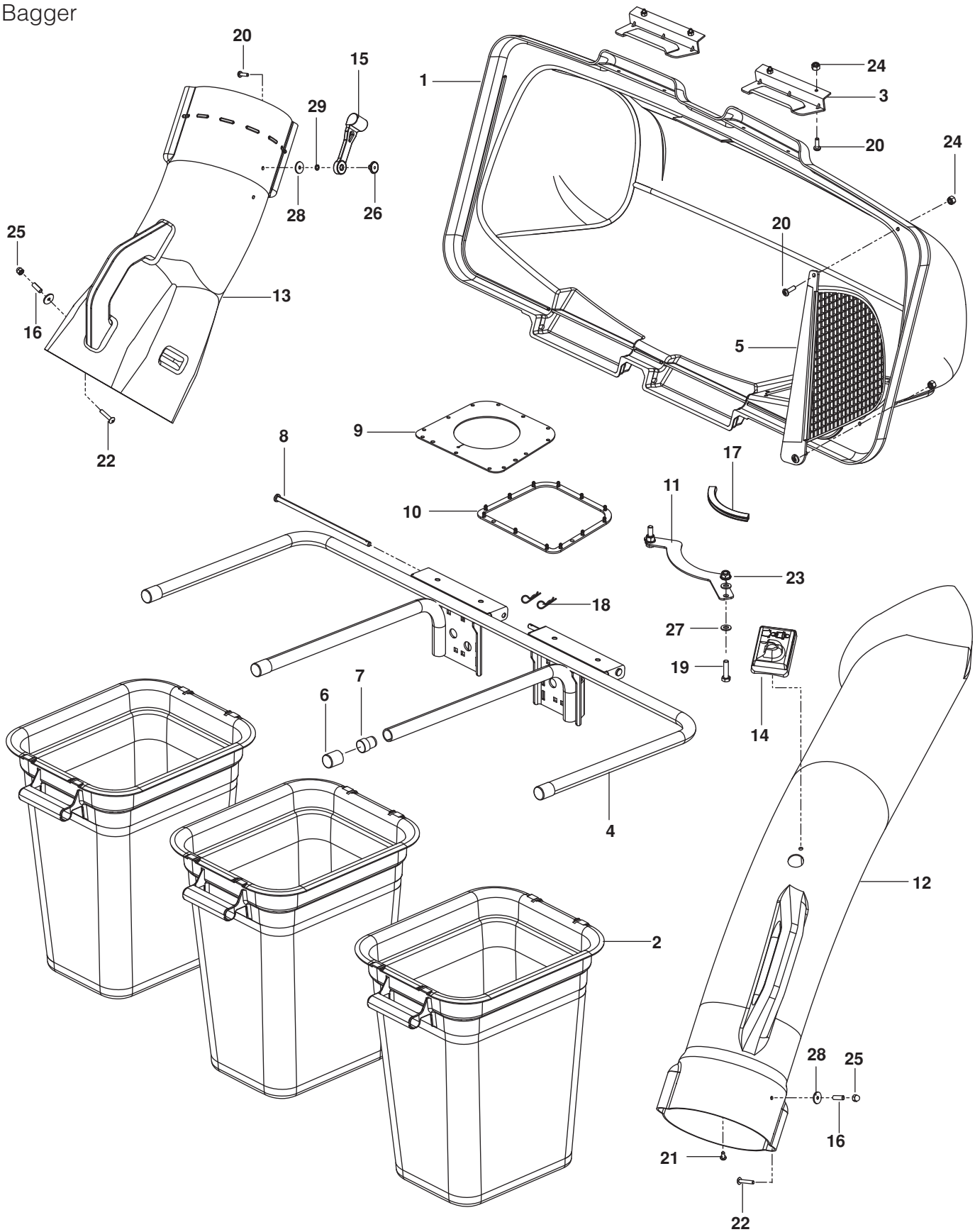


ACCESSORIES

| ITEM | PART NO. | QTY. | DESCRIPTION | ITEM | PART NO. | QTY. | DESCRIPTION |
|------|-------------------|------|-------------------------------------|------|-------------------|------|---|
| 1.. | 539 13 03-44..... | 1 | HOUSING w/DECALS | 31.. | 539 13 03-17..... | 1 | PIN |
| 2.. | 539 13 02-93..... | 1 | COVER, BELT | 32.. | 874 78 05-08..... | 6 | BOLT $\frac{5}{16}$ -18 x $\frac{1}{2}$ |
| 3.. | 539 13 10-85..... | 1 | KEEPER, BELT OUTER | 33.. | 532 85 08-57..... | 2 | BOLT $\frac{3}{8}$ -24 x $1\frac{1}{4}$ GR 8 |
| 4.. | 579 13 76-02..... | 2 | KEEPER, BELT REAR | 34.. | 874 78 05-16..... | 1 | BOLT $\frac{5}{16}$ -18 x 1 |
| 5.. | 539 13 03-46..... | 1 | KEEPER | 35.. | 874 78 06-24..... | 1 | BOLT $\frac{3}{8}$ -16 x $1\frac{1}{2}$ |
| 6.. | 579 13 77-02..... | 1 | KEEPER | 36.. | 539 97 69-49..... | 1 | BOLT $\frac{3}{8}$ -16 x $1\frac{3}{4}$ |
| 7.. | 539 10 57-85..... | 1 | DECAL, WARNING | 37.. | 817 49 04-08..... | 3 | BOLT $\frac{1}{4}$ -20 x $\frac{1}{2}$ |
| 8.. | 539 10 67-41..... | 1 | DECAL, SEVERING | 38.. | 874 78 04-14..... | 1 | BOLT $\frac{1}{4}$ -20 x $\frac{7}{8}$ |
| 9.. | 579 15 08-02..... | 1 | PULLEY, IDLER | 39.. | 872 14 05-06..... | 4 | BOLT $\frac{5}{16}$ -18 x $\frac{3}{4}$ RDHD SQNK |
| 10.. | 539 13 03-24..... | 1 | PULLEY | 40.. | 872 14 06-08..... | 1 | BOLT $\frac{3}{8}$ -16 x 1 RDHD SQNK |
| 11.. | 539 13 02-92..... | 1 | IMPELLER | 41.. | 872 14 05-08..... | 4 | BOLT $\frac{5}{16}$ -18 x 1 RDHD SQNK |
| 12.. | 539 11 36-83..... | 1 | V-IDLER | 42.. | 539 99 03-02..... | 8 | SCREW $\frac{1}{4}$ x $\frac{3}{8}$ THD FRM |
| 13.. | 539 13 02-95..... | 1 | HUB, BEARING | 43.. | 871 08 10-10..... | 1 | SCREW #10-24 x $\frac{5}{8}$ |
| 14.. | 539 13 02-96..... | 2 | BEARING | 44.. | 539 20 02-82..... | 3 | NUT $\frac{3}{8}$ -16 HEX JAM NYLOC |
| 15.. | 539 13 03-01..... | 2 | BUSHING | 45.. | 539 13 03-13..... | 6 | NUT $\frac{5}{16}$ -18 TEE |
| 16.. | 579 13 74-02..... | 1 | MOUNT, IDLER, UPPER | 46.. | 539 13 03-14..... | 11 | NUT $\frac{1}{4}$ -20 TEE |
| 17.. | 579 13 75-02..... | 1 | MOUNT, IDLER, LOWER | 47.. | 539 10 81-20..... | 1 | NUT $\frac{1}{4}$ -20 HEX NYLOC |
| 18.. | 539 13 03-16..... | 1 | SHAFT, IMPELLER | 48.. | 873 80 05-00..... | 9 | NUT $\frac{5}{16}$ -18 HEX NYLOC |
| 19.. | 579 13 73-02..... | 1 | ARM, IDLER | 49.. | 532 43 81-30..... | 1 | NUT $\frac{1}{4}$ -20 HEX FLANGE |
| 20.. | 539 13 03-38..... | 1 | ARM, TENSION | 50.. | 539 10 80-89..... | 1 | WELD NUT, PLATED |
| 21.. | 539 13 03-39..... | 1 | BRACKET, MOUNT, FRONT | 51.. | 539 91 09-35..... | 1 | WASHER |
| 22.. | 539 13 03-40..... | 1 | BRACKET, MOUNT, REAR | 52.. | 810 03 06-00..... | 2 | WASHER $\frac{3}{8}$ SPLT LOCK |
| 23.. | 539 10 19-77..... | 1 | SPRING, TRACTION | 53.. | 819 13 13-16..... | 3 | WASHER $\frac{3}{8}$ SAE FLT |
| 24.. | 539 13 03-23..... | 1 | SPACER | 54.. | 539 11 03-23..... | 2 | WASHER, HARDENED |
| 25.. | 532 10 98-08..... | 1 | LATCH, HOOD | 55.. | 819 09 10-16..... | 4 | WASHER $\frac{1}{4}$ FLAT SAE |
| 26.. | 539 13 03-41..... | 1 | PLATE, OUTER | 56.. | 539 10 95-52..... | 2 | WASHER $\frac{3}{16}$ LOCK |
| 27.. | 539 13 21-24..... | 1 | PLATE, BACKING | 57.. | 539 10 80-84..... | 2 | WASHER $\frac{3}{16}$ x $\frac{3}{4}$ x 16 GA |
| 28.. | 539 13 21-22..... | 1 | PLATE, BACKING | 58.. | 539 97 69-88..... | 1 | HAIRPIN |
| 29.. | 539 11 56-67..... | 1 | KEY $\frac{3}{16}$ x $\frac{1}{2}$ | 59.. | 539 10 47-63..... | 1 | RETAINER U TYPE |
| 30.. | 539 12 52-29..... | 1 | KEY $\frac{3}{16}$ x $1\frac{1}{2}$ | | | | |

ACCESSORIES

Bagger

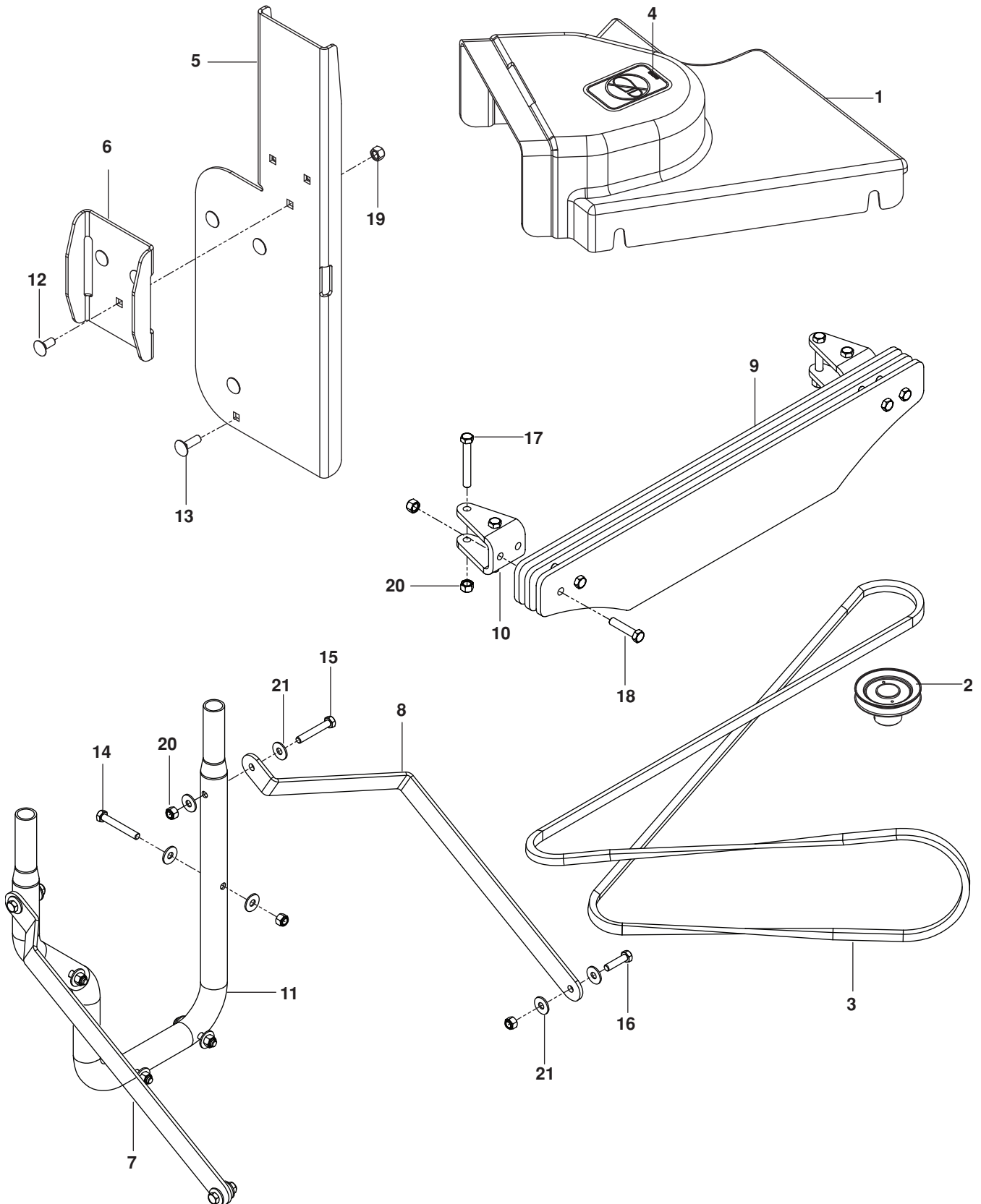


ACCESSORIES

| ITEM | PART NO. | QTY. | DESCRIPTION | ITEM | PART NO. | QTY. | DESCRIPTION |
|------|-------------------|------|----------------------|------|-------------------|------|---|
| 1.. | 532 19 53-73..... | 1 | COVER | 16.. | 539 10 80-85..... | 2 | SPACER, SPLIT |
| 2.. | 532 40 02-26..... | 3 | CONTAINER, SOFT BAG | 17.. | 539 11 22-94..... | 1 | FLEX TRIM |
| 3.. | 532 13 08-95..... | 2 | HANDLE, BAGGER COVER | 18.. | 539 10 80-96..... | 2 | HAIR PIN |
| 4.. | 539 10 80-98..... | 1 | FRAME, BAGGER | 19.. | 539 99 06-27..... | 2 | BOLT ⁵ / ₁₆ -18 x 1¼ HEX HD |
| 5.. | 532 19 27-09..... | 1 | SCREEN, COVER | 20.. | 539 97 69-52..... | 7 | SCREW #10-24 x ⁵ / ₈ |
| 6.. | 539 10 80-97..... | 4 | PLUG, TUBING END | 21.. | 539 10 80-81..... | 1 | SCREW #10-14 x ½ |
| 7.. | 522 80 13-01..... | 2 | PLUG, SPACER | 22.. | 539 10 80-83..... | 2 | SCREW #10-24 x 1½ |
| 8.. | 532 19 27-86..... | 2 | PIN, HINGE | 23.. | 539 11 28-99..... | 2 | NUT ⁵ / ₁₆ -18 HEX FLG NYLOC |
| 9.. | 532 19 25-50..... | 1 | SEAL, COVER | 24.. | 539 97 69-77..... | 6 | NUT #10-24 CROWNLOCK |
| 10.. | 532 19 26-03..... | 1 | GASKET, COVER | 25.. | 539 10 80-86..... | 2 | NUT #10-24 ACORN |
| 11.. | 539 11 02-81..... | 1 | SUPPORT, CHUTE | 26.. | 539 10 80-89..... | 1 | WELD NUT, PLATED |
| 12.. | 539 10 81-41..... | 1 | CHUTE, UPPER | 27.. | 819 11 11-16..... | 4 | WASHER ⁵ / ₁₆ SAE |
| 13.. | 539 13 02-94..... | 1 | CHUTE, MIDDLE | 28.. | 539 10 80-84..... | 3 | WASHER ³ / ₁₆ x ³ / ₄ x 16 GA |
| 14.. | 539 10 80-82..... | 1 | INDICATOR, BAG DUMP | 29.. | 539 10 95-52..... | 2 | WASHER ³ / ₁₆ LOCK |
| 15.. | 539 10 80-88..... | 1 | LATCH, HOOD | | | | |

ACCESSORIES

Guard, Mount and Belt

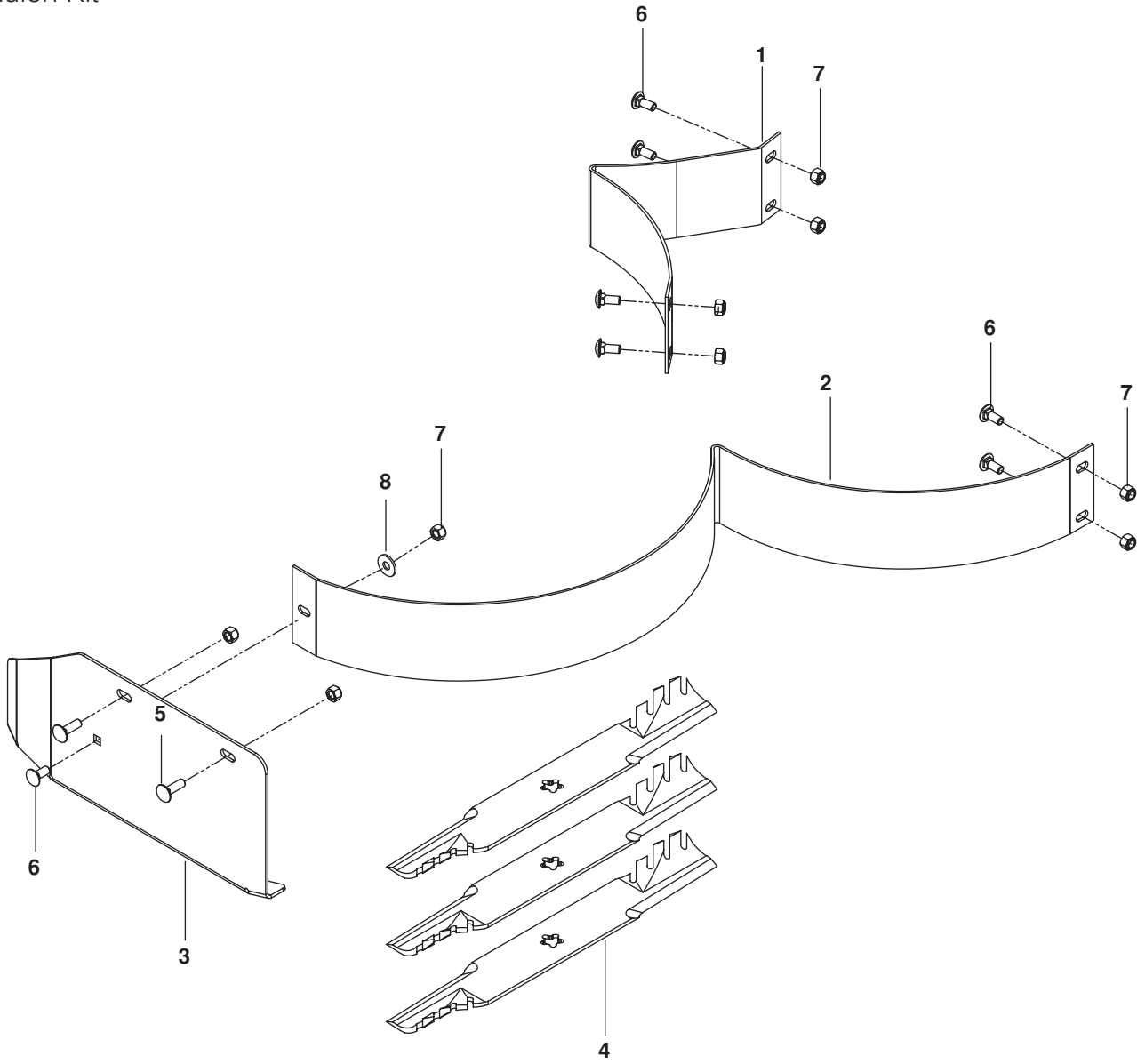


ACCESSORIES

| ITEM | PART NO. | QTY. | DESCRIPTION | ITEM | PART NO. | QTY. | DESCRIPTION |
|------|-------------------|--------|-------------------|------|-------------------|---------|---|
| 1.. | 539 13 03-07..... | 1..... | SHIELD, BELT, 52" | 12.. | 539 99 03-16..... | 3..... | BOLT $\frac{5}{16}$ -18 x $\frac{3}{4}$ RDHD SQNK |
| 2.. | 539 13 03-20..... | 1..... | PULLEY, 52" | 13.. | 539 99 02-08..... | 4..... | BOLT $\frac{5}{16}$ -18 x 1 RDHD SQNK |
| 3.. | 539 13 03-47..... | 1..... | BELT, 52" | 14.. | 539 10 26-12..... | 4..... | BOLT $\frac{3}{8}$ -16 x 2 $\frac{3}{4}$ HEX HD |
| 4.. | 539 10 57-43..... | 1..... | DECAL, NO STEP | 15.. | 539 97 69-49..... | 4..... | BOLT $\frac{3}{8}$ -16 x 1 $\frac{3}{4}$ HEX HD |
| 5.. | 539 13 03-42..... | 1..... | PLATE, MOUNT | 16.. | 539 97 69-37..... | 2..... | BOLT $\frac{5}{16}$ -18 X 2 HEX HD |
| 6.. | 539 13 03-43..... | 1..... | PLATE, BACKING | 17.. | 539 97 69-38..... | 4..... | BOLT $\frac{5}{16}$ -18 X 2 $\frac{1}{4}$ HEX HD |
| 7.. | 539 13 10-89..... | 1..... | STRAP, RT | 18.. | 539 99 06-27..... | 2..... | BOLT $\frac{5}{16}$ -18 X 1 $\frac{1}{4}$ HEX HD |
| 8.. | 539 13 10-90..... | 1..... | STRAP, LT | 19.. | 539 99 07-17..... | 11..... | NUT $\frac{5}{16}$ -18 HEX NYLOC |
| 9.. | 539 11 32-32..... | 3..... | WEIGHT PLATE | 20.. | 539 97 69-79..... | 8..... | NUT $\frac{3}{8}$ -16 HEX NYLOC |
| 10.. | 539 11 32-03..... | 2..... | WEIGHT BRACKET | 21.. | 539 99 06-92..... | 16..... | WASHER $\frac{5}{16}$ STD FLT |
| 11.. | 539 13 10-91..... | 1..... | TUBE, MOUNT | | | | |

ACCESSORIES

Mulch Kit



ACCESSORIES

ITEM PART NO. QTY. DESCRIPTION

- 1.. 539 11 24-21..... 1BAFFLE, LEFT
- 2.. 539 11 24-35..... 1BAFFLE, RIGHT
- 3.. 539 11 23-44..... 1MULCH CAP
- 4.. 521 98 15-01..... 3BLADE, 18" GATOR

ITEM PART NO. QTY. DESCRIPTION

- 5.. 539 99 02-08..... 2BOLT $\frac{5}{16}$ -18 x 1 RDHD SQNK
- 6.. 539 99 03-16..... 7BOLT $\frac{5}{16}$ -18 x $\frac{3}{4}$ RDHD SQNK
- 7.. 539 99 07-17..... 9HEX NUT $\frac{5}{16}$ -18 NYLOC
- 8.. 539 99 06-92..... 1WASHER $\frac{5}{16}$ STD FLT

www.husqvarna.com

115 72 52-27 Rev A
2014-09-15