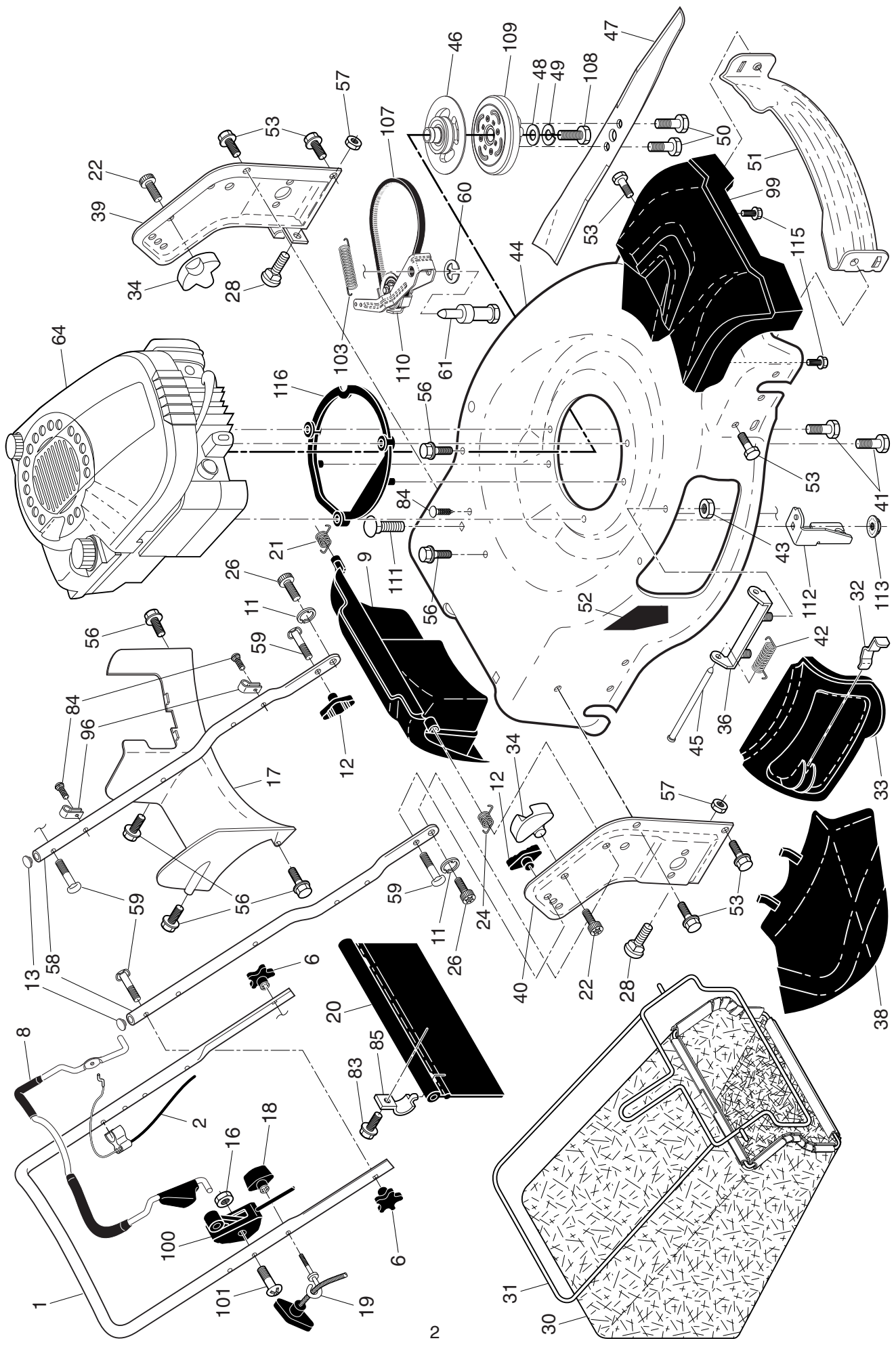


ILLUSTRATED PARTS LIST

MODEL NUMBER HU725AWD/BBC

MFG. ID. NUMBER 96145001802

HUSQVARNA LAWN MOWER - MODEL NUMBER HU725AWD/BBC (MFG. ID. NUMBER 96145001802)

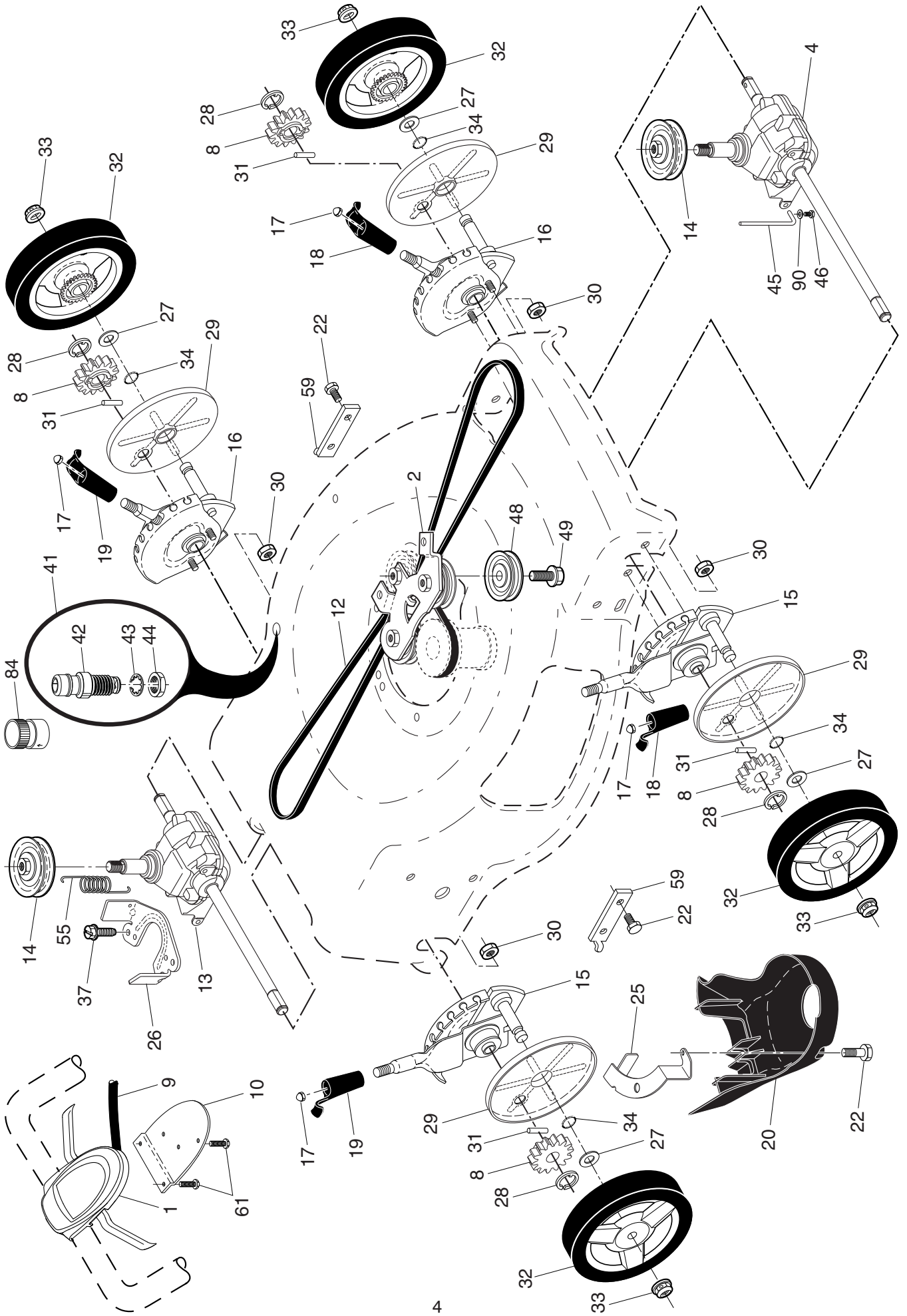


HUSQVARNA LAWN MOWER - MODEL NUMBER HU725AWD/BBC (MFG. ID. NUMBER 96145001802)

KEY NO.	PART NO.	DESCRIPTION	KEY NO.	PART NO.	DESCRIPTION
1	585 85 48-06	Upper Handle Assembly	49	532 85 02-63	Washer, Helical
2	579 48 42-02	Cable, Engine Zone Control	50	532 18 04-60	Bolt, Hex Head, Grade 8 3/8-24 x 1-3/8
6	532 18 23-98	Handle Knob, Star	51	532 43 05-99	Front Baffle
8	585 64 53-11	Control Bar, Overmolded	52	532 40 47-63	Decal, Warning, Cut Finger
9	532 43 13-90	Rear Door Assembly	53	817 00 05-10	Screw
11	579 48 28-01	E-Ring, Door/Handle Pivot	56	817 41 13-12	Screw, Hex Washer Head #13 x 3/4
12	532 19 19-38	Handle Knob, Standard	57	532 15 53-77	Nut, Hex
13	532 43 75-16	Plug, Lower Handle Bar	58	585 90 82-03	Lower Handle
16	532 13 20-04	Nut, Hex	59	532 19 15-74	Handle Bolt
17	581 78 21-01	Rear Baffle	60	579 48 28-01	E-Ring
18	581 91 26-01	T-Knob	61	581 42 45-02	Bolt, Pivot, Tension Arm
19	581 90 21-01	Rope Guide	64	---	Engine, Briggs & Stratton, Model Number 128M02-0134-F4 (For engine service and replacement parts, call Briggs & Stratton at 1-800-233-3723)
20	532 44 45-01	Rear Skirt	83	532 75 00-97	Screw, Hex Washer Head
21	532 41 99-49	Spring, Rear Door, LH, Black	84	532 42 81-24	Fastener, Push
22	532 14 18-41	Screw, Panhead, Torx #20	85	532 43 45-30	Mounting Bracket, Rear Skirt
24	532 41 99-48	Spring, Rear Door, RH, Grey	96	532 19 79-91	Clip, Cable
26	532 41 99-45	Screw, Rear Door/Handle Pivot	99	585 66 87-01	Front Shroud Assembly
28	586 21 25-01	Bolt, Carriage 5/16-18 x 5/8	100	580 32 48-01	Control, Throttle
30	580 94 34-02	Grassbag	101	532 18 33-65	Screw
31	585 05 47-02	Frame, Grass Catcher	103	581 53 07-01	Spring, Brake Reset
32	532 44 11-92	Latch, Mulcher Door	107	579 27 32-01	Belt, Blade Brake/Clutch
33	532 41 99-27	Mulcher Door	108	532 85 10-84	Bolt, Blade Brake/Clutch
34	532 43 81-34	Bracket, Grassbag	109	581 30 81-01	Free Hub/Blade Adapter
36	532 17 57-35	Bracket, Hinge	110	581 35 45-01	Tension Arm Assembly, Blade Brake/Clutch
38	532 42 61-29	Discharge Deflector	111	872 14 04-05	Bolt, Carriage 1/4-20
39	585 90 07-03	Handle Bracket, LH	112	579 47 18-02	Bracket, Mounting, Blade Brake/Clutch Cable
40	585 90 08-03	Handle Bracket, RH	113	532 43 81-30	Nut, Hex 1/4-20
41	532 85 09-99	Screw, Dogpoint 3/8-16 x 1-1/8	115	581 33 00-01	Screw
42	532 19 30-00	Spring, Hinge	116	581 74 56-01	Spacer, Engine
43	532 43 81-30	Nut, Hex	--	532 42 38-49	Bag of Parts (Includes Key Numbers 12 and 59)
44	585 94 72-02	Kit, Lawn Mower Housing	--	115 63 64-49	Operator's Manual, English / Spanish
45	532 17 56-50	Rod, Hinge			
46	581 27 74-01	Blade Brake/Clutch Assembly			
47	581 04 52-01	Blade, 22"			
48	579 27 38-01	Washer, Hardened			

NOTE: All component dimensions given in U.S. inches. 1 inch = 25.4 mm. **IMPORTANT:** Use only Original Equipment Manufacturer (O.E.M.) replacement parts. Failure to do so could be hazardous, damage your lawn mower and void your warranty.

HUSQVARNA LAWN MOWER - MODEL NUMBER HU725AWD/BBC (MFG. ID. NUMBER 96145001802)



HUSQVARNA LAWN MOWER - MODEL NUMBER HU725AWD/BBC (MFG. ID. NUMBER 96145001802)

KEY NO.	PART NO.	DESCRIPTION	KEY NO.	PART NO.	DESCRIPTION
1	581 95 05-05	Drive Control Assembly (Includes Cable)	28	812 00 00-58	E-Ring 7/16
2	586 07 28-02	Mounting Bracket, Idler Pulleys	29	581 84 04-01	Cover, Dust, Wheel
4	585 30 57-01	Gearcase Assembly, Front, Complete	30	532 43 81-30	Nut, Hex
8	532 40 48-35	Pinion	31	532 40 48-45	Pawl, Drive
9	581 95 21-01	Cable, Drive	32	580 36 53-01	Wheel & Tire Assembly
10	532 43 27-90	Mounting Bracket, Drive Control	33	532 40 91-48	Nut, Flangelock 3/8-16
12	580 36 46-03	Belt, Drive	34	532 19 74-80	O-Ring
13	581 68 08-01	Gearcase Assembly, Rear, Complete	37	532 16 34-09	Screw, Hi-Lo Thread, #12 x 5/8
14	586 03 84-01	Pulley, Drive	41	532 43 84-89	Kit, Water Washout Assembly
15	581 75 88-01	Wheel Adjuster Assembly, RH	42	532 43 49-94	Fitting, Water Washout
16	581 75 88-02	Wheel Adjuster Assembly, LH	43	532 41 55-85	Washer, Lock, Internal Tooth
17	532 41 38-08	Pushnut	44	532 41 55-86	Locknut, Hex, with O-Ring
18	532 42 61-88	Knob, Front Wheel Adjuster	45	581 24 13-01	Belt Keeper, Gearcase, Front
19	532 42 61-89	Knob, Rear Wheel Adjuster	46	584 29 94-01	Screw
20	580 80 69-01	Debris Shield	48	581 90 40-01	Pulley Assembly, Idler
22	817 00 05-10	Screw, Hex Head 1/4-20	49	581 33 45-01	Screw, Mounting, Idler Pulley
25	532 42 60-65	Mounting Bracket, Debris Shield	55	581 35 13-01	Spring, Tension
26	581 15 25-02	Belt Keeper, Gearcase, Rear	59	532 44 21-13	Support Bracket
27	532 06 77-25	Washer, Flat	61	532 18 16-98	Screw
			84	532 41 64-05	Adapter, Quick-Connect Coupling
			90	539 99 06-92	Washer

NOTE: All component dimensions given in U.S. inches. 1 inch = 25.4 mm. **IMPORTANT:** Use only Original Equipment Manufacturer (O.E.M.) replacement parts. Failure to do so could be hazardous, damage your lawn mower and void your warranty.