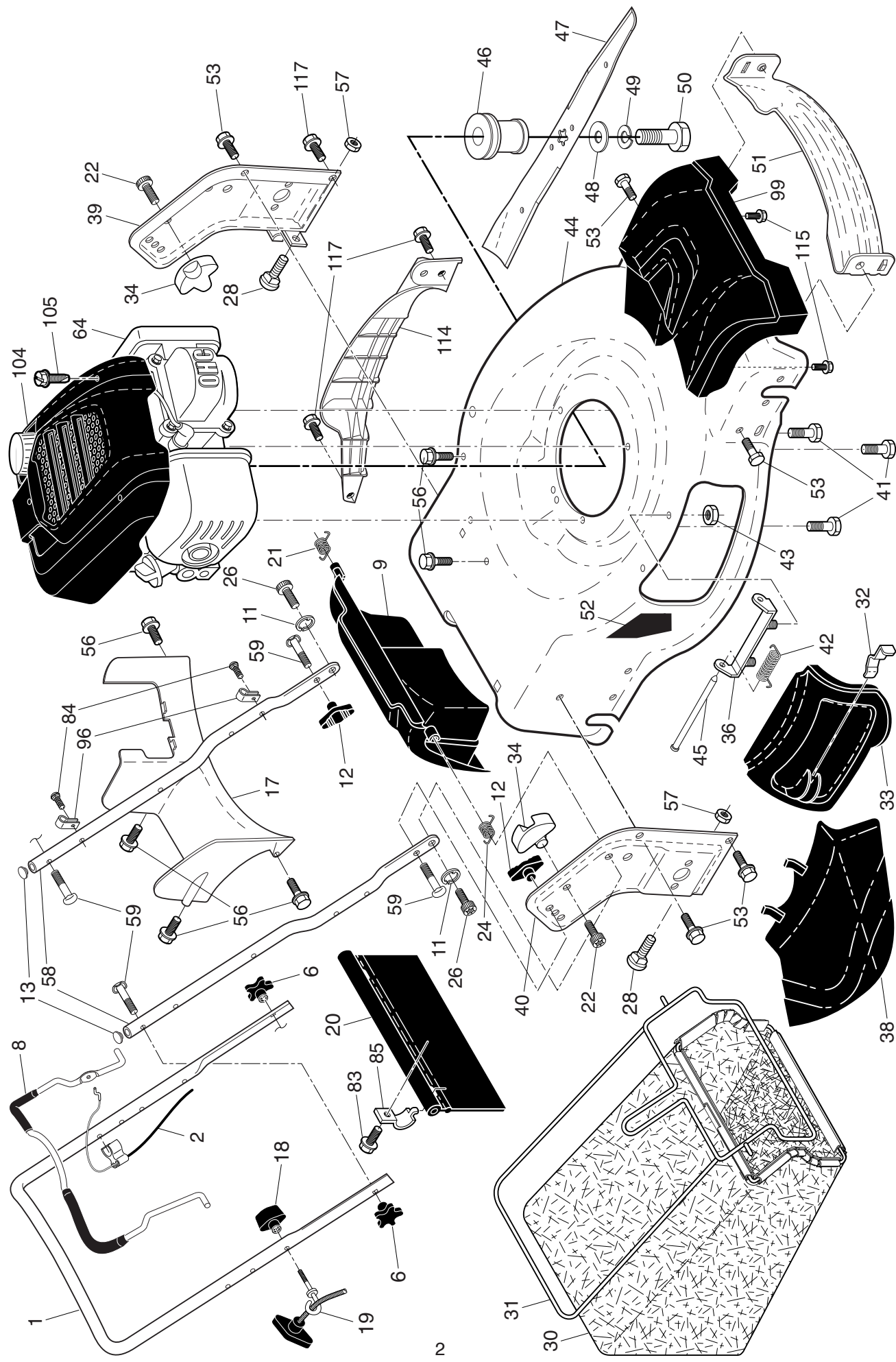


ILLUSTRATED PARTS LIST

MODEL NUMBER HU800AWDH
MFG. ID. NUMBER 96145002102

HUSQVARNA ROTARY LAWN MOWER - MODEL NUMBER HU800AWDH (MFG. ID. NUMBER 96145002102)

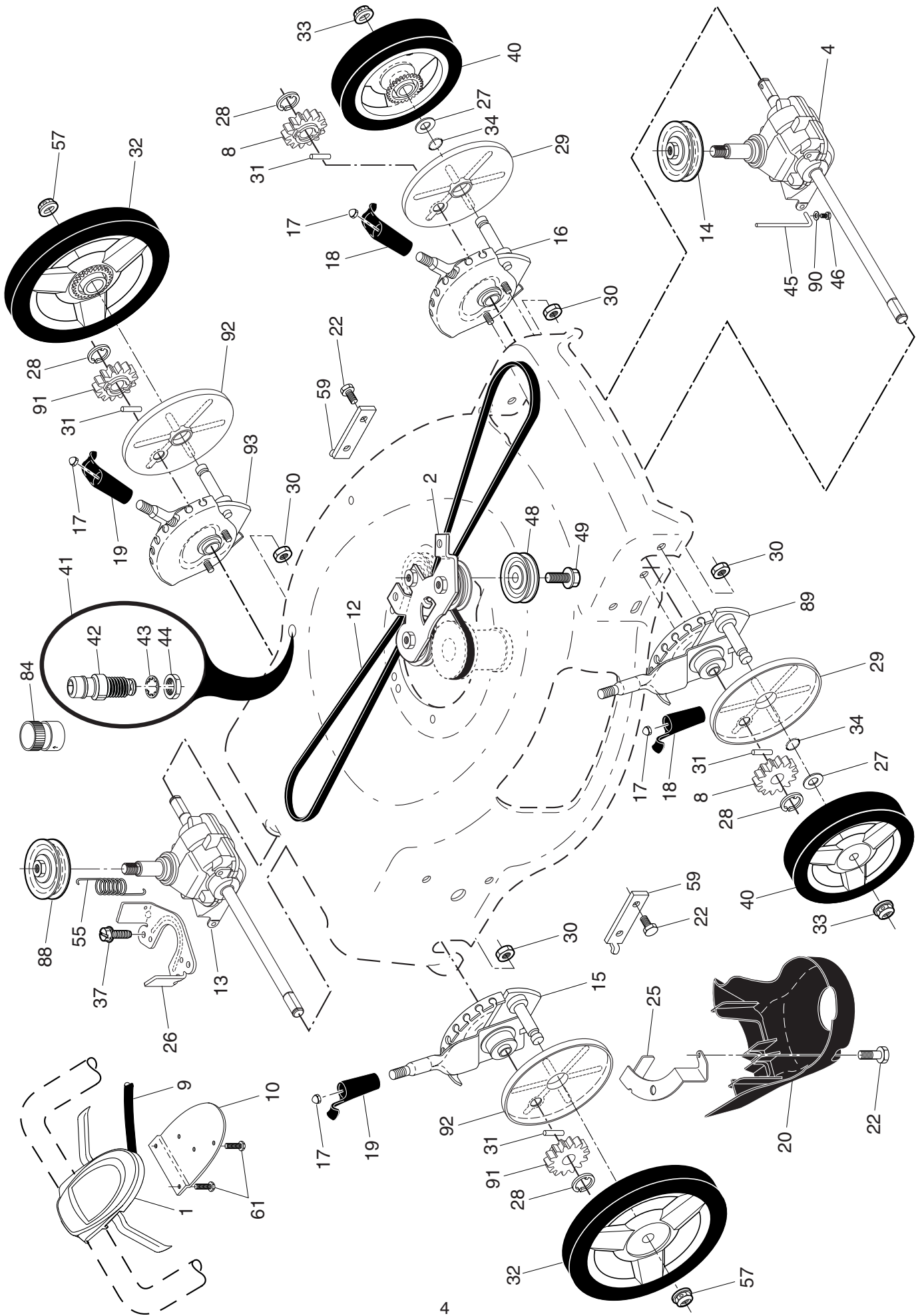


HUSQVARNA ROTARY LAWN MOWER - MODEL NUMBER HU800AWDH (MFG. ID. NUMBER 96145002102)

| KEY NO. | PART NO. | DESCRIPTION | KEY NO. | PART NO. | DESCRIPTION |
|---------|---------------------|--------------------------------|---------|--------------|---|
| 1 | 585 85 48-06 | Upper Handle Assembly | 45 | 532 17 56-50 | Rod, Hinge |
| 2 | 532 42 49-83 | Cable, Engine Zone Control | 46 | 581 85 15-01 | Blade Adapter / Pulley |
| 6 | 532 18 23-98 | Handle Knob, Star | 47 | 587 19 96-01 | Blade, 22" |
| 8 | 587 68 93-02 | Control Bar, Overmolded | 48 | 532 85 10-74 | Washer, Hardened |
| 9 | 532 43 13-90 | Rear Door Assembly | 49 | 532 85 02-63 | Washer, Helical |
| 11 | 579 48 28-01 | E-Ring, Door/Handle Pivot | 50 | 532 85 10-84 | Screw, Machine, Hex Head 3/8-24 x 1-3/8 Grade 8 |
| 12 | 532 19 19-38 | Handle Knob, Standard | | | Front Baffle |
| 13 | 532 43 75-16 | Plug, Lower Handle Bar | 51 | 532 43 05-99 | Screw |
| 17 | 581 78 21-01 | Rear Baffle | 53 | 817 00 05-10 | Screw, Hex Washer Head #13 x 3/4 |
| 18 | 581 91 26-01 | T-Knob | 56 | 817 41 13-12 | Nut, Hex |
| 19 | 581 90 21-01 | Rope Guide | 57 | 532 15 53-77 | Lower Handle |
| 20 | 532 44 45-37 | Rear Skirt | 58 | 585 90 82-03 | Handle Bolt |
| 21 | 532 41 99-49 | Spring, Rear Door, LH, Black | 59 | 532 19 15-74 | Decal, Warning, Cut Finger |
| 22 | 532 14 18-41 | Screw, Panhead, Torx #20 | 52 | 532 40 47-63 | Engine, Honda, Model Number GCV190-LAS3L (For engine service and replacement parts, call Honda Engines at 1-800-426-7701) |
| 24 | 532 41 99-48 | Spring, Rear Door, RH, Grey | 64 | - - - | Screw, Hex Washer Head |
| 26 | 532 41 99-45 | Screw, Rear Door/Handle Pivot | | | Fastener, Push |
| 28 | 586 21 25-01 | Bolt, Carriage 5/16-18 x 5/8 | 83 | 532 75 00-97 | Mounting Bracket, Rear Skirt |
| 30 | 580 94 34-02 | Grassbag | 84 | 532 42 81-24 | Clip, Cable |
| 31 | 585 05 47-02 | Frame, Grass Catcher | 85 | 532 43 45-30 | Front Shroud Assembly |
| 32 | 532 44 11-92 | Latch, Mulcher Door | 99 | 585 66 87-01 | Shroud, Engine |
| 33 | 532 41 99-27 | Mulcher Door | 104 | 580 29 00-01 | Mounting Screw, Engine Shroud |
| 34 | 532 43 81-34 | Bracket, Grassbag | 105 | 580 76 87-01 | Bumper, Side |
| 36 | 532 17 57-35 | Bracket, Hinge | 114 | 587 56 81-02 | Screw |
| 38 | 532 42 61-29 | Discharge Deflector | 115 | 581 33 00-01 | Bolt |
| 39 | 585 90 07-03 | Handle Bracket, LH | 117 | 532 42 88-67 | Bag of Parts (Includes Key Numbers 12 and 59) |
| 40 | 585 90 08-03 | Handle Bracket, RH | - - | 532 42 38-49 | Operator's Manual, English / French |
| 41 | 532 15 04-06 | Screw, Dogpoint 3/8-16 x 1-1/8 | - - | 115 72 19-32 | Operator's Manual, Spanish |
| 42 | 532 19 30-00 | Spring, Hinge | | | |
| 43 | 532 19 17-30 | Nut, Hex | | | |
| 44 | 581 70 83-54 | Kit, Lawn Mower Housing | | | |

NOTE: All component dimensions given in U.S. inches. 1 inch = 25.4 mm. **IMPORTANT:** Use only Original Equipment Manufacturer (O.E.M.) replacement parts. Failure to do so could be hazardous, damage your lawn mower and void your warranty.

HUSQVARNA ROTARY LAWN MOWER - MODEL NUMBER HU800AWDH (MFG. ID. NUMBER 96145002102)



HUSQVARNA ROTARY LAWN MOWER - MODEL NUMBER HU800AWDH (MFG. ID. NUMBER 96145002102)

| KEY NO. | PART NO. | DESCRIPTION | KEY NO. | PART NO. | DESCRIPTION |
|---------|--------------|---|---------|---------------------|-----------------------------------|
| 1 | 581 95 05-05 | Drive Control Assembly (Includes Cable) | 32 | 585 26 56-02 | Wheel & Tire Assembly, Rear, 11" |
| 2 | 586 07 28-02 | Mounting Bracket, Idler Pulleys | 33 | 532 40 91-48 | Nut, Flangelock 3/8-16 |
| 4 | 585 30 57-01 | Gearcase Assembly, Front, Complete | 34 | 532 19 74-80 | O-Ring |
| 8 | 532 40 48-35 | Pinion, Front | 37 | 532 16 34-09 | Screw, Hi-Lo Thread, #12 x 5/8 |
| 9 | 581 95 21-01 | Cable, Drive | 40 | 580 36 53-01 | Wheel & Tire Assembly, Front, 8" |
| 10 | 532 43 27-90 | Mounting Bracket, Drive Control | 41 | 532 43 84-89 | Kit, Water Washout Assembly |
| 12 | 580 36 46-03 | Belt, Drive | 42 | 532 43 49-94 | Fitting, Water Washout |
| 13 | 581 97 55-01 | Gearcase Assembly, Rear, Complete | 43 | 532 41 55-85 | Washer, Lock, Internal Tooth |
| 14 | 586 03 84-01 | Pulley, Drive, Front | 44 | 532 41 55-86 | Locknut, Hex, with O-Ring |
| 15 | 587 23 32-02 | Wheel Adjuster Assembly, RH Rear | 45 | 581 24 13-01 | Belt Keeper, Gearcase, Front |
| 16 | 587 42 97-01 | Wheel Adjuster Assembly, LH Front | 46 | 584 29 94-01 | Screw |
| 17 | 532 41 38-08 | Pushnut | 48 | 581 90 40-01 | Pulley Assembly, Idler |
| 18 | 532 42 61-88 | Knob, Front Wheel Adjuster | 49 | 581 33 45-01 | Screw, Mounting, Idler Pulley |
| 19 | 532 42 61-89 | Knob, Rear Wheel Adjuster | 55 | 581 35 13-01 | Spring, Tension |
| 20 | 580 80 69-01 | Debris Shield | 57 | 532 40 91-49 | Nut, Hex |
| 22 | 817 00 05-10 | Screw, Hex Head 5/16 | 59 | 532 44 21-13 | Support Bracket |
| 25 | 532 42 60-65 | Mounting Bracket, Debris Shield | 61 | 532 18 16-98 | Screw |
| 26 | 581 15 25-02 | Belt Keeper, Gearcase, Rear | 84 | 532 41 64-05 | Adapter, Quick-Connect Coupling |
| 27 | 532 06 77-25 | Washer, Flat | 88 | 586 96 30-01 | Pulley, Drive, Rear |
| 28 | 812 00 00-58 | E-Ring 7/16 | 89 | 587 42 97-02 | Wheel Adjuster Assembly, RH Front |
| 29 | 581 84 04-01 | Dust Cover, Wheel, Front | 90 | 539 99 06-92 | Washer |
| 30 | 532 43 81-30 | Nut, Hex | 91 | 587 23 24-01 | Pinion, Rear |
| 31 | 532 40 48-45 | Pawl, Drive | 92 | 587 25 17-01 | Dust Cover, Wheel, Rear |
| | | | 93 | 587 23 32-01 | Wheel Adjuster Assembly, LH Rear |

NOTE: All component dimensions given in U.S. inches. 1 inch = 25.4 mm. **IMPORTANT:** Use only Original Equipment Manufacturer (O.E.M.) replacement parts. Failure to do so could be hazardous, damage your lawn mower and void your warranty.