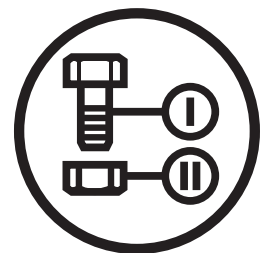




Parts Manual

M-ZT 61

Zero Turn Mower / 967177007-01



Please read the operator manual carefully and make sure you understand the instructions before using the machine.

When you need spare parts or support in service questions, warranty issues, etc., please consult the following professional:

| | | |
|---|--------|--------------|
| | | |
| This manual belongs to the machine with the manufacturing number: | Engine | Transmission |

Manufacturing Number

The machine's manufacturing number can be found on the printed plate affixed to the engine compartment.

Stated on the plate, from the top are:

- The machine's type designation (I.D.).
- The manufacturer's type number (Model).
- The machine's serial number (Serial no.)

Please have the type designation and serial number available when ordering spare parts.

The engine's manufacturing number is stamped on one of the valve covers.

The plate states:

- The engine's model.
- The engine's type.
- Code

Please have these available when ordering spare parts.

The wheel motors and hydrostatic pumps have a barcode decal affixed at the rear.

Accessories Available

| | |
|------------------------|--------------|
| Collection System..... | 966 79 30-03 |
| Mulch Kit..... | 965 89 40 02 |

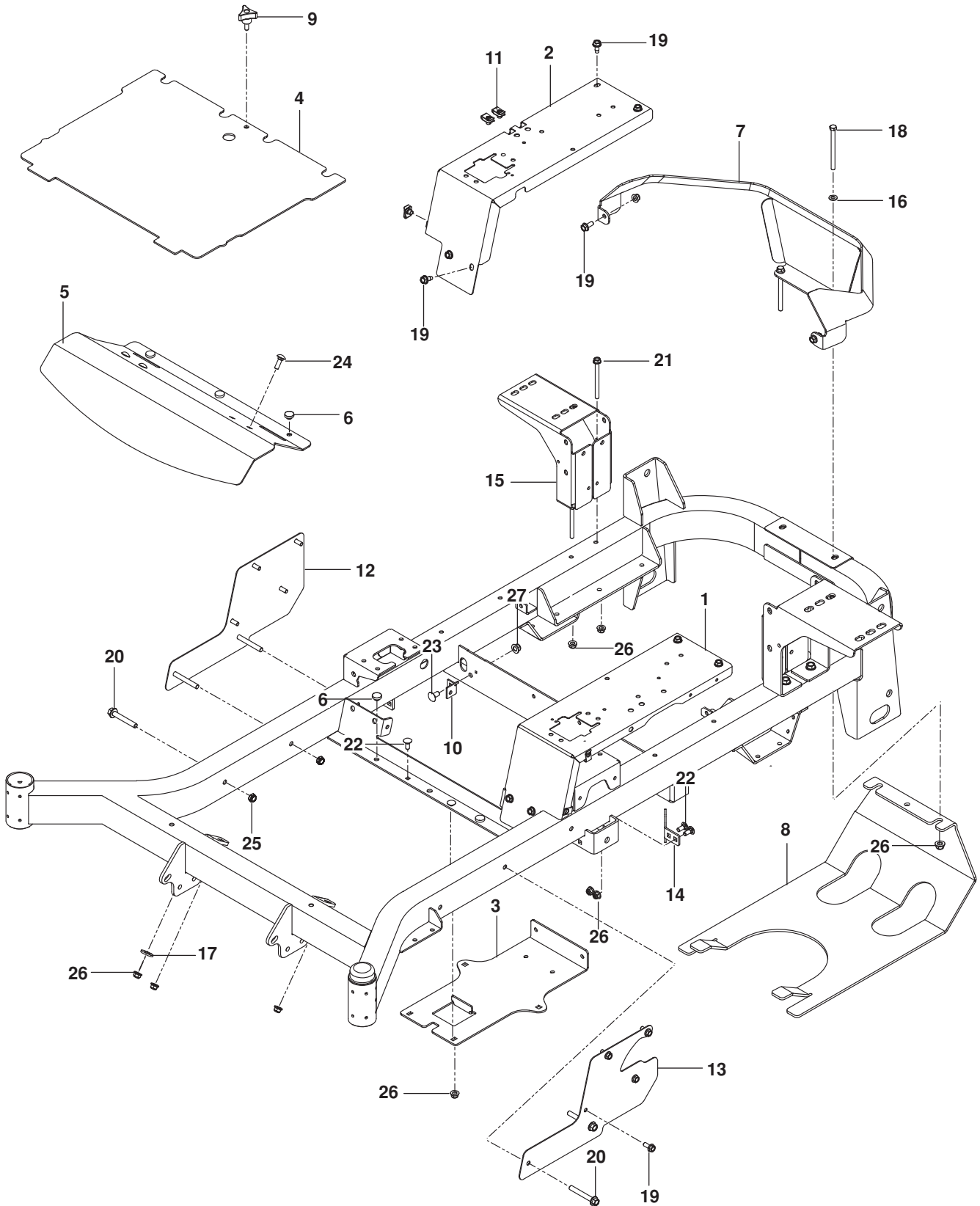
CONTENTS

| | |
|--------------------------------|----|
| FRAME..... | 4 |
| ENGINE PLATE..... | 6 |
| STEERING | 8 |
| IGNITION..... | 10 |
| PARKING BRAKE | 12 |
| HYDRAULIC PUMP-MOTOR | 14 |
| WHEELS | 16 |
| MOWER LIFT / DECK LIFT | 18 |
| MOWER DECK / CUTTING DECK..... | 20 |
| SEAT | 22 |
| DECALS..... | 24 |
| PROTECTION FRAME | 26 |
| ACCESSORIES | |
| BLOWER ASSEMBLY..... | 28 |
| CHUTES | 30 |
| BAGGER..... | 32 |
| MOUNT, GUARD, BELT | 34 |
| MULCH KIT | 36 |

Illustrations may or may not represent the actual assemblies and it is not recommended to use this manual as a guide to assemble or disassemble the mower.

NOTE: All fasteners are Grade 5 unless otherwise specified.

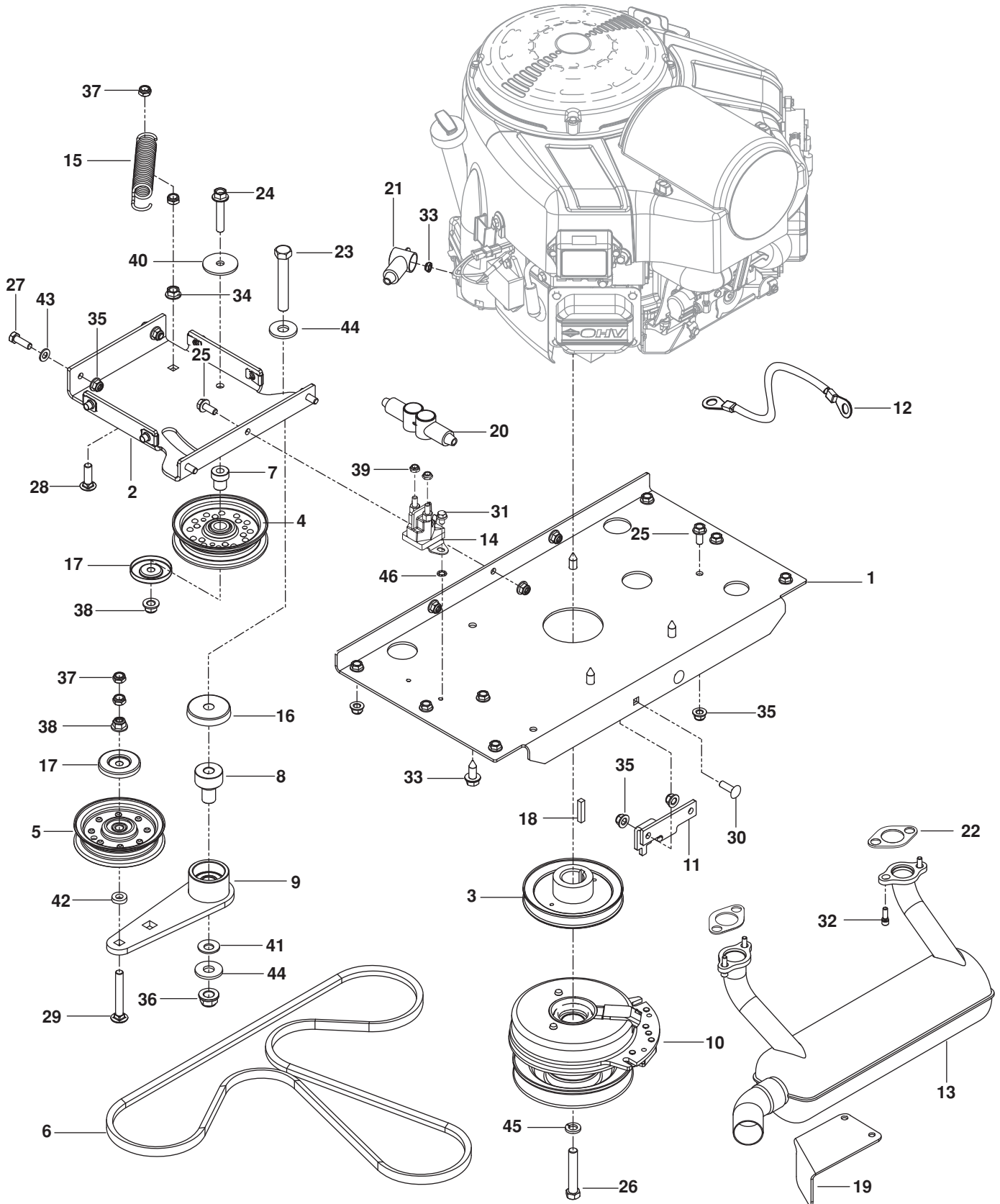
FRAME



FRAME

| ITEM | PART NO. | QTY. | DESCRIPTION | ITEM | PART NO. | QTY. | DESCRIPTION |
|------|-------------------|------|--------------------------|------|-------------------|------|--|
| 1.. | 577 25 68-02..... | 1 | PANEL, FILLER LT ORG | 15.. | 575 53 36-02..... | 2 | MOUNT, TANK BLK |
| 2.. | 577 25 69-02..... | 1 | PANEL, FILLER RT ORG | 16.. | 819 11 11-16..... | 2 | WASHER ⁵ / ₁₆ SAE FLT |
| 3.. | 575 01 72-02..... | 1 | PLATE, BATTERY ORG | 17.. | 539 10 95-54..... | 1 | WASHER 1/2 FLT |
| 4.. | 539 13 27-44..... | 1 | PLATE w/ SAFTY DECAL ORG | 18.. | 539 10 23-35..... | 2 | BOLT ⁵ / ₁₆ -18 x 4 HEX HD |
| 5.. | 539 13 23-80..... | 1 | PLATE, FOOTREST ORG | 19.. | 525 46 47-01..... | 16 | BOLT ⁵ / ₁₆ -18 x 3/4 HEX FLG HD |
| 6.. | 539 10 25-87..... | 7 | GROMMET, BUMPER | 20.. | 539 13 17-81..... | 5 | BOLT ³ / ₈ -16 x 2 3/4 HEX FLG HD |
| 7.. | 575 34 84-02..... | 1 | GUARD, REAR | 21.. | 874 49 05-60..... | 4 | BOLT ⁵ / ₁₆ -18 x 3 3/4 HEX FLG HD |
| 8.. | 521 92 18-05..... | 1 | GUARD, SKID | 22.. | 539 99 03-16..... | 6 | BOLT ⁵ / ₁₆ -18 x 3/4 RD HD SQNK |
| 9.. | 539 10 44-11..... | 1 | KNOB w/ STUD | 23.. | 872 05 06-06..... | 2 | BOLT ³ / ₈ -16 x 3/4 RD HD SQNK |
| 10.. | 575 24 52-02..... | 2 | BRACKET, DAMPENER BLK | 24.. | 539 99 02-08..... | 3 | BOLT ⁵ / ₁₆ -18 x 1 RD HD SQNK |
| 11.. | 539 10 47-63..... | 8 | RETAINER-U TYPE | 25.. | 539 20 02-82..... | 5 | NUT ³ / ₈ -16 HEX JAM NYLOC |
| 12.. | 577 25 98-01..... | 1 | SIDE, LT BLK | 26.. | 539 11 28-99..... | 17 | NUT ⁵ / ₁₆ -18 HEX FLG NYLOC |
| 13.. | 577 25 97-01..... | 1 | SIDE, RT BLK | 27.. | 521 99 65-01..... | 2 | NUT ³ / ₈ -16 HEX FLG NYLOC |
| 14.. | 505 25 64-01..... | 2 | STOP, DECK | | | | |

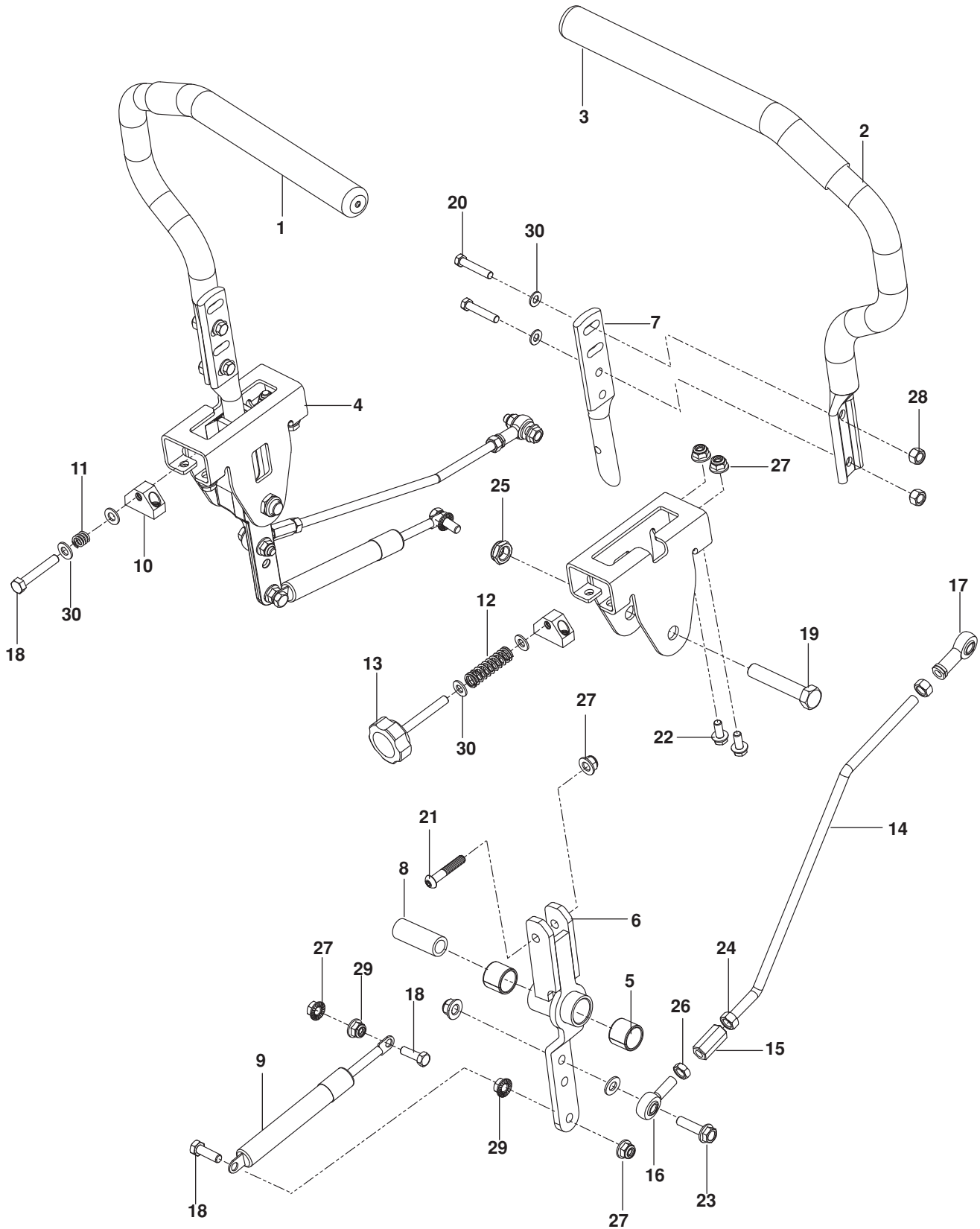
ENGINE PLATE



ENGINE PLATE

| ITEM | PART NO. | QTY. | DESCRIPTION | ITEM | PART NO. | QTY. | DESCRIPTION |
|------|--------------------|------|--|-----------|-------------------|------|--|
| 1.. | 574 84 63-02..... | 1 | PLATE, ENGINE, BLK | 27.. | 539 99 02-09..... | 2 | BOLT $\frac{5}{16}$ -18 x 1 HEX HD |
| 2.. | 574 84 64-02..... | 1 | PLATE, IDLER SUPPORT, BLK | 28.. | 539 10 04-13..... | 1 | BOLT $\frac{3}{8}$ -16 x 1 $\frac{1}{4}$ RD HD SQNK |
| 3.. | 574 81 10-01..... | 1 | PULLEY, V, 1.125 BORE | 29.. | 539 13 02-35..... | 1 | BOLT $\frac{3}{8}$ -16 x 2 $\frac{3}{4}$ RD HD SQNK |
| 4.. | 539 97 66-88..... | 1 | PULLEY, IDLER | 30.. | 539 10 72-71..... | 2 | BOLT $\frac{5}{16}$ -18 x 1 RD HD SQNK |
| 5.. | 539 10 76-20..... | 1 | PULLEY, IDLER SECONDARY | 31.. | 539 99 03-02..... | 1 | SCREW $\frac{1}{4}$ -20 x 8 THD FRM |
| 6.. | 574 87 09-01..... | 1 | BELT | 32.. | 532 18 39-06..... | 4 | SCREW $\frac{5}{16}$ -18 x 1 SKT HD |
| 7.. | 525 43 56-01..... | 1 | PIVOT, IDLER | 33.. | 532 12 06-16..... | 4 | SCREW $\frac{3}{8}$ -16 x 1 THD FRM |
| 8.. | 510 20 63-01..... | 1 | PIVOT, BEARING | 34.. | 539 99 06-13..... | 1 | NUT $\frac{3}{8}$ -16 HEX WHIZLK |
| 9.. | 510 04 16-03..... | 1 | ARM, IDLER w/ BEARINGS | 35.. | 539 11 28-99..... | 15 | NUT $\frac{5}{16}$ -18 HEX FLANGE NYL |
| 10.. | 574 60 70-01..... | 1 | CLUTCH, 200 FT-LB | 36.. | 521 99 11-01..... | 1 | NUT $\frac{1}{2}$ -13 HEX FLANGE NYL |
| 11.. | 575 01 73-02..... | 1 | STOP, CLUTCH BLK | 37.. | 539 20 02-82..... | 4 | NUT $\frac{3}{8}$ -16 HEX JAM NYLOC |
| 12.. | 539 10 27-57..... | 1 | CABLE, POSITIVE | 38.. | 521 99 65-01..... | 2 | NUT $\frac{3}{8}$ -16 HEX FLANGE NYL |
| 13.. | 576 70 18-01..... | 1 | MUFFLER | 39.. | 539 10 81-20..... | 3 | NUT $\frac{1}{4}$ -20 HEX THIN |
| 14.. | 532 19 25-07..... | 1 | SOLENOID | 40.. | 539 11 18-97..... | 1 | WASHER, SPECIAL |
| 15.. | 510 25 44-01..... | 1 | SPRING, PUMP | 41.. | 539 11 55-28..... | 1 | WASHER $\frac{1}{2}$ BELLEVILLE |
| 16.. | 539 11 46-62..... | 1 | SHIELD, DUST | 42.. | 539 10 95-62..... | 1 | WASHER $\frac{3}{8}$ x $\frac{3}{4}$ |
| 17.. | 510 25 45-01..... | 2 | SHIELD, DUST | 43.. | 539 99 01-88..... | 2 | WASHER $\frac{5}{16}$ SAE FLAT |
| 18.. | 539 91 27-57..... | 1 | KEY $\frac{1}{4}$ SQ x 1 $\frac{1}{4}$ | 44.. | 539 10 95-54..... | 2 | WASHER $\frac{1}{2}$ FLAT ZD |
| 19.. | 579 15 09-01 | 1 | SHIELD, MUFFLER | 45.. | 539 99 02-47..... | 1 | WASHER $\frac{7}{16}$ SLW |
| 20.. | 539 10 27-59..... | 2 | INSULATOR | 46.. | 539 99 00-53..... | 1 | WASHER $\frac{1}{4}$ INT TOOTH LK |
| 21.. | 532 13 15-63..... | 1 | INSULATOR | NOT SHOWN | | | |
| 22.. | 586 83 96-01..... | 2 | GASKET, MUFFLER | ----- | | 1 | ENGINE, Briggs & Stratton 49T877 27 HP For engine replacement parts, see a B&S dealer |
| 23.. | 539 10 34-33..... | 1 | BOLT $\frac{1}{2}$ -13 x 3 $\frac{1}{4}$ HEX HD | | | | |
| 24.. | 525 86 62-01..... | 1 | BOLT $\frac{3}{8}$ -16 x 2 HEX FLG HD | | | | |
| 25.. | 525 46 47-01..... | 11 | BOLT $\frac{5}{16}$ -18 x $\frac{3}{4}$ HEX FLG HD | | | | |
| 26.. | 539 99 11-20..... | 1 | BOLT $\frac{7}{16}$ -20 x 2 $\frac{1}{2}$ HEX HD | | | | |

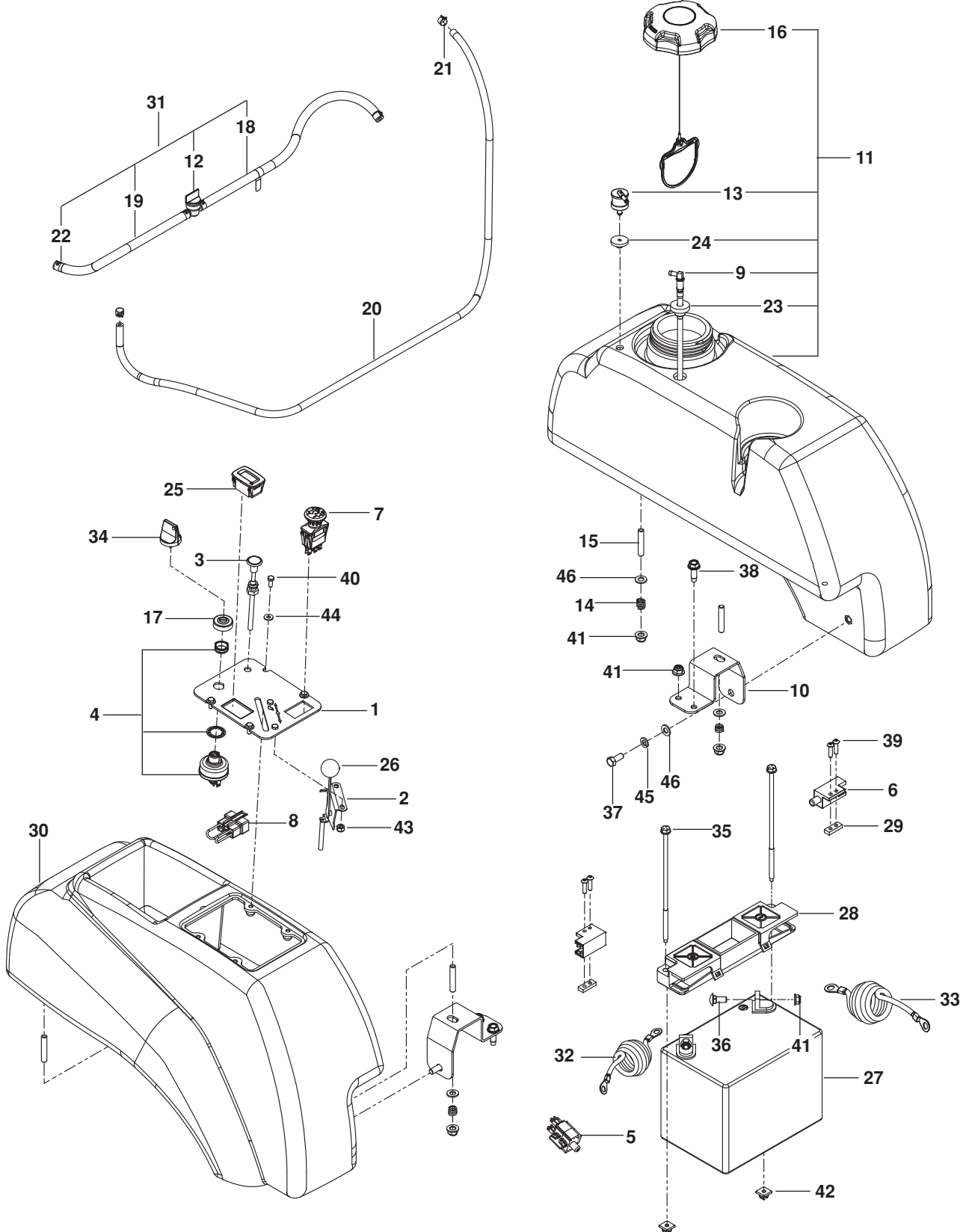
STEERING



STEERING

| ITEM | PART NO. | QTY. | DESCRIPTION | ITEM | PART NO. | QTY. | DESCRIPTION |
|------|--------------------|------|-----------------------|------|-------------------|------|--|
| 1.. | 539 13 20-09..... | 1 | LEVER w/ GRIP RT | 16.. | 539 11 66-90..... | 2 | ROD END LT |
| 2.. | 539 13 20-10..... | 1 | LEVER w/ GRIP LT | 17.. | 539 11 57-29..... | 2 | ROD END RT |
| 3.. | 539 13 08-94..... | 2 | GRIP, FOAM | 18.. | 874 78 05-20..... | 5 | BOLT ⁵ / ₁₆ -18 x 1 ¹ / ₄ HEX HD |
| 4.. | 586 73 72-02..... | 2 | BRACKET, CONTROL | 19.. | 874 78 08-44..... | 2 | BOLT ¹ / ₂ -13 x 2 ³ / ₄ HEX HD |
| 5.. | 532 43 82-82..... | 4 | BEARING, FLG | 20.. | 539 97 69-35..... | 4 | BOLT ⁵ / ₁₆ -18 x 1 ¹ / ₂ HEX HD |
| 6.. | 587 18 77-01..... | 2 | LEVER, CONTROL | 21.. | 576 85 04-02..... | 2 | SCREW ⁵ / ₁₆ -18 X 1 ³ / ₄ BTN HD |
| 7.. | 577 42 00-01..... | 2 | LEVER, HANDLE | 22.. | 525 46 47-01..... | 8 | BOLT ⁵ / ₁₆ -18 X ³ / ₄ HEX FLG HD |
| 8.. | 584 92 72-01..... | 2 | SPACER, PIVOT CONTROL | 23.. | 525 54 40-01..... | 4 | BOLT ⁵ / ₁₆ -18 x 1 ¹ / ₄ HEX FLG HD |
| 9.. | 539 10 27-20..... | 2 | DAMPENER | 24.. | 539 99 02-23..... | 4 | NUT ⁵ / ₁₆ -24 HEX |
| 10.. | 581 43 75-01 | 2 | BLOCK, TRACKING | 25.. | 539 10 80-10..... | 2 | NUT ¹ / ₂ -13 HEX JAM NYL GR2 |
| 11.. | 539 10 28-45..... | 1 | SPRING | 26.. | 539 99 10-73..... | 2 | NUT ⁵ / ₁₆ -24 HEX JAM LH |
| 12.. | 576 85 03-01..... | 1 | SPRING | 27.. | 539 11 28-99..... | 10 | NUT ⁵ / ₁₆ -18 HEX FLG NYLOC |
| 13.. | 539 13 17-99..... | 1 | KNOB | 28.. | 539 99 07-17..... | 6 | NUT ⁵ / ₁₆ -18 HEX NYLOC |
| 14.. | 574 81 14-01..... | 2 | ROD, MOTION CONTROL | 29.. | 539 99 05-85..... | 4 | NUT ⁵ / ₁₆ -18 HEX WHIZLK |
| 15.. | 539 11 66-89..... | 2 | COUPLER, ROD END | 30.. | 819 11 11-16..... | 12 | WASHER ⁵ / ₁₆ SAE FLT |

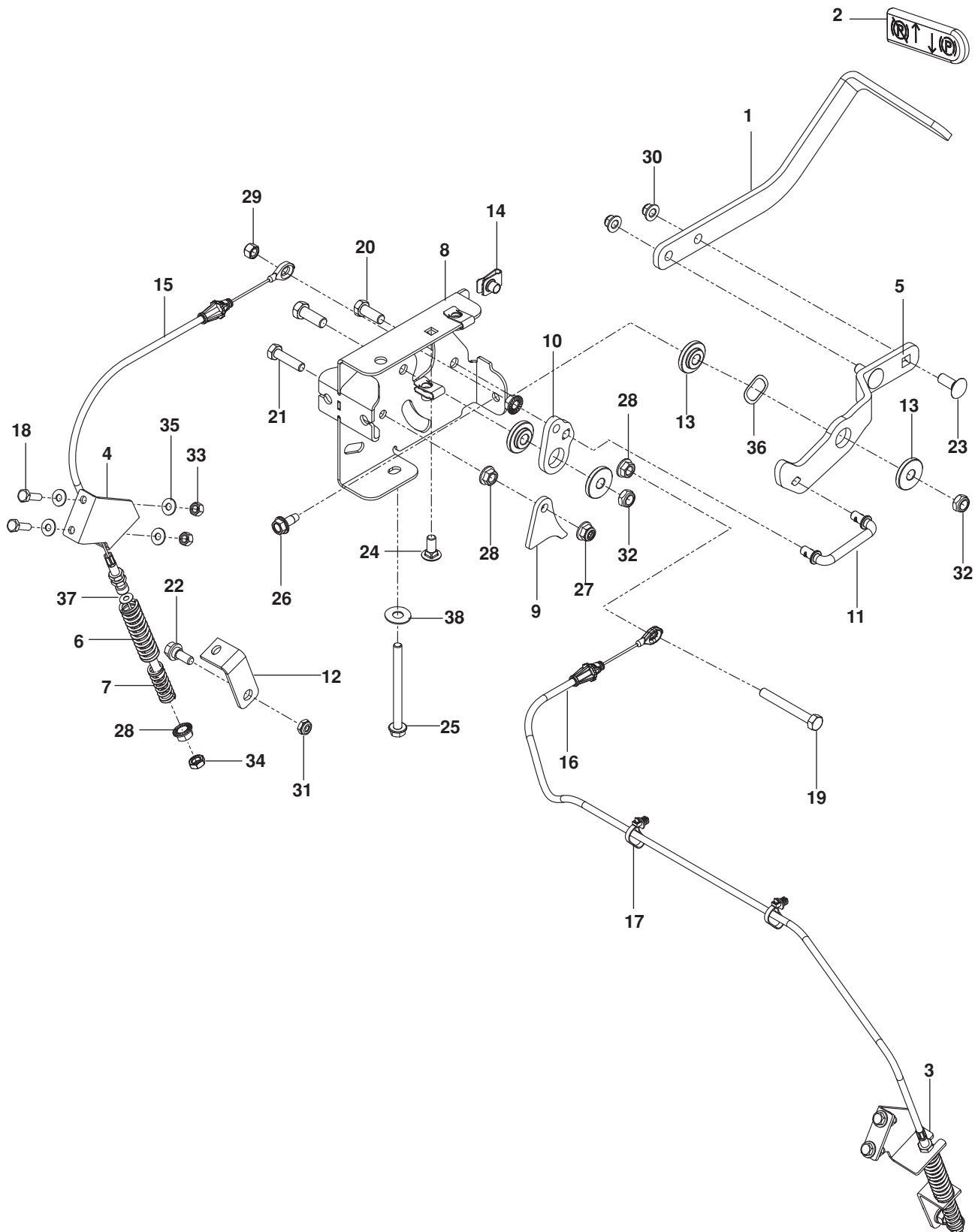
IGNITION



IGNITION

| ITEM | PART NO. | QTY. | DESCRIPTION | ITEM | PART NO. | QTY. | DESCRIPTION |
|------|-------------------|------|--------------------------|-------------------|-------------------|---------------|-------------------------------|
| 1.. | 574 84 12-04..... | 1 | PLATE, CONSOLE, BLK | 25.. | 586 16 18-01..... | 1 | METER, SERVICE |
| 2.. | 539 11 24-38..... | 1 | CABLE, THROTTLE | 26.. | 539 13 30-49..... | 1 | KNOB |
| 3.. | 574 20 69-03..... | 1 | CHOKE CONTROL | 27.. | 539 10 24-36..... | 1 | BATTERY |
| 4.. | 574 45 54-01..... | 1 | SWITCH, IGNITION | 28.. | 539 10 76-28..... | 1 | BATTERY HOLD DOWN |
| 5.. | 539 11 37-92..... | 1 | SWITCH, BRAKE | 29.. | 539 10 26-78..... | 2 | PLATE, TAPPED |
| 6.. | 532 10 95-53..... | 2 | SWITCH, INTERLOCK | 30.. | 539 10 75-93..... | 1 | CONSOLE, RT GRY |
| 7.. | 539 13 16-27..... | 1 | SWITCH, PTO 10 AMP | 31.. | 576 54 78-01..... | 1 | ASSY, FUEL LINE |
| 8.. | 575 32 10-01..... | 1 | PLUG, TIMER | 32.. | 539 10 49-74..... | 1 | CABLE, POSITIVE 31" |
| 9.. | 576 46 92-01..... | 1 | FITTING, FUEL | 33.. | 539 10 76-45..... | 1 | CABLE, NEGATIVE 32" |
| 10.. | 539 13 16-71..... | 2 | SUPPORT, TANK, BLK | 34.. | 574 45 55-01..... | 1 | KEY, IGNITION |
| 11.. | 585 72 23-01..... | 1 | TANK ASSY LT GRY | 35.. | 539 10 76-32..... | 2 | BOLT 1/4 x 7 1/2 |
| 12.. | 539 91 63-25..... | 1 | VALVE, FUEL | 36.. | 539 99 03-16..... | 2 | BOLT 5/16-18 x 3/4 RD HD SQNK |
| 13.. | 576 61 81-01..... | 1 | VALVE, FUEL CHECK | 37.. | 874 78 05-12..... | 2 | BOLT 5/16-18 x 3/4 HEX HD |
| 14.. | 539 10 28-45..... | 6 | SPRING | 38.. | 817 49 05-16..... | 3 | SCREW 5/16-18 x 1 THD FRM |
| 15.. | 539 10 25-02..... | 6 | STUD 5/16-18 | 39.. | 574 82 27-01..... | 4 | SCREW #10-24 x 3/4 SKT HD |
| 16.. | 575 01 81-01..... | 1 | FUEL CAP w /TETHER | 40.. | 539 99 04-11..... | 6 | SCREW #10-24 x 1/2 SLT |
| 17.. | 539 10 31-78..... | 1 | CAP, IGNITION SWITCH NUT | 41.. | 539 11 28-99..... | 12 | NUT 5/16-18 HEX FLANGE NYL |
| 18.. | 587 04 48-26..... | 1 | HOSE, FUEL 26" | 42.. | 539 10 76-29..... | 2 | NUT 1/4 PUSH NYLON |
| 19.. | 587 04 48 10..... | 1 | HOSE, FUEL 10" | 43.. | 539 97 69-77..... | 2 | NUT #10-24 NYLOC |
| 20.. | 587 04 45-48..... | 1 | HOSE 3/16 VAPOR 48" | 44.. | 819 07 08-18..... | 4 | WASHER #10 |
| 21.. | 575 43 65-01..... | 2 | CLAMP, HOSE | 45.. | 810 03 05-00..... | 2 | WASHER 5/16 SLW |
| 22.. | 539 91 22-22..... | 4 | CLAMP, HOSE | 46.. | 819 11 11-16..... | 8 | WASHER 5/16 SAE |
| 23.. | 539 10 52-45..... | 1 | GROMMET, RUBBER | NOT SHOWN | | | |
| 24.. | 576 61 82-01..... | 1 | GROMMET, CHECK VALVE | 585 99 97-01..... | 1 | HARNESS, MAIN | |

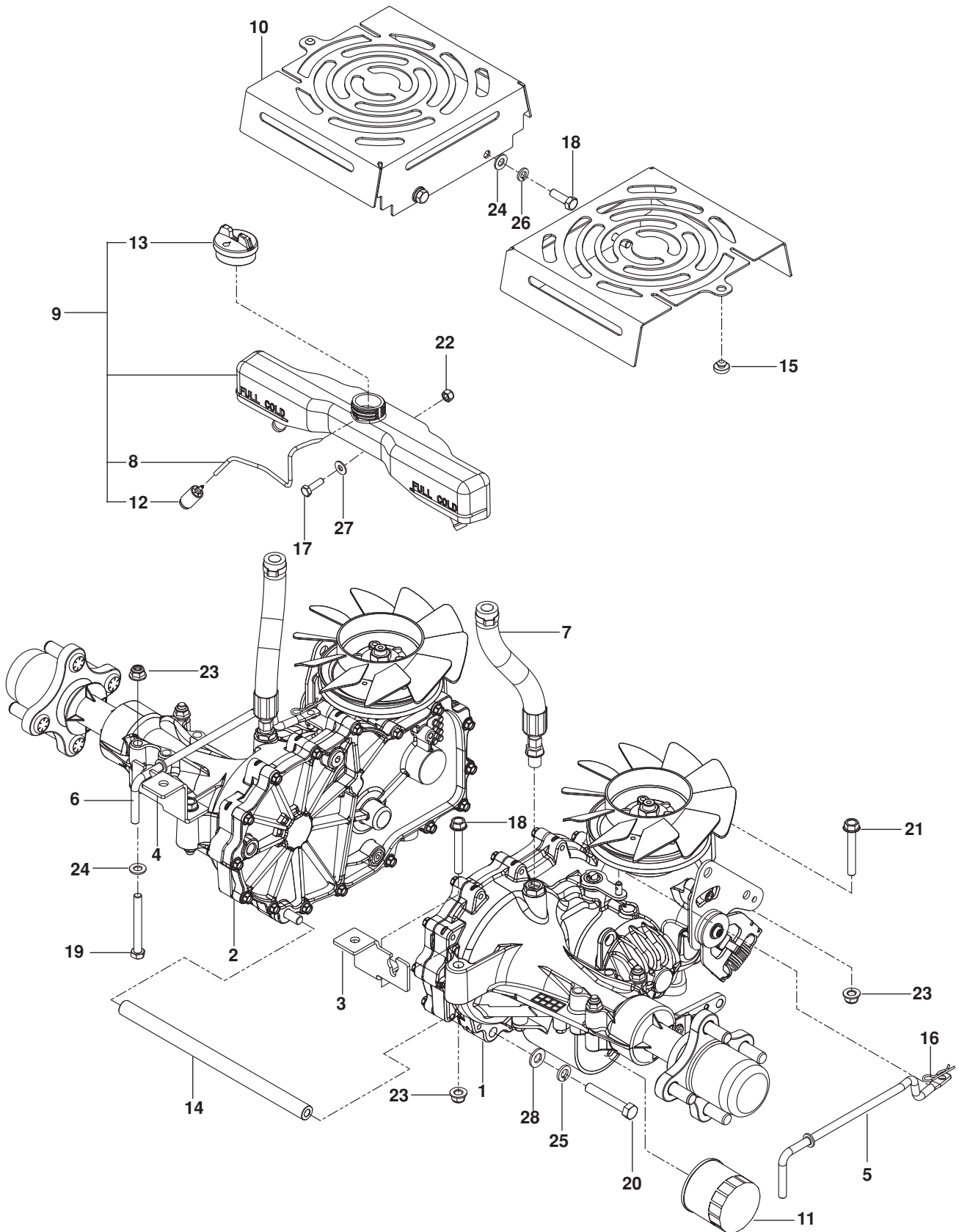
PARKING BRAKE



PARKING BRAKE

| ITEM | PART NO. | QTY. | DESCRIPTION | ITEM | PART NO. | QTY. | DESCRIPTION |
|------|-------------------|------|----------------------------------|------|-------------------|------|---------------------------------|
| 1.. | 539 13 21-51..... | 1 | ARM, BRAKE | 20.. | 539 99 05-63..... | 2 | BOLT 3/8-16 x 1 HEX HD |
| 2.. | 539 10 50-36..... | 1 | GRIP, BRAKE HANDLE | 21.. | 539 99 02-09..... | 1 | BOLT 5/16-18 x 1 HEX HD |
| 3.. | 575 22 96-02..... | 1 | BRACKET, RT BLK | 22.. | 539 11 03-03..... | 2 | BOLT 5/16 SHOULDER |
| 4.. | 575 22 97-02..... | 1 | BRACKET, LT BLK | 23.. | 539 99 06-45..... | 2 | BOLT 3/8-16 x 1 RD HD SQNK |
| 5.. | 539 13 24-23..... | 1 | LEVER, BRAKE | 24.. | 539 99 03-16..... | 1 | BOLT 5/16-18 x 3/4 |
| 6.. | 575 23 02-01..... | 2 | SPRING, RETURN | 25.. | 539 13 17-80..... | 1 | BOLT 5/16-18 x 3 3/4 HEX FLG HD |
| 7.. | 575 23 03-01..... | 2 | SPRING, ENGAGEMENT | 26.. | 539 10 74-75..... | 1 | BOLT 5/16-18 x 3/4 THD FRM |
| 8.. | 539 13 21-58..... | 1 | MOUNT, BRAKE | 27.. | 539 11 28-99..... | 4 | NUT 5/16-18 HEX FLG NYLOC |
| 9.. | 539 13 21-54..... | 1 | ACTUATOR, SWITCH | 28.. | 539 99 05-85..... | 5 | NUT 5/16-18 HEX WHIZLK |
| 10.. | 539 13 21-53..... | 1 | BELLCRANK, BRAKE | 29.. | 539 99 07-17..... | 1 | NUT 5/16-18 HEX NYLOC |
| 11.. | 539 13 24-24..... | 1 | LINKAGE, BRAKE | 30.. | 521 99 65-01..... | 2 | NUT 3/8-16 HEX FLG NYLOC |
| 12.. | 575 22 98-02..... | 2 | BRACKET, BRAKE | 31.. | 539 11 56-17..... | 2 | NUT 5/16 HEX NYLOC |
| 13.. | 539 13 21-61..... | 4 | BUSHING, BRAKE | 32.. | 539 20 02-82..... | 2 | NUT 3/8-16 HEX JAM NYLOC |
| 14.. | 539 10 47-63..... | 3 | RETAINER, U TYPE 5/16-18 | 33.. | 539 97 69-78..... | 4 | NUT 1/4-20 HEX NYLOC |
| 15.. | 539 13 21-73..... | 1 | CABLE, BRAKE SHORT | 34.. | 539 10 78-97..... | 2 | NUT 5/16-18 HEX JAM |
| 16.. | 539 13 21-74..... | 2 | CABLE, BRAKE LONG | 35.. | 539 99 00-55..... | 8 | WASHER 1/4 SAE FLT |
| 17.. | 505 28 00-01..... | 2 | TIE WRAP w/ CLIP | 36.. | 539 13 30-07..... | 1 | WASHER .825 WAVE |
| 18.. | 539 99 06-43..... | 4 | BOLT 1/4-20 x 7/8 HEX HD | 37.. | 539 99 01-22..... | 2 | WASHER 3/8 SAE |
| 19.. | 539 10 83-96..... | 1 | BOLT 5/16-18 x 2 1/2 TPBLT HX HD | 38.. | 539 10 95-54..... | 1 | WASHER 1/2 FLT |

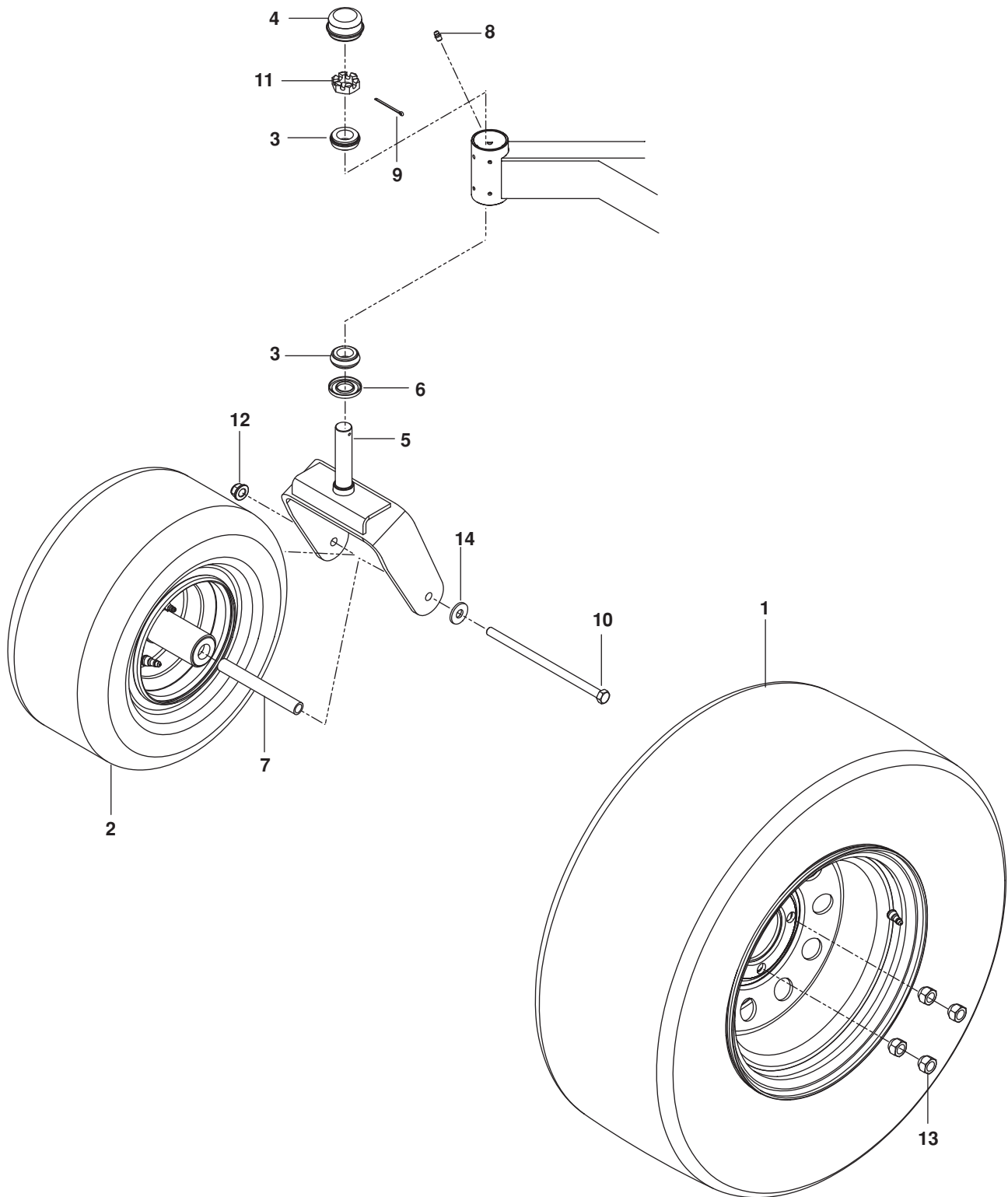
HYDRAULIC PUMP-MOTOR



HYDRAULIC PUMP-MOTOR

| ITEM | PART NO. | QTY. | DESCRIPTION | ITEM | PART NO. | QTY. | DESCRIPTION |
|------|-------------------|---------|----------------------|------|-------------------|---------|---------------------------------|
| 1.. | 574 56 91-01..... | 1 | TRANS, ZT-3400, LT | 15.. | 539 10 25-87..... | 2 | GROMMET, BUMPER |
| 2.. | 574 56 91-02..... | 1 | TRANS, ZT-3400, RT | 16.. | 539 97 69-88..... | 2 | HAIRPIN COTTER |
| 3.. | 575 01 71-02..... | 1 | BRACKET, TRANS, LT | 17.. | 539 99 06-43..... | 1 | BOLT 1/4-20 x 7/8 HEX HD |
| 4.. | 575 01 70-02..... | 1 | BRACKET, TRANS, RT | 18.. | 539 99 02-09..... | 4 | BOLT 5/16-18 x 1 HEX HD |
| 5.. | 539 13 16-16..... | 1 | LINKAGE, BYPASS LT | 19.. | 539 10 17-21..... | 4 | BOLT 5/16-18 x 2 3/4 HEX HD |
| 6.. | 539 13 16-18..... | 1 | LINKAGE, BYPASS RT | 20.. | 539 10 85-51..... | 2 | BOLT 3/8-16 x 2 1/2 HEX HD GR8 |
| 7.. | 574 89 21-01..... | 2 | HOSE, EXPANSION | 21.. | 574 23 38-01..... | 4 | BOLT 5/16-18 x 2 1/4 HEX FLG HD |
| 8.. | 586 06 75-01..... | 1 | HOSE, FUEL | 22.. | 539 97 69-78..... | 1 | NUT 1/4-20 HEX NYLOC |
| 9.. | 585 31 82-01..... | 1 | TANK, EXPANSION | 23.. | 539 11 28-99..... | 8 | NUT 5/16-18 HEX FLG NYLOC |
| 10.. | 584 99 42-02..... | 2 | COVER, FAN | 24.. | 539 99 01-88..... | 8 | WASHER 5/16 SAE FLT |
| 11.. | 539 11 34-66..... | 2 | FILTER, HYDRO | 25.. | 539 99 01-18..... | 2 | WASHER 3/8 SPLT LK |
| 12.. | 530 09 56-46..... | 1 | FILTER | 26.. | 539 99 01-87..... | 4 | WASHER 5/16 SLW |
| 13.. | 586 07 27-01..... | 1 | CAP, TANK | 27.. | 539 99 00-55..... | 1 | WASHER 1/4 SAE FLT |
| 14.. | 574 86 85-01..... | 1 | TUBE 10 3/8 " SPACER | 28.. | 539 99 01-22..... | 2 | WASHER 3/8 SAE FLT |

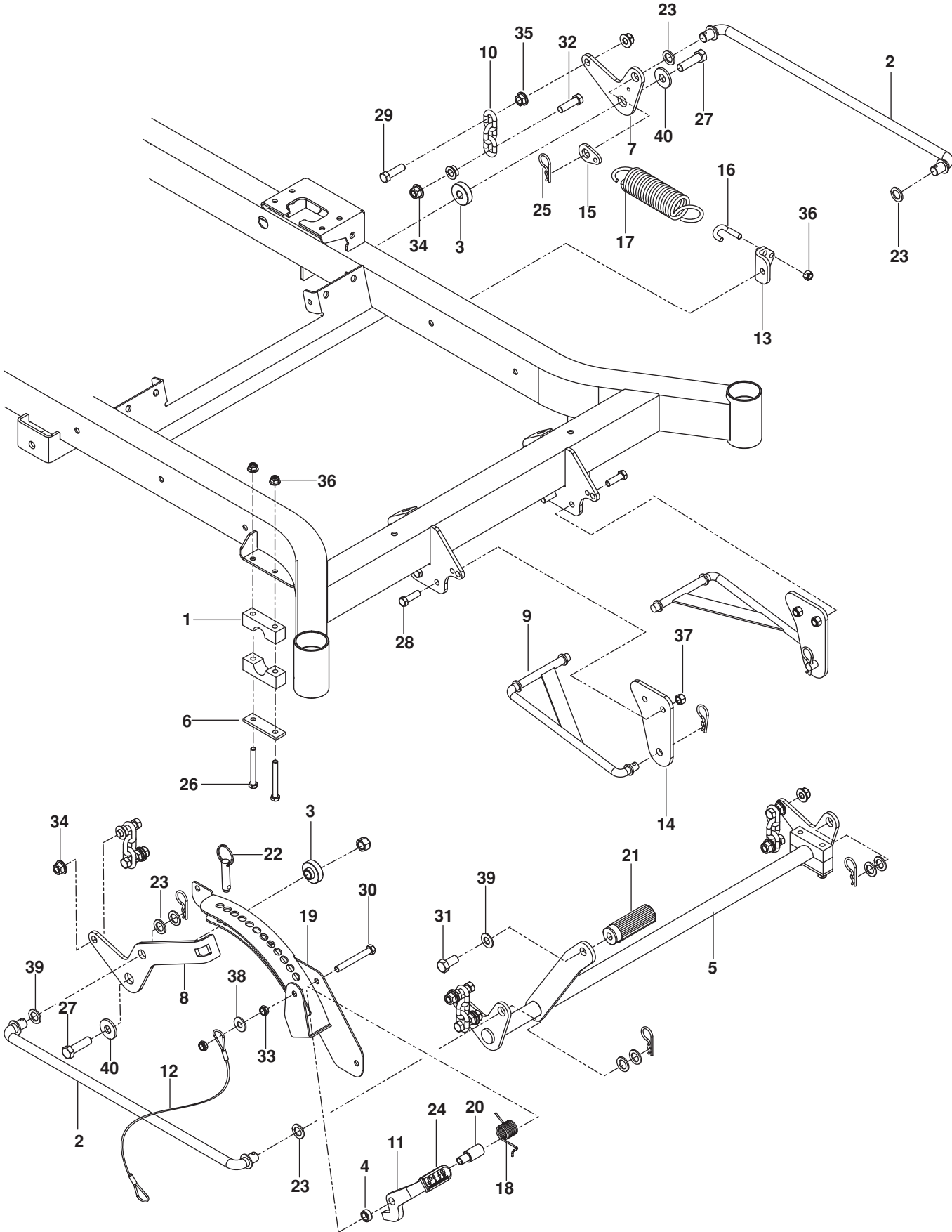
WHEELS



WHEELS

| ITEM | PART NO. | QTY. | DESCRIPTION | ITEM | PART NO. | QTY. | DESCRIPTION |
|------|-------------------|--------|--------------------------|------|--------------------|--------|----------------------------|
| 1.. | 586 95 54-01..... | 2..... | WHEEL ASSY, 23 x 10.5-12 | 8.. | 539 10 14-74..... | 2..... | ZERK |
| 2.. | 581 19 95-01..... | 2..... | WHEEL ASSY 13 x 6.5 | 9.. | 539 10 28-89..... | 2..... | COTTER PIN 1/8 x 2 |
| 3.. | 539 10 25-43..... | 4..... | BEARING | 10.. | 539 10 55-17..... | 2..... | BOLT 1/2-13 x 9 1/2 HEX HD |
| 4.. | 539 10 25-35..... | 2..... | CAP, GREASE | 11.. | 539 10 28-52..... | 2..... | NUT 1"-14 SLOTTED JAM |
| 5.. | 575 32 92-02..... | 2..... | YOKE, CASTER, ORG | 12.. | 521 99 11-01 | 2..... | NUT 1/2-13 HEX FLG NYLOC |
| 6.. | 539 10 28-51..... | 2..... | SEAL | 13.. | 539 10 11-73..... | 8..... | NUT 1/2-20 LUG |
| 7.. | 575 33 49-01..... | 2..... | SPACER, PIVOT | 14.. | 539 10 95-54..... | 2..... | WASHER 1/2 FLT |

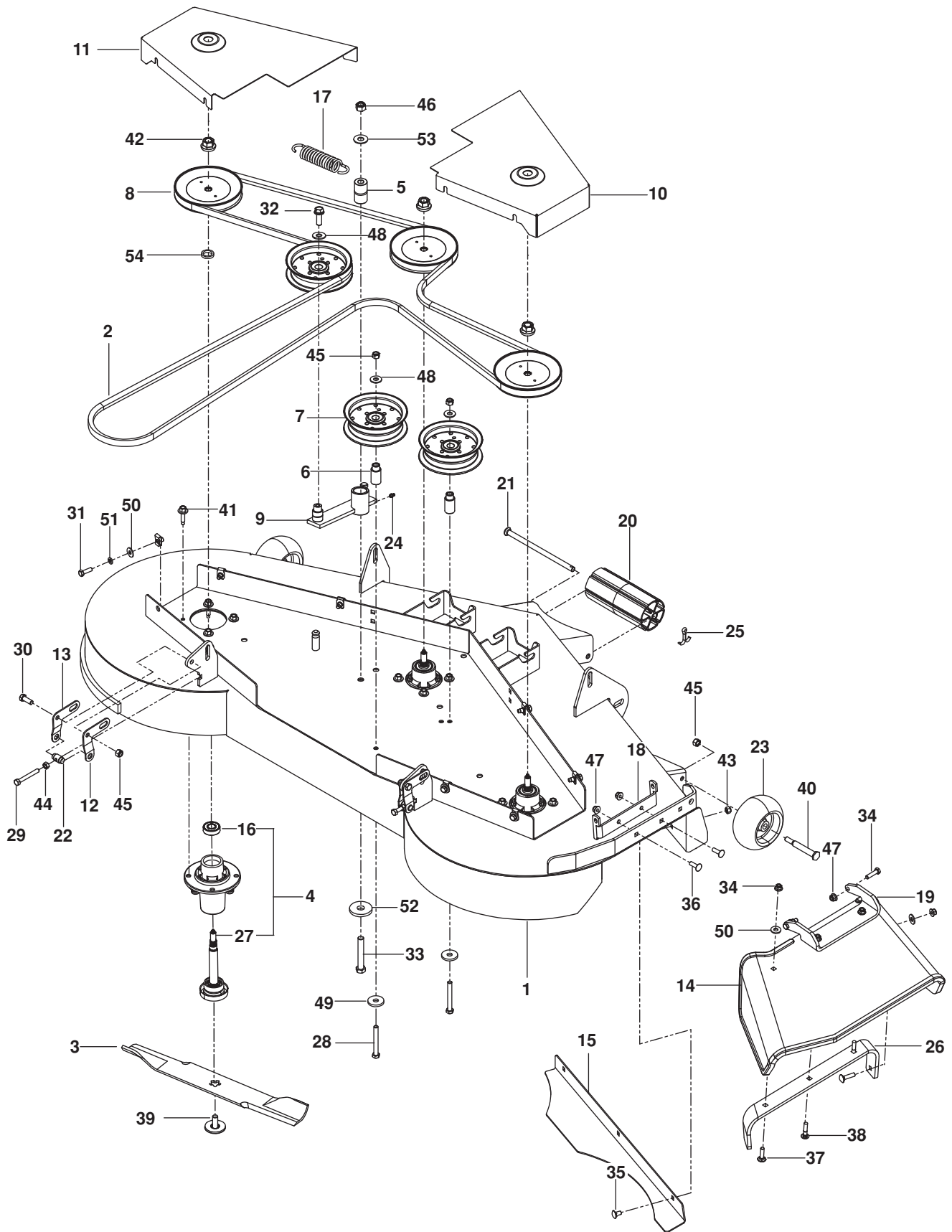
MOWER LIFT / DECK LIFT



MOWER LIFT / DECK LIFT

| ITEM | PART NO. | QTY. | DESCRIPTION | ITEM | PART NO. | QTY. | DESCRIPTION |
|------|-------------------|--------|-------------------------|------|-------------------|---------|----------------------------|
| 1.. | 539 10 48-08..... | 4..... | PILLOW BLOCK | 21.. | 510 40 83-01..... | 1..... | PEDAL, FOOT |
| 2.. | 539 11 08-08..... | 2..... | LINK, DECK LIFT | 22.. | 539 13 21-82..... | 1..... | PIN ½ x 1½ DETENT RING |
| 3.. | 586 70 17-01..... | 2..... | SPACER, IDLER | 23.. | 539 99 10-43..... | 10..... | BUSHING .625 |
| 4.. | 539 13 18-61..... | 1..... | SPACER | 24.. | 539 13 28-51..... | 1..... | GRIP |
| 5.. | 581 21 52-02..... | 1..... | SHAFT, FRONT LIFT BLK | 25.. | 539 11 55-01..... | 6..... | PIN, COTTER 1¾ |
| 6.. | 539 10 48-07..... | 2..... | REINFORCEMENT BAR | 26.. | 539 10 17-21..... | 4..... | BOLT 5/16-18 x 2¾ HEX HD |
| 7.. | 539 13 18-97..... | 1..... | BELLCRANK, RR, LIFT BLK | 27.. | 539 10 81-81..... | 2..... | BOLT ½-13 x 1¾ GR 8 HEX HD |
| 8.. | 539 13 18-53..... | 1..... | BELLCRANK, RR, RT BLK | 28.. | 539 97 69-41..... | 4..... | BOLT 3/8-16 X 1¼ HEX HD |
| 9.. | 539 11 22-23..... | 2..... | LINKAGE, STRUT | 29.. | 539 10 11-75..... | 4..... | BOLT 7/16-14 x 1½ HEX HD |
| 10.. | 539 10 96-93..... | 4..... | LIFT CHAIN-3 LINK | 30.. | 874 78 06-48..... | 1..... | BOLT 3/8-16 x 3 HEX HD |
| 11.. | 539 13 15-66..... | 1..... | LATCH, TRANSPORT | 31.. | 539 99 06-46..... | 1..... | BOLT ½-13 x 1 HEX HD |
| 12.. | 539 10 50-59..... | 1..... | LANYARD | 32.. | 539 10 80-73..... | 4..... | BOLT 7/16-14 x 1¾ HEX HD |
| 13.. | 539 13 17-91..... | 1..... | MOUNT, SPRING | 33.. | 539 20 02-82..... | 2..... | NUT 3/8-16 HEX JAM NYLOC |
| 14.. | 539 13 20-17..... | 2..... | MOUNT, STRUT | 34.. | 539 13 20-19..... | 8..... | NUT 7/16-14 HEX WHIZ LK |
| 15.. | 539 13 17-92..... | 1..... | TAB, SPRING | 35.. | 539 10 25-82..... | 8..... | NUT 7/16-14 HEX WHIZ LK |
| 16.. | 539 11 28-96..... | 1..... | J-BOLT | 36.. | 539 11 28-99..... | 5..... | NUT 5/16-18 HEX FLG NYLOC |
| 17.. | 539 10 26-42..... | 1..... | SPRING | 37.. | 539 97 69-79..... | 4..... | NUT 3/8-16 HEX NYLOC |
| 18.. | 539 13 27-34..... | 1..... | SPRING, TORSION | 38.. | 819 14 14-16..... | 1..... | WASHER 3/8 FLT |
| 19.. | 539 13 18-50..... | 1..... | HEIGHT ADJUST, DECK | 39.. | 539 10 28-43..... | 1..... | WASHER 7/16 SPRING |
| 20.. | 539 13 18-60..... | 1..... | PIVOT LATCH, TRANSPORT | 40.. | 539 10 95-54..... | 2..... | WASHER ½ FLT |

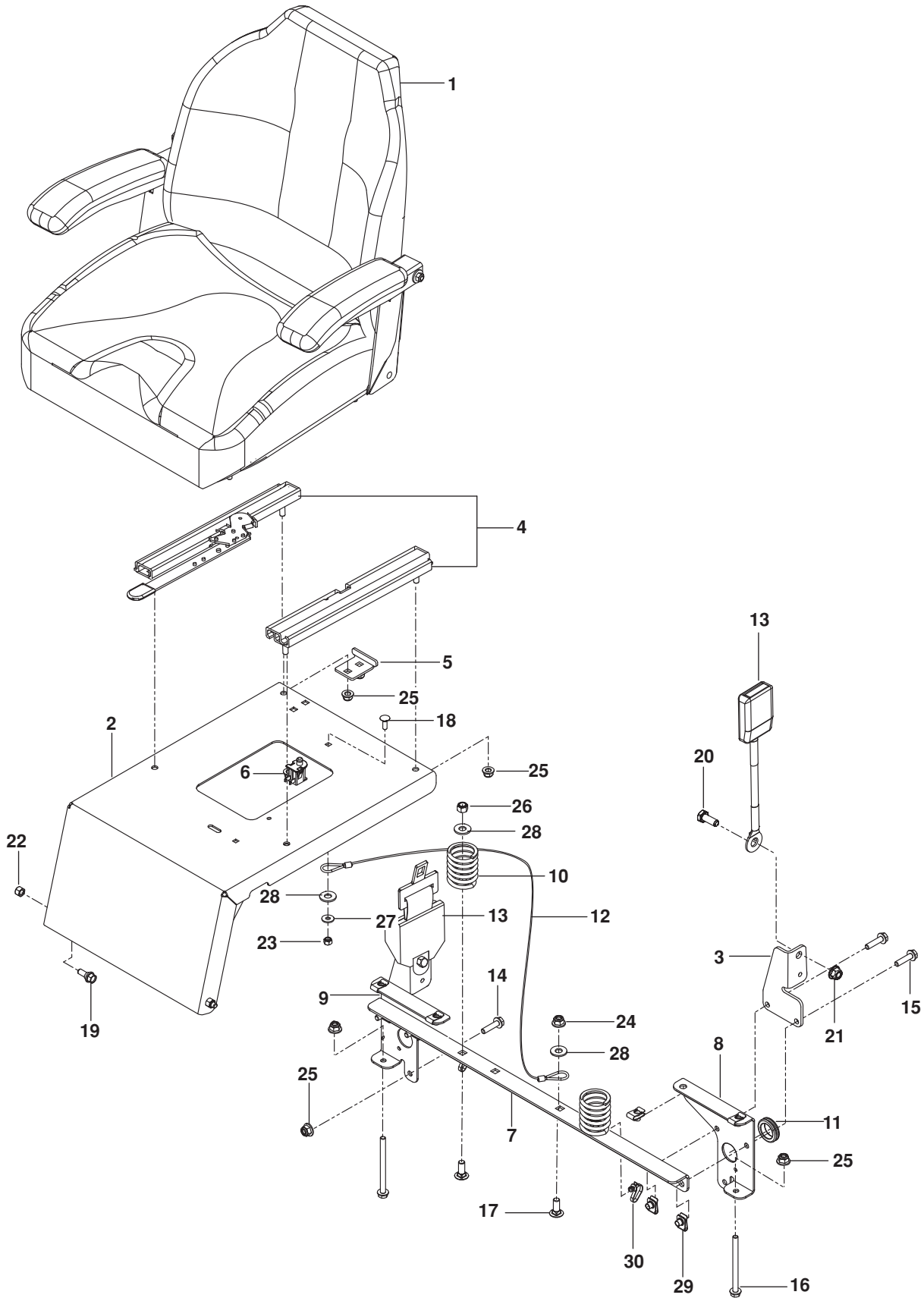
MOWER DECK / CUTTING DECK



MOWER DECK / CUTTING DECK

| ITEM | PART NO. | QTY. | DESCRIPTION | ITEM | PART NO. | QTY. | DESCRIPTION |
|------|-------------------|------|-----------------------|------|-------------------|------|-----------------------------------|
| 1.. | 581 50 54-01..... | 1 | DECK w/ SAFETY DECALS | 28.. | 874 78 06-48..... | 2 | BOLT 3/8-16 x 3 HEX HD |
| 2.. | 539 10 43-35..... | 1 | BELT, DECK | 29.. | 539 10 83-96..... | 2 | BOLT 5/16-18 x 2 1/2 HEX HD TPBLT |
| 3.. | 539 11 33-12..... | 3 | BLADE, 21" | 30.. | 539 99 05-63..... | 2 | BOLT 3/8-16 x 1 HEX HD |
| 4.. | 539 13 18-98..... | 3 | HOUSING ASSEMBLY | 31.. | 539 97 69-34..... | 8 | BOLT 5/16-18 x 3/4 HEX HD |
| 5.. | 539 10 34-27..... | 1 | BUSHING, PIVOT | 32.. | 539 99 05-82..... | 1 | BOLT 3/8-16 x 1 WHIZLK HEX HD |
| 6.. | 539 11 21-69..... | 2 | BUSHING, IDLER | 33.. | 539 10 34-33..... | 1 | BOLT 1/2-13 x 3/4 HEX HD |
| 7.. | 539 13 27-28..... | 3 | PULLEY, IDLER | 34.. | 874 78 05-20..... | 2 | BOLT 5/16-18 x 1 1/4 HEX HD |
| 8.. | 539 11 33-00..... | 3 | PULLEY | 35.. | 539 99 07-99..... | 3 | BOLT 5/16-18 x 5/8 RD HD SQNK |
| 9.. | 539 11 49-52..... | 1 | ARM, IDLER | 36.. | 872 11 05-08..... | 2 | BOLT 5/16-18 x 1 RD HD SQNK |
| 10.. | 539 11 33-19..... | 1 | BELT SHIELD, RT ORG | 37.. | 539 10 04-72..... | 2 | BOLT 5/16-18 x 1 1/4 RD HD SQNK |
| 11.. | 539 11 33-22..... | 1 | BELT SHIELD, LT ORG | 38.. | 539 10 29-33..... | 2 | BOLT 5/16-18 x 1 1/2 RD HD SQNK |
| 12.. | 584 85 94-02..... | 2 | PITCH ADJUST, RT | 39.. | 532 19 30-03..... | 3 | BOLT 7/16 BLADE |
| 13.. | 584 85 94-04..... | 2 | PITCH ADJUST, LT | 40.. | 532 13 76-44..... | 2 | BOLT 3/8-16x 3 3/8 SHOULDER |
| 14.. | 539 13 09-01..... | 1 | CHUTE, DISCHARGE | 41.. | 584 95 39-01..... | 12 | BOLT, WSH HEAD |
| 15.. | 539 11 33-17..... | 1 | PLATE, CONFINEMENT | 42.. | 532 40 02-34..... | 3 | NUT 9/16 TOP CENTER LOCK |
| 16.. | 532 11 04-85..... | 3 | BEARING, BALL | 43.. | 539 99 07-17..... | 3 | NUT 5/16-18 HEX NYLOC |
| 17.. | 539 10 32-56..... | 1 | SPRING | 44.. | 539 99 01-96..... | 2 | NUT 5/16-18 HEX |
| 18.. | 581 60 61-02..... | 1 | BRACKET ORG | 45.. | 539 97 69-79..... | 6 | NUT 3/8-16 HEX NYLOC |
| 19.. | 539 13 09-17..... | 1 | BRACKET | 46.. | 539 10 13-31..... | 1 | NUT 1/2 HEX NYLOC |
| 20.. | 532 17 60-66..... | 1 | ROLLER, NOSE | 47.. | 539 11 28-99..... | 8 | NUT 5/16-18 HEX FLG NYLOC |
| 21.. | 532 17 91-27..... | 1 | ROD, ROLLER, NOSE | 48.. | 539 99 05-17..... | 3 | WASHER 3/8 FLAT STD |
| 22.. | 539 13 18-59..... | 2 | TRUNION, PITCH | 49.. | 539 10 65-04..... | 2 | WASHER, HEAVY |
| 23.. | 532 13 39-57..... | 2 | WHEEL, GAUGE | 50.. | 539 99 06-92..... | 11 | WASHER 5/16 STD FLT |
| 24.. | 539 97 69-98..... | 1 | ZERK | 51.. | 539 10 96-00..... | 8 | WASHER 5/16 SPRING |
| 25.. | 539 99 03-65..... | 2 | PIN 1/8 x 3/4 COTTER | 52.. | 539 10 22-43..... | 1 | WASHER, SUPPORT |
| 26.. | 539 13 09-20..... | 1 | REINFORCEMENT, BRKT | 53.. | 539 99 05-50..... | 1 | WASHER 1/2 STD FLT |
| 27.. | 532 18 72-91..... | 3 | SHAFT | 54.. | 532 18 76-90..... | 3 | WASHER-SPACER |

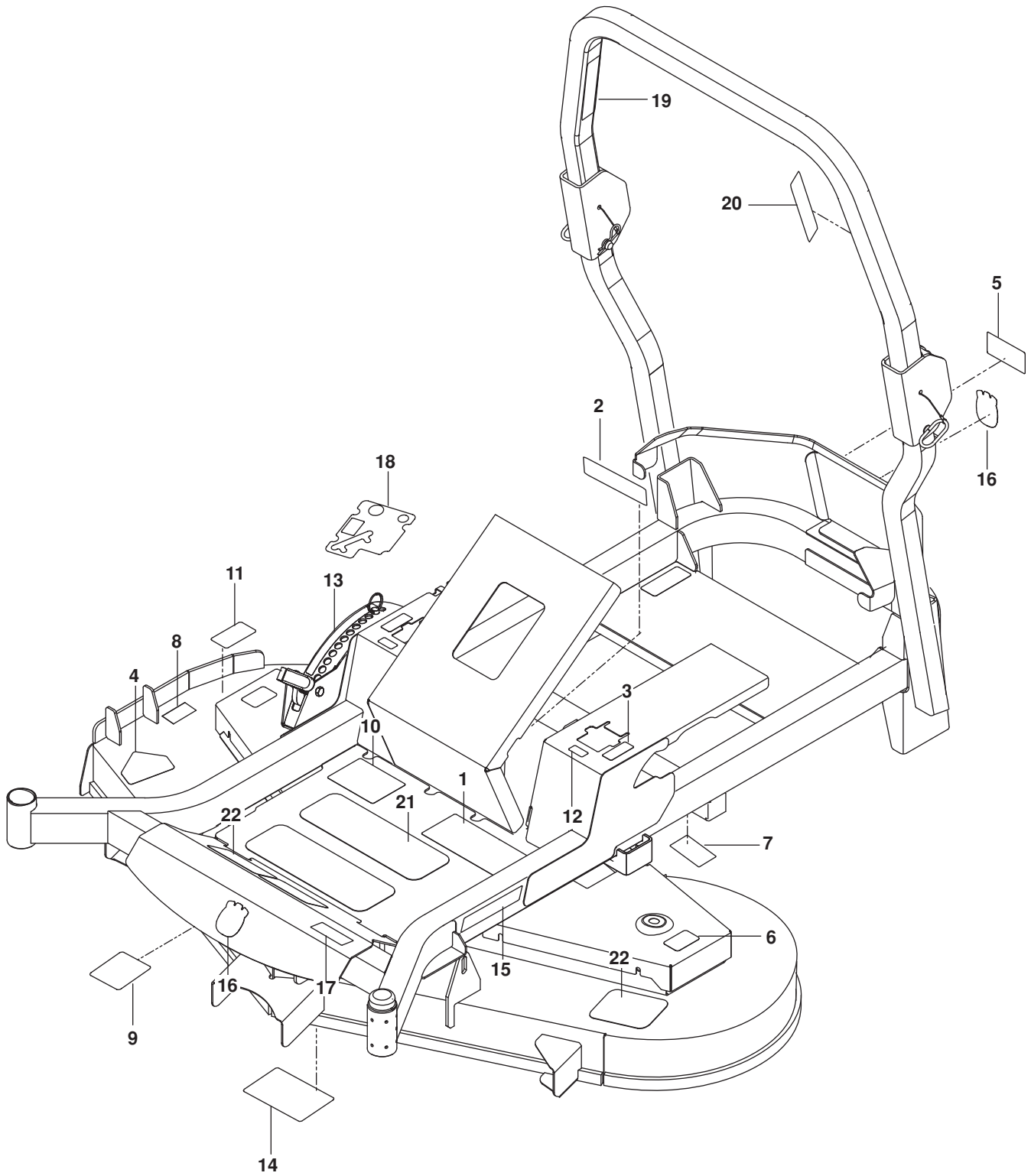
SEAT



SEAT

| ITEM | PART NO. | QTY. | DESCRIPTION | ITEM | PART NO. | QTY. | DESCRIPTION |
|------|-------------------|---------|---|------|-------------------|----------|---|
| 1.. | 576 70 20-01..... | 1 | SEAT | 16.. | 874 49 05-60..... | 2 | BOLT $\frac{5}{16}$ -18 x $3\frac{3}{4}$ HEX FLG HD |
| 2.. | 575 60 86-01..... | 1 | MOUNT, w/ SAFETY DECAL | 17.. | 872 14 06-08..... | 3 | BOLT $\frac{3}{8}$ -16 x 1 RD HD SQNK |
| 3.. | 584 91 68-02..... | 2 | MOUNT, SEAT BELT | 18.. | 872 11 04-06..... | 1 | BOLT $\frac{1}{4}$ -20 x $\frac{3}{4}$ RD HD SQNK |
| 4.. | 576 70 20-04..... | 1 | ASSY, ADJUSTMENT TRACK | 19.. | 539 13 08-96..... | 2 | BOLT $\frac{5}{16}$ -18 SHOULDER |
| 5.. | 539 13 07-93..... | 1 | DECK STOP | 20.. | 539 12 47-75..... | 2 | BOLT $\frac{7}{16}$ -20 x 1 HEX HD |
| 6.. | 539 11 97-41..... | 1 | SWITCH, SEAT | 21.. | 539 99 03-94..... | 2 | NUT $\frac{7}{16}$ -20 HEX LK |
| 7.. | 539 13 16-56..... | 1 | SUPPORT, SEAT BLK | 22.. | 873 80 05-00..... | 2 | NUT $\frac{5}{16}$ -18 HEX NYLOC |
| 8.. | 575 22 40-02..... | 1 | SUPPORT, RT BLK | 23.. | 873 80 04-00..... | 1 | NUT $\frac{1}{4}$ -20 HEX NYLOC |
| 9.. | 575 22 41-02..... | 1 | SUPPORT, LT BLK | 24.. | 521 99 65-01..... | 1 | NUT $\frac{3}{8}$ -16 HEX FLG NYLOC |
| 10.. | 532 12 41-81..... | 2 | SPRING, SEAT BLK | 25.. | 539 11 28-99..... | 10 | NUT $\frac{5}{16}$ -18 HEX FLG NYLOC |
| 11.. | 539 10 59-74..... | 1 | GROMMET RUBBER | 26.. | 873 80 06-00..... | 2 | NUT $\frac{3}{8}$ -16 HEX NYLOC |
| 12.. | 539 10 32-47..... | 1 | LANYARD, SEAT | 27.. | 819 09 12-16..... | 1 | WASHER $\frac{1}{4}$ FLT |
| 13.. | 539 13 03-59..... | 1 | SEAT BELT ASSY | 28.. | 819 14 16-14..... | 4 | WASHER $\frac{3}{8}$ FLT STD |
| 14.. | 525 46 47-01..... | 2 | BOLT $\frac{5}{16}$ -18 x $\frac{3}{4}$ HEX FLG HD | 29.. | 539 10 47-63..... | 8 | RETAINER, U TYPE $\frac{5}{16}$ -18 |
| 15.. | 525 54 40-01..... | 4 | BOLT $\frac{5}{16}$ -18 x $1\frac{1}{4}$ HEX FLG HD | 30.. | 505 28 00-01..... | 2 | TIE WRAP w/ CLIP |

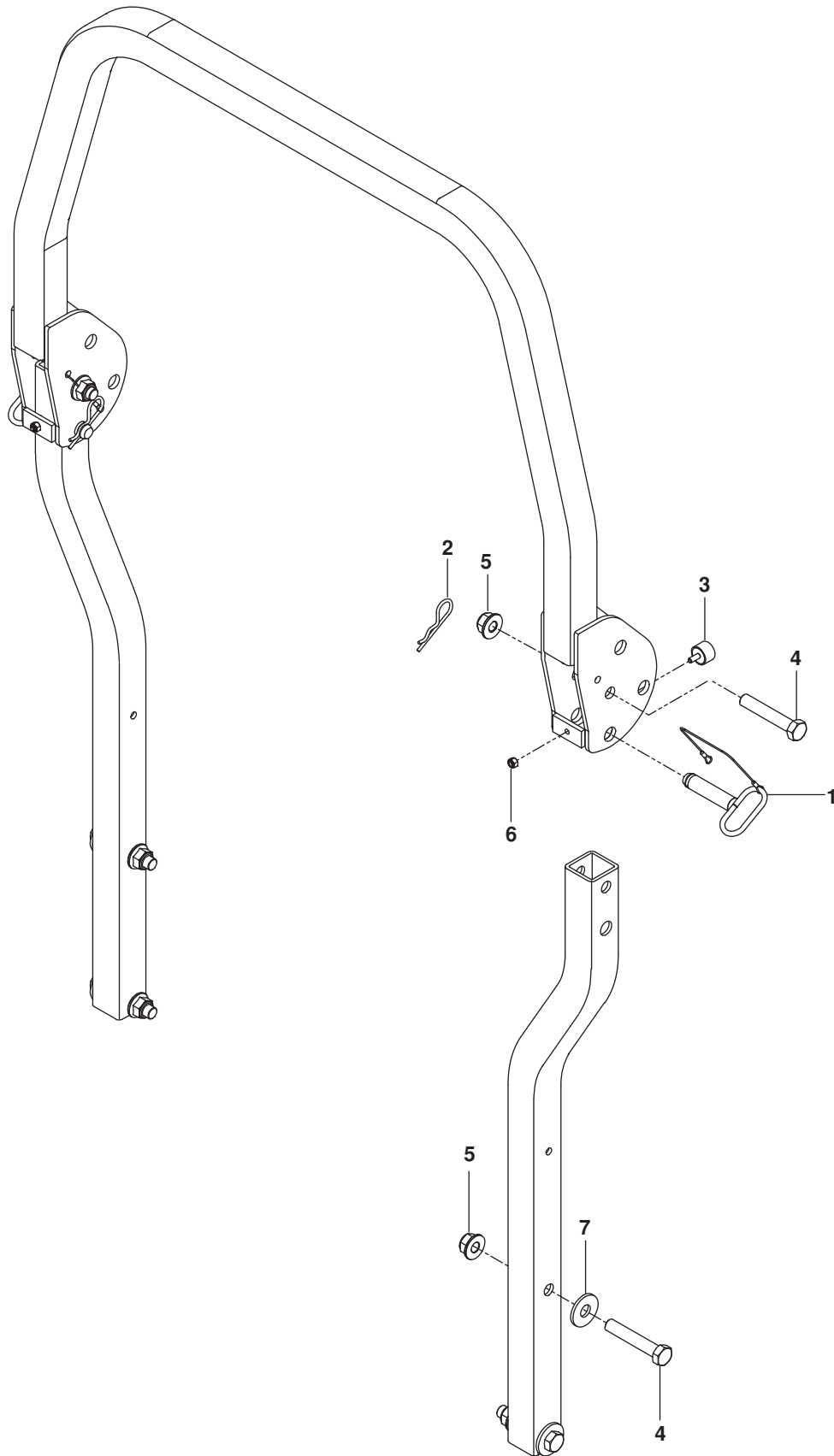
DECALS



DECALS

| ITEM | PART NO. | QTY. | DESCRIPTION | ITEM | PART NO. | QTY. | DESCRIPTION |
|------|-------------------|---------|-------------------------|------|-------------------|---------|----------------------|
| 1.. | 539 10 79-59..... | 1 | DECAL, WARNING | 12.. | 539 11 09-74..... | 2 | DECAL, TRACKING |
| 2.. | 539 10 57-45..... | 1 | DECAL, BATTERY WARNING | 13.. | 539 13 20-39..... | 1 | DECAL, HEIGHT ADJUST |
| 3.. | 539 10 33-33..... | 2 | DECAL, MOTION CONTROL | 14.. | 539 13 21-87..... | 1 | DECAL, SERVICE |
| 4.. | 584 90 46-01..... | 1 | DECAL, BLADE WARNING | 15.. | 532 42 91-96..... | 2 | DECAL, HUSQVARNA |
| 5.. | 539 10 57-44..... | 1 | DECAL, DANGER BLT DRIVE | 16.. | 532 42 86-76..... | 2 | DECAL, CROWN H |
| 6.. | 581 72 43-01..... | 2 | DECAL, NO STEP | 17.. | 581 51 37-01..... | 1 | DECAL, M-ZT 61 |
| 7.. | 574 81 55-01..... | 1 | DECAL, HYDROGEAR | 18.. | 574 84 11-03..... | 1 | DECAL, CONSOLE |
| 8.. | 539 10 57-46..... | 1 | DECAL, SEVERING | 19.. | 574 56 90-02..... | 1 | DECAL, ROPS, WARNING |
| 9.. | 539 11 26-20..... | 1 | DECAL, BELT ROUTING | 20.. | 574 56 90-05..... | 1 | DECAL.ROPS |
| 10.. | 586 34 25-01..... | 1 | DECAL, START | 21.. | 539 97 77-78..... | 2 | PAD, ABRASIVE LG |
| 11.. | 581 72 44-01..... | 1 | DECAL, DEFLECTOR | 22.. | 539 12 13-22..... | 3 | PAD, ABRASIVE SM |

PROTECTION FRAME



PROTECTION FRAME

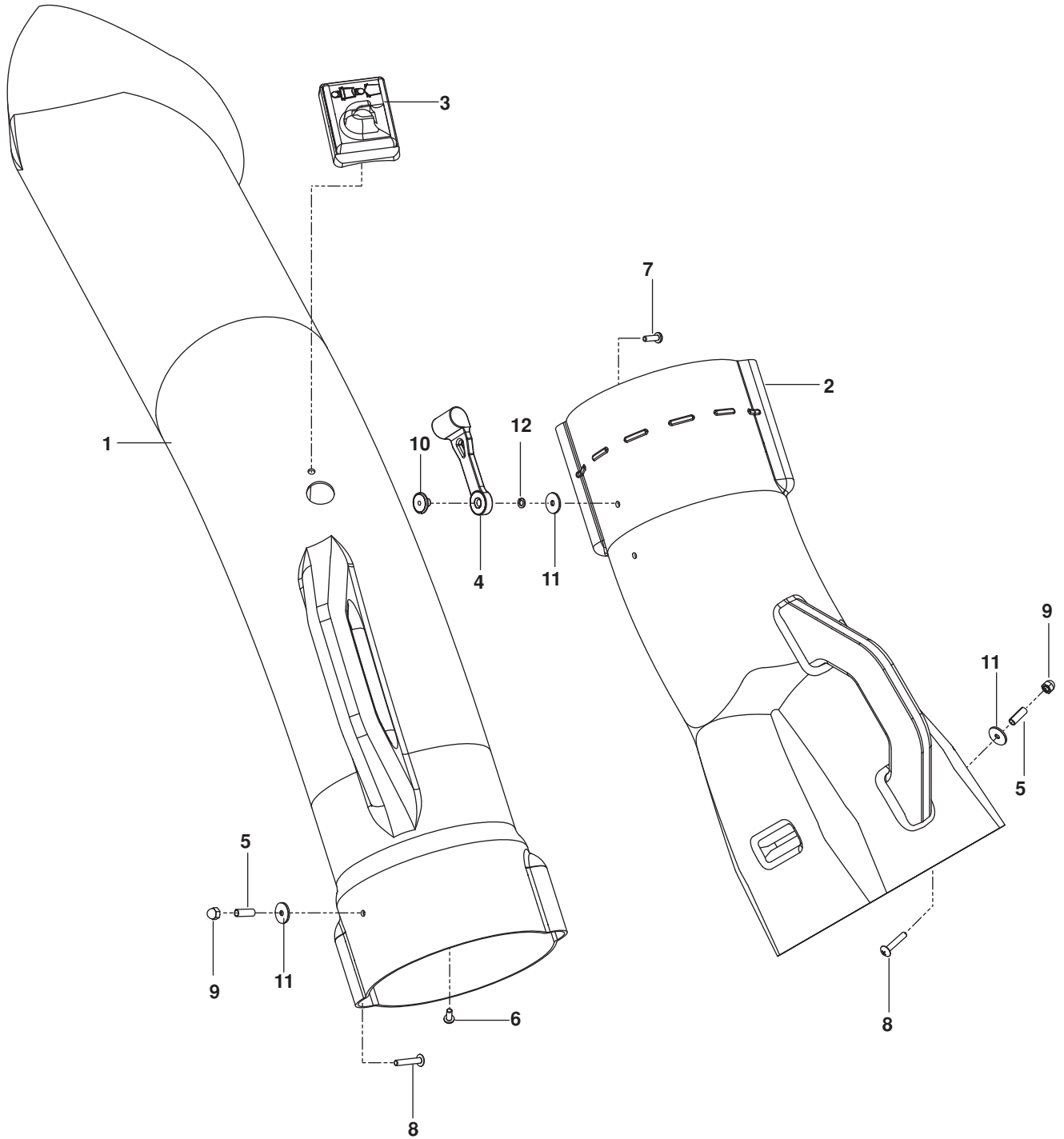
| ITEM | PART NO. | QTY. | DESCRIPTION | ITEM | PART NO. | QTY. | DESCRIPTION |
|------|-------------------|--------|--|------|-------------------|--------|---------------------------------|
| 1.. | 574 38 80-01..... | 2..... | PIN w/ CABLE | 5.. | 525 82 91-01..... | 6..... | NUT $\frac{5}{8}$ -11 FLG NYLOC |
| 2.. | 539 20 07-15..... | 2..... | HAIR PIN #210 | 6.. | 873 80 04-00..... | 2..... | NUT $\frac{1}{4}$ -20 HEX NYLOC |
| 3.. | 522 80 14-01..... | 2..... | BUMPER, MALE STUD $\frac{1}{4}$ -20 | 7.. | 539 10 26-53..... | 4..... | WASHER $\frac{5}{8}$ STD FLT |
| 4.. | 580 75 46-01..... | 6..... | BOLT $\frac{5}{8}$ -11 x $3\frac{1}{2}$ HEX HD | | | | |

ACCESSORIES

| ITEM | PART NO. | QTY. | DESCRIPTION | ITEM | PART NO. | QTY. | DESCRIPTION |
|------|-------------------|------|------------------------------------|------|-------------------|------|--|
| 1.. | 539 13 03-44..... | 1 | HOUSING w/DECALS | 34.. | 522 90 96-02..... | 1 | BRACKET, MOUNT |
| 2.. | 539 13 02-93..... | 1 | COVER, BELT | 35.. | 522 90 95-02..... | 1 | BRACKET, RETENTION |
| 3.. | 574 41 15-01..... | 1 | COVER, BELT | 36.. | 525 61 83-02..... | 1 | SAND LINER, TOP |
| 4.. | 539 13 02-92..... | 1 | IMPELLER | 37.. | 522 90 97-02..... | 1 | SAND LINER, BOTTOM |
| 5.. | 539 13 02-95..... | 1 | HUB | 38.. | 539 99 06-45..... | 1 | BOLT $\frac{3}{8}$ -16 x 1 RD HD SQNK |
| 6.. | 539 11 36-83..... | 1 | PULLEY, V-IDLER | 39.. | 539 99 03-16..... | 6 | BOLT $\frac{5}{16}$ -18 x $\frac{3}{4}$ RD HD SQNK |
| 7.. | 539 13 03-24..... | 1 | PULLEY | 40.. | 539 99 02-08..... | 6 | BOLT $\frac{5}{16}$ -18 x 1 RD HD SQNK |
| 8.. | 579 15 08-02..... | 1 | PULLEY, IDLER | 41.. | 539 97 69-49..... | 1 | BOLT $\frac{3}{8}$ -16 x 1 $\frac{1}{4}$ HEX HD |
| 9.. | 579 13 74-02..... | 1 | MOUNT, UPPER BLK | 42.. | 539 10 17-21..... | 4 | BOLT $\frac{5}{16}$ -18 x 2 $\frac{3}{4}$ HEX HD |
| 10.. | 579 13 75-02..... | 1 | MOUNT, LOWER BLK | 43.. | 539 99 06-43..... | 1 | BOLT $\frac{1}{4}$ -20 x $\frac{7}{8}$ HEX HD |
| 11.. | 579 13 73-02..... | 1 | ARM, IDLER | 44.. | 539 99 02-09..... | 1 | BOLT $\frac{5}{16}$ -18 x 1 HEX HD |
| 12.. | 539 13 03-38..... | 1 | ARM, TENSION | 45.. | 539 99 06-55..... | 1 | BOLT $\frac{3}{8}$ -16 x 1 $\frac{1}{2}$ HEX HD |
| 13.. | 539 13 03-01..... | 2 | BUSHING | 46.. | 539 13 03-15..... | 6 | BOLT $\frac{5}{16}$ -18 x $\frac{1}{2}$ HEX HD |
| 14.. | 539 13 21-24..... | 1 | PLATE, BACKING | 47.. | 539 10 84-61..... | 3 | BOLT $\frac{1}{4}$ -20 x $\frac{1}{2}$ HWST |
| 15.. | 539 13 03-41..... | 1 | PLATE, OUTER | 48.. | 539 11 03-21..... | 2 | BOLT $\frac{3}{8}$ -24 x 1 $\frac{1}{4}$ HEX GR 8 |
| 16.. | 539 10 44-11..... | 1 | KNOB w/ STUD | 49.. | 539 99 03-02..... | 8 | SCREW $\frac{1}{4}$ -20 x $\frac{3}{8}$ THD FRM |
| 17.. | 539 13 03-23..... | 1 | SPACER | 50.. | 539 97 69-52..... | 1 | SCREW #10-24 x $\frac{5}{8}$ MACH |
| 18.. | 522 90 98-01..... | 1 | PIN, RETENTION | 51.. | 539 13 03-13..... | 6 | NUT $\frac{5}{16}$ -18 TEE |
| 19.. | 539 10 80-88..... | 1 | LATCH, HOOD | 52.. | 539 13 03-14..... | 9 | NUT $\frac{1}{4}$ -20 TEE |
| 20.. | 539 11 56-67..... | 1 | KEY $\frac{3}{16}$ x $\frac{1}{2}$ | 53.. | 539 10 80-89..... | 1 | WELDNUT, PLATED |
| 21.. | 539 12 52-29..... | 1 | KEY 1 $\frac{1}{2}$ | 54.. | 539 10 81-20..... | 1 | NUT $\frac{1}{4}$ -20 HEX THIN NYLOC |
| 22.. | 539 10 47-63..... | 1 | RETAINER, U TYPE | 55.. | 539 10 87-35..... | 1 | NUT $\frac{1}{4}$ -20 HEX FLG LK |
| 23.. | 539 13 03-16..... | 1 | SHAFT, IMPELLER | 56.. | 539 20 02-82..... | 3 | NUT $\frac{3}{8}$ -16 HEX JAM NYLOC |
| 24.. | 539 97 69-88..... | 1 | HAIRPIN COTTER | 57.. | 539 11 28-99..... | 10 | NUT $\frac{5}{16}$ -18 HEX FLG NYLOC |
| 25.. | 539 13 03-49..... | 1 | DECAL, BELT ROUTING | 58.. | 539 99 07-17..... | 9 | NUT $\frac{5}{16}$ -18 HEX NYLOC |
| 26.. | 539 10 57-85..... | 1 | DECAL, WARNING | 59.. | 539 99 01-18..... | 2 | WASHER $\frac{3}{8}$ SLW |
| 27.. | 539 10 67-41..... | 1 | DECAL, SEVERING | 60.. | 532 14 02-96..... | 2 | WASHER, HARDENED |
| 28.. | 539 10 19-77..... | 1 | SPRING, TRACTION | 61.. | 539 10 80-84..... | 1 | WASHER $\frac{3}{16}$ x $\frac{3}{4}$ x 16 GA |
| 29.. | 522 90 94-02..... | 1 | TUBE, RUB | 62.. | 539 10 95-52..... | 1 | WASHER $\frac{3}{16}$ SLW |
| 30.. | 579 13 76-02..... | 1 | KEEPER, BELT REAR BLK | 63.. | 539 99 01-22..... | 3 | WASHER $\frac{3}{8}$ SAE FLT |
| 31.. | 539 13 10-85..... | 1 | KEEPER, BELT OUTER BLK | 64.. | 539 99 00-55..... | 4 | WASHER $\frac{1}{4}$ FLT SAE |
| 32.. | 579 13 77-02..... | 1 | KEEPER | 65.. | 819 11 11-16..... | 10 | WASHER $\frac{5}{16}$ SAE FLT |
| 33.. | 539 13 02-96..... | 2 | BEARING | | | | |

ACCESSORIES

CHUTES

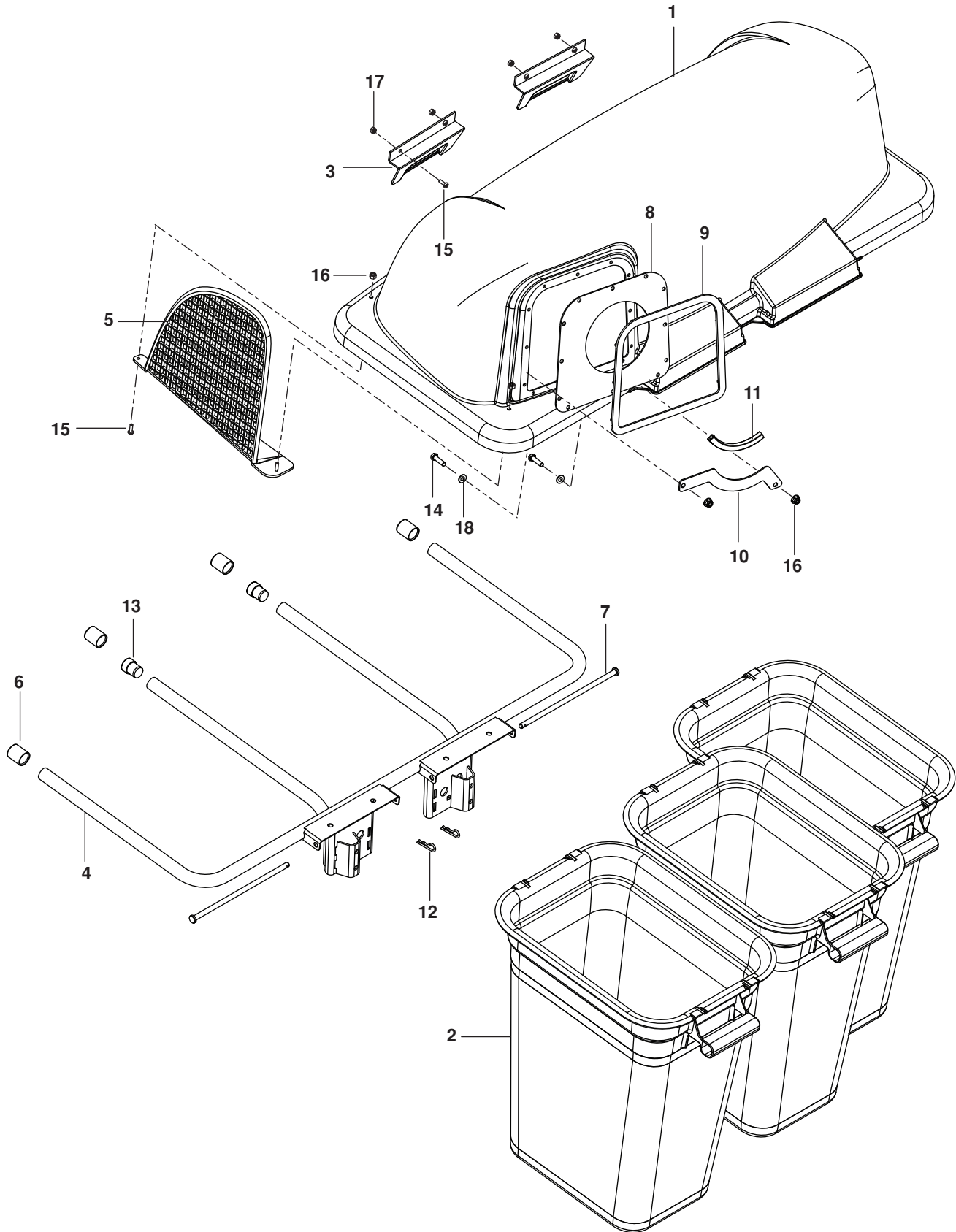


ACCESSORIES

| ITEM | PART NO. | QTY. | DESCRIPTION | ITEM | PART NO. | QTY. | DESCRIPTION |
|------|-------------------|---------|------------------------------|------|-------------------|---------|---|
| 1.. | 539 10 81-41..... | 1 | CHUTE, UPPER | 7.. | 539 97 69-52..... | 1 | SCREW #10-24 x $\frac{5}{8}$ |
| 2.. | 539 13 02-94..... | 1 | CHUTE, MIDDLE | 8.. | 539 10 80-83..... | 2 | SCREW #10-24 x $1\frac{1}{8}$ |
| 3.. | 539 13 09-33..... | 1 | INDICATOR, BAG DUMP | 9.. | 539 10 80-86..... | 2 | NUT #10-24 ACORN |
| 4.. | 539 10 80-88..... | 1 | LATCH, HOOD | 10.. | 539 10 80-89..... | 1 | WELDNUT, PLATED |
| 5.. | 539 10 80-85..... | 2 | SPACER, SPLIT | 11.. | 539 10 80-84..... | 3 | WASHER $\frac{3}{16}$ x $\frac{3}{4}$ x 16 GA |
| 6.. | 539 10 80-81..... | 1 | SCREW #10-14 x $\frac{1}{2}$ | 12.. | 539 10 95-52..... | 2 | WASHER $\frac{3}{16}$ LOCK |

ACCESSORIES

BAGGER

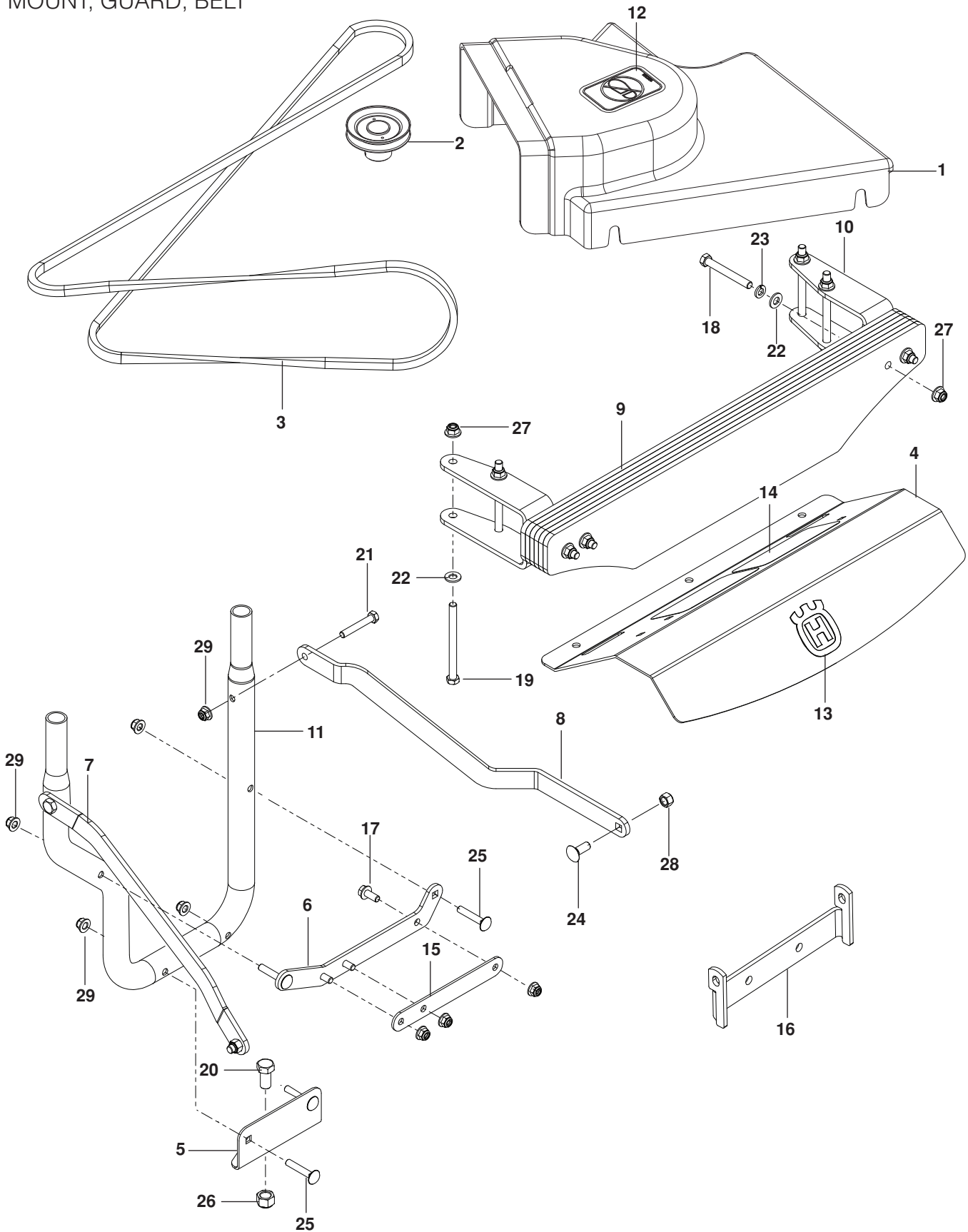


ACCESSORIES

| ITEM | PART NO. | QTY. | DESCRIPTION | ITEM | PART NO. | QTY. | DESCRIPTION |
|------|-------------------|---------|----------------------|------|-------------------|---------|---|
| 1.. | 532 19 53-73..... | 1 | COVER | 10.. | 539 11 02-81..... | 1 | SUPPORT, CHUTE |
| 2.. | 532 40 02-26..... | 3 | CONTAINER, SOFT BAG | 11.. | 539 11 22-94..... | 1 | FLEX TRIM |
| 3.. | 532 13 08-95..... | 2 | HANDLE, BAGGER COVER | 12.. | 539 10 80-96..... | 2 | HAIR PIN |
| 4.. | 532 17 69-90..... | 1 | FRAME, BAGGER | 13.. | 522 80 13-01..... | 2 | PLUG |
| 5.. | 532 19 27-09..... | 1 | SCREEN, COVER | 14.. | 539 99 06-27..... | 2 | BOLT $\frac{5}{16}$ -18 x $1\frac{1}{4}$ HEX HD |
| 6.. | 532 17 40-83..... | 2 | PLUG, SPACER | 15.. | 539 97 69-52..... | 6 | SCREW #10-24 x $\frac{5}{8}$ |
| 7.. | 532 19 27-86..... | 2 | PIN, HINGE | 16.. | 539 11 28-99..... | 2 | NUT $\frac{5}{16}$ -18 HEX FLG NYLOC |
| 8.. | 532 19 25-50..... | 1 | SEAL, COVER | 17.. | 539 97 69-77..... | 6 | NUT #10-24 CROWNLOCK |
| 9.. | 532 19 26-03..... | 1 | GASKET, COVER | 18.. | 819 11 11-16..... | 4 | WASHER $\frac{5}{16}$ SAE FLT |

ACCESSORIES

MOUNT, GUARD, BELT

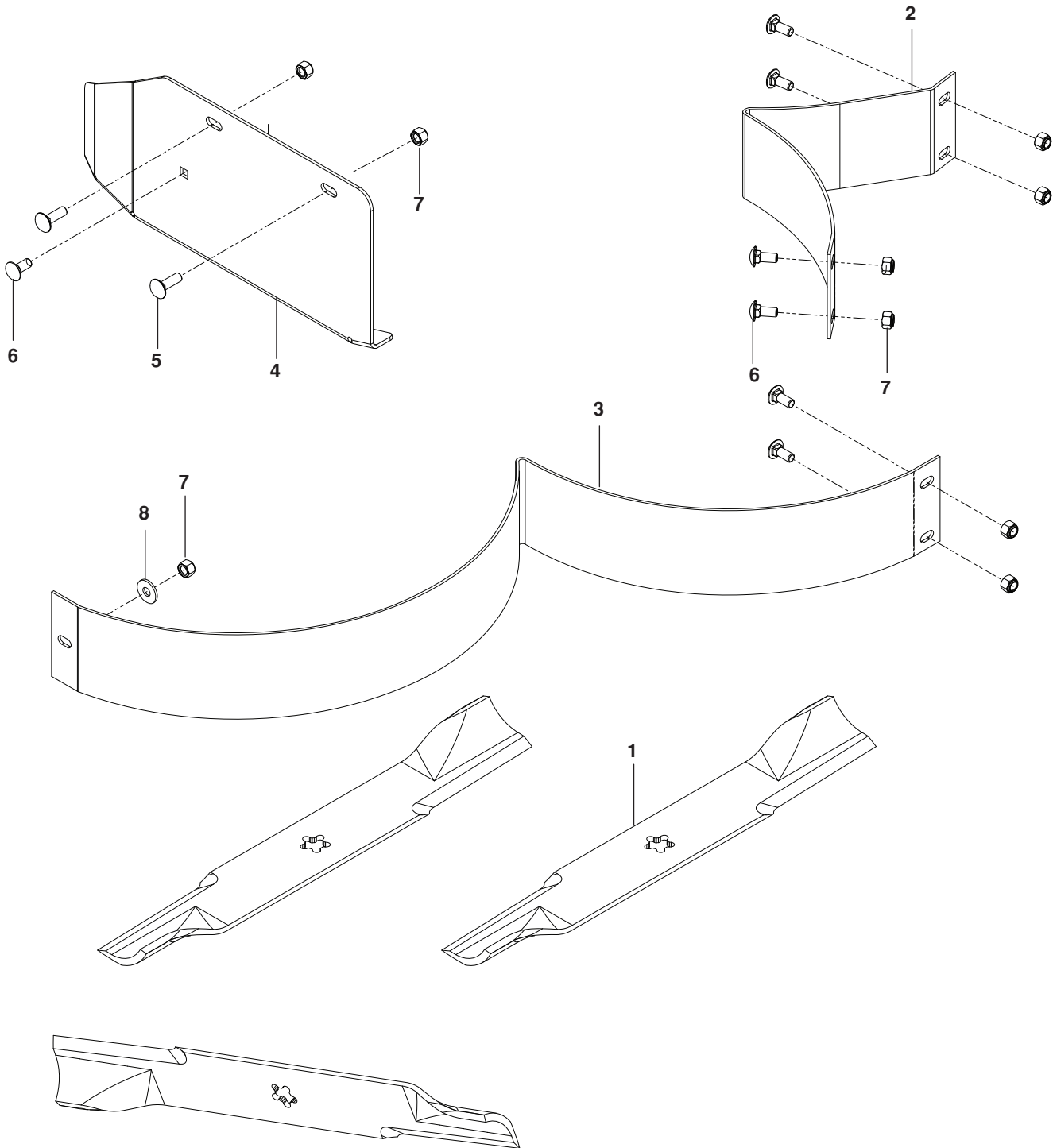


ACCESSORIES

| ITEM | PART NO. | QTY. | DESCRIPTION | ITEM | PART NO. | QTY. | DESCRIPTION |
|------|--------------------|------|-------------------------|-----------|--------------------|------|--|
| 1.. | 539 13 03-08..... | 1 |SHIELD, BELT | 17.. | 525 46 47-01 | 3 |BOLT $\frac{5}{16}$ -18 x $\frac{3}{4}$ HEX FLG HD |
| 2.. | 539 13 03-21..... | 1 |PULLEY | 18.. | 539 10 13-41..... | 4 |BOLT $\frac{3}{8}$ -16 x 3 HEX HD |
| 3.. | 539 13 03-48..... | 1 |BELT | 19.. | 539 10 23-34..... | 4 |BOLT $\frac{3}{8}$ -16 x $4\frac{1}{2}$ HEX HD |
| 4.. | 584 81 20-02..... | 1 |FOOT REST | 20.. | 539 99 06-46..... | 1 |BOLT $\frac{1}{2}$ -13 x 1 HEX HD |
| 5.. | 539 13 21-92..... | 1 |MOUNT, HITCH | 21.. | 539 97 69-37 | 2 |BOLT $\frac{5}{16}$ -18 x 2 HEX HD |
| 6.. | 576 22 14-02..... | 1 |BRACKET, SUPPORT | 22.. | 539 99 01-22 | 8 |WASHER $\frac{3}{8}$ SAE FLT |
| 7.. | 539 13 21-98 | 1 |STRAP, RT BLK | 23.. | 539 99 01-18 | 4 |WASHER $\frac{3}{8}$ LK |
| 8.. | 575 95 33-02..... | 1 |STRAP, LT BLK | 24.. | 539 99 06-45..... | 2 |BOLT $\frac{3}{8}$ -16 x 1 RD HD SQNK |
| 9.. | 539 11 32-32..... | 6 |PLATE, WEIGHT | 25.. | 539 99 08-61..... | 4 |BOLT $\frac{5}{16}$ -18 x $1\frac{3}{4}$ RD HD SQNK |
| 10.. | 522 98 90-02..... | 2 |BRACKET, WEIGHT | 26.. | 539 10 13-31..... | 1 |NUT $\frac{1}{2}$ -13 HEX NYLOC |
| 11.. | 539 13 10-91 | 1 |TUBE, MOUNT | 27.. | 521 96 65-01..... | 8 |NUT $\frac{3}{8}$ -16 HEX FLG NYLOC |
| 12.. | 539 10 57-43..... | 1 |DECAL, NO STEP | 28.. | 539 976979..... | 2 |NUT $\frac{3}{8}$ -16 HEX NYLOC |
| 13.. | 532 42 86-76..... | 1 |DECAL, CROWN | 29.. | 539 11 28-99..... | 9 |NUT $\frac{5}{16}$ -18 HEX FLG NYLOC |
| 14.. | 539 12 13-22..... | 2 |ABRASIVE PAD | NOT SHOWN | | | |
| 15.. | 576 22 15-02..... | 1 |SPACER | | 539 11 02-90..... | 1 |BLOCK, FOAM |
| 16.. | 581 60 61-04..... | 1 |BRACKET, CHUTE BLK | | | | |

ACCESSORIES

MULCH KIT



ACCESSORIES

| ITEM | PART NO. | QTY. | DESCRIPTION |
|------|-------------------|--------|------------------|
| 1.. | 521 98 16-01..... | 3..... | BLADE, 21" GATOR |
| 2.. | 539 11 33-13..... | 1..... | BAFFLE, LEFT |
| 3.. | 539 11 33-15..... | 1..... | BAFFLE, RIGHT |
| 4.. | 539 11 33-27..... | 1..... | MULCH CAP |

| ITEM | PART NO. | QTY. | DESCRIPTION |
|------|-------------------|--------|--|
| 5.. | 539 99 02-08..... | 2..... | BOLT $\frac{5}{16}$ -18 x 1 RD HD SQNK |
| 6.. | 539 99 03-16..... | 7..... | BOLT $\frac{5}{16}$ -18 x $\frac{3}{4}$ RD HD SQNK |
| 7.. | 539 99 07-17..... | 9..... | NUT $\frac{5}{16}$ -18 NYLOC |
| 8.. | 539 99 06-92..... | 1..... | WASHER $\frac{5}{16}$ |

www.husqvarna.com

115 71 67-27 Rev A
2014-10-15