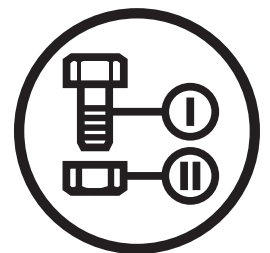




Parts Manual

P-ZT 54

Zero Turn Mower / 966613402-02



Please read the operator manual carefully and make sure you understand the instructions before using the machine.

When you need spare parts or support in service questions, warranty issues, etc., please consult the following professional:

| | | |
|---|--------|--------------|
| | | |
| This manual belongs to the machine with the manufacturing number: | Engine | Transmission |

Manufacturing Number

The machine's manufacturing number can be found on the printed plate affixed to the engine compartment.

Stated on the plate, from the top are:

- The machine's type designation (I.D.).
- The manufacturer's type number (Model).
- The machine's serial number (Serial no.)

Please have the type designation and serial number available when ordering spare parts.

The engine's manufacturing number is stamped on one of the valve covers.

The plate states:

- The engine's model.
- The engine's type.
- Code

Please have these available when ordering spare parts.

The wheel motors and hydrostatic pumps have a barcode decal affixed at the rear.

Accessories Available

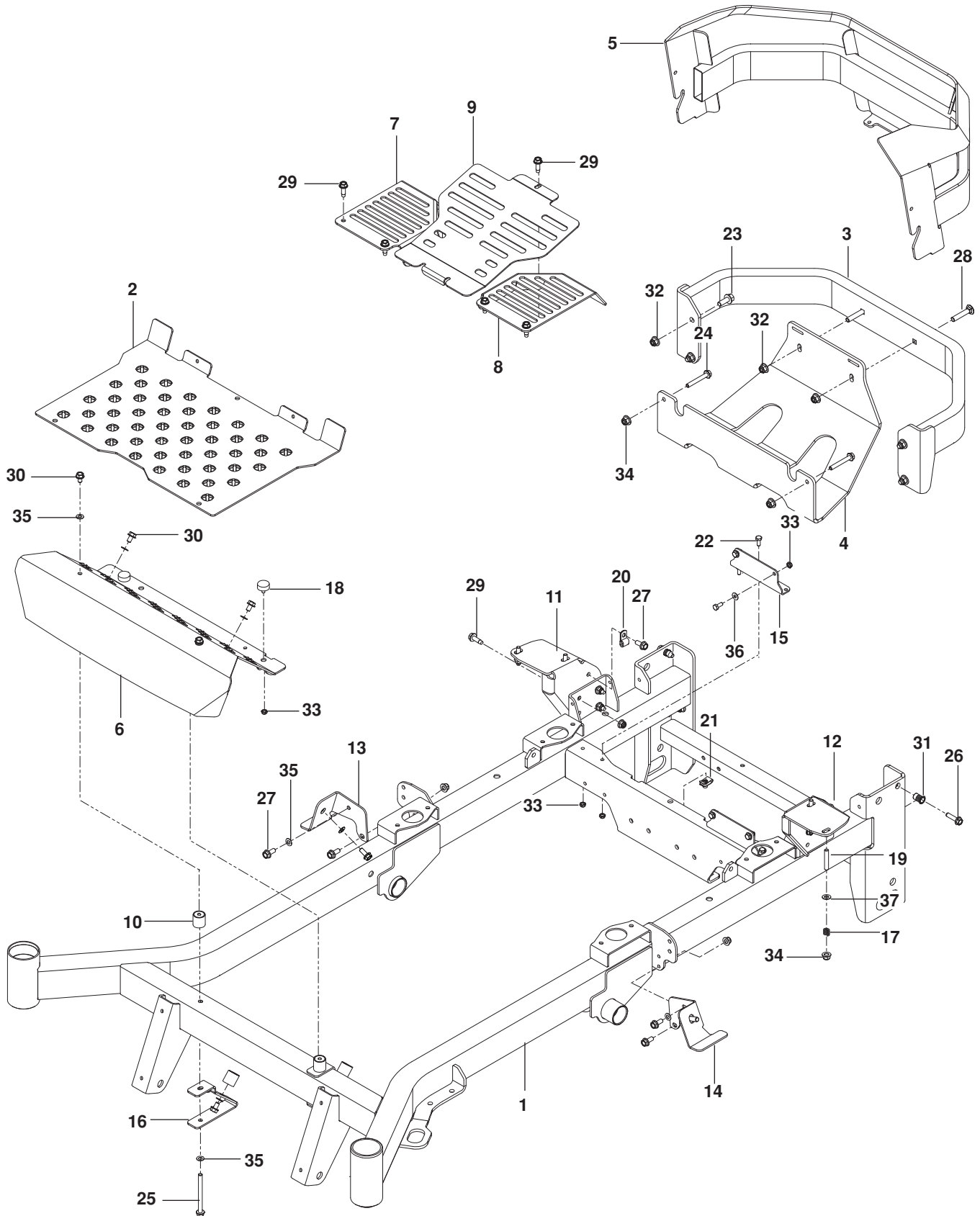
| | |
|-----------------------------|--------------|
| DFS Collection System | 967 32 25-01 |
| Drive Kit for DFS | 966 40 71-01 |
| Mulch Kit..... | 966 05 04-01 |

CONTENTS

| | |
|--------------------------------|----|
| FRAME..... | 4 |
| ENGINE PLATE..... | 6 |
| STEERING | 8 |
| IGNITION..... | 10 |
| PARKING BRAKE | 12 |
| HYDRAULIC PUMP-MOTOR..... | 14 |
| HYDRAULIC FRAME | 16 |
| WHEELS | 18 |
| MOWER LIFT / DECK LIFT | 20 |
| MOWER DECK / CUTTING DECK..... | 22 |
| SEAT | 24 |
| DECALS..... | 26 |
| PROTECTION FRAME..... | 28 |
| ACCESSORIES | |
| BLOWER..... | 30 |
| CLAMSHELL REAR | 32 |
| CLAMSHELL FRONT..... | 34 |
| WEIGHTS, GUARDS, BLADES..... | 36 |
| MULCH KIT | 38 |

NOTE: ALL FASTENERS ARE GRADE 5 UNLESS OTHERWISE SPECIFIED.

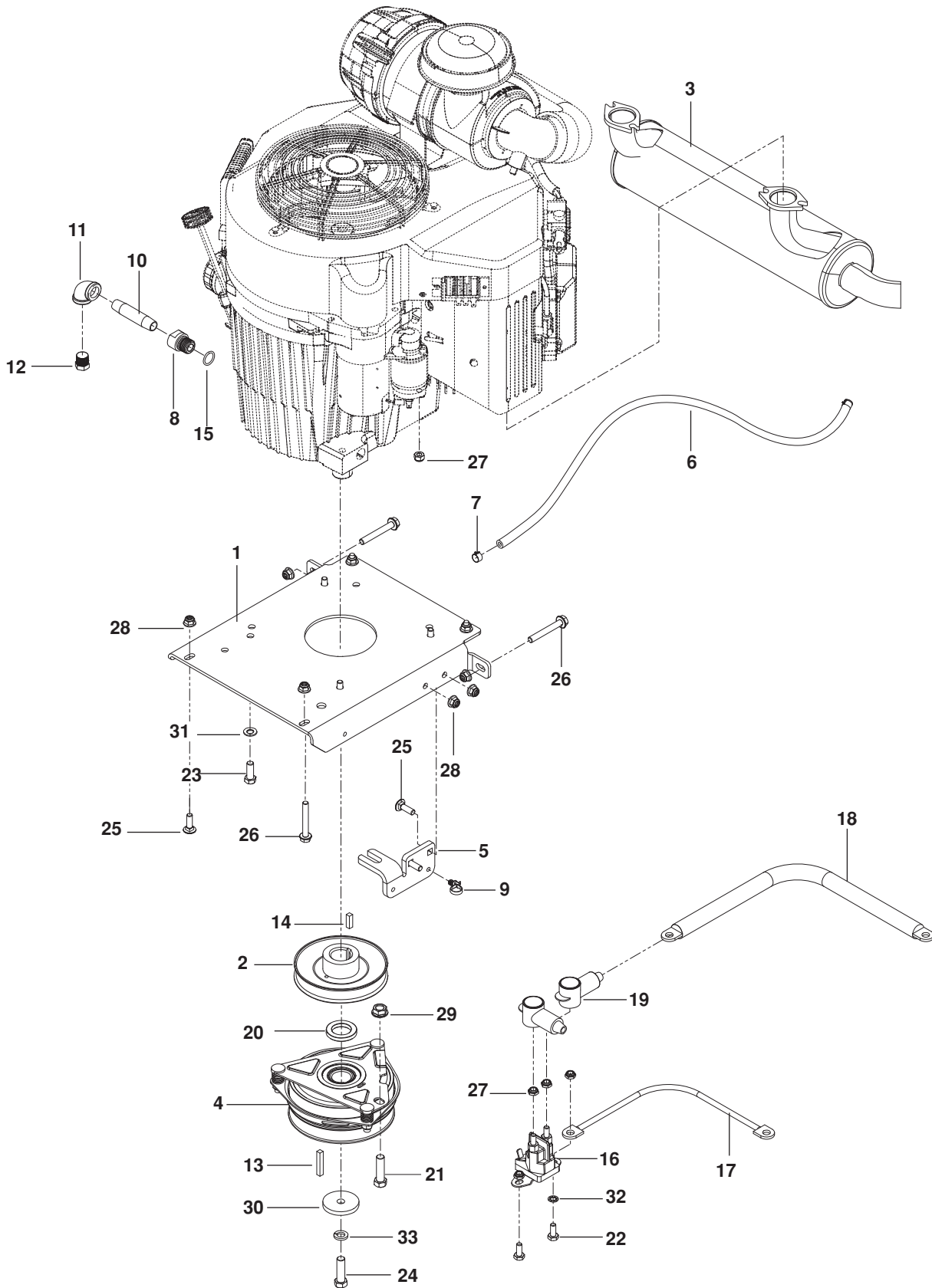
FRAME



FRAME

| ITEM | PART NO. | QTY. | DESCRIPTION | ITEM | PART NO. | QTY. | DESCRIPTION |
|------|-------------------|------|--------------------------|------|-------------------|------|---------------------------------|
| 1.. | 574 48 28-01..... | 1 | FRAME w/ SFTY DECAL ORG | 20.. | 539 10 98-67..... | 1 | CLAMP, DOUBLE TUBE |
| 2.. | 576 70 13-02..... | 1 | FLOOR PAN ORG | 21.. | 539 10 47-63..... | 1 | RETAINER, U TYPE |
| 3.. | 522 73 89-02..... | 1 | BUMPER, REAR ORG | 22.. | 874 78 04-12..... | 8 | BOLT 1/4-20 X 5/8 HEX HD |
| 4.. | 576 70 14-02..... | 1 | PLATE, SKID GRY | 23.. | 525 61 28-01..... | 4 | BOLT 3/8-16 x 1 HEX FLG HD |
| 5.. | 584 85 93-02..... | 1 | GUARD, REAR GRY | 24.. | 574 23 38-01..... | 2 | BOLT 5/16-18 x 2 1/4 HEX FLG HD |
| 6.. | 574 21 57-02..... | 1 | FOOTREST ORG | 25.. | 539 13 17-80..... | 2 | BOLT 5/16-18 x 3 3/4 HEX FLG HD |
| 7.. | 576 70 15-02..... | 1 | COVER, FAN RT BLK | 26.. | 525 54 40-01..... | 2 | BOLT 5/16-18 x 1 1/4 TPBLT |
| 8.. | 576 70 16-02..... | 1 | COVER, FAN LT BLK | 27.. | 874 49 05-12..... | 7 | BOLT 5/16-18 x 3/4 HEX FLG HD |
| 9.. | 576 70 17-02..... | 1 | COVER, CENTER BLK | 28.. | 539 10 01-45..... | 2 | BOLT 3/8-16 x 2 RD HD SQNK |
| 10.. | 510 08 32-01..... | 4 | MOUNT, F/F INSERT | 29.. | 539 11 32-26..... | 11 | BOLT 5/16-18 x 1 THD FRM |
| 11.. | 529 27 96-03..... | 1 | MOUNT, TANK RT RR | 30.. | 539 99 08-58..... | 6 | SCREW 5/16-18 x 1/2 SLF TAP |
| 12.. | 529 27 97-03..... | 1 | MOUNT, TANK LT RR | 31.. | 539 11 10-28..... | 2 | NUTSERT 5/16-18 |
| 13.. | 529 27 99-03..... | 1 | MOUNT, TANK RT FRT | 32.. | 521 99 65-01..... | 2 | NUT 3/8-16 HEX FLG NYLOC |
| 14.. | 529 28 00-03..... | 1 | MOUNT, TANK LT FRT | 33.. | 539 10 81-20..... | 10 | NUT 1/4-20 HEX THIN NYLOC |
| 15.. | 576 45 36-02..... | 2 | MOUNT, TANK BLK | 34.. | 539 11 28-99..... | 14 | NUT 5/16-18 HEX FLG NYLOC |
| 16.. | 510 04 03-01..... | 2 | BRACKET, REST MOUNT | 35.. | 539 10 96-00..... | 8 | WASHER 5/16 DISC SPRING |
| 17.. | 539 10 28-45..... | 4 | SPRING, TANK MOUNT | 36.. | 539 99 00-55..... | 4 | WASHER 1/4 SAE FLAT |
| 18.. | 575 81 15-01..... | 2 | BUMPER, 1/4-20 STUD 3/8" | 37.. | 819 11 11-16..... | 4 | WASHER 5/16 SAE FLAT |
| 19.. | 539 10 25-02..... | 4 | STUD, FUEL TANK | | | | |

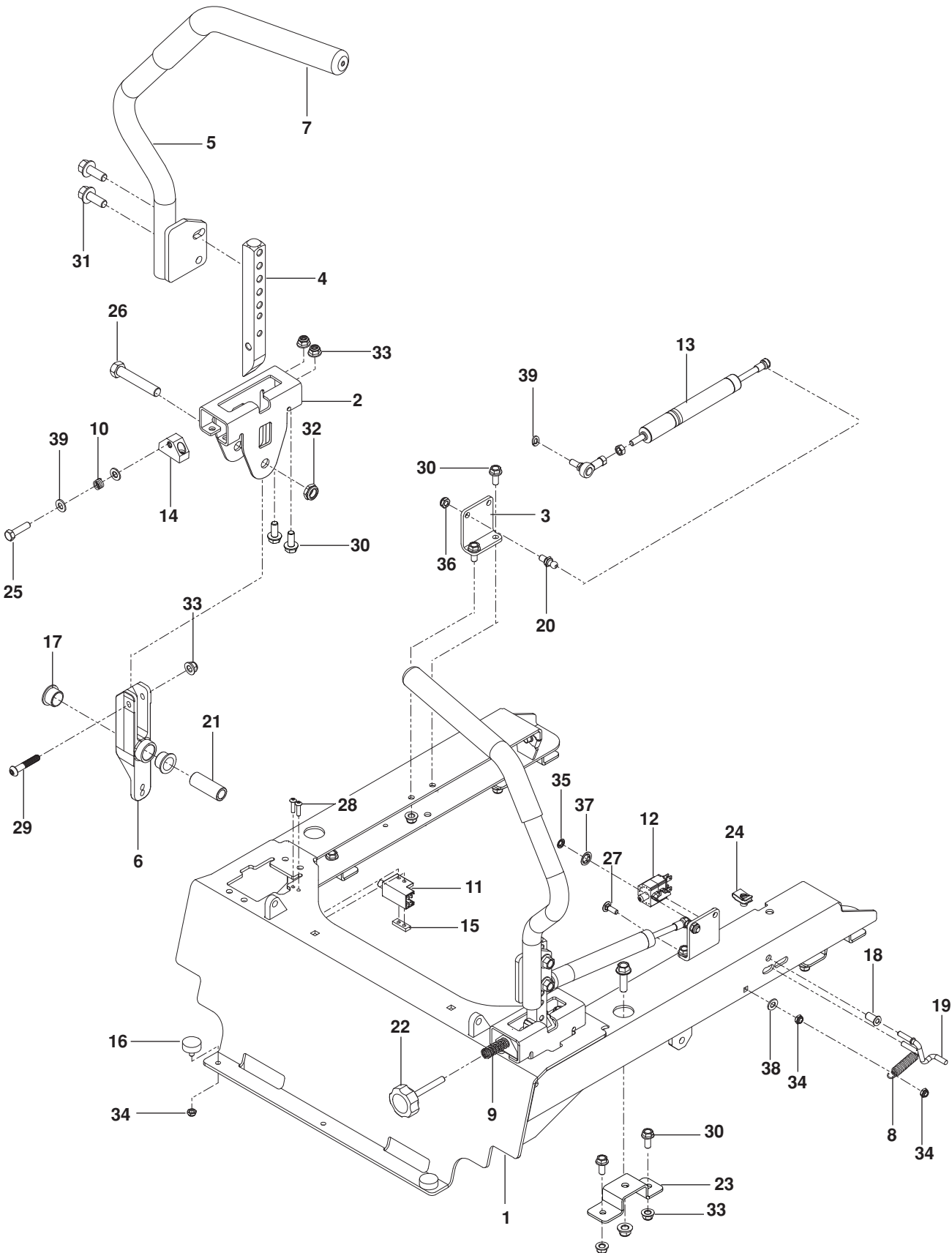
ENGINE PLATE



ENGINE PLATE

| ITEM | PART NO. | QTY. | DESCRIPTION | ITEM | PART NO. | QTY. | DESCRIPTION |
|------|-------------------|------|---|-------------------|-------------------|--|---|
| 1.. | 510 00 46-02..... | 1 | PLATE, ENGINE BLK | 20.. | 525 31 39-01..... | 1 | SPACER |
| 2.. | 510 01 98-01..... | 1 | PULLEY, ENGINE | 21.. | 539 10 48-67..... | 1 | BOLT ⁷ / ₁₆ -14 x 1 ¹ / ₄ HEX HD |
| 3.. | 525 75 02-01..... | 1 | MUFFLER | 22.. | 539 99 00-72..... | 2 | BOLT ¹ / ₄ -20 x ⁵ / ₈ HEX HD |
| 4.. | 539 11 34-37..... | 1 | CLUTCH, GT 3.5 | 23.. | 539 99 05-63..... | 4 | BOLT ³ / ₈ -16 x 1 HEX HD |
| 5.. | 522 67 67-02..... | 1 | STOP, CLUTCH | 24.. | 539 10 01-41..... | 1 | BOLT ⁷ / ₁₆ -20 x 1 ¹ / ₂ HEX HD |
| 6.. | 539 10 55-26..... | 1 | FUEL LINE 18" | 25.. | 539 99 02-08..... | 4 | BOLT ⁵ / ₁₆ -18 x 1 RD HD SQNK |
| 7.. | 539 91 22-22..... | 2 | CLAMP | 26.. | 574 23 38-01..... | 3 | BOLT ⁵ / ₁₆ -18 x 2 ¹ / ₄ HEX FLG |
| 8.. | 539 11 96-80..... | 1 | ADAPTOR, OIL DRAIN | 27.. | 539 10 81-20..... | 5 | NUT ¹ / ₄ -20 HEX THIN NYLOC |
| 9.. | 505 28 00-01..... | 1 | TIE WRAP w/ CLIP | 28.. | 539 11 28-99..... | 8 | NUT ⁵ / ₁₆ -18 HEX FLG NYLOC |
| 10.. | 539 11 89-11..... | 1 | PIPE ³ / ₈ NPT x 3" | 29.. | 539 10 25-82..... | 1 | NUT ⁷ / ₁₆ -14 HEX WHIZ LK |
| 11.. | 539 10 50-72..... | 1 | ELBOW 90° | 30.. | 539 12 56-26..... | 1 | WASHER, BLADE |
| 12.. | 522 83 70-01..... | 1 | PLUG ³ / ₈ NPTF DRAIN | 31.. | 539 10 25-93..... | 4 | WASHER ³ / ₈ SPRING |
| 13.. | 539 91 02-10..... | 1 | KEY ¹ / ₄ SQ x 2 | 32.. | 539 99 00-53..... | 1 | WASHER ¹ / ₄ INT TOOTH LK |
| 14.. | 539 10 53-08..... | 1 | KEY ¹ / ₄ SQ x 1 | 33.. | 539 99 02-47..... | 1 | WASHER ⁷ / ₁₆ SLW |
| 15.. | 539 10 96-18..... | 1 | O-RING | NOT SHOWN | | | |
| 16.. | 539 10 17-14..... | 1 | SOLENOID | 525 55 42-01..... | 1 | ENGINE HARNESS, KAW | |
| 17.. | 539 10 54-09..... | 1 | GROUND WIRE | 574 82 58-01..... | 1 | KIT, SPARK ARRESTOR | |
| 18.. | 539 10 27-57..... | 1 | CABLE, POSITIVE | 586 83 97-01..... | 2 | GASKET, EXHAUST | |
| 19.. | 539 10 27-59..... | 2 | INSULATOR | ----- | 1 | ENGINE, KAWASAKI KX730 23.5 HP For engine service and replacement parts, see a Kawasaki dealer | |

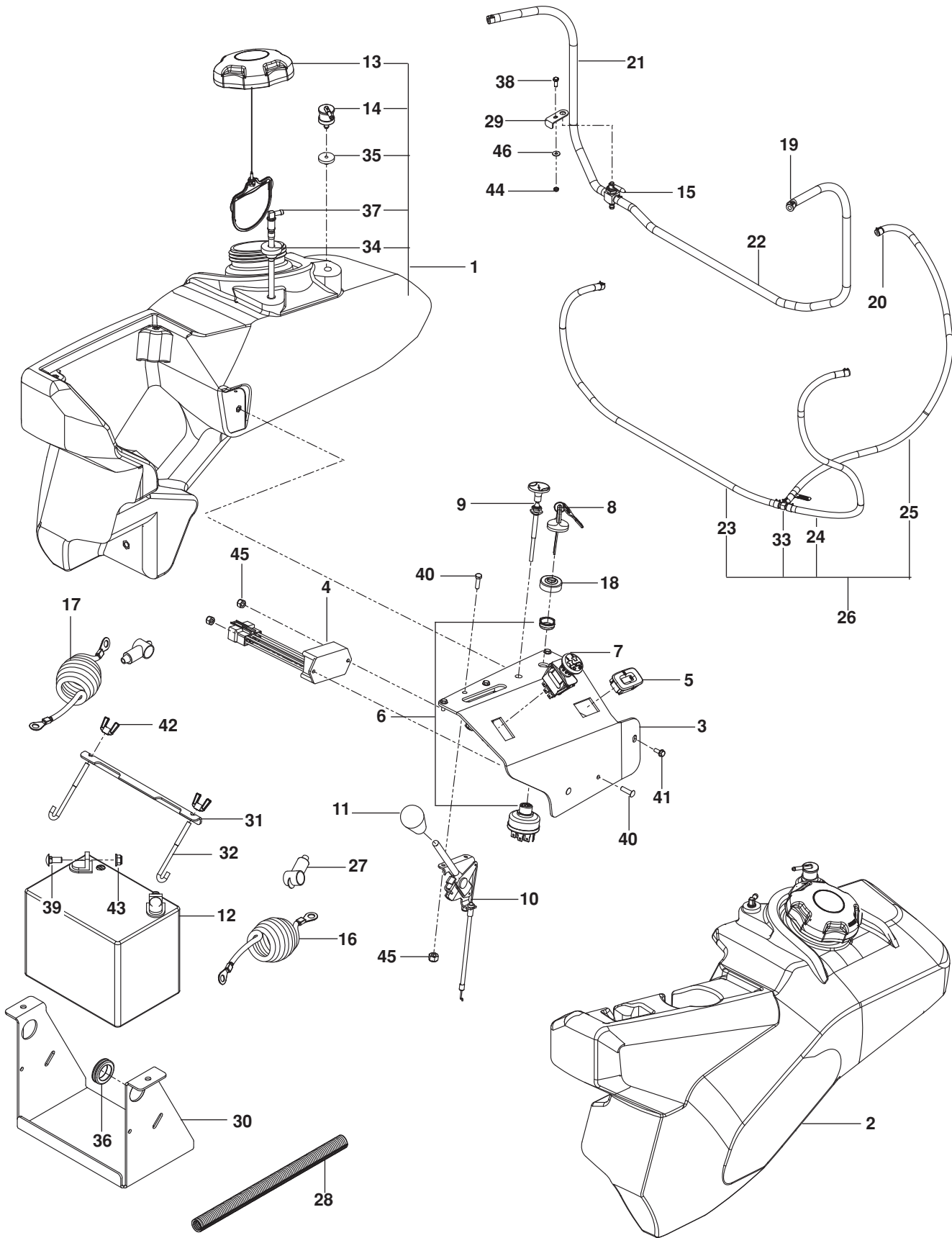
STEERING



STEERING

| ITEM | PART NO. | QTY. | DESCRIPTION | ITEM | PART NO. | QTY. | DESCRIPTION |
|------|-------------------|------|------------------------------|------|-------------------|------|---|
| 1.. | 577 32 77-02..... | 1 | FRAME, SEAT MOUNT ORG | 20.. | 539 11 06-07..... | 2 | BALL STUD 10MM |
| 2.. | 586 73 72-02..... | 2 | BRACKET, CONTROL | 21.. | 577 25 24-01..... | 2 | SPACER, PIVOT |
| 3.. | 577 26 58-01..... | 2 | BRACKET, DAMPENER | 22.. | 539 13 17-99..... | 1 | KNOB |
| 4.. | 574 26 94-01..... | 2 | LEVER, MOTION | 23.. | 522 84 97-02..... | 4 | MOUNT, BLK |
| 5.. | 577 04 24-03..... | 1 | LEVER, w/ GRIP, RT | 24.. | 539 10 47-63..... | 4 | RETAINER, U TYPE |
| | 577 04 23-03..... | 1 | LEVER, w/ GRIP, LT | 25.. | 874 78 05-20..... | 1 | BOLT $\frac{5}{16}$ -18 x $1\frac{1}{4}$ HEX HD TPBLT |
| 6.. | 576 14 03-02..... | 2 | LEVER, CONTROL | 26.. | 874 78-08 44..... | 2 | BOLT $\frac{1}{2}$ -13 x $2\frac{3}{4}$ HEX HD |
| 7.. | 539 13 08-94..... | 2 | GRIP, LEVER | 27.. | 872 11 04-06..... | 1 | BOLT $\frac{1}{4}$ -20 x $\frac{3}{4}$ RD HD SQNK GR2 |
| 8.. | 539 02 00-35..... | 1 | SPRING | 28.. | 574 82 27-01..... | 4 | SCREW 10-24 x $\frac{3}{4}$ SKT HD |
| 9.. | 576 85 03-01..... | 1 | SPRING | 29.. | 576 85 04-02..... | 2 | SCREW $\frac{5}{16}$ -18 x $1\frac{3}{4}$ BTN HD |
| 10.. | 539 10 28-45..... | 1 | SPRING | 30.. | 874 49 05-12..... | 20 | BOLT $\frac{5}{16}$ -18 x $\frac{3}{4}$ HEX FLG HD |
| 11.. | 539 10 95 53..... | 2 | SWITCH N.C. | 31.. | 525 61 28-01..... | 4 | BOLT $\frac{3}{8}$ -16 x 1 HEX FLG HD |
| 12.. | 539 11 37-92..... | 1 | SWITCH, BRAKE (3-POLE) | 32.. | 539 10 80-10..... | 2 | NUT $\frac{1}{2}$ -13 HEX JAM NYL GR2 |
| 13.. | 516 02 03-01..... | 2 | DAMPENER ASSY | 33.. | 539 11 28-99..... | 20 | NUT $\frac{5}{16}$ -18 HEX FLG NYLOC |
| 14.. | 581 43 75-01..... | 2 | BLOCK, TRACKING | 34.. | 539 10 81-20..... | 4 | NUT $\frac{1}{4}$ -20 HEX THIN NYLOC |
| 15.. | 539 13 15-19..... | 2 | PLATE, TAPPED | 35.. | 539 10 22-34..... | 1 | NUT $\frac{1}{4}$ PUSH |
| 16.. | 575 81 15-01..... | 2 | BUMPER | 36.. | 873 80 05-00..... | 2 | NUT $\frac{5}{16}$ -18 HEX NYLOC |
| 17.. | 539 13 15-18..... | 4 | BEARING, FLANGE | 37.. | 539 91 38-47..... | 2 | NUT $\frac{3}{8}$ RETAINER |
| 18.. | 511 59 49-01..... | 1 | BUSHING $\frac{1}{4}$ FLANGE | 38.. | 819 11 11-16..... | 3 | WASHER $\frac{5}{16}$ SAE FLAT |
| 19.. | 511 59 50-01..... | 1 | LINK, SWITCH | 39.. | 810 03 05-00..... | 2 | WASHER $\frac{5}{16}$ SLW |

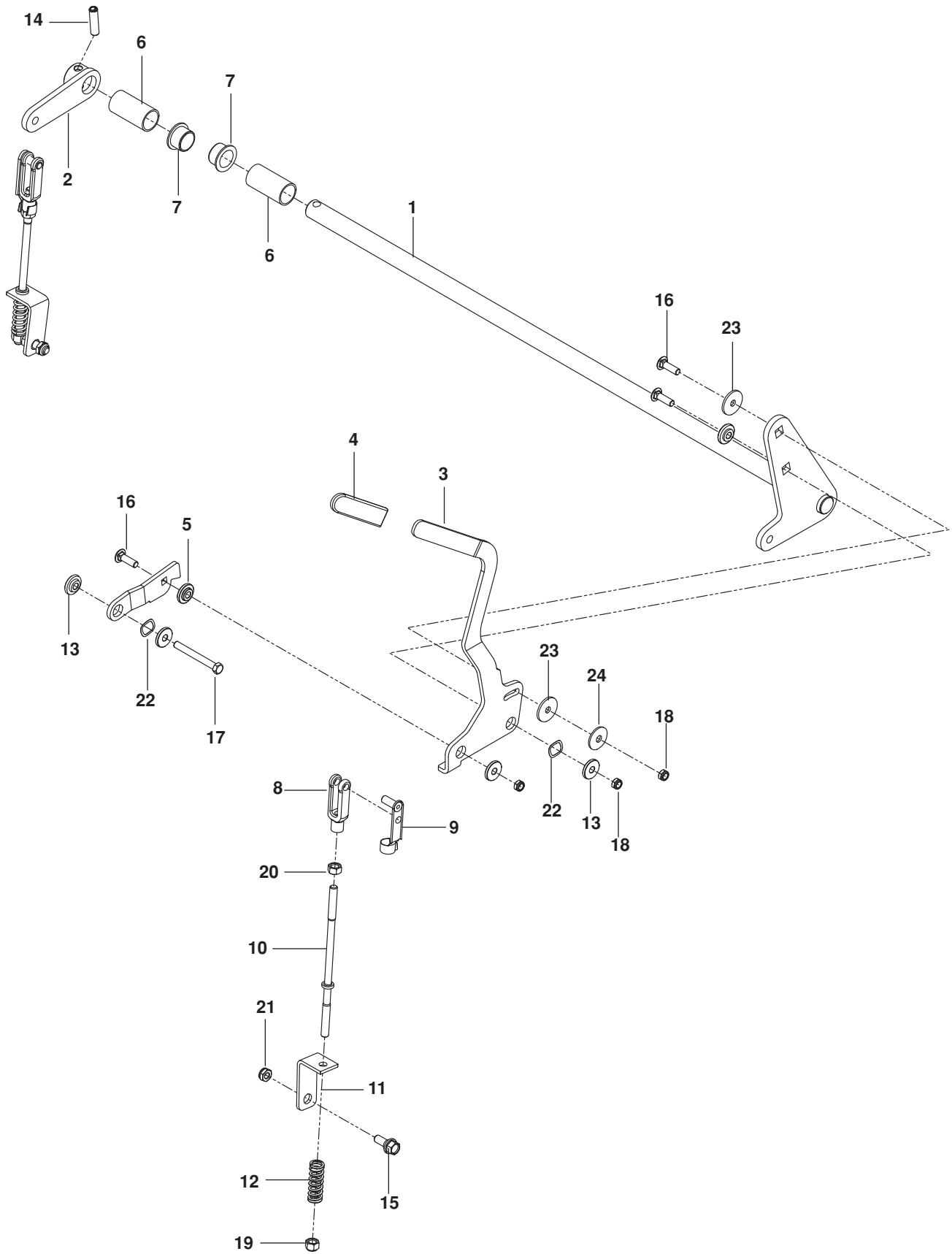
IGNITION



IGNITION

| ITEM | PART NO. | QTY. | DESCRIPTION | ITEM | PART NO. | QTY. | DESCRIPTION |
|------|-------------------|------|----------------------|------|-------------------|------|-------------------------------|
| 1.. | 584 28 04-01..... | 1 | TANK ASSY, RT GRY | 24.. | 576 66 06-03..... | 1 | HOSE 3/16 x 38" |
| 2.. | 584 28 03-01..... | 1 | TANK ASSY, LT GRY | 25.. | 576 66 06-04..... | 1 | HOSE 3/16 30" |
| 3.. | 529 28 02-02..... | 1 | PANEL, CONTROL | 26.. | 576 54 77-01..... | 1 | VAPOR LINE ASSY |
| 4.. | 574 51 40-01..... | 1 | TIMER, SEAT | 27.. | 539 10 27-59..... | 2 | INSULATOR |
| 5.. | 586 16 18-01..... | 1 | METER, SERVICE | 28.. | 574 23 53-01..... | 1 | LOOM 5/8 SPLIT |
| 6.. | 574 45 54-01..... | 1 | SWITCH, IGNITION | 29.. | 577 10 40-02..... | 1 | BRACKET, VALVE |
| 7.. | 539 13 16-27..... | 1 | SWITCH, PTO 10 AMP | 30.. | 510 02 99-02..... | 1 | BRACKET, BATTERY BLK |
| 8.. | 574 45 55-01..... | 1 | KEY, IGNITION | 31.. | 510 03 00-01..... | 1 | BRACKET, BATTERY MOUNT |
| 9.. | 574 20 69-01..... | 1 | CABLE, CHOKE | 32.. | 510 06 40-01..... | 2 | J HOOK |
| 10.. | 574 20 70-01..... | 1 | CABLE, THROTTLE | 33.. | 574 20 66-02..... | 1 | TEE 3/16 FUEL LINE |
| 11.. | 539 13 26-24..... | 1 | KNOB | 34.. | 539 10 52-45..... | 2 | GROMMET, RUBBER |
| 12.. | 539 10 24-36..... | 1 | BATTERY | 35.. | 576 61 82-01..... | 2 | GROMMET, CHECK VALVE |
| 13.. | 575 01 81-01..... | 2 | CAP w/ TETHER, FUEL | 36.. | 539 10 59-74..... | 1 | GROMMET |
| 14.. | 576 61 81-01..... | 2 | VALVE, FUEL CHECK | 37.. | 525 86 54-01..... | 2 | FITTING, FUEL |
| 15.. | 539 10 26-79..... | 1 | VALVE, FUEL | 38.. | 539 99 05-80..... | 1 | BOLT 1/4-20 x 3/4 |
| 16.. | 522 71 87-01..... | 1 | CABLE, POSITIVE | 39.. | 872 14 05-06..... | 2 | BOLT 5/16-18 x 3/4 RD HD SQNK |
| 17.. | 522 71 07-01..... | 1 | CABLE, NEGATIVE | 40.. | 574 82 27-01..... | 4 | SCREW 10-24 x 3/4 SKT HD |
| 18.. | 539 10 31-78..... | 1 | CAP, IGNITION SWITCH | 41.. | 539 11 43-41..... | 3 | SCREW 10-24 x 3/8 SKT HD |
| 19.. | 539 91 22-22..... | 4 | CLAMP, HOSE | 42.. | 539 99 09-97..... | 2 | WINGNUT 1/4-20 NYLOC |
| 20.. | 575 43 65-01..... | 6 | CLAMP, HOSE | 43.. | 539 11 28-99..... | 2 | NUT 5/16-18 HEX FLG NYLOC |
| 21.. | 587 04 48-22..... | 1 | HOSE 1/4 x 22" | 44.. | 539 10 81-20..... | 1 | NUT 1/4-20 HEX THIN NYLOC |
| 22.. | 587 04 48-38..... | 1 | HOSE 1/4 x 38" | 45.. | 539 97 69-77..... | 4 | NUT 10-24 HEX NYLOC |
| 23.. | 576 66 06-01..... | 1 | HOSE 3/16 x 39" | 46.. | 539 99 05-98..... | 1 | WASHER 1/4 FLAT |

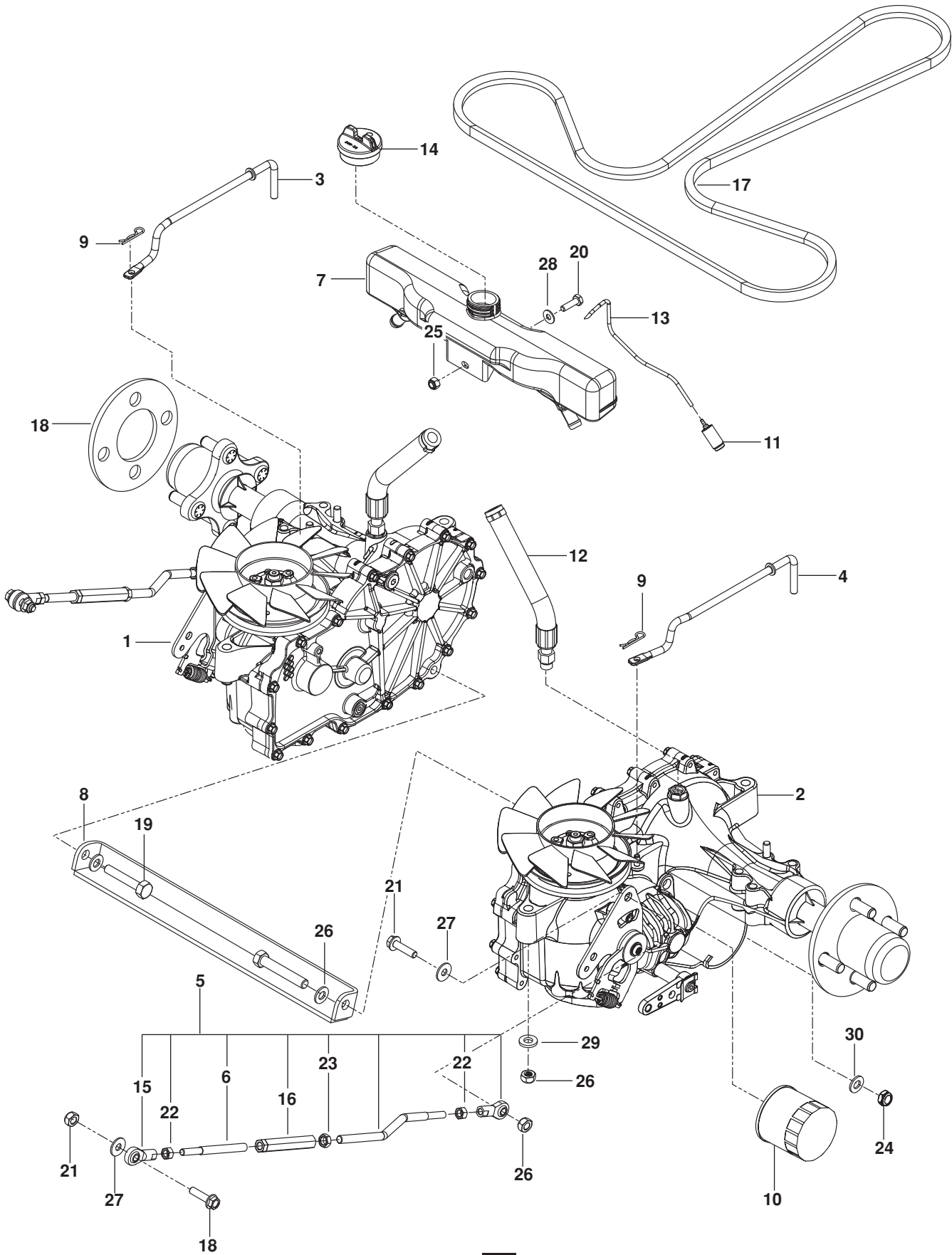
PARKING BRAKE



PARKING BRAKE

| ITEM | PART NO. | QTY. | DESCRIPTION | ITEM | PART NO. | QTY. | DESCRIPTION |
|------|-------------------|---------|---|------|-------------------|---------|--|
| 1.. | 576 41 63-01..... | 1 | SHAFT, BRAKE | 13.. | 539 13 21-61..... | 6 | BUSHING, BRAKE |
| 2.. | 576 41 64-01..... | 1 | ARM, RT BRAKE | 14.. | 539 11 06-31..... | 1 | ROLL PIN ⁵ / ₁₆ " DIA. |
| 3.. | 515 98 00-02..... | 1 | LEVER, BRAKE | 15.. | 539 11 03-03..... | 2 | BOLT ⁵ / ₁₆ SHOULDER |
| 4.. | 539 97 65-26..... | 1 | GRIP, LEVER | 16.. | 539 10 04-13..... | 3 | BOLT ³ / ₈ -16 x 1¼ RD HD SQNK |
| 5.. | 515 98 03-01..... | 1 | LINK, FOLLOWER | 17.. | 539 92 34-63..... | 1 | BOLT ³ / ₈ -16 x 3¼ |
| 6.. | 576 76 40-01..... | 2 | SPACER, SHAFT | 18.. | 539 20 02-82..... | 3 | NUT ³ / ₈ -16 HEX JAM NYLOC |
| 7.. | 539 13 15-18..... | 2 | BEARING, FLANGE | 19.. | 539 11 09-43..... | 2 | NUT ⁵ / ₁₆ -24 HEX NYLOC |
| 8.. | 539 97 64-81..... | 2 | YOKE | 20.. | 539 99 02-23..... | 2 | NUT ⁵ / ₁₆ -24 HEX |
| 9.. | 522 70 59-01..... | 2 | PIN ³ / ₈ CLEVIS SPRING | 21.. | 539 11 56-17..... | 2 | NUT ⁵ / ₁₆ -18 HEX NYLOC |
| 10.. | 576 45 95-01..... | 2 | LINKAGE, BRAKE | 22.. | 539 13 30-07..... | 2 | WASHER, WAVE |
| 11.. | 575 22 98-02..... | 2 | BRACKET, BRAKE | 23.. | 525 49 09-01..... | 2 | WASHER, FRICTION |
| 12.. | 575 23 03-01..... | 1 | SPRING | 24.. | 539 91 20-63..... | 1 | WASHER, CONE |

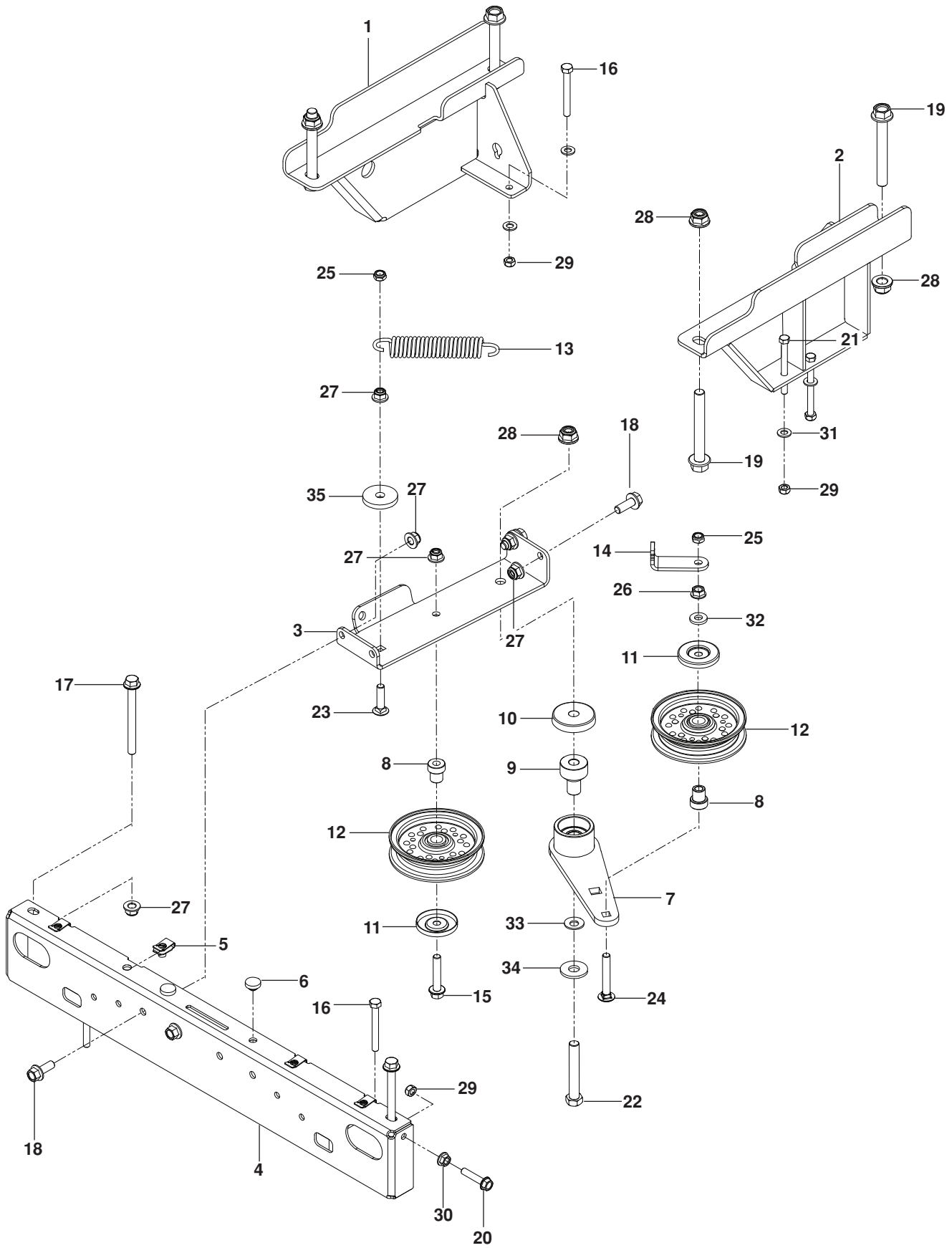
HYDRAULIC PUMP-MOTOR



HYDRAULIC PUMP-MOTOR

| ITEM | PART NO. | QTY. | DESCRIPTION | ITEM | PART NO. | QTY. | DESCRIPTION |
|------|-------------------|---------|-----------------------|------|--------------------|---------|---|
| 1.. | 574 56 91-02..... | 1 | TRANS, ZT-3400, RT | 16.. | 539 10 91-49..... | 2 | TURNBUCKLE $\frac{3}{8}$ |
| 2.. | 574 56 91-01..... | 1 | TRANS, ZT-3400, LT | 17.. | 576 66 72-01..... | 1 | BELT |
| 3.. | 539 13 16-18..... | 1 | LINKAGE, RT BYPASS | 18.. | 580 90-62-02 | 2 | SPACER, WHEEL |
| 4.. | 539 13 16-16..... | 1 | LINKAGE, LT BYPASS | 19.. | 539 10 85-51..... | 2 | BOLT $\frac{3}{8}$ -16 x $2\frac{1}{4}$ GR 8 HEX HD |
| 5.. | 576 41 57-01..... | 2 | LINKAGE, CONTROL ASSY | 20.. | 539 99 06-42..... | 1 | BOLT $\frac{1}{4}$ -20 x $\frac{7}{8}$ HEX HD |
| 6.. | 522 55 92-01..... | 2 | LINKAGE, CONTROL FT | 21.. | 525 54 40-01..... | 4 | BOLT $\frac{5}{16}$ -18 x $1\frac{1}{4}$ TPBLT |
| 7.. | 584 80 75-01..... | 1 | TANK, EXPANSION | 22.. | 539 99 02-23..... | 4 | NUT $\frac{5}{16}$ -24 HEX |
| 8.. | 851 82 02-02..... | 1 | BRACKET | 23.. | 539 10 87-32..... | 2 | NUT $\frac{3}{8}$ -24 HEX JAM |
| 9.. | 539 97 69-88..... | 2 | HAIRPIN COTTER | 24.. | 581 84 81-01..... | 2 | NUT $\frac{3}{8}$ -16 LK GR C |
| 10.. | 539 11 34-66..... | 2 | FILTER, HYDRO | 25.. | 539 97 69-78..... | 1 | NUT $\frac{1}{4}$ -20 HEX NYL |
| 11.. | 530 09 56-46..... | 1 | FILTER | 26.. | 585 47 68-01..... | 4 | NUT $\frac{5}{16}$ -18 HEX LK |
| 12.. | 574 89 21-01..... | 2 | HOSE, EXPANSION | 27.. | 539 99 06-92..... | 4 | WASHER $\frac{5}{16}$ STD FLT |
| 13.. | 586 06 75-01..... | 1 | HOSE, FUEL LINE | 28.. | 539 99 00-55..... | 1 | WASHER $\frac{1}{4}$ SAE FLT |
| 14.. | 586 07 27-01..... | 1 | CAP, TANK | 29.. | 585 47 70-01..... | 2 | WASHER $\frac{5}{16}$ SAE FLAT |
| 15.. | 539 10 25-90..... | 4 | BALL END, RT | 30.. | 539 99 01-22..... | 4 | WASHER $\frac{3}{8}$ SAE FLT |

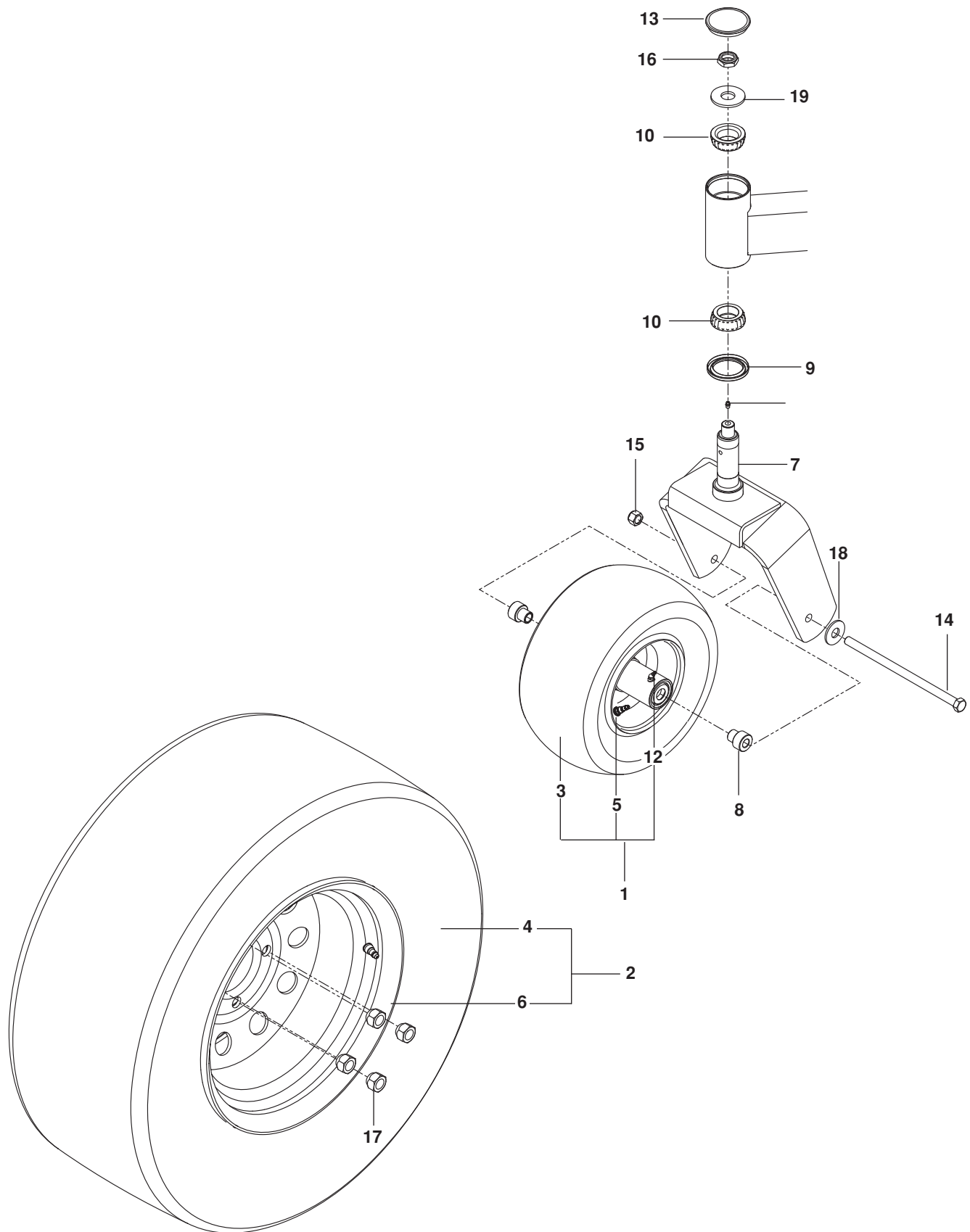
HYDRAULIC FRAME



HYDRAULIC FRAME

| ITEM | PART NO. | QTY. | DESCRIPTION | ITEM | PART NO. | QTY. | DESCRIPTION |
|------|-------------------|------|------------------------------|------|-------------------|------|--------------------------------|
| 1.. | 581 82 13-02..... | 1 | MOUNT, TRANS RT BLK | 19.. | 525 54 48-01..... | 4 | BOLT 1/2-13 x 4 GR 8 |
| 2.. | 581 82 12-02..... | 1 | MOUNT, TRANS LT BLK | 20.. | 525 46 54-01..... | 4 | BOLT 5/16-18 x 1 1/2 |
| 3.. | 576 45 99-02..... | 1 | MOUNT, IDLER BLK | 21.. | 585 47 67-01..... | 4 | BOLT HEX HD 5/16-18 x 3 |
| 4.. | 581 81 30-02..... | 1 | MOUNT, FT BLK | 22.. | 539 10 34-33..... | 1 | BOLT HEX HD 1/2-13 x 3 1/4 |
| 5.. | 539 10 47-63..... | 4 | RETAINER, U TYPE | 23.. | 539 10 93-45..... | 1 | BOLT RD HD SQNK 3/8-16 x 1 1/2 |
| 6.. | 539 10 25-87..... | 2 | GROMMET, BUMPER | 24.. | 539 12 81-01..... | 1 | BOLT 3/8-16 x 2 1/2 CARRIAGE |
| 7.. | 510 04 16-03..... | 1 | ARM, IDLER w/ BEARINGS | 25.. | 539 20 02-82..... | 2 | NUT 3/8-16 HEX JAM NYLOC |
| 8.. | 525 43 56-01..... | 2 | PIVOT, IDLER | 26.. | 539 99 06-13..... | 1 | NUT 3/8-16 HEX WHIZLK |
| 9.. | 510 20 63-01..... | 1 | PIVOT, BEARING | 27.. | 521 99 65-01..... | 8 | NUT 3/8-16 HEX FLG NYLOC |
| 10.. | 539 11 46-62..... | 1 | SHIELD, DUST | 28.. | 521 99 11-01..... | 5 | NUT 1/2-13 HEX FLG NYLOC |
| 11.. | 510 25 45-01..... | 2 | SHIELD, DUST | 29.. | 585 47 68-01..... | 5 | NUT 5/16-18 HEX LK |
| 12.. | 539 97 66-88..... | 2 | PULLEY, IDLER | 30.. | 539 99 05-85..... | 1 | NUT 5/16-18 HEX WHIZLK |
| 13.. | 575 47 09-01..... | 1 | SPRING, EXTENSION | 31.. | 585 47 70-01..... | 3 | WASHER 5/16 SAE FLAT |
| 14.. | 576 45 98-01..... | 1 | BRACKET, SPRING | 32.. | 522 02 34-01..... | 1 | WASHER 3/8 THICK |
| 15.. | 874 49 06-32..... | 1 | BOLT 3/8-16 x 2 | 33.. | 539 11 55-28..... | 1 | WASHER 1/2 BELLEVILLE |
| 16.. | 585 47 66-01..... | 4 | BOLT 5/16-18 x 2 1/2 HEX FLG | 34.. | 539 10 95-54..... | 1 | WASHER 1/2 FLAT |
| 17.. | 521 99 66-01..... | 2 | BOLT 3/8-16 x 4 | 35.. | 539 10 65-04..... | 1 | WASHER, HEAVY |
| 18.. | 525 61 28-01..... | 4 | BOLT 3/8-16 x 1 | | | | |

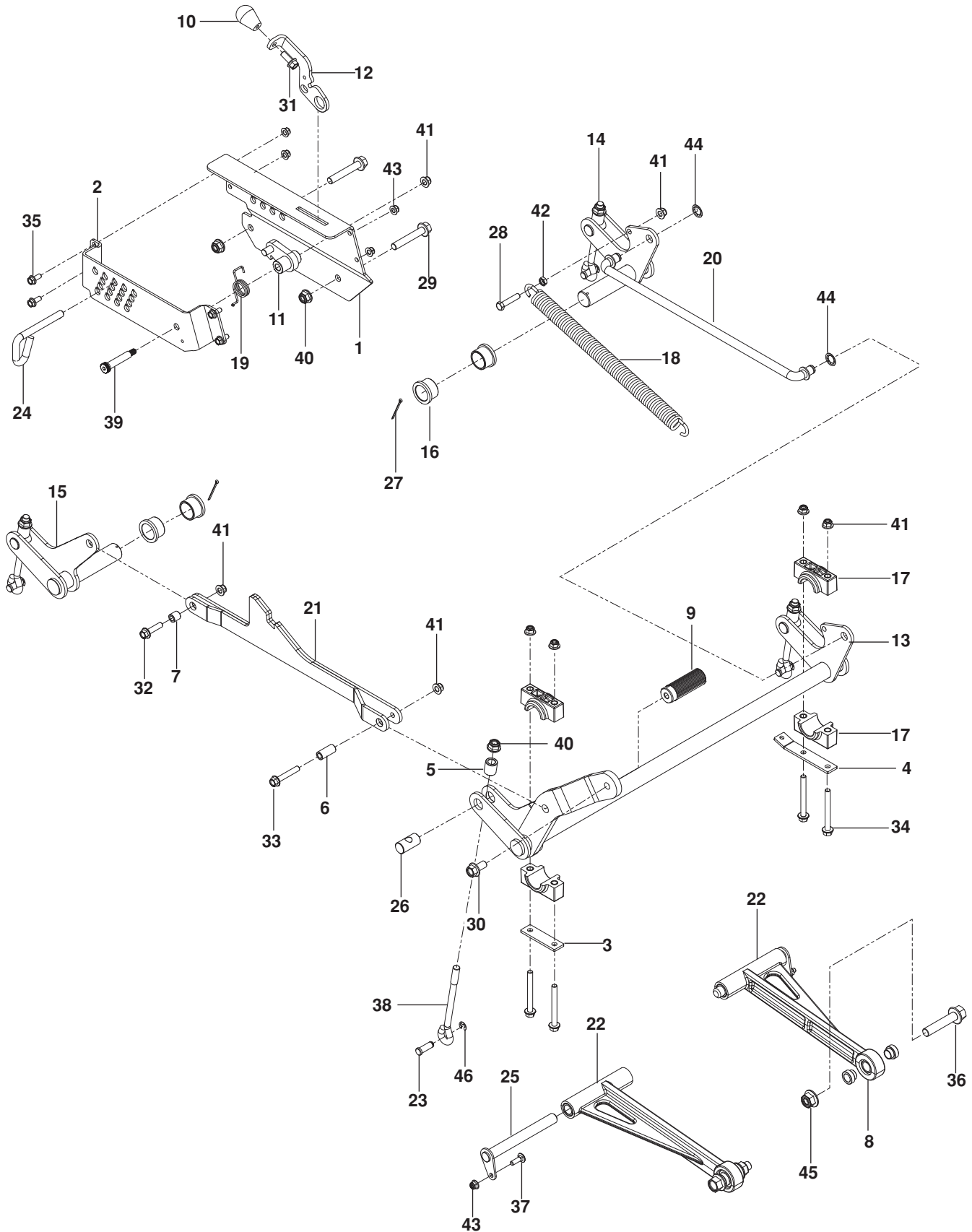
WHEELS



WHEELS

| ITEM | PART NO. | QTY. | DESCRIPTION | ITEM | PART NO. | QTY. | DESCRIPTION |
|------|-------------------|--------|----------------------------|------|-------------------|--------|--------------------------|
| 1.. | 539 10 55-21..... | 2..... | ASSY, TIRE 13 x 6.5 | 11.. | 539 10 14-74..... | 2..... | ZERK |
| 2.. | 522 90 51-01..... | 2..... | ASSY, TIRE 23 x 10.5 | 12.. | 539 10 33-00..... | 2..... | ZERK ¼ -28 ANGLED |
| 3.. | 539 10 74-31..... | 2..... | TIRE 23 x 10.5 TURF MASTER | 13.. | 510 03 40-01..... | 2..... | CAP, DUST |
| 4.. | 539 10 55-22..... | 2..... | TIRE | 14.. | 539 10 55-17..... | 2..... | BOLT ½-13 x 9½ HEX NYLOC |
| 5.. | 575 62 21-01..... | 2..... | RIM | 15.. | 521 99 11-01..... | 2..... | NUT ½-13 HEX FLG NYLOC |
| 6.. | 522 90 51-02..... | 2..... | RIM | 16.. | 522 84 26-01..... | 2..... | NUT ¾-16 HEX THIN NYLOC |
| 7.. | 525 61 19-02..... | 2..... | YOKE, CASTER, BLUE | 17.. | 539 10 11-73..... | 8..... | NUT, LUG |
| 8.. | 539 10 55-18..... | 4..... | SPACER, AXLE | 18.. | 539 99 02-50..... | 2..... | WASHER ½ SAE |
| 9.. | 510 03 43-01..... | 2..... | SEAL, BEARING | 19.. | 574 82 47-01..... | 2..... | WASHER ¾ HARDENED |
| 10.. | 510 03 44-03..... | 4..... | CONE | | | | |

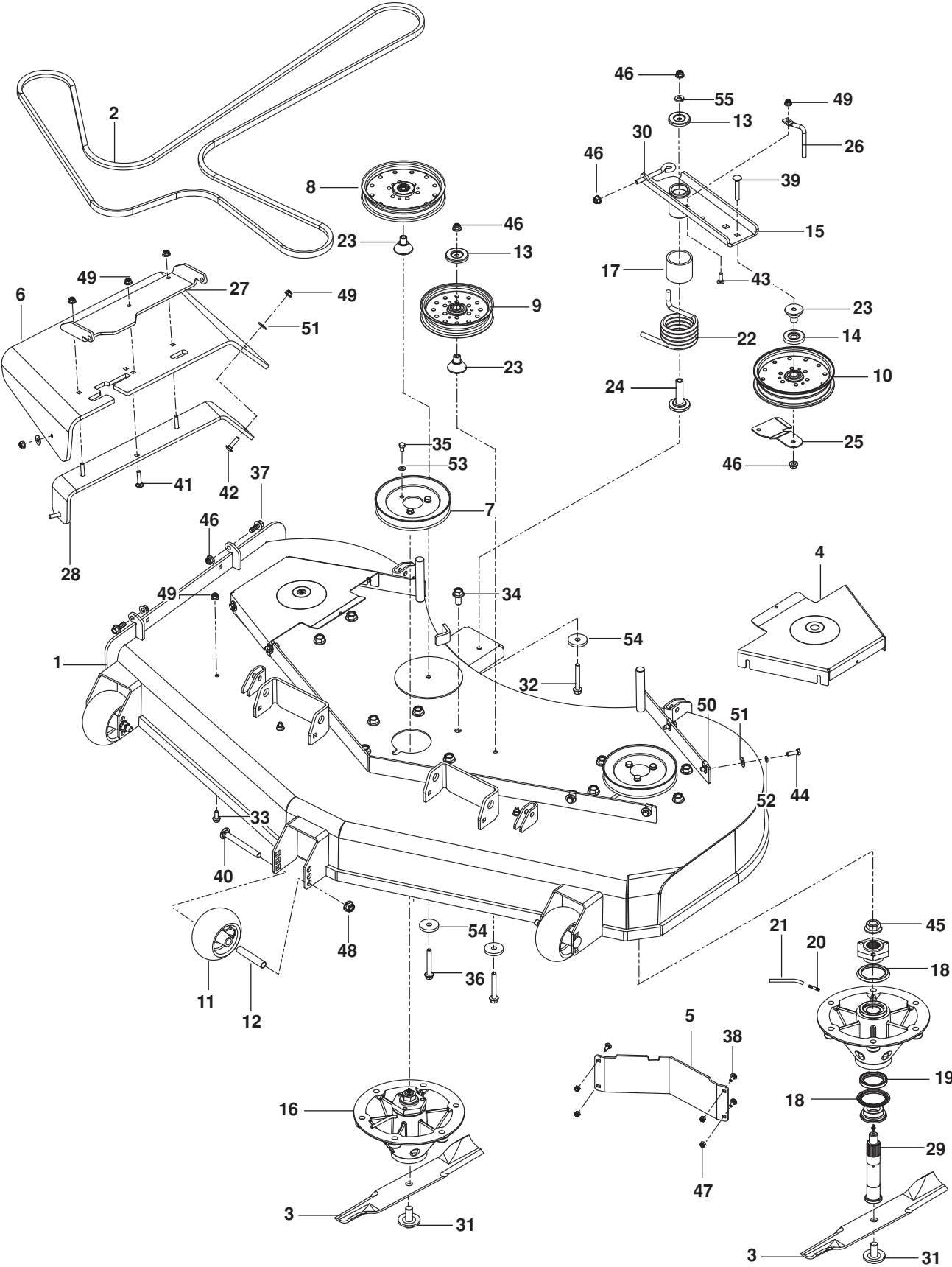
MOWER LIFT / DECK LIFT



MOWER LIFT / DECK LIFT

| ITEM | PART NO. | QTY. | DESCRIPTION | ITEM | PART NO. | QTY. | DESCRIPTION |
|------|-------------------|------|--------------------------|------|-------------------|------|---------------------------------|
| 1.. | 576 48 00-02..... | 1 | PLATE, HEIGHT, INNER ORG | 24.. | 510 01 65-01..... | 1 | PIN, HEIGHT |
| 2.. | 576 48 01-02..... | 1 | PLATE, HEIGHT, OUTER ORG | 25.. | 515 98 82-01..... | 2 | PIN, STRUT |
| 3.. | 525 82 22-01..... | 1 | PLATE, PILLOW BLOCK | 26.. | 576 48 56-01..... | 4 | PIN, TRUNION |
| 4.. | 576 64 67-01..... | 1 | PLATE, SPRING ANCHOR | 27.. | 539 10 28-89..... | 2 | PIN 1/8 x 2 COTTER |
| 5.. | 576 48 58-01..... | 4 | SPACER, EYEBOLT | 28.. | 539 99 07-30..... | 1 | BOLT 3/8-16 x 1 3/4 HEX HD |
| 6.. | 576 62 31-01..... | 1 | SPACER, FRT LIFT STRAP | 29.. | 874 49 08-48..... | 2 | BOLT 1/2-13 x 3 HEX FLG HD |
| 7.. | 576 62 30-01..... | 1 | SPACER, RR LIFT STRAP | 30.. | 574 21 06-01..... | 1 | BOLT 1/2-13 x 1 HEX FLG HD |
| 8.. | 510 36 25-01..... | 4 | SPACER, STRUT | 31.. | 525 61 28-01..... | 1 | BOLT 3/8-16 x 1 HEX FLG HD |
| 9.. | 510 40 83-01..... | 1 | PEDAL, DECK HEIGHT | 32.. | 576 62 16-01..... | 1 | BOLT 3/8-16 x 1 1/2 HEX FLG HD |
| 10.. | 539 13 26-24..... | 1 | KNOB | 33.. | 874 49 06-36..... | 1 | BOLT 3/8-16 x 2 1/4 HEX FLG HD |
| 11.. | 510 40 68-01..... | 1 | LATCH, TRANSPORT | 34.. | 874 49 06-52..... | 4 | BOLT 3/8-16 x 3 1/2 HEX FLG HD |
| 12.. | 576 63 89-01..... | 1 | LEVER, RELEASE | 35.. | 874 49 05-12..... | 4 | BOLT 5/16-18 x 3/4 HEX FLG HD |
| 13.. | 576 47 92-01..... | 1 | SHAFT, DECK LIFT FT | 36.. | 874 45 10-48..... | 2 | BOLT 5/8-11 x 3 HEX FLG HD GR 8 |
| 14.. | 576 47 99-01..... | 1 | SHAFT, LIFT LT RR | 37.. | 539 99 02-08..... | 2 | BOLT 5/16-18 x 1 RD HD SQNK |
| 15.. | 576 47 94-01..... | 1 | SHAFT, LIFT RT RR | 38.. | 576 47 90-01..... | 4 | EYEBOLT, DECK LIFT |
| 16.. | 510 08 94-01..... | 4 | BUSHING, FLANGED | 39.. | 516 03 55-01..... | 1 | BOLT 3/8-16 x 2 1/4 SHLDR |
| 17.. | 510 02 39-02..... | 4 | BLOCK, PILLOW | 40.. | 521 99 11-01..... | 6 | NUT 1/2-13 HEX FLG NYLOC |
| 18.. | 576 67 66-01..... | 1 | SPRING, EXTENSION | 41.. | 521 99 65-01..... | 8 | NUT 3/8-16 HEX FLG NYLOC |
| 19.. | 510 37 66-01..... | 1 | SPRING, TORSION | 42.. | 539 10 93-32..... | 1 | NUT 3/8-16 HEX JAM |
| 20.. | 510 08 98-01..... | 1 | ROD, LIFT | 43.. | 539 11 28-99..... | 6 | NUT 5/16-18 HEX FLG NYLOC |
| 21.. | 576 62 26-01..... | 1 | STRAP, DECK | 44.. | 539 10 93-04..... | 2 | NUT 5/8 PUSH |
| 22.. | 510 10 65-01..... | 2 | STRUT ASSY | 45.. | 525 82 91-01..... | 2 | NUT 5/8-11 FLG NYLOC |
| 23.. | 510 09 01-01..... | 4 | PIN 7/16 CLEVIS | 46.. | 522 70 52-01..... | 4 | E RING 7/16 |

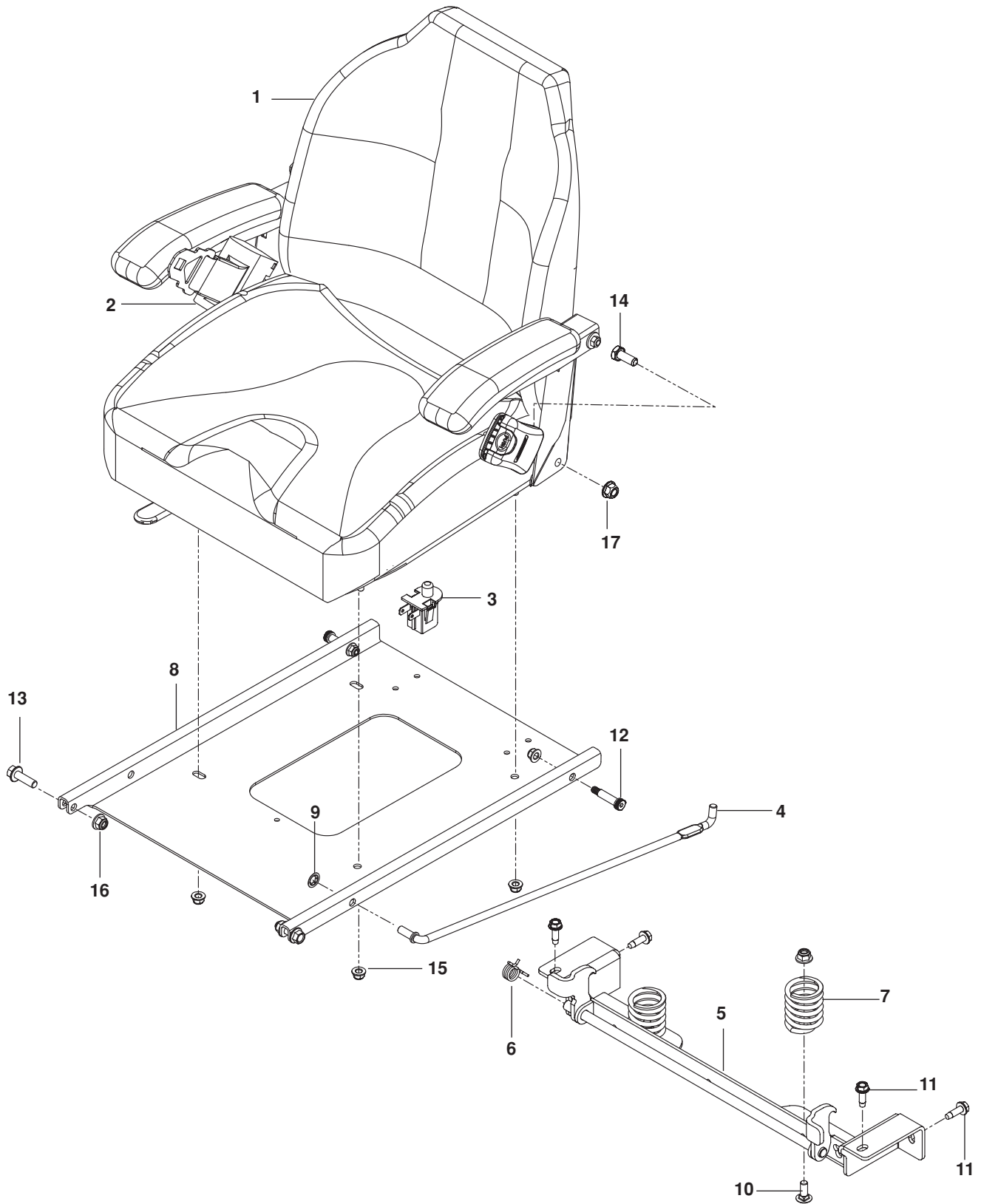
MOWER DECK / CUTTING DECK



MOWER DECK / CUTTING DECK

| ITEM | PART NO. | QTY. | DESCRIPTION | ITEM | PART NO. | QTY. | DESCRIPTION |
|------|-------------------|------|--------------------------|------|-------------------|------|--|
| 1.. | 581 49 78-02..... | 1 | DECK w/ SAFETY DECALS | 29.. | 580 94 21-01..... | 3 | SHAFT |
| 2.. | 575 65 84-01..... | 1 | BELT | 30.. | 574 20 20-01..... | 1 | EYE BOLT |
| 3.. | 581 05 55-02..... | 3 | BLADE | 31.. | 539 11 90-07..... | 3 | BLADE BOLT |
| 4.. | 510 13 12-02..... | 2 | BELT SHIELD | 32.. | 874 88 06-72..... | 1 | BOLT $\frac{3}{8}$ -16 x 4 $\frac{1}{2}$ HEX HD |
| 5.. | 510 43 75-02..... | 1 | BAFFLE DIVERTER LT | 33.. | 874 49 05-12..... | 4 | BOLT $\frac{5}{16}$ -18 x $\frac{3}{4}$ HEX FLG HD |
| 6.. | 525 48 58-01..... | 1 | CHUTE, DISCHARGE | 34.. | 574 21 06-01..... | 18 | BOLT $\frac{1}{2}$ -13 x 1 HEX FLG HD |
| 7.. | 521 97 97-01..... | 3 | PULLEY | 35.. | 539 13 03-15..... | 9 | BOLT $\frac{5}{16}$ -18 x $\frac{1}{2}$ HX HD |
| 8.. | 525 59 82-01..... | 1 | PULLEY, IDLER 7" NARROW | 36.. | 539 13 17-81..... | 2 | BOLT $\frac{3}{8}$ -16 x 2 $\frac{3}{4}$ HEX FLG HD |
| 9.. | 510 01 96-01..... | 1 | PULLER, IDLER 6" NARROW | 37.. | 525 61 28-01..... | 2 | BOLT WSH HEAD $\frac{3}{8}$ -16 x 1 |
| 10.. | 510 01 51-01..... | 1 | PULLEY, IDLER 7" | 38.. | 539 11 56-20..... | 4 | BOLT $\frac{1}{4}$ -20 x $\frac{3}{4}$ CARRIAGE |
| 11.. | 574 16 96-01..... | 3 | ROLLER, GAUGE | 39.. | 539 12 81-01..... | 1 | BOLT $\frac{3}{8}$ -16 x 2 $\frac{1}{2}$ CARRIAGE |
| 12.. | 574 19 64-01..... | 2 | TUBE ROLLER AXLE | 40.. | 510 02 23-01..... | 2 | BOLT $\frac{1}{2}$ -13 x 4 $\frac{3}{4}$ RD HD SQNK |
| 13.. | 510 25 45-01..... | 3 | SHIELD DUST | 41.. | 539 10 29-33..... | 3 | BOLT $\frac{5}{16}$ -18 x 1 $\frac{1}{2}$ RD HD SQNK |
| 14.. | 510 26 22-01..... | 1 | SHIELD, DUST | 42.. | 539 10 04-72..... | 2 | BOLT $\frac{5}{16}$ -18 x 1 $\frac{1}{4}$ RD HD SQNK |
| 15.. | 525 46 44-03..... | 1 | ARM, IDLER w/ SPCR, BRGS | 43.. | 872 11 05-08..... | 1 | BOLT $\frac{5}{16}$ -18 x 1 RD HD SQNK |
| 16.. | 580 94 33-01..... | 3 | SPINDLE ASSY | 44.. | 874 78 05-16..... | 8 | SCREW $\frac{5}{16}$ -18 x 1 HEX |
| 17.. | 525 46 56-01..... | 1 | SPACER, IDLER PIVOT | 45.. | 539 13 06-53..... | 3 | NUT $\frac{3}{4}$ -16 FLANGE |
| 18.. | 580 94 27-01..... | 6 | SEAL, V-RING | 46.. | 521 99 65-01..... | 5 | NUT $\frac{3}{8}$ -16 HEX FLG NYLOC |
| 19.. | 580 94 26-01..... | 6 | SEAL, SHAFT | 47.. | 539 97 69-78..... | 4 | NUT $\frac{1}{4}$ -20 HEX NYLOC |
| 20.. | 580 94 30-01..... | 3 | ADAPTER | 48.. | 521 99 11-01..... | 2 | NUT $\frac{1}{2}$ -13 HEX FLG NYLOC |
| 21.. | 582 94 31-01..... | 3 | TUBE | 49.. | 539 11 28-99..... | 9 | NUT $\frac{5}{16}$ -18 HEX FLG NYLOC |
| 22.. | 525 31 09-01..... | 1 | SPRING, TORSION, IDLER | 50.. | 539 10 47-63..... | 8 | RETAINER, U TYPE |
| 23.. | 510 26 37-01..... | 3 | BEARING, IDLER ARM | 51.. | 819 12 14-14..... | 10 | WASHER $\frac{5}{16}$ STD FLT |
| 24.. | 522 72 97-01..... | 1 | BEARING, IDLER PIVOT | 52.. | 810 03 05-00..... | 8 | WASHER $\frac{5}{16}$ SLW |
| 25.. | 574 26 21-02..... | 1 | BELT GUIDE, BLK | 53.. | 539 10 96-00..... | 9 | WASHER $\frac{5}{16}$ DISC SPRING |
| 26.. | 574 26 22-01..... | 1 | BELT KEEPER | 54.. | 539 10 65-04..... | 3 | WASHER, HEAVY |
| 27.. | 574 19 70-02..... | 1 | BRACKET, CHUTE PIVOT BLK | 55.. | 522 02 34-01..... | 1 | WASHER $\frac{3}{8}$ THICK |
| 28.. | 525 48 60-02..... | 1 | SUPPORT, BRACKET BLK | | | | |

SEAT



SEAT

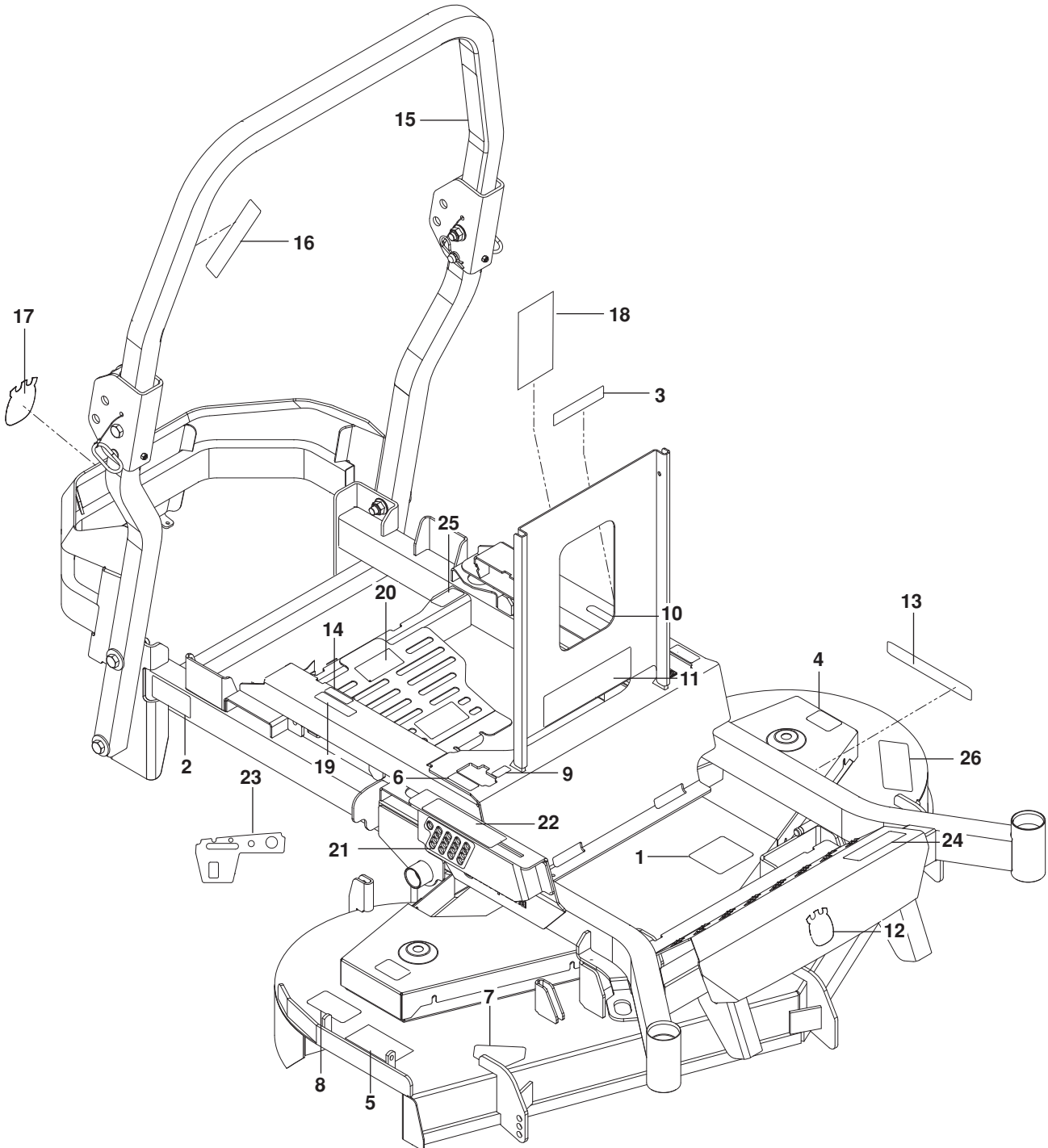
ITEM PART NO. QTY. DESCRIPTION

1.. 576 70 20-01..... 1SEAT ASSY
2.. 576 78 34-01..... 1SEAT BELT ASSY
3.. 539 11 97-41..... 1SWITCH, SEAT
4.. 510 06 41-01..... 1ROD, SEAT
5.. 585 85 74-02..... 1LATCH, SEAT
6.. 520 28 31-01..... 1SPRING, TORSION
7.. 539 11 03-00..... 2SPRING, SEAT
8.. 510 03 93-02..... 1PAN, SEAT
9.. 539 91 38-47..... 2RETAINER $\frac{3}{8}$ NUT

ITEM PART NO. QTY. DESCRIPTION

10.. 539 99 06-45..... 2BOLT $\frac{3}{8}$ -16 x 1 RD HD SQNK
11.. 539 11 32-26..... 4BOLT $\frac{5}{16}$ -18 x 1 THD FRM
12.. 515 99 06-01..... 2BOLT $\frac{3}{8}$ x $1\frac{1}{4}$ $\frac{5}{16}$ -18 SHLDR
13.. 525 83 42-01..... 2BOLT $\frac{3}{8}$ -16 x $1\frac{1}{4}$ HEX FLG HD
14.. 539 10 01-43..... 2BOLT $\frac{7}{16}$ -14 x 1 HEX HD
15.. 539 11 28-99..... 6NUT $\frac{5}{16}$ -18 HEX FLG NYLOC
16.. 521 99 65-01..... 2NUT $\frac{3}{8}$ -16 HEX FLG NYLOC
17.. 539 13 20-19..... 2NUT $\frac{7}{16}$ -14 WHZ LK

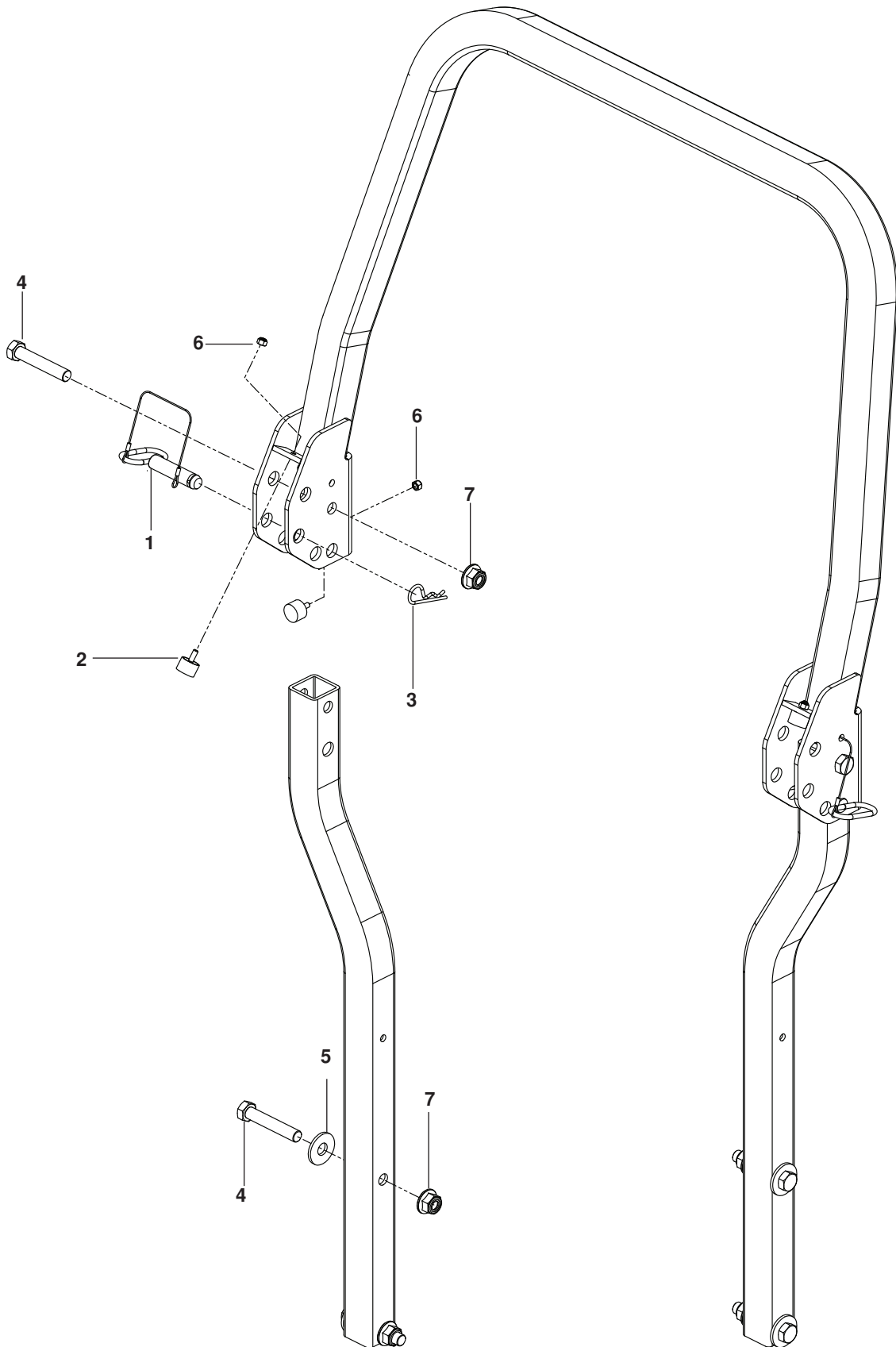
DECALS



DECALS

| ITEM | PART NO. | QTY. | DESCRIPTION | ITEM | PART NO. | QTY. | DESCRIPTION |
|------|-------------------|---------|------------------------|------|-------------------|---------|-----------------------|
| 1.. | 574 43 73-01..... | 1 | DECAL, BELT ROUTE | 14.. | 574 56 94-01..... | 1 | DECAL, FUSE |
| 2.. | 539 10 57-44..... | 1 | DECAL, BELT DRIVE WARN | 15.. | 574 56 90-06..... | 1 | DECAL, ROPS |
| 3.. | 539 10 57-45..... | 1 | DECAL, BATTERY WARNING | 16.. | 574 56 90-02..... | 1 | DECAL, ROPS WARNING |
| 4.. | 581 72 43-01..... | 2 | DECAL, NO STEP | 17.. | 574 45 50-01..... | 1 | DECAL, CROWN LG |
| 5.. | 539 10 57-46..... | 1 | DECAL, SEVERING | 18.. | 574 82 59-01..... | 1 | DECAL, SERVICE |
| 6.. | 539 10 33-33..... | 2 | DECAL, MOTION CONTROL | 19.. | 532 42 41-02..... | 1 | DECAL, SPARK ARRESTOR |
| 7.. | 584 90 46-01..... | 1 | DECAL, BLADE WARNING | 20.. | 574 81 55-01..... | 1 | DECAL, ZT-3400 |
| 8.. | 581 72 44-01..... | 1 | DECAL, DEFLECTOR | 21.. | 576 75 53 01..... | 1 | DECAL, HEIGHT |
| 9.. | 539 11 09-74..... | 2 | DECAL, TRACKING | 22.. | 576 76 38-01..... | 1 | DECAL, RELEASE LEVER |
| 10.. | 539 12 00-06..... | 1 | DECAL, PARK BRAKE | 23.. | 510 24 66-02..... | 1 | DECAL, CONTROL |
| 11.. | 539 10 79-59..... | 1 | DECAL, WARNING | 24.. | 576 75 52 07..... | 1 | DECAL, P-ZT54 |
| 12.. | 532 42 86-76..... | 1 | DECAL, CROWN H SM | 25.. | 577 15 01-01..... | 1 | DECAL, FUEL |
| 13.. | 532 42 91-96..... | 2 | DECAL, HUSQVARNA | 26.. | 539 12 13-22..... | 1 | FOOT PAD |

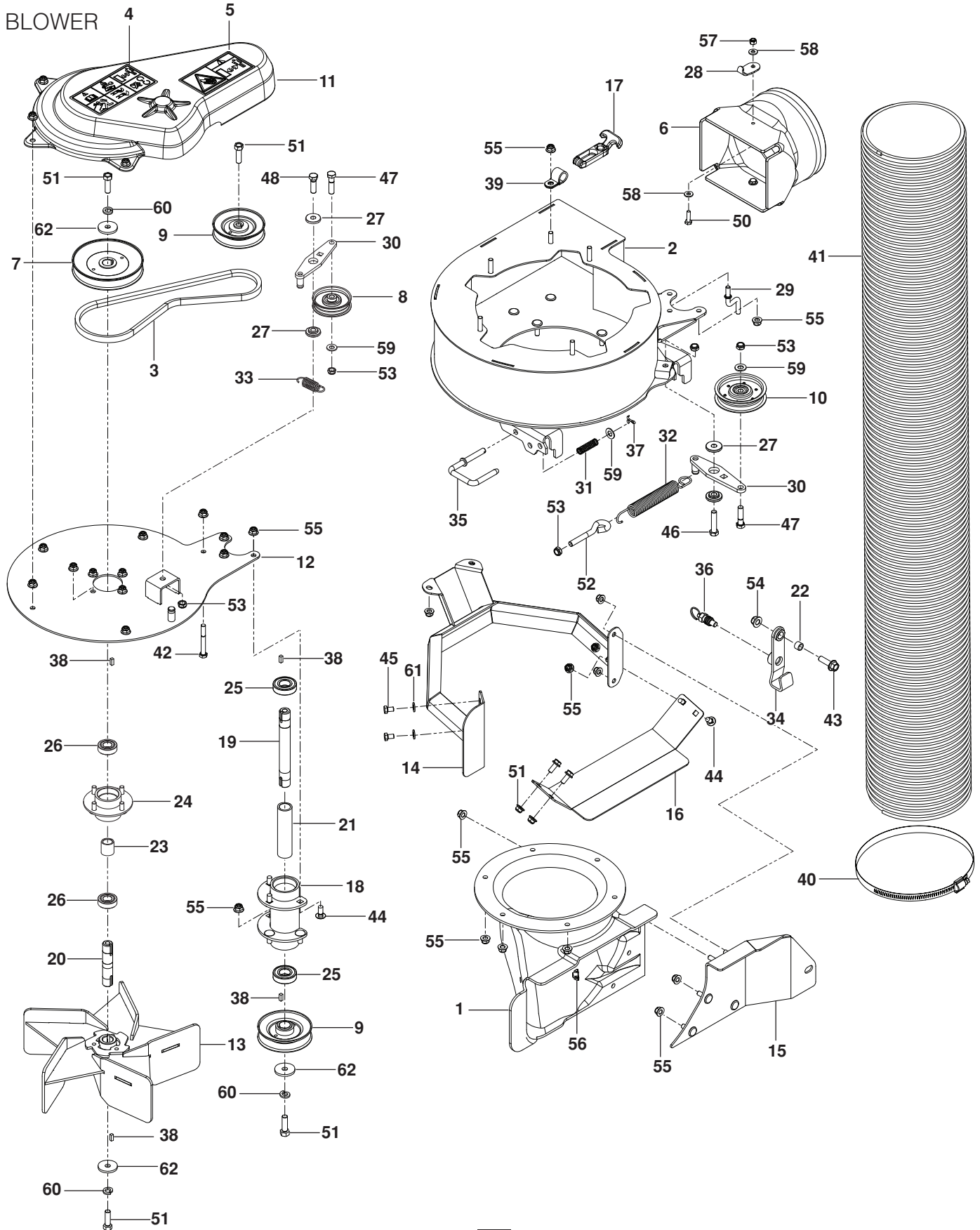
PROTECTION FRAME



PROTECTION FRAME

| ITEM | PART NO. | QTY. | DESCRIPTION | ITEM | PART NO. | QTY. | DESCRIPTION |
|------|-------------------|--------|---|------|-------------------|--------|---|
| 1.. | 574 38 80-01..... | 2..... | LATCH PIN w/ LANYARD | 5.. | 539 10 26-53..... | 4..... | WASHER ⁵ / ₈ STD FLAT |
| 2.. | 522 80 14-01..... | 4..... | BUMPER, MALE STUD ¹ / ₄ -20 | 6.. | 873 80 04-00..... | 4..... | NUT ¹ / ₄ -20 HEX NYLOC |
| 3.. | 539 20 07-15..... | 2..... | PIN, HAIR | 7.. | 525 82 91-01..... | 6..... | NUT ⁵ / ₈ -11 FLG NYLOC |
| 4.. | 580 75 46-01..... | 6..... | BOLT ⁵ / ₈ -11 x 3 ¹ / ₂ HEX HD | | | | |

ACCESSORIES

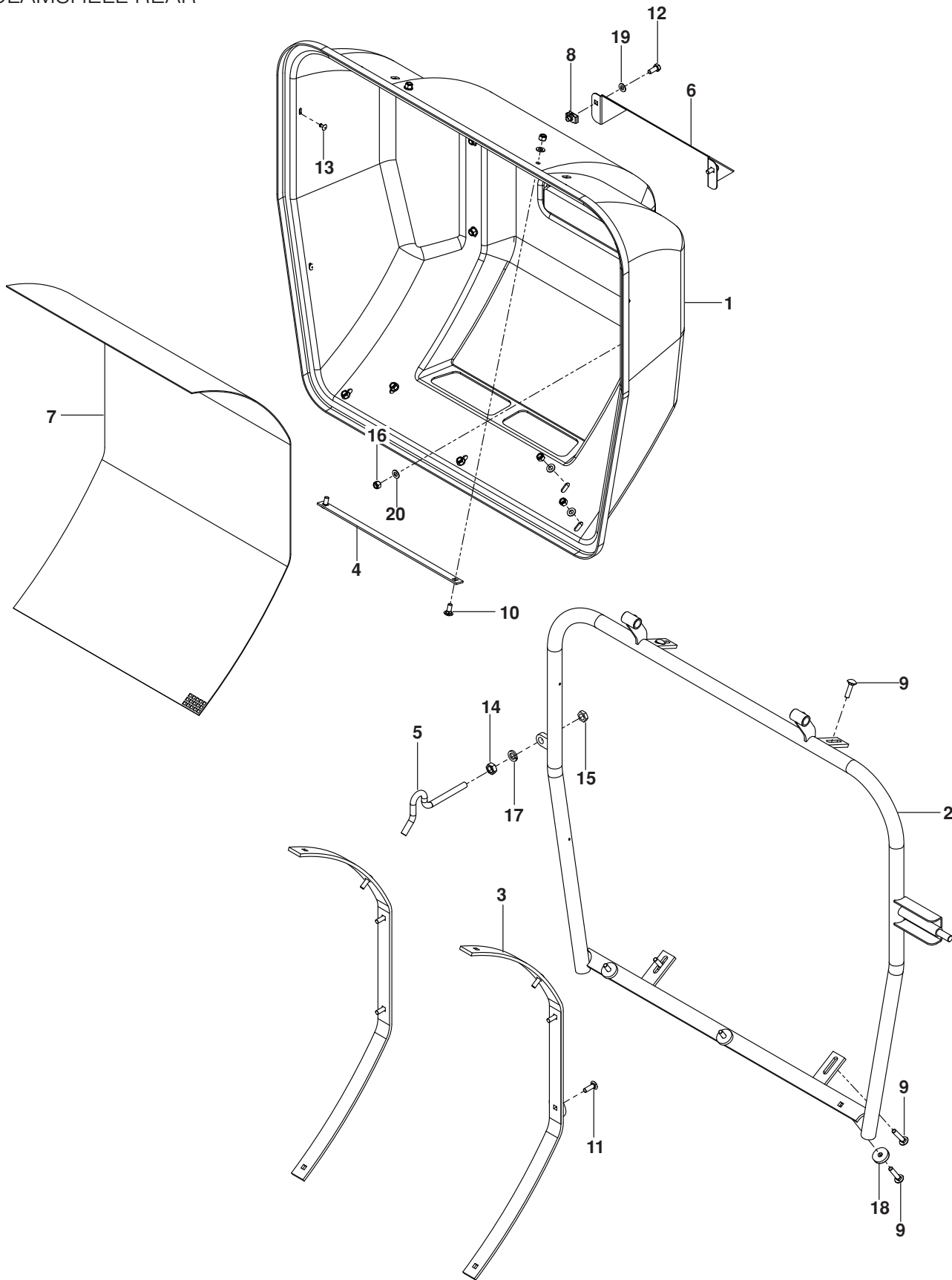


ACCESSORIES

| ITEM | PART NO. | QTY. | DESCRIPTION | ITEM | PART NO. | QTY. | DESCRIPTION |
|------|-------------------|------|------------------------|------|-------------------|------|--------------------------------|
| 1.. | 522 59 33-01..... | 1 | HOUSING, BLOWER LOWER | 32.. | 532 19 61-05..... | 1 | SPRING, DECK DRIVE |
| 2.. | 585 85 60-02..... | 1 | HOUSING, BLOWER UPPER | 33.. | 522 59 51-01..... | 1 | SPRING, IDLER |
| 3.. | 539 10 13-86..... | 1 | BELT | 34.. | 585 37 65-01..... | 1 | LATCH, RR LOWER |
| 4.. | 539 10 57-85..... | 1 | DECAL, WARNING | 35.. | 586 08 22-01..... | 2 | PIN, LATCH |
| 5.. | 539 10 67-41..... | 1 | DECAL, IMPELLER | 36.. | 585 37 68-01..... | 1 | PIN, SPRING |
| 6.. | 585 23 68-02..... | 1 | CONNECTOR, HOSE | 37.. | 539 97 68-99..... | 2 | PIN, COTTER 1/8 x 3/4 |
| 7.. | 539 13 03-24..... | 1 | PULLEY | 38.. | 539 11 56-67..... | 4 | KEY 3/16 x 1/2 |
| 8.. | 539 10 67-21..... | 1 | PULLEY, IDLER | 39.. | 539 10 26-85..... | 2 | CLAMP, TUBE |
| 9.. | 522 59 46-01..... | 2 | PULLEY, DRIVE | 40.. | 574 38 66-01..... | 1 | CLAMP, HOSE |
| 10.. | 579 60 46-01..... | 1 | PULLEY, IDLER | 41.. | 578 25 79-01..... | 1 | HOSE |
| 11.. | 585 37 38-01..... | 1 | SHIELD, BELT TOP | 42.. | 874 78 05-40..... | 1 | BOLT 5/16-18 x 2 1/2 |
| 12.. | 585 37 46-02..... | 1 | PLATE, TOP BLK | 43.. | 525 83 42-01..... | 1 | BOLT 3/8-16 x 1 1/4 HEX FLANGE |
| 13.. | 585 58 78-01..... | 1 | IMPELLER | 44.. | 872 14 05-06..... | 7 | BOLT 5/16-18 x 3/4 RD HD SQNK |
| 14.. | 585 37 57-02..... | 1 | GUARD, BLK | 45.. | 874 78 05-08..... | 2 | BOLT 5/16-18 x 1/2 |
| 15.. | 585 37 62-02..... | 1 | BRACKET, BLOWER RR BLK | 46.. | 539 97 69-49..... | 1 | BOLT 3/8-16 x 1 3/4 |
| 16.. | 585 37 64-02..... | 1 | SKID PLATE, BLK | 47.. | 874 78 06-24..... | 2 | BOLT 3/8-16 x 1 1/2 |
| 17.. | 586 18 47-01..... | 2 | LATCH, DRAW T-HANDLE | 48.. | 874 78 06-20..... | 1 | BOLT 3/8-16 x 1 1/4 |
| 18.. | 522 59 50-01..... | 1 | TUBE, SPINDLE | 49.. | 874 49 05-12..... | 1 | BOLT 5/16-18 x 3/4 |
| 19.. | 585 37 54-01..... | 1 | SHAFT, SPINDLE | 50.. | 539 99 06-43..... | 2 | SCREW 1/4-20 x 7/8 HEX CAP |
| 20.. | 585 37 56-01..... | 1 | SHAFT, IMPELLER | 51.. | 532 85 08-57..... | 4 | SCREW 3/8-24 x 1 1/4 HEX HD |
| 21.. | 585 37 55-01..... | 1 | SPACER | 52.. | 539 10 74-84..... | 1 | EYEBOLT 3/8-16 x 2 1/4 SPEC |
| 22.. | 579 61 33-01..... | 1 | SPACER | 53.. | 539 20 02-82..... | 5 | NUT 3/8-16 HEX NYLON THIN |
| 23.. | 585 37 53-01..... | 1 | SPACER | 54.. | 521 99 65-01..... | 1 | NUT 3/8-16 HEX FLG NYLOC |
| 24.. | 585 37 49-01..... | 1 | HOUSING, HUB | 55.. | 539 11 28-99..... | 38 | NUT 5/16-18 HEX FLG NYLOC |
| 25.. | 539 13 02-96..... | 2 | BEARING | 56.. | 539 13 03-13..... | 2 | NUT 5/16-18 TEE |
| 26.. | 585 37 52-01..... | 2 | BEARING | 57.. | 539 97 69-78..... | 2 | NUT 1/4-20 HEX NYLOC |
| 27.. | 539 13 21-61..... | 4 | BUSHING, BRAKE | 58.. | 819 09 10-16..... | 4 | WASHER |
| 28.. | 586 08 23-01..... | 2 | KEEPER, LATCH | 59.. | 819 13 13-16..... | 3 | WASHER FLAT |
| 29.. | 522 59 52-01..... | 1 | KEEPER, BELT | 60.. | 810 03 06-00..... | 4 | WASHER LOCK HVY 3/8 |
| 30.. | 522 59 48-02..... | 2 | IDLER, BLK | 61.. | 819 11 11-16..... | 2 | WASHER 16 GA |
| 31.. | 525 81 60-01..... | 1 | SPRING, COMPRESSION | 62.. | 532 14 02-96..... | 4 | WASHER, BLADE |

ACCESSORIES

CLAMSHELL REAR

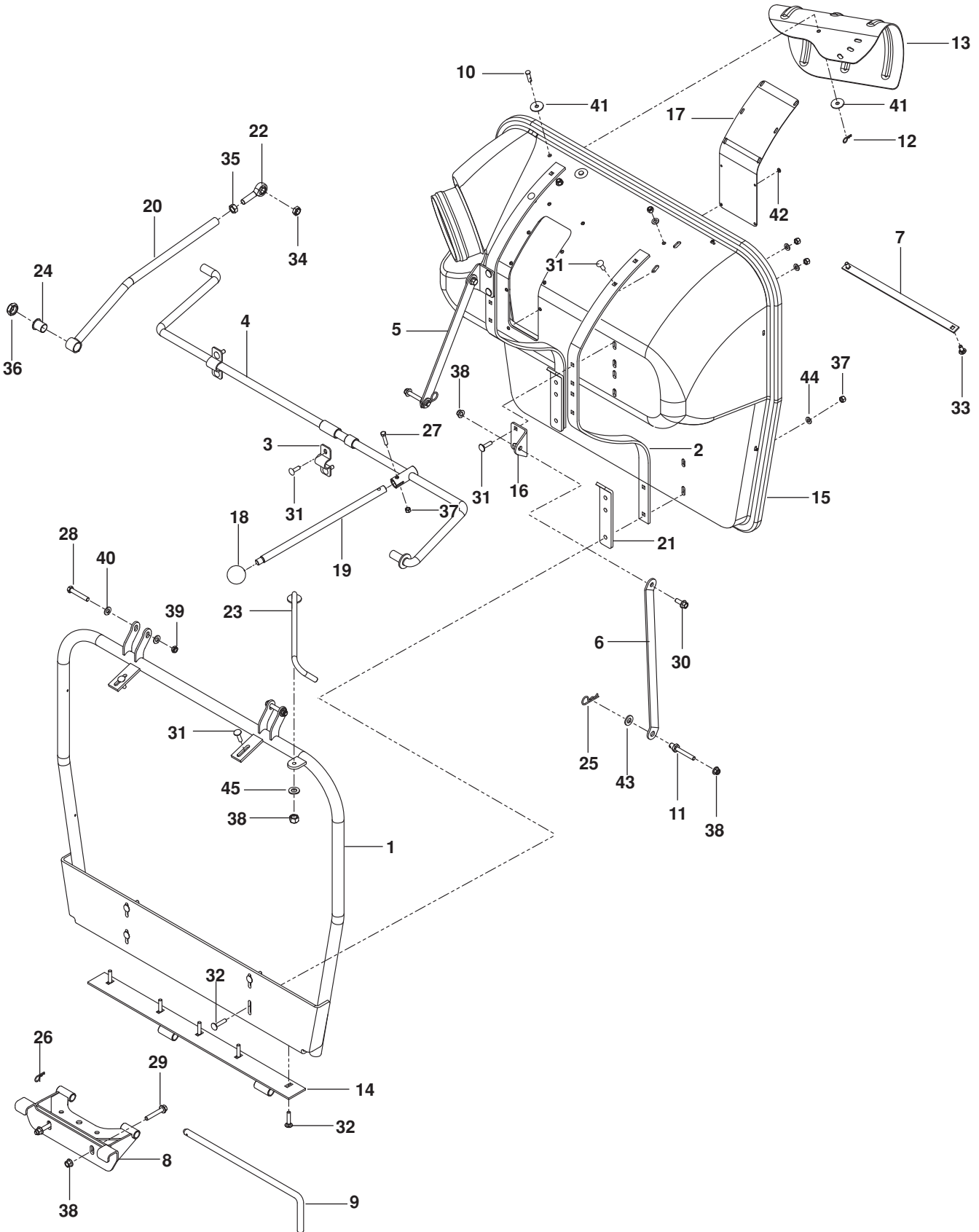


ACCESSORIES

| ITEM | PART NO. | QTY. | DESCRIPTION | ITEM | PART NO. | QTY. | DESCRIPTION |
|------|-------------------|------|---|------|-------------------|------|---|
| 1.. | 539 11 93-77..... | 1 | CLAMSHELL BACK | 11.. | 539 10 72-71..... | 6 | BOLT $\frac{5}{16}$ 18 x 1 RD HD SQNK |
| 2.. | 539 11 79-87..... | 1 | FRAME, REAR | 12.. | 539 99 02-06..... | 2 | BOLT $\frac{5}{16}$ -18 x $\frac{3}{4}$ |
| 3.. | 539 11 93-96..... | 2 | STRAP | 13.. | 539 11 94-13..... | 6 | RIVET |
| 4.. | 539 11 94-58..... | 1 | STRAP | 14.. | 539 11 56-09..... | 1 | NUT $\frac{1}{2}$ -13 THIN NYLOC |
| 5.. | 539 11 93-67..... | 1 | HOOK LATCH | 15.. | 539 99 06-25..... | 1 | NUT $\frac{1}{2}$ -13 HEX JAM |
| 6.. | 539 11 75-43..... | 1 | VENT, CLAMSHELL | 16.. | 539 99 07-17..... | 15 | NUT $\frac{5}{16}$ -18 NYLOC |
| 7.. | 581 53 29-01..... | 1 | SCREEN, VENT | 17.. | 539 99 02-54..... | 1 | WASHER $\frac{1}{2}$ LOCK |
| 8.. | 539 11 56-77..... | 2 | RETAINER, U TYPE | 18.. | 539 11 57-89..... | 3 | WASHER, NYLON |
| 9.. | 539 10 04-72..... | 7 | BOLT $\frac{5}{16}$ -18 x $1\frac{1}{4}$ RD HD SQNK | 19.. | 539 99 01-88..... | 2 | WASHER $\frac{5}{16}$ SAE |
| 10.. | 539 99 03-16..... | 2 | BOLT $\frac{5}{16}$ -18 x $\frac{3}{4}$ RD HD SQNK | 20.. | 539 99 06-92..... | 15 | WASHER $\frac{5}{16}$ STD |

ACCESSORIES

CLAMSHELL FRONT

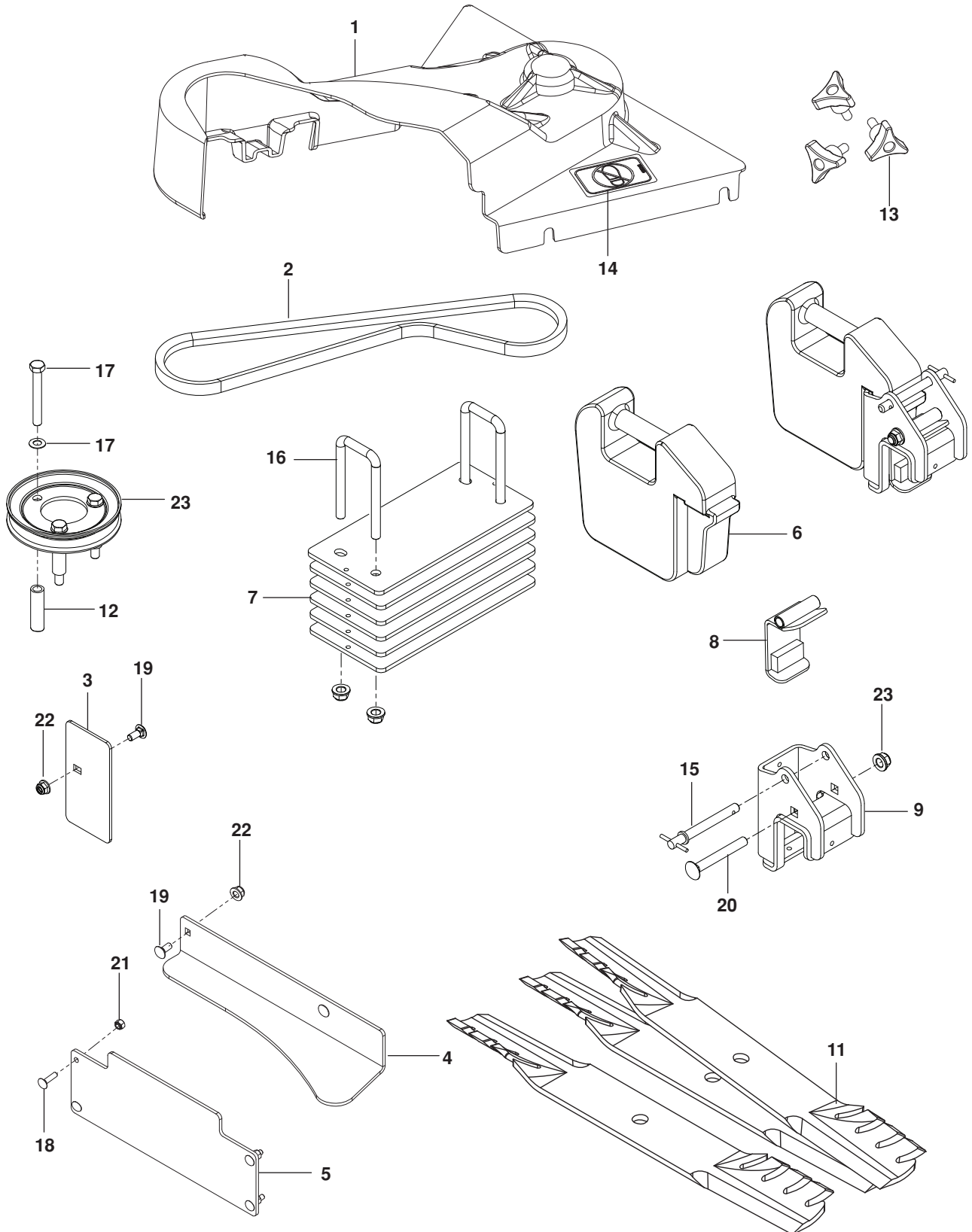


ACCESSORIES

| ITEM | PART NO. | QTY. | DESCRIPTION | ITEM | PART NO. | QTY. | DESCRIPTION |
|------|-------------------|------|-------------------------|------|-------------------|------|------------------------------|
| 1.. | 539 11 94-10..... | 1 | FRONT FRAME | 24.. | 539 11 59-72..... | 2 | BUSHING |
| 2.. | 539 11 94-09..... | 2 | STRAP | 25.. | 539 97 69-89..... | 2 | HAIRPIN 2½ |
| 3.. | 539 11 93-68..... | 2 | STRAP | 26.. | 539 11 55-01..... | 1 | HAIRPIN 1¾ |
| 4.. | 580 98 00-01..... | 1 | SHAFT, LIFT | 27.. | 539 97 69-35..... | 1 | BOLT 5/16-18 x 1½ |
| 5.. | 580 97 95-02..... | 1 | STRAP, MOUNTING, LT BLK | 28.. | 539 99 06-29..... | 2 | BOLT 3/8-18 x 2¼ |
| 6.. | 580 97 96-02..... | 1 | STRAP, MOUNTING, RT BLK | 29.. | 577 09 83-01..... | 2 | BOLT 3/8-16 x 2¼ HEX FLG GR8 |
| 7.. | 539 11 94-58..... | 1 | STRAP | 30.. | 525 61 28-01..... | 2 | BOLT 3/8-16 x 1 HEX FLG HD |
| 8.. | 580 97 91-02..... | 1 | HITCH, BLK | 31.. | 539 10 04-72..... | 12 | BOLT 5/16-18 x 1¼ RDHD SQNK |
| 9.. | 539 11 93-72..... | 1 | PIN, HINGE | 32.. | 539 10 29-33..... | 9 | BOLT 5/16-18 x 1½ RDHD SQNK |
| 10.. | 539 11 55-96..... | 2 | PIN 5/16 CLEVIS | 33.. | 539 99 03-16..... | 2 | BOLT 5/16-18 x ¾ RDHD SQNK |
| 11.. | 525 44 50-01..... | 2 | PIN, MOUNT | 34.. | 539 10 80-10..... | 1 | NUT ½-13 THIN NYLOC |
| 12.. | 532 00 49-39..... | 2 | PIN, RETAINER | 35.. | 539 10 87-63..... | 1 | NUT ½-20 JAM |
| 13.. | 539 11 94-33..... | 1 | DEFLECTOR | 36.. | 522 84 26-01..... | 1 | NUT ¾-16 THIN NYLOC |
| 14.. | 539 11 47-79..... | 1 | MOUNT, LOWER | 37.. | 539 99 07-17..... | 23 | NUT 5/16-18 NYLOC |
| 15.. | 580 97 83-01..... | 1 | CLAMSHELL, FRONT | 38.. | 521 99 65-01..... | 6 | NUT 3/8-16 HEX FLG NYLOC |
| 16.. | 580 97 97-02..... | 2 | BRACKET, MOUNTING | 39.. | 539 20 02-82..... | 2 | NUT 3/8-16 HEX JAM NYLOC |
| 17.. | 539 11 54-41..... | 1 | WINDOW | 40.. | 539 99 01-22..... | 4 | WASHER 3/8 SAE FLT |
| 18.. | 580 98 06-01..... | 1 | KNOB, BLK | 41.. | 539 11 54-95..... | 4 | WASHER 11/32 |
| 19.. | 580 98 05-01..... | 1 | ARM, DUMP | 42.. | 539 11 00-33..... | 10 | WASHER |
| 20.. | 539 11 48-16..... | 1 | ARM, LIFT | 43.. | 539 99 02-50..... | 2 | WASHER, SAE |
| 21.. | 539 11 79-88..... | 2 | PLATE, SPACER | 44.. | 539 99 06-92..... | 23 | WASHER 5/16 STD |
| 22.. | 539 11 72-44..... | 1 | ROD END | 45.. | 539 99 01-88..... | 1 | WASHER 5/16 SAE |
| 23.. | 539 11 48-16..... | 1 | LINKAGE, LATCH | | | | |

ACCESSORIES

WEIGHTS, GUARDS, BLADES

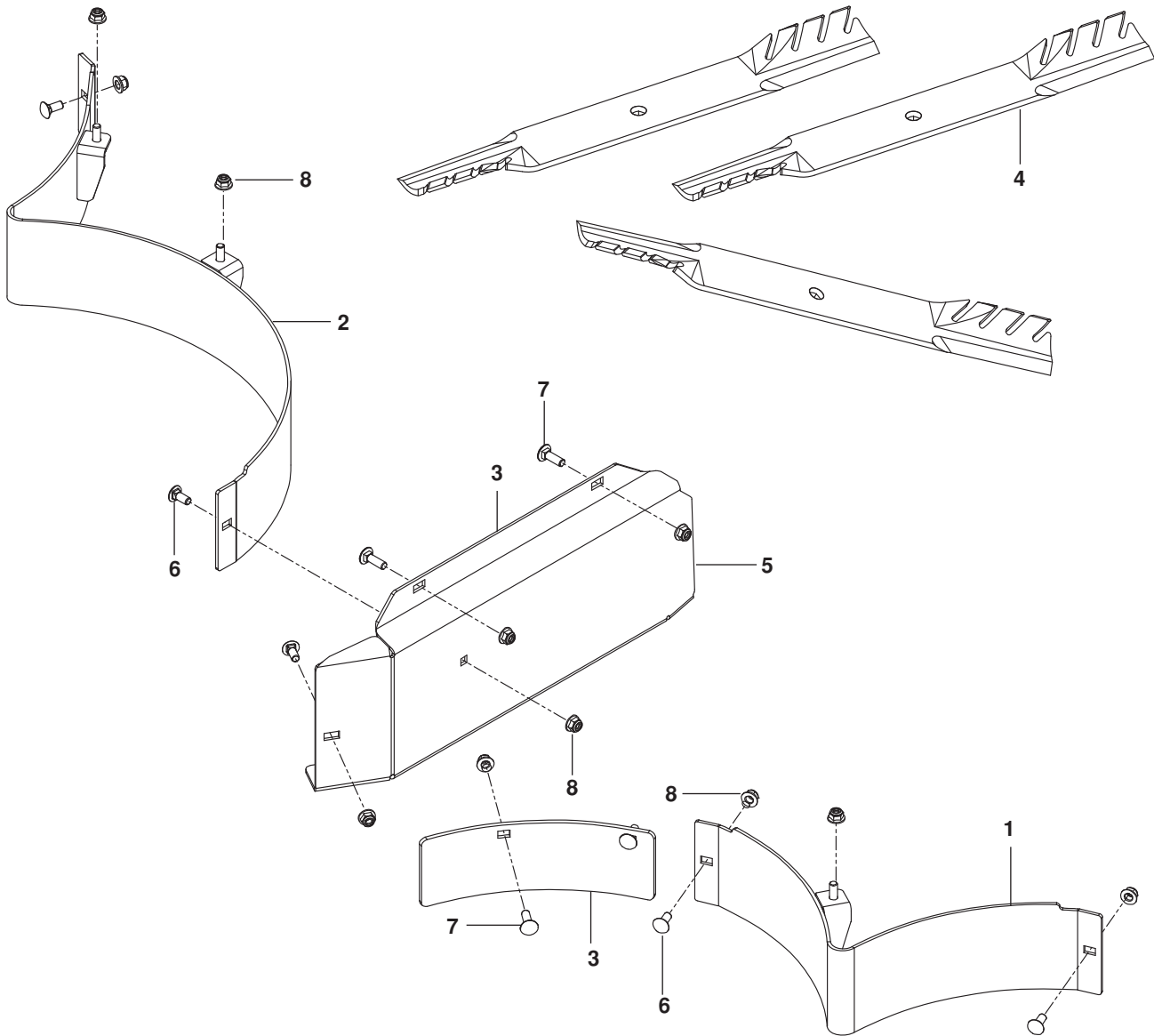


ACCESSORIES

| ITEM | PART NO. | QTY. | DESCRIPTION | ITEM | PART NO. | QTY. | DESCRIPTION |
|------|-------------------|---------|----------------------|------|-------------------|---------|--|
| 1.. | 522 59 58-02..... | 1 | SHIELD, BELT, 54" | 13.. | 539 10 44-11..... | 3 | KNOB w/ STUD |
| 2.. | 539 10 04-39..... | 1 | BELT, BLOWER 54" | 14.. | 539 10 57-43..... | 1 | DECAL, NO STEP |
| 3.. | 525 79 87-01..... | 1 | PLATE, BLOCK OFF | 15.. | 575 50 99-01..... | 2 | PIN, DETENT |
| 4.. | 575 59 41-02..... | 1 | BAFFLE, RT | 16.. | 575 88 06-01..... | 2 | U BOLT |
| 5.. | 575 59 36-02..... | 1 | BAFFLE, LT | 17.. | 539 99 10 46..... | 3 | BOLT $\frac{5}{16}$ -18 x 2 $\frac{1}{2}$ |
| 6.. | 539 09 25-31..... | 2 | WEIGHT CAST, FRONT | 18.. | 539 10 98-00..... | 4 | BOLT $\frac{1}{4}$ -20 x 1 RD HD SQNK |
| 7.. | 575 88 05-01..... | 6 | WEIGHT PLATE | 19.. | 539 99 03-16..... | 3 | BOLT $\frac{5}{16}$ -18 x $\frac{3}{4}$ RD HD SQNK |
| 8.. | 575 50 95-01..... | 2 | LATCH | 20.. | 539 10 84-84..... | 2 | BOLT $\frac{1}{2}$ -13 x 4 RD HD SQNK |
| 9.. | 575 50 98-02..... | 2 | BRACKET, WEIGHT, BLK | 21.. | 539 97 69-78..... | 4 | NUT $\frac{1}{4}$ -20 HEX NYLOC |
| 10.. | 522 59 45-02..... | 1 | PULLEY, DRIVE 54" | 22.. | 539 11 28-99..... | 3 | NUT $\frac{5}{16}$ -18 HEX FLG NYLOC |
| 11.. | 525 52 59-01..... | 3 | BLADE, GATOR 54" | 23.. | 521 99 11-01..... | 6 | NUT $\frac{1}{2}$ -13 HEX FLG NYLOC |
| 12.. | 573 98 27-01..... | 3 | SPACER, PULLEY | 24.. | 539 10 96-00..... | 3 | WASHER $\frac{5}{16}$ DISC SPRING |

ACCESSORIES

MULCH KIT



| ITEM | PART NO. | QTY. | DESCRIPTION |
|------|----------|------|-------------|
|------|----------|------|-------------|

- | | | | |
|-----|-------------------|---|------------------------|
| 1.. | 525 52 54-02..... | 1 |BAFFLE, MULCH LH |
| 2.. | 525 52 55-02..... | 1 |BAFFLE, MULCH RH |
| 3.. | 525 52 58-02..... | 1 |BAFFLE, LH CORNER |
| 4.. | 525 52 59-01..... | 3 |BLADE, 19" GATOR |

| ITEM | PART NO. | QTY. | DESCRIPTION |
|------|----------|------|-------------|
|------|----------|------|-------------|

- | | | | |
|-----|-------------------|----|---|
| 5.. | 525 53 39-02..... | 1 |CAP, MULCH |
| 6.. | 539 99 03-16..... | 5 |BOLT $\frac{5}{16}$ -18 x $\frac{3}{4}$ RD HD SQNK |
| 7.. | 539 99 02-08..... | 4 |BOLT $\frac{5}{16}$ -18 x 1 RD HD SQNK |
| 8.. | 539 11 28-99..... | 12 |NUT $\frac{5}{16}$ -18 HEX FLG NYLOC |

www.husqvarna.com

115 71 07-27 Rev A
2014-08-01