

Gasoline containing up to 10% ethanol (E10) is acceptable for use in this machine. The use of any gasoline exceeding 10% ethanol (E10) will void the product warranty.

Parts Manual

Z 246 / 967324001



Please read the operator manual carefully and make sure you understand the instructions before using the machine.

When you need spare parts or support in service questions, warranty issues, etc., please consult the following professional:

This manual belongs to the machine with the manufacturing number:	Engine	Transmission

Manufacturing Number

The machine's manufacturing number can be found on the printed plate affixed to the engine compartment.

Stated on the plate, from the top are:

- The machine's type designation (I.D.).
- The manufacturer's type number (Model).
- The machine's serial number (Serial no.)

Please have the type designation and serial number available when ordering spare parts.

The engine's manufacturing number is stamped on one of the valve covers.

The plate states:

- The engine's model.
- The engine's type.
- Code

Please have these available when ordering spare parts.

The wheel motors and hydrostatic pumps have a barcode decal affixed at the rear.

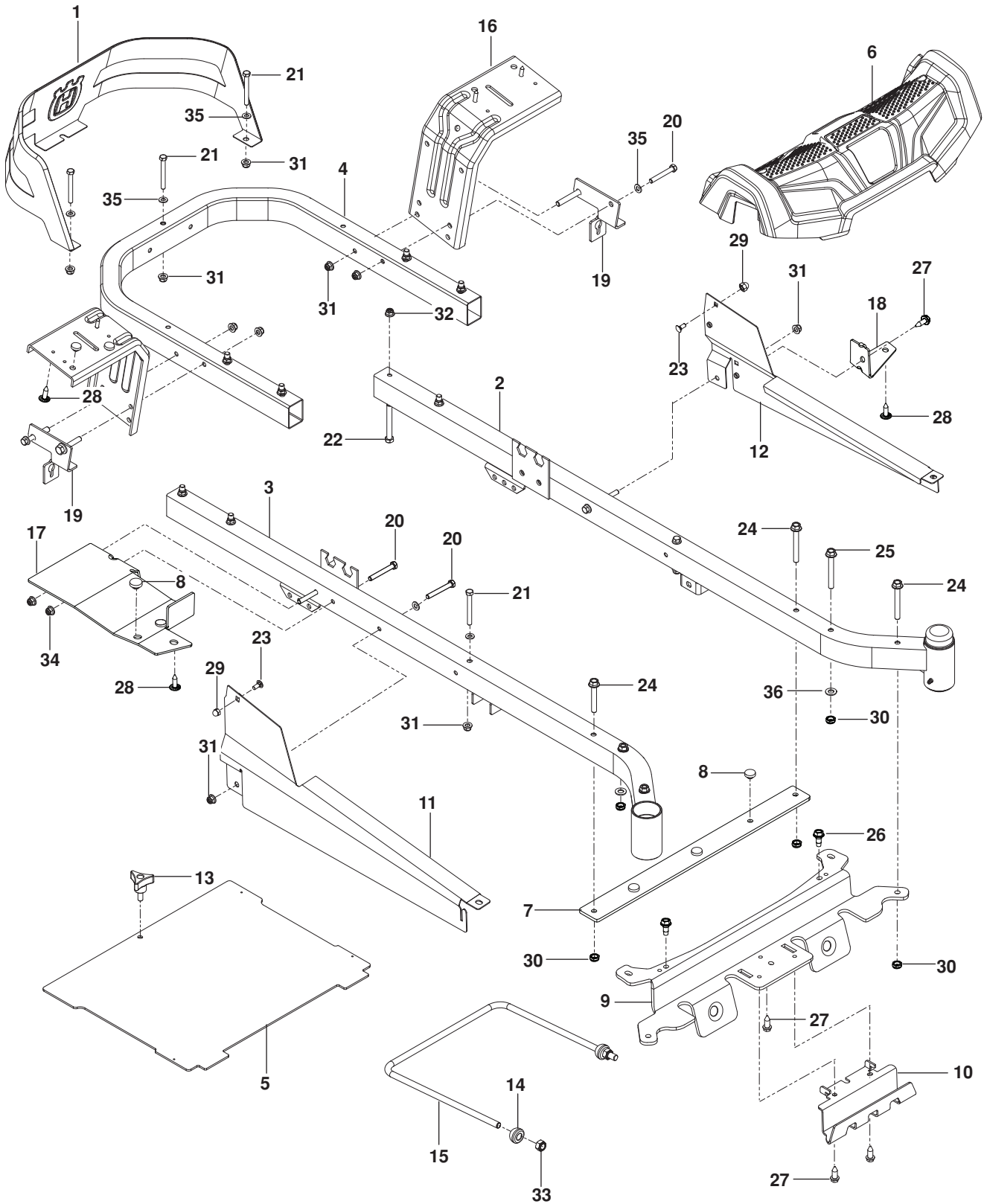
CONTENTS

FRAME.....	4
ENGINE PLATE.....	6
STEERING	8
IGNITION.....	10
BRAKE / LIFT.....	12
HYDRAULIC PUMP - MOTOR.....	14
WHEELS AND TIRES.....	16
MOWER DECK / CUTTING DECK.....	18
SEAT	20
DECALS.....	22

Illustrations may or may not represent the actual assemblies and it is not recommended to use this manual as a guide to assemble or disassemble the mower.

NOTE: All fasteners are Grade 5 unless otherwise specified.

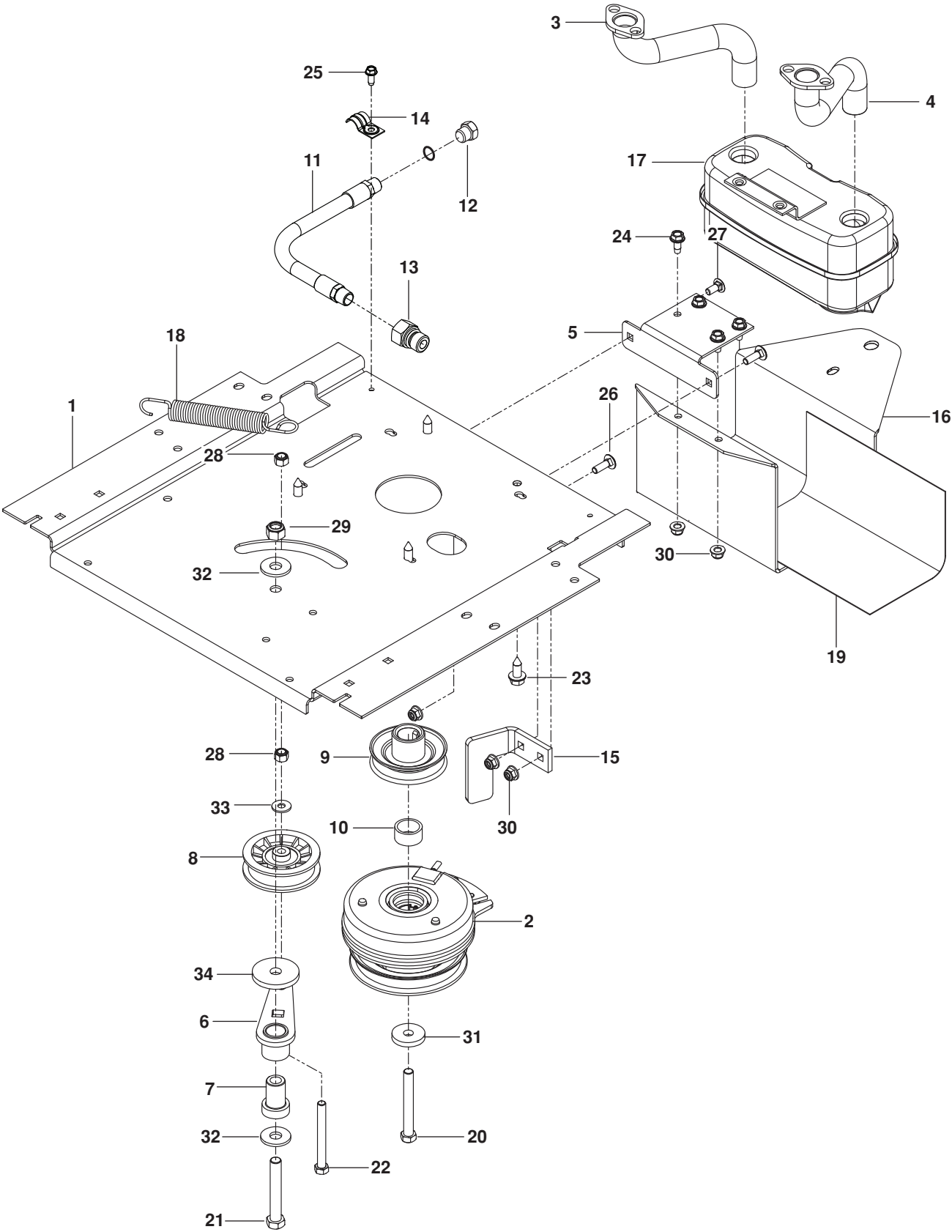
FRAME



FRAME

ITEM	PART NO.	QTY.	DESCRIPTION	ITEM	PART NO.	QTY.	DESCRIPTION
1..	585 03 98-02.....	1	GUARD, REAR BLK	19..	585 47 43-02.....	2	BRACKET, BYPASS ROD
2..	510 17 75-03.....	1	FRAME, FRONT RT ORG	20..	874 78 05-36.....	8	BOLT $\frac{5}{16}$ -18 x 2 $\frac{1}{4}$
3..	510 17 74-03.....	1	FRAME, FRONT LT ORG	21..	874 78 05-44.....	5	BOLT $\frac{5}{16}$ -18 x 2 $\frac{3}{4}$
4..	584 99 10-02.....	1	FRAME, REAR TUBE ORG	22..	874 78 06-48.....	8	BOLT $\frac{3}{8}$ -16 x 3
5..	522 84 29-02.....	1	FOOT PLATE w/ SAFETY DECAL	23..	585 94 00-01.....	2	BOLT $\frac{5}{16}$ -18 x 1 CARRIAGE
6..	585 52 24-01.....	1	COVER, FOOTREST	24..	577 11 77-01.....	4	BOLT $\frac{3}{8}$ -16 x 3
7..	585 52 30-04.....	1	SUPPORT, FOOTREST	25..	586 65 43-01.....	2	BOLT $\frac{3}{8}$ -16 x 3 SHOULDER
8..	585 98 93-01.....	7	GROMMET, BUMPER	26..	586 88 11-01.....	2	BOLT $\frac{5}{16}$ -18 SHOULDER
9..	585 52 31-04.....	1	CROSS MEMBER	27..	817 00 05-10.....	4	SCREW $\frac{5}{16}$ -18 x $\frac{5}{8}$ WSH HD
10..	585 52 32-02.....	1	PLATE, SKID	28..	532 41 63-58.....	6	SCREW #10-24 x $\frac{3}{4}$ HEX HD
11..	585 33 16-02.....	1	COVER, RAIL RT	29..	585 93 81-01.....	2	NUT $\frac{5}{16}$ -18 ACORN
12..	585 33 15-02.....	1	COVER, RAIL LT	30..	539 20 02-82.....	6	NUT $\frac{3}{8}$ -16 HEX JAM NYLOC
13..	539 10 44-11.....	1	KNOB w/ STUD	31..	539 11 28-99.....	9	NUT $\frac{5}{16}$ -18 HEX FLG NYLOC
14..	532 19 52-63.....	2	BUSHING, PIVOT	32..	521 99 65-01.....	8	NUT $\frac{3}{8}$ -16 HEX FLG NYLOC
15..	521 93 81-01.....	1	LINK, FRONT SUSPENSION	33..	539 11 91-24.....	2	NUT $\frac{7}{16}$ -14 HEX NYLOC
16..	580 50 13-02.....	2	SUPPORT, FENDER BLK	34..	873 90 05-00.....	2	NUT $\frac{5}{16}$ -18 HEX FLG LCK
17..	585 52 34-04.....	1	SUPPORT, CONSOLE RT	35..	819 11 11-16.....	11	WASHER $\frac{5}{16}$ SAE FLT
18..	585 52 36-04.....	1	SUPPORT, CONSOLE LT	36..	819 14 16-14.....	2	WASHER $\frac{3}{8}$ STD FLT

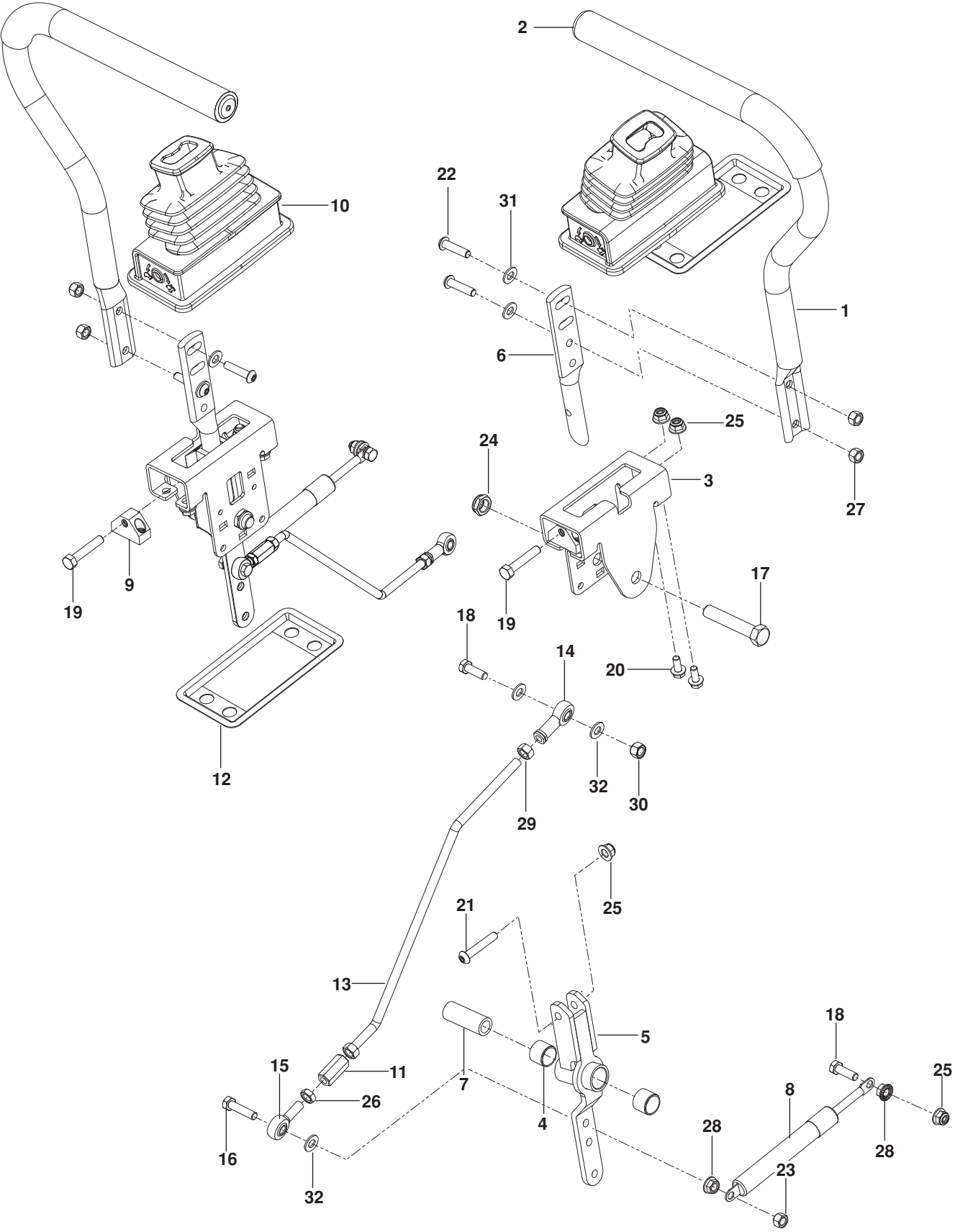
ENGINE PLATE



ENGINE PLATE

ITEM	PART NO.	QTY.	DESCRIPTION	ITEM	PART NO.	QTY.	DESCRIPTION
1..	532 44 81-61.....	1	PLATE, ENGINE BLK	18..	532 19 61-05.....	1	SPRING, DECK DRIVE
2..	585 52 11-01.....	1	CLUTCH	19..	539 13 28-59.....	1	SHIELD, MUFFLER
3..	583 95 57-01.....	1	TUBE, EXHAUST RT	20..	581 33 28-04.....	1	BOLT $\frac{7}{16}$ -20 x $3\frac{1}{2}$
4..	583 95 56-01.....	1	TUBE, EXHAUST LT	21..	874 78 08-52.....	1	BOLT $\frac{1}{2}$ -13 x $3\frac{1}{4}$
5..	581 88 67-02.....	1	BRACKET, MUFFLER BLK	22..	874 52 06-56.....	1	BOLT $\frac{3}{8}$ -16 x $3\frac{1}{2}$
6..	532 44 81-45.....	1	ARM, IDLER	23..	817 12 06-16.....	4	SCREW $\frac{3}{8}$ -16 x 1 THD FRM
7..	539 10 12-31.....	1	SPINDLE, IDLER	24..	817 49 05-12.....	4	SCREW $\frac{5}{16}$ -18 x $\frac{3}{4}$ THD FRM
8..	539 11 03-11.....	1	PULLEY, IDLER	25..	817 49 04-10.....	1	SCREW $\frac{1}{4}$ -20 x $\frac{5}{8}$ THD FRM
9..	539 11 45-30.....	1	PULLEY, ENGINE	26..	872 14 05-08.....	2	BOLT $\frac{5}{16}$ -18 x 1 RD HD SQNK
10..	539 11 22-52.....	1	SPACER	27..	872 14 05-06.....	1	BOLT $\frac{5}{16}$ -18 x $\frac{3}{4}$ RD HD SQNK
11..	584 82 55-01.....	1	HOSE, DRAIN	28..	539 97 69-79.....	2	NUT $\frac{3}{8}$ -16 HEX NYLOC
12..	585 80 71-01.....	1	PLUG, OIL	29..	873 80 08-00.....	1	NUT $\frac{1}{2}$ -13 HEX NYLOC
13..	522 59 90-01.....	1	ADAPTER, OIL DRAIN	30..	539 11 28-99.....	5	NUT $\frac{5}{16}$ -18 HEX FLG NYLOC
14..	539 10 13-63.....	1	CLAMP	31..	532 12 61-97.....	1	WASHER, CLUTCH
15..	510 24 60-01.....	1	STOP, CLUTCH BLK	32..	819 18 22-12.....	2	WASHER $\frac{1}{2}$ FLT
16..	584 98 98-02.....	1	GUARD, MUFFLER BLK	33..	819 12 14-14.....	2	WASHER $\frac{5}{16}$ STD FLT
17..	539 13 16-04.....	1	ASSY, MUFFLER	34..	539 11 26-70.....	1	WASHER, HEAVY

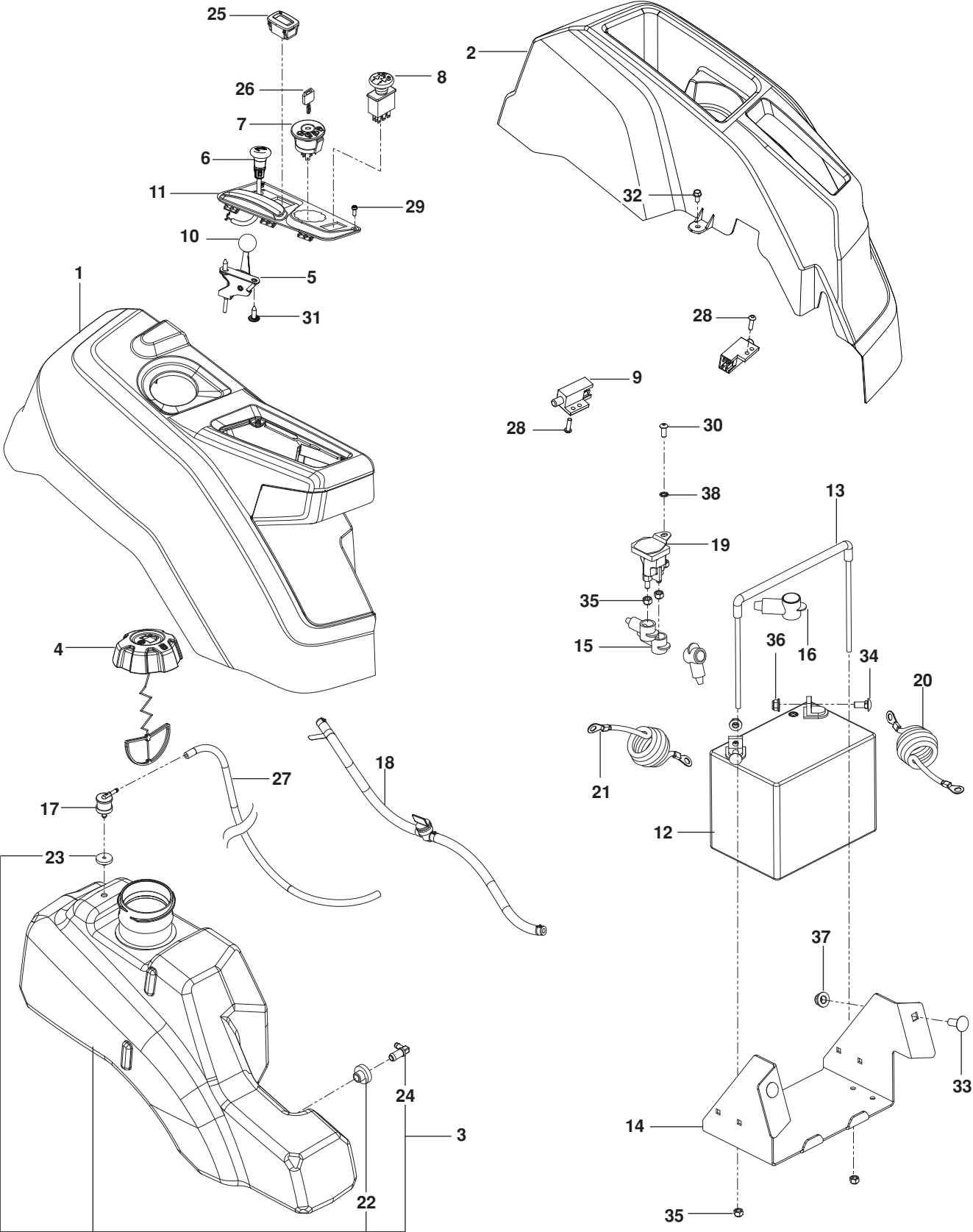
STEERING



STEERING

ITEM	PART NO.	QTY.	DESCRIPTION	ITEM	PART NO.	QTY.	DESCRIPTION
1..	581 82 67-01.....	2.....	LEVER w/ GRIP	17..	874 78 08-44.....	2.....	BOLT 1/2-13 x 2 3/4
2..	525 39 29-01.....	2.....	GRIP, FOAM	18..	874 78 05-16.....	4.....	BOLT 5/16-18 x 1 THD FRM
3..	585 12 47-02.....	2.....	BRACKET, CONTROL	19..	585 98 61-01.....	2.....	BOLT 5/16-18 x 1 1/4
4..	532 43 82-82.....	4.....	BEARING	20..	874 49 05-12.....	8.....	BOLT 5/16-18 X 3/4 HEX FLG
5..	586 02 92-02.....	2.....	LEVER, CONTROL	21..	576 85 04-02.....	2.....	SCREW 5/16-18 X 1 3/4 BTN HD
6..	577 42 00-01.....	2.....	LEVER, HANDLE	22..	585 98 59-01.....	4.....	SCREW 5/16-18 X 1 1/4 BTN HD BLK
7..	584 92 72-01.....	2.....	SPACER, PIVOT CONTROL	23..	873 80 05-00.....	2.....	NUT 5/16-18 HEX NYLOC
8..	539 10 27-20.....	2.....	DAMPENER	24..	539 10 80-10.....	2.....	NUT 1/2-13 HEX JAM NYL GR2
9..	581 43 75-01.....	2.....	BLOCK, TRACKING	25..	539 11 28-99.....	12.....	NUT 5/16-18 HEX FLG NYLOC
10..	585 83 16-01.....	2.....	BOOT, STEERING	26..	873 70 05-00.....	2.....	NUT 5/16-24 HEX JAM LH
11..	539 11 66-89.....	2.....	COUPLER, ROD END	27..	585 98 60-01.....	4.....	NUT 5/16-18 HEX NYLOC BLK
12..	585 48 82-02.....	2.....	FLANGE, BOOT	28..	539 99 05-85.....	4.....	NUT 5/16-18 HEX WHIZLK
13..	580 62 42-01.....	2.....	ROD, MOTION CONTROL	29..	539 99 02-23.....	4.....	NUT 5/16-24 HEX
14..	539 11 57-29.....	2.....	ROD END RH	30..	539 11 56-17.....	2.....	NUT 5/16-18 THIN NYLOC
15..	539 11 66-90.....	2.....	ROD END MALE LH	31..	586 30 91-01.....	4.....	WASHER 5/16 SAE FLT BLK
16..	874 78 05-28.....	2.....	BOLT 5/16-18 x 1 1/4 TPBLT	32..	819 11 11-16.....	6.....	WASHER 5/16 SAE FLT

IGNITION



IGNITION

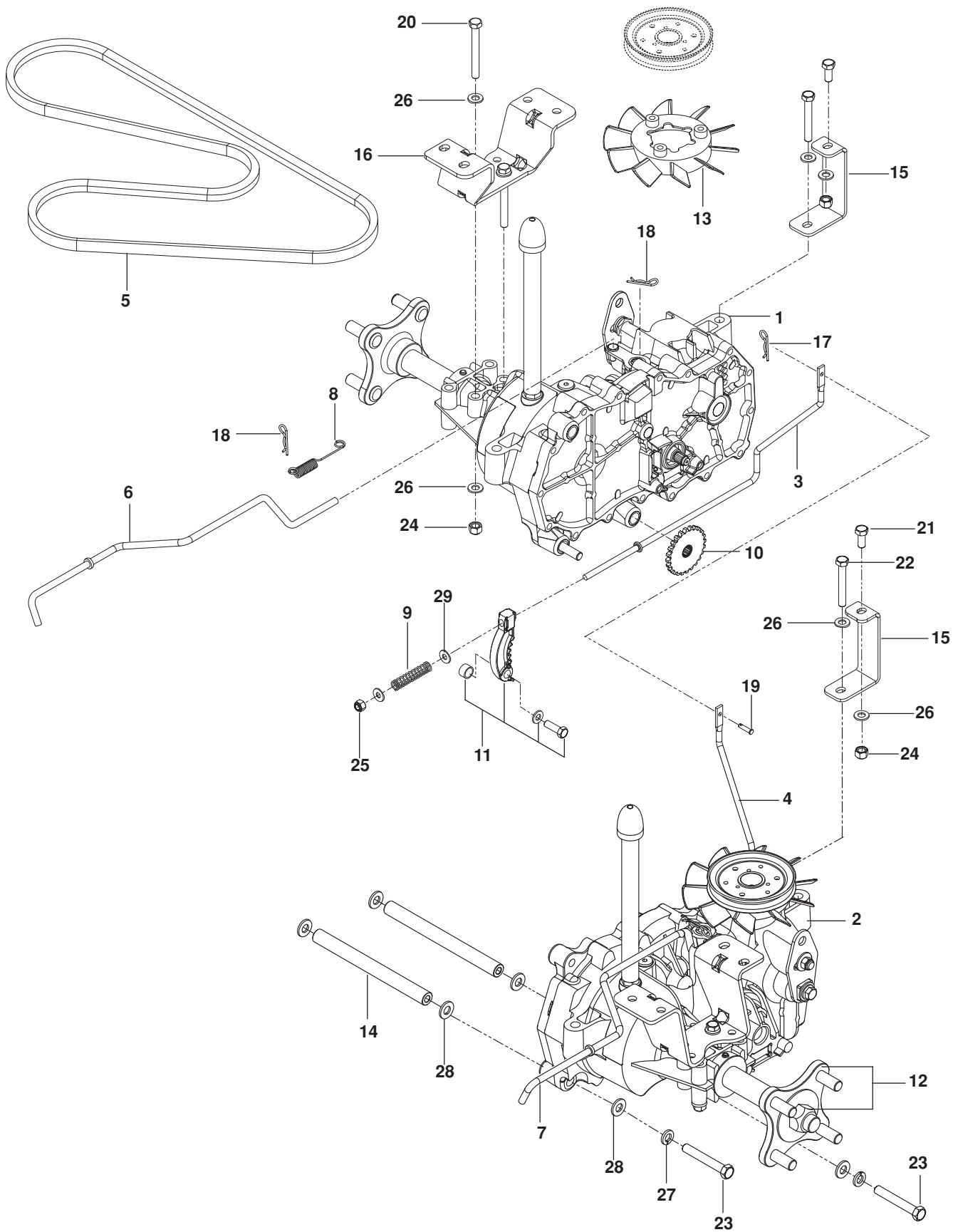
ITEM	PART NO.	QTY.	DESCRIPTION
1..	585 52 28-01.....	1	ASSY, FENDER, RT GRY
2..	585 52 29-01.....	1	FENDER, LT GRY
3..	578 18 06-02.....	1	ASSY, FUEL TANK
4..	585 12 48-01.....	1	CAP, FUEL w/ TETHER
5..	539 11 24-38.....	1	CABLE, THROTTLE
6..	586 88 15-01.....	1	CONTROL, CHOKE
7..	539 10 75-41.....	1	SWITCH, IGNITION
8..	532 17 46-52.....	1	SWITCH, CLUTCH
9..	532 10 95-53.....	2	SWITCH, INTERLOCK
10..	539 13 30-49.....	1	KNOB
11..	585 52 27-01.....	1	PANEL, CONTROL
12..	539 10 24-36.....	1	BATTERY
13..	539 13 12-09.....	1	TIE DOWN, BATTERY
14..	585 04 87-02.....	1	BOX, BATTERY BLK
15..	532 13 15-63.....	3	TERMINAL COVER
16..	539 10 27-59.....	1	INSULATOR
17..	576 61 81-01.....	1	VALVE, FUEL CHECK
18..	586 12 39-06.....	1	ASSY, FUEL LINE w/ VALVE
19..	532 19 25-07.....	1	SOLENOID
20..	539 11 00-68.....	1	CABLE, NEGATIVE BLK

ITEM	PART NO.	QTY.	DESCRIPTION
21..	539 10 33-06.....	2	CABLE, POSITIVE RED
22..	532 00 36-45.....	1	GROMMET, RUBBER
23..	532 43 74-92.....	1	GROMMET, CHECK VALVE
24..	532 13 92-77.....	1	ELBOW
25..	586 16 18-01.....	1	METER, SERVICE
26..	532 14 04-01.....	1	KEY, IGNITION
27..	587 04 45-51.....	1	HOSE ³ / ₁₆ x 51" PURGE
28..	586 93 60-01.....	2	SCREW #10-24 x 1/2 SKT HD
29..	545 22 71-01.....	2	SCREW 6-19 x 7/16 PAN HD
30..	539 11 12-29.....	1	SCREW 1/4-20 x 5/8 BTN SKT
31..	532 14 18-41.....	2	SCREW 10-16 x .65
32..	817 49 04-08.....	2	BOLT 1/4-20 x 1/2
33..	539 99 06-45.....	2	BOLT 3/8-16 x 1 RDHD SQNK
34..	872 14 05-06.....	2	BOLT 5/16-18 x 3/4 RDHD SQNK
35..	873 80 04-00.....	5	NUT 1/4-20 HEX NYLOC
36..	539 11 28-99.....	2	NUT 5/16-18 FLANGE NYLOC
37..	521 99 65-01.....	2	NUT 3/8-16 HEX FLG NYLOC
38..	539 99 00-53.....	1	WASHER 1/4 ITLW
NOT SHOWN			
	586 33 73-01	1	HARNESS, WIRING

BRAKE / LIFT

ITEM	PART NO.	QTY.	DESCRIPTION	ITEM	PART NO.	QTY.	DESCRIPTION
1..	586 42 97-02.....	1	SHAFT, LIFT	13..	532 19 42-09.....	1	CLIP
2..	586 45 71-01.....	1	LINK, BRAKE LT	14..	532 17 59-94.....	2	NUT, LIFT LINK
3..	586 45 72-01.....	1	LINK, BRAKE RT	15..	510 18 49-01.....	4	NUT, PLASTIC
4..	586 42 87-01.....	1	HANDLE, LIFT	16..	585 68 21-01.....	2	BRACKET, BELLCRANK
5..	525 84 72-01.....	2	LINK, REAR SUSPENSION	17..	586 45 74-01.....	1	BELLCRANK LT
6..	532 19 51-85.....	2	ARM, SUSPENSION RR	18..	586 45 75-01.....	1	BELLCRANK RT
7..	522 85 86-01.....	2	BRACKET, CENTERING LNK	19..	585 68 20-01.....	2	PUSHROD
8..	532 44 50-60.....	1	GRIP, HANDLE	20..	580 48 61-01.....	2	SPACER
9..	586 86 76-01.....	1	SPRING	21..	585 70 14-01.....	2	PIN ½ CLEVIS
10..	532 19 63-14.....	1	SPRING	22..	532 19 85-76.....	2	HAIRPIN
11..	812 00 00-02.....	1	E-RING	23..	532 13 77-29.....	2	SCREW ¼-20 x 5/8 THD ROLL
12..	532 19 42-08.....	4	CLIP	24..	586 56 13-01.....	2	SCREW ¼-20 x 2¼ THD ROLL

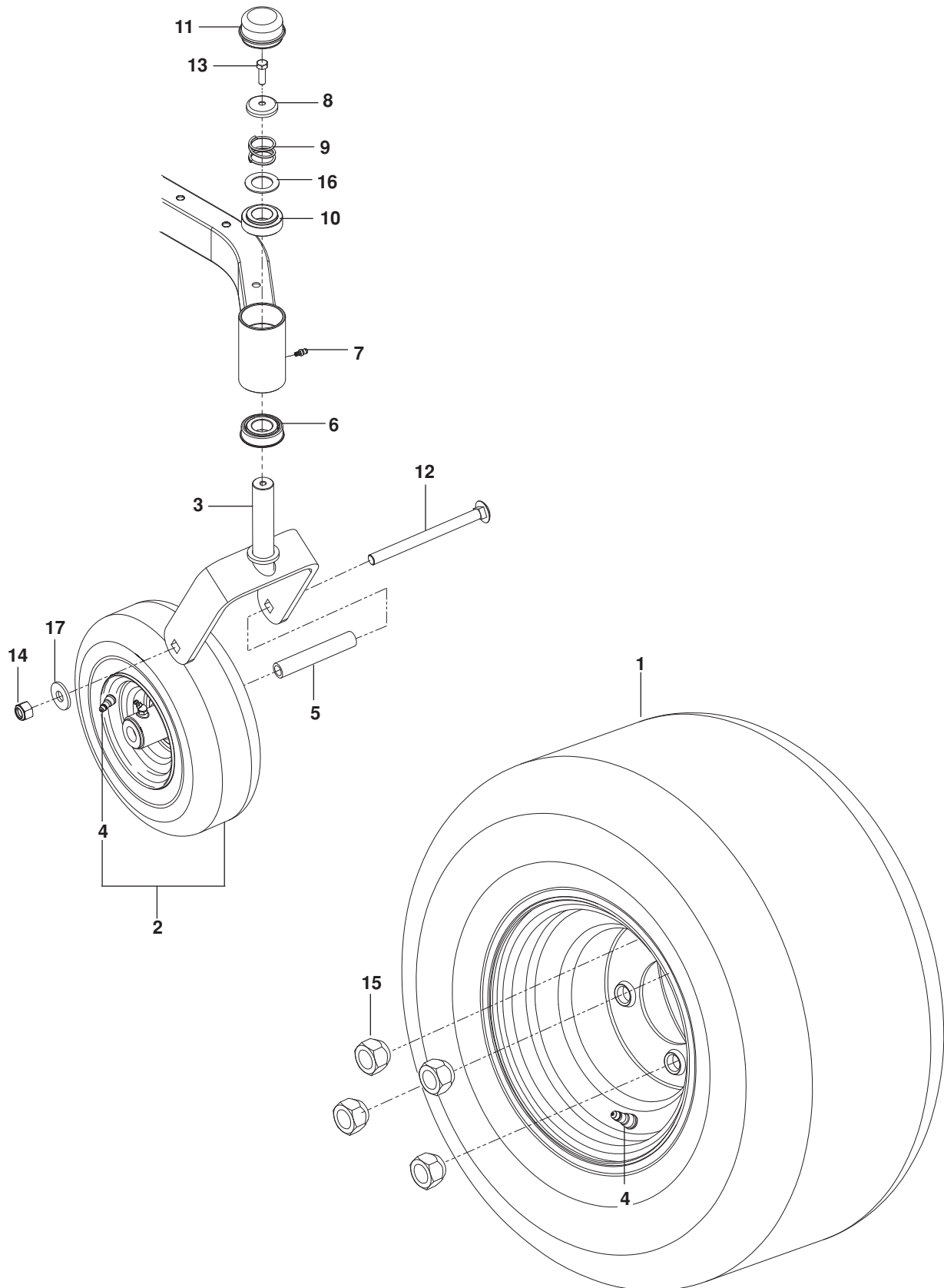
HYDRAULIC PUMP - MOTOR



HYDRAULIC PUMP-MOTOR

ITEM	PART NO.	QTY.	DESCRIPTION	ITEM	PART NO.	QTY.	DESCRIPTION
1..	510 37 56-01.....	1	EZT, LT	16..	580 80 66-02.....	2	MOUNT, EZT RR BLK
2..	510 37 56-02.....	1	EZT, RT	17..	532 42 33-03.....	1	HAIRPIN
3..	574 03 05-01.....	1	ROD, EZT BRAKE LT	18..	539 97 69-88.....	4	HAIRPIN
4..	574 03 05-02.....	1	ROD, EZT BRAKE RT	19..	587 11 53-01.....	1	PIN, CLEVIS
5..	539 11 04-11.....	1	BELT, EZT	20..	874 78 05-44.....	4	BOLT ⁵ / ₁₆ -18 x 2 ³ / ₄
6..	585 47 44-01.....	1	ROD, BYPASS LT	21..	874 78 05-12.....	2	BOLT ⁵ / ₁₆ -18 x ³ / ₄
7..	585 47 45-01.....	1	ROD, BYPASS RT	22..	874 78 05-36.....	2	BOLT ⁵ / ₁₆ -18 x 2 ¹ / ₄
8..	586 66 51-01.....	2	SPRING, BYPASS	23..	874 78 06-40.....	4	BOLT ³ / ₈ -16 x 2 ¹ / ₂
9..	539 11 03-42.....	2	SPRING, BRAKE ROD	24..	873 80 05-00.....	8	NUT ⁵ / ₁₆ -18 HEX NYLOC
10..	539 12 00-80.....	2	COG, BRAKE DISC	25..	873 80 04-00.....	2	NUT ¹ / ₄ -20 HEX NYLOC
11..	539 12 00-79.....	2	ASSY, BRAKE ARM	26..	819 11 11-16.....	14	WASHER ⁵ / ₁₆ SAE FLT
12..	575 50 70-01.....	1	ASSY, HUB w/ NUTS	27..	810 03 06-00.....	4	WASHER ³ / ₈ SPLT LCK
13..	539 12 07-85.....	2	BLADE, FAN	28..	819 13 13-16.....	8	WASHER ³ / ₈ SAE FLT
14..	510 18 41-04.....	2	SPACER TUBE	29..	819 09 10-16.....	4	WASHER ¹ / ₄ SAE FLT
15..	580 80 65-02.....	2	SUPPORT, EZT FRT				

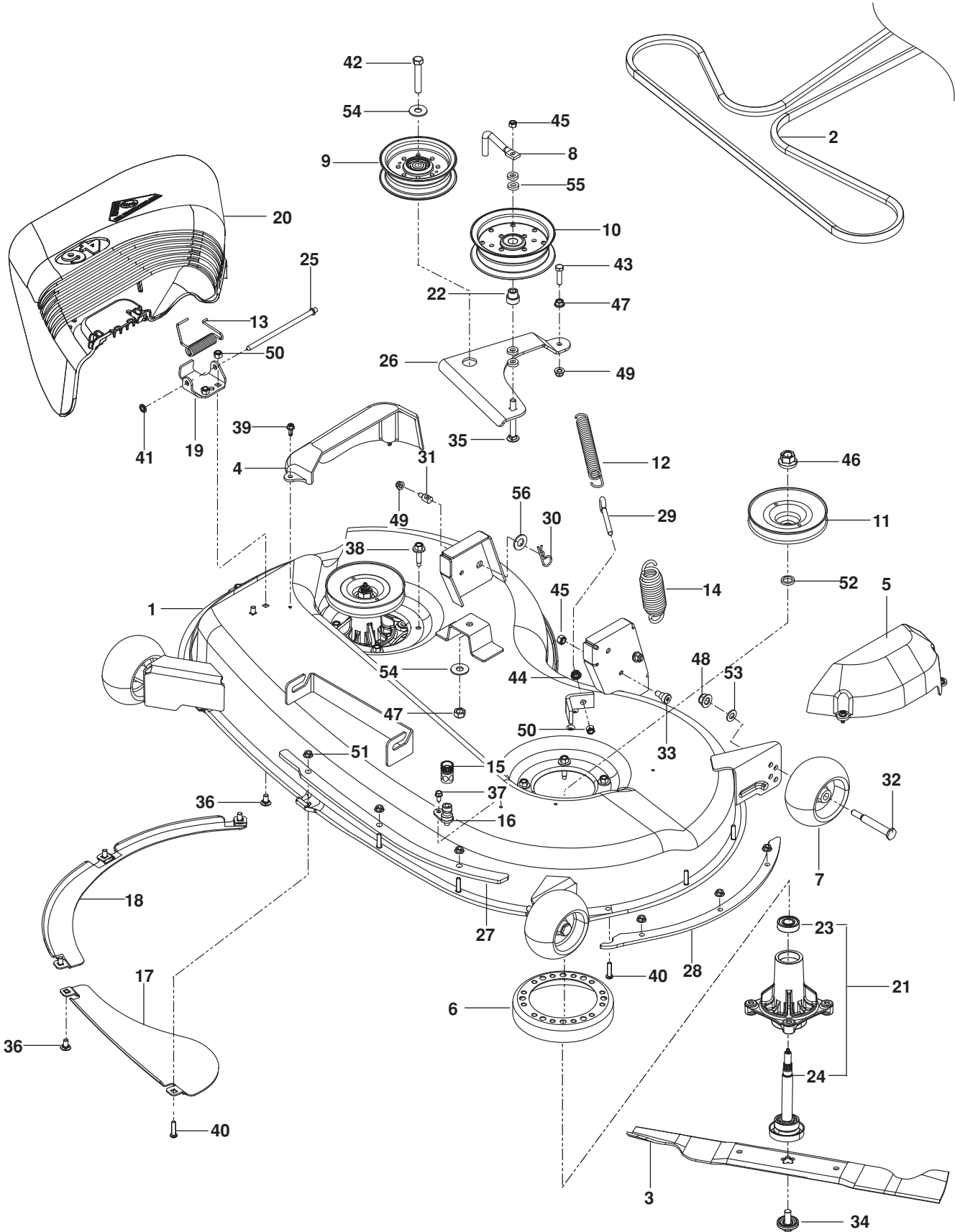
WHEELS AND TIRES



WHEELS AND TIRES

ITEM	PART NO.	QTY.	DESCRIPTION	ITEM	PART NO.	QTY.	DESCRIPTION
1..	579 75 34-01.....	2.....	ASSY, WHEEL REAR 18 x 9.5	10..	539 11 79-01.....	2.....	BUSHING, CASTER
2..	576 58 86-02.....	2.....	ASSY, CASTER TIRE	11..	539 10 25-35.....	1.....	CAP, GREASE
3..	576 58 88-02.....	2.....	YOKE, ORG	12..	576 60 15-01.....	2.....	BOLT 1/2-13 x 7 1/2 RD HD SQNK
4..	539 91 22-34.....	4.....	VALVE STEM	13..	874 95 05-16.....	2.....	BOLT 5/16-18 x 1 w/ NYLON
5..	576 58 89-01.....	2.....	SPACER	14..	873 93 08-00.....	2.....	NUT 1/2 HEX CNTRLK
6..	539 11 26-60.....	2.....	BEARING, FLANGED	15..	539 10 11-73.....	8.....	NUT 1/2 LUG
7..	539 11 56-38.....	2.....	ZERK 3/16 DRIVE	16..	539 11 56-75.....	2.....	WASHER
8..	539 11 57-49.....	2.....	PLUG, CASTER	17..	819 18 22-12.....	2.....	WASHER 1/2 FLT
9..	539 11 57-47.....	2.....	SPRING, CASTER				

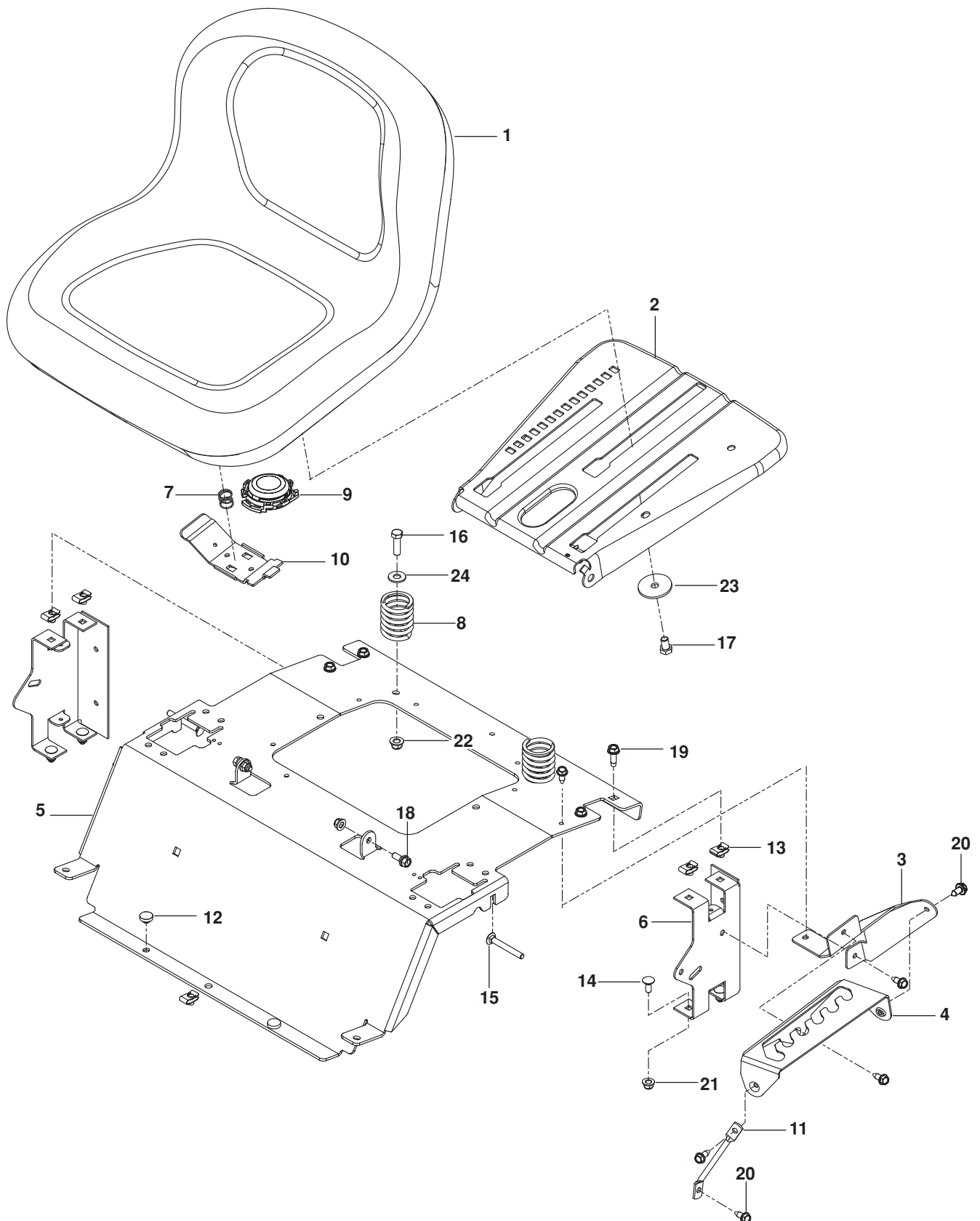
MOWER DECK / CUTTING DECK



MOWER DECK / CUTTING DECK

ITEM	PART NO.	QTY.	DESCRIPTION	ITEM	PART NO.	QTY.	DESCRIPTION
1..	522 74 44-01.....	1	DECK w/ SAFETY DECALS	29..	539 11 55-74.....	1	EYEBOLT $\frac{5}{16}$ x $3\frac{1}{2}$
2..	539 11 72-45.....	1	BELT, DECK	30..	539 97 69-89.....	2	HAIRPIN
3..	532 40 53-80.....	2	BLADE, HI-LIFT	31..	532 19 51-61.....	2	STUD w/ANTI- ROTATE
4..	532 40 55-06.....	1	SHIELD, BELT RH	32..	532 19 34-06.....	3	BOLT $\frac{3}{8}$ -16 x $3\frac{5}{8}$ SHOULDER
5..	532 40 55-07.....	1	SHIELD, BELT LH	33..	539 11 36-21.....	2	BOLT $\frac{3}{8}$ -16 x $\frac{3}{8}$ SHOULDER
6..	532 17 44-93.....	2	STRIPPER, UNIVERSAL	34..	532 19 30-03.....	2	BOLT, WASHER
7..	532 17 48-73.....	3	WHEEL, GAUGE	35..	539 12 81-01.....	1	BOLT $\frac{3}{8}$ -16 x $2\frac{1}{4}$ RD HD SQNK
8..	522 62 97-01.....	1	KEEPER, BELT	36..	872 14 05-06.....	6	BOLT $\frac{5}{16}$ -18 x $\frac{3}{4}$ RD HD SQNK
9..	532 19 61-04.....	1	PULLEY, IDLER	37..	539 99 10-34.....	1	SCREW 10-24 x $\frac{5}{8}$ WSH HD
10..	539 13 27-28.....	1	PULLEY, IDLER	38..	532 17 39-84.....	8	SCREW $\frac{5}{16}$ -18 WSH HD
11..	539 11 39-62.....	2	PULLEY, MANDREL	39..	532 13 77-29.....	4	SCREW $\frac{1}{4}$ -20 x $\frac{5}{8}$ THD ROLL
12..	539 12 09-20.....	1	SPRING, DECK BELT	40..	578 29 64-04.....	6	SCREW $\frac{1}{4}$ -20 BTN HD
13..	532 17 81-02.....	1	SPRING, TORSION	41..	532 11 04-52.....	1	PUSHNUT
14..	539 11 87-62.....	1	SPRING	42..	874 78 07-40.....	1	BOLT $\frac{7}{16}$ -14 x $2\frac{1}{2}$ HEX HD
15..	532 41 64-05.....	1	COUPLING, CONNECT	43..	874 78 05-20.....	1	BOLT $\frac{5}{16}$ -18 x $1\frac{1}{4}$ HEX HD
16..	532 41 55-98.....	1	PORT, WASHOUT	44..	539 99 05-85.....	2	BOLT $\frac{5}{16}$ -18 HEX WHIZLK
17..	532 40 31-49.....	1	BAFFLE, FRONT	45..	539 20 02-82.....	3	NUT $\frac{3}{8}$ -16 HEX JAM NYLOC
18..	532 40 31-50.....	1	BAFFLE, FRONT RH	46..	532 40 02-34.....	2	NUT $\frac{9}{16}$ TOP CNTRLK
19..	532 19 25-57.....	1	BRACKET, DEFLECTOR	47..	539 11 91-24.....	1	NUT $\frac{7}{16}$ -14 HEX NYLOC
20..	532 40 53-57.....	1	SHIELD, DEFLECTOR	48..	873 90 06-00.....	3	NUT $\frac{3}{8}$ -16 FLG LCK
21..	532 17 43-56.....	2	ASSY, MANDREL	49..	539 11 28-99.....	3	NUT $\frac{5}{16}$ -18 HEX FLG NYLOC
22..	539 11 20-76.....	1	BUSHING, IDLER	50..	873 80 05-00.....	8	NUT $\frac{5}{16}$ -18 HEX NYLOC
23..	532 11 04-85.....	1	BEARING	51..	873 90 04-00.....	6	NUT $\frac{1}{4}$ -20 HEX FLG
24..	532 17 43-60.....	1	SHAFT	52..	532 18 76-90.....	2	WASHER, SPACER
25..	532 13 14-91.....	1	ROD, HINGE	53..	819 13 20-12.....	3	WASHER 12 GA
26..	574 68 90-02.....	1	ARM, IDLER	54..	539 10 48-64.....	2	WASHER $\frac{7}{16}$ FLT
27..	585 31 77-05.....	1	PLATE FRT	55..	539 10 95-62.....	4	WASHER $\frac{3}{8}$
28..	585 31 78-05.....	1	PLATE, SIDE	56..	819 21 21-13.....	2	WASHER $\frac{5}{8}$ SAE FLT

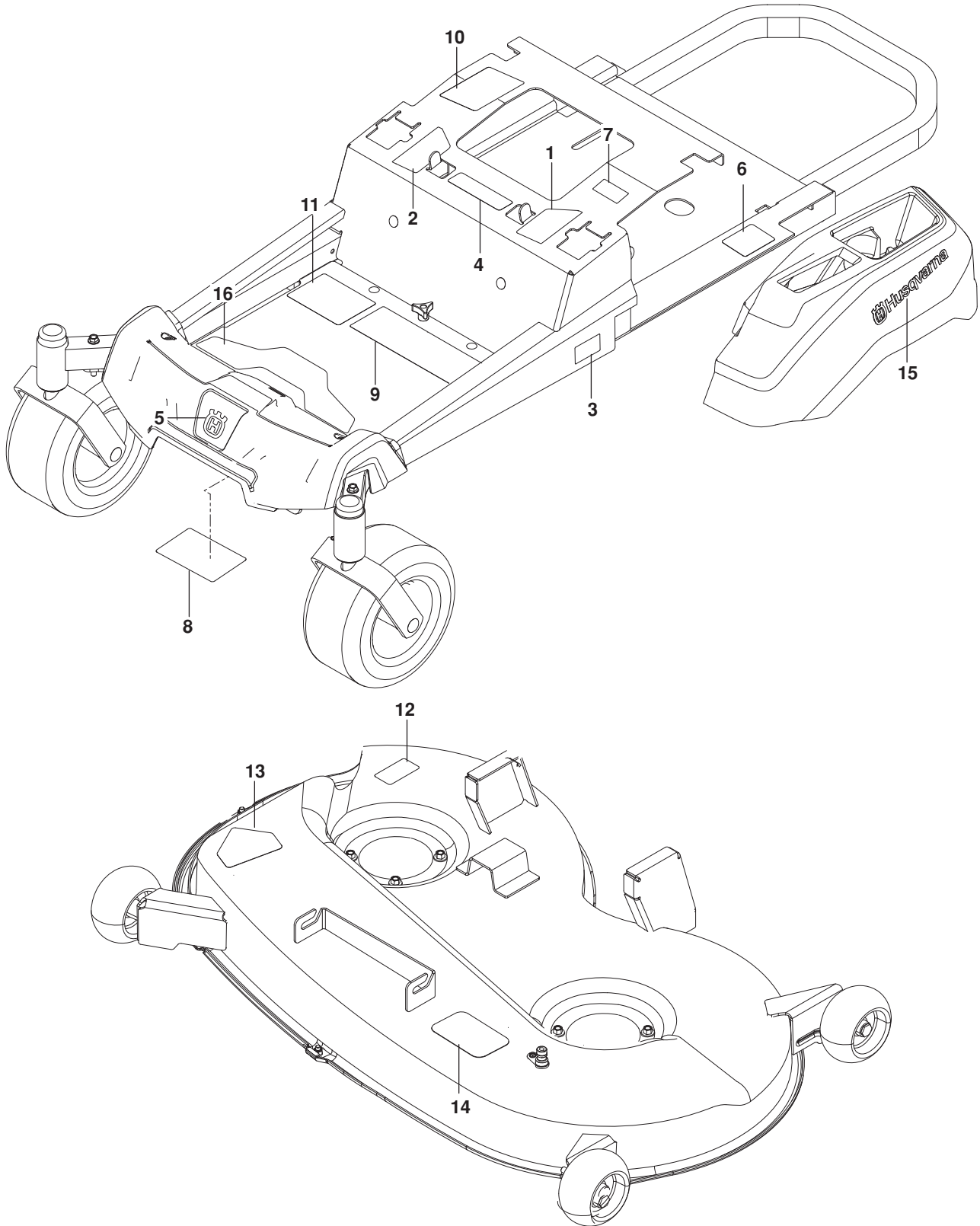
SEAT



SEAT

ITEM	PART NO.	QTY.	DESCRIPTION	ITEM	PART NO.	QTY.	DESCRIPTION
1..	532 43 98-22.....	1	SEAT	13..	539 10 47-63.....	5	RETAINER, U TYPE
2..	532 19 69-77.....	1	PAN, SEAT	14..	872 14 05-06.....	4	BOLT ⁵ / ₁₆ -18 x ³ / ₄ RD HD SQNK
3..	586 22 08-02.....	1	PLATE, LIFT SUPPORT	15..	510 42 27-01.....	2	BOLT ⁵ / ₁₆ -18 x 2 ¹ / ₂ RD HD SQNK
4..	586 22 12-02.....	1	PLATE, DECK LIFT	16..	874 78 06-20.....	2	BOLT ³ / ₈ -16 x 1 ¹ / ₄
5..	577 26 05-03.....	1	SUPPORT, SEAT ORG	17..	874 78 06-10.....	1	BOLT ³ / ₈ -16 x ⁵ / ₈
6..	580 30 82-02.....	2	SUPPORT, SEAT RR BLK	18..	539 11 03-03.....	2	BOLT ⁵ / ₁₆ -18 SHOULDER
7..	532 19 82-00.....	1	SPRING, LATCH	19..	817 49 05-12.....	4	SCREW ⁵ / ₁₆ -18 x ³ / ₄ THD FRM
8..	532 12 41-81.....	2	SPRING, SEAT	20..	817 00 05-10.....	6	SCREW ⁵ / ₁₆ -18 x ⁵ / ₈ WSH HD
9..	532 40 15-85.....	1	SWITCH, SEAT	21..	539 11 28-99.....	4	NUT ⁵ / ₁₆ -18 HEX FLG NYLOC
10..	532 19 76-61.....	1	HANDLE, SLIDE	22..	521 99 65-01.....	2	NUT ³ / ₈ -16 HEX FLG NYLOC
11..	586 42 86-01.....	1	LEG, SUPPORT	23..	539 11 18-97.....	1	WASHER ³ / ₈ SPECIAL
12..	585 98 93-01.....	2	GROMMET, BUMPER	24..	819 14 16-14.....	2	WASHER ³ / ₈ STD FLT

DECALS



DECALS

ITEM	PART NO.	QTY.	DESCRIPTION	ITEM	PART NO.	QTY.	DESCRIPTION
1..	586 94 76-01.....	1	DECAL, STEER / BRAKE LT	9..	539 10 99-08.....	1	DECAL, SAFETY WARNINGS
2..	586 94 75-01.....	1	DECAL, STEER / BRAKE RT	10..	532 42 38-29.....	1	DECAL, RESPONSIBILITY
3..	587 21 93-01.....	2	DECAL, Z 246	11..	586 34 25-01.....	1	DECAL, START
4..	539 10 57-45.....	1	DECAL, BATTERY WARNING	12..	581 72 44-01.....	1	DECAL, DEFLECTOR
5..	532 42 86-77.....	1	DECAL, CROWN	13..	584 90 46-01.....	1	DECAL, BLADE DANGER
6..	539 10 83-85.....	1	DECAL, DO NOT TOW	14..	510 24 02-01.....	1	DECAL, BELT ROUTING
7..	539 10 83-86.....	1	DECAL, EXIT MOWER	15..	577 46 90-01.....	2	DECAL, HUSQVARNA
8..	539 10 98-97.....	1	DECAL, SERVICE	16..	587 00 07-01.....	1	PAD, ABRASIVE

