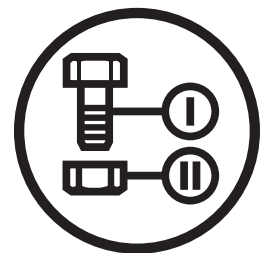




Parts Manual

Z 246

Zero Turn Mower / 967323903-00



Please read the operator manual carefully and make sure you understand the instructions before using the machine.

When you need spare parts or support in service questions, warranty issues, etc., please consult the following professional:

| | | |
|---|--------|--------------|
| | | |
| This manual belongs to the machine with the manufacturing number: | Engine | Transmission |

Manufacturing Number

The machine's manufacturing number can be found on the printed plate affixed to the engine compartment.

Stated on the plate, from the top are:

- The machine's type designation (I.D.).
- The manufacturer's type number (Model).
- The machine's serial number (Serial no.)

Please have the type designation and serial number available when ordering spare parts.

The engine's manufacturing number is stamped on one of the valve covers.

The plate states:

- The engine's model.
- The engine's type.
- Code

Please have these available when ordering spare parts.

The wheel motors and hydrostatic pumps have a barcode decal affixed at the rear.

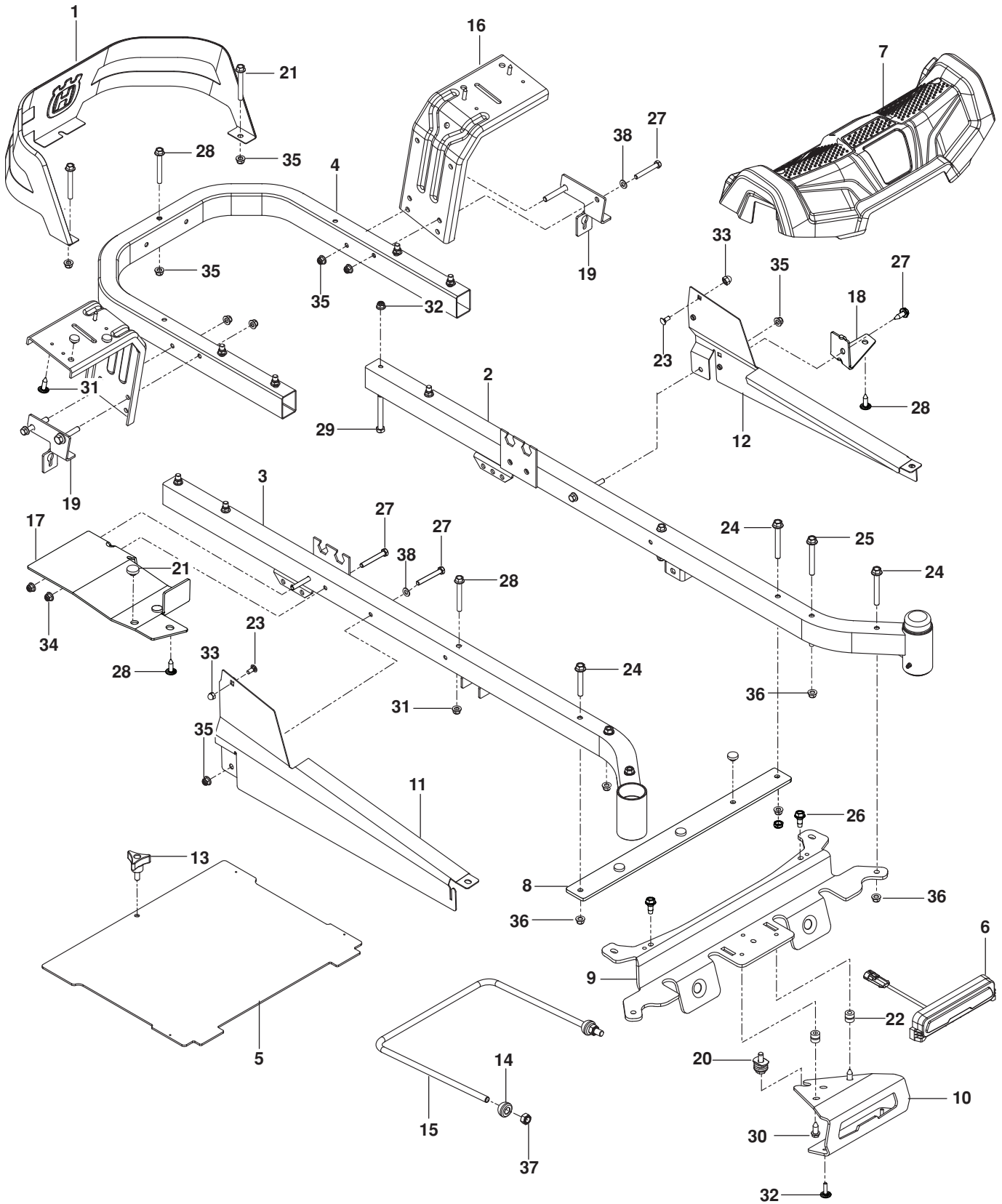
CONTENTS

| | |
|--------------------------------|----|
| FRAME..... | 4 |
| ENGINE PLATE..... | 6 |
| STEERING | 8 |
| IGNITION..... | 10 |
| BRAKE / LIFT..... | 12 |
| HYDRAULIC PUMP - MOTOR..... | 14 |
| WHEELS AND TIRES..... | 16 |
| MOWER DECK / CUTTING DECK..... | 18 |
| SEAT | 20 |
| DECALS..... | 22 |

Illustrations may or may not represent the actual assemblies and it is not recommended to use this manual as a guide to assemble or disassemble the mower.

NOTE: All fasteners are Grade 5 unless otherwise specified.

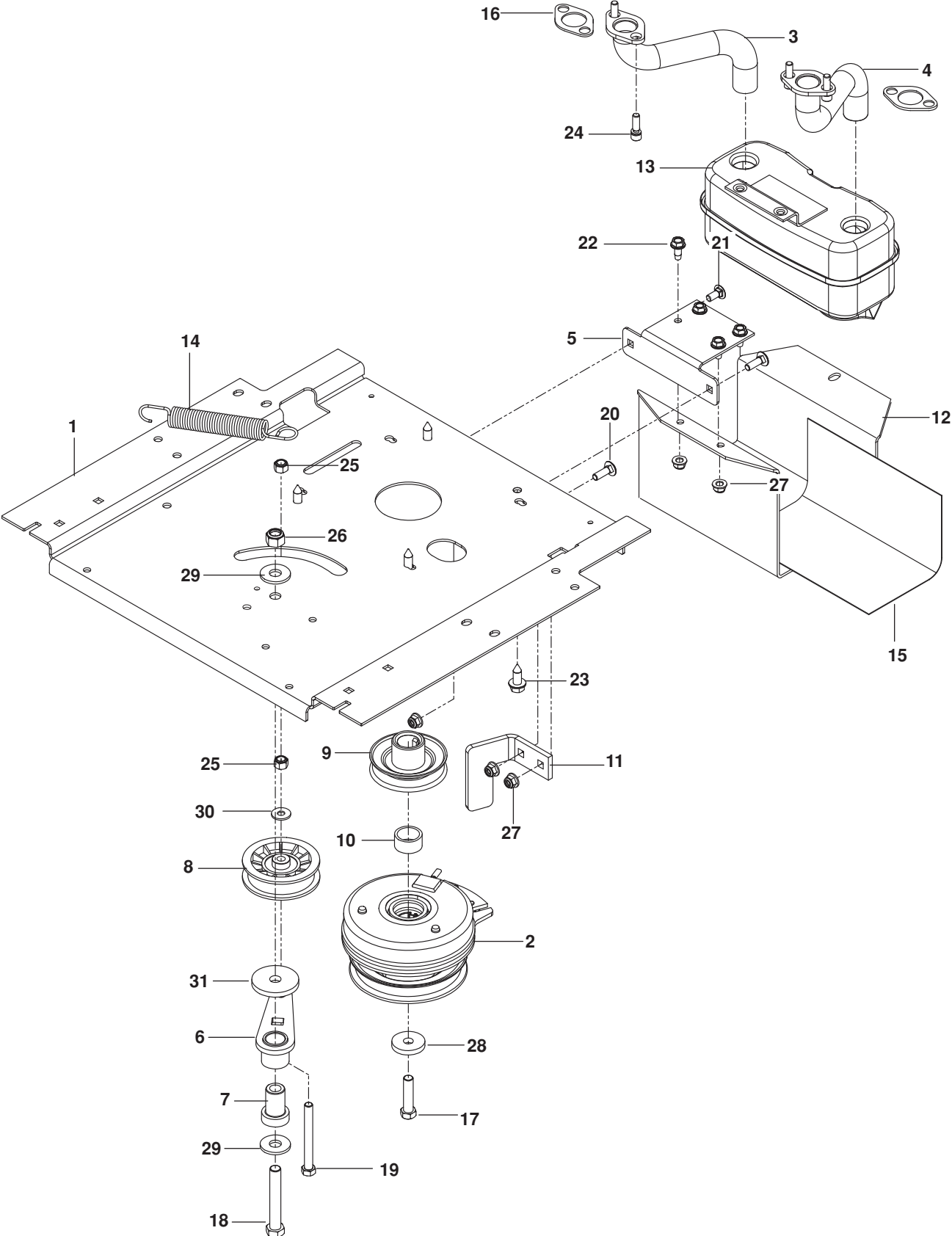
FRAME



FRAME

| ITEM | PART NO. | QTY. | DESCRIPTION | ITEM | PART NO. | QTY. | DESCRIPTION |
|------|-------------------|---------|----------------------------|------|-------------------|---------|---|
| 1.. | 585 03 98-02..... | 1 | GUARD, REAR BLK | 20.. | 587 54 69-01..... | 1 | ASSY, ISOLATOR TAP |
| 2.. | 510 17 75-03..... | 1 | FRAME, FRONT RT ORG | 21.. | 585 98 93-01..... | 7 | GROMMET, BUMPER |
| 3.. | 510 17 74-03..... | 1 | FRAME, FRONT LT ORG | 22.. | 587 22 52-01..... | 2 | GROMMET, PUSH |
| 4.. | 584 99 10-02..... | 1 | FRAME, REAR TUBE ORG | 23.. | 585 94 00-01..... | 2 | BOLT ⁵ / ₁₆ -18 x 1 CARRIAGE |
| 5.. | 522 84 29-02..... | 1 | FOOT PLATE w/ SAFETY DECAL | 24.. | 577 11 77-01..... | 4 | BOLT ³ / ₈ -16 x 3 |
| 6.. | 585 91 67-01..... | 1 | ASSY, LED LIGHT | 25.. | 586 65 43-01..... | 2 | BOLT ³ / ₈ -16 x 3 SHOULDER |
| 7.. | 585 52 24-01..... | 1 | COVER, FOOTREST | 26.. | 586 88 11-01..... | 2 | BOLT ⁵ / ₁₆ -18 SHOULDER |
| 8.. | 585 52 30-04..... | 1 | SUPPORT, FOOTREST | 27.. | 874 78 05-36..... | 8 | BOLT ⁵ / ₁₆ -18 x 2 ¹ / ₄ |
| 9.. | 585 52 31-04..... | 1 | CROSS MEMBER | 28.. | 874 78 05-44..... | 5 | BOLT ⁵ / ₁₆ -18 x 2 ³ / ₄ |
| 10.. | 587 45 86-04..... | 1 | BRACKET, SKID SILV | 29.. | 874 78 06-48..... | 8 | BOLT ³ / ₈ -16 x 3 |
| 11.. | 585 33 16-02..... | 1 | COVER, RAIL RT | 30.. | 817 00 05-10..... | 2 | SCREW ⁵ / ₁₆ -18 x ⁵ / ₈ WSH HD |
| 12.. | 585 33 15-02..... | 1 | COVER, RAIL LT | 31.. | 532 41 63-58..... | 6 | SCREW #10-24 x ³ / ₄ HEX HD |
| 13.. | 539 10 44-11..... | 1 | KNOB w/ STUD | 32.. | 532 421756..... | 2 | SCREW #10 x ¹ / ₂ |
| 14.. | 532 19 52-63..... | 2 | BUSHING, PIVOT | 33.. | 585 93 81-01..... | 2 | NUT ⁵ / ₁₆ -18 ACORN |
| 15.. | 521 93 81-01..... | 1 | LINK, FRONT SUSPENSION | 34.. | 873 90 05-00..... | 2 | NUT ⁵ / ₁₆ -18 HEX FLG LCK |
| 16.. | 580 50 13-02..... | 2 | SUPPORT, FENDER BLK | 35.. | 539 11 28-99..... | 9 | NUT ⁵ / ₁₆ -18 HEX FLG NYLOC |
| 17.. | 585 52 34-04..... | 1 | SUPPORT, CONSOLE RT | 36.. | 521 99 65-01..... | 8 | NUT ³ / ₈ -16 HEX FLG NYLOC |
| 18.. | 585 52 36-04..... | 1 | SUPPORT, CONSOLE LT | 37.. | 539 11 91-24..... | 2 | NUT ⁷ / ₁₆ -14 HEX NYLOC |
| 19.. | 585 47 43-02..... | 2 | BRACKET, BYPASS ROD | 38.. | 819 11 11-16..... | 6 | WASHER ⁵ / ₁₆ SAE FLT |

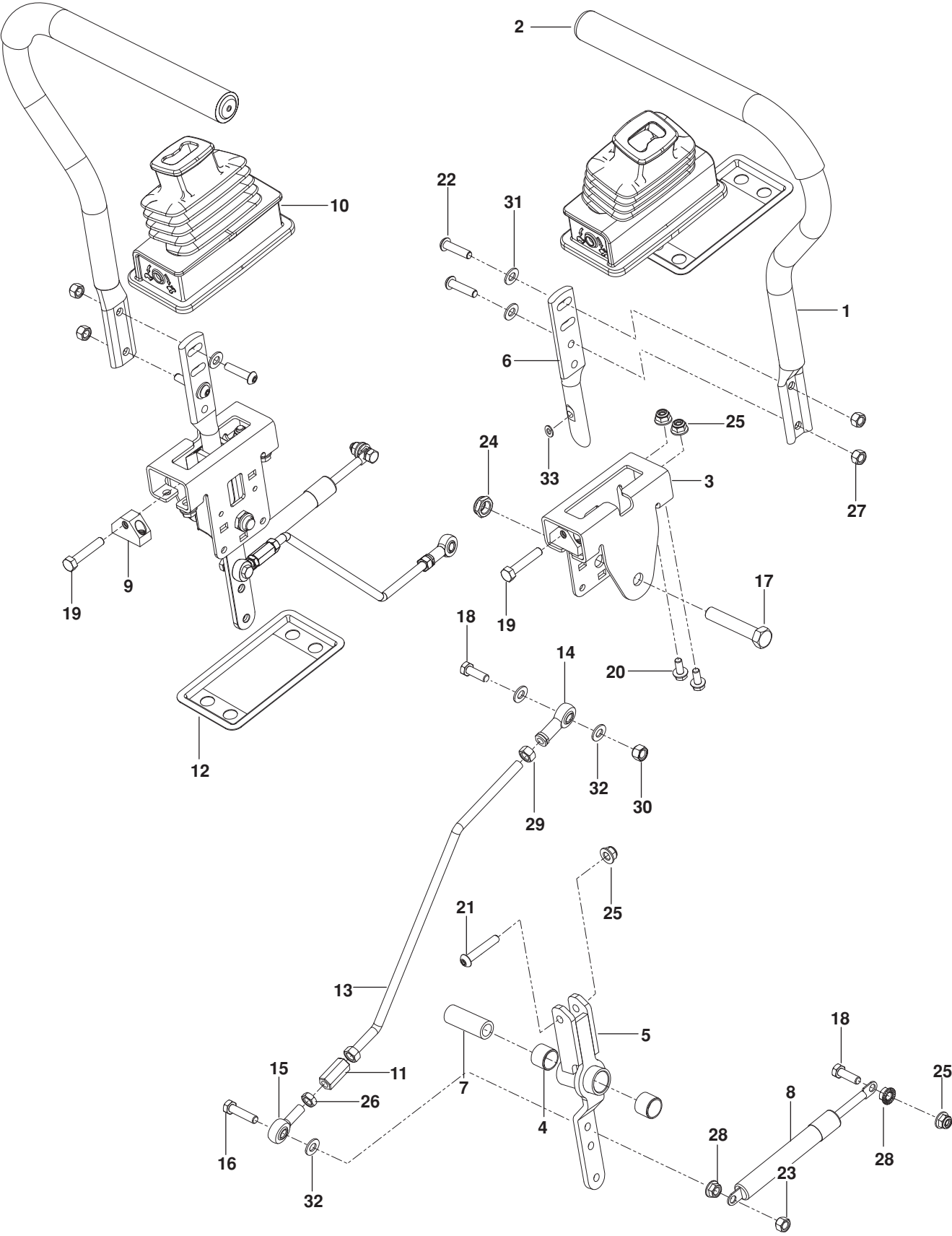
ENGINE PLATE



ENGINE PLATE

| ITEM | PART NO. | QTY. | DESCRIPTION | ITEM | PART NO. | QTY. | DESCRIPTION |
|------|--------------------|------|---|-----------|-------------------|------|--|
| 1.. | 587 48 07-02..... | 1 | PLATE, ENGINE BLK | 19.. | 874 52 06-56..... | 1 | BOLT $\frac{3}{8}$ -16 x 3 $\frac{1}{2}$ |
| 2.. | 585 52 11-01..... | 1 | CLUTCH | 20.. | 872 14 05-08..... | 2 | BOLT RD HD SQNK $\frac{5}{16}$ -18 x 1 |
| 3.. | 581 88 10-01..... | 1 | TUBE, EXHAUST RT | 21.. | 872 14 05-06..... | 2 | BOLT RD HD SQNK $\frac{5}{16}$ -18 x $\frac{3}{4}$ |
| 4.. | 581 88-11-01 | 1 | TUBE, EXHAUST LT | 22.. | 817 49 05-12..... | 4 | SCREW $\frac{5}{16}$ -18 x $\frac{3}{4}$ THD FRM |
| 5.. | 581 88 67-02..... | 1 | BRACKET, MUFFLER BLK | 23.. | 817 12 06-16..... | 4 | SCREW $\frac{3}{8}$ -16 x 1 THD FRM |
| 6.. | 532 44 81-45..... | 1 | ARM, IDLER | 24.. | 532 18 39-06..... | 4 | SCREW $\frac{5}{16}$ -18 x 1 SKT HD |
| 7.. | 539 10 12-31..... | 1 | SPINDLE, IDLER | 25.. | 539 97 69-79..... | 2 | NUT $\frac{3}{8}$ -16 HEX NYLOC |
| 8.. | 539 11 03-11..... | 1 | PULLEY, IDLER | 26.. | 873 80 08-00..... | 1 | NUT $\frac{1}{2}$ -13 HEX NYLOC |
| 9.. | 539 11 45-30..... | 1 | PULLEY, ENGINE | 27.. | 539 11 28-99..... | 5 | NUT $\frac{5}{16}$ -18 HEX FLG NYLOC |
| 10.. | 539 11 22-52..... | 1 | SPACER | 28.. | 532 12 61-97..... | 1 | WASHER, CLUTCH |
| 11.. | 510 24 60-02..... | 1 | STOP, CLUTCH BLK | 29.. | 819 18 22-12..... | 2 | WASHER $\frac{1}{2}$ FLT |
| 12.. | 587 45 12-02..... | 1 | GUARD, MUFFLER BLK | 30.. | 819 12 14-14..... | 2 | WASHER $\frac{5}{16}$ STD FLT |
| 13.. | 539 13 16-04..... | 1 | MUFFLER ASSY | 31.. | 539 11 26-70..... | 1 | WASHER, HEAVY |
| 14.. | 532 19 61-05..... | 1 | SPRING, DECK DRIVE | NOT SHOWN | | | |
| 15.. | 539 13 28-59..... | 1 | SHIELD, MUFFLER | ----- | | 1 | ENGINE, BRIGGS & STRATTON 44S777 23 HP For engine service and replacement parts, see a B&S dealer |
| 16.. | 532 16 53-91..... | 2 | GASKET, MUFFLER | | | | |
| 17.. | 581 33 28-04..... | 1 | BOLT $\frac{7}{16}$ -20 x 1 $\frac{1}{2}$ | | | | |
| 18.. | 874 78 08-52..... | 1 | BOLT $\frac{1}{2}$ -13 x 3 $\frac{1}{4}$ | | | | |

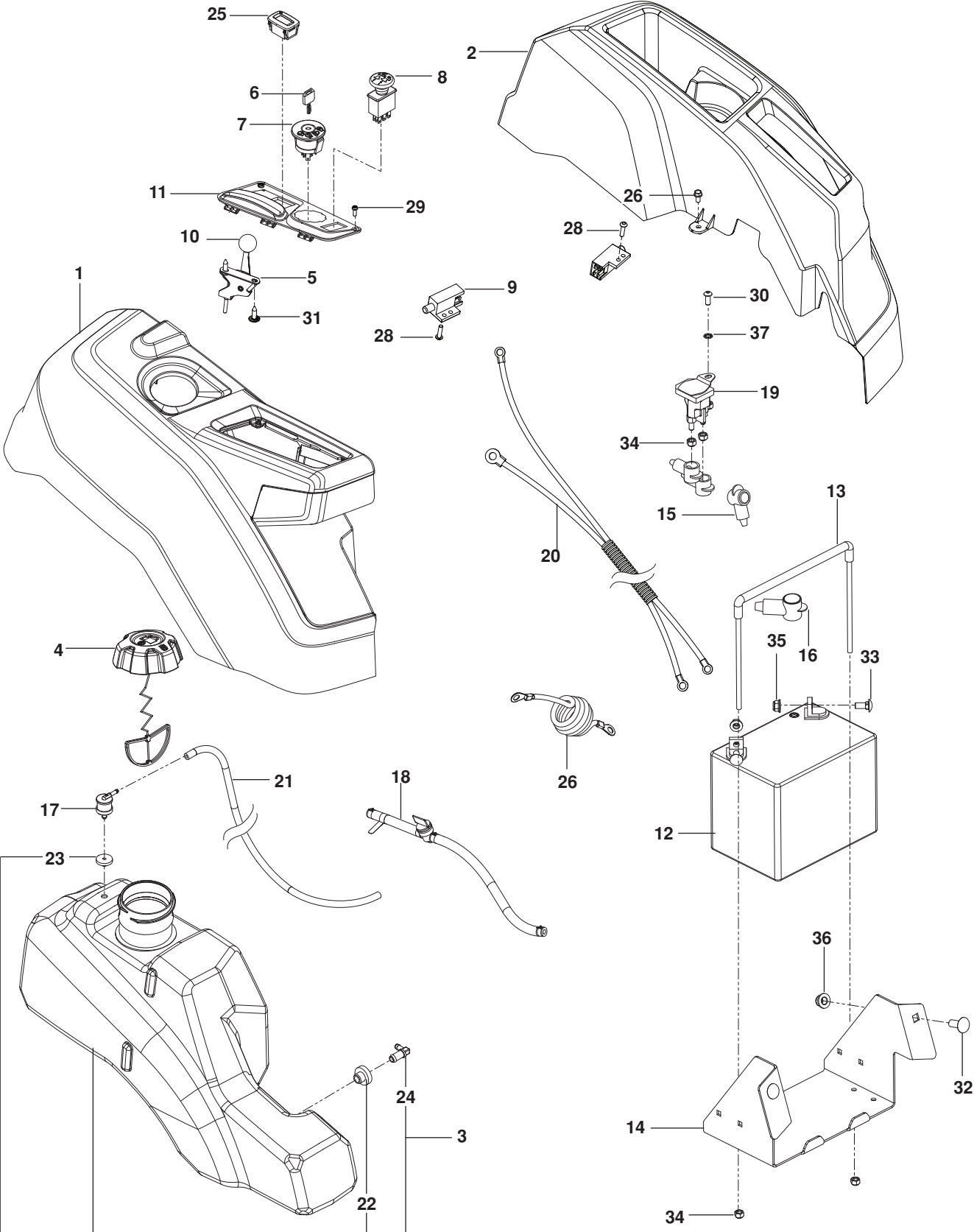
STEERING



STEERING

| ITEM | PART NO. | QTY. | DESCRIPTION | ITEM | PART NO. | QTY. | DESCRIPTION |
|------|-------------------|--------|---|------|-------------------|---------|--|
| 1.. | 581 82 67-01..... | 2..... | LEVER w/ GRIP | 18.. | 874 78 05-16..... | 4..... | BOLT ⁵ / ₁₆ -18 x 1 THD FRM |
| 2.. | 525 39 29-01..... | 2..... | GRIP, FOAM | 19.. | 585 98 61-01..... | 2..... | BOLT ⁵ / ₁₆ -18 x 1 ¹ / ₄ |
| 3.. | 585 12 47-02..... | 2..... | BRACKET, CONTROL | 20.. | 874 49 05-12..... | 8..... | BOLT HEX FLG ⁵ / ₁₆ -18 X ³ / ₄ |
| 4.. | 532 43 82-82..... | 4..... | BEARING | 21.. | 576 85 04-02..... | 2..... | SCREW ⁵ / ₁₆ -18 X 1 ³ / ₄ BTN HD |
| 5.. | 576 14 03-01..... | 2..... | LEVER, CONTROL | 22.. | 585 98 59-01..... | 4..... | SCREW ⁵ / ₁₆ -18 X 1 ¹ / ₄ BTN BLK |
| 6.. | 587 60 17-02..... | 2..... | LEVER, HANDLE | 23.. | 873 80 05-00..... | 2..... | NUT ⁵ / ₁₆ -18 HEX NYLOC |
| 7.. | 584 92 72-01..... | 2..... | SPACER, PIVOT CONTROL | 24.. | 539 10 80-10..... | 2..... | NUT ¹ / ₂ -13 HEX JAM NYL GR2 |
| 8.. | 539 10 27-20..... | 2..... | DAMPENER | 25.. | 539 11 28-99..... | 12..... | NUT ⁵ / ₁₆ -18 HEX FLG NYLOC |
| 9.. | 581 43 75-01..... | 2..... | BLOCK, TRACKING | 26.. | 873 70 05-00..... | 2..... | NUT ⁵ / ₁₆ -24 HEX JAM LH |
| 10.. | 585 83 16-01..... | 2..... | BOOT, STEERING | 27.. | 585 98 60-01..... | 4..... | NUT ⁵ / ₁₆ -18 HEX NYLOC BLK |
| 11.. | 539 11 66-89..... | 2..... | COUPLER, ROD END | 28.. | 539 99 05-85..... | 4..... | NUT ⁵ / ₁₆ -18 HEX WHIZLK |
| 12.. | 585 48 82-02..... | 2..... | FLANGE, BOOT | 29.. | 539 99 02-23..... | 4..... | NUT ⁵ / ₁₆ -24 HEX |
| 13.. | 580 62 42-01..... | 2..... | ROD, MOTION CONTROL | 30.. | 539 11 56-17..... | 2..... | NUT ⁵ / ₁₆ -18 THIN NYLOC |
| 14.. | 539 11 57-29..... | 2..... | ROD END RH | 31.. | 586 30 91-01..... | 4..... | WASHER ⁵ / ₁₆ SAE FLT BLK |
| 15.. | 539 11 66-90..... | 2..... | ROD END MALE LH | 32.. | 819 11 11-16..... | 6..... | WASHER ⁵ / ₁₆ SAE FLT |
| 16.. | 874 78 05-28..... | 2..... | BOLT ⁵ / ₁₆ -18 x 1 ³ / ₄ TPBLT | 33.. | 587 61 42-01..... | 2..... | WASHER ¹¹ / ₃₂ |
| 17.. | 874 78 08-44..... | 2..... | BOLT ¹ / ₂ -13 x 2 ³ / ₄ | | | | |

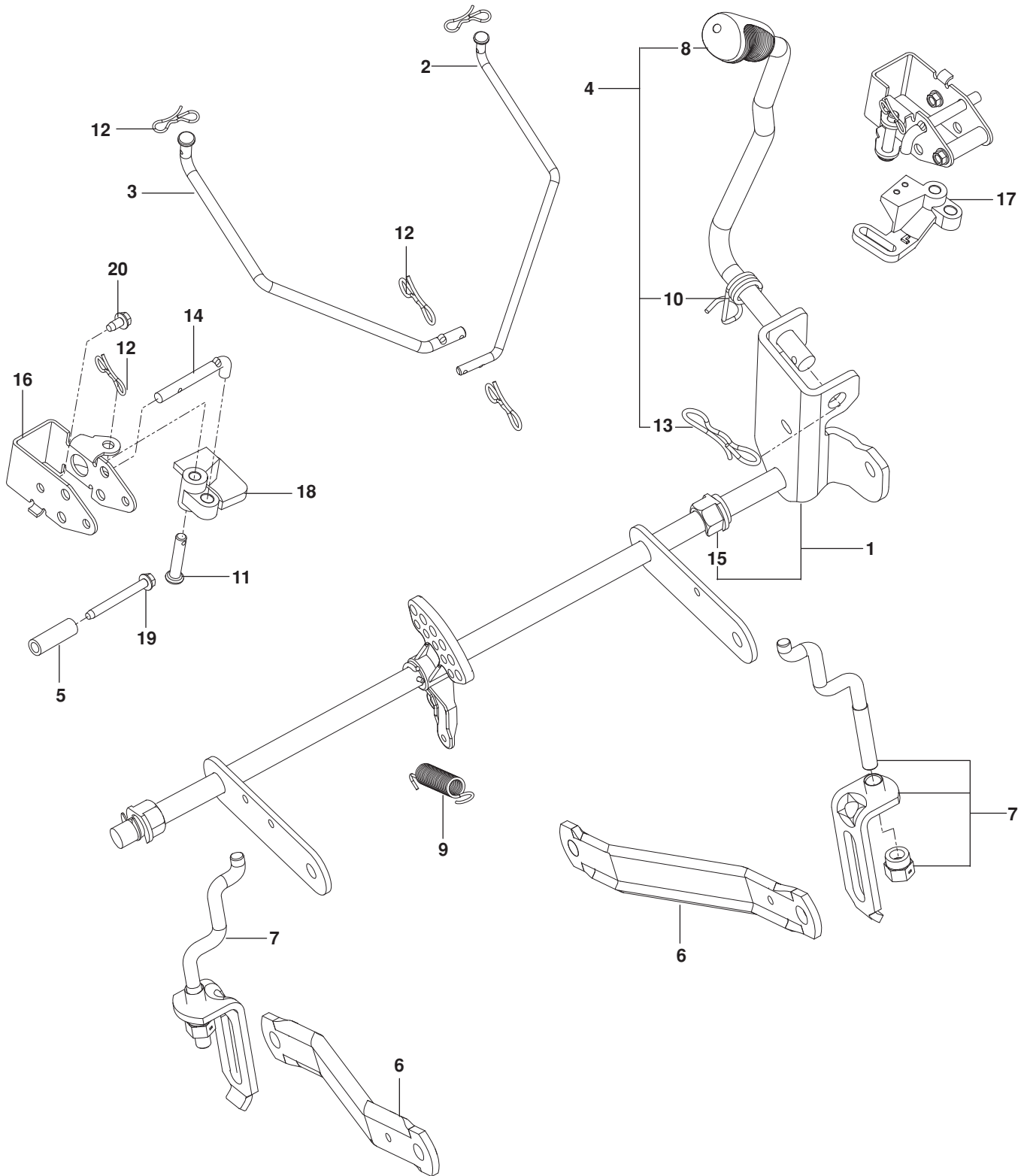
IGNITION



IGNITION

| ITEM | PART NO. | QTY. | DESCRIPTION | ITEM | PART NO. | QTY. | DESCRIPTION |
|------|-------------------|---------|--------------------------|-----------|--------------------|---------|---|
| 1.. | 585 52 28-01..... | 1 | ASSY, FENDER, RT GRY | 21.. | 587 04 45-23..... | 1 | HOSE $\frac{3}{16}$ x 23" PURGE |
| 2.. | 585 52 29-01..... | 1 | FENDER, LT GRY | 22.. | 532 00 36-45..... | 1 | GROMMET, RUBBER |
| 3.. | 578 18 06-02..... | 1 | ASSY, FUEL TANK | 23.. | 532 43 74-92..... | 1 | GROMMET, CHECK VALVE |
| 4.. | 585 12 48-01..... | 1 | CAP, FUEL w/ TETHER | 24.. | 532 13 92-77..... | 1 | ELBOW |
| 5.. | 585 97 49-02..... | 1 | CABLE, THROTTLE | 25.. | 586 16 18-01..... | 1 | METER, SERVICE |
| 6.. | 532 14 04-01..... | 1 | KEY, IGNITION | 26.. | 539 10 33-06..... | 1 | CABLE, BATTERY POSITIVE |
| 7.. | 539 10 75-41..... | 1 | SWITCH, IGNITION | 27.. | 532 14 18-41..... | 2 | SCREW 10-16 x .65 |
| 8.. | 532 17 46-52..... | 1 | SWITCH, CLUTCH | 28.. | 586 93 60-01..... | 2 | SCREW #10-24 x $\frac{1}{2}$ SKT HD |
| 9.. | 532 10 95-53..... | 2 | SWITCH, INTERLOCK | 29.. | 545 22 71-01..... | 2 | SCREW 6-19 x $\frac{7}{16}$ PAN HD |
| 10.. | 539 13 30-49..... | 1 | KNOB | 30.. | 539 11 12-29..... | 1 | SCREW $\frac{1}{4}$ -20 x $\frac{5}{8}$ BTN SKT |
| 11.. | 585 52 27-03..... | 1 | PANEL, CONTROL | 31.. | 817 49 04-08..... | 2 | SCREW $\frac{1}{4}$ -20 x $\frac{1}{2}$ |
| 12.. | 539 10 24-36..... | 1 | BATTERY | 32.. | 539 99 06-45..... | 2 | BOLT $\frac{3}{8}$ -16 x 1 RDHD SQNK |
| 13.. | 539 13 12-09..... | 1 | TIE DOWN, BATTERY | 33.. | 872 14 05-06..... | 2 | BOLT $\frac{5}{16}$ -18 x $\frac{3}{4}$ RDHD SQNK |
| 14.. | 585 04 87-02..... | 1 | BOX, BATTERY BLK | 34.. | 873 80 04-00..... | 5 | NUT $\frac{1}{4}$ -20 HEX NYLOC |
| 15.. | 532 13 15-63..... | 3 | TERMINAL COVER | 35.. | 539 11 28-99..... | 2 | NUT $\frac{5}{16}$ -18 FLANGE NYLOC |
| 16.. | 539 10 27-59..... | 1 | INSULATOR | 36.. | 521 99 65-01..... | 2 | NUT $\frac{3}{8}$ -16 HEX FLG NYLOC |
| 17.. | 576 61 81-01..... | 1 | VALVE, FUEL CHECK | 37.. | 539 99 00-53..... | 1 | WASHER $\frac{1}{4}$ ITLW |
| 18.. | 586 12 39-04..... | 1 | ASSY, FUEL LINE w/ VALVE | NOT SHOWN | | | |
| 19.. | 532 19 25-07..... | 1 | SOLENOID | | 586 33 73-01 | 1 | HARNESS, WIRING |
| 20.. | 587 19 86-01..... | 1 | HARNESS, BATTERY | | 586 91 67-01 | 1 | HARNESS, LED LIGHT |

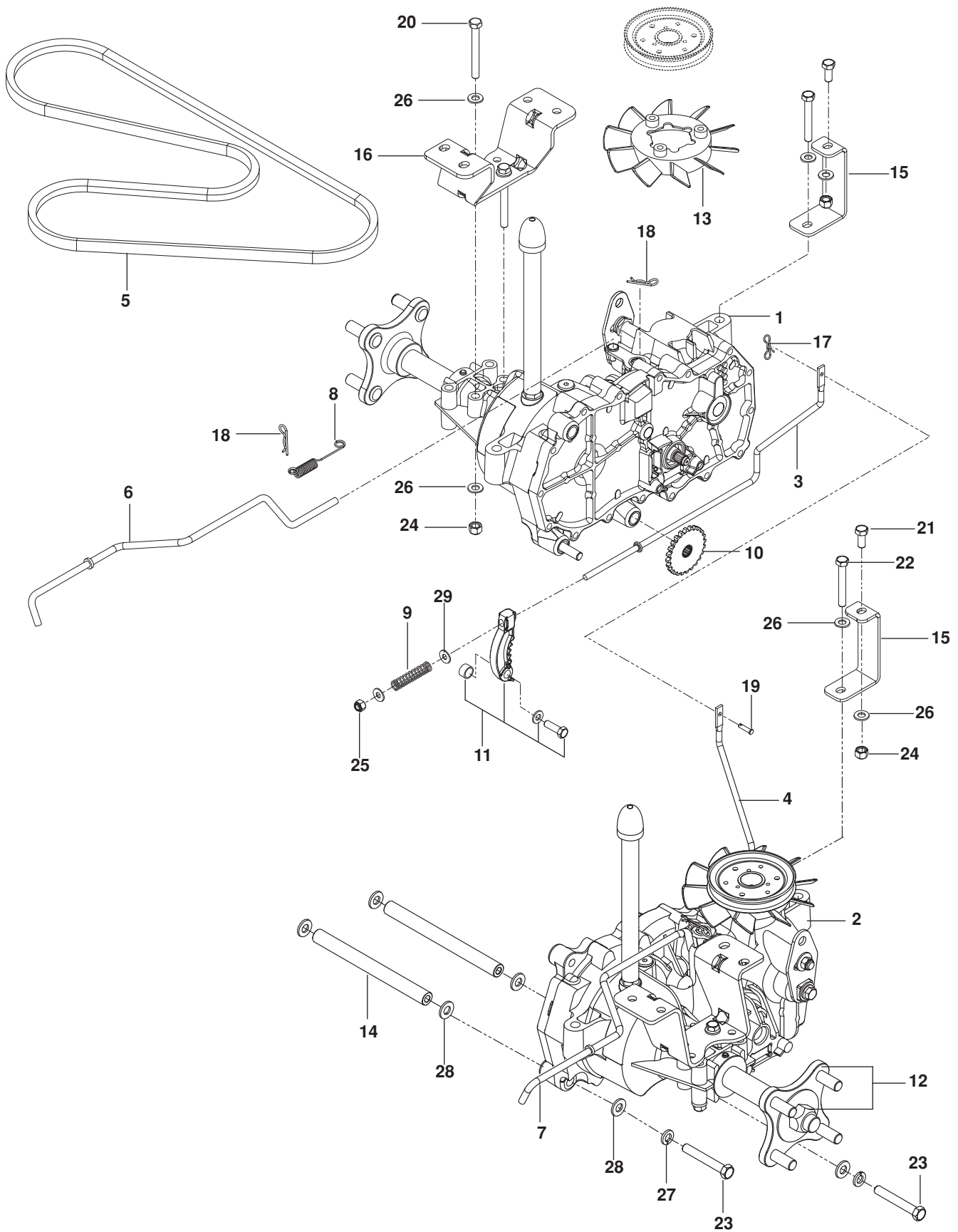
BRAKE / LIFT



BRAKE / LIFT

| ITEM | PART NO. | QTY. | DESCRIPTION | ITEM | PART NO. | QTY. | DESCRIPTION |
|------|-------------------|---------|------------------------------|------|-------------------|---------|---------------------------|
| 1.. | 587 62 31-01..... | 1 | ASSY, SHAFT w/ NUTS, E-RINGS | 11.. | 585 70 14-01..... | 2 | PIN ½ CLEVIS |
| 2.. | 586 45 71-01..... | 1 | LINK, BRAKE LT | 12.. | 587 22 53-01..... | 6 | CLIP |
| 3.. | 586 45 72-01..... | 1 | LINK, BRAKE RT | 13.. | 532 19 42-09..... | 1 | CLIP |
| 4.. | 587 62 29-01..... | 1 | ASSY, LIFT HANDLE | 14.. | 585 68 20-01..... | 2 | PUSHROD |
| 5.. | 580 48 61-01..... | 2 | SPACER | 15.. | 510 18 49-01..... | 2 | NUT, PLASTIC |
| 6.. | 532 19 51-85..... | 2 | ARM, SUSPENSION RR | 16.. | 585 68 21-01..... | 2 | BRACKET, BELLCRANK |
| 7.. | 587 62 30-01..... | 2 | ASSY, CENTERING LNK | 17.. | 586 45 74-01..... | 1 | BELLCRANK LT |
| 8.. | 532 44 50-60..... | 1 | GRIP, HANDLE | 18.. | 586 45 75-01..... | 1 | BELLCRANK RT |
| 9.. | 586 86 76-01..... | 1 | SPRING | 19.. | 586 56 13-01..... | 2 | SCREW ¼-20 x 2¼ THD ROLL |
| 10.. | 532 19 63-14..... | 1 | SPRING | 20.. | 532 13 77-29..... | 2 | SCREW ¼-20 x 5/8 THD ROLL |

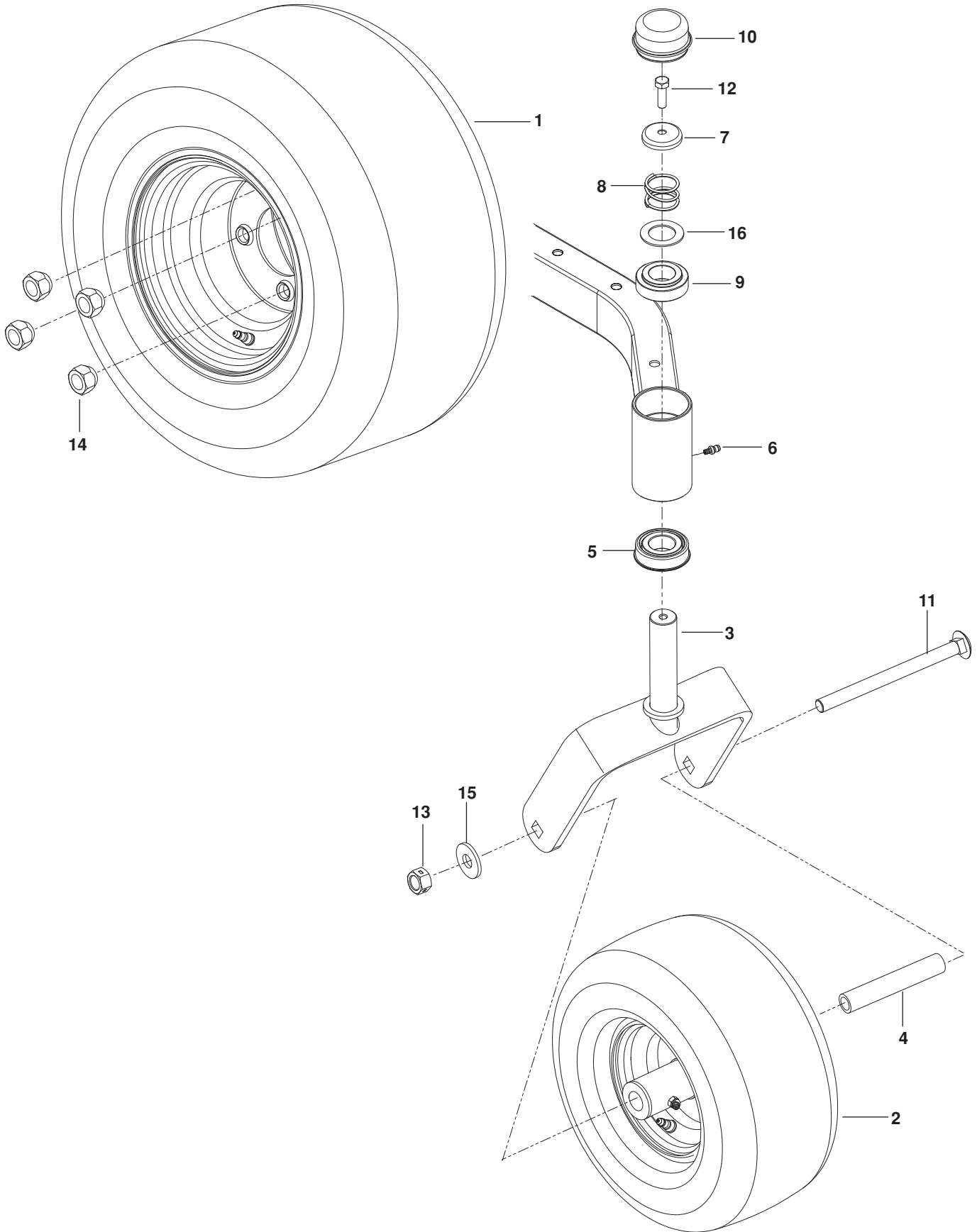
HYDRAULIC PUMP - MOTOR



HYDRAULIC PUMP-MOTOR

| ITEM | PART NO. | QTY. | DESCRIPTION | ITEM | PART NO. | QTY. | DESCRIPTION |
|------|-------------------|---------|-------------------|------|-------------------|----------|---|
| 1.. | 510 37 56-01..... | 1 | EZT, LT | 16.. | 580 80 66-02..... | 2 | MOUNT, EZT RR BLK |
| 2.. | 510 37 56-02..... | 1 | EZT, RT | 17.. | 587 22 53-01..... | 1 | CLIP |
| 3.. | 574 03 05-01..... | 1 | ROD, EZT BRAKE LT | 18.. | 539 97 69-88..... | 4 | CLIP |
| 4.. | 574 03 05-02..... | 1 | ROD, EZT BRAKE RT | 19.. | 587 11 53-01..... | 1 | PIN, CLEVIS |
| 5.. | 539 11 04-11..... | 1 | BELT, EZT | 20.. | 874 78 05-44..... | 4 | BOLT ⁵ / ₁₆ -18 x 2 ³ / ₄ |
| 6.. | 585 47 44-01..... | 1 | ROD, BYPASS LT | 21.. | 874 78 05-12..... | 2 | BOLT ⁵ / ₁₆ -18 x ³ / ₄ |
| 7.. | 585 47 45-01..... | 1 | ROD, BYPASS RT | 22.. | 874 78 05-36..... | 2 | BOLT ⁵ / ₁₆ -18 x 2 ¹ / ₄ |
| 8.. | 586 66 51-01..... | 2 | SPRING, BYPASS | 23.. | 874 78 06-40..... | 4 | BOLT ³ / ₈ -16 x 2 ¹ / ₂ |
| 9.. | 539 11 03-42..... | 2 | SPRING, BRAKE ROD | 24.. | 873 80 05-00..... | 8 | NUT ⁵ / ₁₆ -18 HEX NYLOC |
| 10.. | 539 12 00-80..... | 2 | COG, BRAKE DISC | 25.. | 873 80 04-00..... | 2 | NUT ¹ / ₄ -20 HEX NYLOC |
| 11.. | 539 12 00-79..... | 2 | ASSY, BRAKE ARM | 26.. | 819 11 11-16..... | 16 | WASHER ⁵ / ₁₆ SAE FLT |
| 12.. | 575 50 70-01..... | 1 | ASSY, HUB w/ NUTS | 27.. | 810 03 06-00..... | 4 | WASHER ³ / ₈ SPLT LCK |
| 13.. | 539 12 07-85..... | 2 | BLADE, FAN | 28.. | 819 13 13-16..... | 8 | WASHER ³ / ₈ SAE FLT |
| 14.. | 510 18 41-04..... | 2 | SPACER TUBE | 29.. | 819 09 10-16..... | 4 | WASHER ¹ / ₄ SAE FLT |
| 15.. | 580 80 65-02..... | 2 | SUPPORT, EZT FRT | | | | |

WHEELS AND TIRES



WHEELS AND TIRES

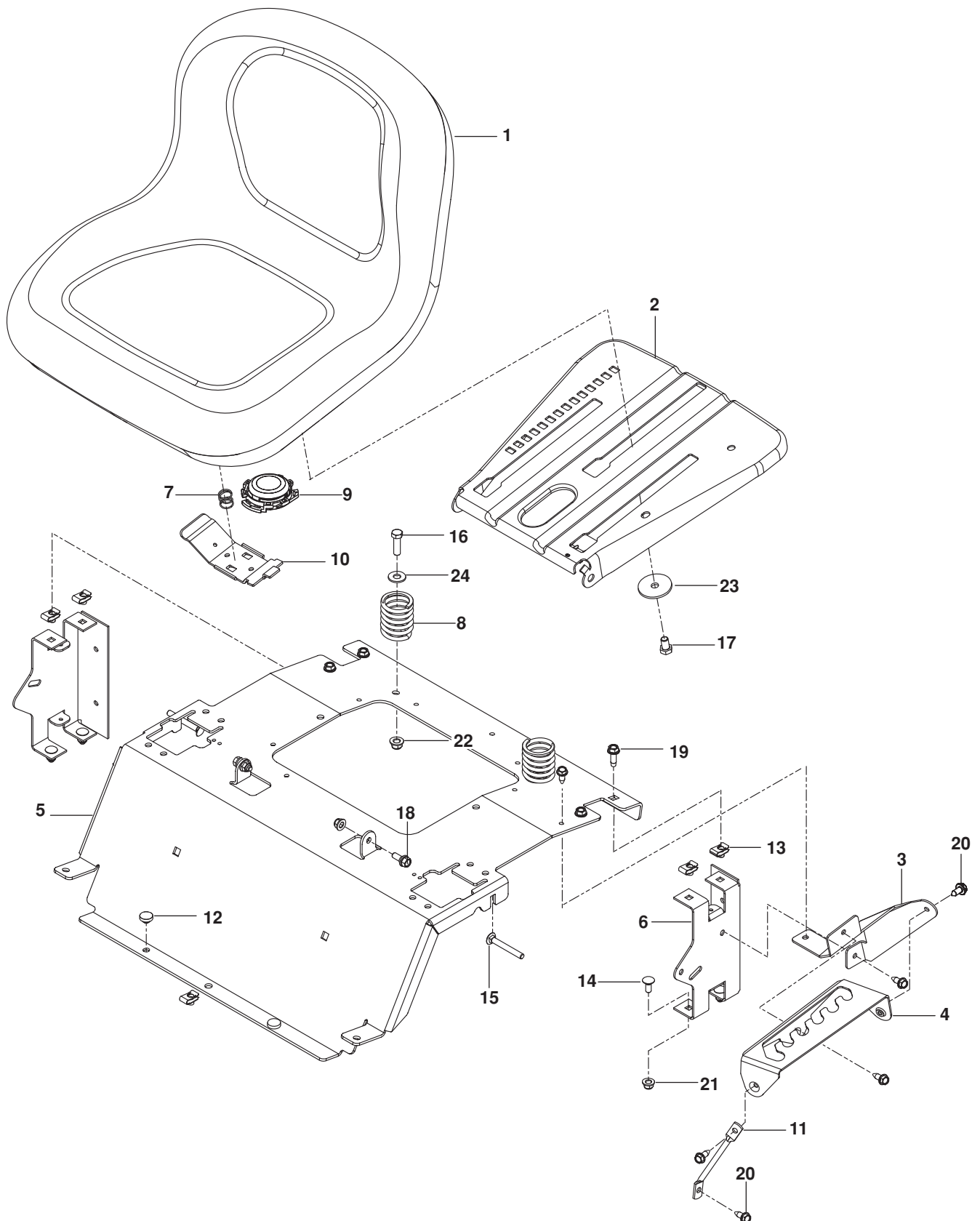
| ITEM | PART NO. | QTY. | DESCRIPTION |
|------|-------------------|--------|----------------------------|
| 1.. | 579 75 34-01..... | 2..... | ASSY, WHEEL REAR 18 x 9.5 |
| 2.. | 576 58 86-02..... | 2..... | ASSY, CASTER TIRE 11 x 6-5 |
| 3.. | 576 58 88-01..... | 2..... | YOKE, ORG |
| 4.. | 576 58 89-01..... | 2..... | SPACER, PIVOT |
| 5.. | 539 11 26-60..... | 2..... | BEARING, FLANGED |
| 6.. | 539 11 56-38..... | 2..... | ZERK $\frac{3}{16}$ DRIVE |
| 7.. | 539 11 57-49..... | 2..... | PLUG, CASTER |
| 8.. | 539 11 57-47..... | 2..... | SPRING, CASTER |

| ITEM | PART NO. | QTY. | DESCRIPTION |
|------|-------------------|--------|---|
| 9.. | 539 11 79-01..... | 2..... | BUSHING, CASTER |
| 10.. | 539 10 25-35..... | 1..... | CAP, GREASE |
| 11.. | 576 60 15-01..... | 2..... | BOLT $\frac{1}{2}$ -13 x 7 $\frac{1}{2}$ RD HD SQNK |
| 12.. | 874 95 05-16..... | 2..... | BOLT $\frac{5}{16}$ -18 x 1 w/ NYLON |
| 13.. | 873 93 08-00..... | 2..... | NUT $\frac{1}{2}$ HEX CNTRLK |
| 14.. | 539 10 11-73..... | 8..... | NUT $\frac{1}{2}$ LUG |
| 15.. | 539 11 56-75..... | 2..... | WASHER |
| 16.. | 819 18 22-12..... | 2..... | WASHER $\frac{1}{2}$ FLT |

MOWER DECK / CUTTING DECK

| ITEM | PART NO. | QTY. | DESCRIPTION | ITEM | PART NO. | QTY. | DESCRIPTION |
|------|-------------------|------|-----------------------|------|-------------------|------|--|
| 1.. | 581 07 10-01..... | 1 | DECK w/ SAFETY DECALS | 29.. | 539 11 55-74..... | 1 | EYEBOLT $\frac{5}{16}$ x $3\frac{1}{2}$ |
| 2.. | 539 11 72-45..... | 1 | BELT, DECK | 30.. | 539 97 69-89..... | 2 | CLIP |
| 3.. | 532 40 53-80..... | 2 | BLADE, HI-LIFT | 31.. | 532 19 51-61..... | 2 | STUD w/ANTI- ROTATE |
| 4.. | 532 40 55-06..... | 1 | SHIELD, BELT RH | 32.. | 532 19 34-06..... | 3 | BOLT $\frac{3}{8}$ -16 x $3\frac{5}{8}$ SHOULDER |
| 5.. | 532 40 55-07..... | 1 | SHIELD, BELT LH | 33.. | 539 11 36-21..... | 2 | BOLT $\frac{3}{8}$ -16 x $\frac{3}{8}$ SHOULDER |
| 6.. | 532 17 44-93..... | 2 | STRIPPER, UNIVERSAL | 34.. | 532 19 30-03..... | 2 | BOLT, WASHER |
| 7.. | 532 17 48-73..... | 3 | WHEEL, GAUGE | 35.. | 539 12 81-01..... | 1 | BOLT $\frac{3}{8}$ -16 x $2\frac{1}{4}$ RD HD SQNK |
| 8.. | 522 62 97-01..... | 1 | KEEPER, BELT | 36.. | 872 14 05-06..... | 6 | BOLT $\frac{5}{16}$ -18 x $\frac{3}{4}$ RD HD SQNK |
| 9.. | 532 19 61-04..... | 1 | PULLEY, IDLER | 37.. | 539 99 10-34..... | 1 | SCREW 10-24 x $\frac{5}{8}$ WSH HD |
| 10.. | 539 13 27-28..... | 1 | PULLEY, IDLER | 38.. | 532 17 39-84..... | 8 | SCREW $\frac{5}{16}$ -18 WSH HD |
| 11.. | 539 11 39-62..... | 2 | PULLEY, MANDREL | 39.. | 532 13 77-29..... | 4 | SCREW $\frac{1}{4}$ -20 x $\frac{5}{8}$ THD ROLL |
| 12.. | 539 12 09-20..... | 1 | SPRING, DECK BELT | 40.. | 578 29 64-04..... | 6 | SCREW $\frac{1}{4}$ -20 BTN HD |
| 13.. | 532 17 81-02..... | 1 | SPRING, TORSION | 41.. | 532 11 04-52..... | 1 | PUSHNUT |
| 14.. | 539 11 87-62..... | 1 | SPRING | 42.. | 874 78 07-40..... | 1 | BOLT $\frac{7}{16}$ -14 x $2\frac{1}{2}$ HEX HD |
| 15.. | 532 41 64-05..... | 1 | COUPLING, CONNECT | 43.. | 874 78 05-20..... | 1 | BOLT $\frac{5}{16}$ -18 x $1\frac{1}{4}$ HEX HD |
| 16.. | 532 41 55-98..... | 1 | PORT, WASHOUT | 44.. | 539 99 05-85..... | 2 | BOLT $\frac{5}{16}$ -18 HEX WHIZLK |
| 17.. | 532 40 31-49..... | 1 | BAFFLE, FRONT | 45.. | 539 20 02-82..... | 3 | NUT $\frac{3}{8}$ -16 HEX JAM NYLOC |
| 18.. | 532 40 31-50..... | 1 | BAFFLE, FRONT RH | 46.. | 532 40 02-34..... | 2 | NUT $\frac{9}{16}$ TOP CNTRLK |
| 19.. | 532 19 25-57..... | 1 | BRACKET, DEFLECTOR | 47.. | 539 11 91-24..... | 1 | NUT $\frac{7}{16}$ -14 HEX NYLOC |
| 20.. | 532 40 53-57..... | 1 | SHIELD, DEFLECTOR | 48.. | 873 90 06-00..... | 3 | NUT $\frac{3}{8}$ -16 FLG LCK |
| 21.. | 532 17 43-56..... | 2 | CUTTER HOUSING | 49.. | 539 11 28-99..... | 3 | NUT $\frac{5}{16}$ -18 HEX FLG NYLOC |
| 22.. | 539 11 20-76..... | 1 | BUSHING, IDLER | 50.. | 873 80 05-00..... | 8 | NUT $\frac{5}{16}$ -18 HEX NYLOC |
| 23.. | 532 11 04-85..... | 1 | BEARING | 51.. | 873 90 04-00..... | 6 | NUT $\frac{1}{4}$ -20 HEX FLG |
| 24.. | 532 17 43-60..... | 1 | SHAFT | 52.. | 532 18 76-90..... | 2 | WASHER, SPACER |
| 25.. | 532 13 14-91..... | 1 | ROD, HINGE | 53.. | 819 13 20-12..... | 3 | WASHER 12 GA |
| 26.. | 574 68 90-02..... | 1 | ARM, IDLER | 54.. | 539 10 48-64..... | 2 | WASHER $\frac{7}{16}$ FLT |
| 27.. | 585 31 77-05..... | 1 | PLATE FRT | 55.. | 539 10 95-62..... | 4 | WASHER $\frac{3}{8}$ |
| 28.. | 585 31 78-05..... | 1 | PLATE, SIDE | 56.. | 819 21 21-13..... | 2 | WASHER $\frac{5}{8}$ SAE FLT |

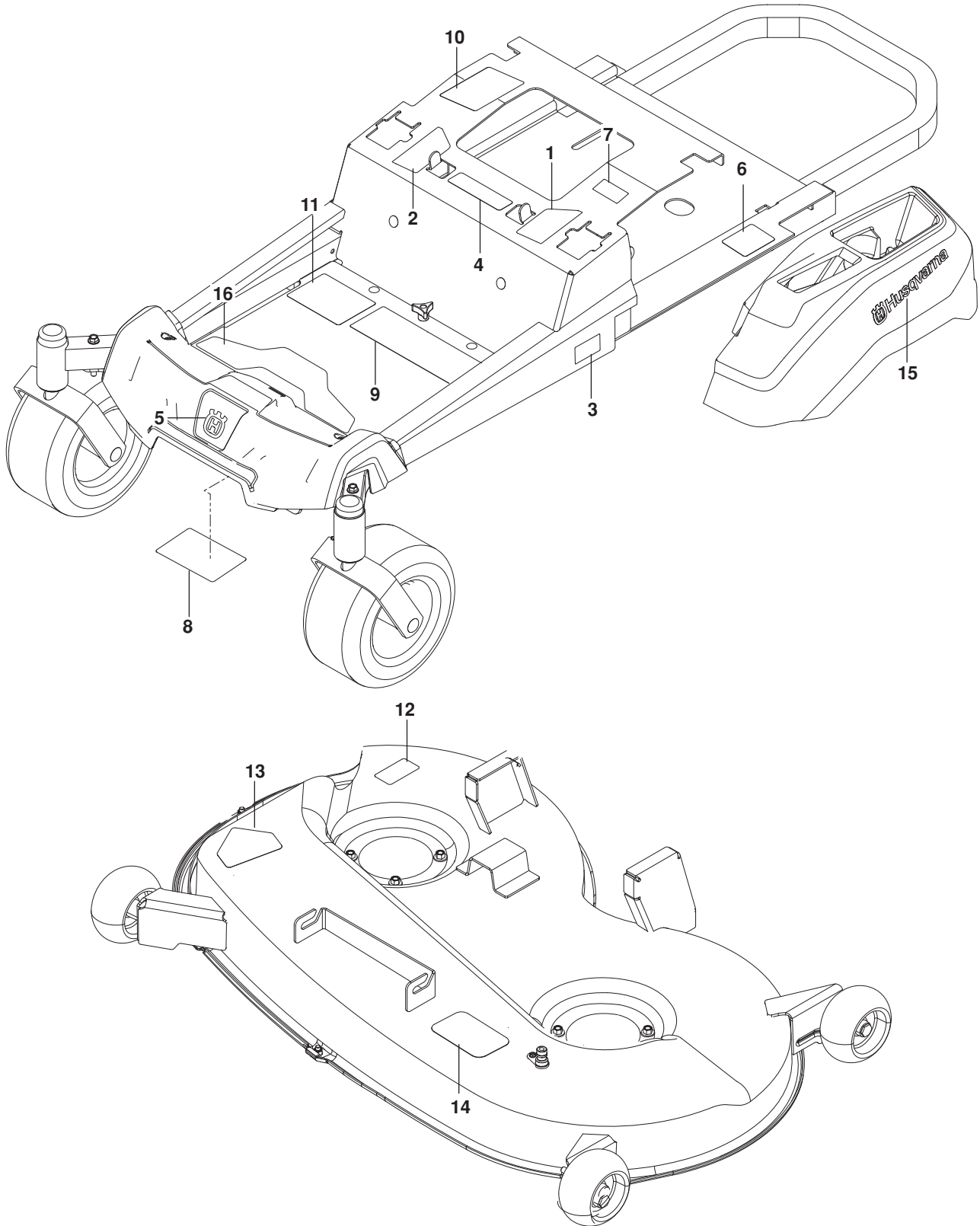
SEAT



SEAT

| ITEM | PART NO. | QTY. | DESCRIPTION | ITEM | PART NO. | QTY. | DESCRIPTION |
|------|-------------------|---------|----------------------|------|-------------------|---------|--|
| 1.. | 532 43 98-22..... | 1 | SEAT | 13.. | 539 10 47-63..... | 5 | RETAINER, U TYPE |
| 2.. | 532 19 69-77..... | 1 | PAN, SEAT | 14.. | 872 14 05-06..... | 4 | BOLT ⁵ / ₁₆ -18 x ³ / ₄ RD HD SQNK |
| 3.. | 586 22 08-02..... | 1 | PLATE, LIFT SUPPORT | 15.. | 510 42 27-01..... | 2 | BOLT ⁵ / ₁₆ -18 x 2 ¹ / ₂ RD HD SQNK |
| 4.. | 586 22 12-02..... | 1 | PLATE, DECK LIFT | 16.. | 874 78 06-20..... | 2 | BOLT ³ / ₈ -16 x 1 ¹ / ₄ |
| 5.. | 577 26 05-03..... | 1 | SUPPORT, SEAT ORG | 17.. | 874 78 06-10..... | 1 | BOLT ³ / ₈ -16 x ⁵ / ₈ |
| 6.. | 580 30 82-02..... | 2 | SUPPORT, SEAT RR BLK | 18.. | 539 11 03-03..... | 2 | BOLT ⁵ / ₁₆ -18 SHOULDER |
| 7.. | 532 19 82-00..... | 1 | SPRING, LATCH | 19.. | 817 49 05-12..... | 4 | SCREW ⁵ / ₁₆ -18 x ³ / ₄ THD FRM |
| 8.. | 532 12 41-81..... | 2 | SPRING, SEAT | 20.. | 817 00 05-10..... | 6 | SCREW ⁵ / ₁₆ -18 x ⁵ / ₈ WSH HD |
| 9.. | 532 40 15-85..... | 1 | SWITCH, SEAT | 21.. | 539 11 28-99..... | 4 | NUT ⁵ / ₁₆ -18 HEX FLG NYLOC |
| 10.. | 532 19 76-61..... | 1 | HANDLE, SLIDE | 22.. | 521 99 65-01..... | 2 | NUT ³ / ₈ -16 HEX FLG NYLOC |
| 11.. | 586 42 86-01..... | 1 | LEG, SUPPORT | 23.. | 539 11 18-97..... | 1 | WASHER ³ / ₈ SPECIAL |
| 12.. | 585 98 93-01..... | 2 | GROMMET, BUMPER | 24.. | 819 14 16-14..... | 2 | WASHER ³ / ₈ STD FLT |

DECALS



DECALS

| ITEM | PART NO. | QTY. | DESCRIPTION | ITEM | PART NO. | QTY. | DESCRIPTION |
|------|-------------------|---------|-------------------------|------|-------------------|---------|------------------------|
| 1.. | 587 59 65-01..... | 1 | DECAL, STEER / BRAKE LT | 9.. | 539 10 99-08..... | 1 | DECAL, SAFETY WARNINGS |
| 2.. | 587 59 55-01..... | 1 | DECAL, STEER / BRAKE RT | 10.. | 532 42 38-29..... | 1 | DECAL, RESPONSIBILITY |
| 3.. | 587 21 93-01..... | 2 | DECAL, Z 246 | 11.. | 586 25 84-01..... | 1 | DECAL, START |
| 4.. | 539 10 57-45..... | 1 | DECAL, BATTERY WARNING | 12.. | 581 72 44-01..... | 1 | DECAL, DEFLECTOR |
| 5.. | 532 42 86-77..... | 1 | DECAL, CROWN | 13.. | 584 90 46-01..... | 1 | DECAL, BLADE DANGER |
| 6.. | 539 10 83-85..... | 1 | DECAL, DO NOT TOW | 14.. | 510 24 02-01..... | 1 | DECAL, BELT ROUTING |
| 7.. | 539 10 83-86..... | 1 | DECAL, EXIT MOWER | 15.. | 577 46 90-01..... | 2 | DECAL, HUSQVARNA |
| 8.. | 539 10 98-97..... | 1 | DECAL, SERVICE | 16.. | 587 00 07-01..... | 1 | PAD, ABRASIVE |

www.husqvarna.com

115 72 01-27 Rev C
2015-01-30