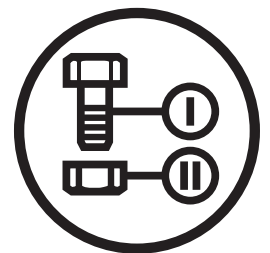




Parts Manual

Z 248F

Zero Turn Mower / 967303601-00



Please read the operator manual carefully and make sure you understand the instructions before using the machine.

When you need spare parts or support in service questions, warranty issues, etc., please consult the following professional:

This manual belongs to the machine with the manufacturing number:	Engine	Transmission

Manufacturing Number

The machine's manufacturing number can be found on the printed plate affixed to the engine compartment.

Stated on the plate, from the top are:

- The machine's type designation (I.D.).
- The manufacturer's type number (Model).
- The machine's serial number (Serial no.)

Please have the type designation and serial number available when ordering spare parts.

The engine's manufacturing number is stamped on one of the valve covers.

The plate states:

- The engine's model.
- The engine's type.
- Code

Please have these available when ordering spare parts.

The wheel motors and hydrostatic pumps have a barcode decal affixed at the rear.

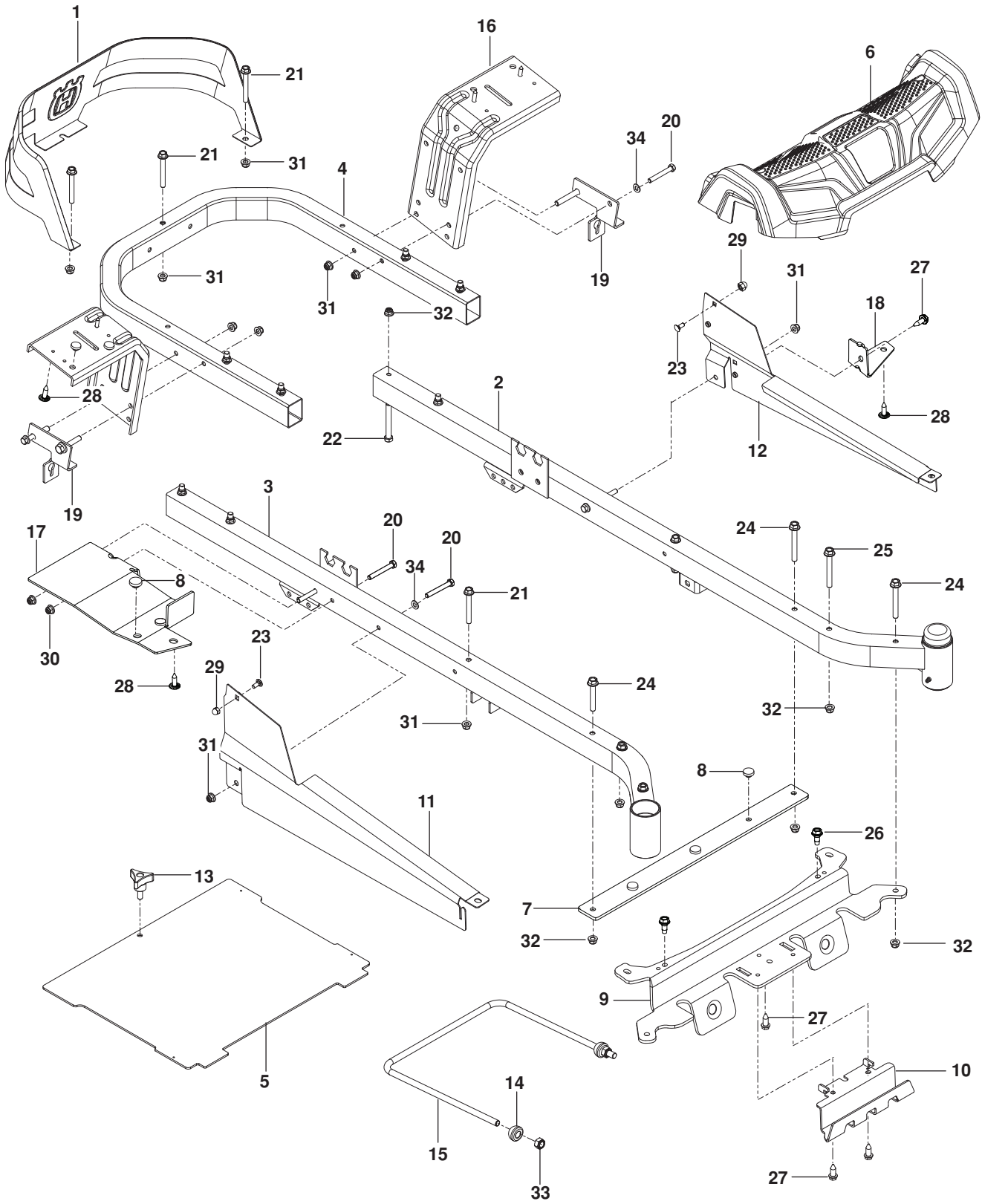
CONTENTS

FRAME.....	4
ENGINE PLATE.....	6
STEERING	8
IGNITION.....	10
BRAKE / LIFT.....	12
HYDRAULIC PUMP - MOTOR.....	14
WHEELS AND TIRES.....	16
MOWER DECK / CUTTING DECK.....	18
SEAT	20
DECALS.....	22
ACCESSORIES	
BLOWER.....	24
CHUTES	26
BAGGER.....	28
SHIELD, MOUNTS, WEIGHTS, BELT.....	30
MULCH KIT	32

Illustrations may or may not represent the actual assemblies and it is not recommended to use this manual as a guide to assemble or disassemble the mower.

NOTE: All fasteners are Grade 5 unless otherwise specified.

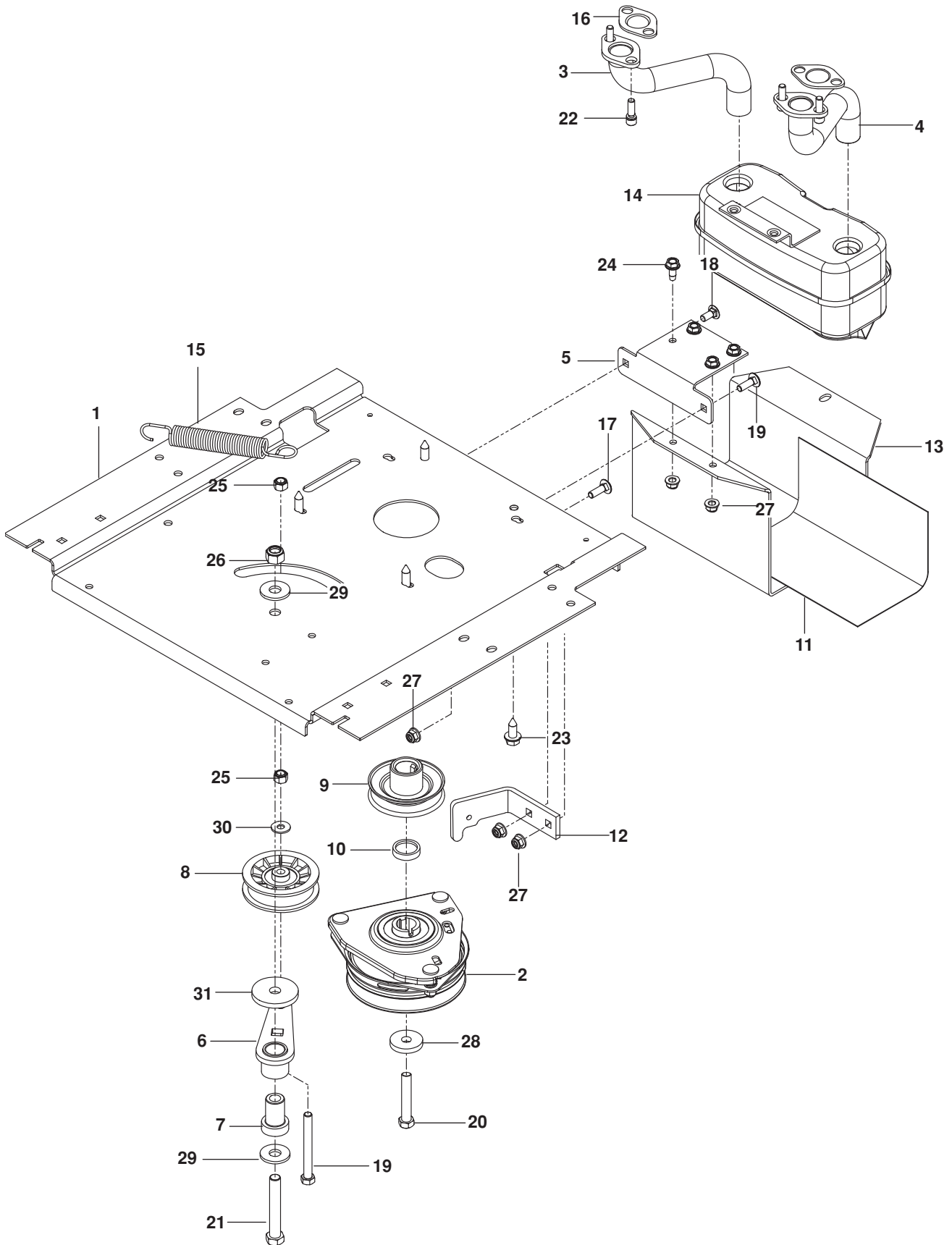
FRAME



FRAME

ITEM	PART NO.	QTY.	DESCRIPTION	ITEM	PART NO.	QTY.	DESCRIPTION
1..	585 03 98-02.....	1	GUARD, REAR BLK	18..	585 52 36-04.....	1	SUPPORT, CONSOLE LT
2..	510 17 75-03.....	1	FRAME, FRONT RT ORG	19..	585 47 43-02.....	2	BRACKET, BYPASS ROD
3..	510 17 74-03.....	1	FRAME, FRONT LT ORG	20..	874 78 05-36.....	8	BOLT ⁵ / ₁₆ -18 x 2¼
4..	584 99 10-02.....	1	FRAME, REAR TUBE ORG	21..	874 78 05-44.....	5	BOLT ⁵ / ₁₆ -18 x 2¾
5..	522 84 29-02.....	1	FOOT PLATE w/ SAFETY DECAL	22..	874 78 06-48.....	8	BOLT ³ / ₈ -16 x 3
6..	585 52 24-01.....	1	COVER, FOOTREST	23..	585 94 00-01.....	2	BOLT ⁵ / ₁₆ -18 x 1 CARRIAGE
7..	585 52 30-04.....	1	SUPPORT, FOOTREST	24..	577 11 77-01.....	4	BOLT ³ / ₈ -16 x 3
8..	585 98 93-01.....	7	GROMMET, BUMPER	25..	586 65 43-01.....	2	BOLT ³ / ₈ -16 x 3 SHOULDER
9..	585 52 31-04.....	1	CROSS MEMBER	26..	586 88 11-01.....	2	BOLT ⁵ / ₁₆ -18 SHOULDER
10..	585 52 32-04.....	1	PLATE, SKID SILV	27..	817 00 05-10.....	4	SCREW ⁵ / ₁₆ -18 x ⁵ / ₈ WSH HD
11..	585 33 16-02.....	1	COVER, RAIL RT	28..	532 41 63-58.....	6	SCREW #10-24 x ³ / ₄ HEX HD
12..	585 33 15-02.....	1	COVER, RAIL LT	29..	585 93 81-01.....	2	NUT ⁵ / ₁₆ -18 ACORN
13..	539 10 44-11.....	1	KNOB w/ STUD	30..	873 90 05-00.....	2	NUT ⁵ / ₁₆ -18 HEX FLG LCK
14..	532 19 52-63.....	2	BUSHING, PIVOT	31..	539 11 28-99.....	9	NUT ⁵ / ₁₆ -18 HEX FLG NYLOC
15..	521 93 81-01.....	1	LINK, FRONT SUSPENSION	32..	521 99 65-01.....	8	NUT ³ / ₈ -16 HEX FLG NYLOC
16..	580 50 13-02.....	2	SUPPORT, FENDER BLK	33..	539 11 91-24.....	2	NUT ⁷ / ₁₆ -14 HEX NYLOC
17..	585 52 34-04.....	1	SUPPORT, CONSOLE RT	34..	819 11 11-16.....	6	WASHER ⁵ / ₁₆ SAE FLT

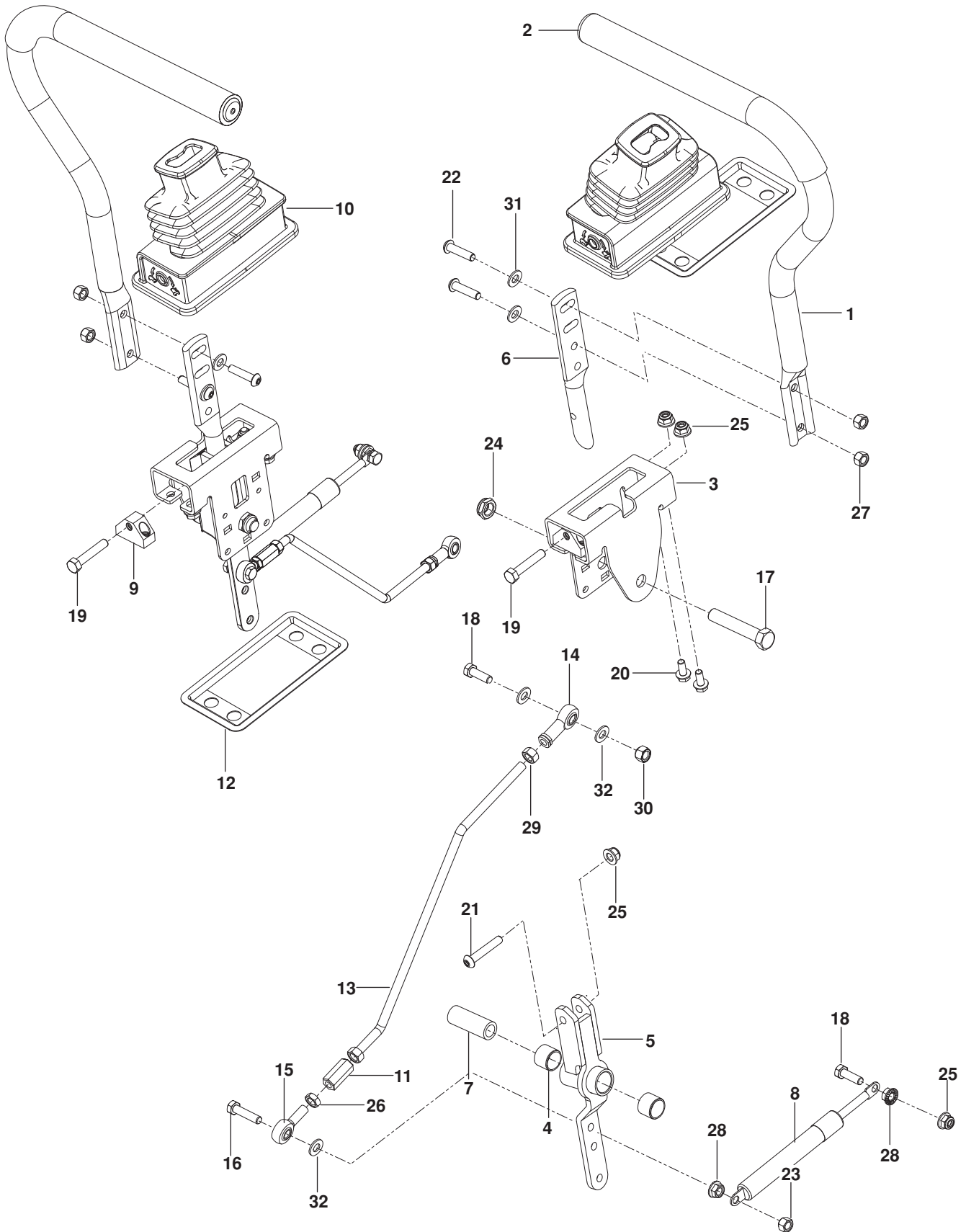
ENGINE PLATE



ENGINE PLATE

ITEM	PART NO.	QTY.	DESCRIPTION	ITEM	PART NO.	QTY.	DESCRIPTION
1..	587 48 07-01.....	1	PLATE, ENGINE BLK	17..	872 14 05-08.....	2	BOLT ⁵ / ₁₆ -18 x 1 RD HD SQNK
2..	532 40 00-08.....	1	CLUTCH	18..	872 14 05-06.....	1	BOLT ⁵ / ₁₆ -18 x ³ / ₄ RD HD SQNK
3..	581 88 11-01.....	1	TUBE, EXHAUST RT	19..	874 52 06-56.....	1	BOLT ³ / ₈ -16 x 3 ¹ / ₂ HEX HD
4..	581 88 10-01.....	1	TUBE, EXHAUST LT	20..	581 33 28-03.....	1	BOLT ⁷ / ₁₆ -20 x 2 ¹ / ₂ HEX HD
5..	581 88 67-02.....	1	BRACKET, MUFFLER BLK	21..	874 78 08-52.....	1	BOLT ¹ / ₂ -13 x 3 ¹ / ₄ HEX HD
6..	532 44 81-45.....	1	ARM, IDLER	22..	532 18 39-06.....	4	SCREW, SCKT HD
7..	539 10 12-31.....	1	SPINDLE, IDLER	23..	817 12 06-16.....	4	SCREW ³ / ₈ -16 x 1 THD FRM
8..	539 11 03-11.....	1	PULLEY, IDLER	24..	817 49 05-12.....	4	SCREW ⁵ / ₁₆ -18 x ³ / ₄ THD FRM
9..	539 11 45-30.....	1	PULLEY, ENGINE	25..	539 97 69-79.....	2	NUT ³ / ₈ -16 HEX NYLOC
10..	577 09 46-01.....	1	SPACER	26..	873 80 08-00.....	1	NUT ¹ / ₂ -13 HEX NYLOC
11..	539 13 28-59.....	1	SHIELD, HEAT	27..	539 11 28-99.....	5	NUT ⁵ / ₁₆ -18 HEX FLG NYLOC
12..	522 44 25-06.....	1	STOP, CLUTCH BLK	28..	532 12 61-97.....	1	WASHER, CLUTCH
13..	587 45 12-02.....	1	GUARD, MUFFLER BLK	29..	819 18 22-12.....	2	WASHER ⁹ / ₁₆ FLT
14..	539 13 16-04.....	1	MUFFLER ASSY	30..	819 12 14-14.....	2	WASHER ⁵ / ₁₆ STD FLT
15..	532 19 61-05.....	1	SPRING, DECK DRIVE	31..	539 11 26-70.....	1	WASHER, HEAVY
16..	532 16 53-91.....	2	GASKET, MUFFLER				

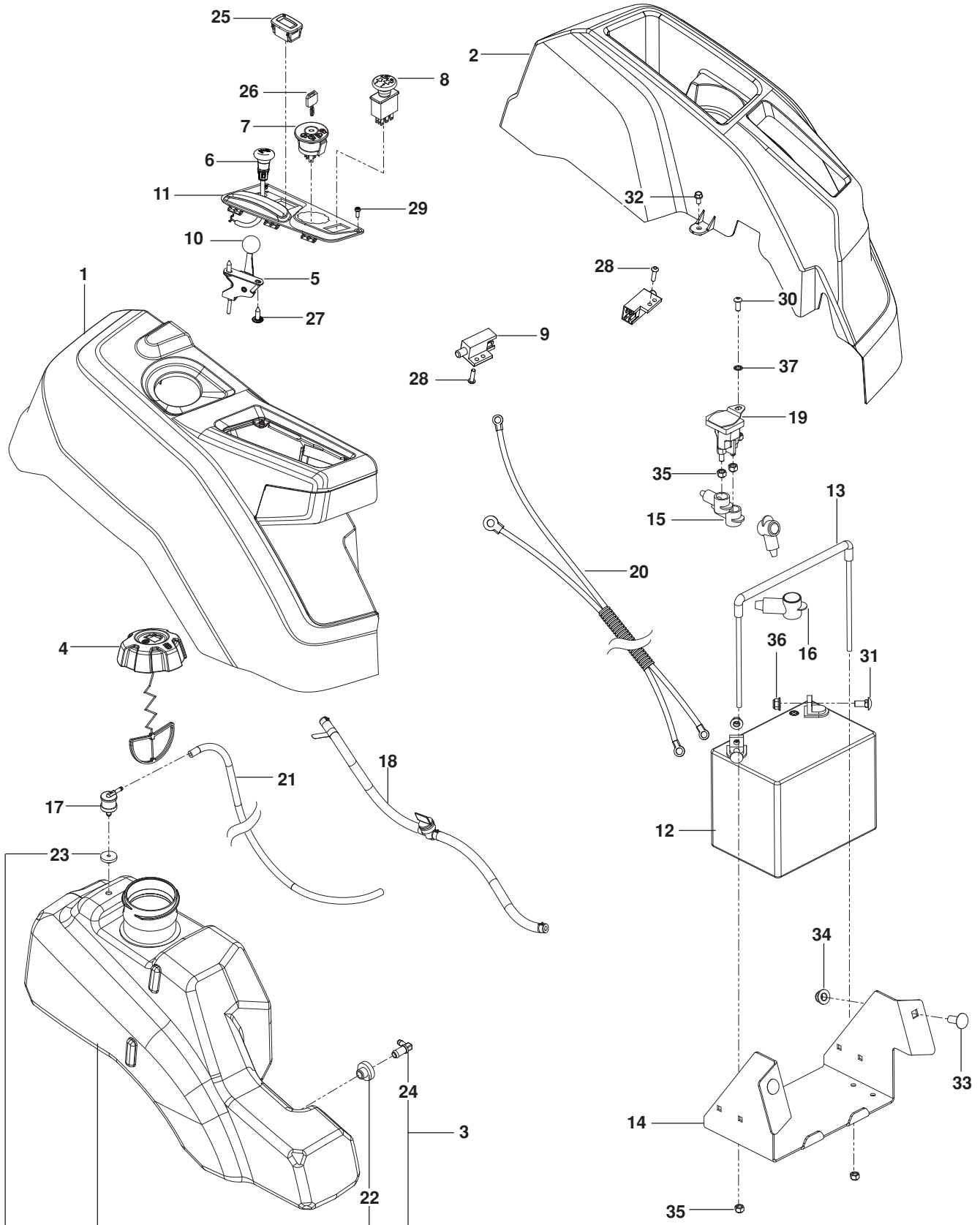
STEERING



STEERING

ITEM	PART NO.	QTY.	DESCRIPTION	ITEM	PART NO.	QTY.	DESCRIPTION
1..	581 82 67-01.....	2.....	LEVER w/ GRIP	17..	874 78 08-44.....	2.....	BOLT 1/2-13 x 2 3/4
2..	525 39 29-01.....	2.....	GRIP, FOAM	18..	874 78 05-16.....	4.....	BOLT 5/16-18 x 1 THD FRM
3..	585 12 47-02.....	2.....	BRACKET, CONTROL	19..	585 98 61-01.....	2.....	BOLT 5/16-18 x 1 1/4
4..	532 43 82-82.....	4.....	BEARING	20..	874 49 05-12.....	8.....	BOLT 5/16-18 X 3/4 HEX FLG
5..	576 14 03-01.....	2.....	LEVER, CONTROL	21..	576 85 04-02.....	2.....	SCREW 5/16-18 X 1 3/4 BTN HD
6..	577 42 00-01.....	2.....	LEVER, HANDLE	22..	585 98 59-01.....	4.....	SCREW 5/16-18 X 1 1/4 BTN HD BLK
7..	584 92 72-01.....	2.....	SPACER, PIVOT CONTROL	23..	873 80 05-00.....	2.....	NUT 5/16-18 HEX NYLOC
8..	539 10 27-20.....	2.....	DAMPENER	24..	539 10 80-10.....	2.....	NUT 1/2-13 HEX JAM NYL GR2
9..	581 43 75-01.....	2.....	BLOCK, TRACKING	25..	539 11 28-99.....	12.....	NUT 5/16-18 HEX FLG NYLOC
10..	585 83 16-01.....	2.....	BOOT, STEERING	26..	873 70 05-00.....	2.....	NUT 5/16-24 HEX JAM LH
11..	539 11 66-89.....	2.....	COUPLER, ROD END	27..	585 98 60-01.....	4.....	NUT 5/16-18 HEX NYLOC BLK
12..	585 48 82-02.....	2.....	FLANGE, BOOT	28..	539 99 05-85.....	4.....	NUT 5/16-18 HEX WHIZLK
13..	580 62 42-01.....	2.....	ROD, MOTION CONTROL	29..	539 99 02-23.....	4.....	NUT 5/16-24 HEX
14..	539 11 57-29.....	2.....	ROD END RH	30..	539 11 56-17.....	2.....	NUT 5/16-18 THIN NYLOC
15..	539 11 66-90.....	2.....	ROD END MALE LH	31..	586 30 91-01.....	4.....	WASHER 5/16 SAE FLT BLK
16..	874 78 05-28.....	2.....	BOLT 5/16-18 x 1 1/4 TPBLT	32..	819 11 11-16.....	6.....	WASHER 5/16 SAE FLT

IGNITION

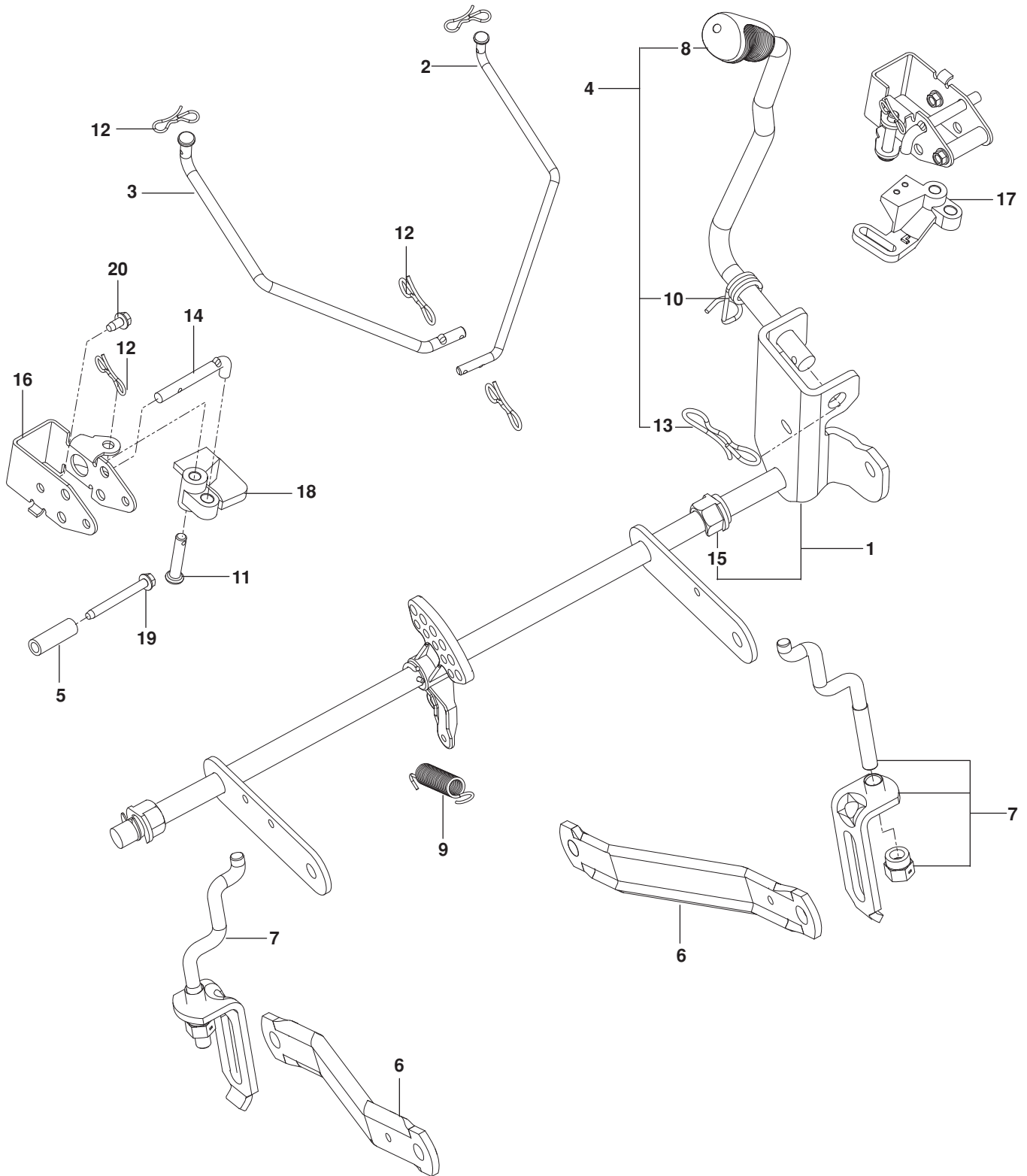


IGNITION

ITEM	PART NO.	QTY.	DESCRIPTION
1..	585 52 28-01.....	1	ASSY, FENDER, RT GRY
2..	585 52 29-01.....	1	FENDER, LT GRY
3..	578 18 06-02.....	1	ASSY, FUEL TANK
4..	585 12 48-01.....	1	CAP, FUEL w/ TETHER
5..	539 11 24-38.....	1	CABLE, THROTTLE
6..	586 88 15-01.....	1	CONTROL, CHOKE
7..	539 10 75-41.....	1	SWITCH, IGNITION
8..	532 17 46-52.....	1	SWITCH, CLUTCH
9..	587 60 15-01.....	2	SWITCH, INTERLOCK
10..	539 13 30-49.....	1	KNOB
11..	585 52 27-01.....	1	PANEL, CONTROL
12..	539 10 24-36.....	1	BATTERY
13..	539 13 12-09.....	1	TIE DOWN, BATTERY
14..	585 04 87-02.....	1	BOX, BATTERY BLK
15..	532 13 15-63.....	3	TERMINAL COVER
16..	539 10 27-59.....	1	INSULATOR
17..	576 61 81-01.....	1	VALVE, FUEL CHECK
18..	586 12 39-04.....	1	ASSY, FUEL LINE w/ VALVE
19..	532 19 25-07.....	1	SOLENOID
20..	587 19 86-01.....	1	HARNESS, BATTERY CABLE

ITEM	PART NO.	QTY.	DESCRIPTION
21..	587 04 45-23.....	1	HOSE $\frac{3}{16}$ x 23" PURGE
22..	532 00 36-45.....	1	GROMMET, RUBBER
23..	532 43 74-92.....	1	GROMMET, CHECK VALVE
24..	532 13 92-77.....	1	ELBOW
25..	586 16 18-01.....	1	METER, SERVICE
26..	532 14 04-01.....	1	KEY, IGNITION
27..	532 14 18-41.....	2	SCREW 10-16 x .65
28..	586 93 60-01.....	2	SCREW #10-24 x $\frac{1}{2}$ SKT HD
29..	545 22 71-01.....	2	SCREW 6-19 x $\frac{7}{16}$ PAN HD
30..	539 11 12-29.....	1	SCREW $\frac{1}{4}$ -20 x $\frac{5}{8}$ BTN SKT
31..	872 14 05-06.....	2	BOLT $\frac{5}{16}$ -18 x $\frac{3}{4}$ RDHD SQNK
32..	817 49 04-08.....	2	BOLT $\frac{1}{4}$ -20 x $\frac{1}{2}$
33..	539 99 06-45.....	2	BOLT $\frac{3}{8}$ -16 x 1 RDHD SQNK
34..	521 99 65-01.....	2	NUT $\frac{3}{8}$ -16 HEX FLG NYLOC
35..	873 80 04-00.....	5	NUT $\frac{1}{4}$ -20 HEX NYLOC
36..	539 11 28-99.....	2	NUT $\frac{5}{16}$ -18 FLANGE NYLOC
37..	539 99 00-53.....	1	WASHER $\frac{1}{4}$ ITLW
NOT SHOWN			
	586 33 73-01	1	HARNESS, WIRING

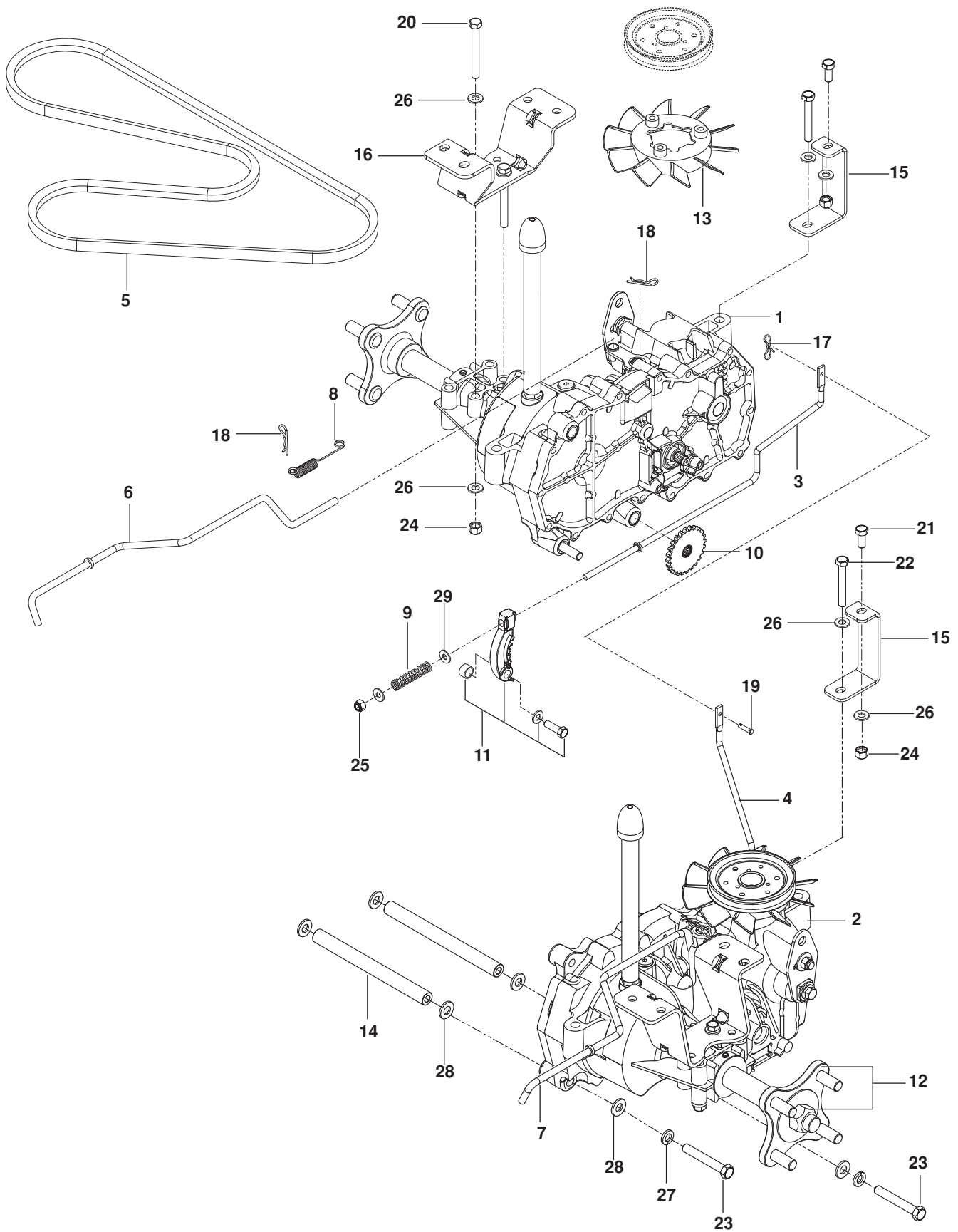
BRAKE / LIFT



BRAKE / LIFT

ITEM	PART NO.	QTY.	DESCRIPTION	ITEM	PART NO.	QTY.	DESCRIPTION
1..	587 62 31-01.....	1	ASSY, SHAFT w/ NUTS, E-RINGS	11..	585 70 14-01.....	2	PIN ½ CLEVIS
2..	586 45 71-01.....	1	LINK, BRAKE LT	12..	587 22 53-01.....	6	CLIP
3..	586 45 72-01.....	1	LINK, BRAKE RT	13..	532 19 42-09.....	1	CLIP
4..	587 62 29-01.....	1	ASSY, LIFT HANDLE	14..	585 68 20-01.....	2	PUSHROD
5..	580 48 61-01.....	2	SPACER	15..	510 18 49-01.....	2	NUT, PLASTIC
6..	532 19 51-85.....	2	ARM, SUSPENSION RR	16..	585 68 21-01.....	2	BRACKET, BELLCRANK
7..	587 62 30-01.....	2	ASSY, CENTERING LNK	17..	586 45 74-01.....	1	BELLCRANK LT
8..	532 44 50-60.....	1	GRIP, HANDLE	18..	586 45 75-01.....	1	BELLCRANK RT
9..	586 86 76-01.....	1	SPRING	19..	586 56 13-01.....	2	SCREW ¼-20 x 2¼ THD ROLL
10..	532 19 63-14.....	1	SPRING	20..	532 13 77-29.....	2	SCREW ¼-20 x 5/8 THD ROLL

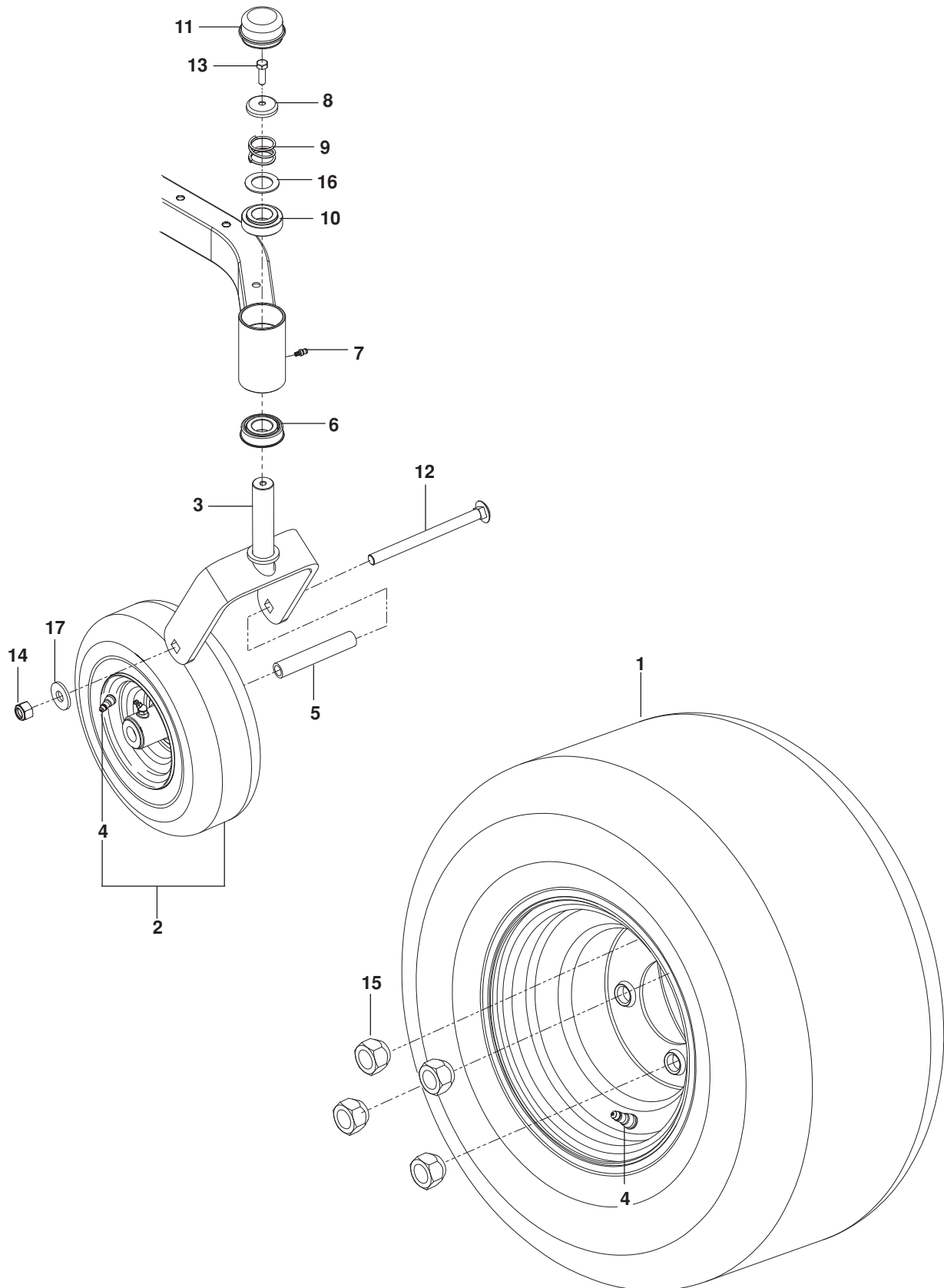
HYDRAULIC PUMP - MOTOR



HYDRAULIC PUMP-MOTOR

ITEM	PART NO.	QTY.	DESCRIPTION	ITEM	PART NO.	QTY.	DESCRIPTION
1..	510 37 56-01.....	1	EZT, LT	16..	580 80 66-02.....	2	MOUNT, EZT RR BLK
2..	510 37 56-02.....	1	EZT, RT	17..	587 22 53-01.....	1	CLIP
3..	574 03 05-01.....	1	ROD, EZT BRAKE LT	18..	539 97 69-88.....	4	CLIP
4..	574 03 05-02.....	1	ROD, EZT BRAKE RT	19..	587 11 53-01.....	1	PIN, CLEVIS
5..	539 11 04-11.....	1	BELT, EZT	20..	874 78 05-44.....	4	BOLT ⁵ / ₁₆ -18 x 2 ³ / ₄
6..	585 47 44-01.....	1	ROD, BYPASS LT	21..	874 78 05-12.....	2	BOLT ⁵ / ₁₆ -18 x ³ / ₄
7..	585 47 45-01.....	1	ROD, BYPASS RT	22..	874 78 05-36.....	2	BOLT ⁵ / ₁₆ -18 x 2 ¹ / ₄
8..	586 66 51-01.....	2	SPRING, BYPASS	23..	874 78 06-40.....	4	BOLT ³ / ₈ -16 x 2 ¹ / ₂
9..	539 11 03-42.....	2	SPRING, BRAKE ROD	24..	873 80 05-00.....	8	NUT ⁵ / ₁₆ -18 HEX NYLOC
10..	539 12 00-80.....	2	COG, BRAKE DISC	25..	873 80 04-00.....	2	NUT ¹ / ₄ -20 HEX NYLOC
11..	539 12 00-79.....	2	ASSY, BRAKE ARM	26..	819 11 11-16.....	14	WASHER ⁵ / ₁₆ SAE FLT
12..	575 50 70-01.....	1	ASSY, HUB w/ NUTS	27..	810 03 06-00.....	4	WASHER ³ / ₈ SPLT LCK
13..	539 12 07-85.....	2	BLADE, FAN	28..	819 13 13-16.....	8	WASHER ³ / ₈ SAE FLT
14..	510 18 41-04.....	2	SPACER TUBE	29..	819 09 10-16.....	4	WASHER ¹ / ₄ SAE FLT
15..	580 80 65-02.....	2	SUPPORT, EZT FRT				

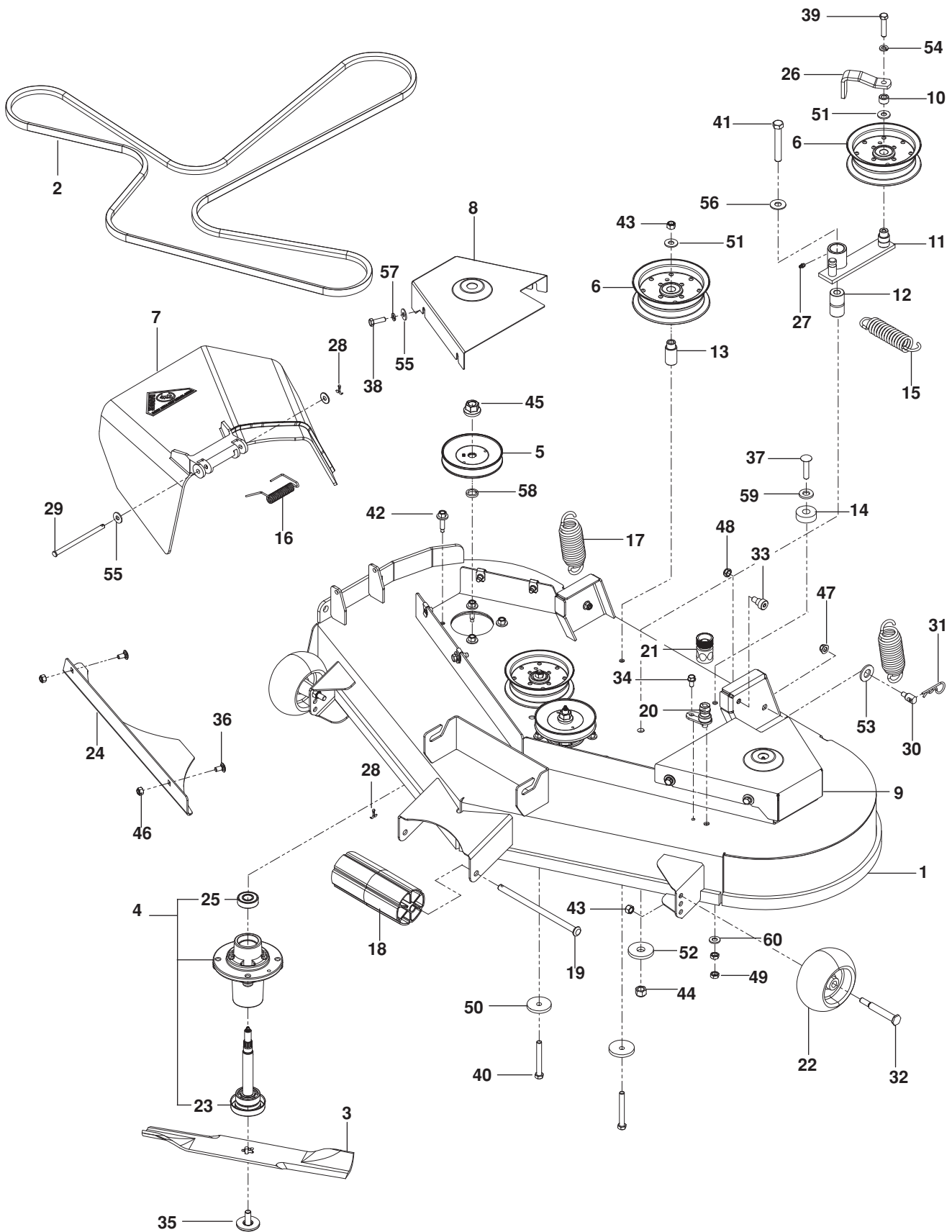
WHEELS AND TIRES



WHEELS AND TIRES

ITEM	PART NO.	QTY.	DESCRIPTION	ITEM	PART NO.	QTY.	DESCRIPTION
1..	579 75 34-01.....	2.....	ASSY, REAR WHEEL 18 x 9.5	10..	539 11 79-01.....	2.....	BUSHING, CASTER
2..	576 58 86-02.....	2.....	ASSY, CASTER TIRE	11..	539 10 25-35.....	1.....	CAP, GREASE
3..	576 58 88-02.....	2.....	YOKE, ORG	12..	576 60 15-01.....	2.....	BOLT 1/2-13 x 7 1/2 RD HD SQNK
4..	539 91 22-34.....	4.....	VALVE STEM	13..	874 95 05-16.....	2.....	BOLT 5/16-18 x 1 w/ NYLON
5..	576 58 89-01.....	2.....	SPACER	14..	873 93 08-00.....	2.....	NUT 1/2 HEX CNTRLK
6..	539 11 26-60.....	2.....	BEARING, FLANGED	15..	539 10 11-73.....	8.....	NUT 1/2 LUG
7..	539 11 56-38.....	2.....	ZERK 3/16 DRIVE	16..	539 11 56-75.....	2.....	WASHER
8..	539 11 57-49.....	2.....	PLUG, CASTER	17..	819 18 22-12.....	2.....	WASHER 9/16 FLT
9..	539 11 57-47.....	2.....	SPRING, CASTER				

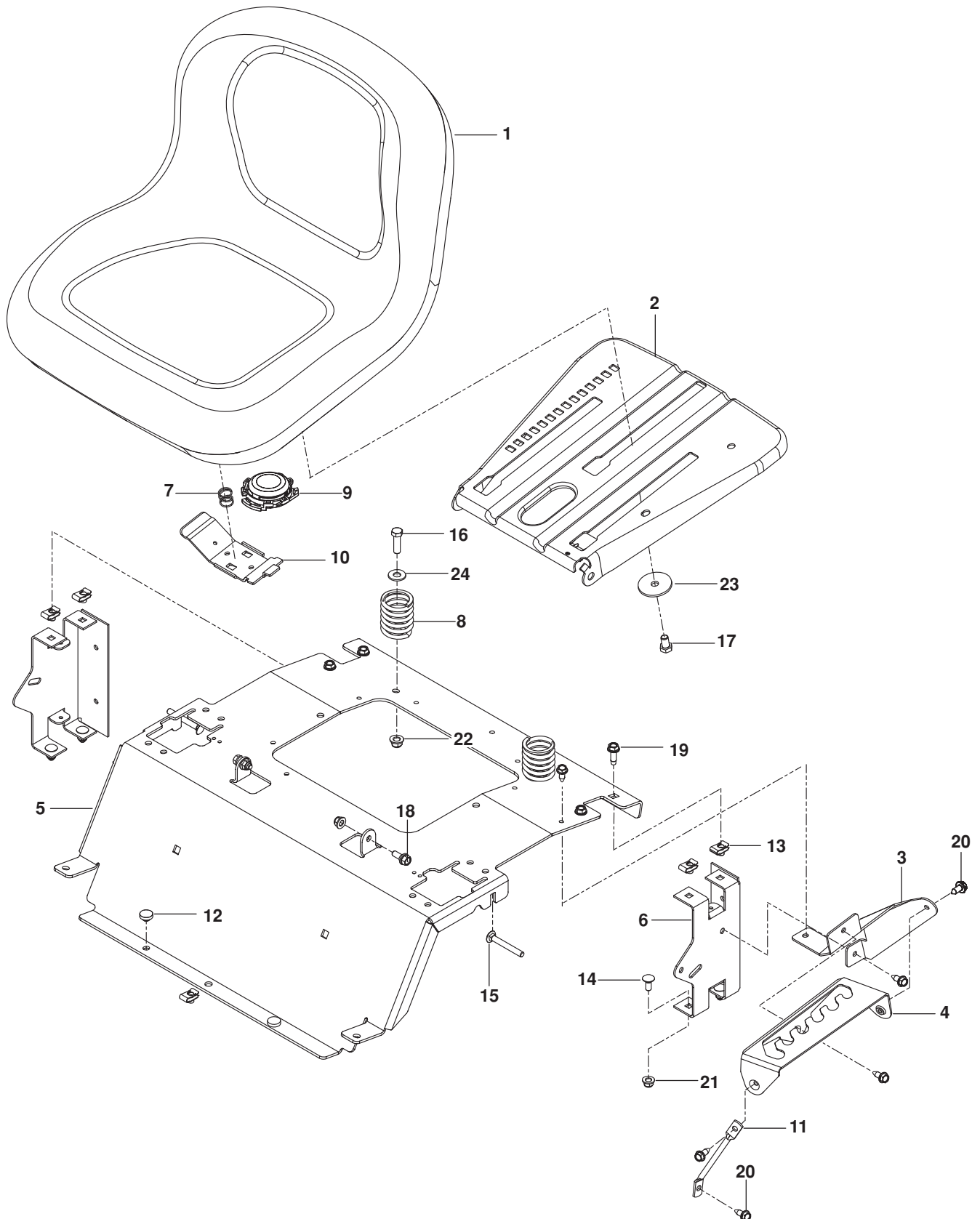
MOWER DECK / CUTTING DECK



MOWER DECK / CUTTING DECK

ITEM	PART NO.	QTY.	DESCRIPTION	ITEM	PART NO.	QTY.	DESCRIPTION
1..	522 53 48-05.....	1	DECK w/ SAFETY DECALS	31..	539 97 69-89.....	2	HAIRPIN
2..	539 10 92-43.....	1	BELT, DECK	32..	532 19 34-06.....	2	BOLT $\frac{3}{8}$ -16 x $\frac{3}{8}$ SHOULDER
3..	539 11 34-25.....	3	BLADE	33..	539 11 36-21.....	2	BOLT $\frac{3}{8}$ -16 x $1\frac{1}{4}$ SHOULDER
4..	539 11 21-70.....	3	ASSY, MANDREL	34..	817 49 04-08.....	1	BOLT $\frac{1}{4}$ -20 x $\frac{1}{2}$ HWST
5..	532 17 34-36.....	3	PULLEY, MANDREL	35..	532 19 30-03.....	3	BOLT $\frac{7}{16}$ BLADE
6..	539 13 27-28.....	3	PULLEY, IDLER	36..	872 11 05-05.....	2	BOLT $\frac{5}{16}$ -18 x $\frac{5}{8}$ RD HD SQNK
7..	539 11 07-32.....	1	CHUTE, DISCHARGE	37..	539 99 09-23.....	1	BOLT $\frac{3}{8}$ -16 x $1\frac{3}{4}$ RD HD SQNK
8..	539 11 34-11.....	1	BELT SHIELD, RT ORG	38..	874 78 05-16.....	8	BOLT $\frac{5}{16}$ -18 x 1 THD FRM
9..	539 11 34-13.....	1	BELT SHIELD, LT ORG	39..	874 78 06-28.....	1	BOLT $\frac{3}{8}$ -16 x $1\frac{3}{4}$
10..	539 92 35-15.....	1	SPACER	40..	874 78 06-48.....	2	BOLT $\frac{3}{8}$ -16 x 3
11..	539 11 49-52.....	1	ARM, IDLER	41..	874 78 08-52.....	1	BOLT $\frac{1}{2}$ -13 x $3\frac{1}{4}$
12..	539 10 34-27.....	1	BUSHING, PIVOT	42..	584 95 39-01.....	12	SCREW, WSH HD
13..	539 11 21-69.....	2	BUSHING, IDLER	43..	539 97 69-79.....	4	NUT $\frac{3}{8}$ -16 HEX NYLOC
14..	539 11 63-78.....	1	BUSHING, ISO MOUNT	44..	873 80 08-00.....	1	NUT $\frac{1}{2}$ HEX NYLOC
15..	539 10 32-56.....	1	SPRING	45..	532 40 02-34.....	3	NUT $\frac{9}{16}$ TOP CNTRLK
16..	539 11 07-35.....	1	SPRING, TORSION	46..	873 80 05-00.....	2	NUT $\frac{5}{16}$ -18 HEX NYLOC
17..	539 11 87-62.....	2	SPRING, LIFT	47..	539 11 28-99.....	2	NUT $\frac{5}{16}$ -18 HEX FLG NYLOC
18..	532 17 60-66.....	1	ROLLER, NOSE	48..	539 20 02-82.....	2	NUT $\frac{3}{8}$ -16 HEX JAM NYLOC
19..	532 17 91-27.....	1	ROD, ROLLER NOSE	49..	873 35 06-00.....	2	NUT $\frac{3}{8}$ -16 HEX JAM
20..	532 41 55-98.....	1	WASHOUT PORT	50..	539 10 65-04.....	2	WASHER, HEAVY
21..	532 41 64-05.....	1	COUPLING, CONNECT	51..	819 14 16-14.....	3	WASHER $\frac{3}{8}$ STD FLT
22..	532 13 39-57.....	2	WHEEL, GAUGE	52..	539 11 26-70.....	1	WASHER, HEAVY
23..	532 18 72-91.....	3	SHAFT	53..	819 21 21-13.....	2	WASHER 13 GA
24..	539 11 34-27.....	1	PLATE, CONFINEMENT BLK	54..	810 03 06-00.....	1	WASHER $\frac{3}{8}$ SPLT LCK
25..	532 11 04-85.....	3	BEARING, BALL	55..	819 12 14-14.....	10	WASHER $\frac{5}{16}$ STD FLT
26..	539 11 49-81.....	1	GUIDE, BELT	56..	819 18 22-14.....	1	WASHER $\frac{1}{2}$ STD FLT
27..	539 97 69-98.....	1	ZERK	57..	810 03 05-00.....	8	WASHER $\frac{5}{16}$ SLW
28..	876 02 04-12.....	2	PIN, COTTER $\frac{1}{8}$ x $\frac{3}{4}$	58..	532 18 76-90.....	3	WASHER, SPACER
29..	539 11 07-36.....	1	PIN, CLEVIS $\frac{5}{16}$	59..	819 17 17-13.....	1	WASHER, SAE FLT
30..	532 19 51-61.....	2	STUD w/ ANTI-ROTATE	60..	819 13 13-16.....	1	WASHER $\frac{3}{8}$ SAE FLT

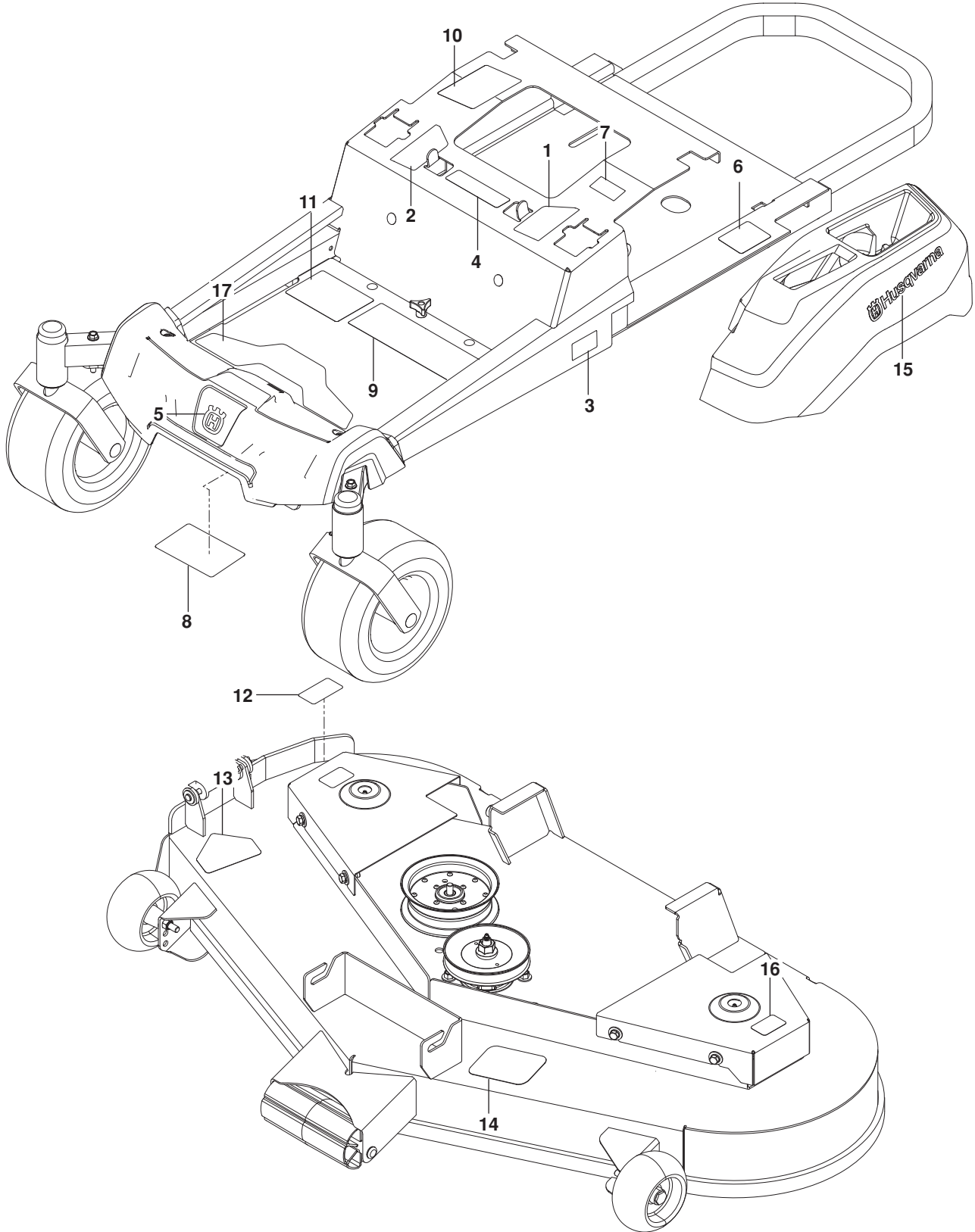
SEAT



SEAT

ITEM	PART NO.	QTY.	DESCRIPTION	ITEM	PART NO.	QTY.	DESCRIPTION
1..	532 43 98-22.....	1	SEAT	13..	539 10 47-63.....	5	RETAINER, U TYPE
2..	532 19 69-77.....	1	PAN, SEAT	14..	872 14 05-06.....	4	BOLT ⁵ / ₁₆ -18 x ³ / ₄ RD HD SQNK
3..	586 22 08-02.....	1	PLATE, LIFT SUPPORT	15..	510 42 27-01.....	2	BOLT ⁵ / ₁₆ -18 x 2 ¹ / ₂ RD HD SQNK
4..	586 22 12-02.....	1	PLATE, DECK LIFT	16..	874 78 06-20.....	2	BOLT ³ / ₈ -16 x 1 ¹ / ₄
5..	577 26 05-03	1	SUPPORT, SEAT ORG	17..	874 78 06-10.....	1	BOLT ³ / ₈ -16 x ⁵ / ₈
6..	580 30 82-02.....	2	SUPPORT, SEAT RR BLK	18..	539 11 03-03.....	2	BOLT ⁵ / ₁₆ -18 SHOULDER
7..	532 19 82-00.....	1	SPRING, LATCH	19..	817 49 05-12.....	4	SCREW ⁵ / ₁₆ -18 x ³ / ₄ THD FRM
8..	532 12 41-81.....	2	SPRING, SEAT	20..	817 00 05-10.....	6	SCREW ⁵ / ₁₆ -18 x ⁵ / ₈ WSH HD
9..	532 40 15-85.....	1	SWITCH, SEAT	21..	539 11 28-99.....	4	NUT ⁵ / ₁₆ -18 HEX FLG NYLOC
10..	532 19 76-61.....	1	HANDLE, SLIDE	22..	521 99 65-01.....	2	NUT ³ / ₈ -16 HEX FLG NYLOC
11..	586 42 86-01.....	1	LEG, SUPPORT	23..	539 11 18-97.....	1	WASHER ³ / ₈ SPECIAL
12..	585 98 93-01.....	2	GROMMET, BUMPER	24..	819 14 16-14.....	2	WASHER ³ / ₈ STD FLT

DECALS

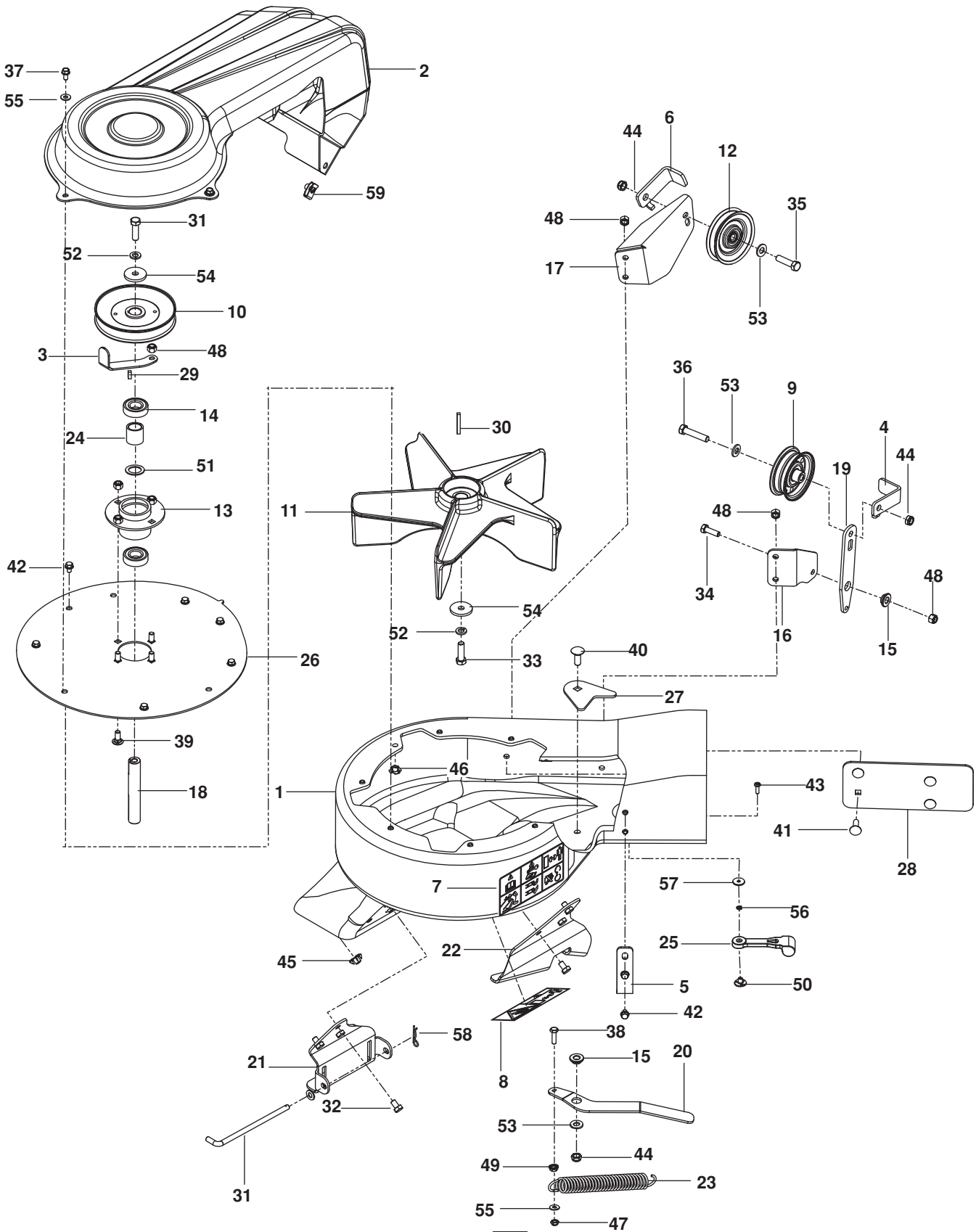


DECALS

ITEM	PART NO.	QTY.	DESCRIPTION	ITEM	PART NO.	QTY.	DESCRIPTION
1..	586 94 76-01.....	1	DECAL, STEER / BRAKE LT	10..	539 11 05-22.....	1	DECAL, RESPONSIBILITY
2..	586 94 75-01.....	1	DECAL, STEER / BRAKE RT	11..	586 34 25-01.....	1	DECAL, START
3..	587 22 03-01.....	2	DECAL, Z 248F	12..	581 72 44-01.....	1	DECAL, DEFLECTOR
4..	539 10 57-45.....	1	DECAL, BATTERY WARNING	13..	584 90 46-01.....	1	DECAL, BLADE DANGER
5..	532 42 86-77.....	1	DECAL, CROWN	14..	539 11 26-20.....	1	DECAL, BELT ROUTING
6..	539 10 83-85.....	1	DECAL, DO NOT TOW	15..	577 46 90-01.....	2	DECAL, HUSQVARNA
7..	539 10 83-86.....	1	DECAL, EXIT MOWER	16..	581 72 43-01.....	2	DECAL, NO STEP
8..	539 10 98-97.....	1	DECAL, SERVICE	17..	587 00 07-01.....	1	PAD, ABRASIVE
9..	539 10 99-08.....	1	DECAL, SAFETY WARNINGS				

ACCESSORIES

BLOWER

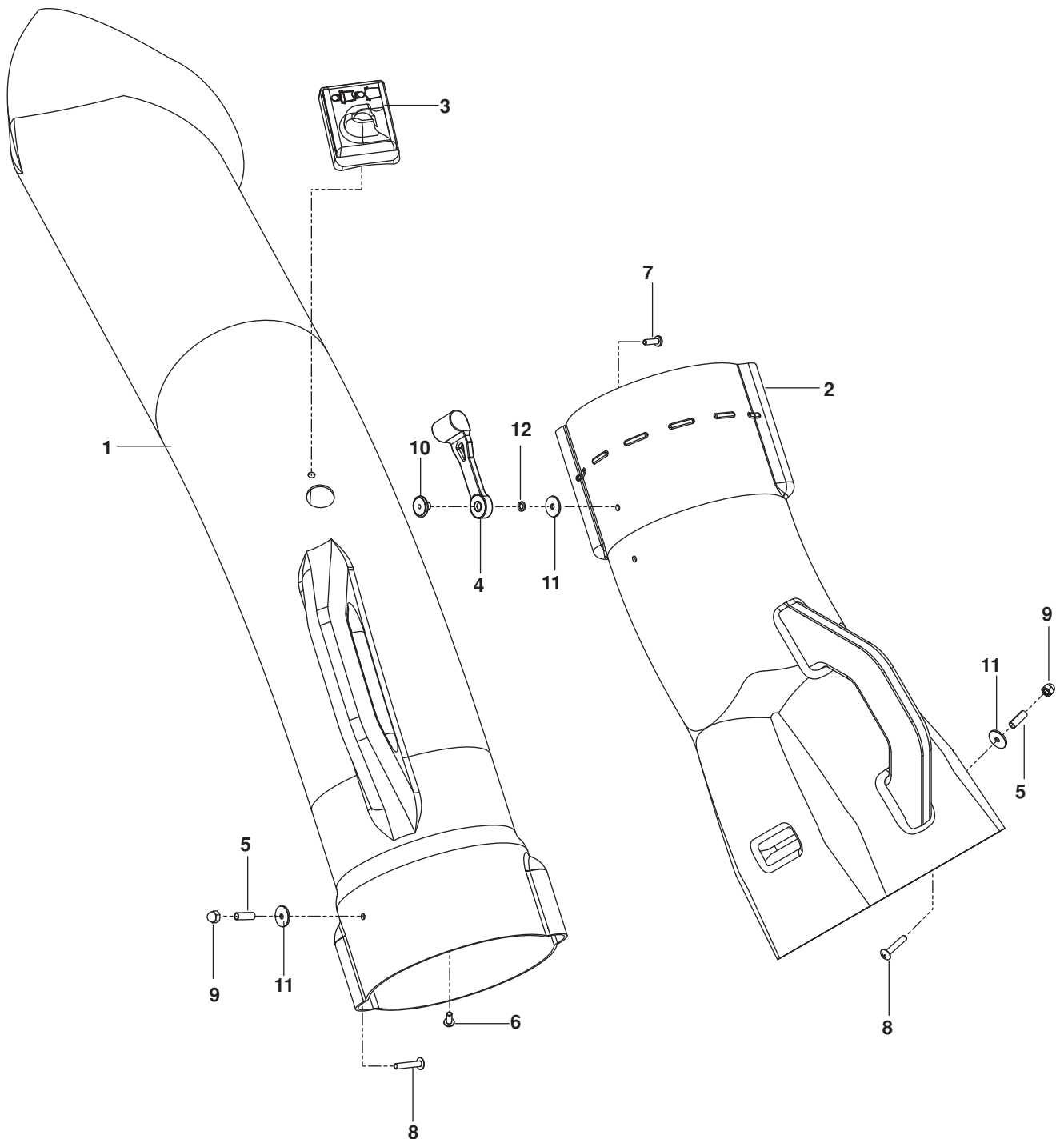


ACCESSORIES

ITEM	PART NO.	QTY.	DESCRIPTION	ITEM	PART NO.	QTY.	DESCRIPTION
1..	539 13 03-44.....	1	HOUSING w/DECALS	31..	539 13 03-17.....	1	PIN
2..	539 13 02-93.....	1	COVER, BELT	32..	539 13 03-15.....	6	BOLT $\frac{5}{16}$ -18 x $\frac{1}{2}$ HEX HD
3..	539 13 10-85.....	1	KEEPER, BELT OUTER	33..	539 11 03-21.....	2	BOLT $\frac{3}{8}$ -24 x $1\frac{1}{4}$ HEX HD GR 8
4..	579 13 76-02.....	2	KEEPER, BELT REAR	34..	539 99 02-09.....	1	BOLT $\frac{5}{16}$ -18 x 1 HEX HD
5..	539 13 03-46.....	1	KEEPER	35..	539 99 06-55.....	1	BOLT $\frac{3}{8}$ -16 x $1\frac{1}{2}$ HEX HD
6..	579 13 77-02.....	1	KEEPER	36..	539 97 69-49.....	1	BOLT $\frac{3}{8}$ -16 x $1\frac{3}{4}$ HEX HD
7..	539 10 57-85.....	1	DECAL, WARNING	37..	539 10 84-61.....	3	BOLT $\frac{1}{4}$ -20 x $\frac{1}{2}$ HEX HD
8..	539 10 67-41.....	1	DECAL, SEVERING	38..	539 99 06-43.....	1	BOLT $\frac{1}{4}$ -20 x $\frac{7}{8}$ HEX HD
9..	579 15 08-02.....	1	PULLEY, IDLER	39..	539 99 03-16.....	4	BOLT $\frac{5}{16}$ -18 x $\frac{3}{4}$ RD HD SQNK
10..	539 13 03-24.....	1	PULLEY	40..	539 99 06-45.....	1	BOLT $\frac{3}{8}$ -16 x 1 RD HD SQNK
11..	539 13 02-92.....	1	IMPELLER	41..	539 99 02-08.....	4	BOLT $\frac{5}{16}$ -18 x 1 RD HD SQNK
12..	539 11 36-83.....	1	V-IDLER	42..	539 99 03-02.....	8	SCREW $\frac{1}{4}$ x $\frac{3}{8}$ THD FRM
13..	539 13 02-95.....	1	HUB, BEARING	43..	539 97 69-52.....	1	SCREW #10-24 x $\frac{5}{8}$
14..	539 13 02-96.....	2	BEARING	44..	539 20 02-82.....	3	NUT $\frac{3}{8}$ -16 HEX JAM NYLOC
15..	539 13 03-01.....	2	BUSHING	45..	539 13 03-13.....	6	NUT $\frac{5}{16}$ -18 TEE
16..	579 13 74-02.....	1	MOUNT, IDLER, UPPER	46..	539 13 03-14.....	11	NUT $\frac{1}{4}$ -20 TEE
17..	579 13 75-02.....	1	MOUNT, IDLER, LOWER	47..	539 10 81-20.....	1	NUT $\frac{1}{4}$ -20 HEX NYLOC
18..	539 13 03-16.....	1	SHAFT, IMPELLER	48..	539 99 07-17.....	9	NUT $\frac{5}{16}$ -18 HEX NYLOC
19..	579 13 73-02.....	1	ARM, IDLER	49..	539 10 87-35.....	1	NUT $\frac{1}{4}$ -20 HEX FLG LK
20..	539 13 03-38.....	1	ARM, TENSION	50..	539 10 80-89.....	1	WELD NUT, PLATED
21..	539 13 03-39.....	1	BRACKET, MOUNT, FRONT	51..	539 91 09-35.....	1	WASHER
22..	539 13 03-40.....	1	BRACKET, MOUNT, REAR	52..	539 99 01-18.....	2	WASHER $\frac{3}{8}$ SPLT LK
23..	539 10 19-77.....	1	TRACTION SPRING	53..	539 99 01-22.....	3	WASHER $\frac{3}{8}$ SAE FLT
24..	539 13 03-23.....	1	SPACER	54..	539 11 03-23.....	2	WASHER, HARDENED
25..	539 10 80-88.....	1	LATCH, HOOD	55..	539 99 00-55.....	4	WASHER $\frac{1}{4}$ FLAT SAE
26..	539 13 03-41.....	1	PLATE, OUTER	56..	539 10 95-52.....	2	WASHER $\frac{3}{16}$ LOCK
27..	539 13 21-24.....	1	PLATE, BACKING	57..	539 10 80-84.....	2	WASHER $\frac{3}{16}$ x $\frac{3}{4}$ x 16 GA
28..	539 13 21-22.....	1	PLATE, BACKING	58..	539 97 69-88.....	1	HAIRPIN
29..	539 11 56-67.....	1	KEY $\frac{3}{16}$ x $\frac{1}{2}$	59..	539 10 47-63.....	1	RETAINER U TYPE
30..	539 12 52-29.....	1	KEY $\frac{3}{16}$ x $1\frac{1}{2}$				

ACCESSORIES

CHUTES

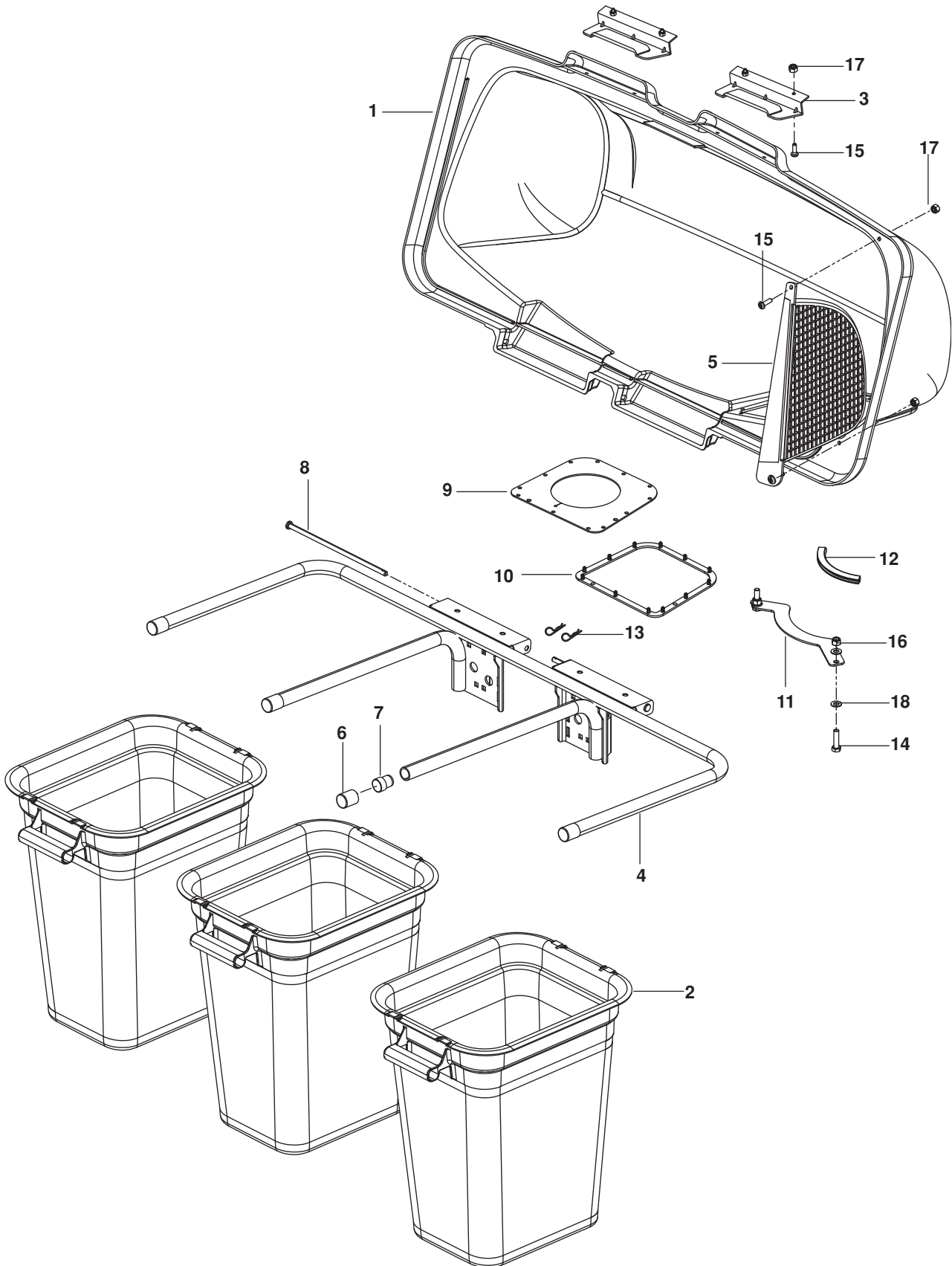


ACCESSORIES

ITEM	PART NO.	QTY.	DESCRIPTION	ITEM	PART NO.	QTY.	DESCRIPTION
1..	522 73 92-02.....	1CHUTE, UPPER	7..	539 97 69-52.....	1SCREW #10-24 x 5/8
2..	539 13 02-94.....	1CHUTE, MIDDLE	8..	539 10 80-83.....	2SCREW #10-24 x 1 1/8
3..	539 10 80-82.....	1INDICATOR, BAG DUMP	9..	539 10 80-86.....	2NUT #10-24 ACORN
4..	539 10 80-88.....	1LATCH, HOOD	10..	539 10 80-89.....	1WELD NUT, PLATED
5..	539 10 80-85.....	2SPACER, SPLIT	11..	539 10 80-84.....	3WASHER 3/16 x 3/4 x 16 GA
6..	539 10 80-81.....	1SCREW #10-14 x 1/2	12..	539 10 95-52.....	2WASHER 3/16 LOCK

ACCESSORIES

BAGGER

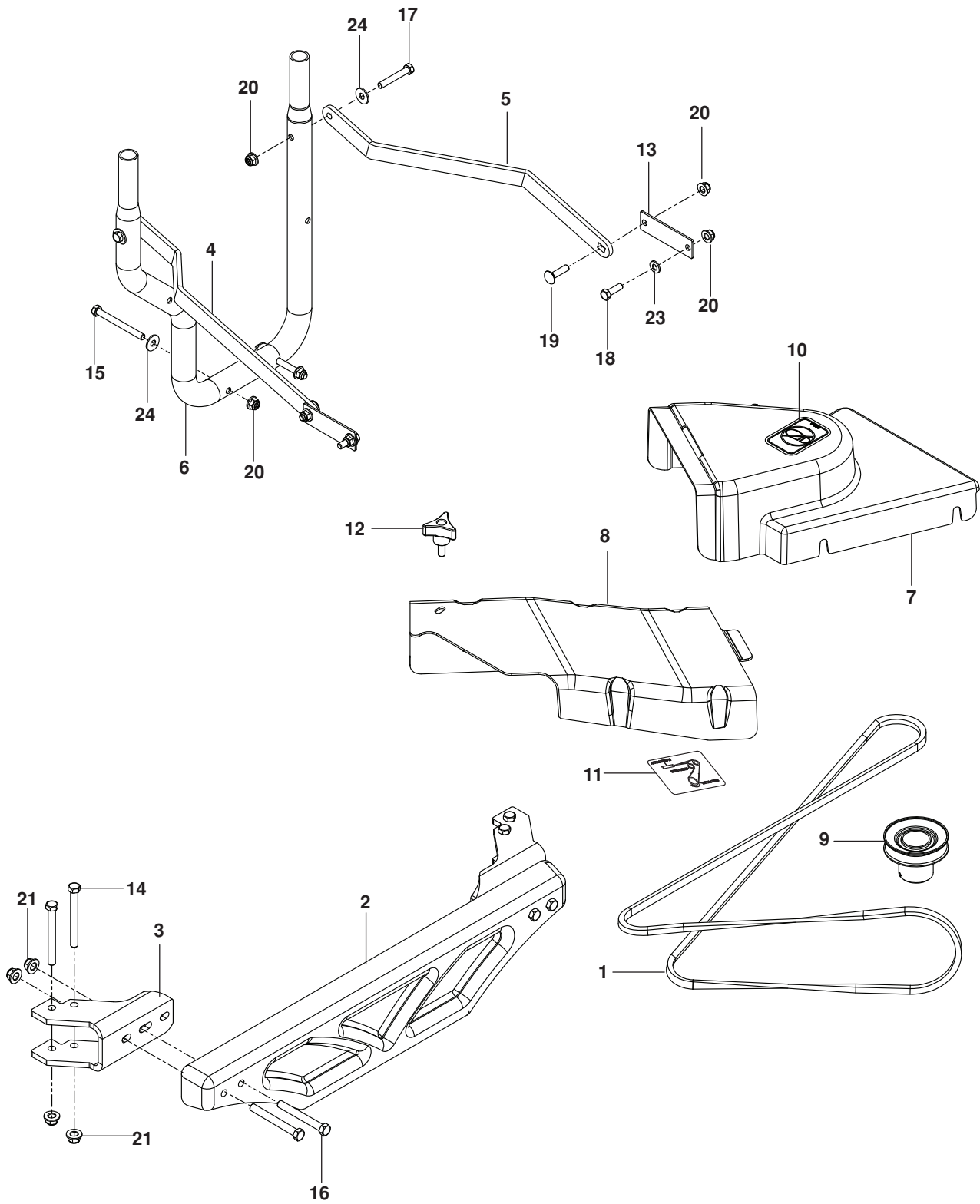


ACCESSORIES

ITEM	PART NO.	QTY.	DESCRIPTION	ITEM	PART NO.	QTY.	DESCRIPTION
1..	532 19 53-73.....	1	COVER	10..	532 19 26-03.....	1	GASKET, COVER
2..	532 40 02-26.....	3	CONTAINER, SOFT BAG	11..	539 11 02-81.....	1	SUPPORT, CHUTE
3..	532 13 08-95.....	2	HANDLE, BAGGER COVER	12..	539 11 22-94.....	1	FLEX TRIM
4..	539 10 80-98.....	1	FRAME, BAGGER	13..	539 10 80-96.....	2	PIN
5..	532 19 27-09.....	1	SCREEN, COVER	14..	539 99 06-27.....	2	BOLT $\frac{5}{16}$ -18 x $1\frac{1}{4}$
6..	539 10 80-97.....	4	PLUG, TUBING END	15..	539 97 69-52.....	6	SCREW #10-24 x $\frac{5}{8}$
7..	522 80 13-01.....	2	PLUG, SPACER	16..	539 11 28-99.....	2	NUT $\frac{5}{16}$ -18 HEX FLG NYLOC
8..	532 19 27-86.....	2	PIN, HINGE	17..	539 97 69-77.....	6	NUT #10-24 CROWNLOCK
9..	532 19 25-50.....	1	SEAL, COVER	18..	539 99 01-88.....	4	WASHER $\frac{5}{16}$ SAE

ACCESSORIES

SHIELD, MOUNTS, WEIGHTS, BELT

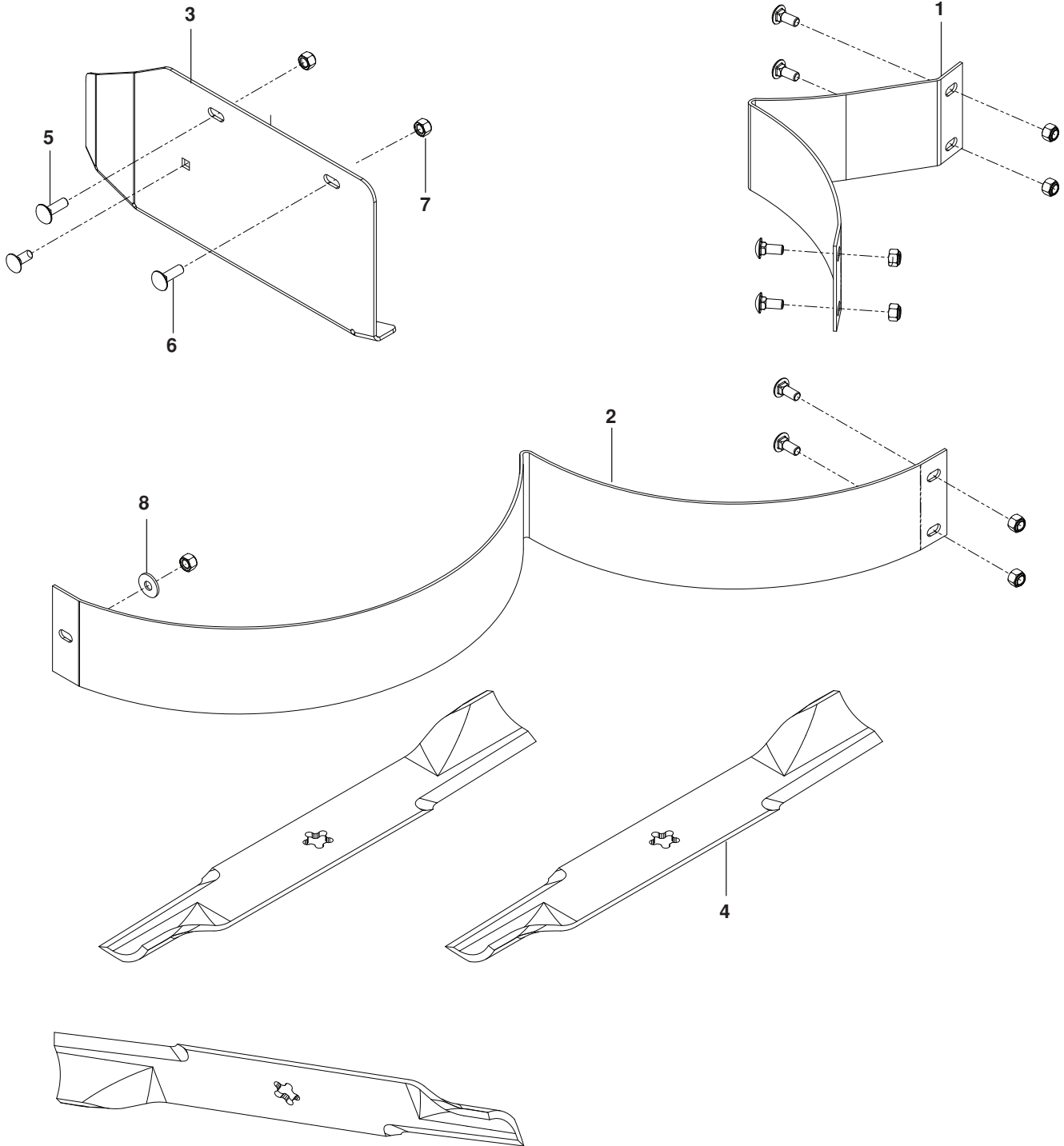


ACCESSORIES

ITEM	PART NO.	QTY.	DESCRIPTION	ITEM	PART NO.	QTY.	DESCRIPTION
1..	539 13 03-47.....	1	BELT	13..	523 11 28-02	2	PLATE, REINFORCEMENT
2..	539 11 15-87.....	1	WEIGHT PLATE	14..	539 10 82-71.....	4	BOLT $\frac{3}{8}$ -16 x $3\frac{1}{2}$ HEX HD
3..	522 92 32-02.....	2	WEIGHT BRACKET	15..	539 10 15-20.....	2	BOLT $\frac{5}{16}$ -18 x $3\frac{1}{4}$ HEX HD
4..	522 85 44-02.....	1	STRAP, SUPPORT, RT 26"	16..	539 10 13-41.....	4	BOLT $\frac{3}{8}$ -16 x 3 HEX HD
5..	522 85 45-02.....	1	STRAP, SUPPORT, LT 26"	17..	539 97 69-37.....	2	BOLT $\frac{5}{16}$ -18 x 2 HEX HD
6..	539 13 10-91.....	1	TUBE, MOUNT	18..	539 99 02-09.....	2	BOLT $\frac{5}{16}$ -18 x 1 HEX HD
7..	539 13 03-06.....	1	SHIELD, BELT	19..	539 10 04-72.....	2	BOLT $\frac{5}{16}$ -18 x $1\frac{1}{4}$ RD HD SQNK
8..	539 13 03-09.....	1	COVER, BELT	20..	539 11 28-99.....	8	NUT $\frac{5}{16}$ -18 HEX FLG NYLOC
9..	539 13 03-19.....	1	PULLEY	21..	521 99 65-01.....	8	NUT $\frac{3}{8}$ -16 HEX FLG NYLOC
10..	539 10 57-43.....	1	DECAL, NO STEP	22..	539 99 01-88.....	2	WASHER $\frac{5}{16}$ SAE FLAT
11..	539 13 03-49.....	1	DECAL, BELT ROUTING	23..	539 99 06-92.....	4	WASHER $\frac{5}{16}$ STD FLT
12..	539 10 44-11.....	1	KNOB w/ STUD				

ACCESSORIES

MULCH KIT



ACCESSORIES

ITEM	PART NO.	QTY.	DESCRIPTION	ITEM	PART NO.	QTY.	DESCRIPTION
1..	539 11 34-17.....	1	BAFFLE, MULCH, LEFT	5..	539 99 02-08.....	2	BOLT ⁵ / ₁₆ -18 x 1 RD HD SQNK
2..	539 11 34-19.....	1	BAFFLE, MULCH, RIGHT	6..	539 99 03-16.....	7	BOLT ⁵ / ₁₆ -18 X ³ / ₄ RD HD SQNK
3..	539 11 34-28.....	1	CAP, MULCH, 48	7..	539 99 07-17.....	9	NUT ⁵ / ₁₆ -18 NYLOC
4..	522 03 74-01.....	3	BLADE, 16 ¹ / ₄ " GATOR	8..	539 99 06-92.....	1	WASHER ⁵ / ₁₆

www.husqvarna.com

115 68 46-27 Rev C

2014-08-15