



# SPARE PARTS LIST

## RIDERS

R220T, 966785701, 967032001,  
967150901, 2015

**A1** CUTTING DECK C103, US

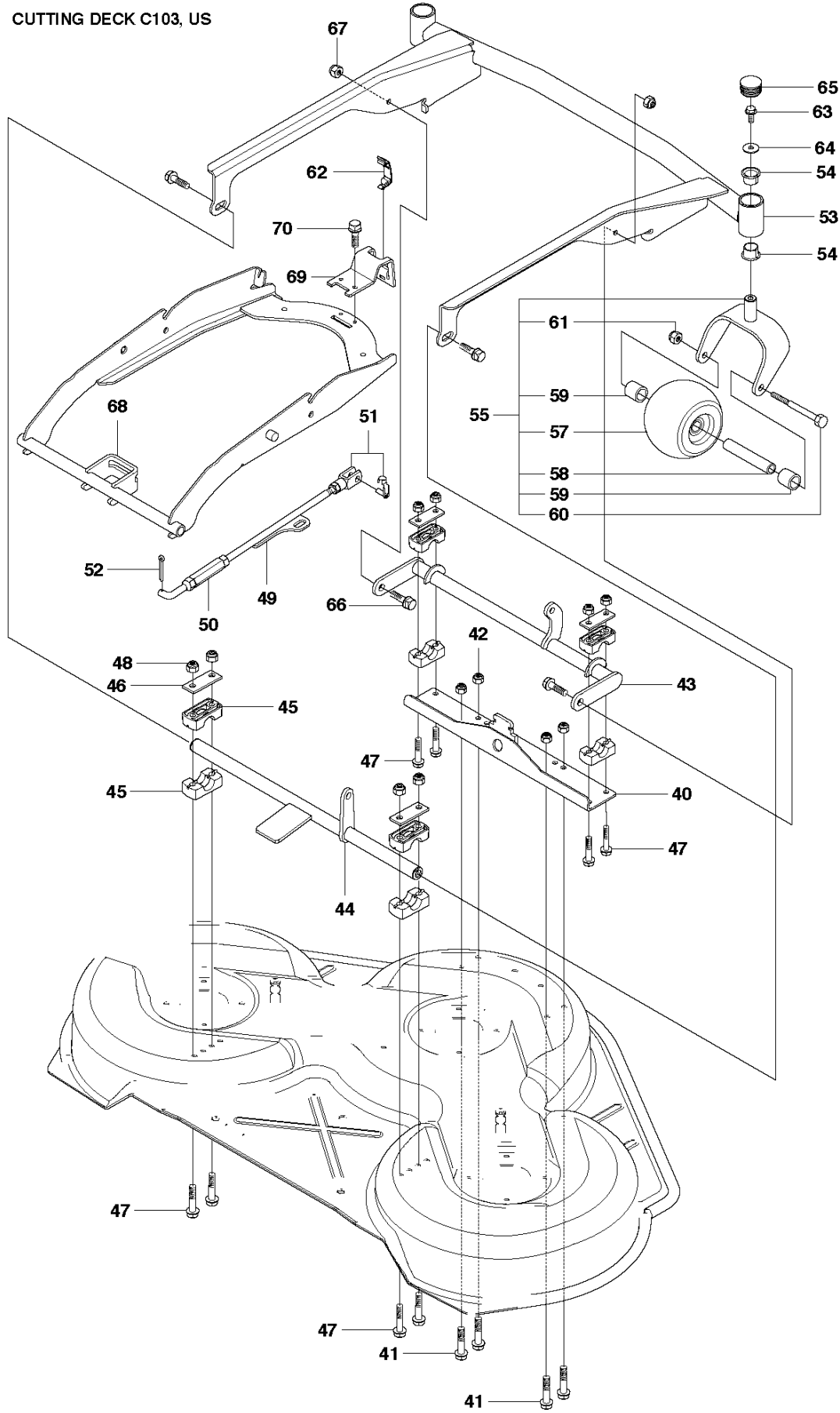


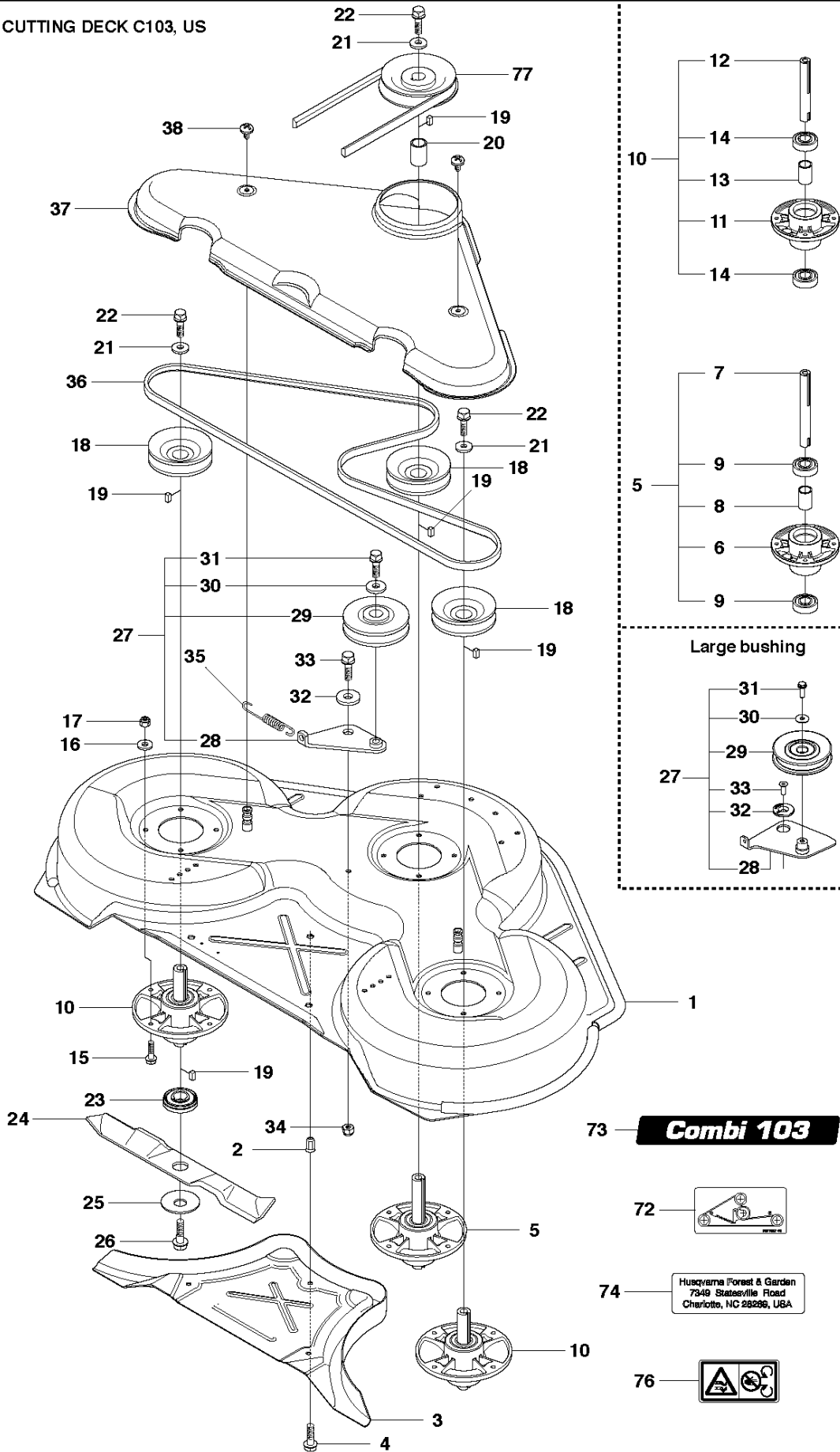
Image Name: C103-1 544425601-N

103CM CUTTING DECK  
2015

R220T, 966785701, 967032001, 967150901,

Ref	Part No	Description	Remark	QTY KIT
40	523 09 53-01	BRACKET		1
41	725 24 51-71	SCREW EHHM		5
42	732 21 18-01	LOCK NUT		4
43	502 64 18-05	CROSS BAR		1
44	523 09 45-03	CROSS BAR		1
45	506 86 96-01	BEARING		8
46	506 81 38-01	REINFORCING PLATE		4
47	725 24 61-51	SCREW EHHM		8
48	732 21 18-01	LOCK NUT		8
49	523 11 42-01	PARALLEL ROD ASSY		1
50	502 64 23-01	PARALLEL ROD		1
51	506 83 98-02	GAFFELLÄNK M10X1.5		1
52	721 61 83-01	SPLIT PIN		1
53	523 08 65-03	DECK FRAME		1
54	574 56 19-01	BEARING		4
55	574 21 01-01	PIVOT WHEEL ASSY		2
57	506 96 30-01	WHEEL ASSY		1
58	506 81 08-02	WHEEL AXLE TUBE		1
59	506 87 41-02	SPACER		2
60	725 25 19-51	SCREW EHHM		1
61	732 21 20-51	NUT		1
62	503 89 47-03	SNAP		1
63	506 57 01-04	SCREW EHHFM		2
64	734 11 64-41	WASHER		2
65	574 03 48-01	PLUG		2
66	506 59 74-01	SCREW EHHFM		4
67	732 21 18-01	LOCK NUT		2
68	523 08 75-01	DECK ATTACHMENT		1
69	523 11 46-01	LOCK		1
70	725 23 68-61	SCREW EHHFT		2

# A2 CUTTING DECK C103, US



**Combi 103**

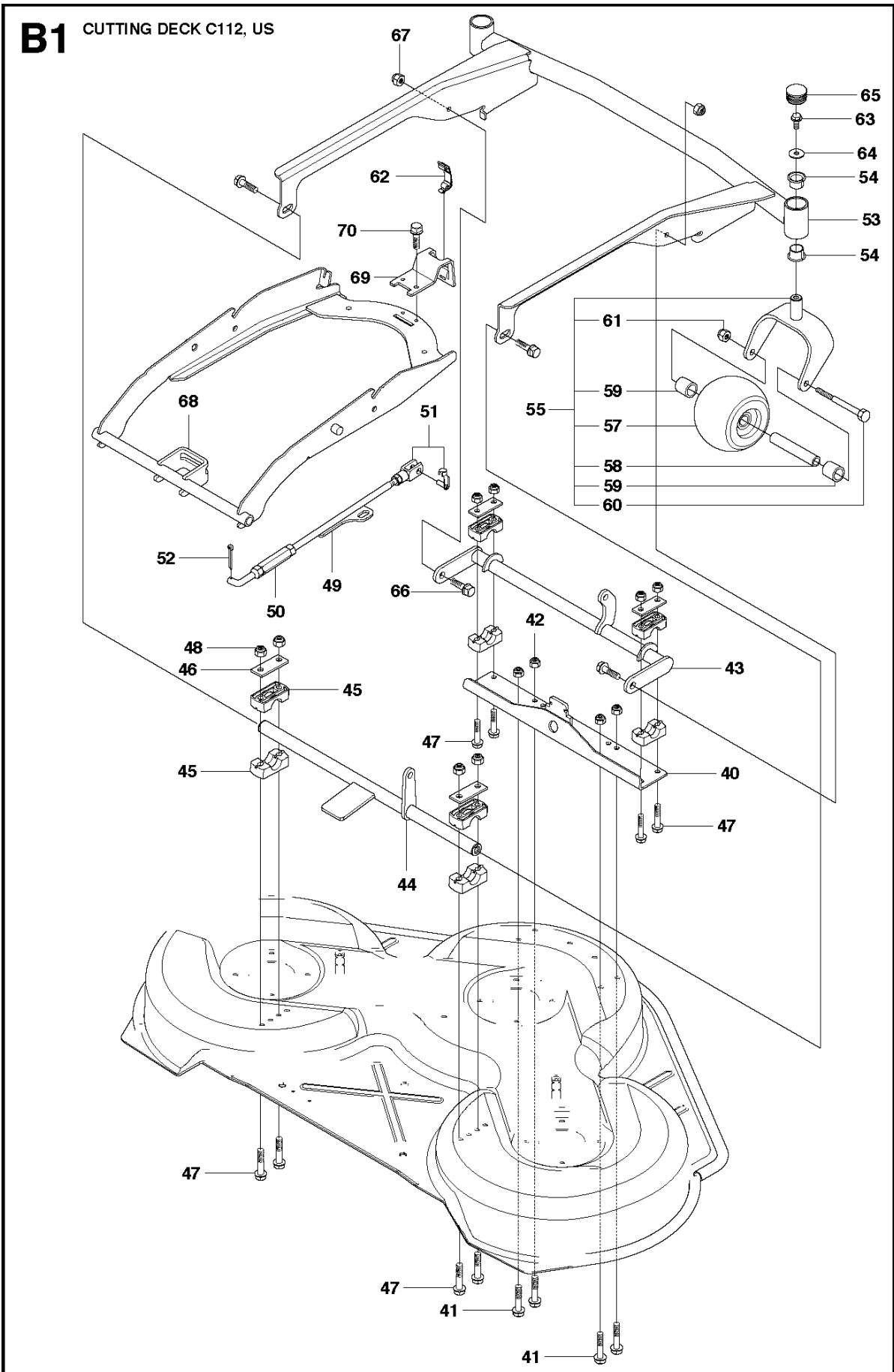
Husqvarna Forest & Garden  
7349 Statesville Road  
Charlotte, NC 28268, USA



103CM CUTTING DECK  
2015

R220T, 966785701, 967032001, 967150901,

Ref	Part No	Description	Remark	QTY	KIT
1	574 21 08-01	CUTTING DECK		1	
2	506 91 62-01	BLIND RIVET NUT		3	
3	544 44 92-01	PLUG		1	
4	506 57 01-04	SCREW EHHFM		3	
5	576 38 41-01	BLADE HOUSING ASSY		2	
6	576 38 42-01	BEARING HOUSING		1	
7	576 38 43-01	SHAFT		1	
8	576 38 44-01	SPACING SLEEVE		1	
9	738 23 04-34	BALL BEARING		2	
10	576 38 41-02	BLADE HOUSING ASSY		1	
11	576 38 42-01	BEARING HOUSING		1	
12	576 38 43-02	SHAFT		1	
13	576 38 44-01	SPACING SLEEVE		1	
14	738 23 04-34	BALL BEARING		2	
15	535 42 38-01	SCREW RSQM		12	
16	734 11 64-01	WASHER		14	
17	732 21 18-01	LOCK NUT		12	
18	506 92 21-01	PULLEY		3	
19	506 53 35-01	PARALLEL KEY		7	
20	544 06 80-02	SPACING SLEEVE		1	
21	734 11 74-41	WASHER		3	
22	544 11 41-01	SCREW EHHM		3	
23	535 50 42-02	BLADE BRACKET		3	
24	504 18 82-01	RIDE ON BLADE		3	
25	506 79 23-01	KNIFE PLATE		3	
26	544 11 41-01	SCREW EHHM		3	
27	506 54 07-01	BELT TENSIONER ASSY	Small bushing	1	
27	586 96 66-01	BELT TENSIONER ASSY	Large bushing	1	
28	506 51 95-01	SPÄNNARM KPL.	Small bushing	1	27
28	585 35 99-01	ARM	Large bushing	1	27
29	506 53 27-01	PULLEY		1	27
30	734 11 64-41	WASHER		1	27
31	506 55 83-02	SCREW EHHFT	Small bushing	1	27
31	586 32 04-01	SCREW	Large bushing	1	27
32	506 91 87-02	WASHER	Small bushing	1	
32	586 49 67-01	WASHER	Large bushing	1	
33	725 24 51-71	SCREW EHHM	Small bushing	1	
33	725 64 53-01	SCREW IHCSFM	Large bushing	1	
34	732 21 18-01	LOCK NUT		1	
35	506 53 31-01	SPRING		1	
36	506 76 85-01	BELT		1	
37	544 09 61-01	BELT COVER		1	
38	544 40 05-01	SCREW		2	
72	506 78 97-01	LABEL		1	
73	544 23 81-03	LABEL		2	
74	506 98 39-01	DECAL		1	
76	574 51 00-01	DECAL		2	
77	506 77 86-01	PULLEY		1	

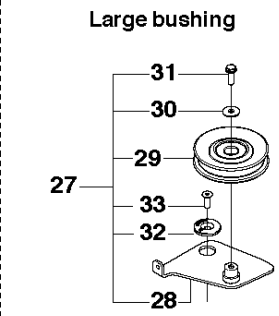
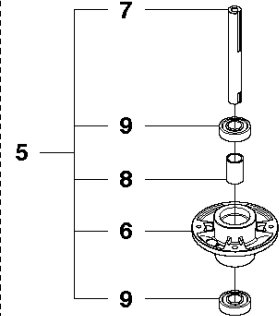
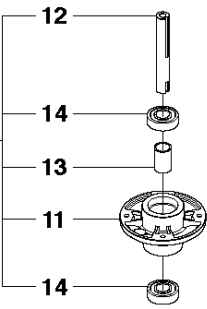
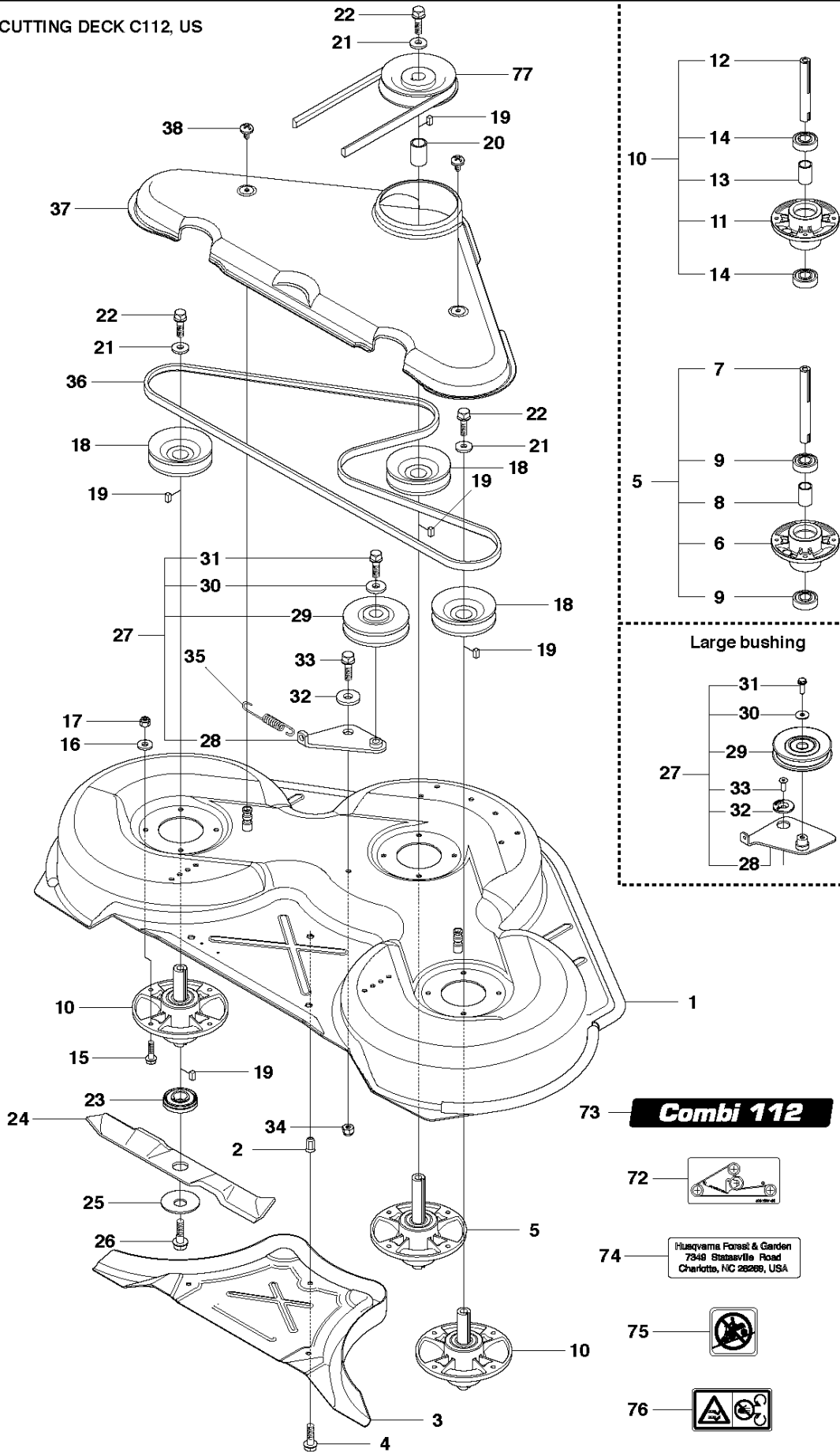


44"/112CM CUTTING DECK  
2015

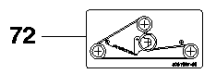
R220T, 966785701, 967032001, 967150901,

Ref	Part No	Description	Remark	QTY KIT
40	523 09 53-01	BRACKET		1
41	725 24 51-71	SCREW EHHM		4
42	732 21 18-01	LOCK NUT		4
43	502 64 18-05	CROSS BAR		1
44	523 09 45-03	CROSS BAR		1
45	506 86 96-01	BEARING		8
46	506 81 38-01	REINFORCING PLATE		4
47	725 24 61-51	SCREW EHHM		8
48	732 21 18-01	LOCK NUT		8
49	523 11 42-01	PARALLEL ROD ASSY		1
50	502 64 23-01	PARALLEL ROD		1
51	506 83 98-02	GAFFELLÄNK M10X1.5		1
52	721 61 83-01	SPLIT PIN		1
53	523 08 65-03	DECK FRAME		1
54	574 56 19-01	BEARING		4
55	574 21 01-01	PIVOT WHEEL ASSY		2
57	506 96 30-01	WHEEL ASSY		1
58	506 81 08-02	WHEEL AXLE TUBE		1
59	506 87 41-02	SPACER		2
60	725 25 19-51	SCREW EHHM		1
61	732 21 20-51	NUT		1
62	503 89 47-03	SNAP		1
63	506 57 01-04	SCREW EHHFM		2
64	734 11 64-41	WASHER		2
65	574 03 48-01	PLUG		2
66	506 59 74-01	SCREW EHHFM		4
67	732 21 18-01	LOCK NUT		2
68	523 08 75-01	DECK ATTACHMENT		1
69	523 11 46-01	LOCK		1
70	725 23 68-61	SCREW EHHFT		2

**B2** CUTTING DECK C112, US



73 **Combi 112**



74 Husqvarna Forest & Garden  
7349 Statesville Road  
Charlotte, NC 28286, USA

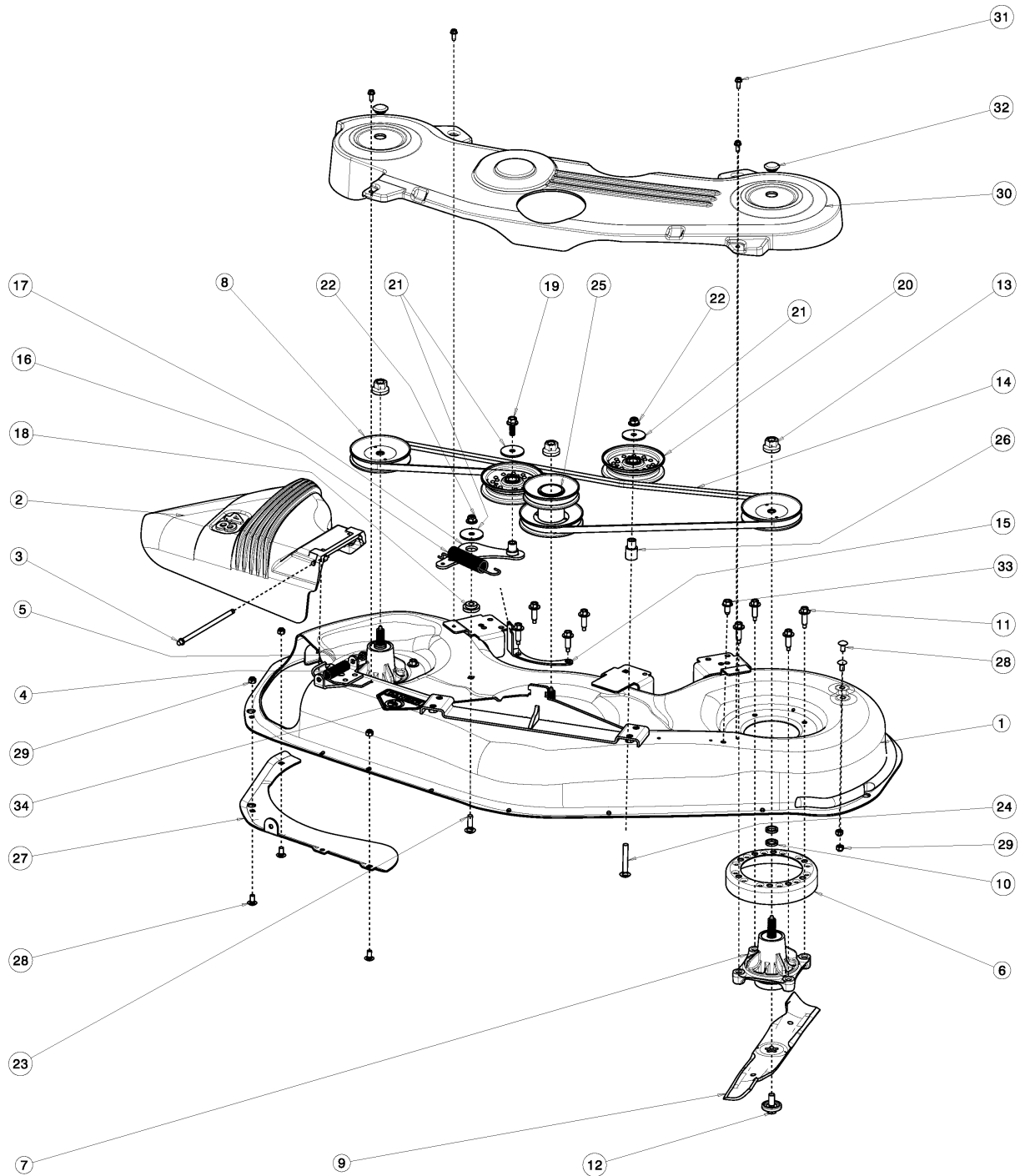




44"/112CM CUTTING DECK  
2015

R220T, 966785701, 967032001, 967150901,

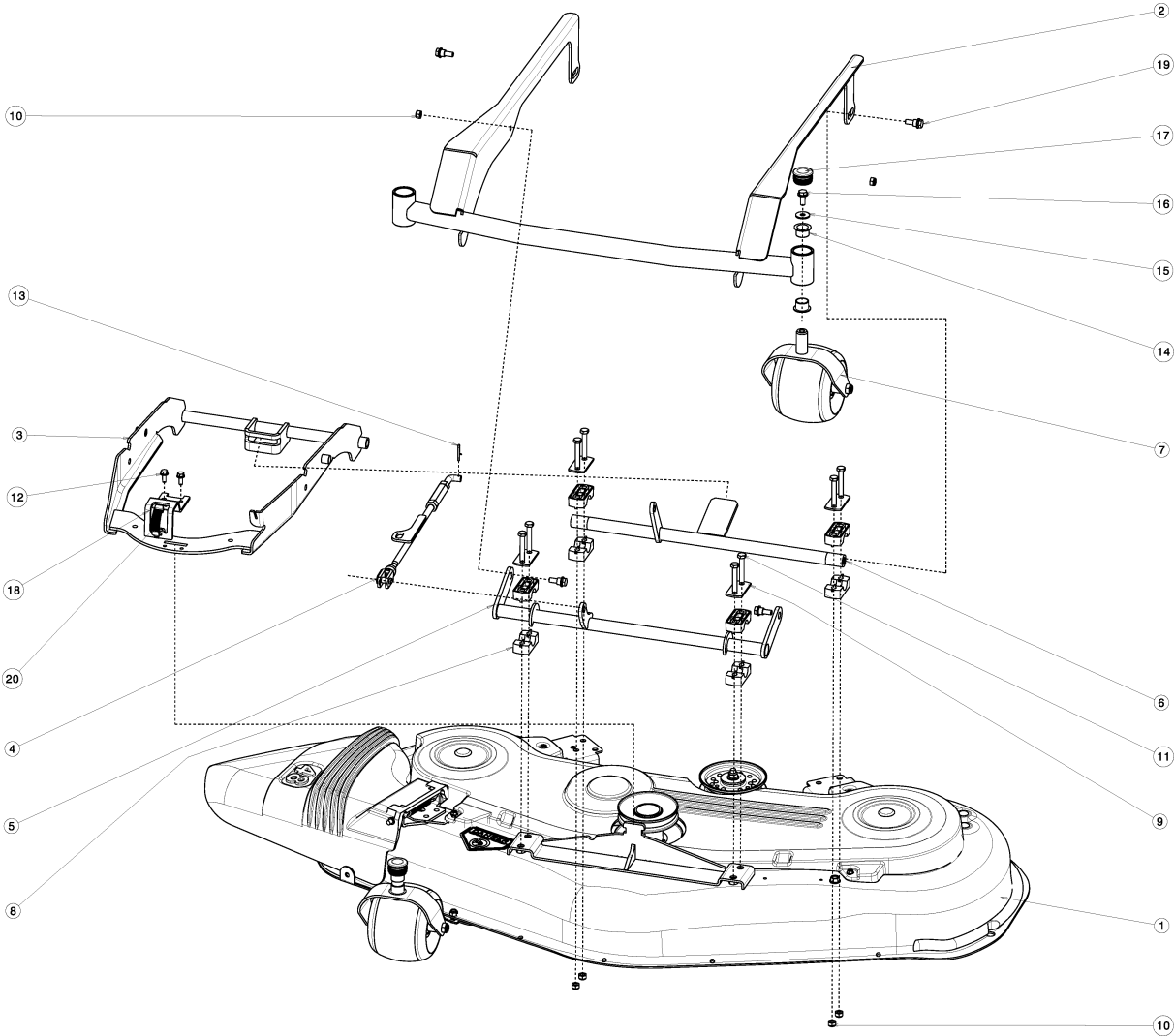
Ref	Part No	Description	Remark	QTY	KIT
1	574 20 95-01	CUTTING DECK		1	
2	506 91 62-01	BLIND RIVET NUT		3	
3	544 44 93-01	PLUG		1	
4	506 57 01-04	SCREW EHHFM		3	
5	576 38 41-01	BLADE HOUSING ASSY		1	
6	576 38 42-01	BEARING HOUSING		1	
7	576 38 43-01	SHAFT		1	
8	576 38 44-01	SPACING SLEEVE		1	
9	738 23 04-34	BALL BEARING		2	
10	576 38 41-02	BLADE HOUSING ASSY		2	
11	576 38 42-01	BEARING HOUSING		1	
12	576 38 43-02	SHAFT		1	
13	576 38 44-01	SPACING SLEEVE		1	
14	738 23 04-34	BALL BEARING		2	
15	535 42 38-01	SCREW RSQM		12	
16	734 11 64-01	WASHER		12	
17	732 21 18-01	LOCK NUT		12	
18	506 92 21-01	PULLEY		3	
19	506 53 35-01	PARALLEL KEY		7	
20	544 06 80-02	SPACING SLEEVE		1	
21	734 11 74-41	WASHER		3	
22	544 11 41-01	SCREW EHHM		3	
23	535 50 42-02	BLADE BRACKET		3	
24	504 18 81-01	RIDE ON BLADE		3	
25	506 79 23-01	KNIFE PLATE		3	
26	544 11 41-01	SCREW EHHM		3	
27	506 54 07-01	BELT TENSIONER ASSY	Small bushing	1	
27	586 96 66-01	BELT TENSIONER ASSY	Large bushing	1	
28	506 51 95-01	SPÄNNARM KPL.	Small bushing	1	
28	585 35 99-01	ARM	Large bushing	1	27
29	506 53 27-01	PULLEY		1	27
30	734 11 64-41	WASHER		1	27
31	506 55 83-02	SCREW EHHFT	Small bushing	1	27
31	586 32 04-01	SCREW	Large bushing	1	27
32	506 91 87-02	WASHER	Small bushing	1	
32	586 49 67-01	WASHER	Large bushing	1	
33	725 24 51-71	SCREW EHHM	Small bushing	1	
33	725 64 53-01	SCREW IHCSFM	Large bushing	1	
34	732 21 18-01	LOCK NUT		1	
35	506 53 31-01	SPRING		1	
36	535 41 19-01	BELT		1	
37	544 09 62-01	BELT COVER		1	
38	544 40 05-01	SCREW		2	
72	506 78 97-01	LABEL		1	
73	544 23 81-05	LABEL		2	
74	506 98 39-01	DECAL		1	
75	535 43 74-01	LABEL WARNING		1	
76	574 51 00-01	DECAL		2	
77	506 77 86-01	PULLEY		1	



48"/122CM CUTTING DECK  
2015

R220T, 966785701, 967032001, 967150901,

Ref	Part No	Description	Remark	QTY KIT
1	578 97 73-01	CUTTING DECK		1
2	532 18 06-55	SHIELD DEFLECTOR		1
3	532 13 14-91	SHAFT		1
4	532 17 81-02	SPRING		1
5	532 11 04-52	NUT		2
6	532 17 44-93	STRIPPER. MANDREL.BLACK		2
7	532 17 43-56	MANDREL ASSY		2
8	532 17 34-35	POULIE DE MANDRIN		2
9	532 18 00-54	RIDE ON BLADE		3
10	532 18 76-90	WASHER		1
11	532 17 39-84	SCREW		1
12	532 19 30-03	SCREW		8
13	532 40 02-34	NUT		1
14	532 18 02-13	BELT		1
15	578 93 55-01	BRACKET		2
16	579 44 46-01	SPRING		2
17	578 41 53-01	ARM		1
18	578 41 55-01	BUSHING		1
19	525 61 28-01	HHFS		1
20	539 97 66-88	PULLEY		1
21	539 11 18-97	WASHER, 3/8, SPEC		1
22	521 99 65-01	NUT		1
23	72140610	BOLZEN WEX13TCRDB		2
24	72140620	SCREW		2
25	578 43 10-01	PULLEY ASSY		1
26	579 40 59-01	BUSHING		1
27	532 17 43-78	BAFFLE		2
28	72110505	BOLT		3
29	73800500	NUT		1
30	579 29 70-01	SHIELD		1
31	532 13 77-29	SCREW		1
32	579 47 08-01	PLUG		1
33	17000612	SCREW		7
34	539 91 30-10	DECAL		7

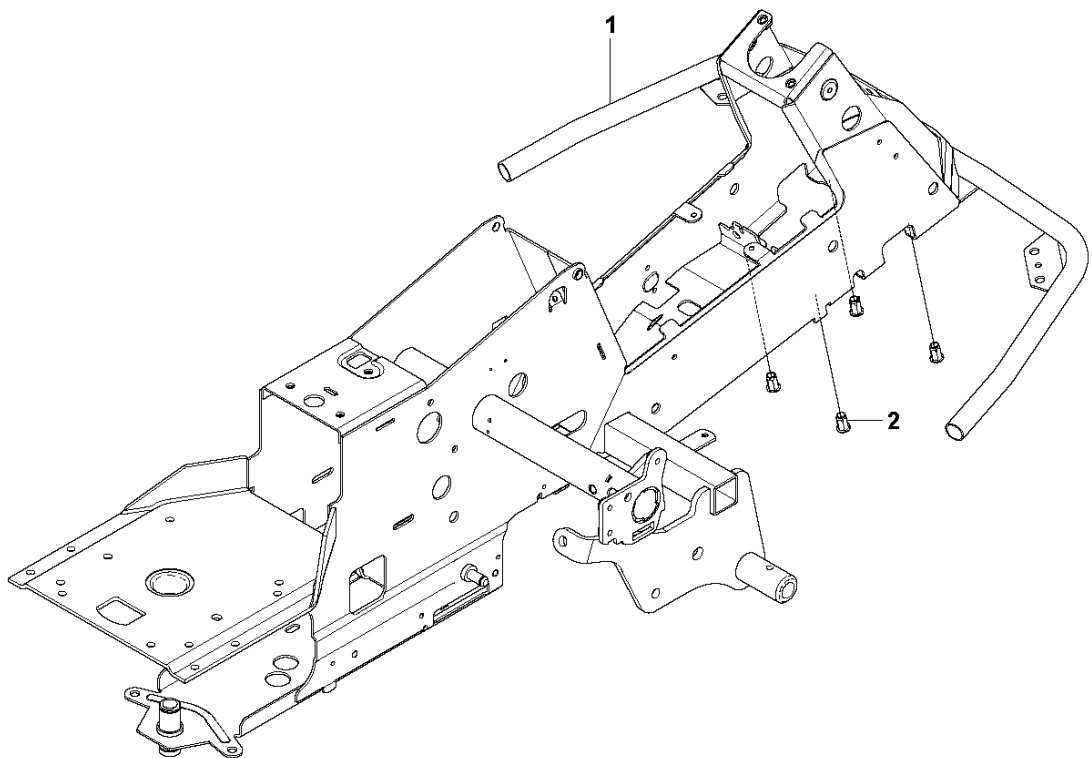


48"/122CM CUTTING DECK  
2015

R220T, 966785701, 967032001, 967150901,

Ref	Part No	Description	Remark	QTY KIT
1	579 04 88-01	DECK SHELL ASSY		1
2	578 42 59-01	DECK FRAME		1
3	523 08 75-01	DECK ATTACHMENT		1
4	523 11 42-02	PARALLEL ROD ASSY		1
5	580 25 31-01	CROSS BAR		1
6	580 25 32-01	CROSS BAR		1
7	574 21 01-01	PIVOT WHEEL ASSY		1
8	506 86 96-01	BEARING		1
9	506 81 38-01	REINFORCING PLATE		1
10	732 21 18-01	LOCK NUT		1
11	725 24 61-51	SCREW EHHM		1
12	725 23 68-61	SCREW EHHFT		1
13	721 61 83-01	SPLIT PIN		1
14	578 97 59-01	BEARING		1
15	734 11 64-41	WASHER		1
16	506 57 01-04	SCREW EHHFM		1
17	574 03 48-01	PLUG		1
18	523 11 46-01	LOCK		1
19	506 59 74-01	SCREW EHHFM		1
20	503 89 47-03	SNAP		1

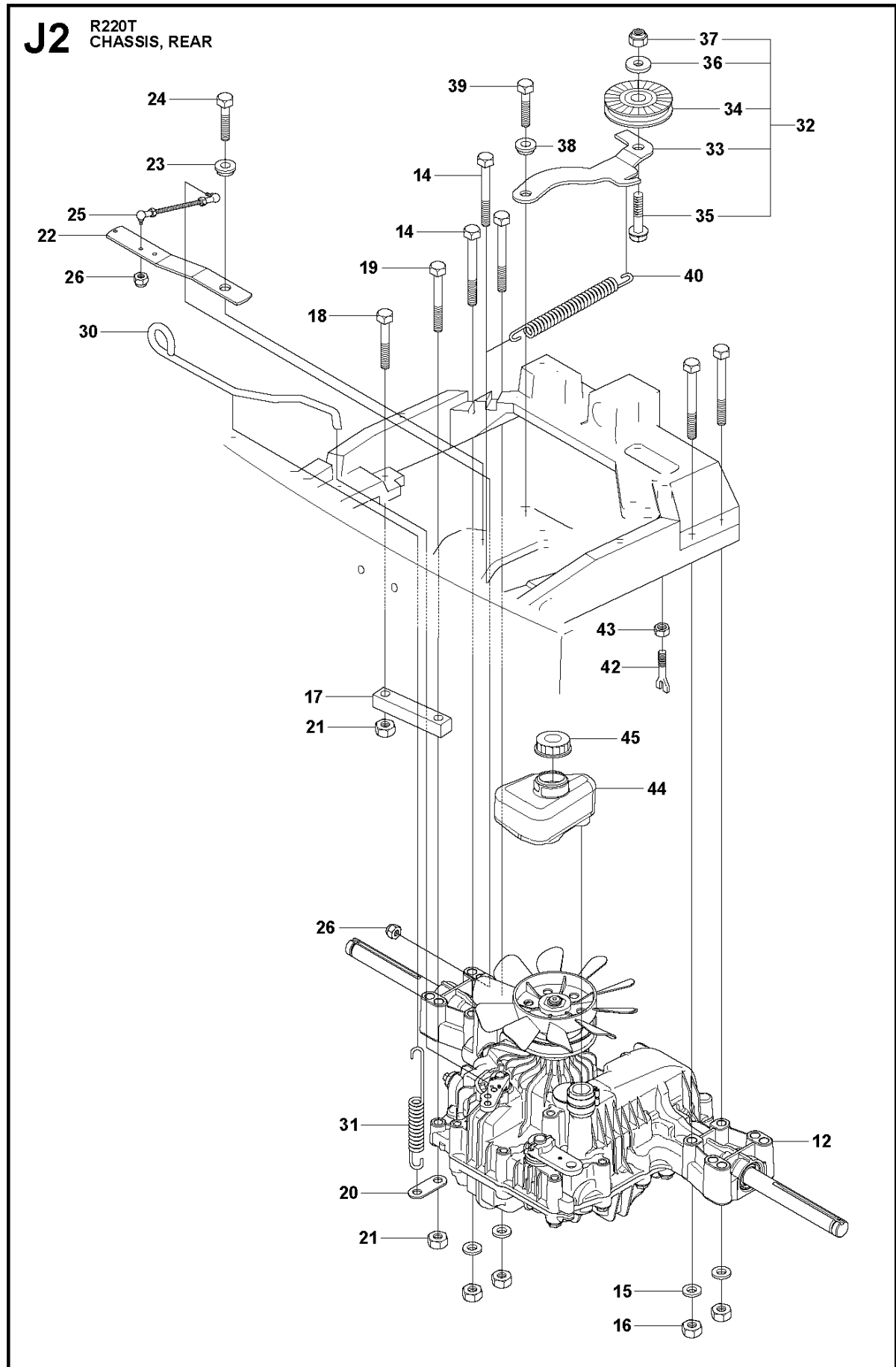
**F** R220T  
CHASSIS



CHASSIS / FRAME  
2015

R220T, 966785701, 967032001, 967150901,

Ref	Part No	Description	Remark	QTY KIT
1	577 93 90-01	CHASSIS		1
2	506 91 62-01	BLIND RIVET NUT		4



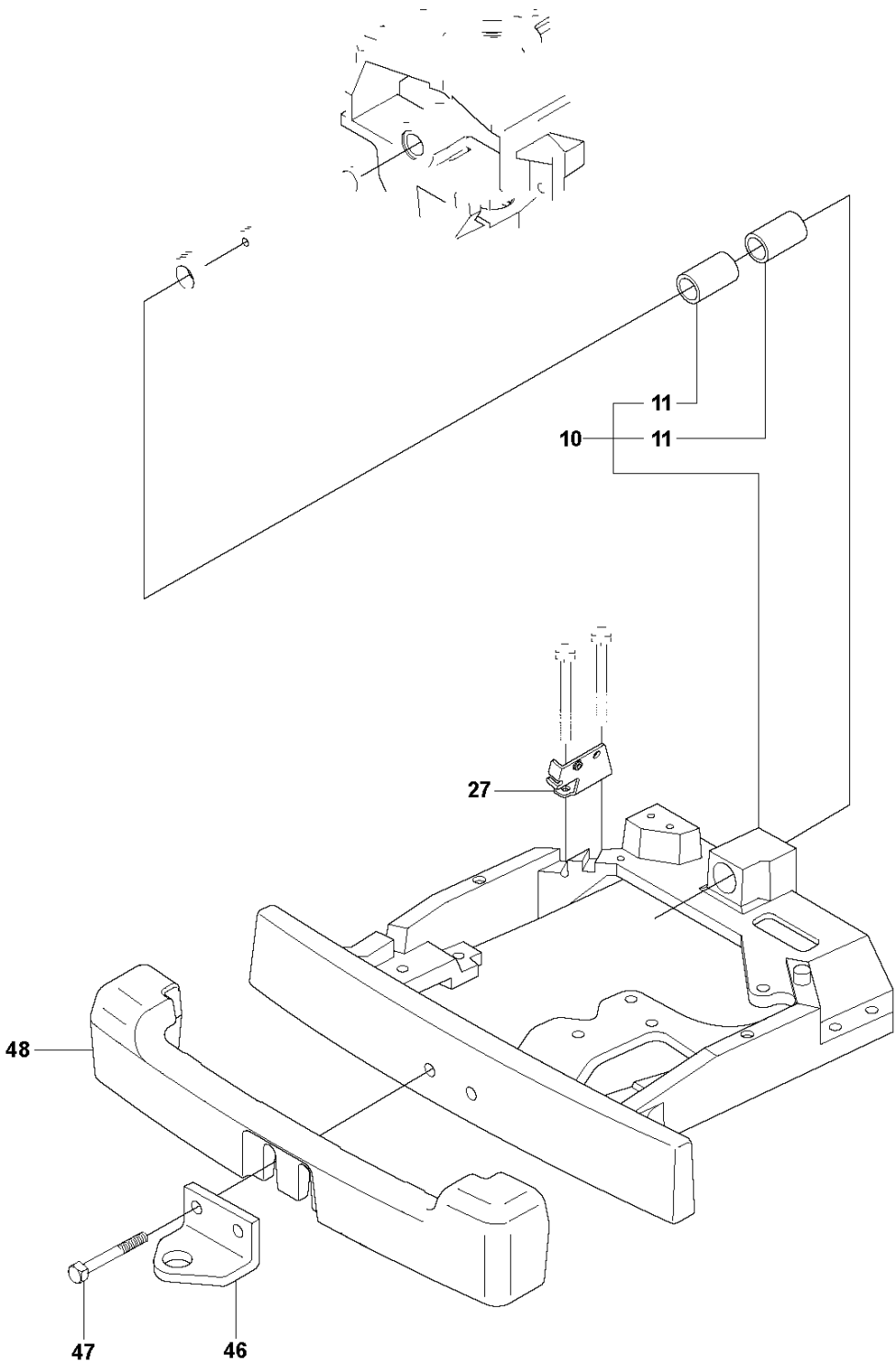


CHASSIS LOWER  
2015

R220T, 966785701, 967032001, 967150901,

Ref	Part No	Description	Remark	QTY KIT
12	506 98 63-01	TRANSMISSION		1
14	725 24 67-51	SCREW EHHM		5
15	734 11 64-01	WASHER		4
16	731 23 18-01	HEXAGON NUT		4
17	506 98 72-01	MOMENTFÄSTE		1
18	725 24 59-51	SCREW EHHM		1
19	725 24 62-51	SCREW EHHM		1
20	506 59 93-01	LINK		1
21	731 23 18-01	HEXAGON NUT		2
22	506 98 74-03	LEVER		1
23	506 91 87-02	WASHER		1
24	725 24 51-71	SCREW EHHM		1
25	506 98 75-01	ADJUSTMENT ROD		1
26	732 21 14-01	LOCK NUT		2
27	506 98 77-01	BRACKET		1
30	506 98 82-01	FRIKOPPLINGSSTÅNG		1
31	506 83 43-01	SPRING		1
32	506 98 84-01	BELT TENSIONER ASSY		1
33	506 98 85-01	BELT TENSIONER		1
34	506 94 69-01	BELT TENS WHEEL ASSY		1
35	725 24 55-51	SCREW		1
36	734 11 64-41	WASHER		1
37	732 21 18-01	LOCK NUT		1
38	506 91 87-02	WASHER		1
39	725 24 51-71	SCREW EHHM		1
40	506 98 86-01	SPRING		1
42	506 98 88-01	PENDULUM		1
43	731 23 20-51	HEXAGON NUT		1
44	506 98 90-01	EXPANSION TANK		1
45	506 98 80-01	TANK CAP ASSY		1

**J1** R220T  
CHASSIS, REAR

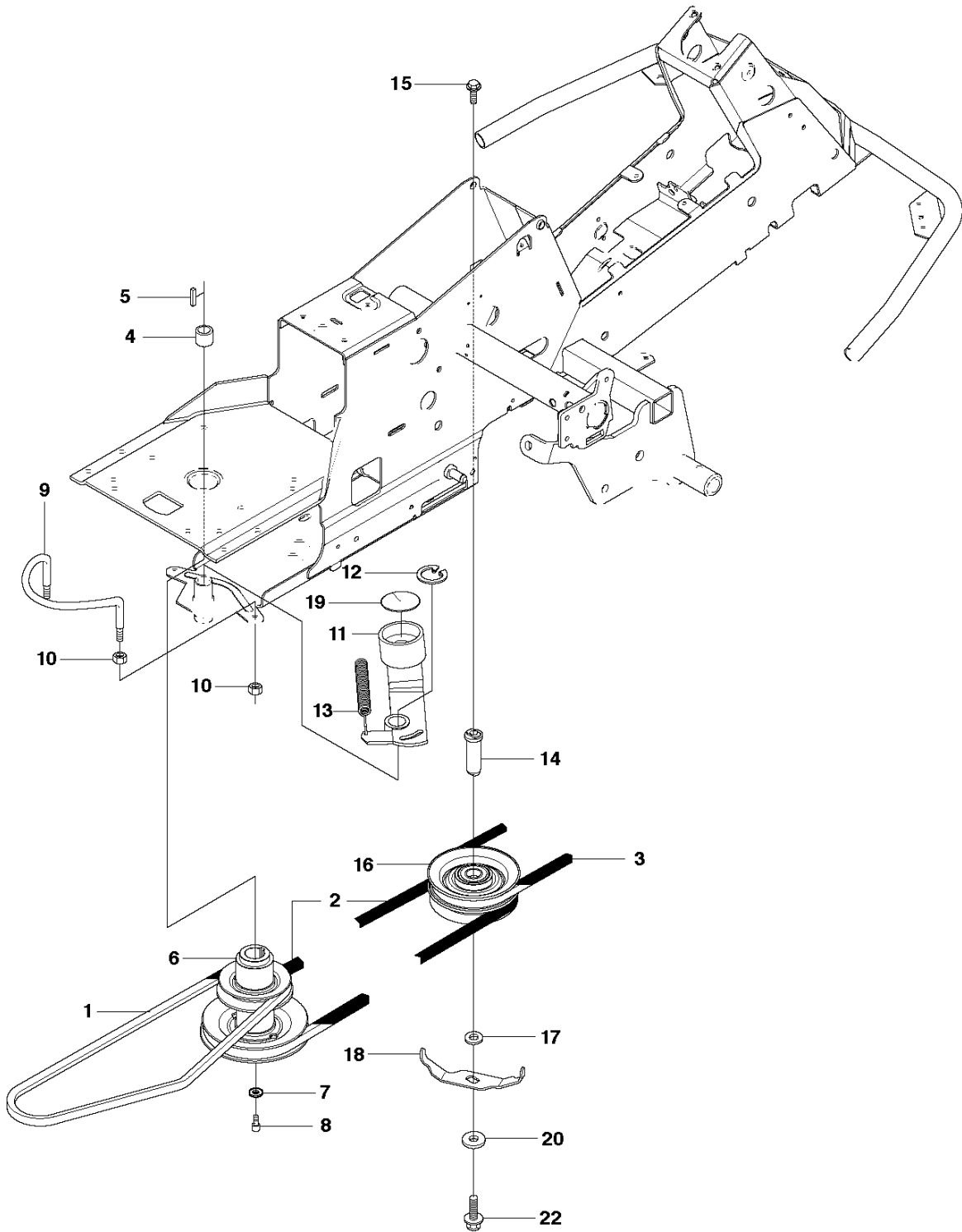


CHASSIS UPPER  
2015

R220T, 966785701, 967032001, 967150901,

Ref	Part No	Description	Remark	QTY KIT
10	535 40 60-01	BRACKET		1
11	506 98 61-02	GLIDLAGER		2
27	506 98 77-01	BRACKET		1
46	506 88 99-01	HITCH		1
47	725 25 00-51	SCREW EHHM		2
48	544 03 96-02	COUNTERWEIGHT		1

**G** R220T  
TRANSMISSION

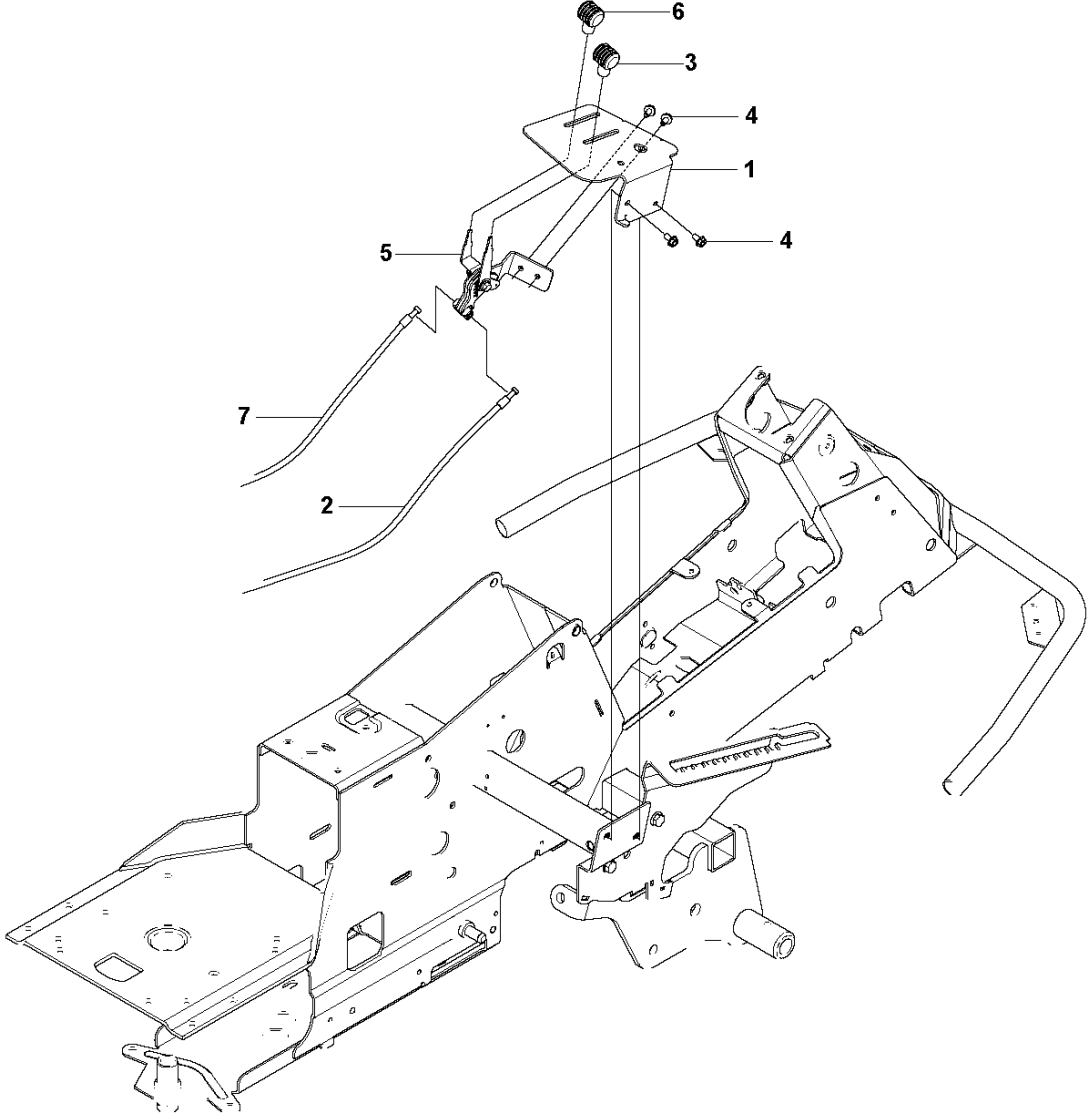


CHASSIS, ENGINE & PULLEYS  
2015

R220T, 966785701, 967032001, 967150901,

Ref	Part No	Description	Remark	QTY KIT
1	522 93 03-01	BELT		1
2	544 40 02-01	BELT		1
3	535 41 19-01	BELT		1
4	506 50 92-01	SPACING SLEEVE		1
5	506 55 59-01	WEDGE		1
6	535 48 24-01	PULLEY		1
7	506 59 75-01	WASHER		1
8	506 55 60-02	SCREW UNC		1
9	506 66 45-01	BELT GUIDE		1
10	731 23 20-51	HEXAGON NUT		4
11	535 48 44-01	BELT TENSIONER ASSY		1
12	735 31 26-00	CIRCLIP		1
13	580 67 81-01	SPRING		1
14	544 42 61-01	SHAFT		1
15	506 67 54-02	SCREW EHHFM		1
16	535 48 22-01	MELLANHJUL		1
17	506 77 57-01	WASHER		1
18	544 40 53-01	BELT GUIDE		1
19	535 48 50-01	SEALING		1
20	506 59 75-01	WASHER		1
22	506 57 01-05	SCREW EHHFM		1

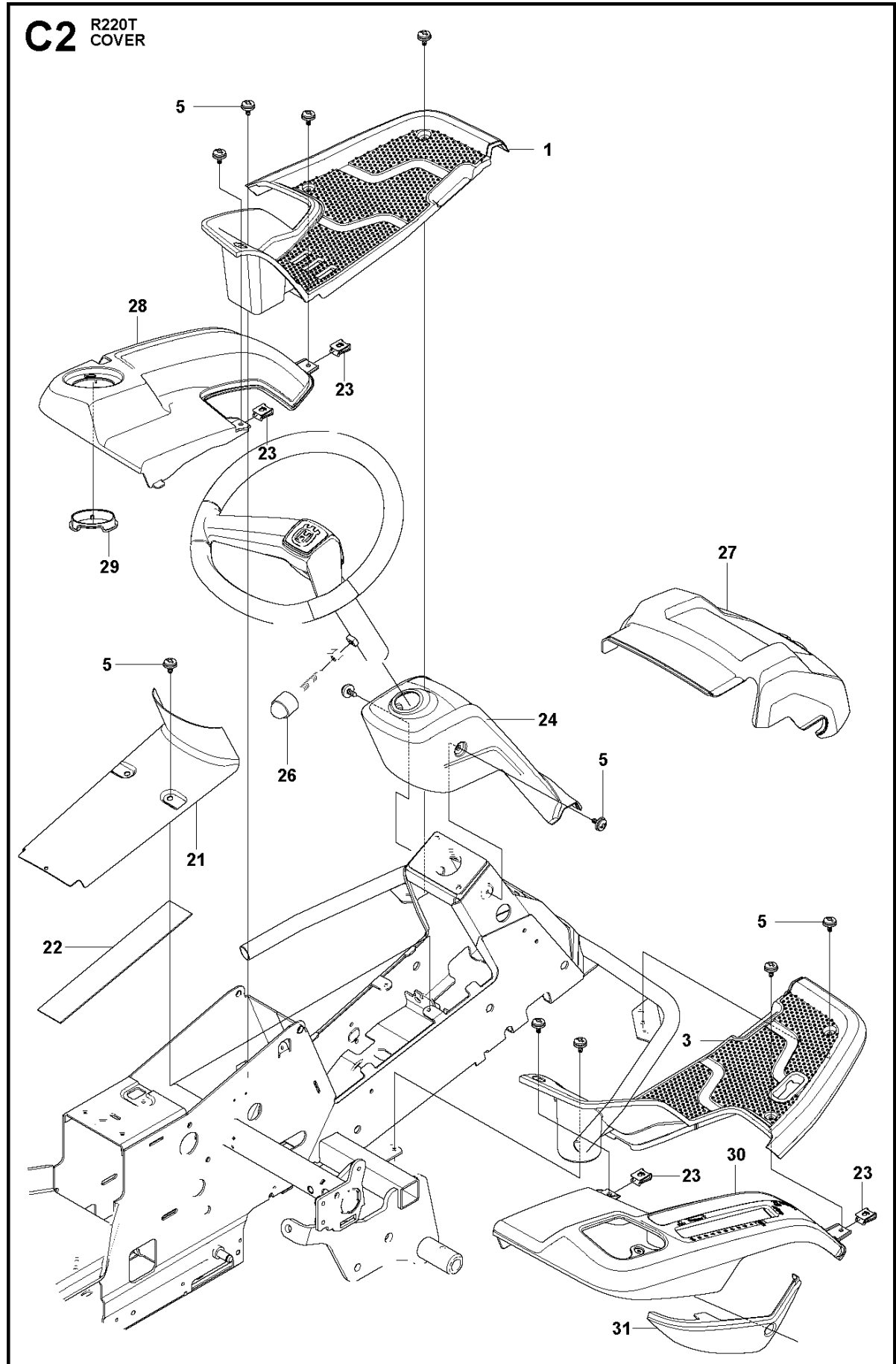
**M** R220T  
CONTROLS



CONTROLS  
2015

R220T, 966785701, 967032001, 967150901,

Ref	Part No	Description	Remark	QTY KIT
1	578 03 31-01	SUPPORT		1
2	544 30 17-06	WIRE		1
3	506 88 91-01	KNOB		1
4	535 47 52-12	SCREW EHHFM		4
5	578 02 34-01	THROTTLE CONTROL		1
6	506 88 91-02	KNOB		1
7	544 30 17-07	WIRE		1

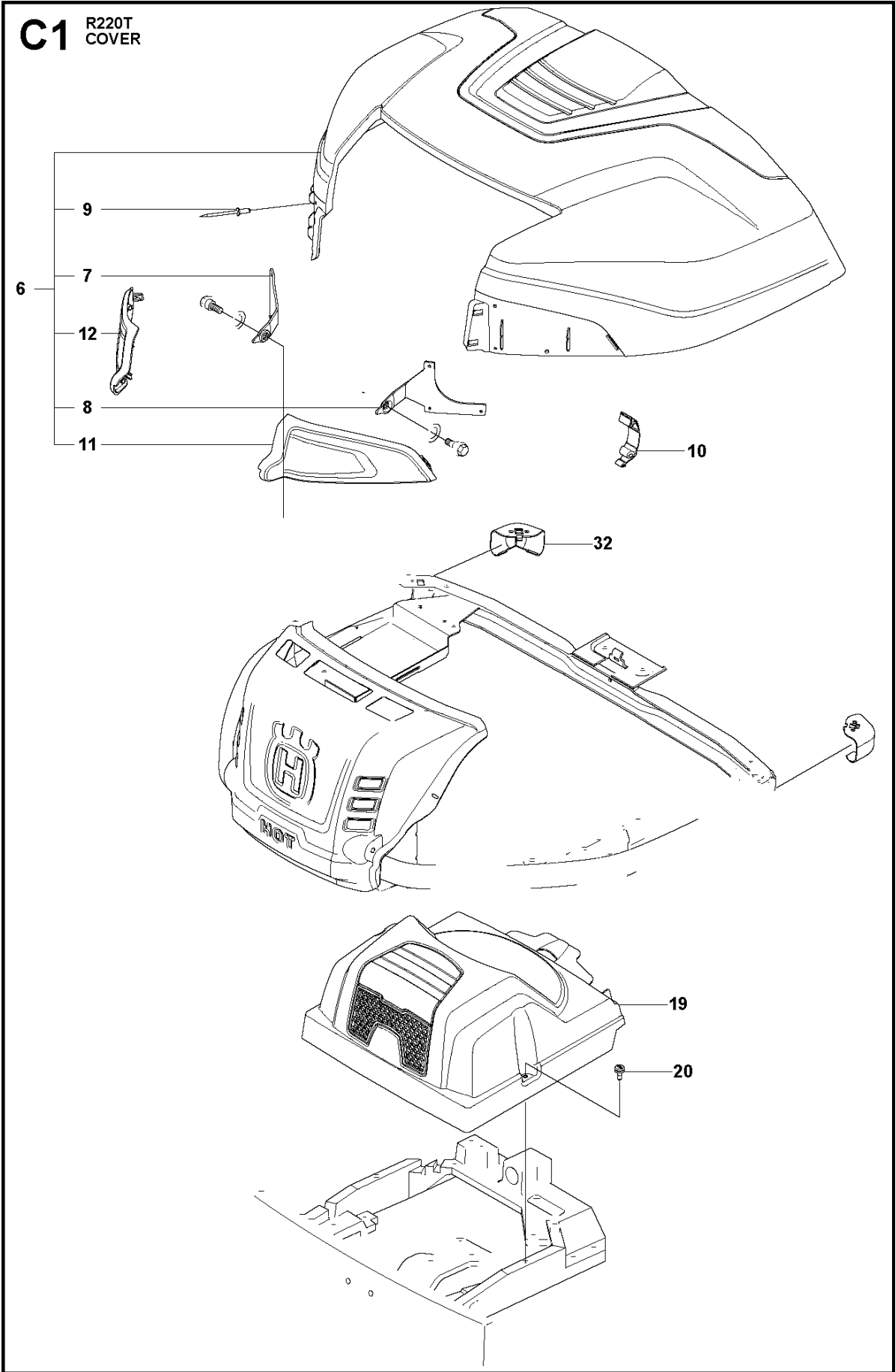




COVER  
2015

R220T, 966785701, 967032001, 967150901,

Ref	Part No	Description	Remark	QTY KIT
1	577 72 93-01	FOOT PLATE		1
3	577 72 94-01	FOOT PLATE		1
5	544 40 05-01	SCREW		14
21	544 23 92-01	COVER		1
22	544 42 75-01	MAT		1
23	535 42 91-01	SPRING NUT		4
24	577 61 58-01	COVER		1
26	544 43 32-01	PROTECTIVE COVER		1
27	525 56 24-01	UNIT COVER		1
28	577 72 95-01	FENDER		1
29	577 76 45-01	LOCKING NUT		1
30	577 72 96-01	FENDER		1
31	577 73 75-01	CONTROL COVER		1



COVER, REAR  
2015

R220T, 966785701, 967032001, 967150901,

Ref	Part No	Description	Remark	QTY KIT
6	577 61 47-03	ENGINE HOOD ASSY		1
7	578 11 37-01	HINGE		1
8	578 11 37-02	HINGE		1
9	722 79 54-02	RIVET		6
10	503 89 47-03	SNAP		1
11	577 61 26-01	COVER		1
12	577 61 26-02	COVER		1
19	578 26 13-01	TRANSMISSION COVER		1
20	574 85 62-01	SCREW		2
32	577 90 33-01	PLUG		2

**R** R220T  
DECALS

1

**STARTING INSTRUCTION**

- READ OPERATOR'S MANUAL.
- BE ON FRONT OF ENGINE.
- ENGAGE PARKING BRAKE AND LIFT.
- ELECTRIC CHOKE TO TRANSPORT POSITION.
- IF ENGINE IS COLD, USE CHOKE.
- START THE ENGINE.
- RELEASE PARKING BRAKE BEFORE DRIVING.

**INSTRUCTION DES DEMARRAGES**

- LIRE LE GUIDE DE CONDUITE.
- TENIR À L'AVANT DU MOTEUR.
- ENTRAÎNER LA POINTE DE PASSAGE ET METTRE LE CATERIN DE CHAÎNE EN POSITION TRANSPORT.
- SI LE MOTEUR EST FROID, UTILISER LE STARTER.
- DÉBARRASSER LE CATERIN.
- DÉBARRASSER LA POINTE DE PASSAGE.

CSA 79 99-03

**AVOID SERIOUS INJURY OR DEATH.**

- GO UP AND DOWN SLOWLY. NOT AGROSE.
- ALWAYS WEAR SEATBELT.
- IF MACHINE STOPS DURING UPHILL, STOP BLADE AND BACK DOWN SLOWLY.
- DO NOT MOW WHEN CHILDREN OR OTHERS ARE SPOONING.
- NEVER CARRY ONE OR MORE WITH BLADES UP.
- LOCK DOWN AND BEHIND BEFORE AND WHILE BACKING.
- KEEP HANDS BY CONTROL (BRAKES, STEERING, AND REVERSE) IN FLICE AND WORKING.
- REMOVE OBSTACLES THAT COULD BE THROWN BY THE BLADE.
- READ OPERATOR'S MANUAL.

**DANGER DE BLESSURES GRAVES OU MORTELLES.**

- JAMAIS MONTREZ EN HAUT.
- À LA TOMBÉE D'UN OBJET, ARRÊTER LES LAINES ET FAIRE SÉRIEUSEMENT L'ARRÊT.
- NE PAS TONNER EN PRÉSENCE D'ENFANTS OU D'AUTRES PERSONNES.
- NE PAS PORTER UN OBJET EN HAUT.
- DÉBARRASSER VERTS LE BAS ET EN ARRIÈRE AVANT ET PENDANT LA MACHINERIE.
- QUAND TONNER LES BRAS EN HAUT DE SÉCURITÉ (PROTECTEURS) SONT EN POSITION.
- ENLEVER LES OBSTACLES QUI POURRAIENT ÊTRE PROJÉTÉS PAR LES LAINES.
- LIRE LE MANUEL DU PROPRIÉTAIRE.

2  
Husqvarna

3  
R-220T

4

**READ OPERATOR'S MANUAL AND FOLLOW ALL SAFETY WARNINGS.**

**NE PAS TONNER EN HAUT.**

**NE PAS PORTER UN OBJET EN HAUT.**

**NE PAS TONNER EN PRÉSENCE D'ENFANTS OU D'AUTRES PERSONNES.**

**DANGER DE BLESSURES GRAVES OU MORTELLES.**

**NE PAS TONNER EN HAUT.**

**À LA TOMBÉE D'UN OBJET, ARRÊTER LES LAINES ET FAIRE SÉRIEUSEMENT L'ARRÊT.**

**NE PAS PORTER UN OBJET EN HAUT.**

**DANGER DE BLESSURES GRAVES OU MORTELLES.**

**NE PAS TONNER EN PRÉSENCE D'ENFANTS OU D'AUTRES PERSONNES.**

**NE PAS PORTER UN OBJET EN HAUT.**

**DANGER DE BLESSURES GRAVES OU MORTELLES.**

**NE PAS TONNER EN PRÉSENCE D'ENFANTS OU D'AUTRES PERSONNES.**

**NE PAS PORTER UN OBJET EN HAUT.**

CSA 79 99-03



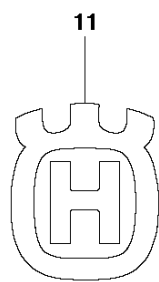
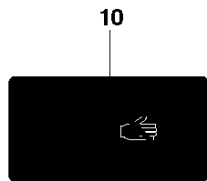
6

9

EMISSIONS CONTROL INFORMATION		
<b>HUSQVARNA</b>	<b>MANUFACTURE DATE:</b> XXXX-XX	
<b>THIS EQUIPMENT MEETS</b>	<b>FUEL CAP</b>	<b>FUEL TANK</b>
<b>U.S. EVAP STANDARDS</b>	684982-08	6779180-02
<b>FAMILY</b>	XXXXXXXXXX	XXXXXXXXXX
XXXXXXXXXXXX	XXXXXXXXXX	XXXXXXXXXX
<b>FUEL LINE</b>	XXXXXXXXXXXX	XXXXXXXXXXXX
8-05-018 EPA-15	XXXXXXXXXXXX	XXXXXXXXXXXX

7

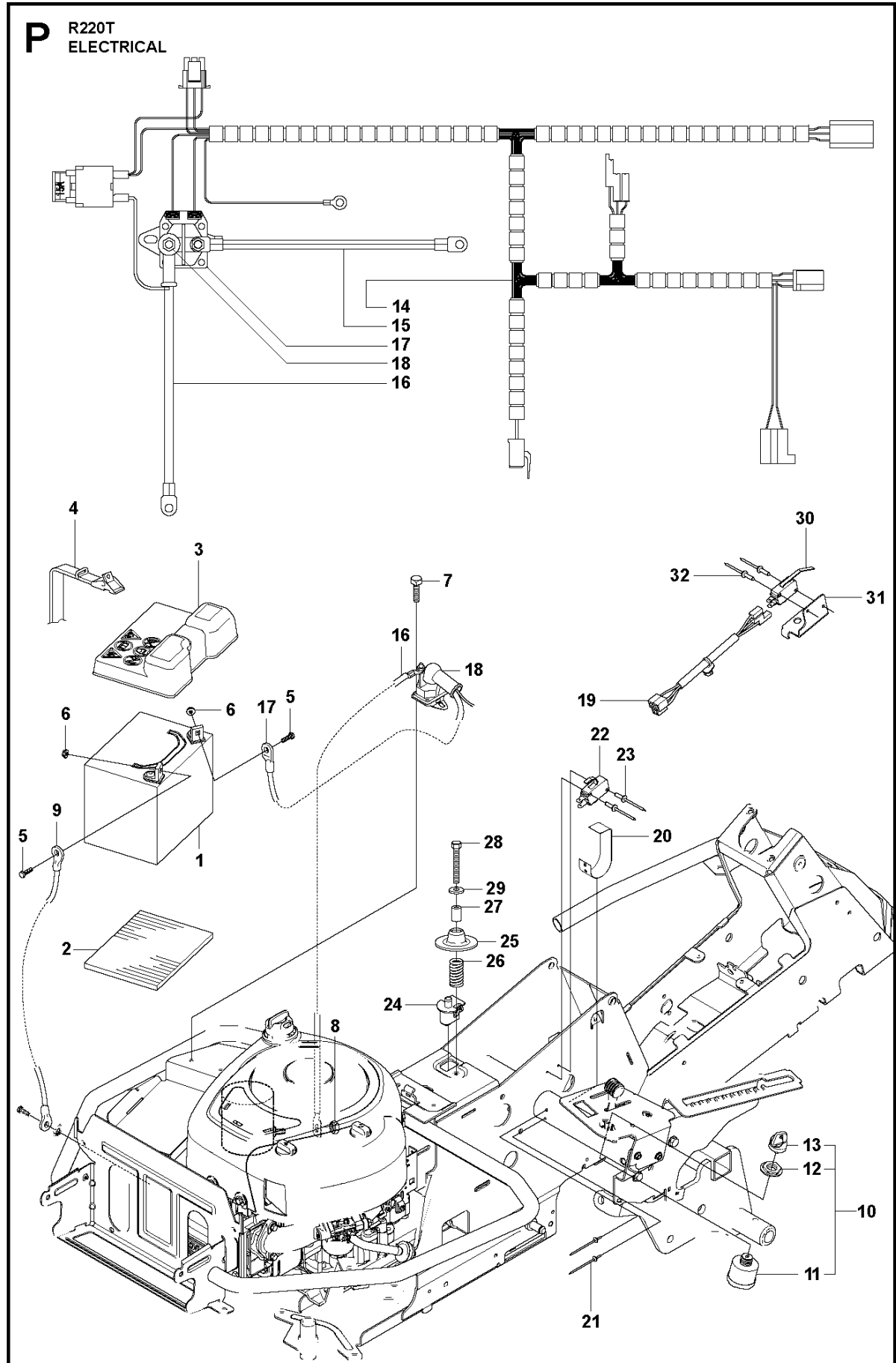
8  
Husqvarna Forest & Garden  
7349 Statesville Road  
Charlotte, NC 28269, USA



DECALS  
2015

R220T, 966785701, 967032001, 967150901,

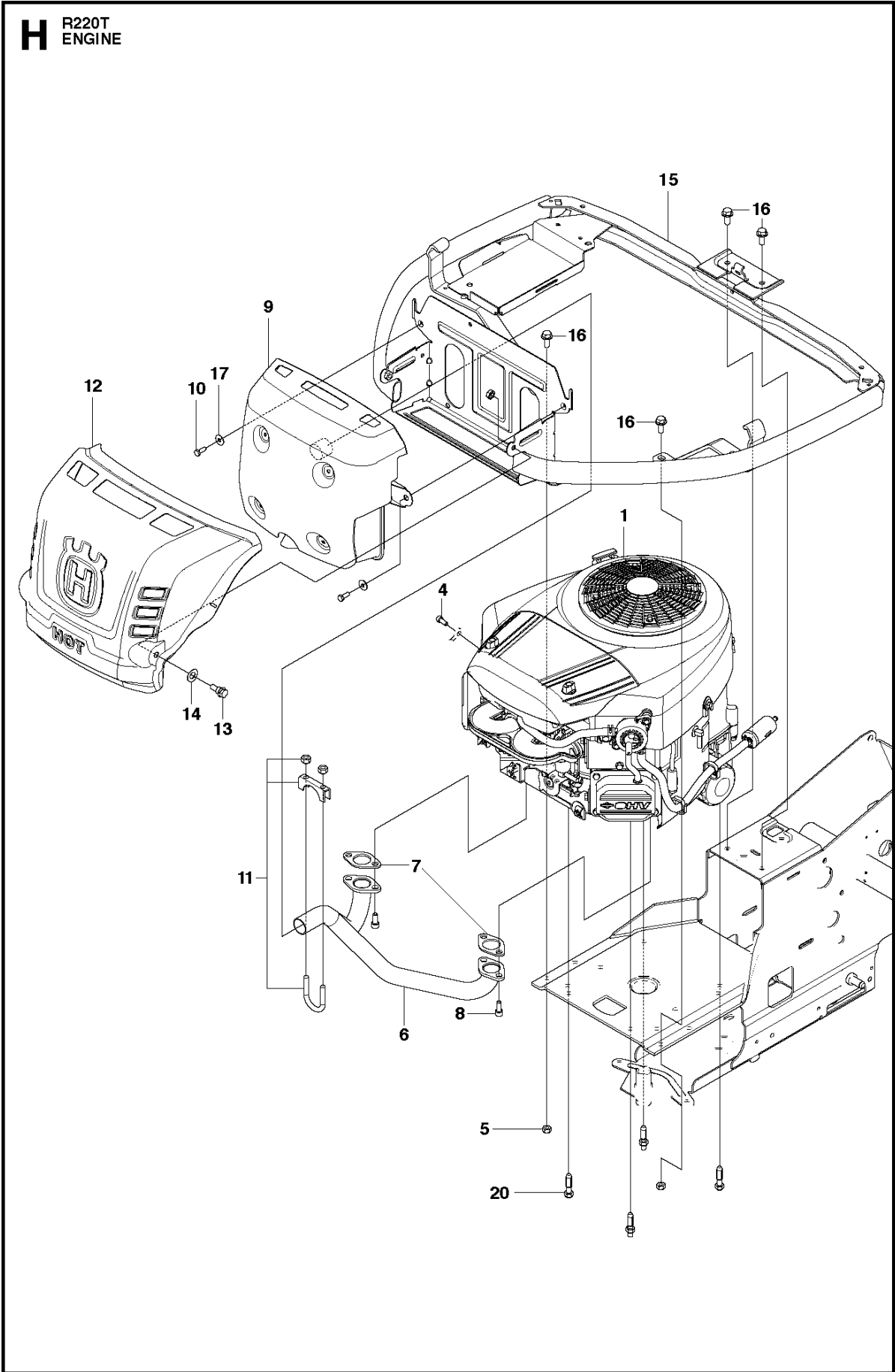
Ref	Part No	Description	Remark	QTY KIT
1	504 79 88-01	LABEL		1
2	577 06 20-01	DECAL		2
3	578 36 45-11	DECAL		2
4	506 88 07-02	DECAL		1
5	578 39 25-02	DECAL		1
6	544 21 14-01	LABEL		1
7	574 44 32-01	LABEL		1
8	506 98 39-01	DECAL		1
9	578 86 63-01	DECAL		1
10	574 51 00-01	DECAL		1
11	576 97 34-01	DECAL		1



ELECTRICAL  
2015

R220T, 966785701, 967032001, 967150901,

Ref	Part No	Description	Remark	QTY KIT
1	577 04 16-01	BATTERY		1
2	535 44 11-01	BATTERY MAT		1
3	578 20 06-01	COVER		1
4	506 83 68-02	BELT		1
5	522 62 21-01	SCREW EHHM		2
6	522 62 43-01	NUT		2
7	725 23 64-61	SCREW EHHFT		1
8	506 89 98-01	NUT		1
9	576 18 38-01	CABLE		1
10	544 44 21-01	IGNITION SWITCH		1
11	544 44 22-01	IGNITION SWITCH		1
12	544 44 23-01	NUT		1
13	544 44 24-01	IGNITION KEY		1
14	578 33 83-01	WIRING		1
15	576 18 40-01	CABLE		1
16	576 18 39-01	CABLE		1
17	544 43 98-01	RELAY		1
18	506 89 98-01	NUT		2
19	576 18 54-01	WIRING		1
20	506 90 93-01	PLATE SPRING		1
21	722 78 39-02	BLIND RIVET		2
22	574 31 60-01	SWITCH		1
23	544 44 07-01	RIVET		2
24	506 90 96-01	SWITCH		1
25	506 90 97-01	SPRING WASHER		1
26	544 44 12-01	SPRING		1
27	506 90 99-02	SPACING TUBE		1
28	725 24 60-51	SCREW EHHM		1
29	734 11 64-01	WASHER		1
30	574 31 61-01	SWITCH		1
31	544 41 57-01	BRACKET		1
32	544 44 07-01	RIVET		2



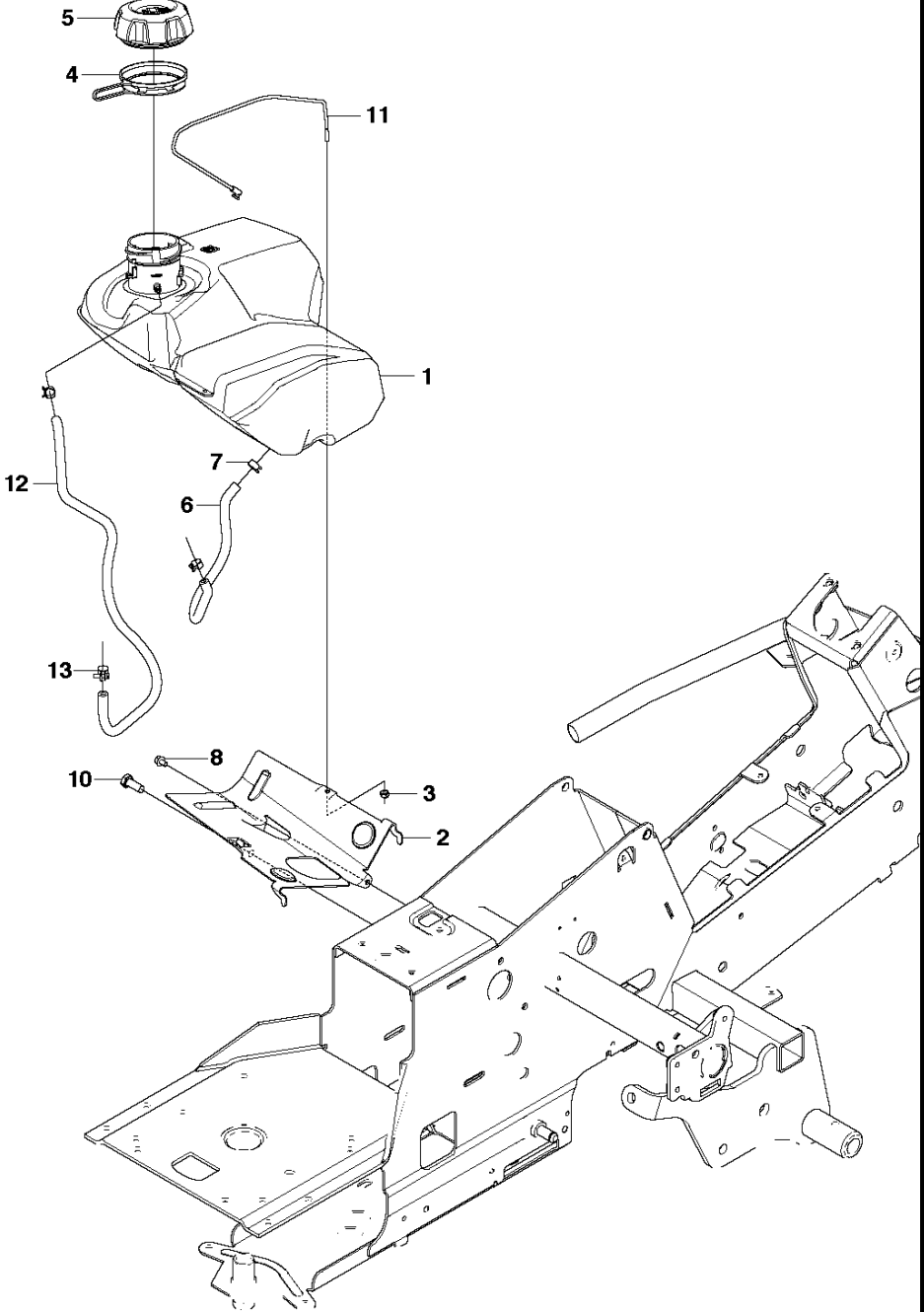


ENGINE  
2015

R220T, 966785701, 967032001, 967150901,

Ref	Part No	Description	Remark	QTY KIT
1	578 32 74-01	ENGINE		1
4	578 87 89-01	SCREW		1
5	732 21 18-01	LOCK NUT		6
6	578 05 86-01	MANIFOLD		1
7	506 91 45-01	GASKET		2
8	506 55 63-01	SCREW UNC		4
9	577 81 36-01	MUFFLER		1
10	725 23 64-61	SCREW EHHFT		2
11	506 66 84-01	CLAMP ASSY		1
12	579 48 16-01	HEAT SHIELD		1
13	506 59 74-01	SCREW EHHFM		2
14	506 83 94-01	SPRING WASHER		2
15	577 84 91-01	ENGINE FRAME		1
16	506 57 01-04	SCREW EHHFM		4
17	734 11 54-41	WASHER		2
20	578 20 75-01	STUD SCREW		4

**B** R220T  
FUEL SYSTEM

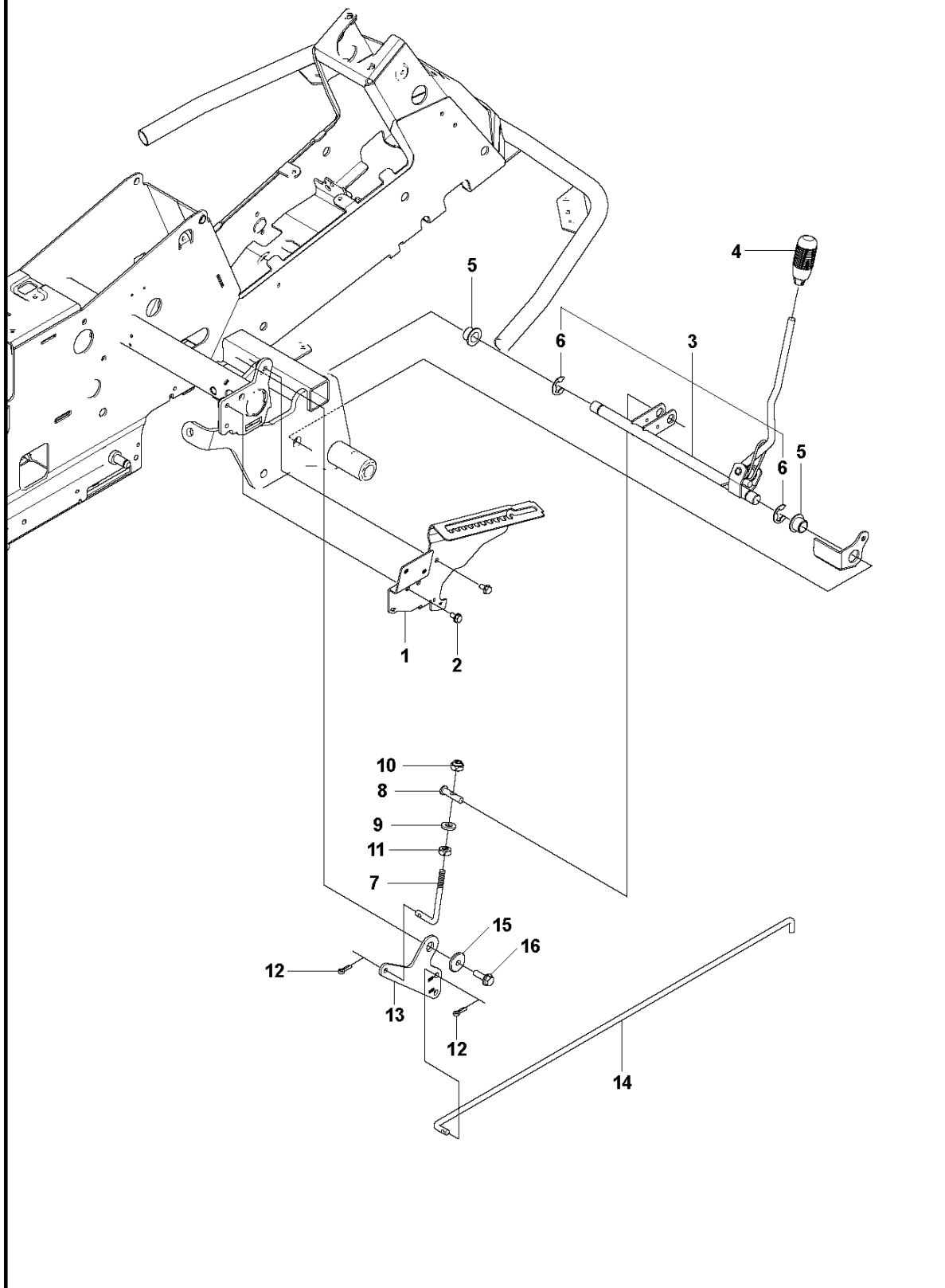


FUEL SYSTEM  
2015

R220T, 966785701, 967032001, 967150901,

Ref	Part No	Description	Remark	QTY KIT
1	577 91 50-02	FUEL TANK		1
2	578 05 38-01	BRACKET		1
3	732 21 16-01	NUT		1
4	544 28 26-04	HOSE CLAMP		1
5	532 43 92-08	HUB CAP		1
6	504 80 00-10	FUEL HOSE		1
7	535 46 97-01	HOSE BRACE		3
8	725 23 64-61	SCREW EHHFT		1
10	725 24 93-71	SCREW EHHM		1
11	578 26 15-01	WIRE		1
12	504 80 00-11	FUEL HOSE		1
13	544 28 26-04	HOSE CLAMP		1

**D** R220T  
HEIGHT ADJUSTMENT

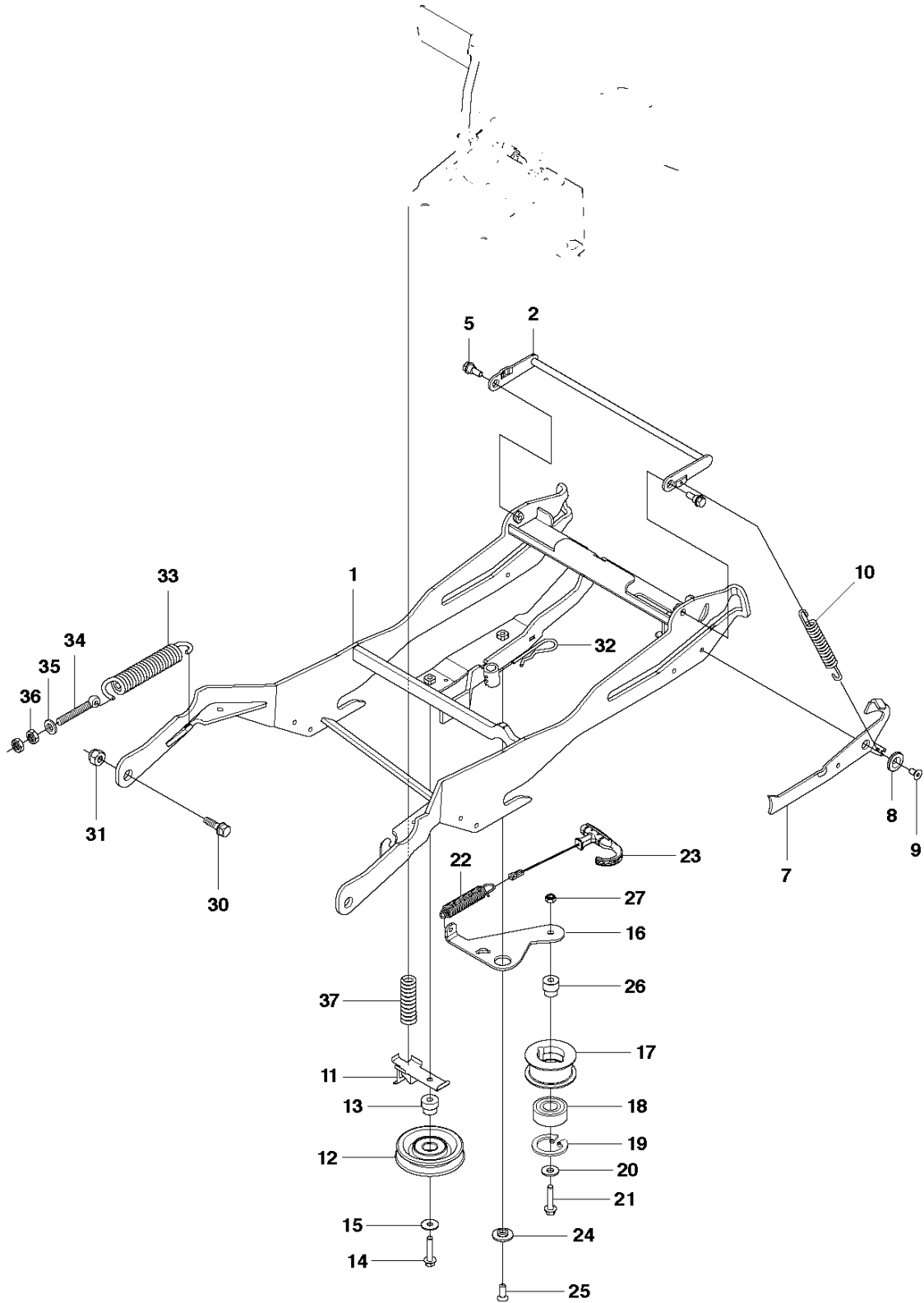


HEIGHT ADJUSTMENT  
2015

R220T, 966785701, 967032001, 967150901,

Ref	Part No	Description	Remark	QTY KIT
1	578 00 13-02	BRACKET		1
2	506 57 01-03	SCREW EHHFM		2
3	577 99 99-01	ADJUSTER		1
4	506 54 20-01	HANDLE		1
5	506 55 43-01	BEARING		2
6	735 31 22-20	E-CLIP		2
7	506 90 82-01	HEIGHT ROD		1
8	506 78 46-01	PEN		1
9	734 11 72-01	WASHER		1
10	732 21 18-01	LOCK NUT		1
11	731 23 18-01	HEXAGON NUT		1
12	721 61 83-01	SPLIT PIN		2
13	578 04 07-01	LINK		1
14	523 11 45-01	CONNECTION ROD		1
15	506 91 87-02	WASHER		1
16	506 57 01-05	SCREW EHHFM		1

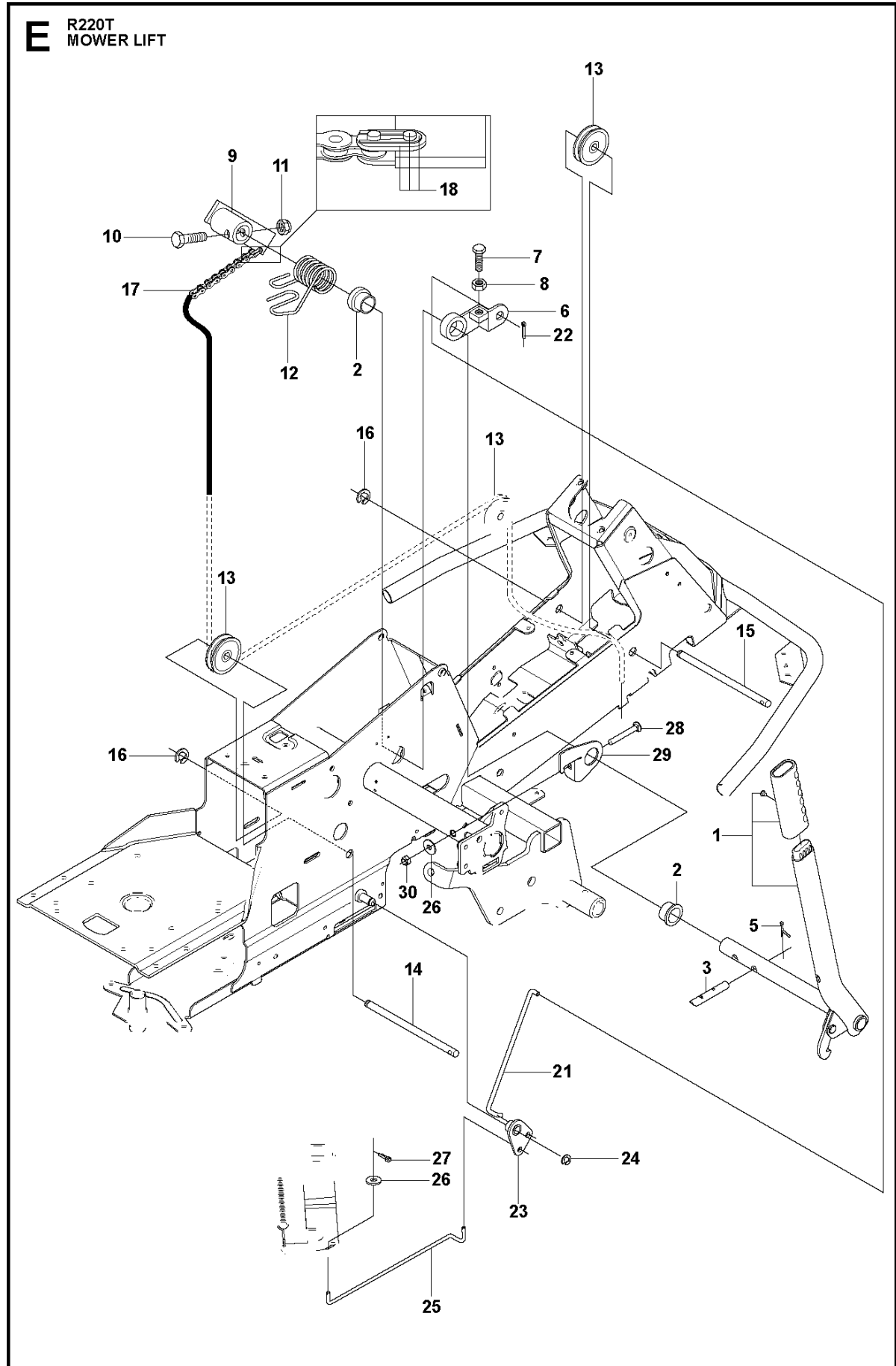
**S** R220T  
EQUIPMENT FRAME ASSY



MOWER LIFT / DECK LIFT  
2015

R220T, 966785701, 967032001, 967150901,

Ref	Part No	Description	Remark	QTY KIT
1	523 06 42-01	EQUIPMENT FRAME		1
2	525 47 59-01	HOOK		1
5	506 59 74-01	SCREW EHHFM		2
7	523 11 66-02	LEVER		1
8	506 91 87-01	WASHER		1
9	725 64 48-01	SCREW IHCSFM		1
10	506 53 56-03	DRAW SPRING		1
11	578 91 05-01	BRAKE		1
12	506 97 48-01	PULLEY		1
13	506 82 68-02	BUSHING		1
14	725 24 59-51	SCREW EHHM		1
15	734 11 64-41	WASHER		1
16	577 22 87-01	SHEET		1
17	505 15 39-01	BELT TENSIONER WHEEL ASSY		1
18	738 21 04-04	BALL BEARING		1
19	735 31 38-10	CIRCLIP		1
20	734 11 64-41	WASHER		1
21	725 24 59-51	SCREW EHHM		1
22	504 62 24-01	SPRING		1
23	504 62 21-02	HANDLE ASSY		1
24	505 45 17-01	WASHER		1
25	725 64 53-01	SCREW IHCSFM		1
26	535 48 48-01	BUSHING		1
27	732 21 18-01	LOCK NUT		1
30	506 89 58-01	COLLAR SCREW		2
31	732 25 22-01	HEXAGON LOCKING NUT		2
32	506 96 66-01	HAIR PIN COTTER		1
33	506 83 76-01	SPRING		2
34	506 83 77-01	RING BOLT		2
35	734 11 72-01	WASHER		2
36	731 23 20-51	HEXAGON NUT		4
37	579 31 99-01	SPRING		1

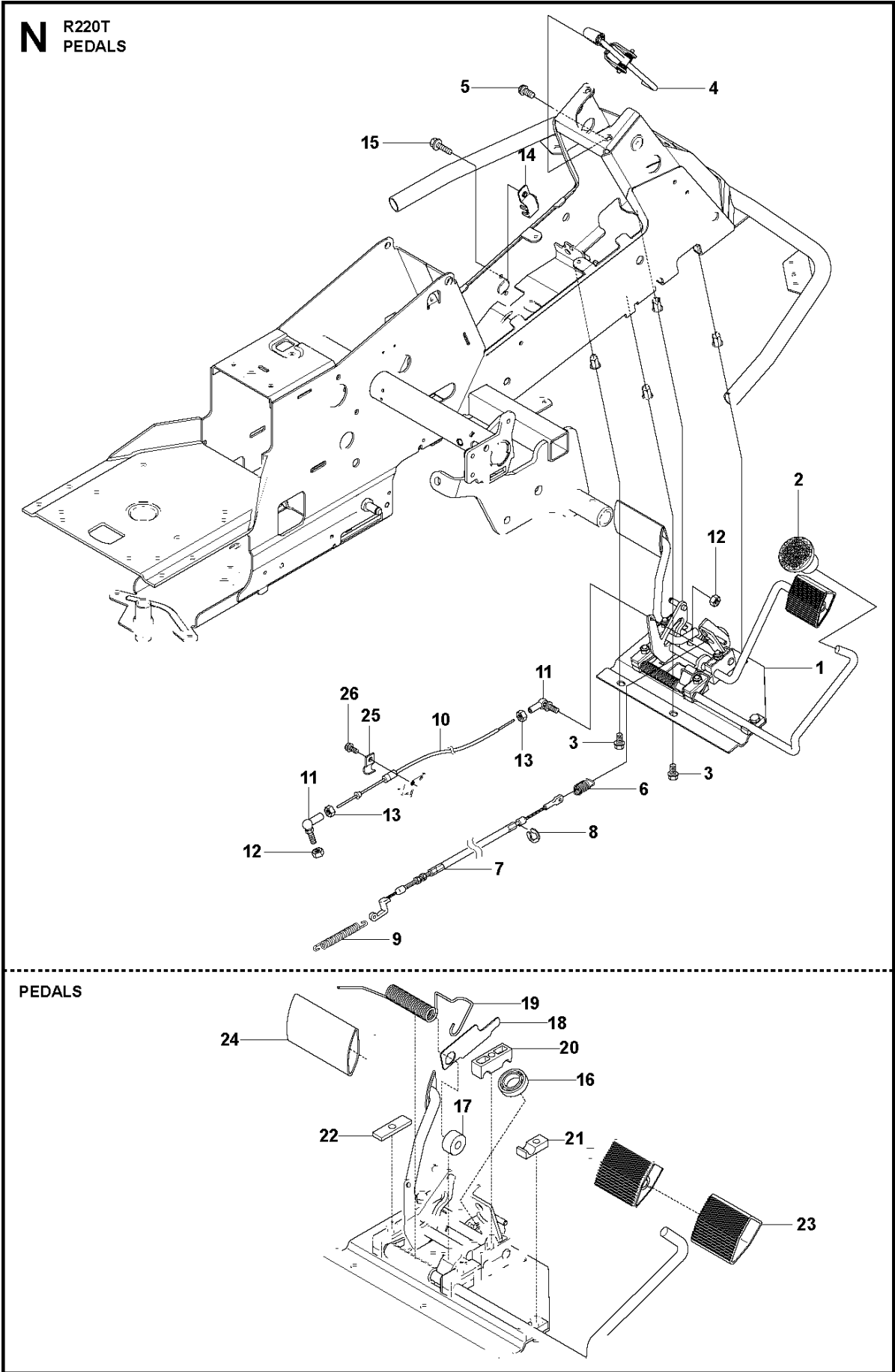




MOWER LIFT / DECK LIFT  
2015

R220T, 966785701, 967032001, 967150901,

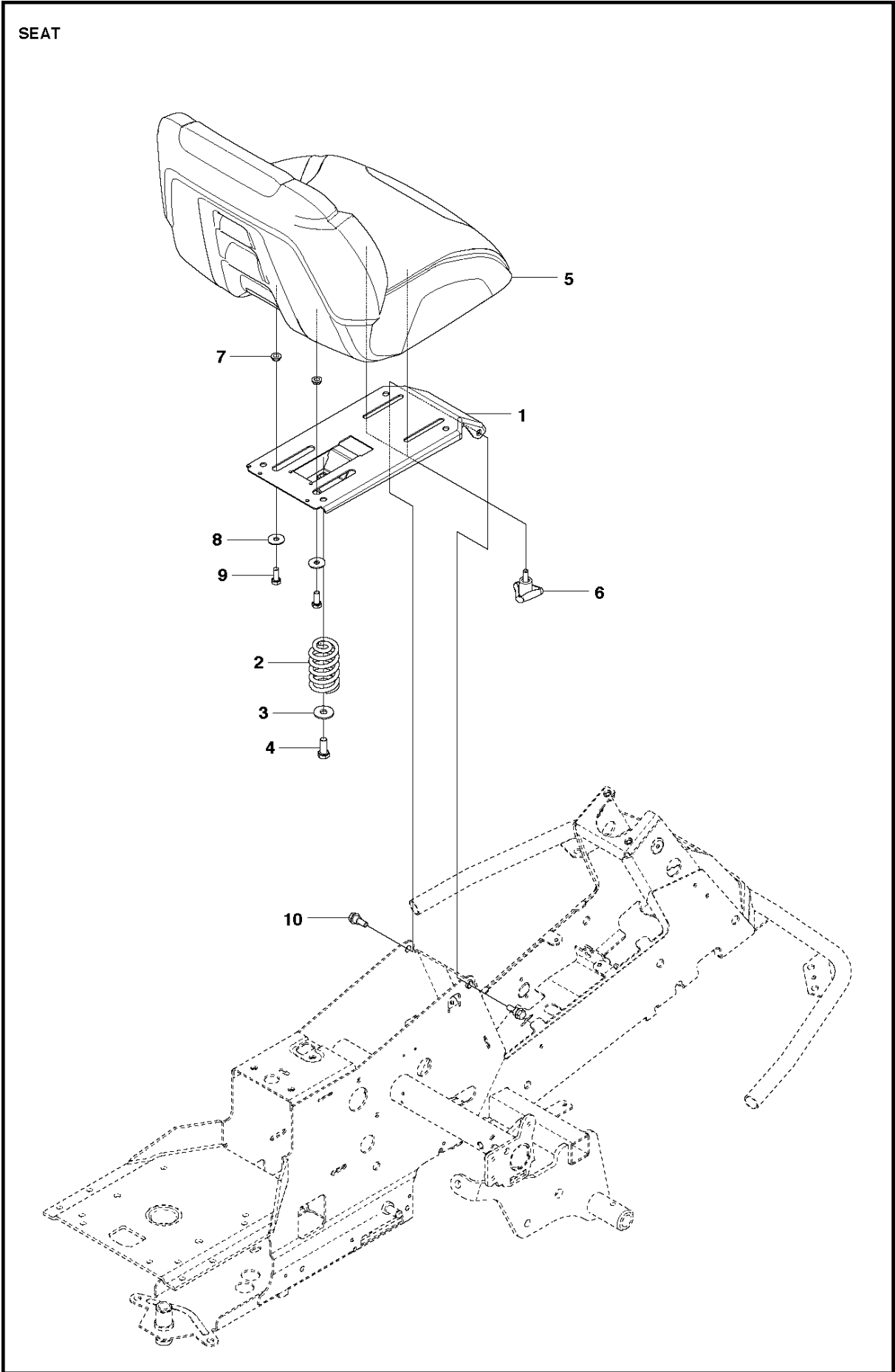
Ref	Part No	Description	Remark	QTY KIT
1	577 96 67-01	LIFTING LEVER ASSY		1
2	506 55 65-01	BEARING		2
3	525 40 66-01	PEN		1
5	721 61 83-01	SPLIT PIN		1
6	506 78 43-01	LINK ASSY		1
7	725 24 97-51	SCREW		1
8	731 23 20-51	HEXAGON NUT		1
9	544 43 36-01	LIFTING ARM		1
10	725 25 42-51	SCREW EHHM		1
11	732 25 22-01	HEXAGON LOCKING NUT		1
12	506 91 68-01	SPRING		1
13	506 90 56-01	OFFSET PULLEY		2
14	506 90 57-01	SHAFT		1
15	506 90 57-02	SHAFT		1
16	735 31 18-20	E-CLIP		2
17	506 55 46-07	CHAIN		1
18	506 55 47-01	LINKAGE		1
21	544 45 69-01	CONNECTION ROD		1
22	721 61 83-01	SPLIT PIN		1
23	544 37 86-01	LINK		1
24	735 31 14-20	E-CLIP		1
25	544 44 88-01	CONNECTION ROD		1
26	734 11 64-41	WASHER		2
27	721 61 83-01	SPLIT PIN		1
28	535 42 38-03	SCREW RSQM		1
29	577 99 95-01	SHEET		1
30	732 21 18-01	LOCK NUT		1



PEDALS  
2015

R220T, 966785701, 967032001, 967150901,

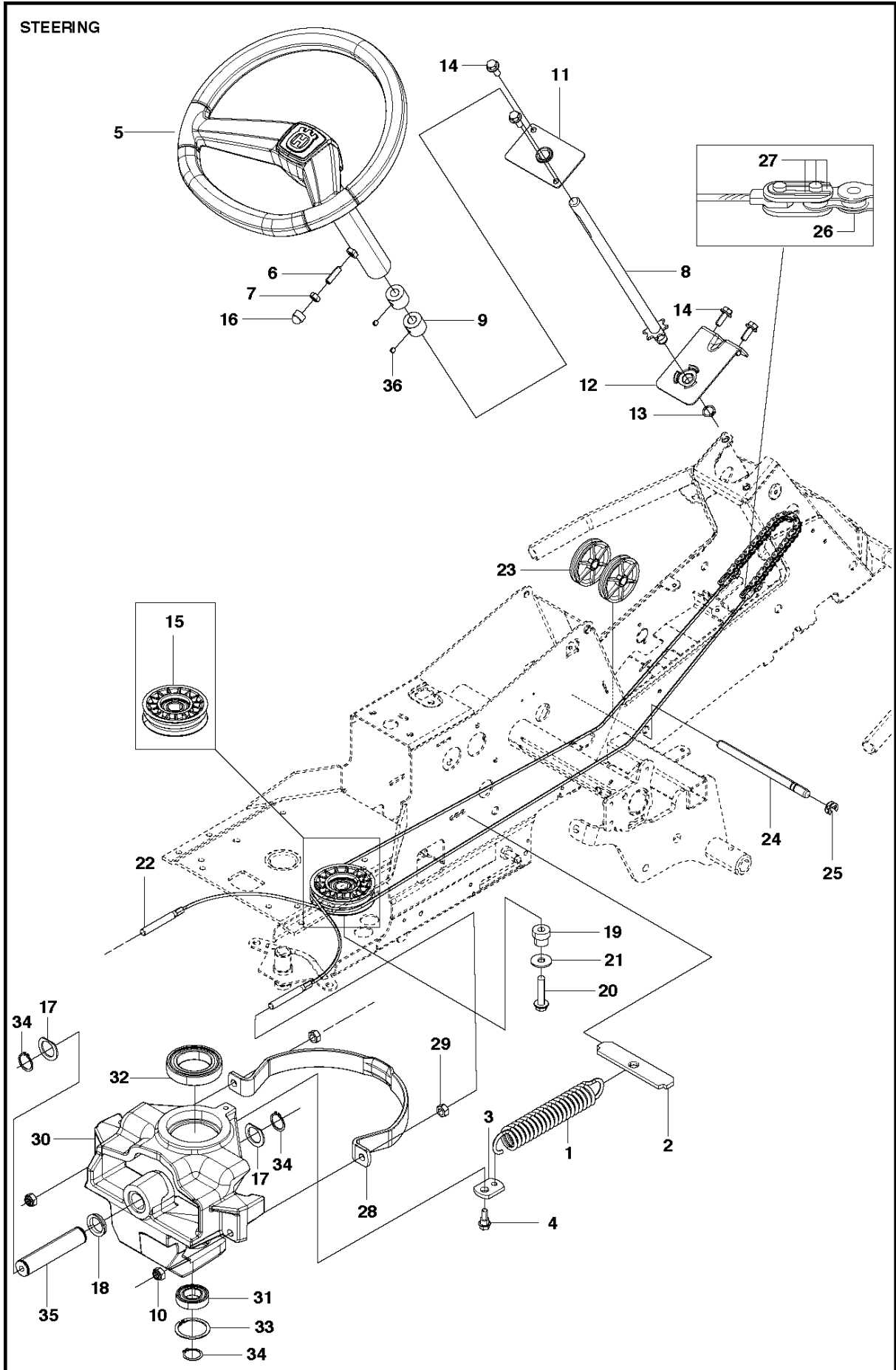
Ref	Part No	Description	Remark	QTY KIT
1	544 12 60-01	PEDAL PLATE ASSY		1
2	535 47 37-01	KNOB		1
3	506 57 01-04	SCREW EHHFM		4
4	544 40 31-01	BRAKE LEVER ASSY		1
5	725 23 64-61	SCREW EHHFT		2
6	506 94 63-01	BRAKE SPRING		1
7	506 99 27-01	BRAKE WIRE		1
8	735 31 09-20	HARNESS		1
9	506 53 56-03	DRAW SPRING		1
10	574 41 11-01	CONTROL CABLE		1
11	506 55 73-01	VINKELL.AS8 DIN71802		2
12	732 21 14-01	LOCK NUT		2
13	731 23 14-01	HEXAGON NUT		2
14	522 43 08-01	BRACKET		1
15	725 23 64-61	SCREW EHHFT		1
16	738 21 02-04	BALL BEARING		1
17	535 48 02-01	ROLLER		1
18	535 48 06-01	PROTECTIVE PLATE		1
19	535 48 07-01	SPRING		1
20	535 48 08-01	BEARING SUPPORT		4
21	535 48 09-01	BEARING SUPPORT		1
22	535 48 10-01	REINFORCEMENT PLATE		1
23	535 47 88-01	PEDAL RUBBER		1
24	535 47 88-02	PEDAL RUBBER		1
25	506 56 65-01	CLIP		1
26	725 23 64-61	SCREW EHHFT		1



SEAT  
2015

R220T, 966785701, 967032001, 967150901,

Ref	Part No	Description	Remark	QTY KIT
1	587 15 27-01	SEAT BRACKET		1
2	506 91 53-01	COMPRESSION SPRING		1
3	734 11 74-41	WASHER		1
4	725 24 93-71	SCREW EHHM		1
5	587 39 76-01	SEAT		1
6	585 06 52-02	KNOB		2
7	506 56 53-01	BUSHING		2
8	734 11 64-41	WASHER		2
9	725 24 51-71	SCREW EHHM		2
10	506 59 74-01	SCREW EHHFM		2

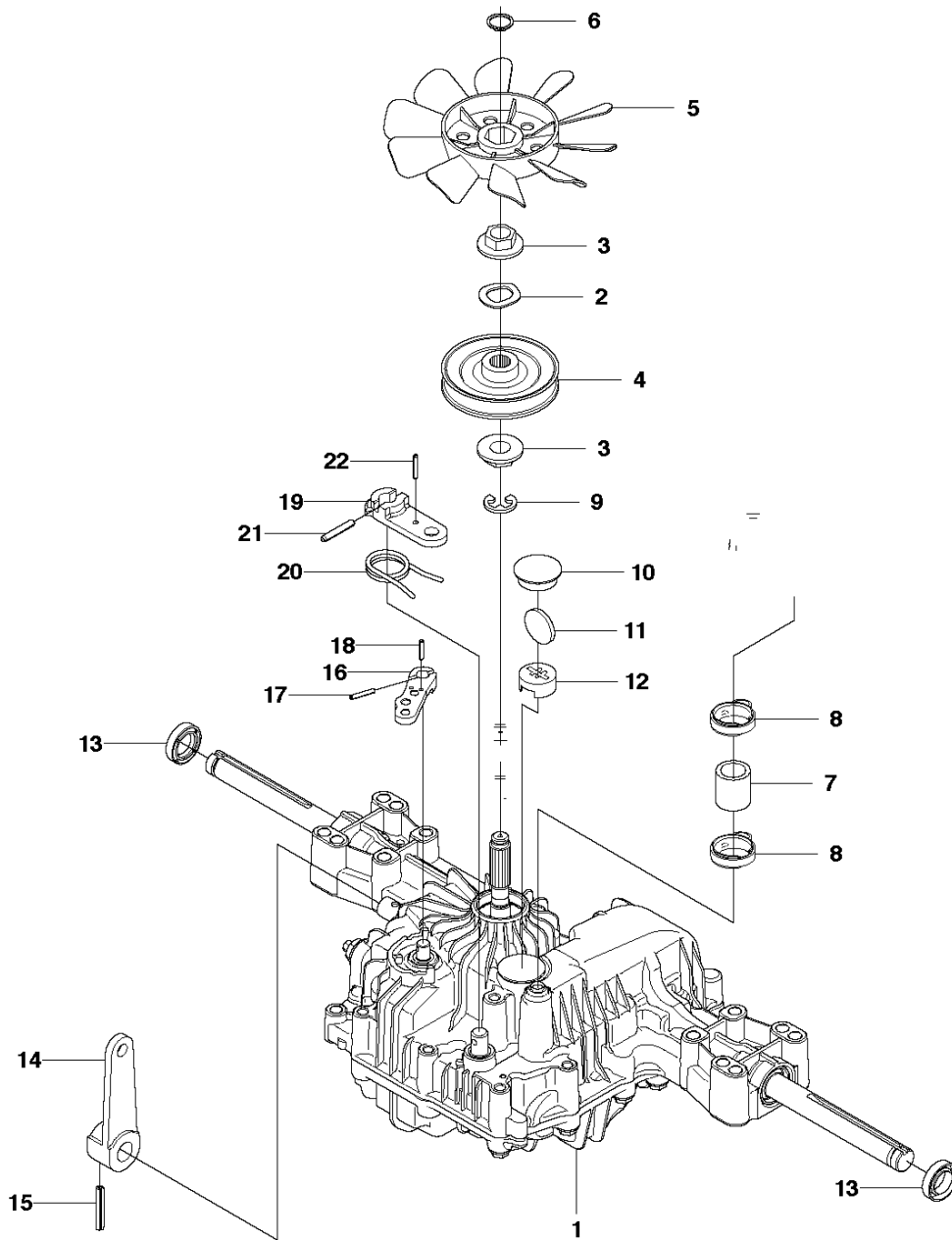


STEERING  
2015

R220T, 966785701, 967032001, 967150901,

Ref	Part No	Description	Remark	QTY KIT
1	506 67 19-01	SPRING		1
2	506 57 63-01	SPRING RETAINER		1
3	506 67 08-01	LINK		1
4	506 59 74-01	SCREW EHHFM		1
5	577 96 04-02	STEERING WHEEL		1
6	728 74 55-05	SCREW IHSETM		1
7	731 23 18-01	HEXAGON NUT		1
8	583 89 99-01	STEERING ROD		1
9	506 86 34-01	DRIVER		2
10	732 21 20-51	NUT		2
11	584 15 56-01	BRACKET		1
12	583 89 97-01	BRACKET		1
13	735 31 17-00	CIRCLIP		1
14	506 57 01-04	SCREW EHHFM		4
15	576 49 25-01	PULLEY		1
16	544 43 32-01	PROTECTIVE COVER		1
17	506 77 34-01	WASHER		2
18	740 68 14-21	V-RING		1
19	576 48 73-01	BUSHING		1
20	506 67 54-03	SCREW EHHFM		1
21	734 11 74-41	WASHER		1
22	577 19 99-04	WIRE ASSY		2
23	506 52 24-01	STARTER PULLEY		2
24	506 53 94-04	SHAFT		1
25	735 31 14-20	E-CLIP		2
26	506 55 46-01	CHAIN		1
27	506 55 47-01	LINKAGE		2
28	544 42 73-01	WIRE GUIDE		1
29	731 23 20-01	HEXAGON NUT		2
30	577 65 93-01	SPINDLE		1
31	738 21 05-04	BALL BEARING		1
32	738 21 10-04	BALL BEARING		1
33	735 31 40-10	CIRCLIP		1
34	735 31 26-00	CIRCLIP		3
35	506 98 59-01	SWING AXLE		1
36	728 84 43-05	SCREW IHSETM		2

**K** HYDROSTAT



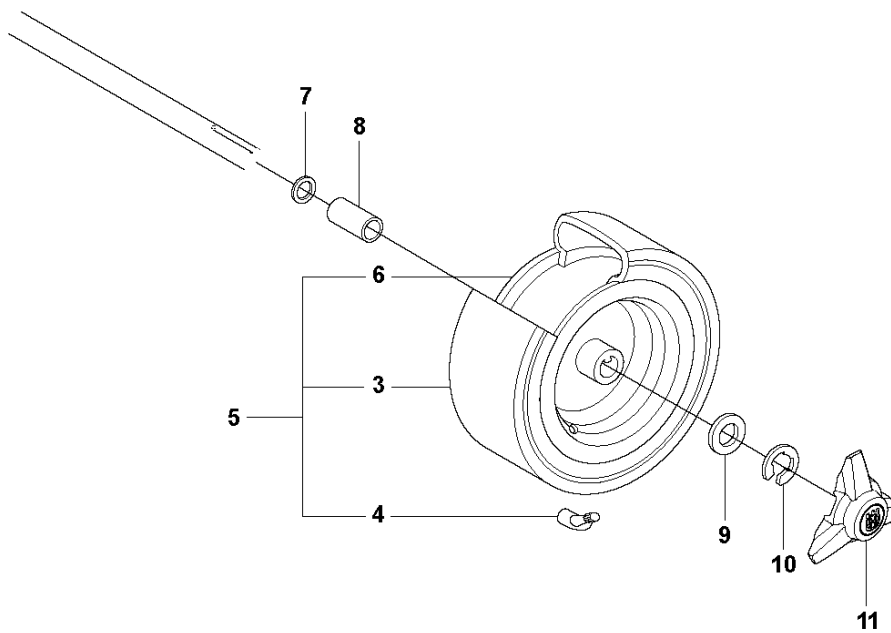
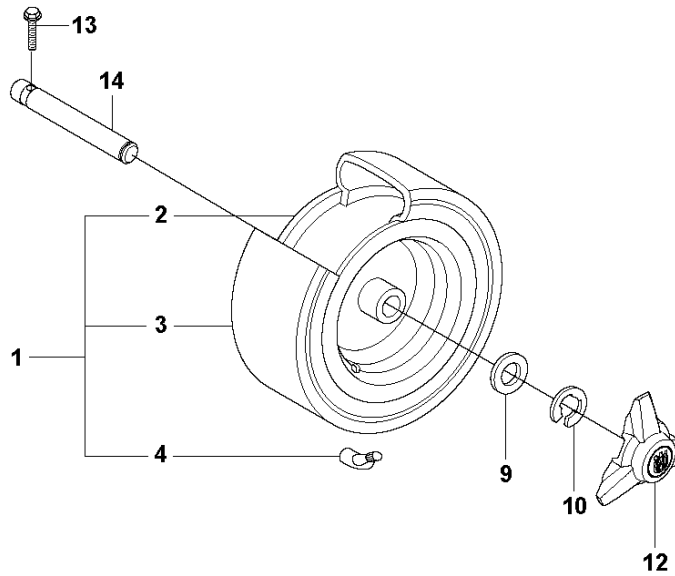
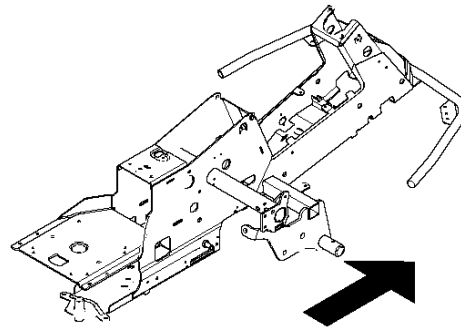


TRANSMISSION  
2015

R220T, 966785701, 967032001, 967150901,

Ref	Part No	Description	Remark	QTY KIT
1	506 98 63-01	TRANSMISSION		1
2	506 98 65-01	SPRING WASHER		1
3	506 98 66-01	DISTANCE		2
4	502 45 19-01	PULLEY		1
5	506 98 68-01	FAN		1
6	735 31 15-00	CIRCLIP		1
7	502 45 16-01	TUBE		1
8	506 98 70-01	HOSE CLAMP		2
9	535 40 28-07	CLIP		1
10	535 40 28-32	PLUG		1
11	535 40 28-29	MAGNET		1
12	502 45 20-01	MAGNET HOLDER		1
13	535 40 28-37	SEALING		2
14	502 45 32-01	CONTROL LEVER		1
15	535 40 28-09	PIN RETAINING SCREW		1
16	535 40 28-17	LEVER		1
17	535 40 28-16	PIN RETAINING SCREW		1
18	535 40 28-33	PIN RETAINING SCREW		1
19	535 40 28-38	LEVER		1
20	535 40 28-39	RETURN SPRING		1
21	535 40 28-40	PIN RETAINING SCREW		1
22	535 40 28-41	PIN RETAINING SCREW		1

**Q** R220T  
WHEELS & TIRES



WHEELS & TIRES  
2015

R220T, 966785701, 967032001, 967150901,

Ref	Part No	Description	Remark	QTY KIT
1	523 01 22-02	WHEEL		2
2	523 03 45-01	RIM		1
3	523 03 46-02	TYRE		1
4	523 03 47-01	VALVE		1
5	523 01 26-02	WHEEL		2
6	523 03 48-01	RIM		1
7	506 50 48-05	WASHER		4
8	506 59 62-03	SPACING SLEEVE		2
9	506 50 48-03	WASHER		2
10	506 89 90-01	E-CLIP		4
11	544 35 35-01	HUB CAP		2
12	544 35 35-02	HUB CAP		2
13	725 24 59-61	SCREW EHHFT		2
14	535 47 08-01	WHEEL AXLE		2