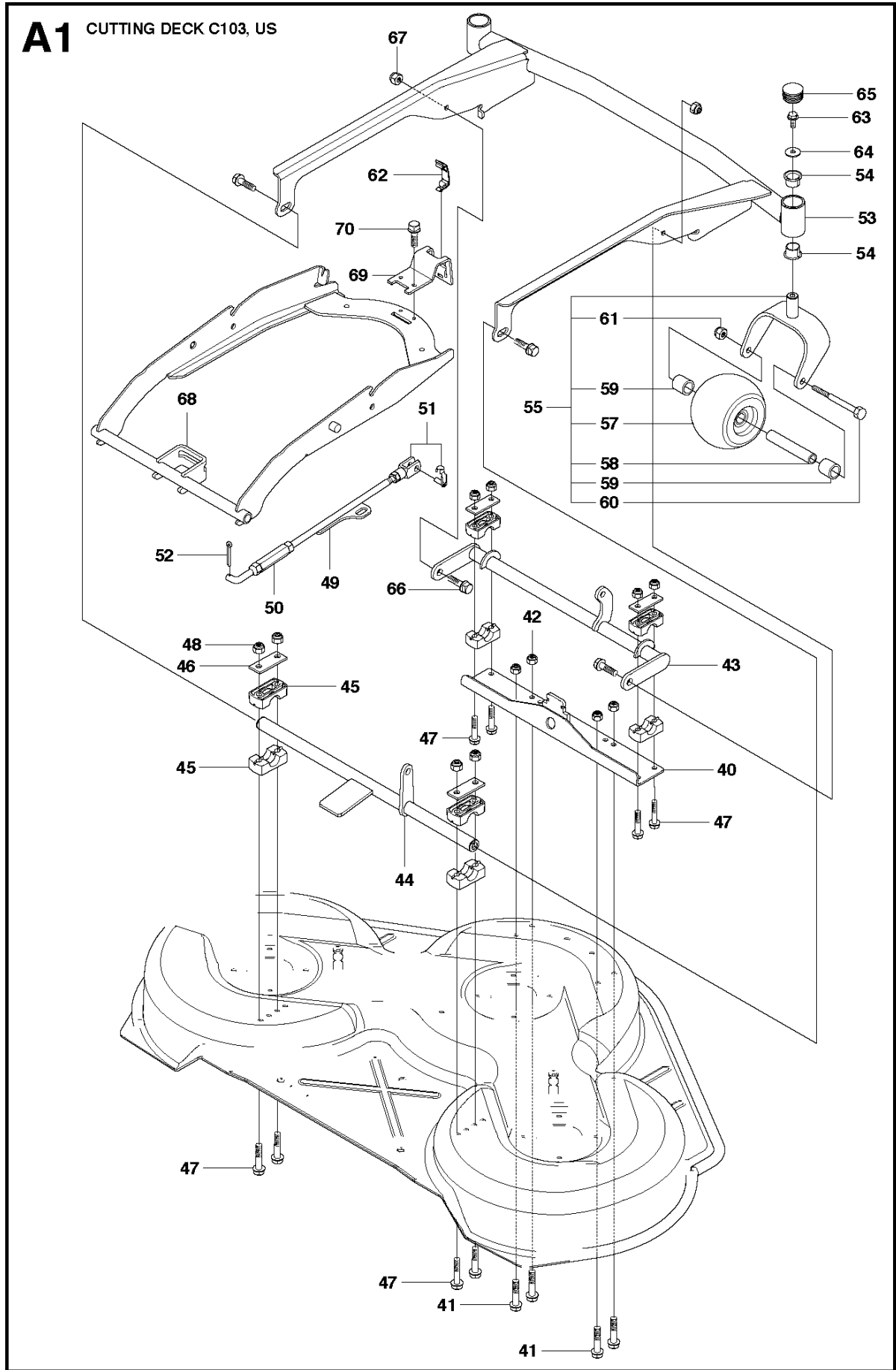




# SPARE PARTS LIST

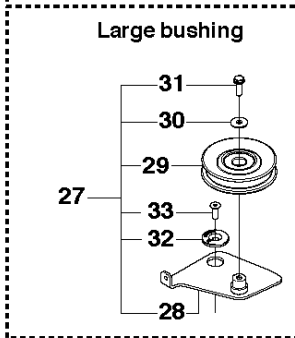
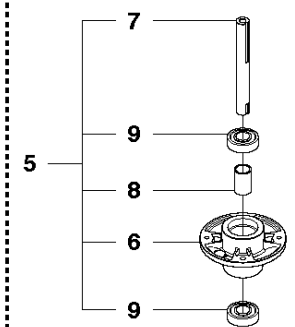
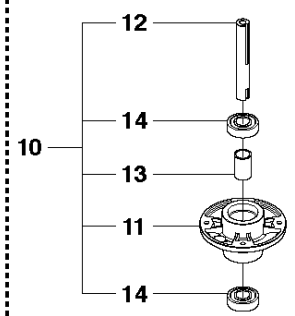
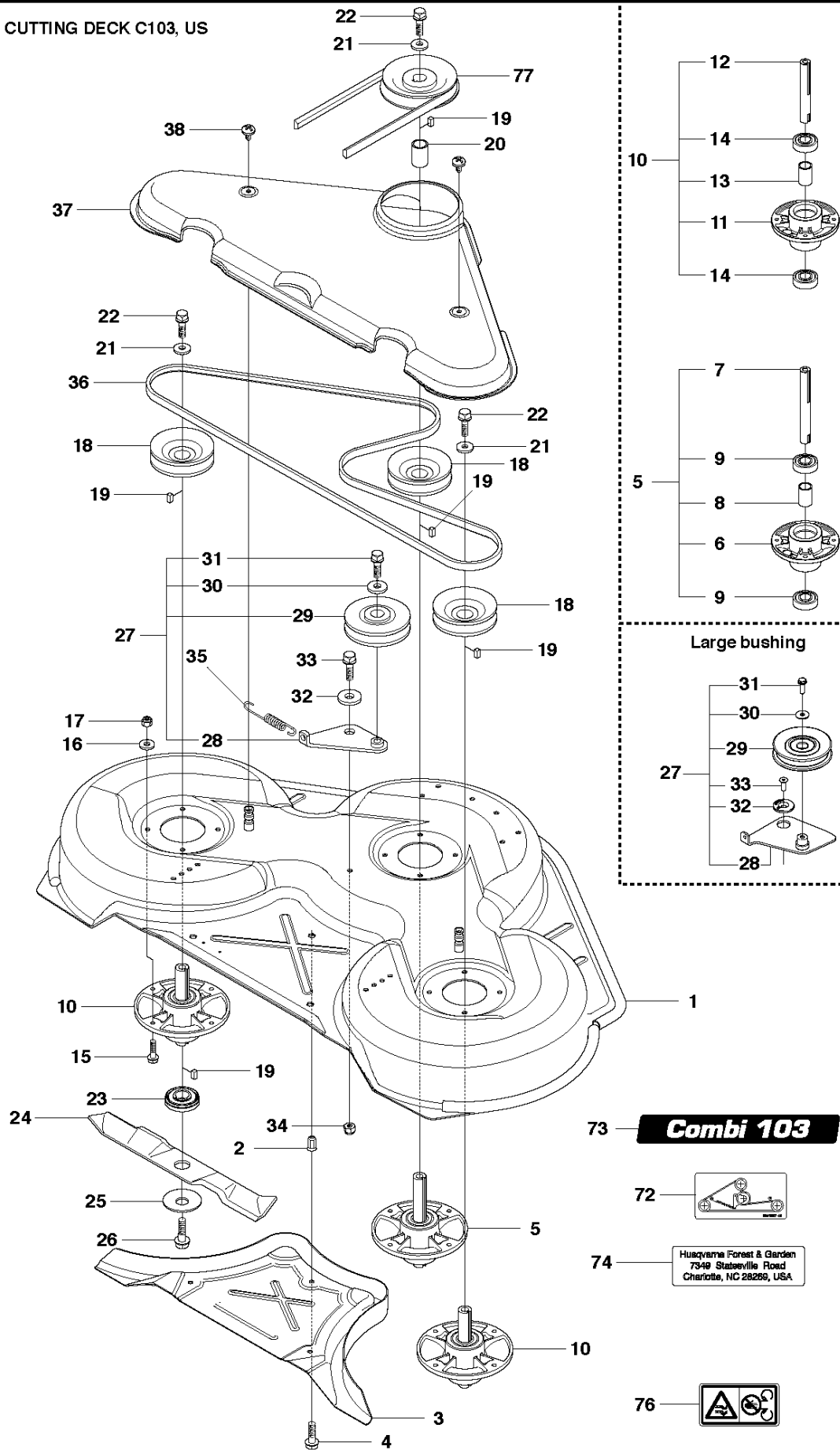
## RIDERS

R322T AWD, 966785801, 967032101,  
967153001, 2015

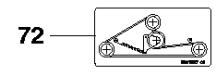


| Ref | Part No      | Description        | Remark | QTY KIT |
|-----|--------------|--------------------|--------|---------|
| 40  | 523 09 53-01 | BRACKET            |        | 1       |
| 41  | 725 24 51-71 | SCREW EHHM         |        | 5       |
| 42  | 732 21 18-01 | LOCK NUT           |        | 4       |
| 43  | 502 64 18-05 | CROSS BAR          |        | 1       |
| 44  | 523 09 45-03 | CROSS BAR          |        | 1       |
| 45  | 506 86 96-01 | BEARING            |        | 8       |
| 46  | 506 81 38-01 | REINFORCING PLATE  |        | 4       |
| 47  | 725 24 61-51 | SCREW EHHM         |        | 8       |
| 48  | 732 21 18-01 | LOCK NUT           |        | 8       |
| 49  | 523 11 42-01 | PARALLEL ROD ASSY  |        | 1       |
| 50  | 502 64 23-01 | PARALLEL ROD       |        | 1       |
| 51  | 506 83 98-02 | GAFFELLÄNK M10X1.5 |        | 1       |
| 52  | 721 61 83-01 | SPLIT PIN          |        | 1       |
| 53  | 523 08 65-03 | DECK FRAME         |        | 1       |
| 54  | 574 56 19-01 | BEARING            |        | 4       |
| 55  | 574 21 01-01 | PIVOT WHEEL ASSY   |        | 2       |
| 57  | 506 96 30-01 | WHEEL ASSY         |        | 1       |
| 58  | 506 81 08-02 | WHEEL AXLE TUBE    |        | 1       |
| 59  | 506 87 41-02 | SPACER             |        | 2       |
| 60  | 725 25 19-51 | SCREW EHHM         |        | 1       |
| 61  | 732 21 20-51 | NUT                |        | 1       |
| 62  | 503 89 47-03 | SNAP               |        | 1       |
| 63  | 506 57 01-04 | SCREW EHHFM        |        | 2       |
| 64  | 734 11 64-41 | WASHER             |        | 2       |
| 65  | 574 03 48-01 | PLUG               |        | 2       |
| 66  | 506 59 74-01 | SCREW EHHFM        |        | 4       |
| 67  | 732 21 18-01 | LOCK NUT           |        | 2       |
| 68  | 523 08 75-01 | DECK ATTACHMENT    |        | 1       |
| 69  | 523 11 46-01 | LOCK               |        | 1       |
| 70  | 725 23 68-61 | SCREW EHHFT        |        | 2       |

**A2** CUTTING DECK C103, US



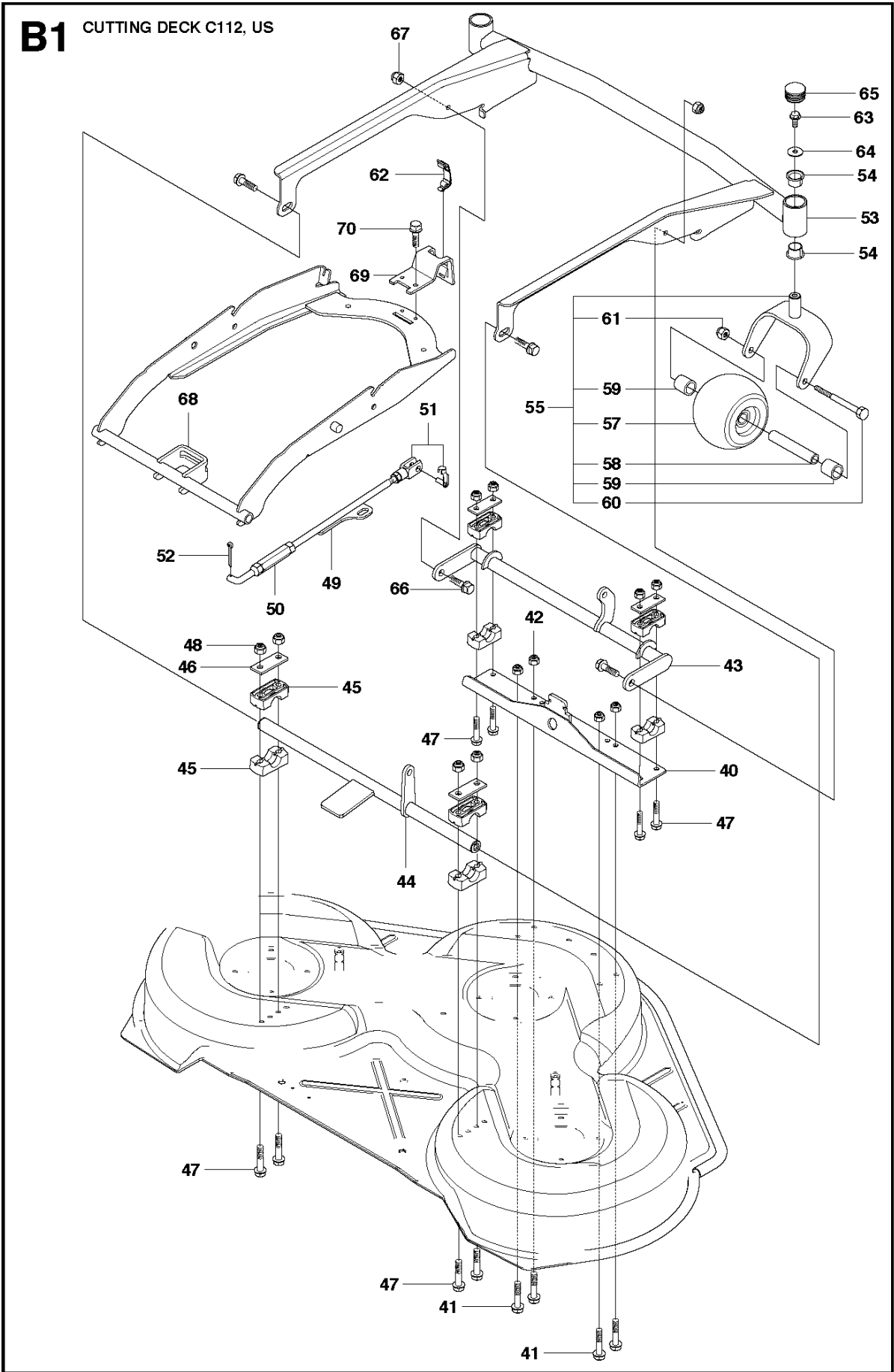
73 **Combi 103**



74 Husqvarna Forest & Garden  
7349 Statesville Road  
Charlotte, NC 28269, USA

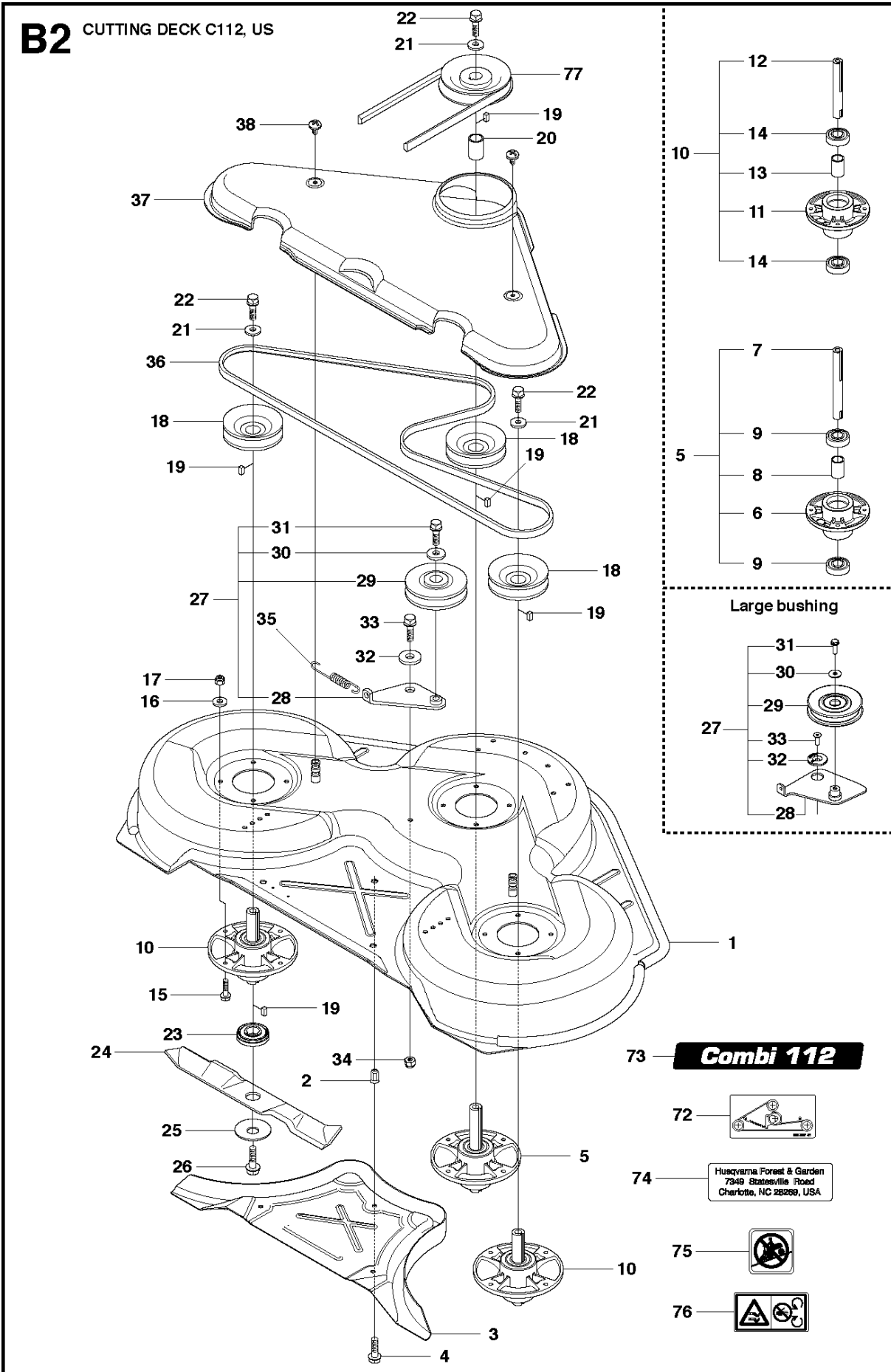


| Ref | Part No      | Description         | Remark        | QTY | KIT |
|-----|--------------|---------------------|---------------|-----|-----|
| 1   | 574 21 08-01 | CUTTING DECK        |               | 1   |     |
| 2   | 506 91 62-01 | BLIND RIVET NUT     |               | 3   |     |
| 3   | 544 44 92-01 | PLUG                |               | 1   |     |
| 4   | 506 57 01-04 | SCREW EHHFM         |               | 3   |     |
| 5   | 576 38 41-01 | BLADE HOUSING ASSY  |               | 1   |     |
| 6   | 576 38 42-01 | BEARING HOUSING     |               | 1   |     |
| 7   | 576 38 43-01 | SHAFT               |               | 1   |     |
| 8   | 576 38 44-01 | SPACING SLEEVE      |               | 1   |     |
| 9   | 738 23 04-34 | BALL BEARING        |               | 2   |     |
| 10  | 576 38 41-02 | BLADE HOUSING ASSY  |               | 2   |     |
| 11  | 576 38 42-01 | BEARING HOUSING     |               | 1   |     |
| 12  | 576 38 43-02 | SHAFT               |               | 1   |     |
| 13  | 576 38 44-01 | SPACING SLEEVE      |               | 1   |     |
| 14  | 738 23 04-34 | BALL BEARING        |               | 2   |     |
| 15  | 535 42 38-01 | SCREW RSQM          |               | 12  |     |
| 16  | 734 11 64-01 | WASHER              |               | 14  |     |
| 17  | 732 21 18-01 | LOCK NUT            |               | 12  |     |
| 18  | 506 92 21-01 | PULLEY              |               | 3   |     |
| 19  | 506 53 35-01 | PARALLEL KEY        |               | 7   |     |
| 20  | 544 06 80-02 | SPACING SLEEVE      |               | 1   |     |
| 21  | 734 11 74-41 | WASHER              |               | 3   |     |
| 22  | 544 11 41-01 | SCREW EHHM          |               | 3   |     |
| 23  | 535 50 42-02 | BLADE BRACKET       |               | 3   |     |
| 24  | 504 18 82-01 | RIDE ON BLADE       |               | 3   |     |
| 25  | 506 79 23-01 | KNIFE PLATE         |               | 3   |     |
| 26  | 544 11 41-01 | SCREW EHHM          |               | 3   |     |
| 27  | 506 54 07-01 | BELT TENSIONER ASSY | Small bushing | 1   |     |
| 27  | 586 96 66-01 | BELT TENSIONER ASSY | Large bushing | 1   |     |
| 28  | 506 51 95-01 | SPÄNNARM KPL.       | Small bushing | 1   | 27  |
| 28  | 585 35 99-01 | ARM                 | Large bushing | 1   | 27  |
| 29  | 506 53 27-01 | PULLEY              |               | 1   | 27  |
| 30  | 734 11 64-41 | WASHER              |               | 1   |     |
| 31  | 506 55 83-02 | SCREW EHHFT         | Small bushing | 1   | 27  |
| 31  | 586 32 04-01 | SCREW               | Large bushing | 1   | 27  |
| 32  | 506 91 87-02 | WASHER              | Small bushing | 1   |     |
| 32  | 586 49 67-01 | WASHER              | Large bushing | 1   |     |
| 33  | 725 24 51-71 | SCREW EHHM          | Small bushing | 1   |     |
| 33  | 725 64 53-01 | SCREW IHCSFM        | Large bushing | 1   |     |
| 34  | 732 21 18-01 | LOCK NUT            |               | 1   |     |
| 35  | 506 53 31-01 | SPRING              |               | 1   |     |
| 36  | 506 76 85-01 | BELT                |               | 1   |     |
| 37  | 544 09 61-01 | BELT COVER          |               | 1   |     |
| 38  | 544 40 05-01 | SCREW               |               | 2   |     |
| 72  | 506 78 97-01 | LABEL               |               | 1   |     |
| 73  | 544 23 81-03 | LABEL               |               | 2   |     |
| 74  | 506 98 39-01 | DECAL               |               | 1   |     |
| 76  | 574 51 00-01 | DECAL               |               | 2   |     |
| 77  | 506 77 86-01 | PULLEY              |               | 1   |     |



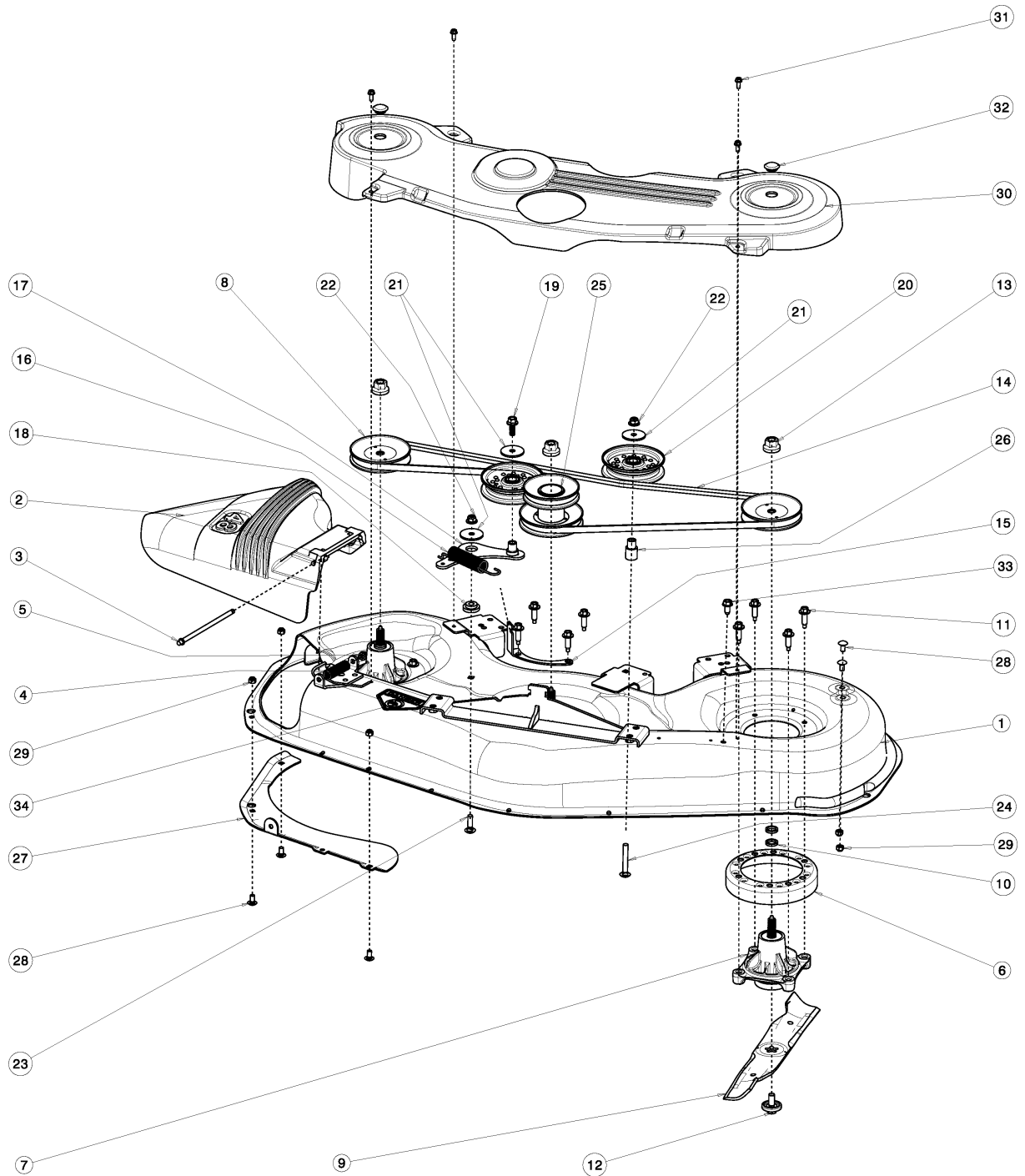
| Ref | Part No      | Description        | Remark | QTY KIT |
|-----|--------------|--------------------|--------|---------|
| 40  | 523 09 53-01 | BRACKET            |        | 1       |
| 41  | 725 24 51-71 | SCREW EHHM         |        | 4       |
| 42  | 732 21 18-01 | LOCK NUT           |        | 4       |
| 43  | 502 64 18-05 | CROSS BAR          |        | 1       |
| 44  | 523 09 45-03 | CROSS BAR          |        | 1       |
| 45  | 506 86 96-01 | BEARING            |        | 8       |
| 46  | 506 81 38-01 | REINFORCING PLATE  |        | 4       |
| 47  | 725 24 61-51 | SCREW EHHM         |        | 8       |
| 48  | 732 21 18-01 | LOCK NUT           |        | 8       |
| 49  | 523 11 42-01 | PARALLEL ROD ASSY  |        | 1       |
| 50  | 502 64 23-01 | PARALLEL ROD       |        | 1       |
| 51  | 506 83 98-02 | GAFFELLÄNK M10X1.5 |        | 1       |
| 52  | 721 61 83-01 | SPLIT PIN          |        | 1       |
| 53  | 523 08 65-03 | DECK FRAME         |        | 1       |
| 54  | 574 56 19-01 | BEARING            |        | 4       |
| 55  | 574 21 01-01 | PIVOT WHEEL ASSY   |        | 2       |
| 57  | 506 96 30-01 | WHEEL ASSY         |        | 1       |
| 58  | 506 81 08-02 | WHEEL AXLE TUBE    |        | 1       |
| 59  | 506 87 41-02 | SPACER             |        | 2       |
| 60  | 725 25 19-51 | SCREW EHHM         |        | 1       |
| 61  | 732 21 20-51 | NUT                |        | 1       |
| 62  | 503 89 47-03 | SNAP               |        | 1       |
| 63  | 506 57 01-04 | SCREW EHHFM        |        | 2       |
| 64  | 734 11 64-41 | WASHER             |        | 2       |
| 65  | 574 03 48-01 | PLUG               |        | 2       |
| 66  | 506 59 74-01 | SCREW EHHFM        |        | 4       |
| 67  | 732 21 18-01 | LOCK NUT           |        | 2       |
| 68  | 523 08 75-01 | DECK ATTACHMENT    |        | 1       |
| 69  | 523 11 46-01 | LOCK               |        | 1       |
| 70  | 725 23 68-61 | SCREW EHHFT        |        | 2       |

# B2 CUTTING DECK C112, US

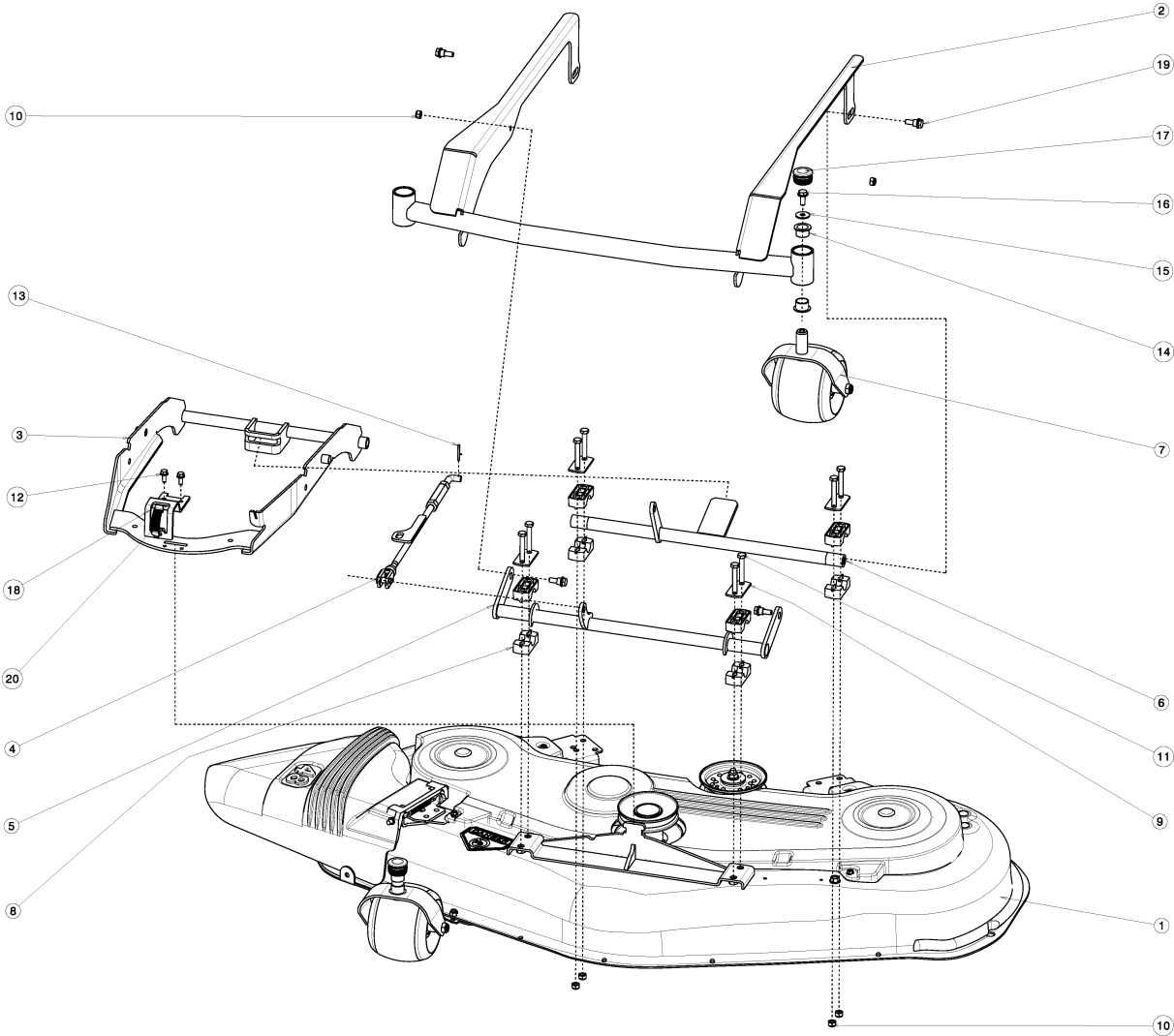




| Ref | Part No      | Description         | Remark        | QTY | KIT |
|-----|--------------|---------------------|---------------|-----|-----|
| 1   | 574 20 95-01 | CUTTING DECK        |               | 1   |     |
| 2   | 506 91 62-01 | BLIND RIVET NUT     |               | 3   |     |
| 3   | 544 44 93-01 | PLUG                |               | 1   |     |
| 4   | 506 57 01-04 | SCREW EHHFM         |               | 3   |     |
| 5   | 576 38 41-01 | BLADE HOUSING ASSY  |               | 1   |     |
| 6   | 576 38 42-01 | BEARING HOUSING     |               | 1   |     |
| 7   | 576 38 43-01 | SHAFT               |               | 1   |     |
| 8   | 576 38 44-01 | SPACING SLEEVE      |               | 1   |     |
| 9   | 738 23 04-34 | BALL BEARING        |               | 2   |     |
| 10  | 576 38 41-02 | BLADE HOUSING ASSY  |               | 2   |     |
| 11  | 576 38 42-01 | BEARING HOUSING     |               | 1   |     |
| 12  | 576 38 43-02 | SHAFT               |               | 1   |     |
| 13  | 576 38 44-01 | SPACING SLEEVE      |               | 1   |     |
| 14  | 738 23 04-34 | BALL BEARING        |               | 2   |     |
| 15  | 535 42 38-01 | SCREW RSQM          |               | 12  |     |
| 16  | 734 11 64-01 | WASHER              |               | 12  |     |
| 17  | 732 21 18-01 | LOCK NUT            |               | 12  |     |
| 18  | 506 92 21-01 | PULLEY              |               | 3   |     |
| 19  | 506 53 35-01 | PARALLEL KEY        |               | 7   |     |
| 20  | 544 06 80-02 | SPACING SLEEVE      |               | 1   |     |
| 21  | 734 11 74-41 | WASHER              |               | 3   |     |
| 22  | 544 11 41-01 | SCREW EHHM          |               | 3   |     |
| 23  | 535 50 42-02 | BLADE BRACKET       |               | 3   |     |
| 24  | 504 18 81-01 | RIDE ON BLADE       |               | 3   |     |
| 25  | 506 79 23-01 | KNIFE PLATE         |               | 3   |     |
| 26  | 544 11 41-01 | SCREW EHHM          |               | 3   |     |
| 27  | 506 54 07-01 | BELT TENSIONER ASSY | Small bushing | 1   |     |
| 27  | 586 96 66-01 | BELT TENSIONER ASSY | Large bushing | 1   |     |
| 28  | 506 51 95-01 | SPÄNNARM KPL.       | Small bushing | 1   | 27  |
| 28  | 585 35 99-01 | ARM                 | Large bushing | 1   | 27  |
| 29  | 506 53 27-01 | PULLEY              |               | 1   | 27  |
| 30  | 734 11 64-41 | WASHER              |               | 1   | 27  |
| 31  | 506 55 83-02 | SCREW EHHFT         | Small bushing | 1   | 27  |
| 31  | 586 32 04-01 | SCREW               | Large bushing | 1   | 27  |
| 32  | 506 91 87-02 | WASHER              | Small bushing | 1   |     |
| 32  | 586 49 67-01 | WASHER              | Large bushing | 1   |     |
| 33  | 725 24 51-71 | SCREW EHHM          | Small bushing | 1   |     |
| 33  | 725 64 53-01 | SCREW IHCSFM        | Large bushing | 1   |     |
| 34  | 732 21 18-01 | LOCK NUT            |               | 1   |     |
| 35  | 506 53 31-01 | SPRING              |               | 1   |     |
| 36  | 535 41 19-01 | BELT                |               | 1   |     |
| 37  | 544 09 62-01 | BELT COVER          |               | 1   |     |
| 38  | 544 40 05-01 | SCREW               |               | 2   |     |
| 72  | 506 78 97-01 | LABEL               |               | 1   |     |
| 73  | 544 23 81-05 | LABEL               |               | 2   |     |
| 74  | 506 98 39-01 | DECAL               |               | 1   |     |
| 75  | 535 43 74-01 | LABEL WARNING       |               | 1   |     |
| 76  | 574 51 00-01 | DECAL               |               | 2   |     |
| 77  | 506 77 86-01 | PULLEY              |               | 1   |     |

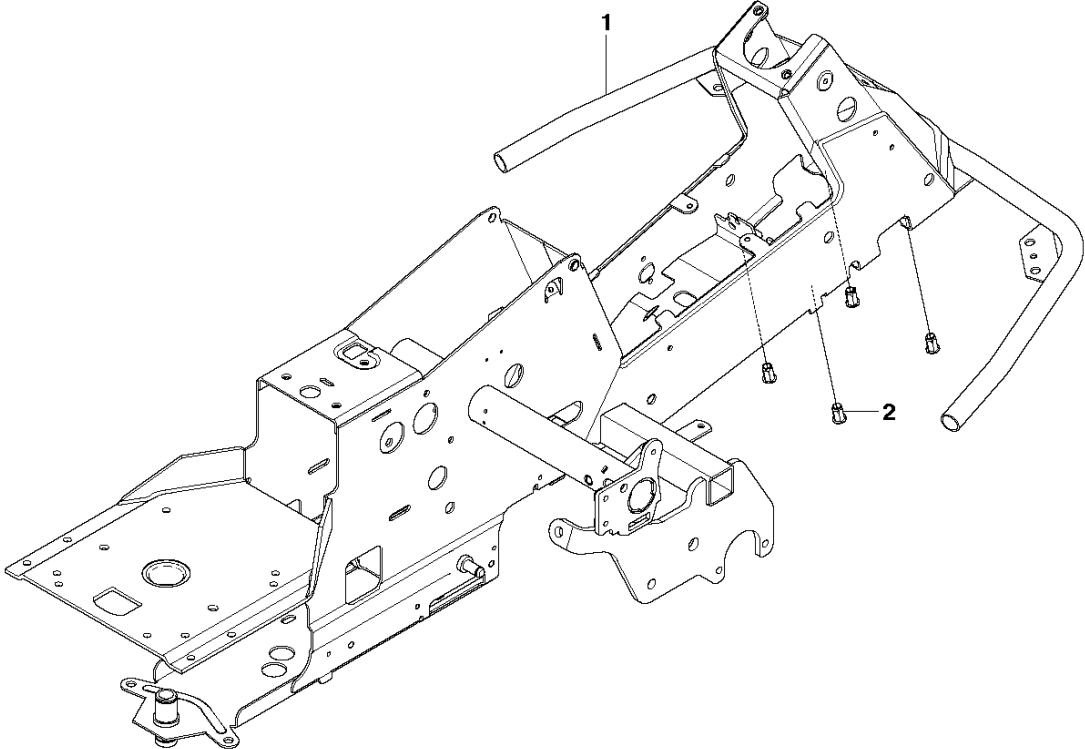


| Ref | Part No      | Description             | Remark | QTY KIT |
|-----|--------------|-------------------------|--------|---------|
| 1   | 578 97 73-01 | CUTTING DECK            |        | 1       |
| 2   | 532 18 06-55 | SHIELD DEFLECTOR        |        | 1       |
| 3   | 532 13 14-91 | SHAFT                   |        | 1       |
| 4   | 532 17 81-02 | SPRING                  |        | 1       |
| 5   | 532 11 04-52 | NUT                     |        | 2       |
| 6   | 532 17 44-93 | STRIPPER. MANDREL.BLACK |        | 2       |
| 7   | 532 17 43-56 | MANDREL ASSY            |        | 2       |
| 8   | 532 17 34-35 | POULIE DE MANDRIN       |        | 2       |
| 9   | 532 18 00-54 | RIDE ON BLADE           |        | 3       |
| 10  | 532 18 76-90 | WASHER                  |        | 1       |
| 11  | 532 17 39-84 | SCREW                   |        | 1       |
| 12  | 532 19 30-03 | SCREW                   |        | 8       |
| 13  | 532 40 02-34 | NUT                     |        | 1       |
| 14  | 532 18 02-13 | BELT                    |        | 1       |
| 15  | 578 93 55-01 | BRACKET                 |        | 2       |
| 16  | 579 44 46-01 | SPRING                  |        | 2       |
| 17  | 578 41 53-01 | ARM                     |        | 1       |
| 18  | 578 41 55-01 | BUSHING                 |        | 1       |
| 19  | 525 61 28-01 | HHFS                    |        | 1       |
| 20  | 539 97 66-88 | PULLEY                  |        | 1       |
| 21  | 539 11 18-97 | WASHER, 3/8, SPEC       |        | 1       |
| 22  | 521 99 65-01 | NUT                     |        | 1       |
| 23  | 72140610     | BOLZEN WEX13TCRDB       |        | 2       |
| 24  | 72140620     | SCREW                   |        | 2       |
| 25  | 578 43 10-01 | PULLEY ASSY             |        | 1       |
| 26  | 579 40 59-01 | BUSHING                 |        | 1       |
| 27  | 532 17 43-78 | BAFFLE                  |        | 2       |
| 28  | 72110505     | BOLT                    |        | 3       |
| 29  | 73800500     | NUT                     |        | 1       |
| 30  | 579 29 70-01 | SHIELD                  |        | 1       |
| 31  | 532 13 77-29 | SCREW                   |        | 1       |
| 32  | 579 47 08-01 | PLUG                    |        | 1       |
| 33  | 17000612     | SCREW                   |        | 7       |
| 34  | 539 91 30-10 | DECAL                   |        | 7       |



| Ref | Part No      | Description       | Remark | QTY KIT |
|-----|--------------|-------------------|--------|---------|
| 1   | 579 04 88-01 | DECK SHELL ASSY   |        | 1       |
| 2   | 578 42 59-01 | DECK FRAME        |        | 1       |
| 3   | 523 08 75-01 | DECK ATTACHMENT   |        | 1       |
| 4   | 523 11 42-02 | PARALLEL ROD ASSY |        | 1       |
| 5   | 580 25 31-01 | CROSS BAR         |        | 1       |
| 6   | 580 25 32-01 | CROSS BAR         |        | 1       |
| 7   | 574 21 01-01 | PIVOT WHEEL ASSY  |        | 1       |
| 8   | 506 86 96-01 | BEARING           |        | 1       |
| 9   | 506 81 38-01 | REINFORCING PLATE |        | 1       |
| 10  | 732 21 18-01 | LOCK NUT          |        | 1       |
| 11  | 725 24 61-51 | SCREW EHHM        |        | 1       |
| 12  | 725 23 68-61 | SCREW EHHFT       |        | 1       |
| 13  | 721 61 83-01 | SPLIT PIN         |        | 1       |
| 14  | 578 97 59-01 | BEARING           |        | 1       |
| 15  | 734 11 64-41 | WASHER            |        | 1       |
| 16  | 506 57 01-04 | SCREW EHHFM       |        | 1       |
| 17  | 574 03 48-01 | PLUG              |        | 1       |
| 18  | 523 11 46-01 | LOCK              |        | 1       |
| 19  | 506 59 74-01 | SCREW EHHFM       |        | 1       |
| 20  | 503 89 47-03 | SNAP              |        | 1       |

**F** R322T AWD  
CHASSIS

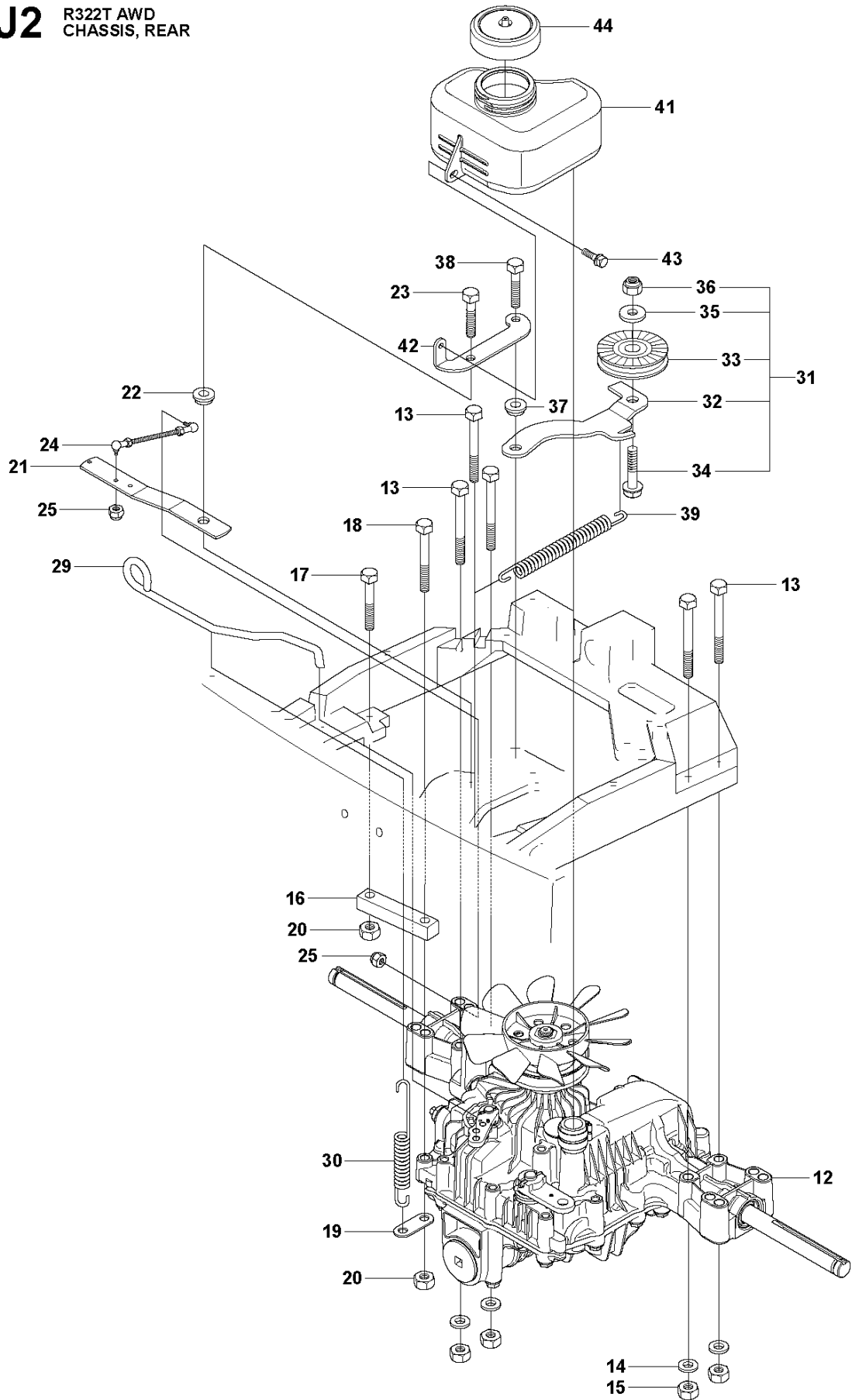


CHASSIS / FRAME

R322T AWD, 966785801, 967032101, 967153001, 2015

| Ref | Part No      | Description     | Remark | QTY KIT |
|-----|--------------|-----------------|--------|---------|
| 1   | 577 93 91-01 | CHASSIS         |        | 1       |
| 2   | 506 91 62-01 | BLIND RIVET NUT |        | 4       |

**J2** R322T AWD  
CHASSIS, REAR



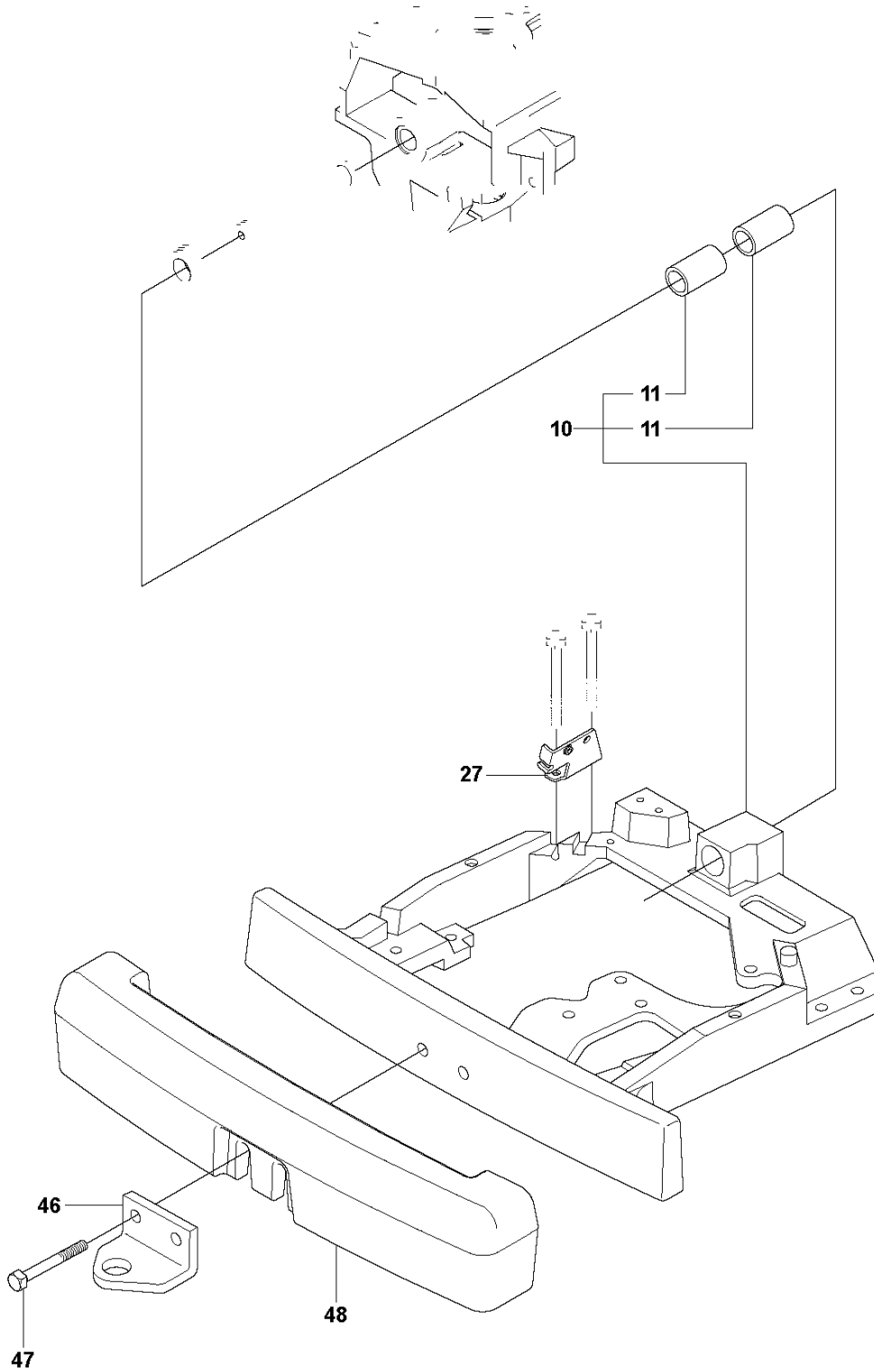


## CHASSIS LOWER

R322T AWD, 966785801, 967032101, 967153001, 2015

| Ref | Part No      | Description          | Remark | QTY KIT |
|-----|--------------|----------------------|--------|---------|
| 12  | 544 11 61-01 | TRANSMISSION         |        | 1       |
| 13  | 725 24 67-51 | SCREW EHHM           |        | 5       |
| 14  | 734 11 64-01 | WASHER               |        | 4       |
| 15  | 731 23 18-01 | HEXAGON NUT          |        | 4       |
| 16  | 506 98 72-01 | MOMENTFÄSTE          |        | 1       |
| 17  | 725 24 59-51 | SCREW EHHM           |        | 1       |
| 18  | 725 24 62-51 | SCREW EHHM           |        | 1       |
| 19  | 506 59 93-01 | LINK                 |        | 1       |
| 20  | 731 23 18-01 | HEXAGON NUT          |        | 2       |
| 21  | 506 98 74-03 | LEVER                |        | 1       |
| 22  | 506 91 87-02 | WASHER               |        | 1       |
| 23  | 725 24 51-71 | SCREW EHHM           |        | 1       |
| 24  | 506 98 75-01 | ADJUSTMENT ROD       |        | 1       |
| 25  | 732 21 14-01 | LOCK NUT             |        | 2       |
| 29  | 506 98 82-01 | FRIKOPPLINGSSTÅNG    |        | 1       |
| 30  | 506 83 43-01 | SPRING               |        | 1       |
| 31  | 506 98 84-01 | BELT TENSIONER ASSY  |        | 1       |
| 32  | 506 98 85-01 | BELT TENSIONER       |        | 1       |
| 33  | 506 94 69-01 | BELT TENS WHEEL ASSY |        | 1       |
| 34  | 725 24 55-51 | SCREW                |        | 1       |
| 35  | 734 11 64-41 | WASHER               |        | 1       |
| 36  | 732 21 18-01 | LOCK NUT             |        | 1       |
| 37  | 506 91 87-02 | WASHER               |        | 1       |
| 38  | 725 24 51-71 | SCREW EHHM           |        | 1       |
| 39  | 506 98 86-01 | SPRING               |        | 1       |
| 41  | 544 10 01-01 | EXPANSION TANK       |        | 1       |
| 42  | 544 12 17-01 | BRACKET              |        | 1       |
| 43  | 725 23 64-61 | SCREW EHHFT          |        | 1       |
| 44  | 506 67 33-01 | TANK CAP ASSY        |        | 1       |

**J1** R322T AWD  
CHASSIS, REAR

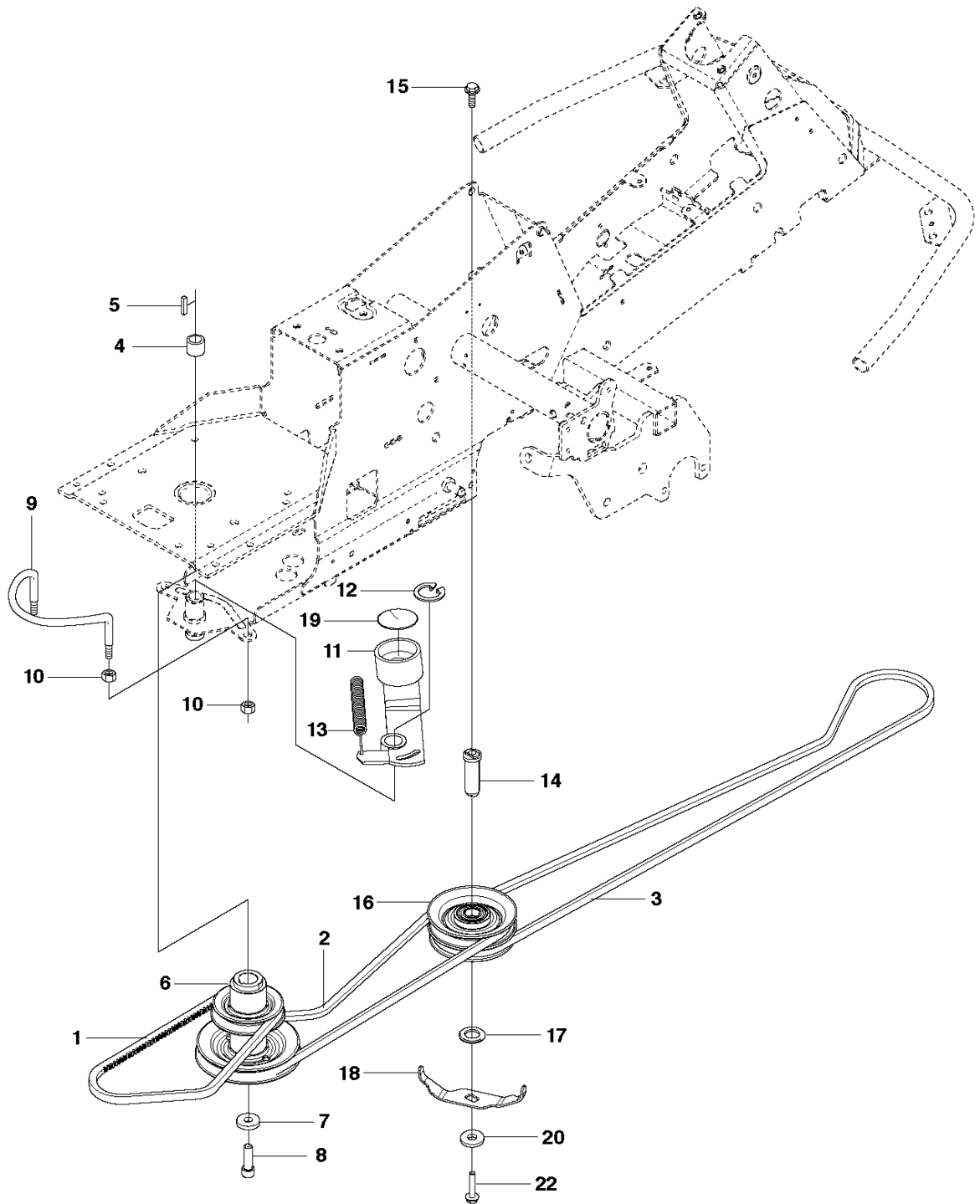


## CHASSIS UPPER

R322T AWD, 966785801, 967032101, 967153001, 2015

| Ref | Part No      | Description   | Remark | QTY KIT |
|-----|--------------|---------------|--------|---------|
| 10  | 535 40 60-01 | BRACKET       |        | 1       |
| 11  | 506 98 61-02 | GLIDLAGER     |        | 2       |
| 27  | 544 26 21-01 | BRACKET       |        | 1       |
| 46  | 506 88 99-01 | HITCH         |        | 1       |
| 47  | 725 25 00-51 | SCREW EHHM    |        | 2       |
| 48  | 544 03 96-02 | COUNTERWEIGHT |        | 1       |

**G** R322T AWD  
TRANSMISSION

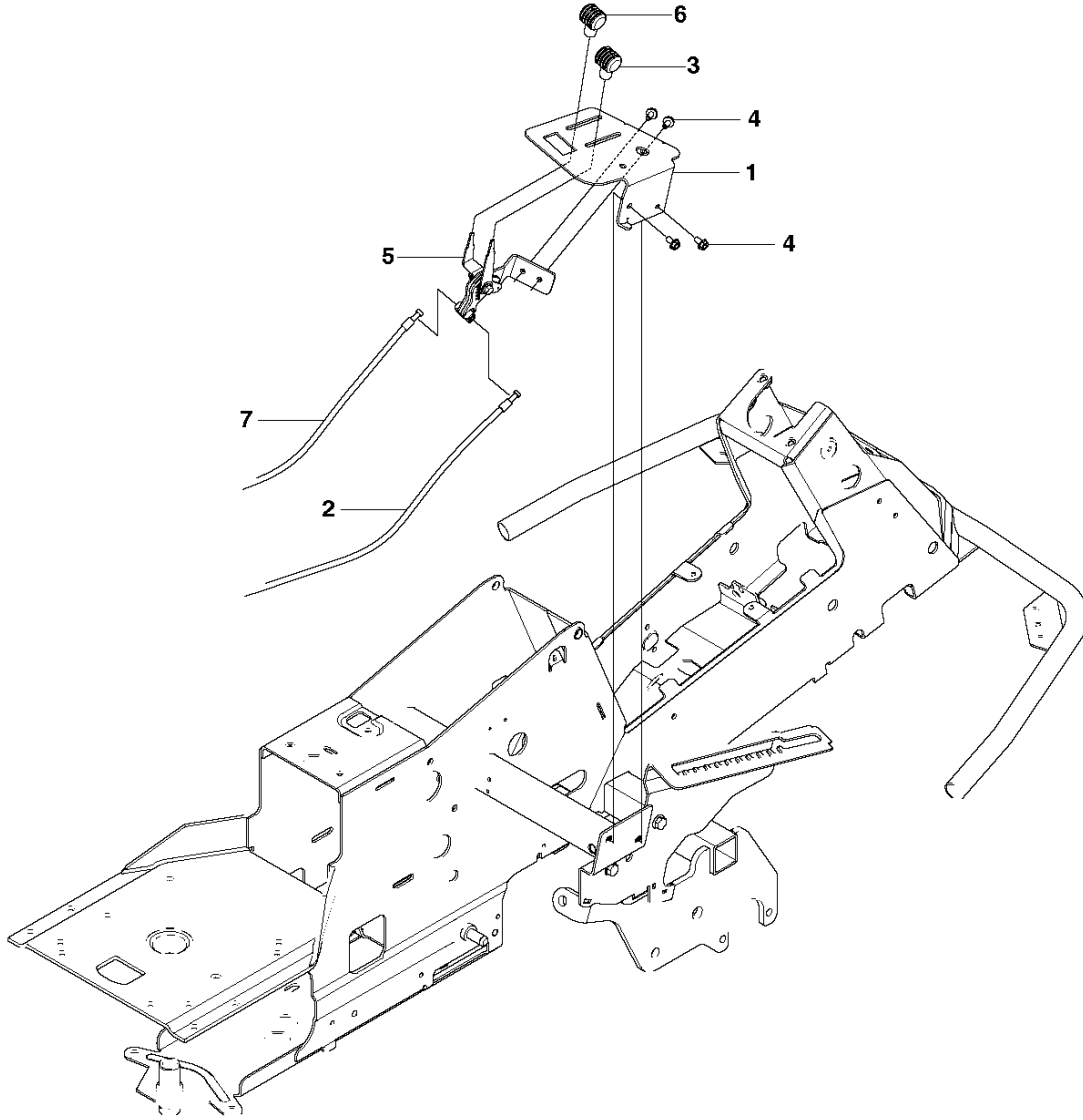


## CHASSIS, ENGINE &amp; PULLEYS

R322T AWD, 966785801, 967032101, 967153001, 2015

| Ref | Part No      | Description         | Remark | QTY KIT |
|-----|--------------|---------------------|--------|---------|
| 1   | 522 93 03-01 | BELT                |        | 1       |
| 2   | 544 40 02-01 | BELT                |        | 1       |
| 3   | 535 41 19-01 | BELT                |        | 1       |
| 4   | 506 50 92-01 | SPACING SLEEVE      |        | 1       |
| 5   | 506 55 59-01 | WEDGE               |        | 1       |
| 6   | 535 48 24-01 | PULLEY              |        | 1       |
| 7   | 506 59 75-01 | WASHER              |        | 1       |
| 8   | 506 55 60-02 | SCREW UNC           |        | 1       |
| 9   | 506 66 45-01 | BELT GUIDE          |        | 1       |
| 10  | 731 23 20-51 | HEXAGON NUT         |        | 4       |
| 11  | 535 48 44-01 | BELT TENSIONER ASSY |        | 1       |
| 12  | 735 31 26-00 | CIRCLIP             |        | 1       |
| 13  | 580 67 81-01 | SPRING              |        | 1       |
| 14  | 544 42 61-01 | SHAFT               |        | 1       |
| 15  | 506 67 54-02 | SCREW EHHFM         |        | 1       |
| 16  | 535 48 22-01 | MELLANHJUL          |        | 1       |
| 17  | 506 77 57-01 | WASHER              |        | 1       |
| 18  | 544 40 53-01 | BELT GUIDE          |        | 1       |
| 19  | 535 48 50-01 | SEALING             |        | 1       |
| 20  | 506 59 75-01 | WASHER              |        | 1       |
| 22  | 506 57 01-05 | SCREW EHHFM         |        | 1       |

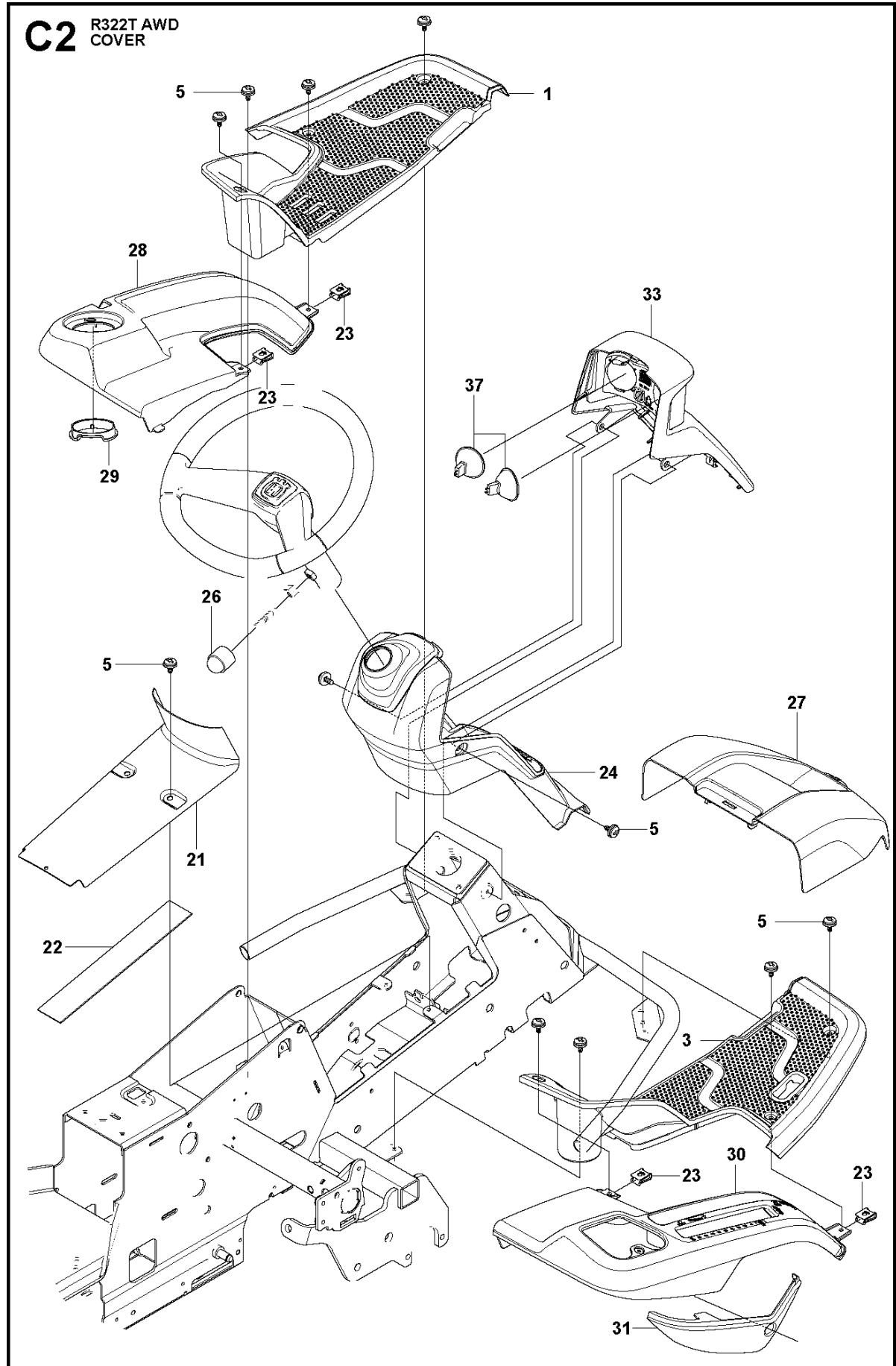
**N** R322T AWD  
CONTROLS



## CONTROLS

R322T AWD, 966785801, 967032101, 967153001, 2015

| Ref | Part No      | Description      | Remark      | QTY KIT |
|-----|--------------|------------------|-------------|---------|
| 1   | 578 03 31-01 | SUPPORT          |             | 1       |
| 2   | 544 30 17-06 | WIRE             | THROTTLE    | 1       |
| 3   | 506 88 91-01 | KNOB             |             | 1       |
| 4   | 535 47 52-12 | SCREW EHHFM      |             | 4       |
| 5   | 578 02 34-01 | THROTTLE CONTROL |             | 1       |
| 6   | 506 88 91-02 | KNOB             |             | 1       |
| 7   | 544 30 17-07 | WIRE             | CHOKE CABLE | 1       |

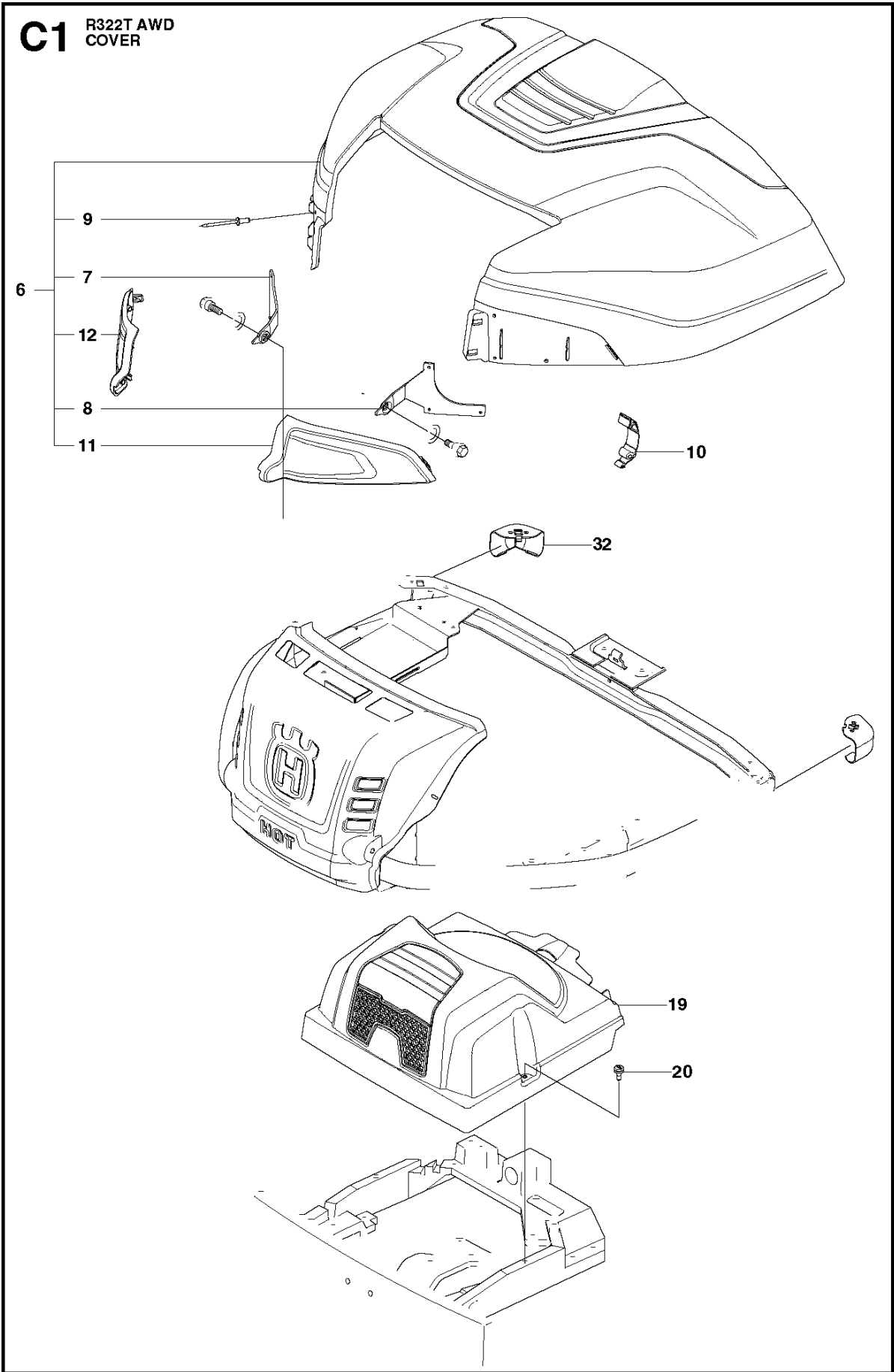




## COVER

R322T AWD, 966785801, 967032101, 967153001, 2015

| Ref | Part No      | Description      | Remark | QTY KIT |
|-----|--------------|------------------|--------|---------|
| 1   | 577 72 93-01 | FOOT PLATE       |        | 1       |
| 3   | 577 72 94-01 | FOOT PLATE       |        | 1       |
| 5   | 544 40 05-01 | SCREW            |        | 14      |
| 21  | 544 23 92-01 | COVER            |        | 1       |
| 22  | 544 42 75-01 | MAT              |        | 1       |
| 23  | 535 42 91-01 | SPRING NUT       |        | 4       |
| 24  | 577 70 41-01 | COVER            |        | 1       |
| 26  | 544 43 32-01 | PROTECTIVE COVER |        | 1       |
| 27  | 525 56 24-01 | UNIT COVER       |        | 1       |
| 28  | 577 72 95-01 | FENDER           |        | 1       |
| 29  | 577 76 45-01 | LOCKING NUT      |        | 1       |
| 30  | 577 72 96-01 | FENDER           |        | 1       |
| 31  | 577 73 75-01 | CONTROL COVER    |        | 1       |
| 33  | 577 70 04-01 | COVER            |        | 1       |
| 37  | 535 44 68-01 | LAMP             |        | 2       |



## COVER, REAR

R322T AWD, 966785801, 967032101, 967153001, 2015

| Ref | Part No      | Description        | Remark | QTY KIT |
|-----|--------------|--------------------|--------|---------|
| 6   | 577 61 47-03 | ENGINE HOOD ASSY   |        | 1       |
| 7   | 578 11 37-01 | HINGE              |        | 1       |
| 8   | 578 11 37-02 | HINGE              |        | 1       |
| 9   | 722 79 54-02 | RIVET              |        | 6       |
| 10  | 503 89 47-03 | SNAP               |        | 1       |
| 11  | 577 61 26-02 | COVER              |        | 1       |
| 12  | 577 61 26-01 | COVER              |        | 1       |
| 19  | 578 26 13-01 | TRANSMISSION COVER |        | 1       |
| 20  | 574 85 62-01 | SCREW              |        | 2       |
| 32  | 577 90 33-01 | PLUG               |        | 2       |

**S** R322T AWD  
DECALS

1

**STARTING INSTRUCTION**

- READ OPERATOR'S MANUAL.
- CHECK ENGINE OIL LEVEL.
- ENGAGE PARKING BRAKE AND LIFT CUTTER DECK TO TRANSPORT POSITION.
- IF ENGINE IS COLD, USE CH-ONE.
- START THE ENGINE.
- RELEASE PARKING BRAKE BEFORE DRIVING.

**INSTRUCTION DE DEMARRAGE**

- LIRE LE GUIDE DE CONDUITE.
- VÉRIFIER LE NIVEAU DE NIVEAU D'HUILE.
- SÉRIEZ LE PNEU DE PARKING ET METTRE LE CASSERET EN POSITION DE TRANSPORT.
- SI LE MOTEUR EST FROID, UTILISER LE STARTER CH-ONE.
- DÉBRAYEZ LE FREIN DE PARKING.

**AVOID SERIOUS INJURY OR DEATH.**

- DO NOT STAND UNDER BLADES, NOT AROUND ANY SPINNING TOOLS.
- ALWAYS STOP ON A LEVEL, STOP BLADE AND BACK DOWN.
- DO NOT MOVE WHEN CUTTER OR OTHER ARE RUNNING.
- NEVER CARRY CHILDREN EVER WITH BLADES UP.
- LOCK DOWN AND BRING BEFORE AND TIME BACKING.
- NEVER CUT OBJECTS (BRANCHES, STEEL, AND SPECIES)
- NEVER CUT OBJECTS THAT COULD BE THROWN BY THE BLADE.
- READ OPERATOR'S MANUAL.

**DANGER DE BLESSURES GRAVES OU MORTELLES.**

- JAMAIS TROUSSEZ UN PIED, SE DÉPLACER DANS LA LIGNE DE LA PENTE.
- ARRÊTEZ TOUJOURS SUR UN NIVEAU, ARRÊTEZ LES LAMES ET FAIRE DÉMONTÉ LES Outils EN ROTATION.
- NE PAS TOUCHER EN AMBASSADE D'OBJETS QU'ILS SONT EN COURSE.
- NE PAS PORTER D'ENFANTS EN AVEC LES LAMES.
- NE PAS COUPER DES OBJETS (BRANCHES, ACIER, LES ESPECES).
- NE PAS COUPER DES OBJETS QUI POURRAIENT ÊTRE PROJÉTÉS PAR LA LAME.
- LIRE LE MANUEL DU PROPRIÉTAIRE.

2  
Husqvarna

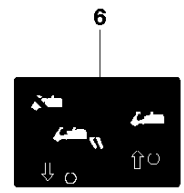
3  
R-322T AWD

4

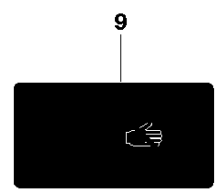
**READ OPERATOR'S MANUAL**

**PELLETALETTA**

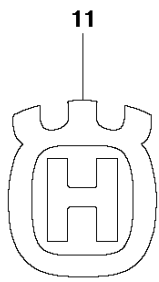
**ALL-terrain Safety Group**



7  
AWD



8  
Husqvarna Forest & Garden  
7346 Statesville Road  
Charlotte, NC 28226, USA

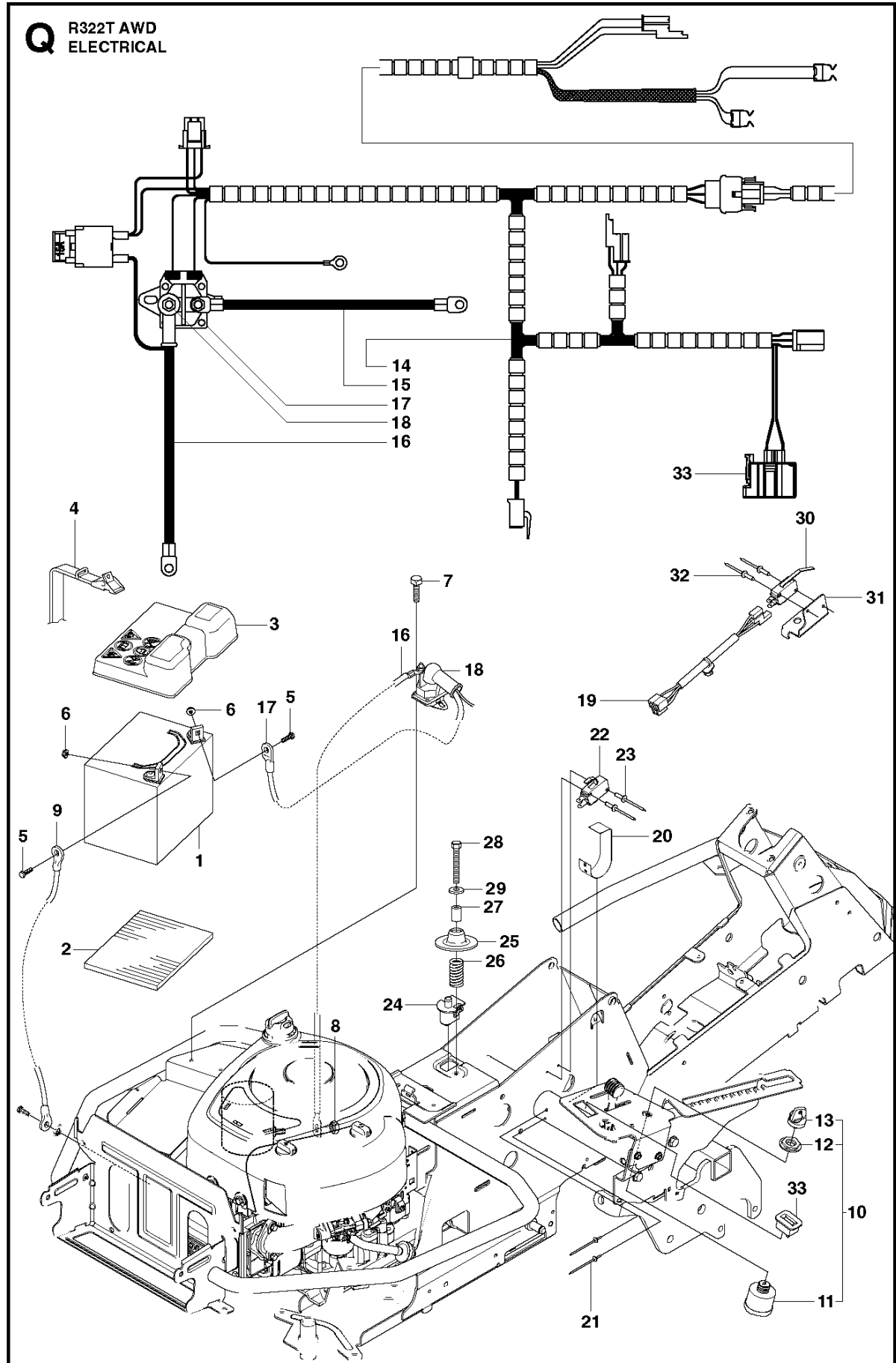


10

## DECALS

R322T AWD, 966785801, 967032101, 967153001, 2015

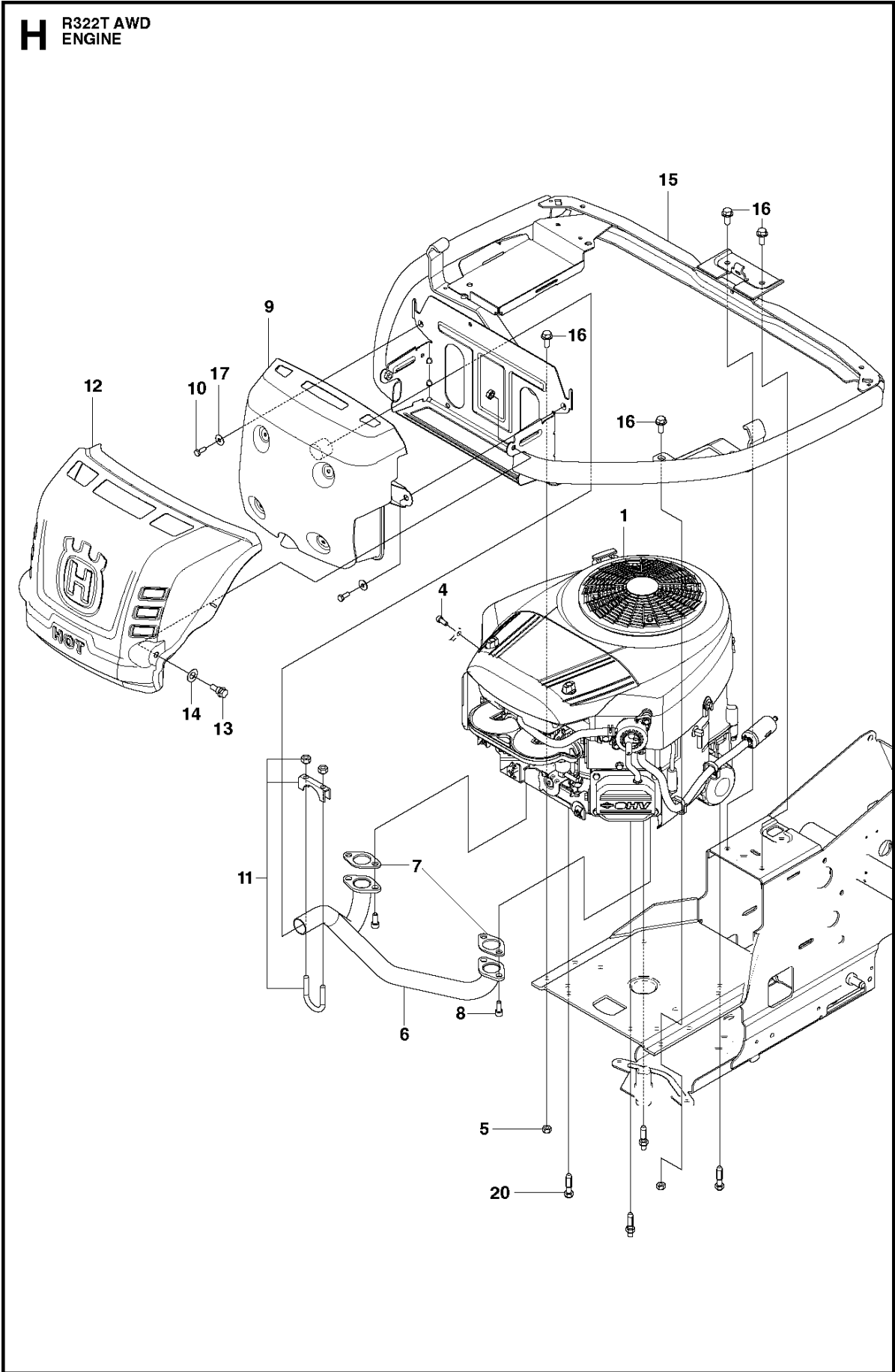
| Ref | Part No      | Description | Remark | QTY KIT |
|-----|--------------|-------------|--------|---------|
| 1   | 504 79 88-01 | LABEL       |        | 1       |
| 2   | 577 06 20-01 | DECAL       |        | 2       |
| 3   | 578 36 45-12 | DECAL       |        | 2       |
| 4   | 506 88 07-02 | DECAL       |        | 1       |
| 5   | 578 39 25-04 | DECAL       |        | 1       |
| 6   | 544 21 14-01 | LABEL       |        | 2       |
| 7   | 579 09 15-01 | DECAL       |        | 2       |
| 8   | 506 98 39-01 | DECAL       |        | 1       |
| 9   | 574 51 00-01 | DECAL       |        | 2       |
| 10  | 574 44 32-01 | LABEL       |        | 1       |
| 11  | 576 97 34-01 | DECAL       |        | 1       |



## ELECTRICAL

R322T AWD, 966785801, 967032101, 967153001, 2015

| Ref | Part No      | Description     | Remark | QTY KIT |
|-----|--------------|-----------------|--------|---------|
| 1   | 577 04 16-01 | BATTERY         |        | 1       |
| 2   | 535 44 11-01 | BATTERY MAT     |        | 1       |
| 3   | 578 20 06-01 | COVER           |        | 1       |
| 4   | 506 83 68-02 | BELT            |        | 1       |
| 5   | 522 62 21-01 | SCREW EHHM      |        | 2       |
| 6   | 522 62 43-01 | NUT             |        | 2       |
| 7   | 725 23 64-61 | SCREW EHHFT     |        | 1       |
| 8   | 506 89 98-01 | NUT             |        | 1       |
| 9   | 576 18 38-01 | CABLE           |        | 1       |
| 10  | 579 43 43-01 | IGNITION SWITCH |        | 1       |
| 11  | 578 26 17-01 | IGNITION SWITCH |        | 1       |
| 12  | 544 44 23-01 | NUT             |        | 1       |
| 13  | 544 44 24-01 | IGNITION KEY    |        | 1       |
| 14  | 578 33 84-01 | WIRING          |        | 1       |
| 15  | 576 18 39-01 | CABLE           |        | 1       |
| 16  | 576 18 40-01 | CABLE           |        | 1       |
| 17  | 544 43 98-01 | RELAY           |        | 1       |
| 18  | 506 89 98-01 | NUT             |        | 2       |
| 19  | 578 32 89-01 | WIRING          |        | 1       |
| 20  | 506 90 93-01 | PLATE SPRING    |        | 1       |
| 21  | 722 78 39-02 | BLIND RIVET     |        | 2       |
| 22  | 574 31 60-01 | SWITCH          |        | 1       |
| 23  | 544 44 07-01 | RIVET           |        | 2       |
| 24  | 506 90 96-01 | SWITCH          |        | 1       |
| 25  | 506 90 97-01 | SPRING WASHER   |        | 1       |
| 26  | 544 44 12-01 | SPRING          |        | 1       |
| 27  | 506 90 99-02 | SPACING TUBE    |        | 1       |
| 28  | 725 24 60-51 | SCREW EHHM      |        | 1       |
| 29  | 734 11 64-01 | WASHER          |        | 1       |
| 30  | 574 31 61-01 | SWITCH          |        | 1       |
| 31  | 544 41 57-01 | BRACKET         |        | 1       |
| 32  | 544 44 07-01 | RIVET           |        | 2       |
| 33  | 578 38 24-01 | HOUR METER      |        | 1       |



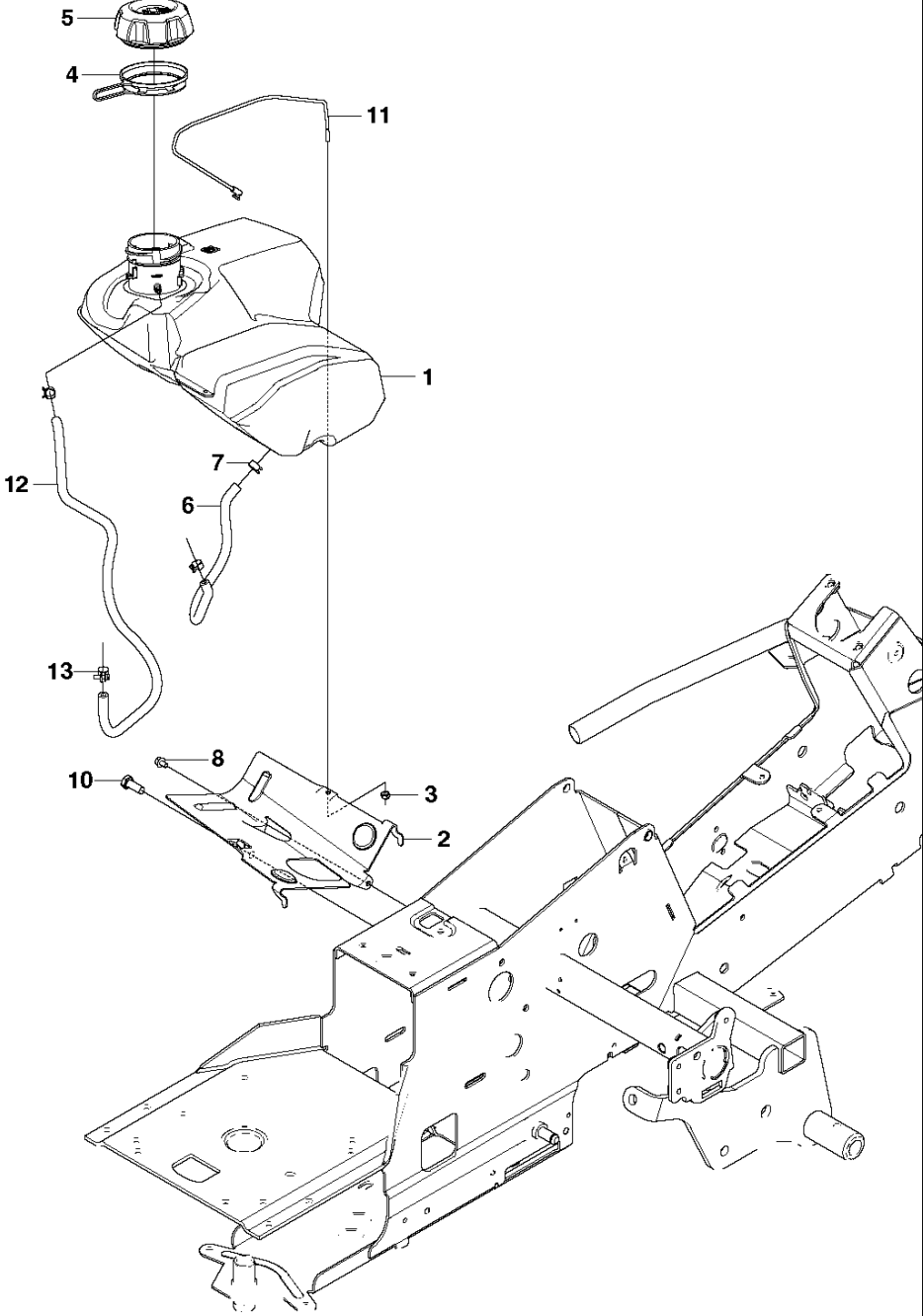


## ENGINE

R322T AWD, 966785801, 967032101, 967153001, 2015

| Ref | Part No      | Description   | Remark | QTY KIT |
|-----|--------------|---------------|--------|---------|
| 1   | 578 32 72-01 | ENGINE        |        | 1       |
| 4   | 578 87 89-01 | SCREW         |        | 1       |
| 5   | 732 21 18-01 | LOCK NUT      |        | 6       |
| 6   | 578 05 86-01 | MANIFOLD      |        | 1       |
| 7   | 506 91 45-01 | GASKET        |        | 1       |
| 8   | 506 55 63-01 | SCREW UNC     |        | 2       |
| 9   | 577 81 36-01 | MUFFLER       |        | 1       |
| 10  | 725 23 64-61 | SCREW EHHFT   |        | 2       |
| 11  | 506 66 84-01 | CLAMP ASSY    |        | 1       |
| 12  | 579 48 16-01 | HEAT SHIELD   |        | 1       |
| 13  | 506 59 74-01 | SCREW EHHFM   |        | 2       |
| 14  | 506 83 94-01 | SPRING WASHER |        | 2       |
| 15  | 577 84 91-01 | ENGINE FRAME  |        | 1       |
| 16  | 506 57 01-04 | SCREW EHHFM   |        | 4       |
| 17  | 734 11 54-41 | WASHER        |        | 2       |
| 20  | 578 20 75-01 | STUD SCREW    |        | 4       |

**B** R322T AWD  
FUEL SYSTEM

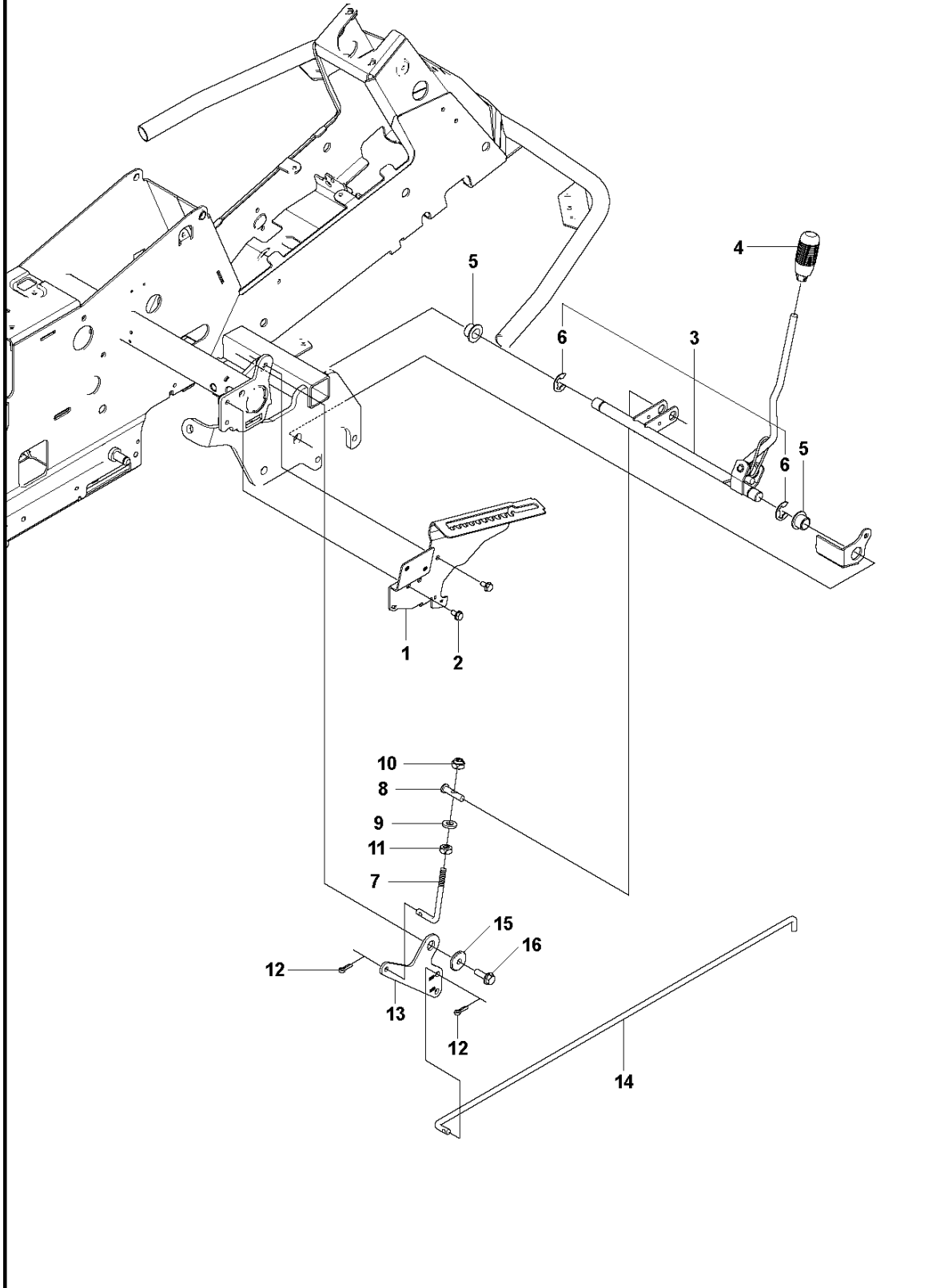


## FUEL SYSTEM

R322T AWD, 966785801, 967032101, 967153001, 2015

| Ref | Part No      | Description | Remark | QTY KIT |
|-----|--------------|-------------|--------|---------|
| 1   | 577 91 50-02 | FUEL TANK   |        | 1       |
| 2   | 578 05 38-01 | BRACKET     |        | 1       |
| 3   | 732 21 16-01 | NUT         |        | 1       |
| 4   | 544 28 26-04 | HOSE CLAMP  |        | 1       |
| 5   | 532 43 92-08 | HUB CAP     |        | 1       |
| 6   | 504 80 00-10 | FUEL HOSE   |        | 1       |
| 7   | 535 46 97-01 | HOSE BRACE  |        | 3       |
| 8   | 725 23 64-61 | SCREW EHHFT |        | 1       |
| 10  | 725 24 93-71 | SCREW EHHM  |        | 1       |
| 11  | 578 26 15-01 | WIRE        |        | 1       |
| 12  | 504 80 00-11 | FUEL HOSE   |        | 1       |
| 13  | 544 28 26-04 | HOSE CLAMP  |        | 1       |

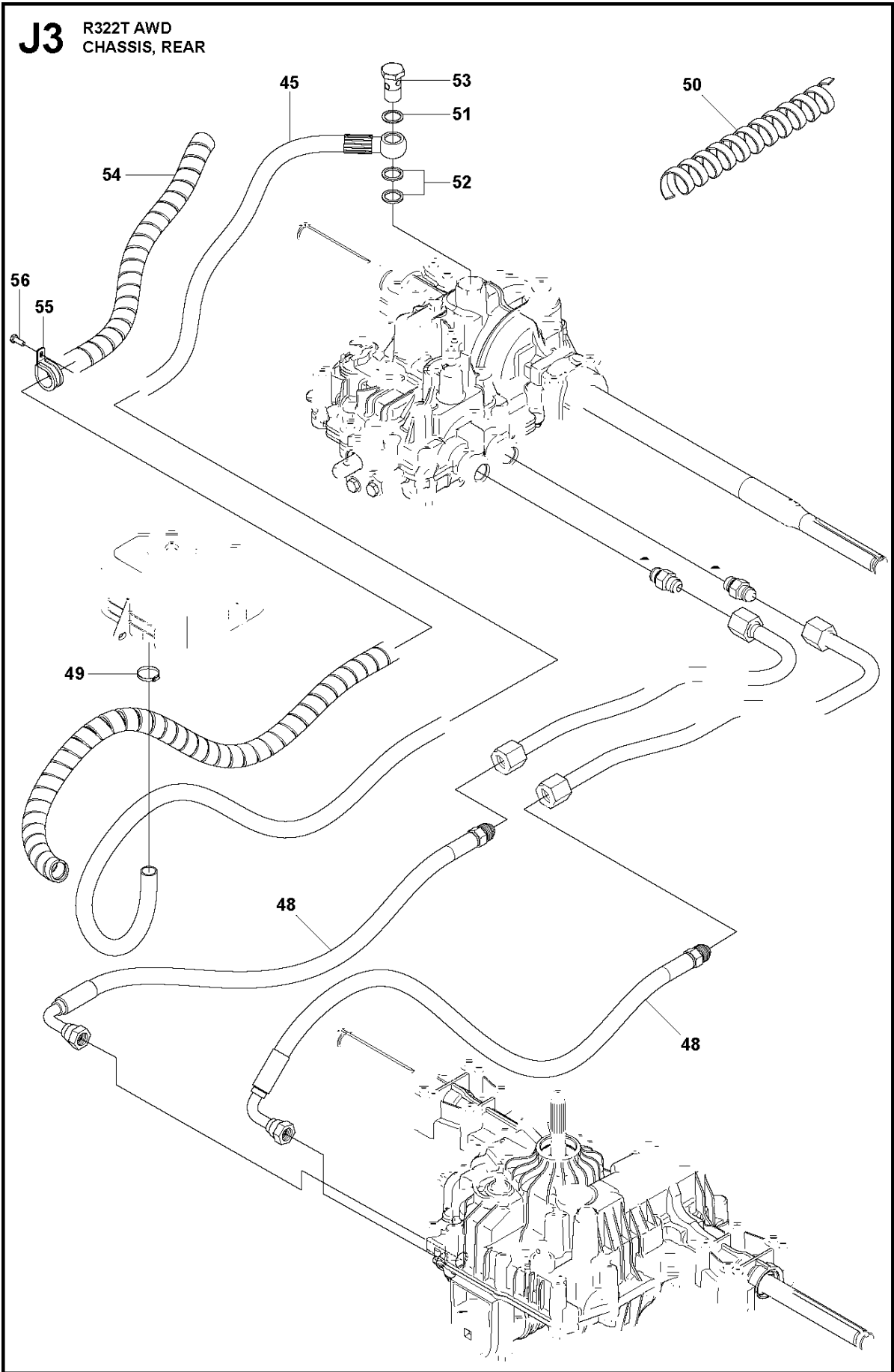
**D** R322T AWD  
HEIGHT ADJUSTMENT



## HEIGHT ADJUSTMENT

R322T AWD, 966785801, 967032101, 967153001, 2015

| Ref | Part No      | Description    | Remark | QTY KIT |
|-----|--------------|----------------|--------|---------|
| 1   | 578 00 13-02 | BRACKET        |        | 1       |
| 2   | 506 57 01-03 | SCREW EHHFM    |        | 2       |
| 3   | 577 99 99-01 | ADJUSTER       |        | 1       |
| 4   | 506 54 20-01 | HANDLE         |        | 1       |
| 5   | 506 55 43-01 | BEARING        |        | 2       |
| 6   | 735 31 22-20 | E-CLIP         |        | 2       |
| 7   | 506 90 82-01 | HEIGHT ROD     |        | 1       |
| 8   | 506 78 46-01 | PEN            |        | 1       |
| 9   | 734 11 72-01 | WASHER         |        | 1       |
| 10  | 732 21 18-01 | LOCK NUT       |        | 1       |
| 11  | 731 23 18-01 | HEXAGON NUT    |        | 1       |
| 12  | 721 61 83-01 | SPLIT PIN      |        | 2       |
| 13  | 578 04 07-01 | LINK           |        | 1       |
| 14  | 523 11 45-01 | CONNECTION ROD |        | 1       |
| 15  | 506 91 87-02 | WASHER         |        | 1       |
| 16  | 506 57 01-05 | SCREW EHHFM    |        | 1       |

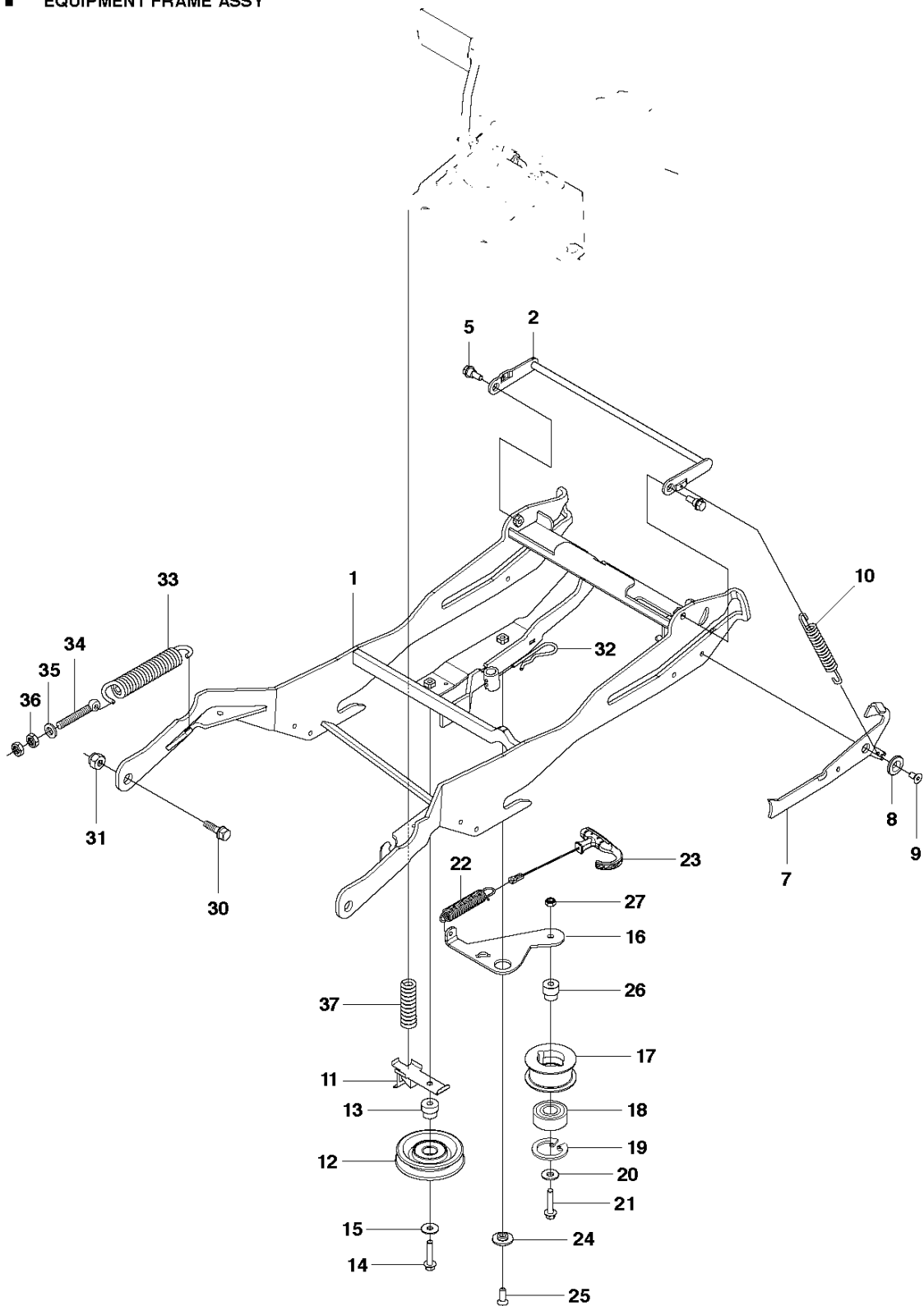


## HYDRAULIC FRAME

R322T AWD, 966785801, 967032101, 967153001, 2015

| Ref | Part No      | Description    | Remark | QTY KIT |
|-----|--------------|----------------|--------|---------|
| 45  | 578 29 50-03 | HYDRAULIC HOSE |        | 1       |
| 48  | 544 45 64-03 | HYDRAULIC HOSE |        | 2       |
| 49  | 505 13 11-01 | HOSE CLAMP     |        | 1       |
| 50  | 544 02 66-01 | HOSE GUARD     |        | 1       |
| 51  | 544 01 00-01 | GASKET         |        | 1       |
| 52  | 544 01 00-03 | GASKET         |        | 2       |
| 53  | 544 02 05-01 | PIPE FITTING   |        | 1       |
| 54  | 544 02 66-07 | HOSE GUARD     |        | 1       |
| 55  | 574 53 12-01 | HOSE CLAMP     |        | 1       |
| 56  | 725 23 68-61 | SCREW EHHFT    |        | 1       |

**T** R322T AWD  
EQUIPMENT FRAME ASSY

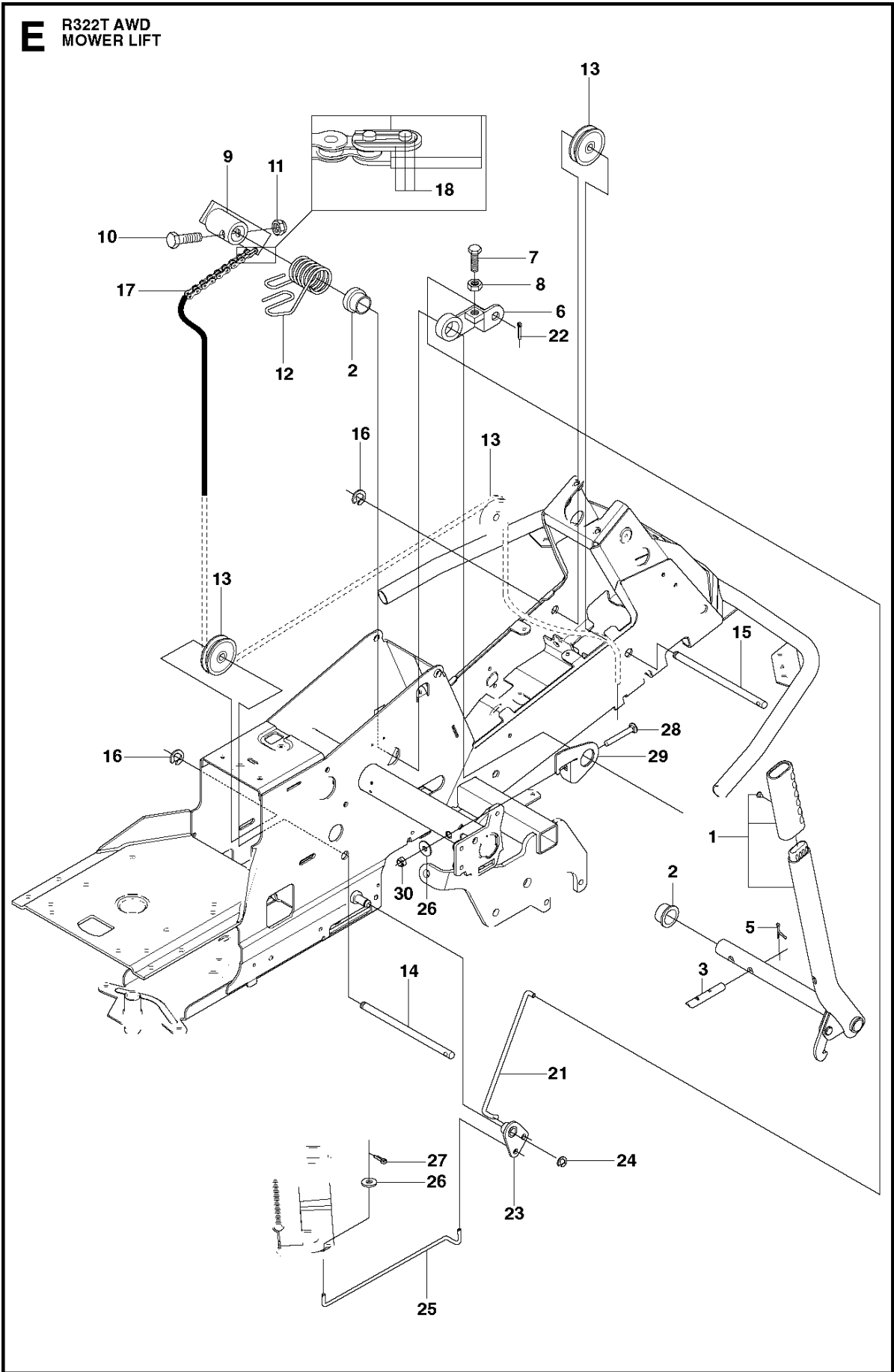




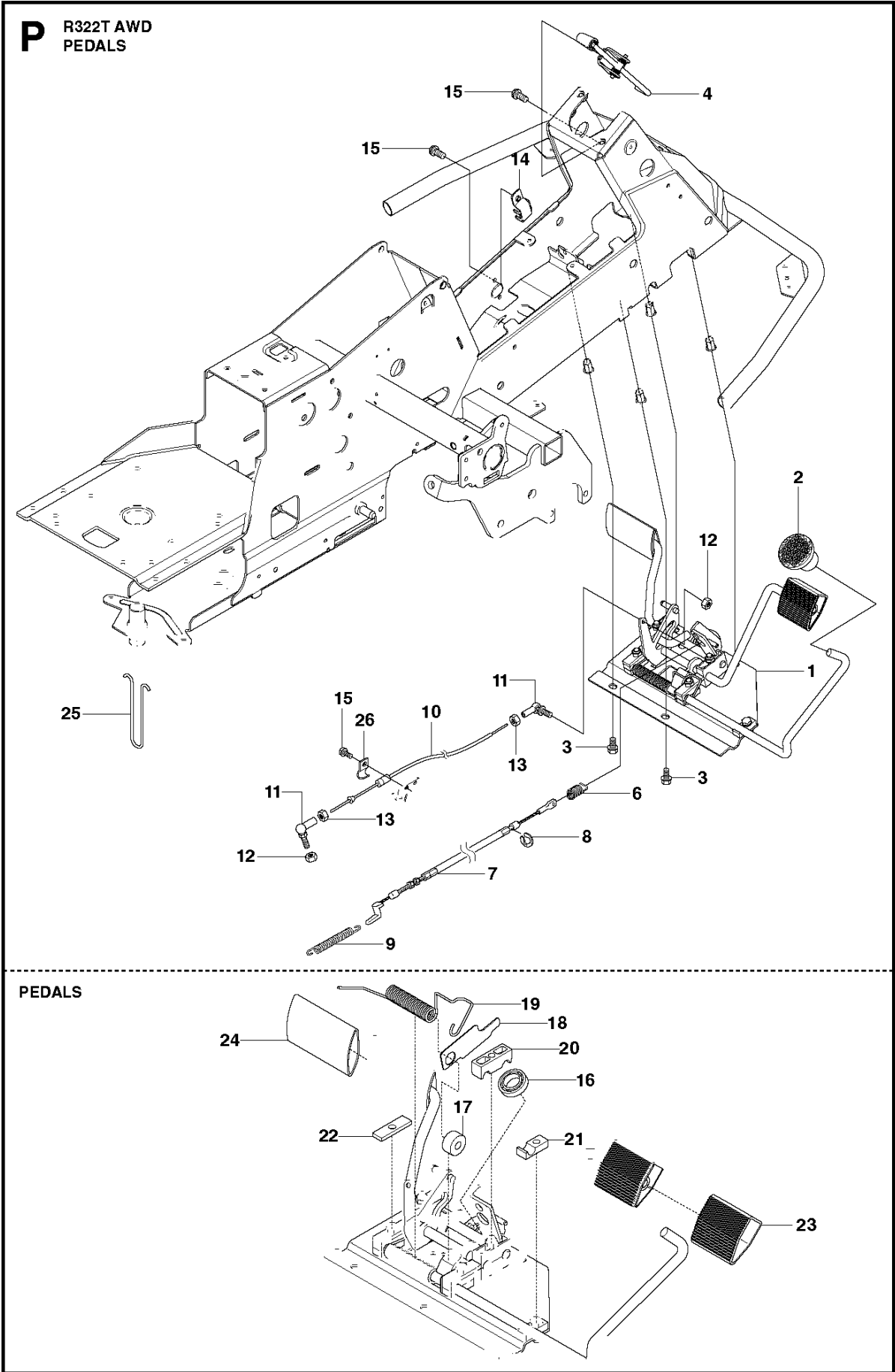
## MOWER LIFT / DECK LIFT

R322T AWD, 966785801, 967032101, 967153001, 2015

| Ref | Part No      | Description               | Remark | QTY KIT |
|-----|--------------|---------------------------|--------|---------|
| 1   | 523 06 42-01 | EQUIPMENT FRAME           |        | 1       |
| 2   | 525 47 59-01 | HOOK                      |        | 1       |
| 5   | 506 59 74-01 | SCREW EHHFM               |        | 2       |
| 7   | 523 11 66-02 | LEVER                     |        | 1       |
| 8   | 506 91 87-01 | WASHER                    |        | 1       |
| 9   | 725 64 48-01 | SCREW IHCSFM              |        | 1       |
| 10  | 506 53 56-03 | DRAW SPRING               |        | 1       |
| 11  | 578 91 05-01 | BRAKE                     |        | 1       |
| 12  | 506 97 48-01 | PULLEY                    |        | 1       |
| 13  | 506 82 68-02 | BUSHING                   |        | 1       |
| 14  | 725 24 59-51 | SCREW EHHM                |        | 1       |
| 15  | 734 11 64-41 | WASHER                    |        | 1       |
| 16  | 577 22 87-01 | SHEET                     |        | 1       |
| 17  | 505 15 39-01 | BELT TENSIONER WHEEL ASSY |        | 1       |
| 18  | 738 21 04-04 | BALL BEARING              |        | 1       |
| 19  | 735 31 38-10 | CIRCLIP                   |        | 1       |
| 20  | 734 11 64-41 | WASHER                    |        | 1       |
| 21  | 725 24 59-51 | SCREW EHHM                |        | 1       |
| 22  | 504 62 24-01 | SPRING                    |        | 1       |
| 23  | 504 62 21-02 | HANDLE ASSY               |        | 1       |
| 24  | 505 45 17-01 | WASHER                    |        | 1       |
| 25  | 725 64 53-01 | SCREW IHCSFM              |        | 1       |
| 26  | 535 48 48-01 | BUSHING                   |        | 1       |
| 27  | 732 21 18-01 | LOCK NUT                  |        | 1       |
| 30  | 506 89 58-01 | COLLAR SCREW              |        | 2       |
| 31  | 732 25 22-01 | HEXAGON LOCKING NUT       |        | 2       |
| 32  | 506 96 66-01 | HAIR PIN COTTER           |        | 1       |
| 33  | 506 83 76-01 | SPRING                    |        | 2       |
| 34  | 506 83 77-01 | RING BOLT                 |        | 2       |
| 35  | 734 11 72-01 | WASHER                    |        | 2       |
| 36  | 731 23 20-51 | HEXAGON NUT               |        | 4       |
| 37  | 579 31 99-01 | SPRING                    |        | 1       |



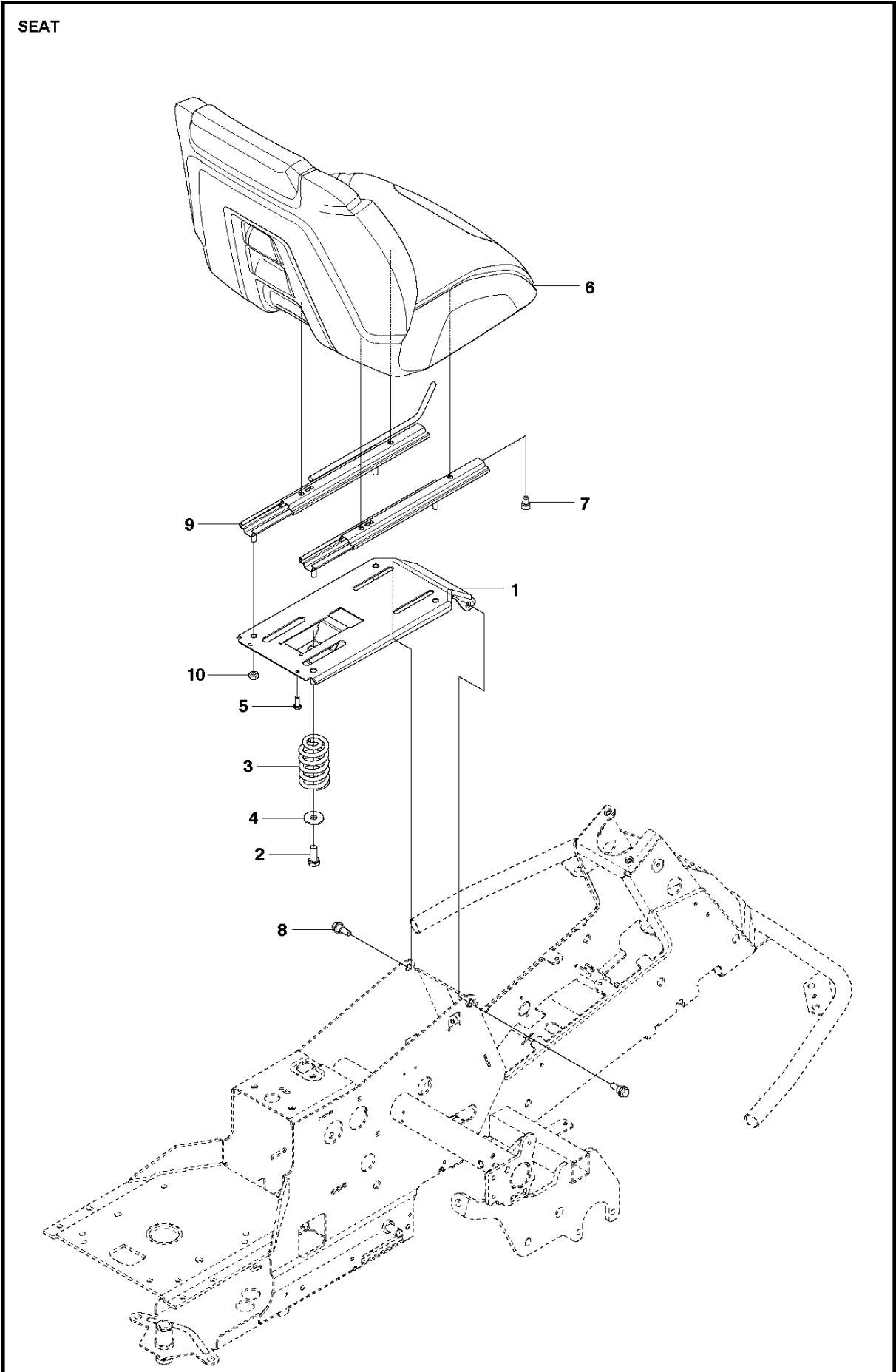
| Ref | Part No      | Description         | Remark | QTY KIT |
|-----|--------------|---------------------|--------|---------|
| 1   | 577 96 67-01 | LIFTING LEVER ASSY  |        | 1       |
| 2   | 506 55 65-01 | BEARING             |        | 1       |
| 3   | 525 40 66-01 | PEN                 |        | 1       |
| 5   | 721 61 83-01 | SPLIT PIN           |        | 2       |
| 6   | 506 78 43-01 | LINK ASSY           |        | 1       |
| 7   | 725 24 97-51 | SCREW               |        | 1       |
| 8   | 731 23 20-51 | HEXAGON NUT         |        | 1       |
| 9   | 544 43 36-01 | LIFTING ARM         |        | 1       |
| 10  | 725 25 42-51 | SCREW EHHM          |        | 1       |
| 11  | 732 25 22-01 | HEXAGON LOCKING NUT |        | 1       |
| 12  | 506 91 68-01 | SPRING              |        | 1       |
| 13  | 506 90 56-01 | OFFSET PULLEY       |        | 1       |
| 14  | 506 90 57-01 | SHAFT               |        | 1       |
| 15  | 506 90 57-02 | SHAFT               |        | 1       |
| 16  | 735 31 18-20 | E-CLIP              |        | 1       |
| 17  | 506 55 46-07 | CHAIN               |        | 1       |
| 18  | 506 55 47-01 | LINKAGE             |        | 1       |
| 21  | 544 45 69-01 | CONNECTION ROD      |        | 1       |
| 22  | 721 61 83-01 | SPLIT PIN           |        | 1       |
| 23  | 544 37 86-01 | LINK                |        | 1       |
| 24  | 735 31 14-20 | E-CLIP              |        | 1       |
| 25  | 544 44 88-01 | CONNECTION ROD      |        | 1       |
| 26  | 734 11 64-41 | WASHER              |        | 1       |
| 27  | 721 61 83-01 | SPLIT PIN           |        | 1       |
| 28  | 535 42 38-03 | SCREW RSQM          |        | 1       |
| 29  | 577 99 95-01 | SHEET               |        | 1       |
| 30  | 732 21 18-01 | LOCK NUT            |        | 2       |



## PEDALS

R322T AWD, 966785801, 967032101, 967153001, 2015

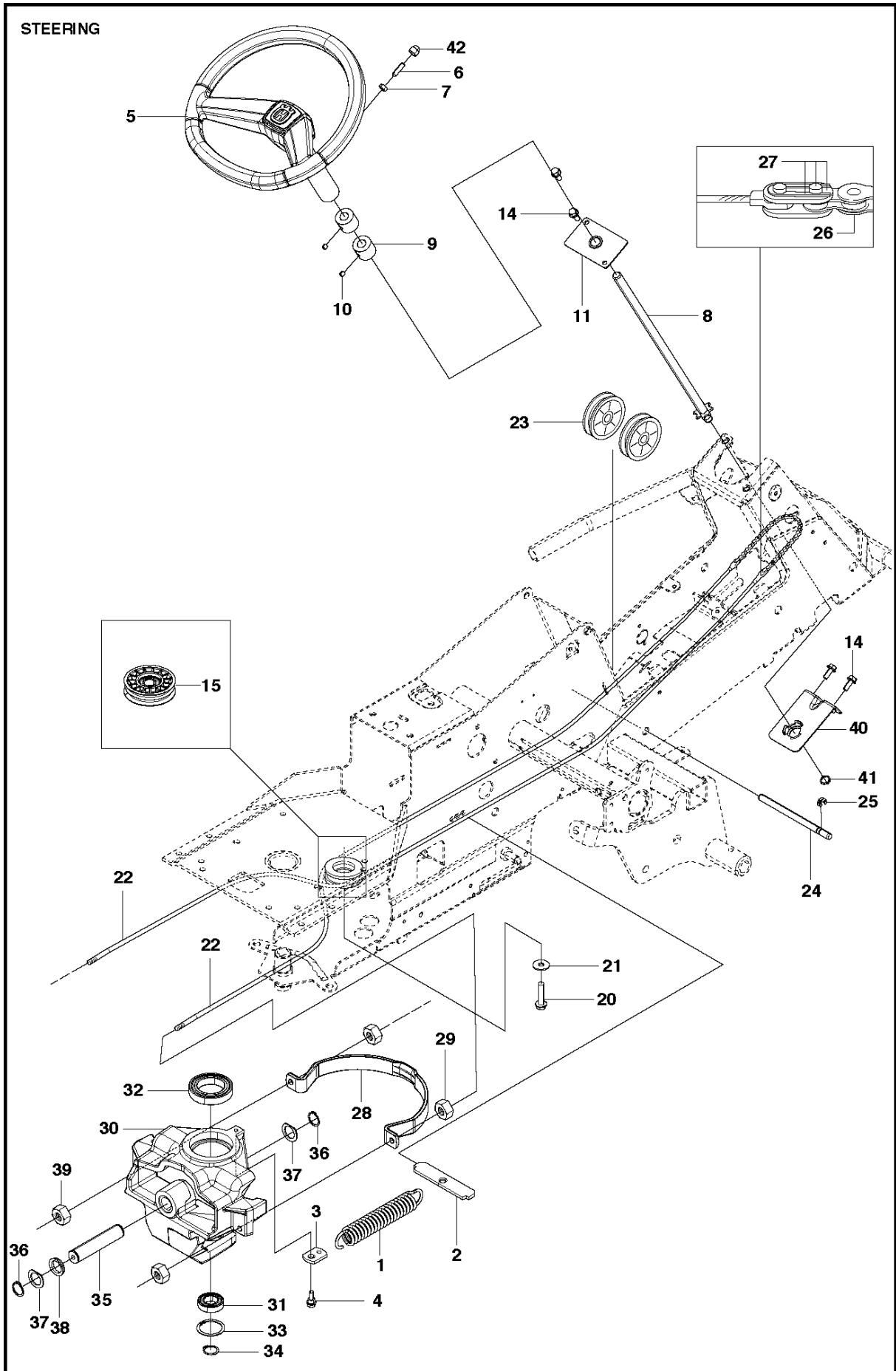
| Ref | Part No      | Description          | Remark | QTY KIT |
|-----|--------------|----------------------|--------|---------|
| 1   | 544 12 60-01 | PEDAL PLATE ASSY     |        | 1       |
| 2   | 535 47 37-01 | KNOB                 |        | 1       |
| 3   | 506 57 01-04 | SCREW EHHFM          |        | 4       |
| 4   | 544 40 31-01 | BRAKE LEVER ASSY     |        | 1       |
| 6   | 506 94 63-01 | BRAKE SPRING         |        | 1       |
| 7   | 576 71 21-01 | BRAKE WIRE           |        | 1       |
| 8   | 735 31 09-20 | HARNESS              |        | 1       |
| 9   | 574 51 11-02 | CONTROL CABLE        |        | 1       |
| 10  | 574 41 12-02 | CONTROL CABLE        |        | 1       |
| 11  | 506 55 73-01 | VINKELL.AS8 DIN71802 |        | 2       |
| 12  | 732 21 14-01 | LOCK NUT             |        | 2       |
| 13  | 731 23 14-01 | HEXAGON NUT          |        | 2       |
| 14  | 522 43 08-01 | BRACKET              |        | 1       |
| 15  | 725 23 64-61 | SCREW EHHFT          |        | 4       |
| 16  | 738 21 02-04 | BALL BEARING         |        | 1       |
| 17  | 535 48 02-01 | ROLLER               |        | 1       |
| 18  | 535 48 06-01 | PROTECTIVE PLATE     |        | 1       |
| 19  | 535 48 07-01 | SPRING               |        | 1       |
| 20  | 535 48 08-01 | BEARING SUPPORT      |        | 4       |
| 21  | 535 48 09-01 | BEARING SUPPORT      |        | 5       |
| 22  | 535 48 10-01 | REINFORCEMENT PLATE  |        | 3       |
| 23  | 535 47 88-01 | PEDAL RUBBER         |        | 1       |
| 24  | 535 47 88-02 | PEDAL RUBBER         |        | 1       |
| 25  | 506 57 64-02 | CABLE HOLDER         |        | 1       |
| 26  | 506 56 65-01 | CLIP                 |        | 1       |



## SEAT

R322T AWD, 966785801, 967032101, 967153001, 2015

| Ref | Part No      | Description        | Remark | QTY KIT |
|-----|--------------|--------------------|--------|---------|
| 1   | 587 15 27-01 | SEAT BRACKET       |        | 1       |
| 2   | 725 24 93-71 | SCREW EHHM         |        | 1       |
| 3   | 506 91 53-01 | COMPRESSION SPRING |        | 1       |
| 4   | 734 11 74-41 | WASHER             |        | 1       |
| 5   | 725 23 68-61 | SCREW EHHFT        |        | 1       |
| 6   | 587 39 30-01 | SEAT               |        | 1       |
| 7   | 725 54 47-01 | SCREW IHSCM        |        | 4       |
| 8   | 506 59 74-01 | SCREW EHHFM        |        | 2       |
| 9   | 587 29 04-01 | SEAT ADJUSTER      |        | 2       |
| 10  | 732 21 18-01 | LOCK NUT           |        | 4       |



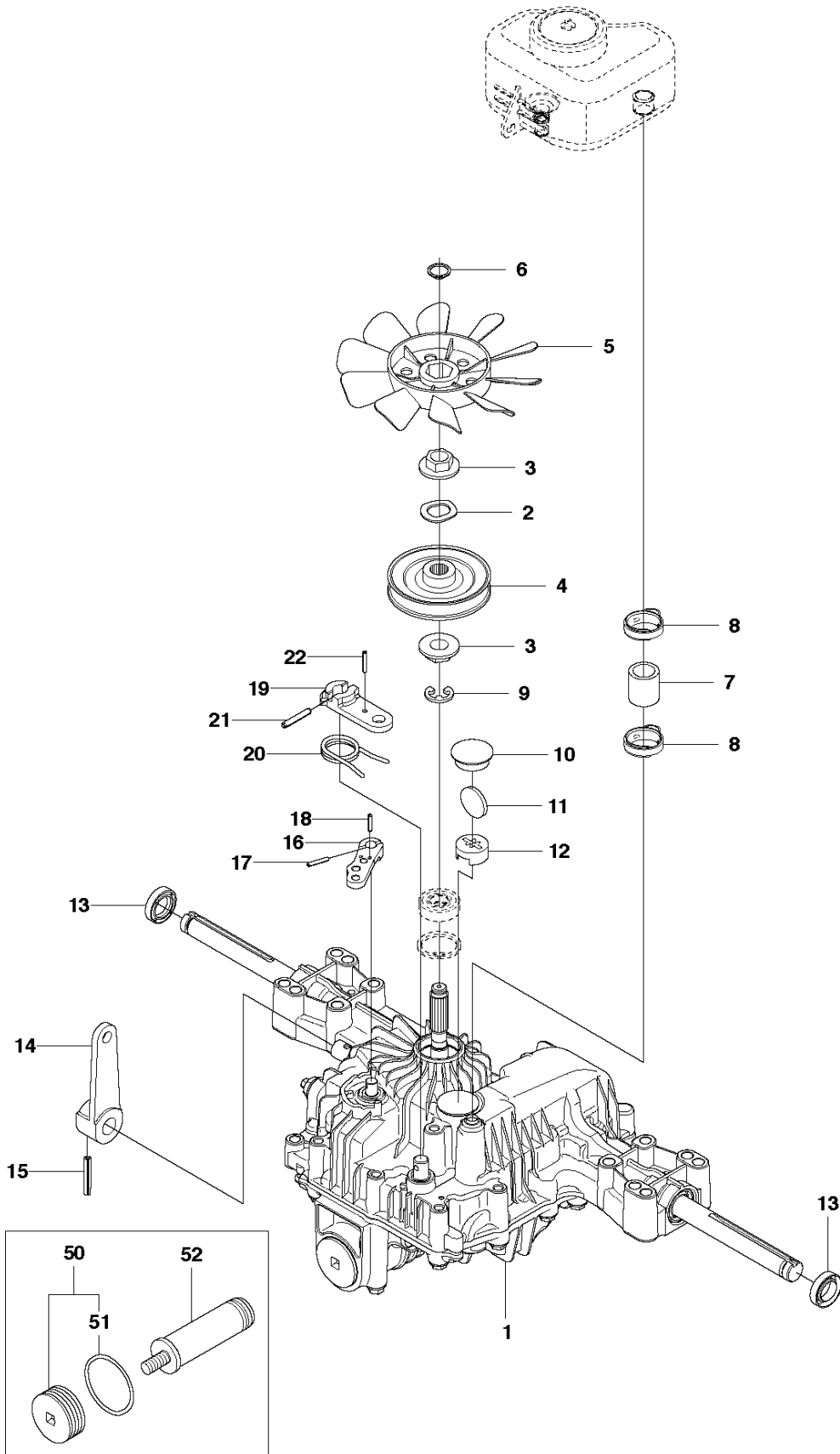


## STEERING

R322T AWD, 966785801, 967032101, 967153001, 2015

| Ref | Part No      | Description      | Remark | QTY KIT |
|-----|--------------|------------------|--------|---------|
| 1   | 506 67 19-01 | SPRING           |        | 1       |
| 2   | 506 57 63-01 | SPRING RETAINER  |        | 1       |
| 3   | 506 67 08-01 | LINK             |        | 1       |
| 4   | 506 59 74-01 | SCREW EHHFM      |        | 1       |
| 5   | 577 96 04-01 | STEERING WHEEL   |        | 1       |
| 6   | 728 74 55-05 | SCREW IHSETM     |        | 1       |
| 7   | 731 23 18-01 | HEXAGON NUT      |        | 1       |
| 8   | 583 90 88-01 | STEERING ROD     |        | 1       |
| 9   | 506 86 34-01 | DRIVER           |        | 2       |
| 10  | 728 84 43-05 | SCREW IHSETM     |        | 2       |
| 11  | 584 15 56-01 | BRACKET          |        | 1       |
| 14  | 506 57 01-04 | SCREW EHHFM      |        | 4       |
| 15  | 576 49 25-01 | PULLEY           |        | 1       |
| 20  | 506 67 54-03 | SCREW EHHFM      |        | 1       |
| 21  | 734 11 74-41 | WASHER           |        | 1       |
| 22  | 577 19 99-04 | WIRE ASSY        |        | 2       |
| 23  | 506 52 24-01 | STARTER PULLEY   |        | 2       |
| 24  | 506 53 94-03 | SHAFT            |        | 1       |
| 25  | 735 31 14-20 | E-CLIP           |        | 2       |
| 26  | 506 55 46-01 | CHAIN            |        | 1       |
| 27  | 506 55 47-01 | LINKAGE          |        | 2       |
| 28  | 544 42 73-01 | WIRE GUIDE       |        | 1       |
| 29  | 731 23 20-01 | HEXAGON NUT      |        | 2       |
| 30  | 577 65 93-01 | SPINDLE          |        | 1       |
| 31  | 738 21 05-04 | BALL BEARING     |        | 1       |
| 32  | 738 21 10-04 | BALL BEARING     |        | 1       |
| 33  | 735 31 40-10 | CIRCLIP          |        | 1       |
| 34  | 735 31 26-00 | CIRCLIP          |        | 1       |
| 35  | 506 98 59-01 | SWING AXLE       |        | 1       |
| 36  | 735 31 26-00 | CIRCLIP          |        | 2       |
| 37  | 506 77 34-01 | WASHER           |        | 2       |
| 38  | 740 68 14-21 | V-RING           |        | 1       |
| 39  | 732 21 20-51 | NUT              |        | 2       |
| 40  | 583 89 97-01 | BRACKET          |        | 1       |
| 41  | 735 31 17-00 | CIRCLIP          |        | 1       |
| 42  | 544 43 32-01 | PROTECTIVE COVER |        | 1       |

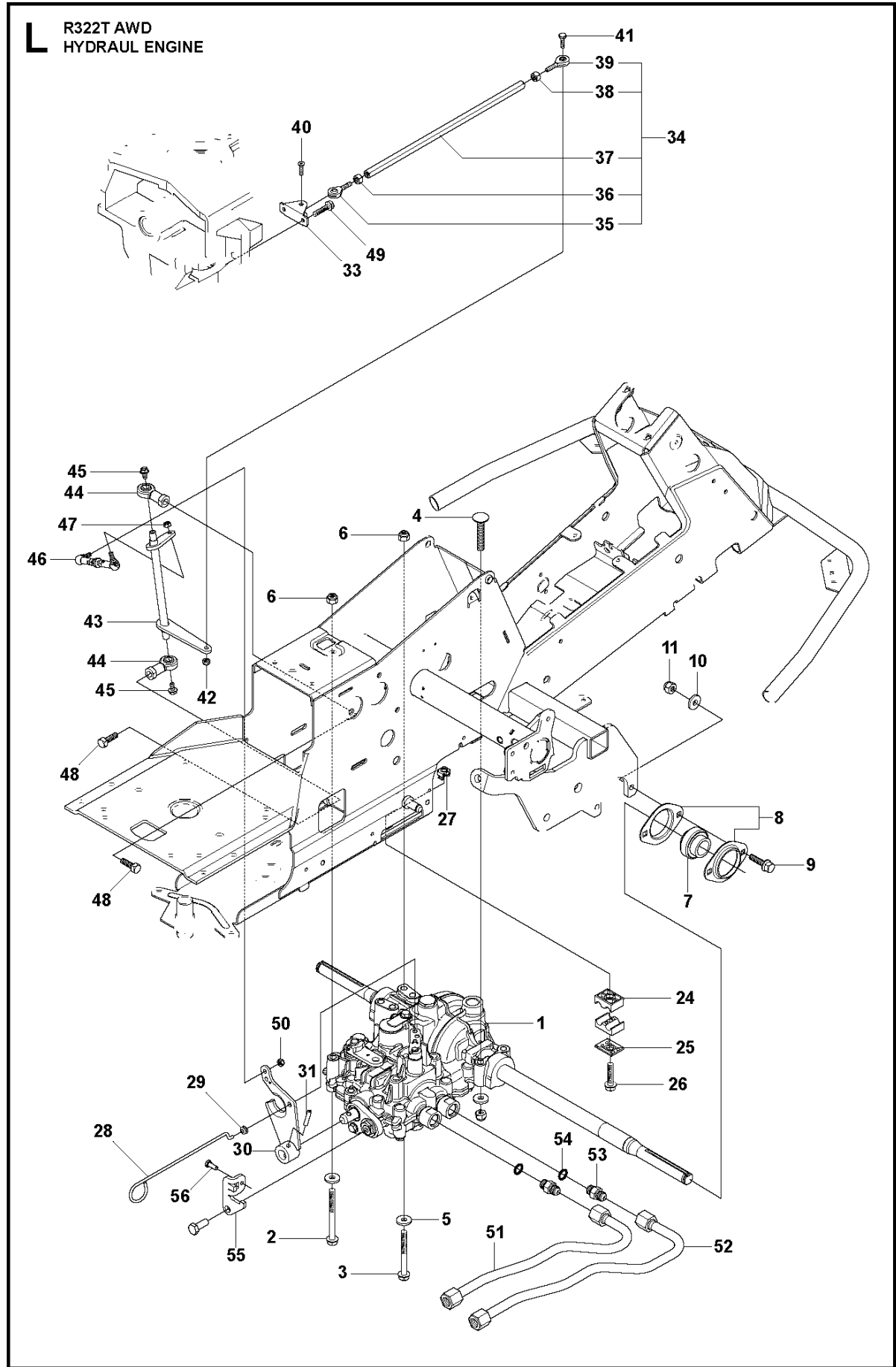
K574



## TRANSMISSION

R322T AWD, 966785801, 967032101, 967153001, 2015

| Ref | Part No      | Description         | Remark | QTY | KIT |
|-----|--------------|---------------------|--------|-----|-----|
| 1   | 544 11 61-01 | TRANSMISSION        |        | 1   |     |
| 2   | 506 98 65-01 | SPRING WASHER       |        | 1   |     |
| 3   | 506 98 66-01 | DISTANCE            |        | 2   |     |
| 4   | 502 45 19-01 | PULLEY              |        | 1   |     |
| 5   | 506 98 68-01 | FAN                 |        | 1   |     |
| 6   | 735 31 15-00 | CIRCLIP             |        | 1   |     |
| 7   | 502 45 16-01 | TUBE                |        | 1   |     |
| 8   | 506 98 70-01 | HOSE CLAMP          |        | 2   |     |
| 9   | 535 40 28-07 | CLIP                |        | 1   | 1   |
| 10  | 535 40 28-32 | PLUG                |        | 1   | 1   |
| 11  | 535 40 28-29 | MAGNET              |        | 1   | 1   |
| 12  | 502 45 20-01 | MAGNET HOLDER       |        | 1   | 1   |
| 13  | 535 40 28-37 | SEALING             |        | 2   | 1   |
| 14  | 502 45 32-01 | CONTROL LEVER       |        | 1   | 1   |
| 15  | 535 40 28-09 | PIN RETAINING SCREW |        | 1   | 1   |
| 16  | 535 40 28-17 | LEVER               |        | 1   | 1   |
| 17  | 535 40 28-16 | PIN RETAINING SCREW |        | 1   | 1   |
| 18  | 535 40 28-33 | PIN RETAINING SCREW |        | 1   | 1   |
| 19  | 535 40 28-38 | LEVER               |        | 1   | 1   |
| 20  | 535 40 28-39 | RETURN SPRING       |        | 1   | 1   |
| 21  | 535 40 28-40 | PIN RETAINING SCREW |        | 1   | 1   |
| 22  | 535 40 28-41 | PIN RETAINING SCREW |        | 1   | 1   |
| 50  | 574 51 51-01 | KIT                 |        | 1   |     |
| 51  | 574 51 52-01 | O-RING              |        | 1   | 50  |
| 52  | 535 40 28-19 | FILTER              |        | 1   |     |

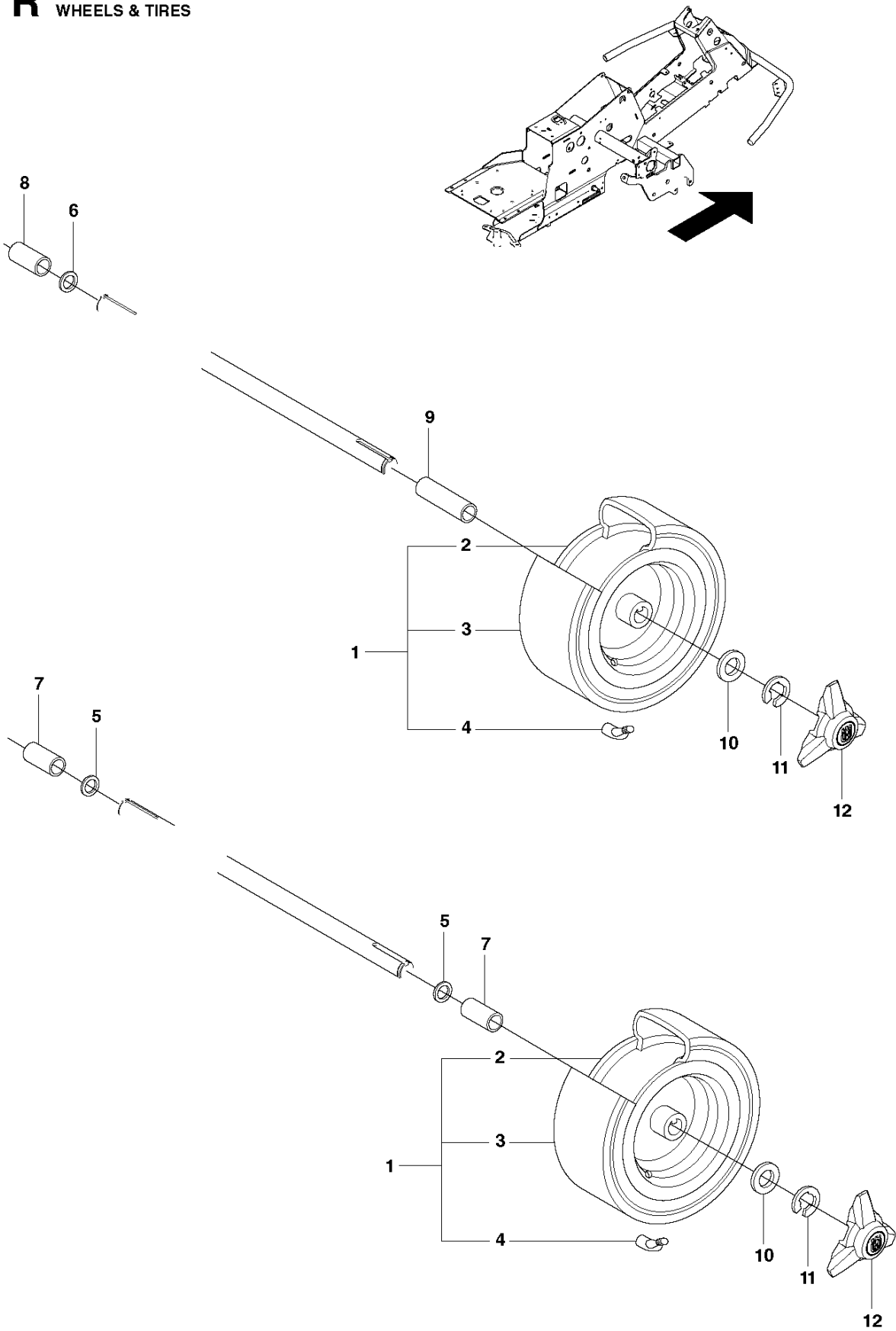


## TRANSMISSION

R322T AWD, 966785801, 967032101, 967153001, 2015

| Ref | Part No      | Description           | Remark | QTY KIT |
|-----|--------------|-----------------------|--------|---------|
| 1   | 575 48 43-01 | TRANSMISSION          |        | 1       |
| 2   | 725 24 67-51 | SCREW EHHM            |        | 1       |
| 3   | 725 24 64-51 | SCREW EHHM            |        | 1       |
| 4   | 535 42 38-03 | SCREW RSQM            |        | 1       |
| 5   | 734 11 64-01 | WASHER                |        | 3       |
| 6   | 732 21 18-01 | LOCK NUT              |        | 3       |
| 7   | 544 00 89-02 | BEARING               |        | 1       |
| 8   | 544 00 90-02 | BEARING HOUSING       |        | 2       |
| 9   | 506 57 01-05 | SCREW EHHFM           |        | 2       |
| 10  | 734 11 64-01 | WASHER                |        | 2       |
| 11  | 732 21 18-01 | LOCK NUT              |        | 2       |
| 24  | 544 37 33-02 | PIPE CLAMP            |        | 1       |
| 25  | 544 37 38-02 | COVER PLATE           |        | 1       |
| 26  | 506 57 01-07 | SCREW EHHFM           |        | 1       |
| 27  | 544 81 17-01 | CAGE NUT              |        | 1       |
| 28  | 535 49 97-01 | ARM                   |        | 1       |
| 29  | 503 73 58-01 | BUSHING               |        | 1       |
| 30  | 578 29 19-01 | LEVER                 |        | 1       |
| 31  | 721 43 47-01 | SPRING PIN            |        | 1       |
| 33  | 535 49 28-02 | BRACKET               |        | 1       |
| 34  | 544 45 67-03 | ROD                   |        | 1       |
| 35  | 535 48 66-02 | ROD END               |        | 1       |
| 36  | 503 22 10-18 | HEXAGON NUT           |        | 1       |
| 37  | 535 48 65-03 | ROD                   |        | 1       |
| 38  | 731 23 16-01 | HEXAGON NUT           |        | 1       |
| 39  | 535 48 66-01 | ROD END               |        | 1       |
| 40  | 544 84 17-01 | SCREW                 |        | 1       |
| 41  | 725 23 70-71 | SCREW EHHM            |        | 1       |
| 42  | 732 21 16-01 | NUT                   |        | 1       |
| 43  | 535 49 74-02 | LEVER                 |        | 1       |
| 44  | 506 95 17-01 | ROD END               |        | 2       |
| 45  | 535 47 52-12 | SCREW EHHFM           |        | 2       |
| 46  | 544 44 19-01 | ADJUSTMENT ROD        |        | 1       |
| 47  | 732 21 16-01 | NUT                   |        | 1       |
| 48  | 725 24 93-71 | SCREW EHHM            |        | 2       |
| 49  | 725 23 66-51 | HEXAGONAL SCREW M6X12 |        | 2       |
| 50  | 732 21 16-01 | NUT                   |        | 3       |
| 51  | 544 80 80-01 | HYDRAULIC PIPE        |        | 2       |
| 52  | 544 80 79-01 | HYDRAULIC PIPE        |        | 2       |
| 53  | 535 42 68-06 | PIPE FITTING          |        | 2       |
| 54  | 505 45 11-01 | O-RING                |        | 2       |
| 55  | 578 04 78-01 | BRACKET               |        | 1       |
| 56  | 725 23 68-61 | SCREW EHHFT           |        | 1       |

**R** R322T AWD  
WHEELS & TIRES



## WHEELS &amp; TIRES

R322T AWD, 966785801, 967032101, 967153001, 2015

| Ref | Part No      | Description    | Remark | QTY KIT |
|-----|--------------|----------------|--------|---------|
| 1   | 523 01 26-02 | WHEEL          |        | 4       |
| 2   | 523 03 48-01 | RIM            |        | 1       |
| 3   | 523 03 46-02 | TYRE           |        | 1       |
| 4   | 523 03 47-01 | VALVE          |        | 1       |
| 5   | 506 50 48-03 | WASHER         |        | 2       |
| 6   | 506 94 58-01 | WASHER         |        | 1       |
| 7   | 506 59 62-03 | SPACING SLEEVE |        | 2       |
| 8   | 544 13 26-01 | SLEEVE         |        | 1       |
| 9   | 544 13 26-02 | SLEEVE         |        | 1       |
| 10  | 506 50 48-05 | WASHER         |        | 4       |
| 11  | 506 89 90-01 | E-CLIP         |        | 4       |
| 12  | 544 35 35-01 | HUB CAP        |        | 4       |