



Parts Manual

Zero Turn Mower / Z 242F

967045301-00

Please read the operator manual carefully
and make sure you understand
the instructions before using the machine.



When you need spare parts or support in service questions, warranty issues, etc., please consult the following professional:

This manual belongs to the machine with the manufacturing number:	Engine	Transmission

Manufacturing Number

The machine's manufacturing number can be found on the printed plate affixed to the engine compartment.

Stated on the plate, from the top are:

- The machine's type designation (I.D.).
- The manufacturer's type number (Model).
- The machine's serial number (Serial no.)

Please have the type designation and serial number available when ordering spare parts.

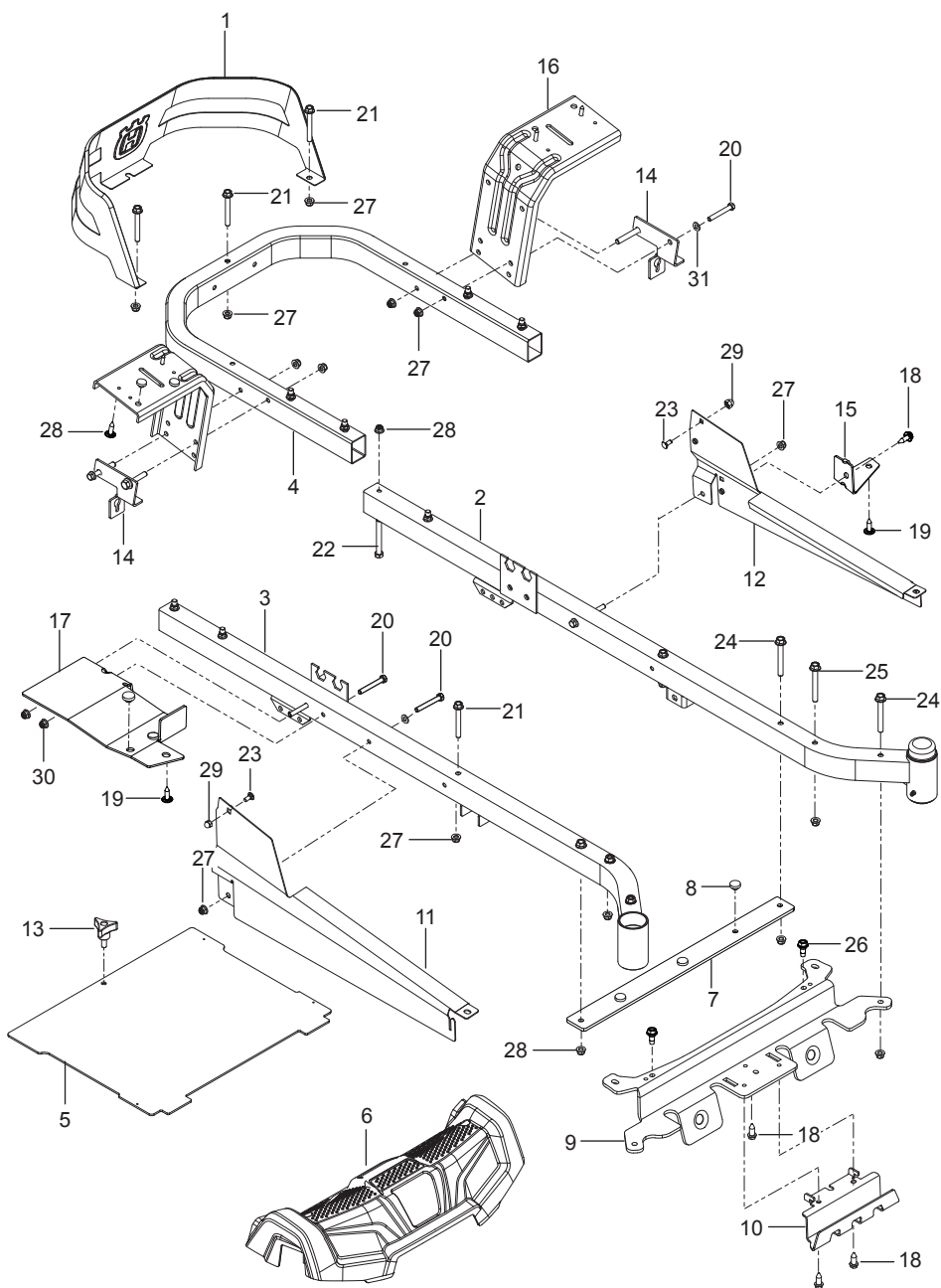
CONTENTS

FRAME	4
ENGINE PLATE.....	6
STEERING	8
IGNITION SYSTEM.....	10
BRAKE / LIFT	12
HYDRAULIC PUMP-MOTOR.....	14
WHEELS & TIRES	16
MOWER DECK / CUTTING DECK	18
SEAT	20
DECALS	22

Illustrations may or may not represent the actual assemblies and it is not recommended to use this manual as a guide to assemble or disassemble the mower.

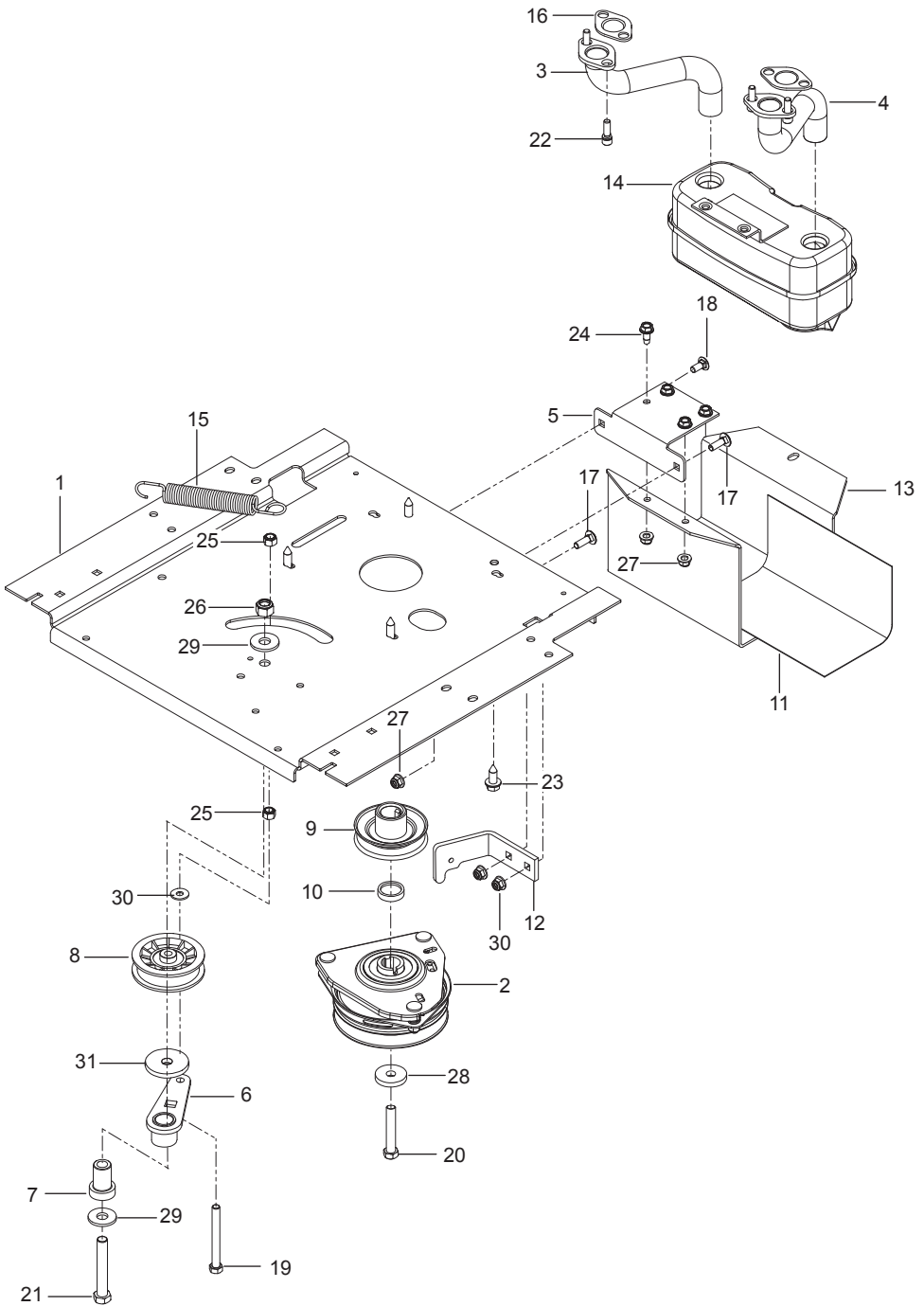
NOTE: All fasteners are Grade 5 unless otherwise specified.

FRAME



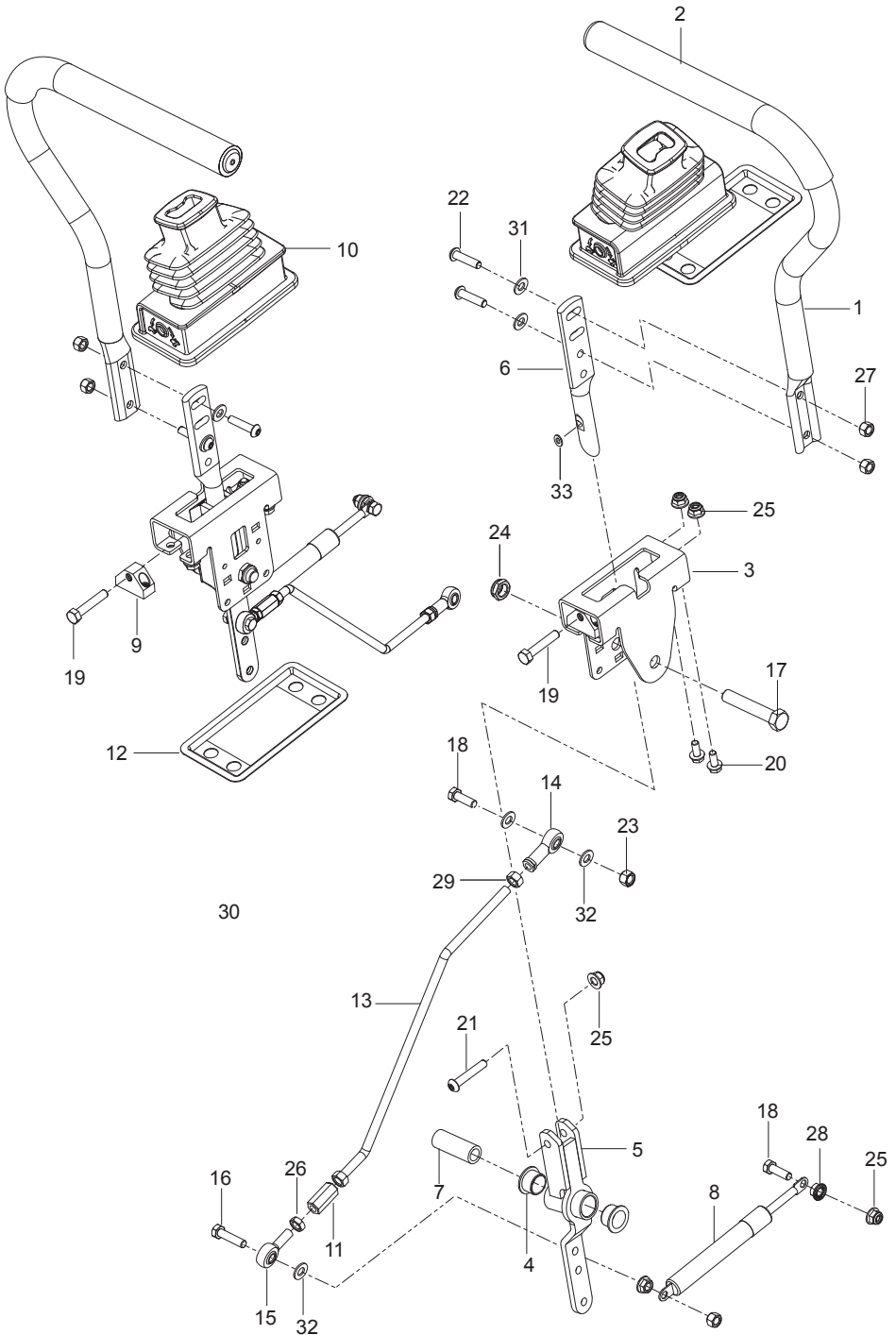
Ref.	Part No.	Qty	Description
1	585 03 98-02	1	Guard, Rear Blk
2	510 17 75-03	1	Frame, Front Right Org
3	510 17 74-03	1	Frame, Front Left Org
4	584 99 10-02	1	Frame, Rear Tube Org
5	522 84 29-02	1	Foot Plate w/ Safety Decal
6	585 52 24-01	1	Cover, Footrest
7	585 52 30-04	1	Support, Footrest
8	585 98 93-01	7	Grommet, Bumper
9	585 52 31-04	1	Cross Member
10	585 52 32-04	1	Plate, Skid Silv
11	585 33 16-02	1	Cover, Rail Right
12	585 33 15-02	1	Cover, Rail Left
13	539 10 44-11	1	Knob w/ Stud
14	585 47 43-02	2	Bracket, Bypass Rod
15	585 52 36-04	1	Support, Console Left
16	580 50 13-02	2	Support, Fender Blk
17	585 52 34-04	1	Support, Console Right
18	817 00 05-10	4	Screw 5/16-18 x 5/8 Washer Head
19	532 41 63-58	6	Screw #10-24 x 3/4 Hex Head
20	874 78 05-36	2	Bolt 5/16-18 x 2-1/4
21	874 49 05-44	5	Bolt 5/16-18 x 2-3/4
22	874 78 06-48	8	Bolt 3/8-16 x 3
23	585 94 00-01	2	Bolt 5/16-18 x 1 Carriage
24	577 11 77-01	4	Bolt 3/8-16 x 3
25	586 65 43-01	2	Bolt 3/8-16 x 3 Shoulder
26	586 88 11-01	2	Bolt 5/16-18 Shoulder
27	539 11 28-99	9	Nut 5/16-18 Hex Flange Nyloc
28	521 99 65-01	14	Nut 3/8-16 Hex Flange Nyloc
29	585 93 81-01	2	Nut 5/16-18 Acorn
30	873 90 05-00	2	Nut 5/16-18 Hex Flange Lock
31	819 11 11-16	6	Washer 5/16 SAE Flat

ENGINE PLATE



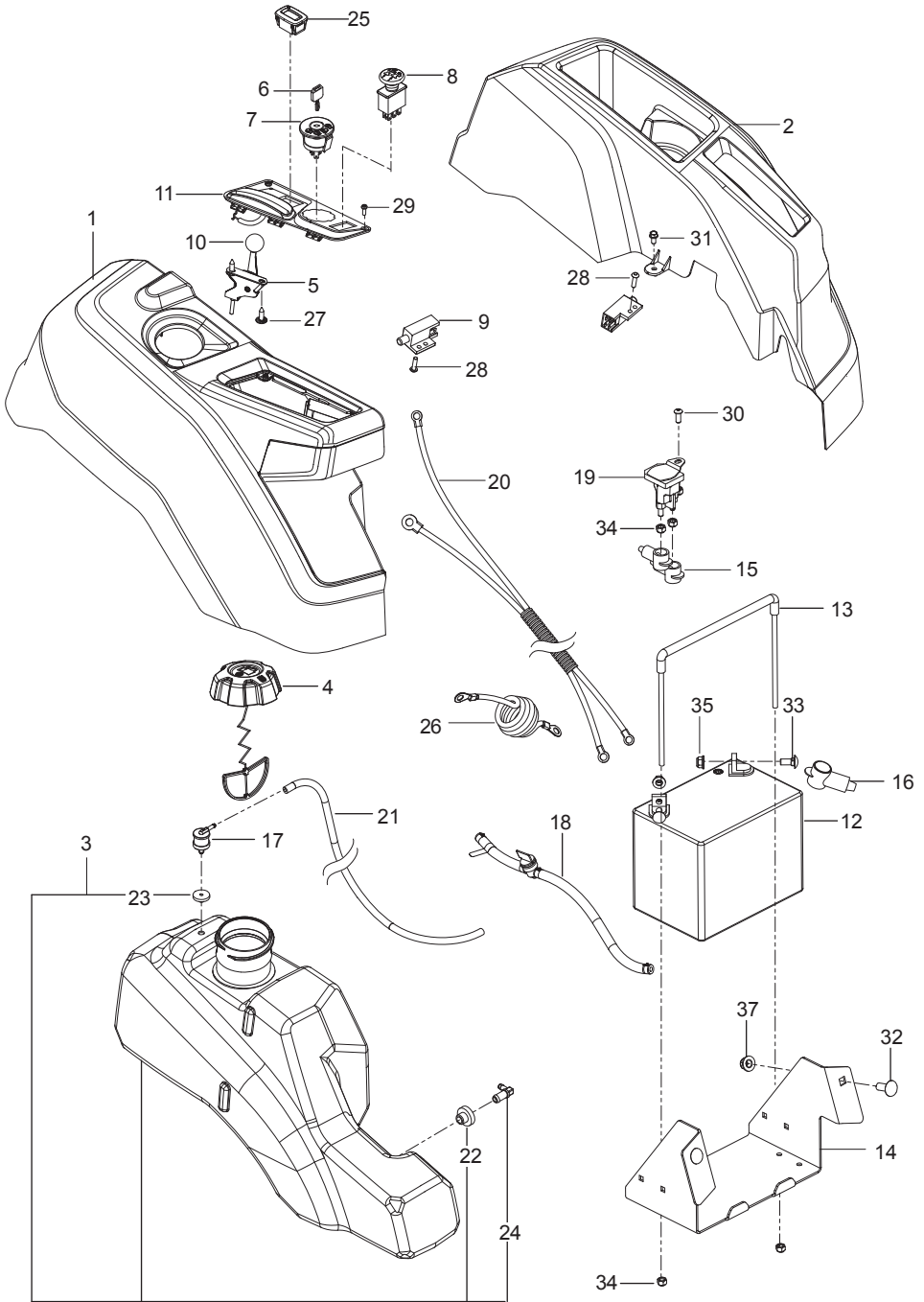
Ref.	Part No.	Qty	Description
1	587 48 07-02	1	Plate, Engine Blk
2	532 40 00-08	1	Clutch
3	581 88 11-01	1	Tube, Exhaust Right
4	581 88 10-01	1	Tube, Exhaust Left
5	581 88 67-02	1	Bracket, Muffler Blk
6	532 44 81-45	1	Arm, Idler
7	539 10 12-31	1	Spindle, Idler
8	539 11 03-11	1	Pulley, Idler
9	587 53 74-01	1	Pulley, Engine
10	587 66 01-01	1	Spacer
11	539 13 28-59	1	Shield, Heat
12	587 63 33-02	1	Stop, Clutch Blk
13	587 45 12-02	1	Guard, Muffler Blk
14	539 13 16-04	1	Muffler Assembly
15	532 19 61-05	1	Spring, Deck Drive
16	532 16 53-91	2	Gasket, Muffler
17	872 14 05-08	2	Bolt 5/16-18 x 3/4 Round Head Square Neck
18	872 14 05-06	2	Bolt 5/16-18 x 1 Round Head Square Neck
19	874 52 06-56	1	Bolt 3/8-16 x 3-1/2 Hex Head
20	581 33 28-03	1	Bolt 7/16-20 x 2-1/2 Hex Head
21	874 78 08-52	1	Bolt 1/2-13 x 3-1/4 Hex Head
22	532 18 39-06	4	Screw, Socket Head
23	817 12 06-16	4	Screw 3/8-16 x 1 Thread Form
24	817 49 05-12	4	Screw 5/16-18 x 3/4 Thread Form
25	539 97 69-79	2	Nut 3/8-16 Hex Nyloc
26	873 80 08-00	1	Nut 1/2-13 Hex Nyloc
27	539 11 28-99	5	Nut 5/16-18 Hex Flange Nyloc
28	532 12 61-97	1	Washer, Clutch
29	819 18 22-12	2	Washer 1/2 Flat
30	819 12 14-14	2	Washer 5/16 Std Flat
31	539 11 26-70	1	Washer, Heavy
	NOT SHOWN		
	-----	1	Engine, Briggs & Stratton 44S777-0016-G1 23 Hp For Engine Replacement Parts, See a B&S Dealer

STEERING



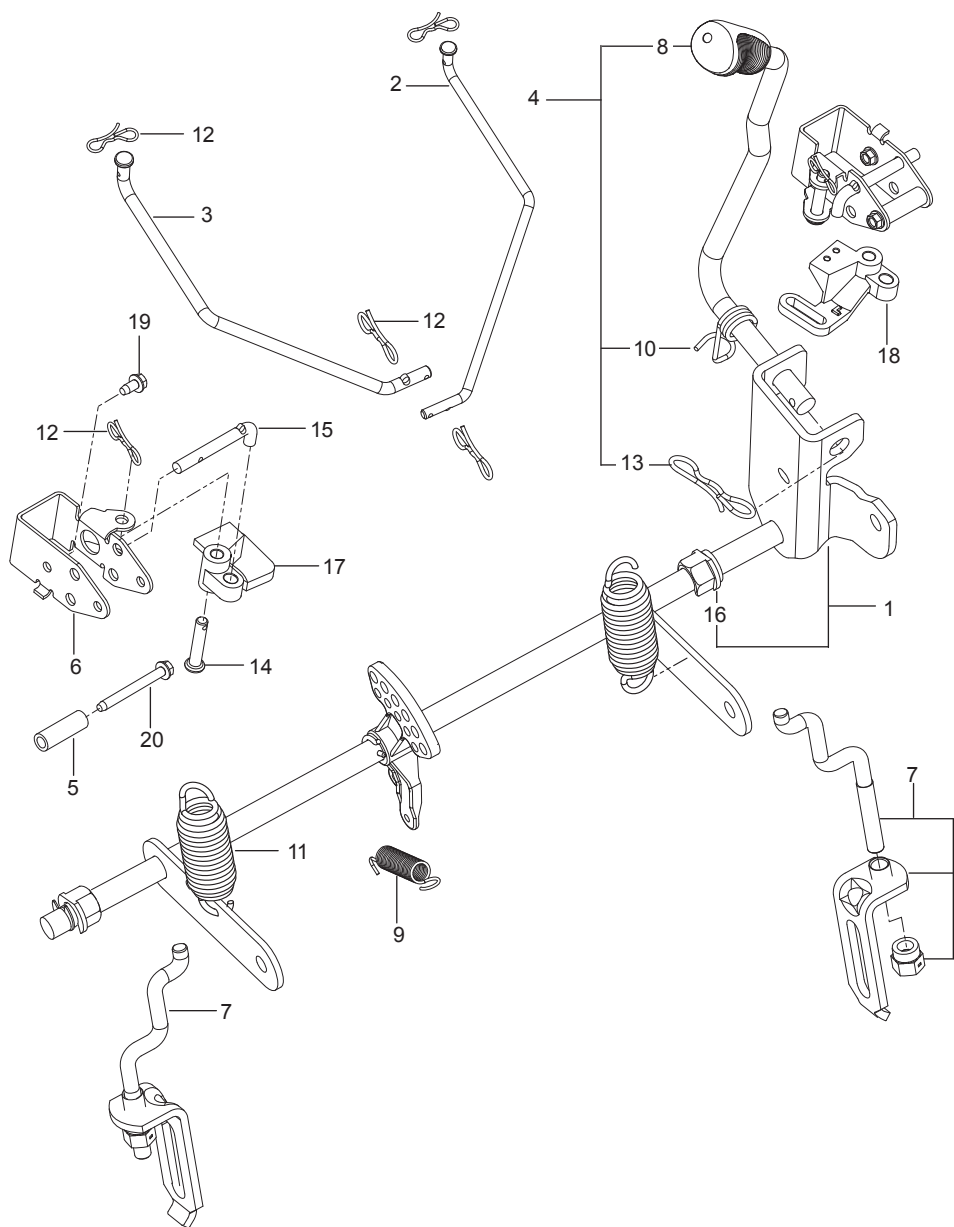
Ref.	Part No.	Qty	Description
1	581 82 67-01	2	Lever w/ Grip
2	525 39 29-01	2	Grip, Foam
3	585 12 47-05	2	Bracket, Control
4	539 13 15-18	4	Bearing, Flanged
5	576 14 03-01	2	Control, Lever
6	587 60 17-02	2	Lever, Handle
7	584 92 72-01	2	Spacer, Pivot Control
8	539 10 27-20	2	Dampener
9	581 43 75-01	2	Block, Tracking
10	585 83 16-01	2	Boot, Steering
11	539 11 66-89	2	Coupler, Rod End
12	585 48 82-02	2	Flange, Boot
13	580 62 42-01	2	Rod, Motion Control
14	539 11 57-29	2	Rod End Rh
15	539 11 66-90	2	Rod End Male Left Hand
16	874 78 05-28	2	Bolt 5/16-18 x 1-3/4 Tap Bolt
17	874 78 08-44	2	Bolt 1/2-13 x 2-3/4
18	874 78 05-16	4	Bolt 5/16-18 x 1 Thread Form
19	585 98 61-01	2	Bolt 5/16-18 x 1-1/4
20	874 49 05-12	8	Bolt Hex Flange 5/16-18 x 3/4
21	576 85 04-02	2	Screw 5/16-18 x 13/4 Button Head
22	585 98 59-01	4	Screw 5/16-18 x 1-1/4 Button Head Blk
23	873 80 05-00	2	Nut 5/16-18 Hex Nyloc
24	539 10 80-10	2	Nut 1/2-13 Hex Jam Nyloc Grade 2
25	539 11 28-99	12	Nut 5/16-18 Hex Flange Nyloc
26	873 70 05-00	2	Nut 5/16-24 Hex Jam Left Hand
27	585 98 60-01	4	Nut 5/16-18 Hex Nyloc Blk
28	539 99 05-85	4	Nut 5/16-18 Hex Whiz Lock
29	539 99 02-23	4	Nut 5/16-24 Hex
30	539 11 56-17	2	Nut 5/16-18 Thin Nyloc
31	586 30 91-01	4	Washer 5/16 SAE Flat Blk
32	819 11 11-16	6	Washer 5/16 SAE Flat
33	587 61 42-01	2	Washer 11/32

IGNITION SYSTEM



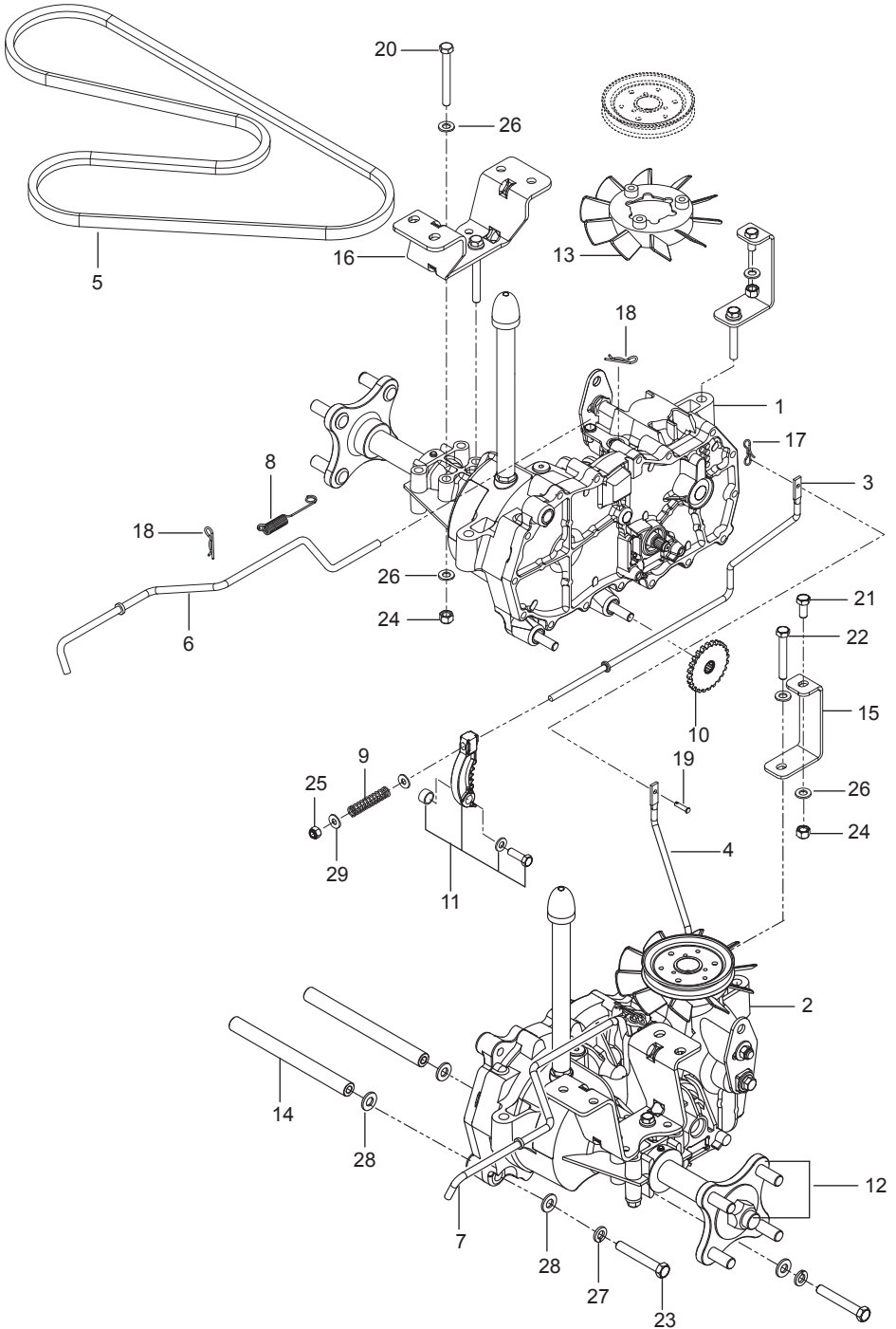
Ref.	Part No.	Qty	Description
1	585 52 28-01	1	Assembly, Fender, Right Gry
2	586 62 12 01	1	Assembly, Fender, Left Gry
3	578 18 06-02	1	Assembly, Fuel Tank
4	585 12 48-01	1	Cap, Fuel w/ Tether
5	539 11 24-38	1	Cable, Throttle
6	532 14 04-01	1	Key, Ignition
7	539 10 75-41	1	Switch, Ignition
8	532 17 46-52	1	Switch, Clutch
9	587 60 15-01	2	Switch, Interlock
10	539 13 30-49	1	Knob
11	585 52 27-03	1	Panel, Control
12	539 10 24-36	1	Battery
13	539 13 12-09	1	Tie Down, Battery
14	585 04 87-02	1	Box, Battery Blk
15	532 13 15-63	3	Terminal Cover
16	539 10 27-59	1	Insulator
17	576 61 81-01	1	Valve, Fuel Check
18	586 12 39-04	1	Assembly, Fuel Line w/ Valve
19	532 19 25-07	1	Solenoid
20	587 19 86-01	1	Harness, Battery Cable
21	587 04 45-23	1	Hose 3/16 x 23" Vapor
22	532 00 36-45	1	Grommet, Rubber
23	532 43 74-92	1	Grommet, Check Valve
24	532 13 92-77	1	Elbow
25	586 16 18-01	1	Meter, Service
26	539 10 33-06	1	Cable, Battery Positive
27	532 14 18-41	2	Screw 10-16 x .65
28	574 82 27-01	2	Screw #10-24 x 3/4 Socket Head
29	545 22 71-01	2	Screw 6-19 x 7/16 Pan Head
30	539 11 12-29	1	Screw 1/4-20 x 5/8 Button Socket Head
31	817 49 04-08	2	Bolt 1/4-20 x 1/2
32	539 99 06-45	2	Bolt 3/8-16 x 1 Round Head Square Neck
33	872 14 05-06	2	Bolt 5/16-18 x 3/4 Round Head Square Neck
34	873 80 04-00	5	Nut 1/4-20 Hex Nyloc
35	539 11 28-99	2	Nut 5/16-18 Flange Nyloc
36	521 99 65-01	2	Nut 3/8-16 Hex Flange Nyloc
	NOT SHOWN		
	586 33 73-01	1	Harness, Wiring
	532 10 97-48	1	Relay, 40A

BRAKE / LIFT



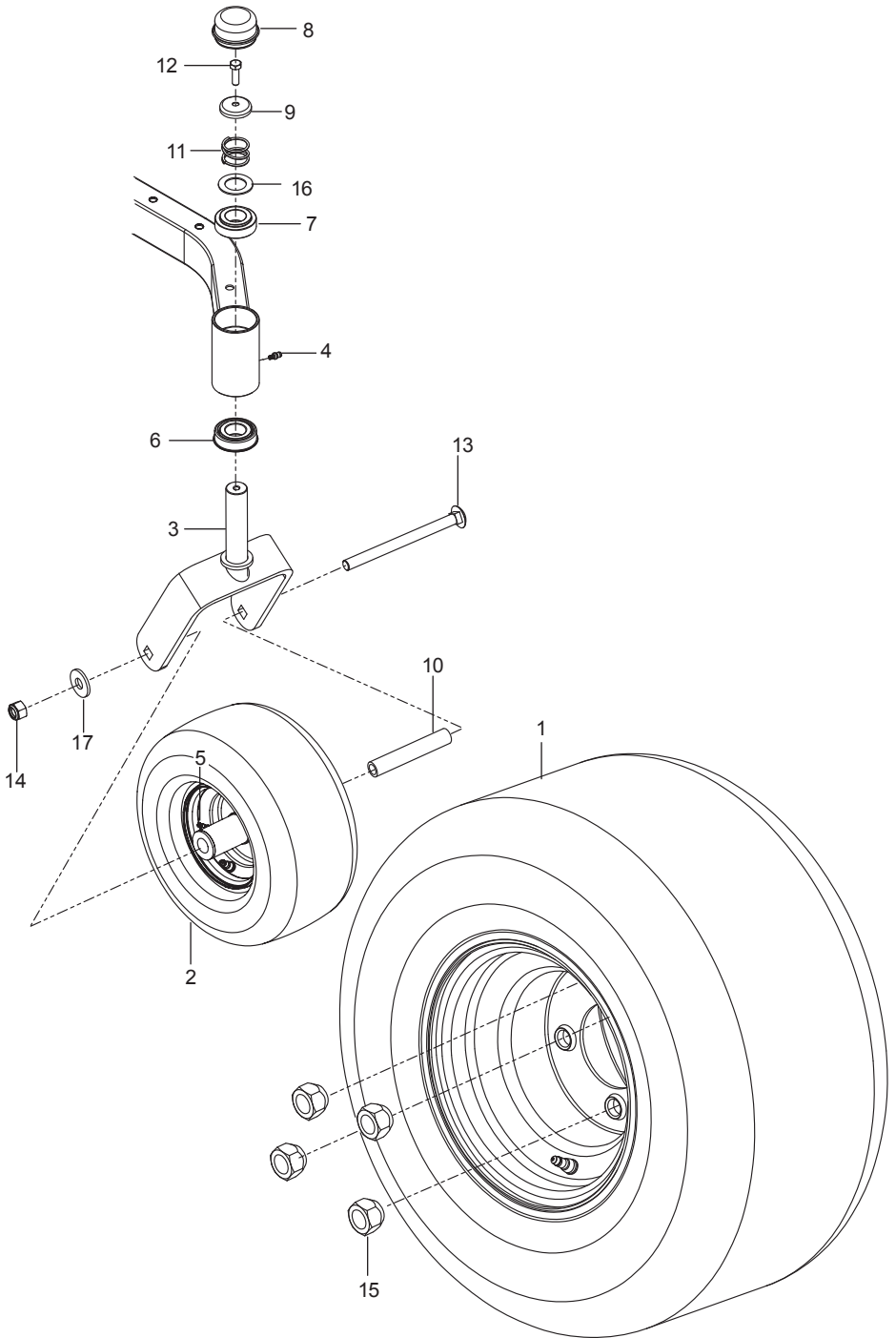
Ref.	Part No.	Qty	Description
1	587 62 31-01	1	Assembly, Shaft w/ Nuts, E-Rings
2	586 45 71-01	1	Link, Brake Left
3	586 45 72-01	1	Link, Brake Right
4	587 62 29-01	1	Assembly, Lift Handle
5	580 48 61-01	2	Spacer
6	585 68 21-01	2	Bracket, Bellcrank
7	587 62 30-01	2	Assembly, Centering Link
8	532 44 50-60	1	Grip, Handle
9	586 86 76-01	1	Spring
10	532 19 63-14	1	Spring
11	539 11 87-62	2	Spring
12	587 22 53-01	6	Clip
13	532 19 42-09	1	Clip
14	585 70 14-01	2	Pin 1/2 Clevis
15	585 68 20-01	2	Push Rod
16	510 18 49-01	2	Nut, Plastic
17	586 45 75-01	1	Bellcrank Right
18	586 45 74-01	1	Bellcrank Left
19	532 13 77-29	2	Screw 1/4-20 x 5/8 Thread Roll
20	586 56 13-01	2	Screw 1/4-20 x 2-1/4 Thread Roll

HYDRAULIC PUMP-MOTOR



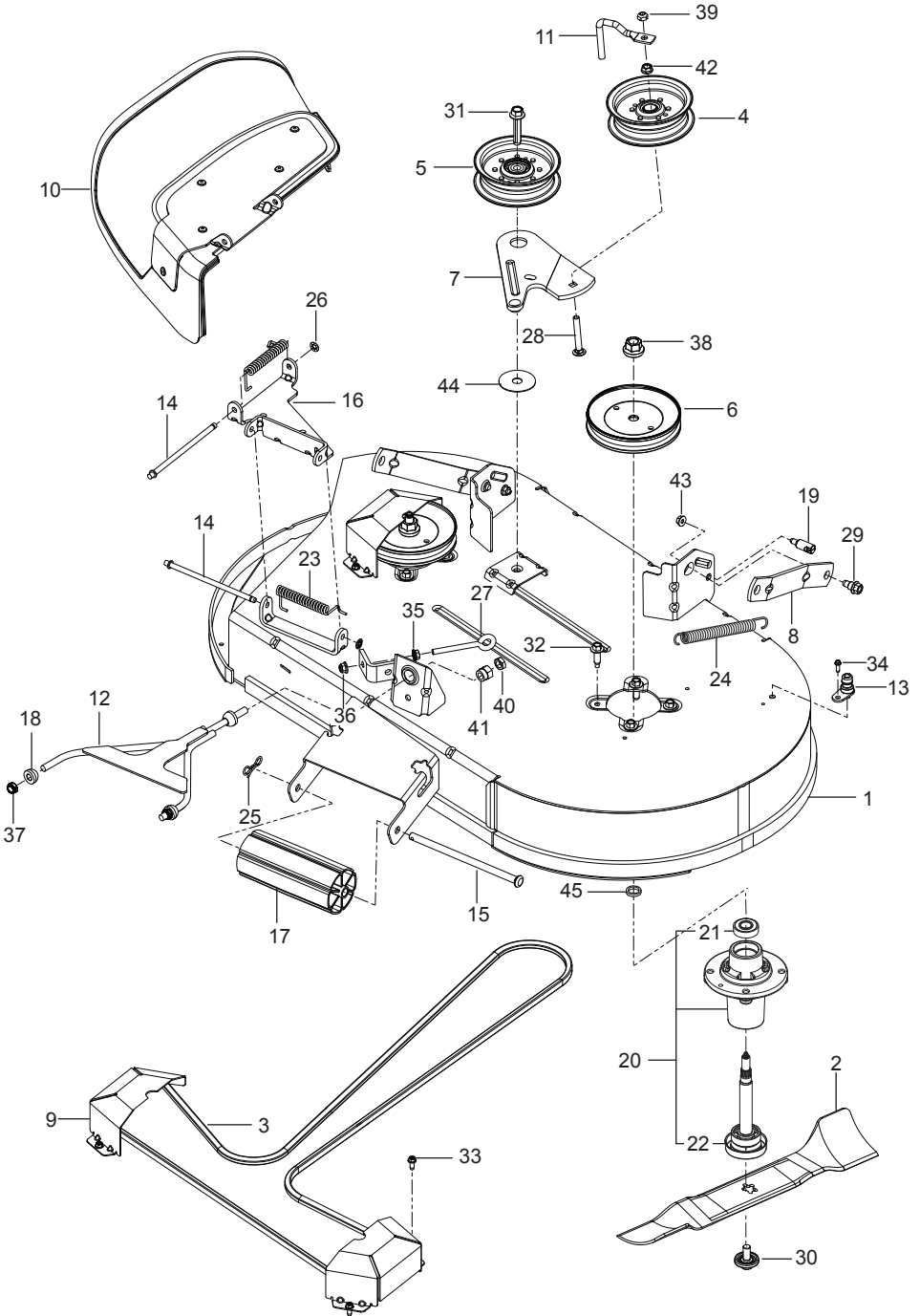
Ref.	Part No.	Qty	Description
1	510 37 56-01	1	EZT, Left
2	510 37 56-02	1	EZT, Right
3	574 03 05-01	1	Rod, EZT Brake Left
4	574 03 05-02	1	Rod, EZT Brake Right
5	539 11 04-11	1	Belt, EZT
6	585 47 44-01	1	Rod, Bypass Left
7	585 47 45-01	1	Rod, Bypass Right
8	586 66 51-01	2	Spring, Bypass
9	539 11 03-42	2	Spring, Brake Rod
10	539 12 00-80	2	Cog, Brake Disc
11	539 12 00-79	2	Assy, Brake Arm
12	575 50 70-01	1	Assy, Hub w/ Nuts
13	539 12 07-85	2	Blade, Fan
14	510 18 41-04	2	Spacer Tube
15	580 80 65-02	2	Support, EZT Front
16	580 80 66-02	2	Mount, EZT Rear Blk
17	587 22 53-01	1	Clip
18	539 97 69-88	4	Clip
19	587 11 53-01	1	Pin, Clevis
20	874 78 05-44	4	Bolt 5/16-18 x 2-3/4
21	874 78 05-12	2	Bolt 5/16-18 x 3/4
22	874 78 05-36	2	Bolt 5/16-18 x 2-1/4
23	874 78 06-40	4	Bolt 3/8-16 x 2-1/2
24	873 80 05-00	8	Nut 5/16-18 Hex Nyloc
25	873 80 04-00	2	Nut 1/4-20 Hex Nyloc
26	819 11 11-16	16	Washer 5/16 SAE Flat
27	810 03 06-00	4	Washer 3/8 Split Lock
28	819 13 13-16	8	Washer 3/8 SAE Flat
29	819 09 10-16	4	Washer 1/4 SAE Flat

WHEELS & TIRES



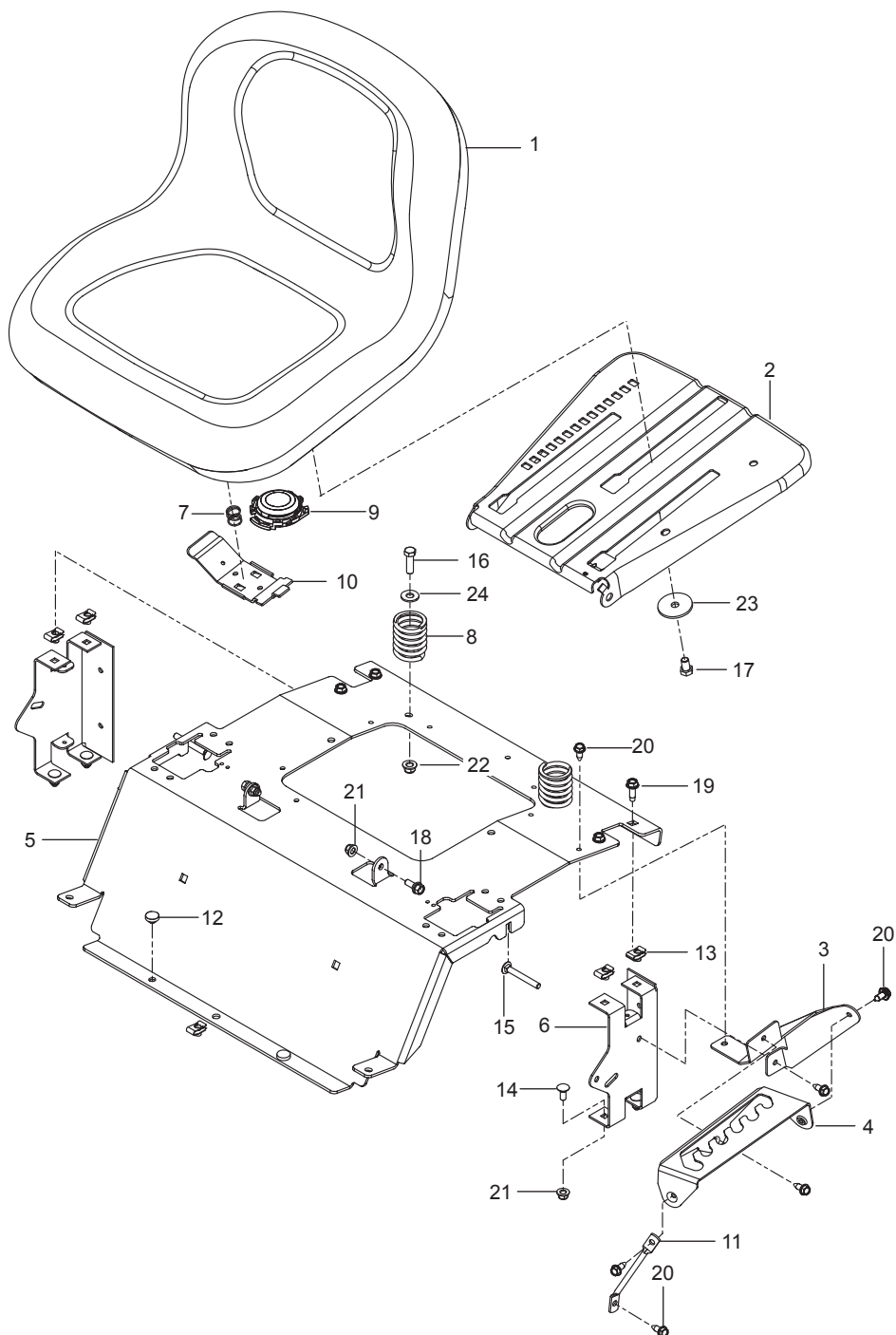
Ref.	Part No.	Qty	Description
1	579 75 34-01	2	Assy, Wheel Rear 18 x 9.5
2	576 58 86-02	2	Wheel Assy Caster 11 x 6.5
3	576 58 88-01	2	Yoke Org
4	539 11 56-38	2	Zerk 3/16 Drive
5	539 10 33-00	2	Zerk
6	539 11 26-60	2	Bearing, Flanged
7	539 11 79-01	2	Bushing, Caster
8	539 10 25-35	2	Grease Cap
9	539 11 57-49	2	Plug, Caster
10	576 58 89-01	2	Spacer, Pivot
11	539 11 57-47	2	Spring, Caster
12	874 95 05-16	2	Bolt, Hex 5/16-18 x 1 Nyloc
13	576 60 15-01	2	Bolt 1/2-13 x 7 Round Head Square Neck
14	873 93 08-00	2	Nut 1/2-13 Hex Center Lock
15	539 10 11-73	8	Nut 1/2 Lug
16	539 11 56-75	2	Washer
17	819 18 22-12	2	Washer 9/16

MOWER DECK / CUTTING DECK



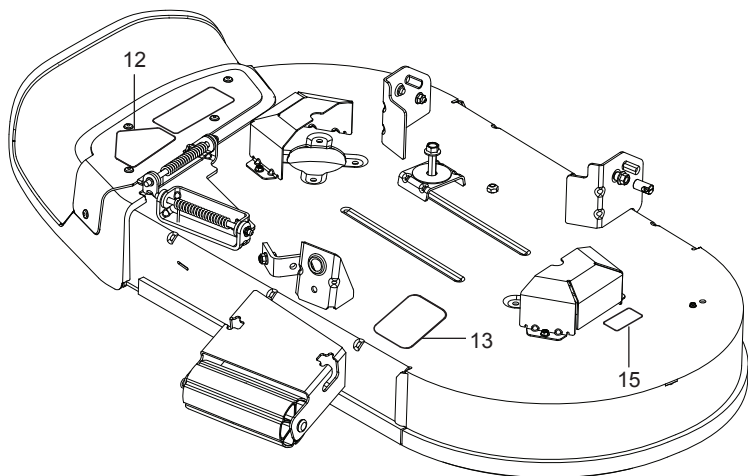
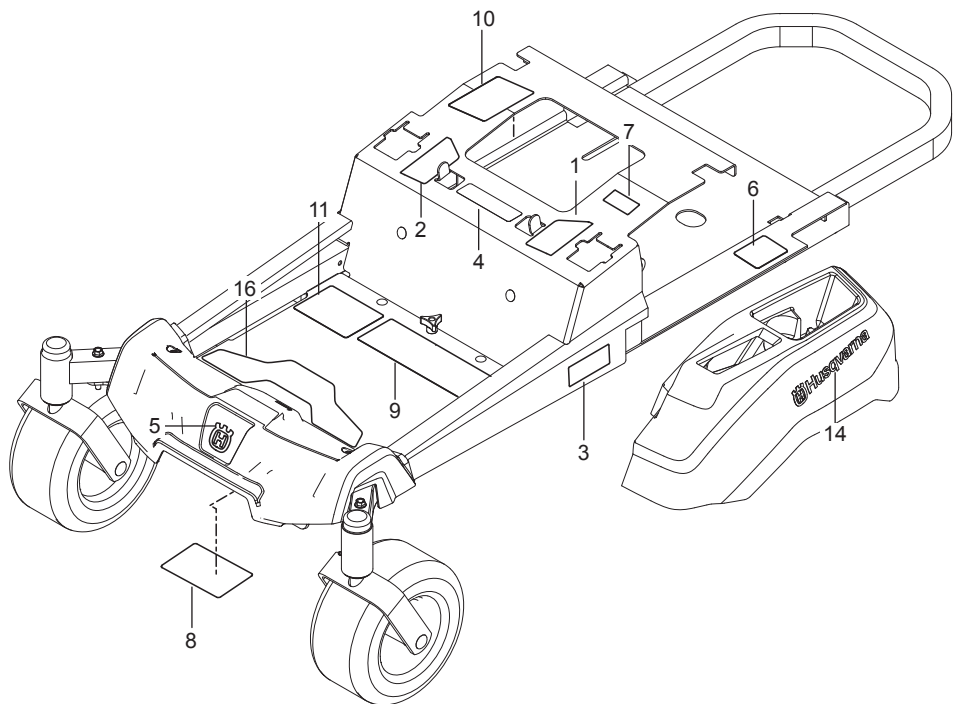
Ref.	Part No.	Qty	Description
1	586 97 94-02	1	Deck
2	586 91 81-01	2	Blade, Bagging
3	587 27 00-01	1	Belt
4	532 19 61-06	1	Pulley, Idler
5	532 19 61-04	1	Pulley, Idler
6	532 19 97-91	2	Pulley, Mandrel
7	586 87 40-02	1	Arm, Clutch Blk
8	587 14 05-02	2	Arm, Suspension Blk
9	586 93 68-02	2	Cover, Belt Org
10	587 30 57-01	1	Assy, Deflector Org
11	532 19 84-68	1	Keeper, Belt
12	587 25 63-02	1	Link, Front
13	532 41 55-98	1	Port, Washout
14	532 13 14-91	2	Rod, Hinge
15	532 17 91-27	1	Rod, Nose Roller
16	586 91 80-02	1	Bracket, Hinge Org
17	532 17 60-66	1	Roller, Nose
18	532 19 52-63	3	Bushing, Pivot
19	532 19 51-61	2	Stud w/ Anti-Rotate
20	539 11 21-70	2	Mandrel
21	532 11 04-85	1	Bearing, Ball
22	532 18 72-91	1	Shaft, Mandrel
23	587 35 47-01	2	Spring, Deflector
24	532 19 72-51	1	Spring, Drive
25	532 19 42-08	1	Pin 5/16 Cotter
26	532 11 04-52	2	Push Nut
27	539 11 55-74	1	Eyebolt 5/16 x 3-1/2
28	872 14 06-20	1	Bolt 3/8-16 x 2-1/2 Round Head Square Neck
29	532 19 65-39	2	Bolt, Shoulder
30	532 19 30-03	2	Bolt/Washer 7/16-20
31	587 33 33-01	1	Screw 7/16-14 x 2 Hex Washer Head
32	532 17 39-84	8	Screw 5/16-18 x 1 Thread Roll
33	532 13 77-29	4	Screw 1/4-20 x 5/8 Thread Roll
34	532 15 29-27	1	Screw #10-32 Flange
35	539 99 05-85	1	Nut 5/16-18 Hex Whiz Lock
36	539 11 28-99	1	Nut 5/16-18 Hex Flange Nyloc
37	573 97 52-01	2	Nut 7/16-20 Hex Nyloc
38	539 10 75-90	2	Nut 9/16 Top Center Lock
39	873 68 06-00	1	Nut 3/8-16 Crown Lock
40	873 36 07-00	1	Nut 7/16-20 Hex Jam
41	532 17 59-94	1	Nut 7/16-20 Lift Link
42	873 90 06-00	2	Nut 3/8-16 Flange Lock
43	873 90 05-00	2	Nut 5/16-18 Hex Flange Lock
44	532 17 85-15	1	Washer, Flat Hardened
45	532 18 76-90	2	Washer, Spacer
46	539 11 91-24	1	Nut 7/16-14 Hex Nyloc
47	819 14 16-14	3	Washer 3/8 Flat Std
48	539 10 48-64	3	Washer 7/16 Flat
49	819 11 11-16	12	Washer 5/16 SAE Flat
50	819 13 13-16	4	Washer 16 Gauge
51	819 21 21-13	2	Washer 1/2 Flat

SEAT



Ref.	Part No.	Qty	Description
1	532 43 98-22	1	Seat
2	532 19 69-77	1	Pan, Seat
3	586 22 08-02	1	Plate, Lift Support
4	586 22 12-02	1	Plate, Deck Lift
5	577 26 05-03	1	Support, Seat Org
6	580 30 82-02	2	Support, Seat Rear Blk
7	532 19 82-00	1	Spring, Latch
8	532 12 41-81	2	Spring, Seat
9	532 40 15-45	1	Switch, Seat
10	532 19 76-61	1	Handle, Slide
11	586 42 86-01	1	Leg, Support
12	585 98 93-01	2	Grommet, Bumper
13	539 10 47-63	5	Retainer, U Type
14	872 14 05-06	4	Bolt 5/16-18 x 3/4 Round Head Square Neck
15	510 42 27-01	2	Bolt 5/16-18 x 2-1/2 Round Head Square Neck
16	874 78 06-20	2	Bolt 3/8-16 x 1-1/4
17	874 78 06-10	1	Bolt 3/8-16 x 5/8
18	539 11 03-03	2	Bolt 5/16-18 Shoulder
19	817 49 05-12	4	Screw 5/16-18 x 3/4 Thread Form
20	817 00 05-10	6	Screw 5/16-18 x 5/8 Washer Head
21	539 11 28-99	4	Nut 5/16-18 Hex Flange Nyloc
22	521 99 65-01	2	Nut 3/8-16 Hex Flange Nyloc
23	539 11 18-97	1	Washer 3/8 Special
24	819 14 16-14	2	Washer 3/8 Std Flat

DECALS



Ref.	Part No.	Qty	Description
1	587 59 56-01	1	Decal, Steer / Brake Lt
2	587 59 55-01	1	Decal, Steer / Brake Rt
3	587 76 92-01	2	Decal, Z 242F
4	539 10 57-45	1	Decal, Battery Warning
5	532 42 86-77	1	Decal, Crown
6	539 10 83-85	1	Decal, Do Not Tow
7	539 10 83-86	1	Decal, Exit Mower
8	539 10 98-97	1	Decal, Service
9	583 93 40-01	1	Decal, Global Warnings
10	539 11 05-22	1	Decal, Responsibility
11	588 03 50-01	1	Decal, Start
12	586 97 88-01	1	Decal, Deflector
13	581 58 00-01	1	Decal, Belt Routing
14	577 46 90-01	2	Decal, Husqvarna
15	581 72 43-01	1	Decal, No Step
16	587 00 07-01	1	Pad, Abrasive

www.husqvarna.com

114 03-20 Rev A
2015-08-01