



Parts Manual
Zero Turn Mower / Z 254
967324303-00

Please read the operator manual carefully and make sure you understand the instructions before using the machine.



When you need spare parts or support in service questions, warranty issues, etc., please consult the following professional:

| | | |
|---|--------|--------------|
| | | |
| This manual belongs to the machine with the manufacturing number: | Engine | Transmission |

Manufacturing Number

The machine's manufacturing number can be found on the printed plate affixed to the engine compartment.

Stated on the plate, from the top are:

- The machine's type designation (I.D.).
- The manufacturer's type number (Model).
- The machine's serial number (Serial no.)

Please have the type designation and serial number available when ordering spare parts.

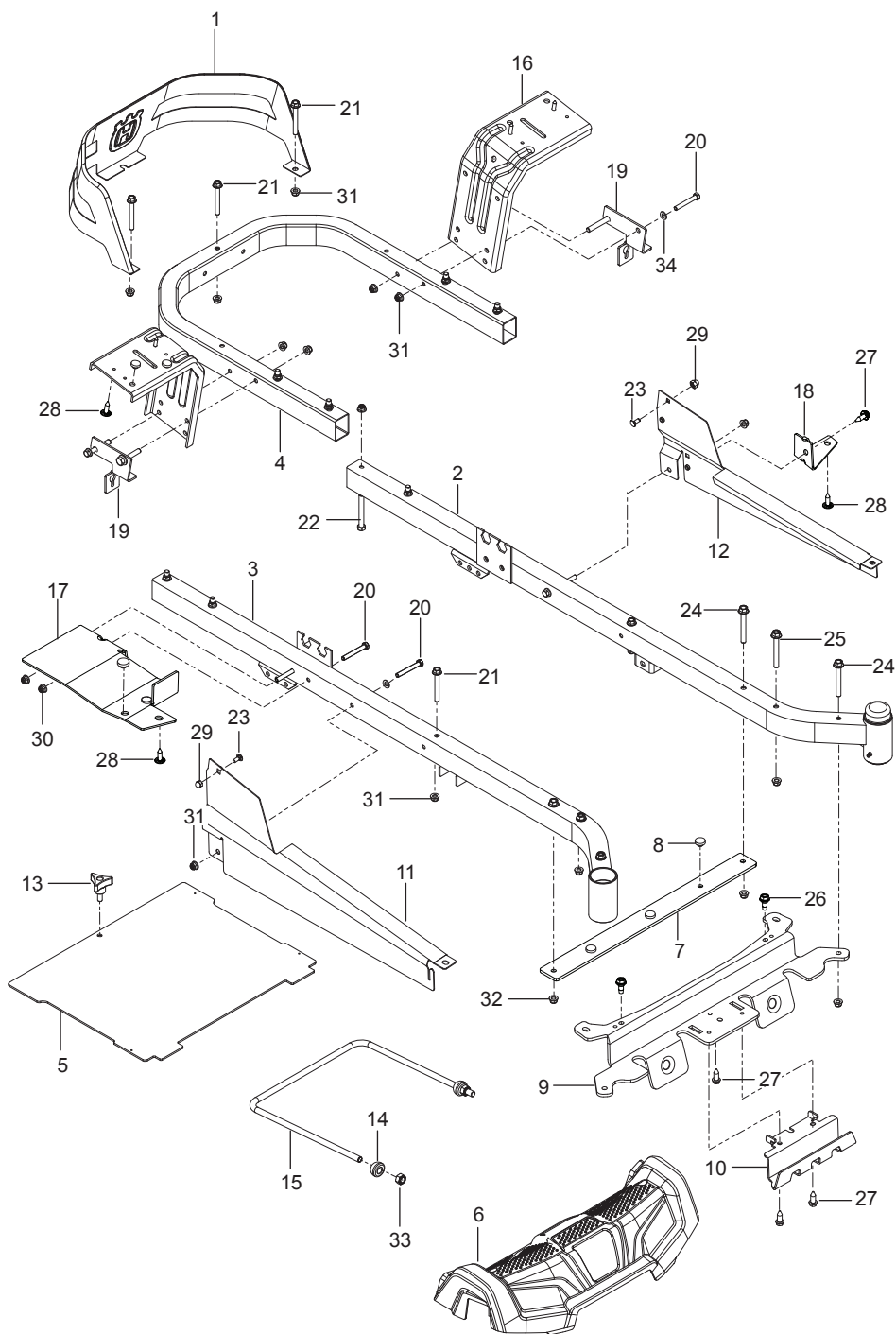
CONTENTS

| | |
|---|----|
| FRAME | 4 |
| ENGINE MOUNTING, GUARDS & MUFFLER | 6 |
| STEERING | 8 |
| IGNITION SYSTEM..... | 10 |
| BRAKE / LIFT | 12 |
| HYDRAULIC PUMP-MOTOR..... | 14 |
| WHEELS & TIRES | 16 |
| MOWER DECK / CUTTING DECK | 18 |
| SEAT | 20 |
| DECALS | 22 |

Illustrations may or may not represent the actual assemblies and it is not recommended to use this manual as a guide to assemble or disassemble the mower.

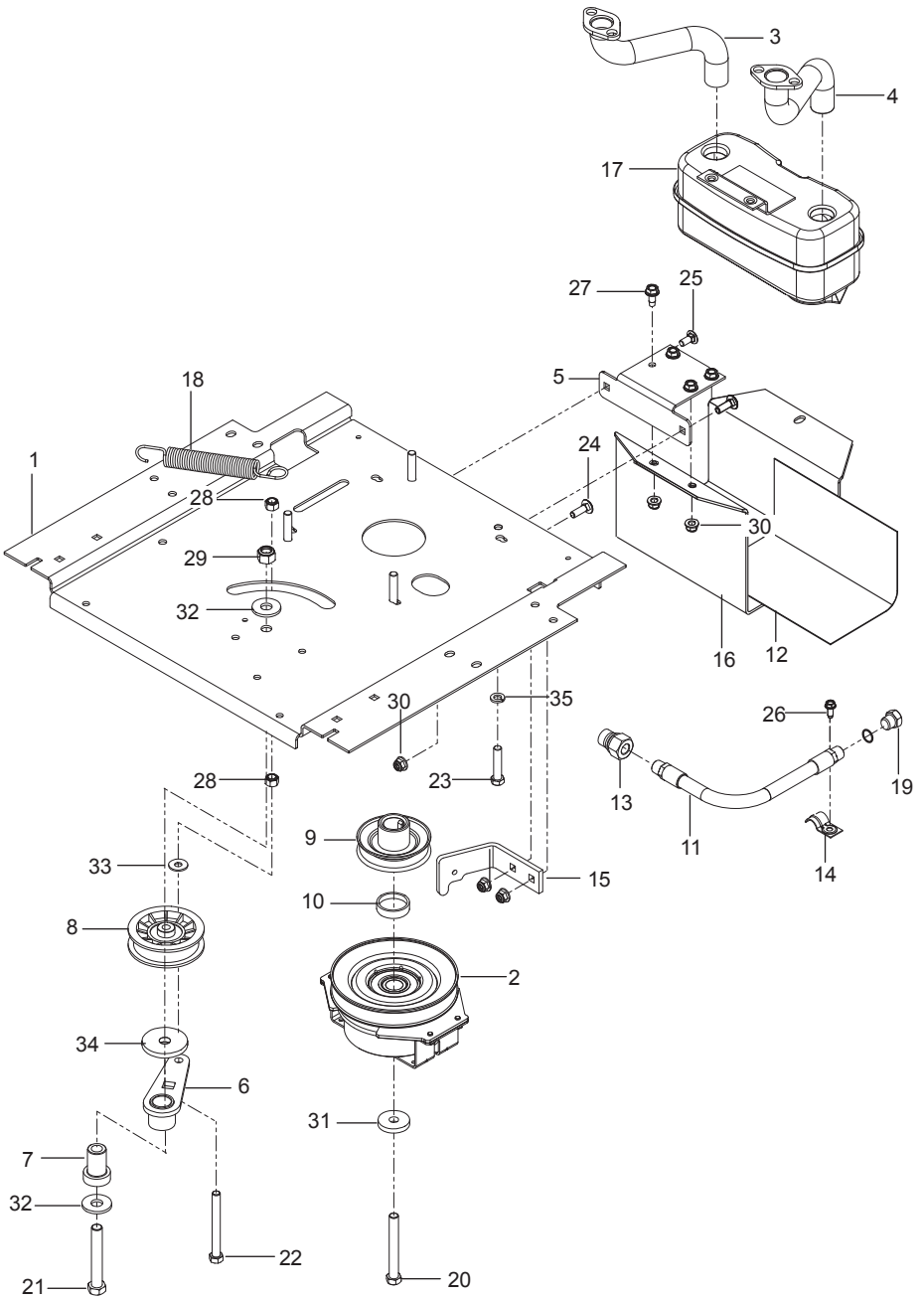
NOTE: All fasteners are Grade 5 unless otherwise specified.

FRAME



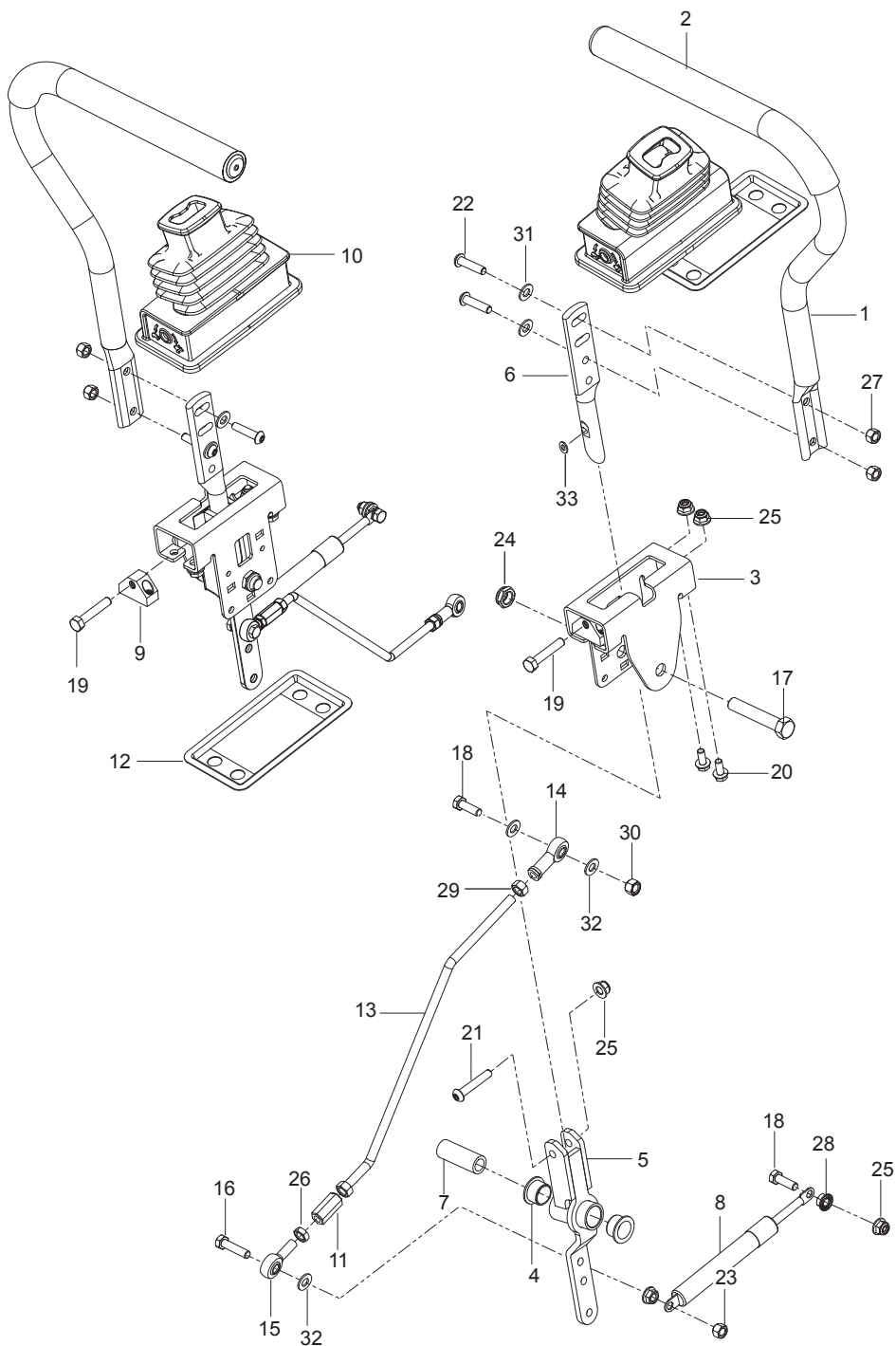
| Ref. | Part No. | Qty | Description |
|------|--------------|-----|---------------------------------|
| 1 | 585 03 98-02 | 1 | Guard, Rear Blk |
| 2 | 510 17 75-03 | 1 | Frame, Front Right Org |
| 3 | 510 17 74-03 | 1 | Frame, Front Left Org |
| 4 | 584 99 10-02 | 1 | Frame, Rear Tube Org |
| 5 | 522 84 29-02 | 1 | Foot Plate w/ Safety Decal |
| 6 | 585 52 24-01 | 1 | Cover, Footrest |
| 7 | 585 52 30-04 | 1 | Support, Footrest |
| 8 | 585 98 93-01 | 7 | Grommet, Bumper |
| 9 | 585 52 31-04 | 1 | Cross Member |
| 10 | 585 52 32-04 | 1 | Plate, Skid Silv |
| 11 | 585 33 16-02 | 1 | Cover, Rail Right |
| 12 | 585 33 15-02 | 1 | Cover, Rail Left |
| 13 | 539 10 44-11 | 1 | Knob w/ Stud |
| 14 | 532 19 52-63 | 2 | Bushing, Pivot |
| 15 | 521 93 81-01 | 1 | Link, Front Suspension |
| 16 | 580 50 13-02 | 2 | Support, Fender Blk |
| 17 | 585 52 34-04 | 1 | Support, Console Right |
| 18 | 585 52 36-04 | 1 | Support, Console Left |
| 19 | 585 47 43-02 | 2 | Bracket, Bypass Rod |
| 20 | 874 78 05-36 | 8 | Bolt 5/16-18 x 2-1/4 |
| 21 | 874 49 05-44 | 5 | Bolt 5/16-18 x 2-3/4 |
| 22 | 874 78 06-48 | 8 | Bolt 3/8-16 x 3 |
| 23 | 585 94 00-01 | 2 | Bolt 5/16-18 x 1 Carriage |
| 24 | 577 11 77-01 | 4 | Bolt 3/8-16 x 3 |
| 25 | 586 65 43-01 | 2 | Bolt 3/8-16 x 3 Shoulder |
| 26 | 586 88 11-01 | 2 | Bolt 5/16-18 Shoulder |
| 27 | 817 00 05-10 | 4 | Screw 5/16-18 x 5/8 Washer Head |
| 28 | 532 41 63-58 | 6 | Screw #10-24 x 3/4 Hex Head |
| 29 | 585 93 81-01 | 2 | Nut 5/16-18 Acorn |
| 30 | 873 90 05-00 | 2 | Nut 5/16-18 Hex Flange Lock |
| 31 | 539 11 28-99 | 9 | Nut 5/16-18 Hex Flange Nyloc |
| 32 | 521 99 65-01 | 8 | Nut 3/8-16 Hex Flange Nyloc |
| 33 | 539 11 91-24 | 2 | Nut 7/16-14 Hex Nyloc |
| 34 | 819 11 11-16 | 6 | Washer 5/16 Sae Flat |

ENGINE MOUNTING, GUARDS & MUFFLER



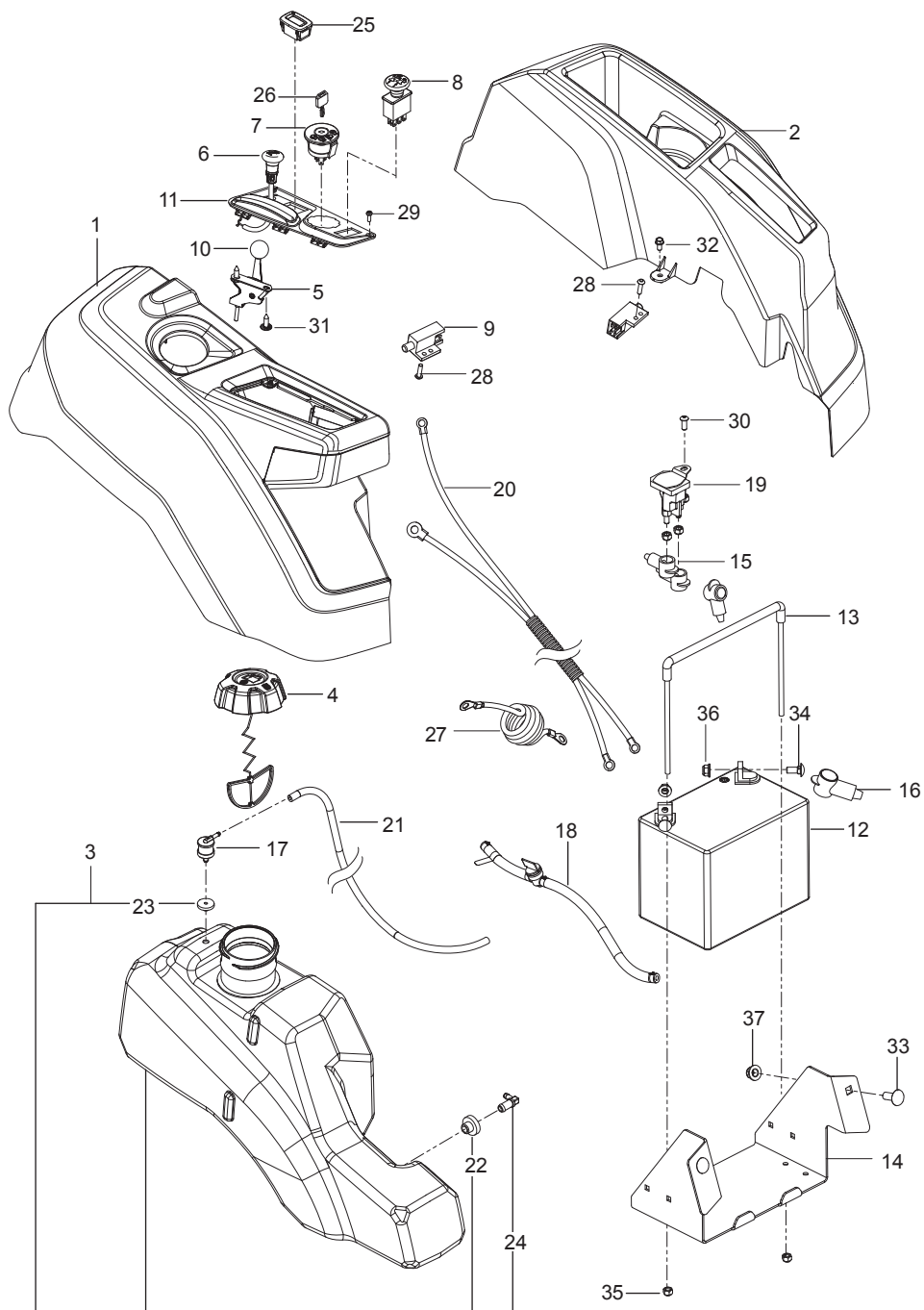
| Ref. | Part No. | Qty | Description |
|------|--------------|-----|---|
| 1 | 588 01 71-02 | 1 | Plate, Engine Blk |
| 2 | 587 24 16-01 | 1 | Clutch |
| 3 | 583 95 57-01 | 1 | Tube, Exhaust Right |
| 4 | 583 95 56-01 | 1 | Tube, Exhaust Left |
| 5 | 581 88 67-02 | 1 | Bracket, Muffler Blk |
| 6 | 532 44 81-45 | 1 | Arm, Idler |
| 7 | 539 10 12-31 | 1 | Spindle, Idler |
| 8 | 539 11 03-11 | 1 | Pulley, Idler |
| 9 | 587 53 74-01 | 1 | Pulley, Engine |
| 10 | 587 66 01-01 | 1 | Spacer |
| 11 | 584 82 55-01 | 1 | Hose, Drain |
| 12 | 539 13 28-59 | 1 | Shield, Muffler |
| 13 | 522 59 90-01 | 1 | Adapter, Oil Drain |
| 14 | 539 10 13-63 | 1 | Clamp |
| 15 | 587 63 33-02 | 1 | Stop, Clutch Blk |
| 16 | 587 45 12-02 | 1 | Guard, Muffler Blk |
| 17 | 539 13 16-04 | 1 | Muffler Assembly |
| 18 | 532 19 61-05 | 1 | Spring, Deck Drive |
| 19 | 585 80 71-01 | 1 | Plug, Hose |
| 20 | 581 33 28-03 | 1 | Bolt 7/16-20 x 2-1/2 |
| 21 | 874 78 08-52 | 1 | Bolt 1/2-13 x 3-1/4 |
| 22 | 874 52 06-56 | 1 | Bolt 3/8-16 x 3-1/2 |
| 23 | 539 97 69-49 | 4 | Bolt 3/8-16 x 1-3/4 |
| 24 | 872 14 05-06 | 2 | Bolt 5/16-18 x 1 Round Head Square Neck |
| 25 | 872 14 05-08 | 2 | Bolt 5/16-18 x 3/4 Round Head Square Neck |
| 26 | 817 49 04-10 | 1 | Screw 1/4-20 x 5/8 Thread Form |
| 27 | 817 49 05-12 | 4 | Screw 5/16-18 x 3/4 Thread Form |
| 28 | 539 97 69-79 | 2 | Nut 3/8-16 Hex Nyloc |
| 29 | 873 80 08-00 | 1 | Nut 1/2-13 Hex Nyloc |
| 30 | 539 11 28-99 | 5 | Nut 5/16-18 Hex Flange Nyloc |
| 31 | 532 12 61-97 | 1 | Washer, Clutch |
| 32 | 819 18 22-12 | 2 | Washer 1/2 Flat |
| 33 | 819 12 14-14 | 2 | Washer 5/16 Std Flat |
| 34 | 539 11 26-70 | 1 | Washer, Heavy |
| 35 | 810 03 06-00 | 4 | Washer 3/8 Splt Lock |
| | NOT SHOWN | | |
| | 522 59 86-01 | 1 | Pigtail |
| | ----- | 1 | Engine, Kawasaki FR730V 24 Hp For Engine Replacement Parts, See a Kawasaki Dealer |

STEERING



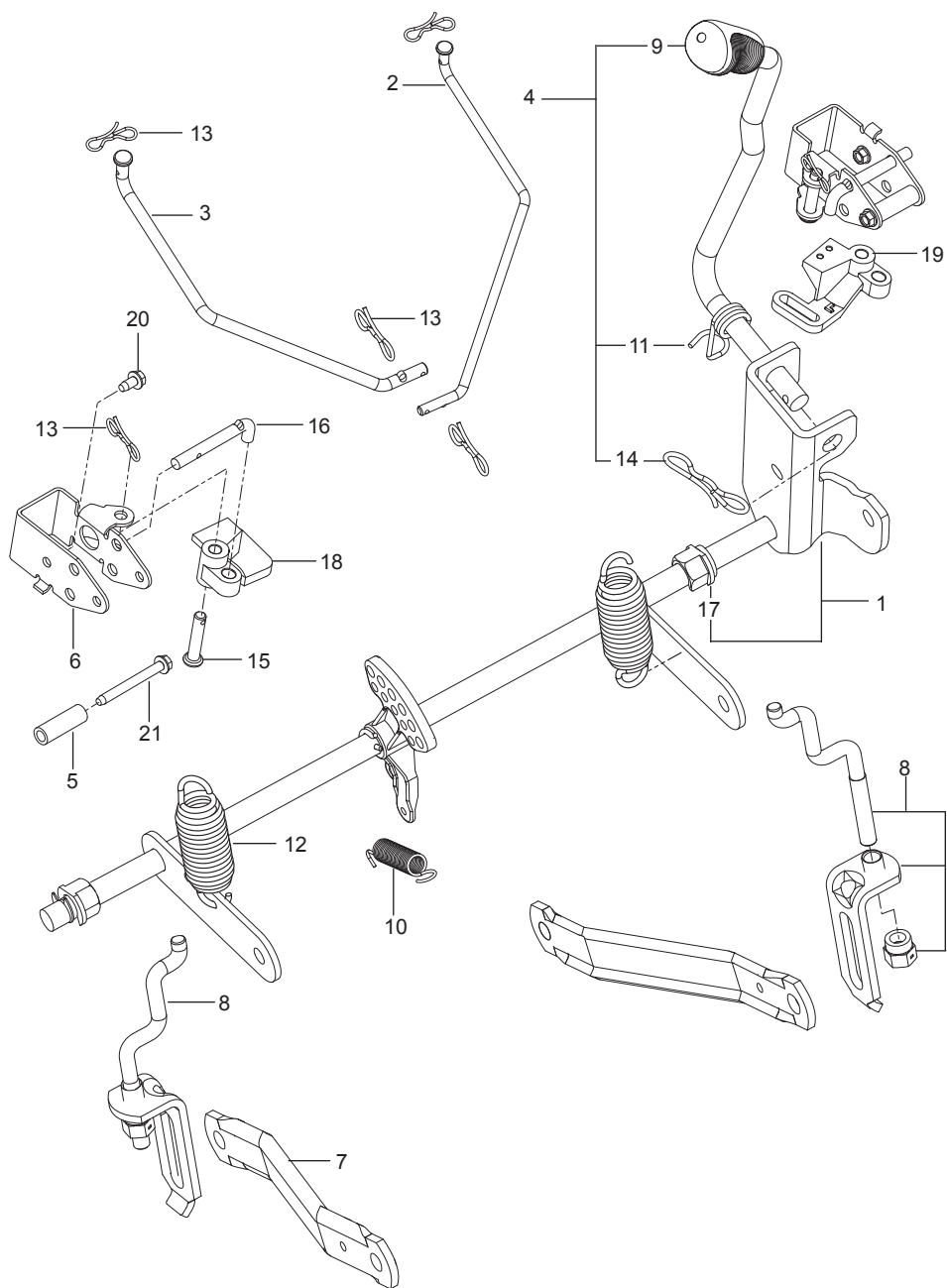
| Ref. | Part No. | Qty | Description |
|------|--------------|-----|---------------------------------------|
| 1 | 581 82 67-01 | 2 | Lever w/ Grip |
| 2 | 525 39 29-01 | 2 | Grip, Foam |
| 3 | 585 12 47-05 | 2 | Bracket, Control |
| 4 | 539 13 15-18 | 4 | Bearing, Flanged |
| 5 | 576 14 03-01 | 2 | Control, Lever |
| 6 | 587 60 17-02 | 2 | Lever, Handle |
| 7 | 584 92 72-01 | 2 | Spacer, Pivot Control |
| 8 | 539 10 27-20 | 2 | Dampener |
| 9 | 581 43 75-01 | 2 | Block, Tracking |
| 10 | 585 83 16-01 | 2 | Boot, Steering |
| 11 | 539 11 66-89 | 2 | Coupler, Rod End |
| 12 | 585 48 82-02 | 2 | Flange, Boot |
| 13 | 580 62 42-01 | 2 | Rod, Motion Control |
| 14 | 539 11 57-29 | 2 | Rod End Rh |
| 15 | 539 11 66-90 | 2 | Rod End Male Lh |
| 16 | 874 78 05-28 | 2 | Bolt 5/16-18 x 1-3/4 Tap Bolt |
| 17 | 874 78 08-44 | 2 | Bolt 1/2-13 x 2-3/4 |
| 18 | 874 78 05-16 | 4 | Bolt 5/16-18 x 1 Thread Form |
| 19 | 585 98 61-01 | 2 | Bolt 5/16-18 x 1-1/4 |
| 20 | 874 49 05-12 | 8 | Bolt Hex Flange 5/16-18 x 3/4 |
| 21 | 576 85 04-02 | 2 | Screw 5/16-18 x 13/4 Button Head |
| 22 | 585 98 59-01 | 4 | Screw 5/16-18 x 1-1/4 Button Head Blk |
| 23 | 873 80 05-00 | 2 | Nut 5/16-18 Hex Nyloc |
| 24 | 539 10 80-10 | 2 | Nut 1/2-13 Hex Jam Nyloc Grade 2 |
| 25 | 539 11 28-99 | 12 | Nut 5/16-18 Hex Flange Nyloc |
| 26 | 873 70 05-00 | 2 | Nut 5/16-24 Hex Jam Left Hand |
| 27 | 585 98 60-01 | 4 | Nut 5/16-18 Hex Nyloc Blk |
| 28 | 539 99 05-85 | 4 | Nut 5/16-18 Hex Whiz Lock |
| 29 | 539 99 02-23 | 4 | Nut 5/16-24 Hex |
| 30 | 539 11 56-17 | 2 | Nut 5/16-18 Thin Nyloc |
| 31 | 586 30 91-01 | 4 | Washer 5/16 SAE Flat Blk |
| 32 | 819 11 11-16 | 6 | Washer 5/16 SAE Flat |
| 33 | 587 61 42-01 | 2 | Washer 11/32 |

IGNITION SYSTEM



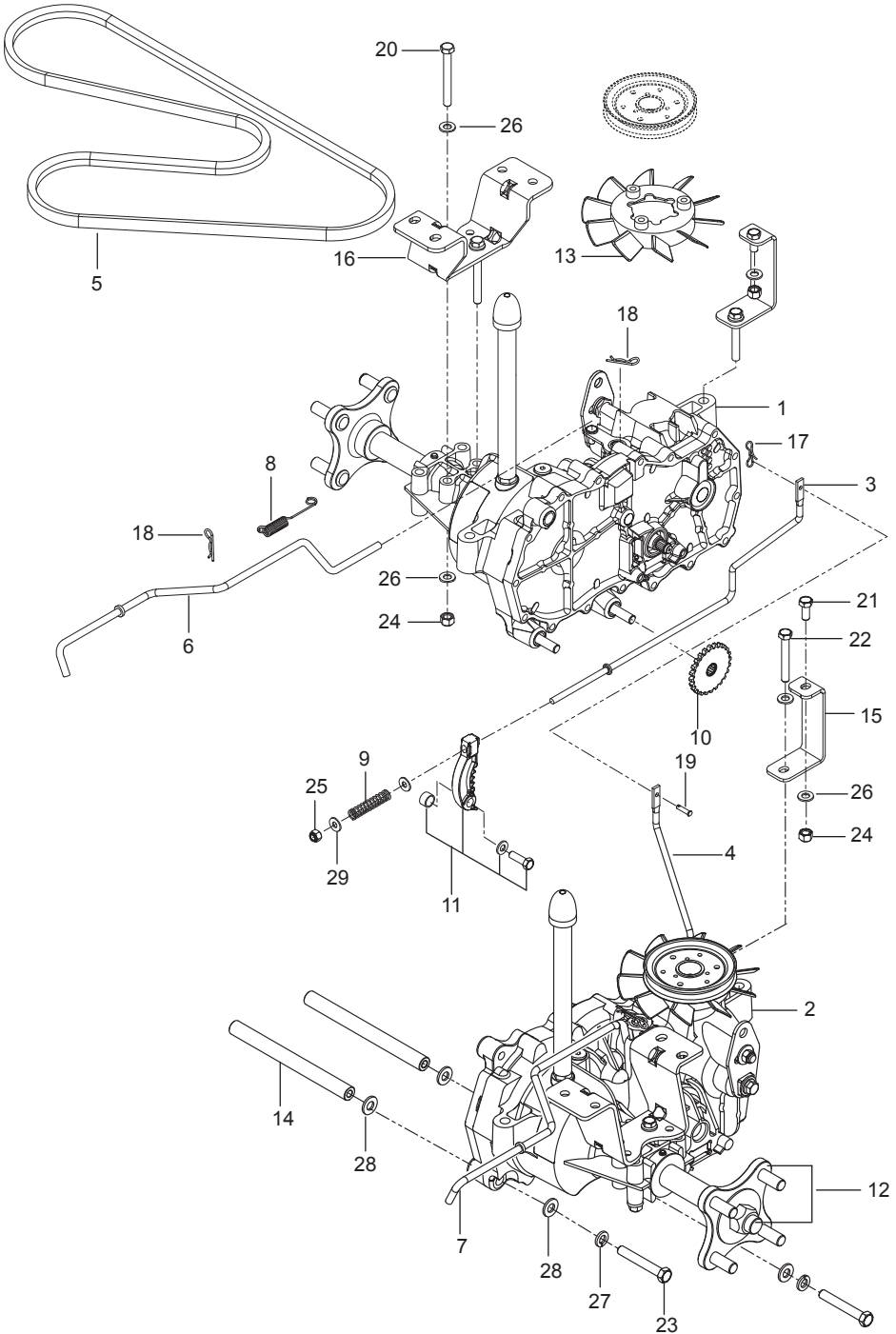
| Ref. | Part No. | Qty | Description |
|------|--------------|-----|---|
| 1 | 585 52 28-01 | 1 | Assembly, Fender, Right Gry |
| 2 | 586 62 12 01 | 1 | Assembly, Fender, Left Gry |
| 3 | 578 18 06-02 | 1 | Assembly, Fuel Tank |
| 4 | 585 12 48-01 | 1 | Cap, Fuel w/ Tether |
| 5 | 539 11 24-38 | 1 | Cable, Throttle |
| 6 | 586 88 15-02 | 1 | Control, Choke |
| 7 | 539 10 75-41 | 1 | Switch, Ignition |
| 8 | 532 17 46-52 | 1 | Switch, Clutch |
| 9 | 587 60 15-01 | 2 | Switch, Interlock |
| 10 | 539 13 30-49 | 1 | Knob |
| 11 | 585 52 27-01 | 1 | Panel, Control |
| 12 | 539 10 24-36 | 1 | Battery |
| 13 | 539 13 12-09 | 1 | Tie Down, Battery |
| 14 | 585 04 87-02 | 1 | Box, Battery Blk |
| 15 | 532 13 15-63 | 3 | Terminal Cover |
| 16 | 539 10 27-59 | 1 | Insulator |
| 17 | 576 61 81-01 | 1 | Valve, Fuel Check |
| 18 | 586 12 39-06 | 1 | Assembly, Fuel Line w/ Valve |
| 19 | 532 19 25-07 | 1 | Solenoid |
| 20 | 587 19 86-01 | 1 | Harness, Battery Cable |
| 21 | 587 04 45-50 | 1 | Hose 3/16 x 50" Vapor |
| 22 | 532 00 36-45 | 1 | Grommet, Rubber |
| 23 | 532 43 74-92 | 1 | Grommet, Check Valve |
| 24 | 532 13 92-77 | 1 | Elbow |
| 25 | 586 16 18-01 | 1 | Meter, Service |
| 26 | 532 14 04-01 | 1 | Key, Ignition |
| 27 | 539 10 33-06 | 1 | Cable, Battery Positive |
| 28 | 586 93 60-01 | 2 | Screw #10-24 x 1/2 Socket Head |
| 29 | 545 22 71-01 | 2 | Screw 6-19 x 7/16 Pan Head |
| 30 | 539 11 12-29 | 1 | Screw 1/4-20 x 5/8 Button Socket |
| 31 | 532 14 18-41 | 2 | Screw 10-16 x .65 |
| 32 | 817 49 04-08 | 2 | Bolt 1/4-20 x 1/2 |
| 33 | 539 99 06-45 | 2 | Bolt 3/8-16 x 1 Round Head Square Neck |
| 34 | 872 14 05-06 | 2 | Bolt 5/16-18 x 3/4 Round Head Square Neck |
| 35 | 873 80 04-00 | 5 | Nut 1/4-20 Hex Nyloc |
| 36 | 539 11 28-99 | 2 | Nut 5/16-18 Flange Nyloc |
| 37 | 521 99 65-01 | 2 | Nut 3/8-16 Hex Flange Nyloc |
| | NOT SHOWN | | |
| | 586 33 73-01 | 1 | Harness, Wiring |
| | 532 10 97-48 | 1 | Relay 40A |

BRAKE / LIFT



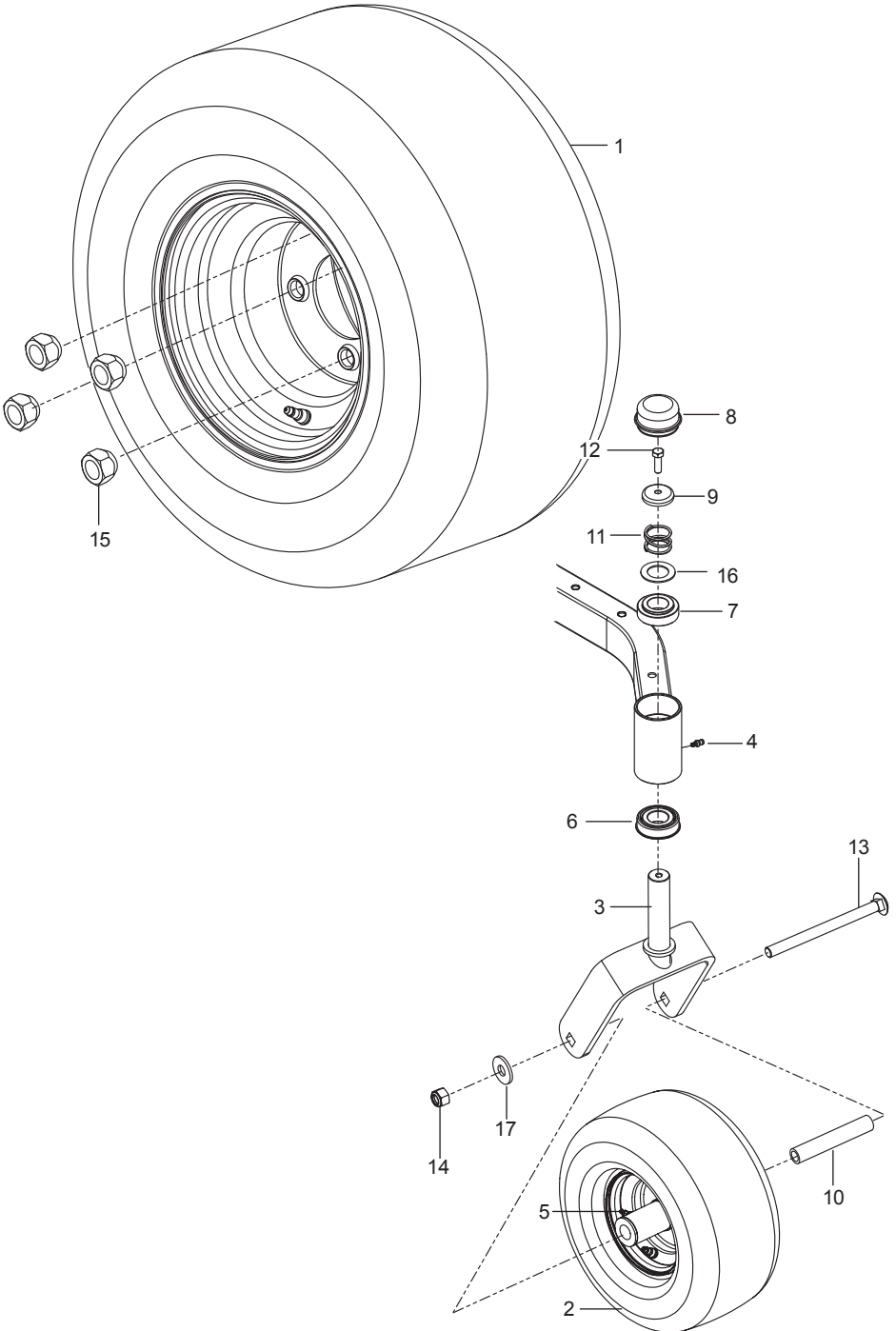
| Ref. | Part No. | Qty | Description |
|------|--------------|-----|----------------------------------|
| 1 | 587 62 31-01 | 1 | Assembly, Shaft w/ Nuts, E-Rings |
| 2 | 586 45 71-01 | 1 | Link, Brake Left |
| 3 | 586 45 72-01 | 1 | Link, Brake Right |
| 4 | 587 62 29-01 | 1 | Assembly, Lift Handle |
| 5 | 580 48 61-01 | 2 | Spacer |
| 6 | 585 68 21-01 | 2 | Bracket, Bellcrank |
| 7 | 532 19 51-85 | 2 | Arm, Suspension |
| 8 | 587 62 30-01 | 2 | Assembly, Centering Lnk |
| 9 | 532 44 50-60 | 1 | Grip, Handle |
| 10 | 586 86 76-01 | 1 | Spring |
| 11 | 532 19 63-14 | 1 | Spring |
| 12 | 539 11 87-62 | 2 | Spring |
| 13 | 587 22 53-01 | 6 | Clip |
| 14 | 532 19 42-09 | 1 | Clip |
| 15 | 585 70 14-01 | 2 | Pin 1/2 Clevis |
| 16 | 585 68 20-01 | 2 | Pushrod |
| 17 | 510 18 49-01 | 2 | Nut, Plastic |
| 18 | 586 45 75-01 | 1 | Bellcrank Right |
| 19 | 586 45 74-01 | 1 | Bellcrank Left |
| 20 | 532 13 77-29 | 2 | Screw 1/4-20 x 5/8 Thread Roll |
| 21 | 586 56 13-01 | 2 | Screw 1/4-20 x 2-1/4 Thread Roll |

HYDRAULIC PUMP-MOTOR



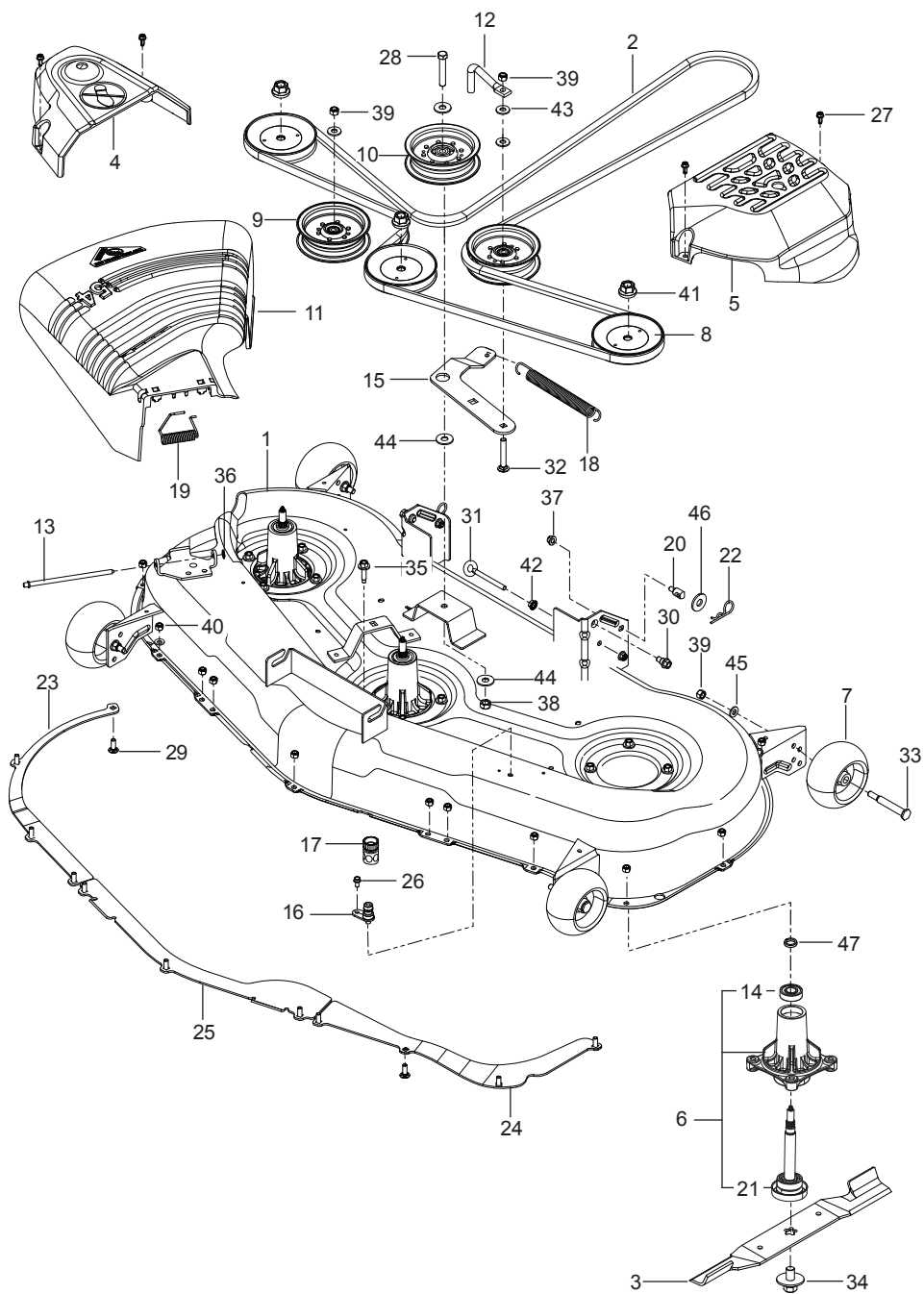
| Ref. | Part No. | Qty | Description |
|------|--------------|-----|-----------------------|
| 1 | 510 37 56-01 | 1 | EZT, Left |
| 2 | 510 37 56-02 | 1 | EZT, Right |
| 3 | 574 03 05-01 | 1 | Rod, EZT Brake Left |
| 4 | 574 03 05-02 | 1 | Rod, EZT Brake Right |
| 5 | 539 11 04-11 | 1 | Belt, EZT |
| 6 | 585 47 44-01 | 1 | Rod, Bypass Left |
| 7 | 585 47 45-01 | 1 | Rod, Bypass Right |
| 8 | 586 66 51-01 | 2 | Spring, Bypass |
| 9 | 539 11 03-42 | 2 | Spring, Brake Rod |
| 10 | 539 12 00-80 | 2 | Cog, Brake Disc |
| 11 | 539 12 00-79 | 2 | Assy, Brake Arm |
| 12 | 575 50 70-01 | 1 | Assy, Hub w/ Nuts |
| 13 | 539 12 07-85 | 2 | Blade, Fan |
| 14 | 510 18 41-04 | 2 | Spacer Tube |
| 15 | 580 80 65-02 | 2 | Support, EZT Frt |
| 16 | 580 80 66-02 | 2 | Mount, EZT Rr Bk |
| 17 | 587 22 53-01 | 1 | Clip |
| 18 | 539 97 69-88 | 4 | Clip |
| 19 | 587 11 53-01 | 1 | Pin, Clevis |
| 20 | 874 78 05-44 | 4 | Bolt 5/16-18 x 2-3/4 |
| 21 | 874 78 05-12 | 2 | Bolt 5/16-18 x 3/4 |
| 22 | 874 78 05-36 | 2 | Bolt 5/16-18 x 2-1/4 |
| 23 | 874 78 06-40 | 4 | Bolt 3/8-16 x 2-1/2 |
| 24 | 873 80 05-00 | 8 | Nut 5/16-18 Hex Nyloc |
| 25 | 873 80 04-00 | 2 | Nut 1/4-20 Hex Nyloc |
| 26 | 819 11 11-16 | 16 | Washer 5/16 SAE Flat |
| 27 | 810 03 06-00 | 4 | Washer 3/8 Splt Lock |
| 28 | 819 13 13-16 | 8 | Washer 3/8 SAE Flat |
| 29 | 819 09 10-16 | 4 | Washer 1/4 SAE Flat |

WHEELS & TIRES



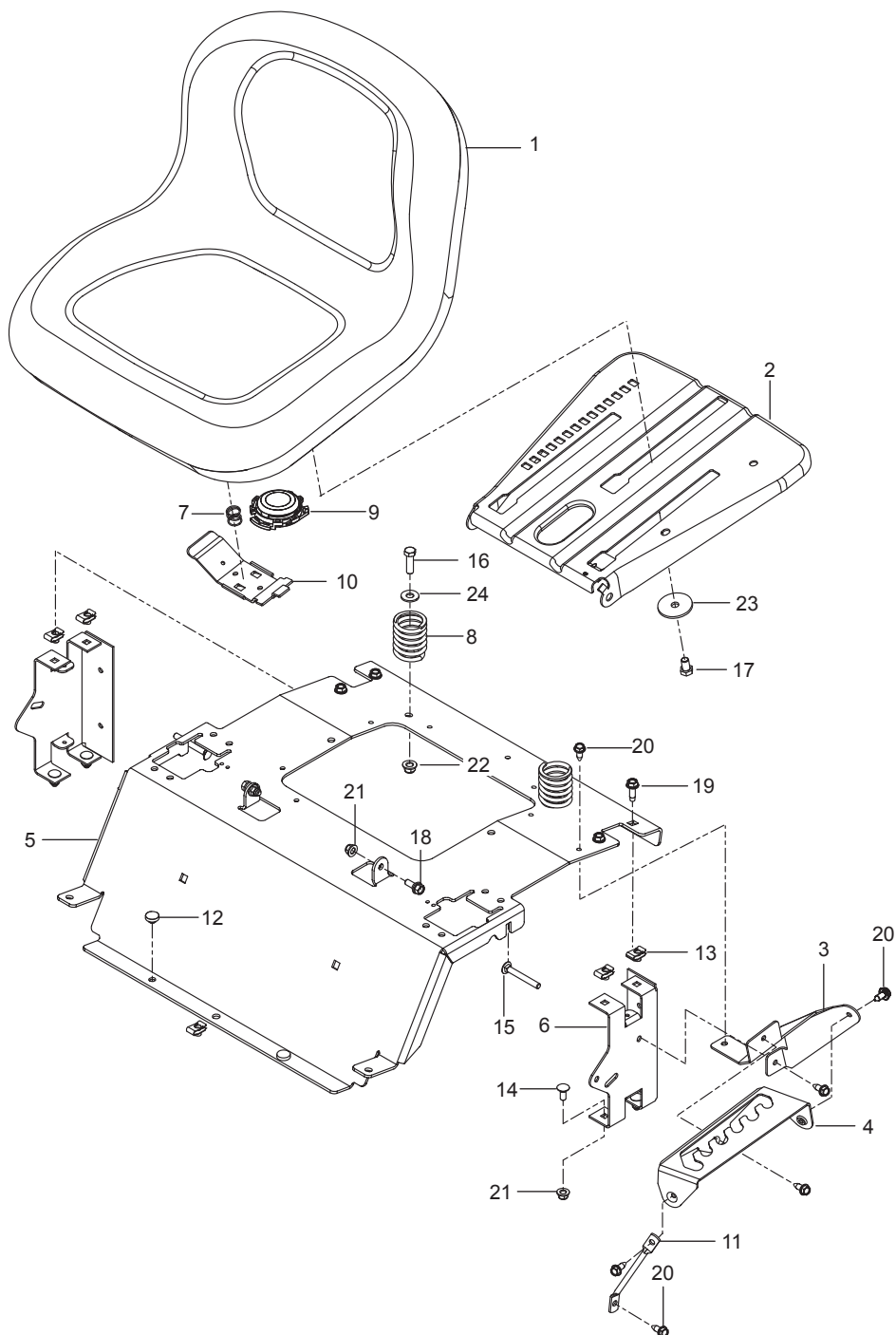
| Ref. | Part No. | Qty | Description |
|------|--------------|-----|--|
| 1 | 579 75 34-01 | 2 | Assy, Wheel Rear 18 x 9.5 |
| 2 | 576 58 86-02 | 2 | Wheel Assy Caster 11 x 6.5 |
| 3 | 576 58 88-01 | 2 | Yoke Org |
| 4 | 539 11 56-38 | 2 | Zerk 3/16 Drive |
| 5 | 539 10 33-00 | 2 | Zerk |
| 6 | 539 11 26-60 | 2 | Bearing, Flanged |
| 7 | 539 11 79-01 | 2 | Bushing, Caster |
| 8 | 539 10 25-35 | 2 | Grease Cap |
| 9 | 539 11 57-49 | 2 | Plug, Caster |
| 10 | 576 58 89-01 | 2 | Spacer, Pivot |
| 11 | 539 11 57-47 | 2 | Spring, Caster |
| 12 | 874 95 05-16 | 2 | Bolt, Hex 5/16-18 x 1 Nyloc |
| 13 | 576 60 15-01 | 2 | Bolt 1/2-13 x 7-1/2 Round Head Square Neck |
| 14 | 873 93 08-00 | 2 | Nut 1/2-13 Hex Center Lock |
| 15 | 539 10 11-73 | 8 | Nut 1/2 Lug |
| 16 | 539 11 56-75 | 2 | Washer |
| 17 | 819 18 22-12 | 2 | Washer 9/16 |

MOWER DECK / CUTTING DECK



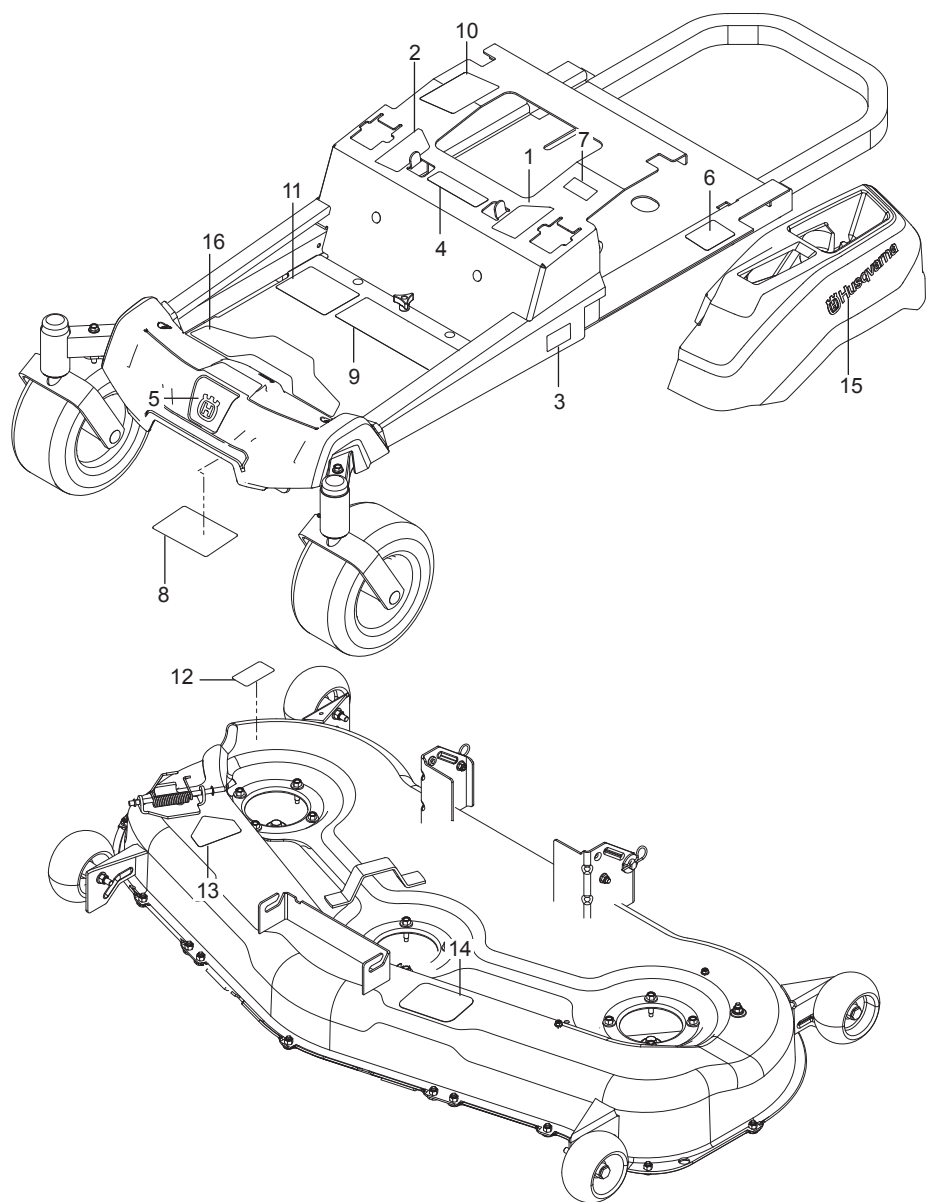
| Ref. | Part No. | Qty | Description |
|------|--------------|-----|---|
| 1 | 583 90 93-01 | 1 | Deck w/ Decals, Org |
| 2 | 539 11 45-57 | 1 | V-Belt |
| 3 | 532 18 72-56 | 3 | Blade, Bagging |
| 4 | 532 18 72-97 | 1 | Belt Shield, Left |
| 5 | 532 18 81-87 | 1 | Belt Shield, Right |
| 6 | 532 18 72-92 | 3 | Assembly, Mandrel |
| 7 | 532 17 48-73 | 4 | Wheel, Gauge |
| 8 | 532 17 34-36 | 3 | Pulley |
| 9 | 532 19 61-06 | 2 | Pulley, Idler |
| 10 | 532 19 61-04 | 1 | Pulley, Idler |
| 11 | 532 18 72-57 | 1 | Deflector |
| 12 | 522 62 97-01 | 1 | Keeper, Belt |
| 13 | 532 13 14-91 | 1 | Rod, Hinge |
| 14 | 532 11 04-85 | 1 | Bearing |
| 15 | 510 22 00-02 | 1 | Arm, Idler |
| 16 | 532 41 55-98 | 1 | Port, Washout |
| 17 | 532 41 64-05 | 1 | Coupling, Quick Connect |
| 18 | 539 12 09-20 | 1 | Spring, Deck Belt |
| 19 | 532 17 81-02 | 1 | Spring, Torsion |
| 20 | 532 19 51-61 | 2 | Stud, w/ Anti-Rotate |
| 21 | 532 18 72-91 | 1 | Shaft |
| 22 | 539 97 69-89 | 2 | Hairpin #4 |
| 23 | 532 18 73-42 | 1 | Baffle, Right |
| 24 | 532 18 73-44 | 1 | Baffle, Left |
| 25 | 532 18 76-07 | 1 | Baffle, Center |
| 26 | 817 49 04-08 | 1 | Screw 1/4-20 x 1/2 Hex Washer Head |
| 27 | 532 13 77-29 | 4 | Screw 1/4-20 x 5/8 Thread Roll |
| 28 | 874 78 07-40 | 1 | Bolt 7/16-14 x 2-1/2 Hex Head |
| 29 | 872 14 05-06 | 11 | Bolt 5/16-18 x 3/4 Round Head Square Neck |
| 30 | 532 19 65-39 | 2 | Bolt, Shoulder |
| 31 | 539 11 55-74 | 1 | Eye Bolt 5/16 x 3-1/2 |
| 32 | 539 12 81-01 | 1 | Bolt 3/8-16 x 2-1/4 Carriage |
| 33 | 532 19 34-06 | 4 | Bolt 3/8-16 x 3-5/8 Shoulder |
| 34 | 532 19 30-03 | 3 | Bolt, Blade |
| 35 | 584 95 39-01 | 12 | Bolt 5/16-18 x Hex Washer Head |
| 36 | 532 11 04-52 | 1 | Pushnut |
| 37 | 539 11 28-99 | 3 | Nut 5/16-18 Flange Nyloc |
| 38 | 539 11 91-24 | 1 | Nut 7/16-14 Hex Nyloc |
| 39 | 873 90 06-00 | 6 | Nut 3/8-16 Hex Nyloc |
| 40 | 873 80 05-00 | 11 | Nut 5/16-18 Hex Nyloc |
| 41 | 532 40 02-34 | 3 | Nut 9/16 Top Center Lock |
| 42 | 539 99 05-85 | 1 | Nut 5/16-18 Hex Whiz Lock |
| 43 | 819 14 16-14 | 3 | Washer 3/8 Flat Std |
| 44 | 539 10 48-64 | 3 | Washer 7/16 Flat |
| 45 | 819 13 13-16 | 4 | Washer 16 Gauge |
| 46 | 819 21 21-13 | 2 | Washer 1/2 Flat |
| 47 | 532 18 76-90 | 3 | Washer/Spacer |

SEAT



| Ref. | Part No. | Qty | Description |
|------|--------------|-----|---|
| 1 | 532 43 98-22 | 1 | Seat |
| 2 | 532 19 69-77 | 1 | Pan, Seat |
| 3 | 586 22 08-02 | 1 | Plate, Lift Support |
| 4 | 586 22 12-02 | 1 | Plate, Deck Lift |
| 5 | 577 26 05-03 | 1 | Support, Seat Org |
| 6 | 580 30 82-02 | 2 | Support, Seat Rear Blk |
| 7 | 532 19 82-00 | 1 | Spring, Latch |
| 8 | 532 12 41-81 | 2 | Spring, Seat |
| 9 | 532 40 15-45 | 1 | Switch, Seat |
| 10 | 532 19 76-61 | 1 | Handle, Slide |
| 11 | 586 42 86-01 | 1 | Leg, Support |
| 12 | 585 98 93-01 | 2 | Grommet, Bumper |
| 13 | 539 10 47-63 | 5 | Retainer, U Type |
| 14 | 872 14 05-06 | 4 | Bolt 5/16-18 x 3/4 Round Head Square Neck |
| 15 | 510 42 27-01 | 2 | Bolt 5/16-18 x 2-1/2 Round Head Square Neck |
| 16 | 874 78 06-20 | 2 | Bolt 3/8-16 x 1-1/4 |
| 17 | 874 78 06-10 | 1 | Bolt 3/8-16 x 5/8 |
| 18 | 539 11 03-03 | 2 | Bolt 5/16-18 Shoulder |
| 19 | 817 49 05-12 | 4 | Screw 5/16-18 x 3/4 Thread Form |
| 20 | 817 00 05-10 | 6 | Screw 5/16-18 x 5/8 Washer Head |
| 21 | 539 11 28-99 | 4 | Nut 5/16-18 Hex Flange Nyloc |
| 22 | 521 99 65-01 | 2 | Nut 3/8-16 Hex Flange Nyloc |
| 23 | 539 11 18-97 | 1 | Washer 3/8 Special |
| 24 | 819 14 16-14 | 2 | Washer 3/8 Std Flat |

DECALS



| Ref. | Part No. | Qty | Description |
|------|--------------|-----|----------------------------|
| 1 | 587 59 56-01 | 1 | Decal, Steer / Brake Left |
| 2 | 587 59 55-01 | 1 | Decal, Steer / Brake Right |
| 3 | 587 21 01-01 | 2 | Decal, Z 254 |
| 4 | 539 10 57-45 | 1 | Decal, Battery Warning |
| 5 | 532 42 86-77 | 1 | Decal, Crown |
| 6 | 539 10 83-85 | 1 | Decal, Do Not Tow |
| 7 | 539 10 83-86 | 1 | Decal, Exit Mower |
| 8 | 539 10 98-97 | 1 | Decal, Service |
| 9 | 583 93 40-01 | 1 | Decal, Safety Warnings |
| 10 | 539 11 05-22 | 1 | Decal, Responsibility |
| 11 | 588 03 51-01 | 1 | Decal, Start |
| 12 | 581 72 44-01 | 1 | Decal, Deflector |
| 13 | 584 90 46-01 | 1 | Decal, Blade Danger |
| 14 | 539 11 26-20 | 1 | Decal, Belt Routing |
| 15 | 577 46 90-01 | 2 | Decal, Husqvarna |
| 16 | 587 00 07-01 | 1 | Pad, Abrasive |

www.husqvarna.com

115 70 13-27 Rev D
2015-11-15