



**Operator's manual**  
**LC 18 LC 19**  
**LC 19A LC 19AP**



Please read the operator's manual carefully and make sure you understand the instructions before using the machine.

**English**

# KEY TO SYMBOLS

## Key to symbols

WARNING! The machine can be a dangerous tool if used incorrectly or carelessly, which can cause serious or fatal injury to the operator or others.



Please read the operator's manual carefully and make sure you understand the instructions before using the machine.



Never use the machine if persons, especially children or pets, are in the immediate vicinity.



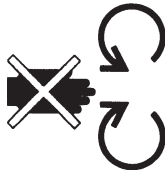
Watch out for thrown objects and ricochets.



Warning: rotating cutter. Keep hands and feet clear.



Warning: rotating cutter. Keep hands and feet clear.



Never use the machine indoors or in spaces lacking proper ventilation. Exhaust fumes contain carbon monoxide, an odourless, poisonous and highly dangerous gas.



Risk of explosion



Always shut off the engine before refuelling.



Hot surface



Danger! Keep your hands and feet away from the rotating blades. Never place your hands or feet close to or under the body when machine is in operation.



Sound pressure level at the bystander's position.

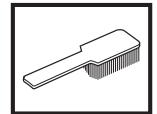


Other symbols/decals on the machine refer to special certification requirements for certain markets.

Always wear protective gloves.



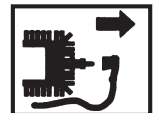
Regular cleaning is required.



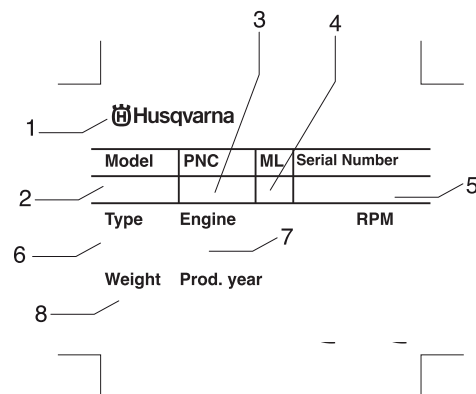
Visual check.



The ignition lead should always be removed from the spark plug before repair, cleaning or maintenance work.



Stop by throttle control before carrying out any checks or maintenance.



- 1 Manufacturer
- 2 Model
- 3 Product number
- 4 Maintenance level
- 5 Serial number
- 6 Type
- 7 Engine information
- 8 Weight

# KEY TO SYMBOLS

## Explanation of warning levels

The warnings are graded in three levels.

### WARNING!



**WARNING!** Used if there is a risk of serious injury or death for the operator or damage to the surroundings if the instructions in the manual are not followed.

### IMPORTANT!

**IMPORTANT!** Used if there is a risk of injury to the operator or damage to the surroundings if the instructions in the manual are not followed.

### CAUTION!

**CAUTION!** Used if there is a risk of damage to materials or the machine if the instructions in the manual are not followed.

## Steps before using a new lawn mower

- Please read the operator's manual carefully.
- Check that the cutting equipment is correctly fitted and adjusted. See instructions under the heading Assembly.
- Fill fuel tank with fresh, unleaded petrol and fill engine sump with correct volume of high quality SAE30 engine oil. See instructions under heading "Fuel Handling".



**WARNING!** Under no circumstances may the design of the machine be modified without the permission of the manufacturer. Always use genuine accessories. Non-authorized modifications and/or accessories can result in serious personal injury or the death of the operator or others.



**WARNING!** A lawn mower is a dangerous tool if used carelessly or incorrectly and can cause serious, even fatal injuries. It is extremely important that you read and understand the contents of this operator's manual.



**WARNING!** Long-term inhalation of the engine's exhaust fumes can represent a health hazard.

Husqvarna AB has a policy of continuous product development and therefore reserves the right to modify the design and appearance of products without prior notice.

---

# CONTENTS

---

## Contents

### KEY TO SYMBOLS

Key to symbols .....	2
Steps before using a new lawn mower .....	3

### CONTENTS

Contents .....	4
----------------	---

### WHAT IS WHAT?

What is what on the lawn mower? .....	5
---------------------------------------	---

### SAFETY INSTRUCTIONS

Personal protection .....	6
Machine's safety equipment .....	6
General safety precautions .....	6
General working instructions .....	8

### ASSEMBLY

Assembly of the handlebar .....	10
Fitting the handlebar .....	10
Assembly of the catcher .....	10

### FUEL HANDLING

Fuel .....	11
------------	----

### STARTING AND STOPPING

Starting and stopping .....	12
-----------------------------	----

### MAINTENANCE

Maintenance .....	13
-------------------	----

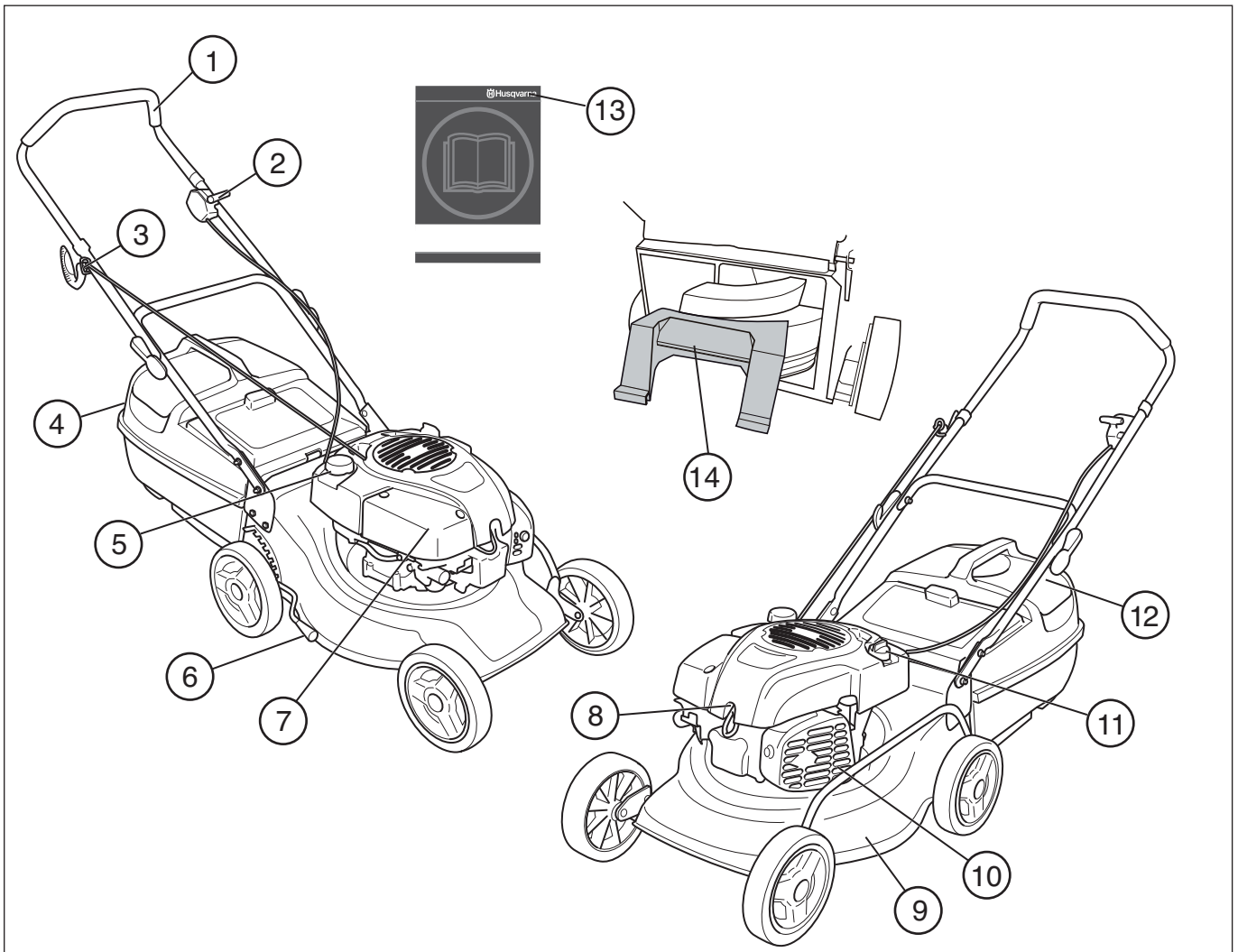
### TROUBLE SHOOTING GUIDE

Trouble shooting guide.....	15
-----------------------------	----

### TECHNICAL DATA

Technical data .....	16
----------------------	----

# WHAT IS WHAT?



## What is what on the lawn mower?

- |                          |                      |
|--------------------------|----------------------|
| 1 Handle / handlebar     | 8 Spark plug         |
| 2 Throttle               | 9 Cutting deck       |
| 3 Starter handle         | 10 Muffler           |
| 4 Grass catcher          | 11 Oil tank          |
| 5 Fuel tank              | 12 Rear deflector    |
| 6 Cutting height control | 13 Operator's manual |
| 7 Air filter             | 14 Mulching plug     |

# SAFETY INSTRUCTIONS

## Personal protection



**WARNING!** You must use personal protection whenever you use the machine.

- Gloves must be worn when required, for example when fitting, inspecting or cleaning cutting attachments.
- Always wear heavy, long pants. Do not wear shorts, sandals or go barefoot.
- Wear sturdy, non-slip boots or shoes.

Generally clothes should be close-fitting without restricting your freedom of movement.

## Machine's safety equipment

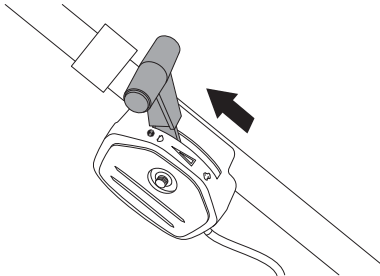
This section describes the machine's safety equipment, its purpose, and how checks and maintenance should be carried out to ensure that it operates correctly. See the "What is what?" section to locate where this equipment is positioned on your machine.



**WARNING!** Never use a machine that has faulty safety equipment! Carry out the inspection, maintenance and service routines listed in this section.

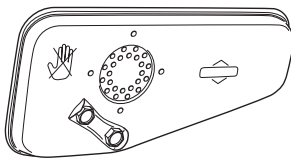
## Engine stop

The engine is switched off by moving the throttle control to the stop position.



## Muffler

The muffler is designed to keep noise levels to a minimum and to direct exhaust fumes away from the user.



**WARNING!** The exhaust fumes from the engine are hot and may contain sparks which can start a fire. Never start the machine indoors or near combustible material!

In areas with a hot, dry climate there is a high risk of fires. These areas are sometimes controlled by legislation and requirements that among other things the muffler must be equipped with an approved type of spark arrestor mesh.

For mufflers it is very important that you follow the instructions on checking, maintaining and servicing your machine.



**WARNING!** The muffler gets very hot in use and remains so for a short time afterwards. Do not touch the muffler if it is hot!

- Never use a machine that has a faulty muffler.
- Check that the muffler is securely attached and not damaged.

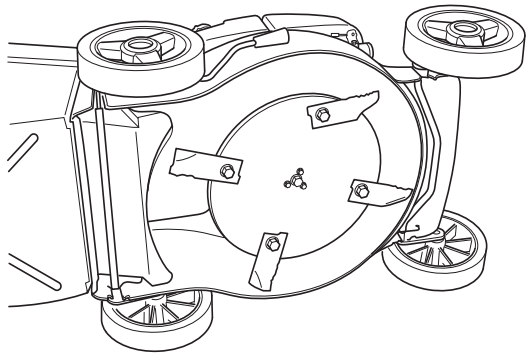
## Cutting equipment

Make sure the blades do not hit foreign objects such as stones, roots or the like. This can make the blades dull and bend the engine shaft. Always ensure the blades are well ground and balanced correctly. See also instructions under the heading Maintenance.

Check the cutting attachment. Never use blunt, cracked or damaged equipment. Damage blades and worn bolts are major hazards.



Also check that the blade bolts are undamaged and that the engine shaft is not bent.



**WARNING!** Never use a machine with faulty safety equipment. The machine's safety equipment must be checked and maintained as described in this section. If your machine fails any of these checks contact your service agent to get it repaired.

## General safety precautions

- Please read the operator's manual carefully and make sure you understand the instructions before using the machine.
- Know your controls. Learn how to stop the engine quickly in any emergency
- Never mow while barefoot or wearing open sandals, or thongs. Wear long trousers and heavy shoes.
- Make sure the lawn is clear of sticks, stones, bones, wire and debris. They could be thrown by the blade.
- Stop the engine and disconnect spark plug wire before clearing blockages, checking or working on the mower.
- Before using, always visually inspect to see that blades, blade bolts and cutter assembly are not worn or damaged. Replace worn or damaged blades and bolts in sets to preserve balance.

**DAMAGED BLADES AND WORN BOLTS ARE MAJOR HAZARDS.**

# SAFETY INSTRUCTIONS

- Check all nuts, bolts and screws often; always be sure the mower is in safe operating condition. Use only replacement parts made and guaranteed by the original manufacturer of the mower.
- Refuel outdoors only. Do not smoke while fuelling engine. Add fuel before starting the engine. Never remove the cap off the fuel tank or add petrol while the engine is running or the engine is hot. If petrol is spilled, do not attempt to start the engine but move machine away from the area of the spill and avoid creating any source of ignition until petrol vapours have dissipated.
- Do not mow whilst people especially children, or pets are in the mowing area.
- Replace worn or faulty silencers.
- Never use the machine in bad weather, for instance in fog, in rain, damp or in wet locations, strong winds, intense cold, risk of lightning, etc. Working in bad weather is tiring and can lead to dangerous conditions, e.g. slippery surfaces.
- Never use the mower unless the grass catcher, or guards provided by the manufacturer, are in position.
- Start the engine carefully with feet well away from the blades.
- Do not operate engine in a confined space where exhaust fumes (carbon monoxide) can collect.
- Stop the engine whenever you leave the mower, even for a moment.
- Do not allow children or people unfamiliar with these instructions to use the mower.
- Store the mower in a well-ventilated room away from naked flames such as may be found in hot water heaters.
- Never leave wind-up starters in a wound condition.
- Do not over-speed the engine or alter governor settings. Excessive speed is dangerous and shortens mower life.
- It is advisable to wear suitable eye protection when operating a mower.
- Store fuel in a cool place in a container specifically designed for the purpose. In general, plastics containers are unsuitable.
- Stop the engine, disconnect the spark plug wire and inspect the mower if:
  - (a) the mower begins to vibrate abnormally
  - (b) after striking a foreign object.
- Never cut grass while walking backwards.
- Stop the engine before pushing mower across gravel drives, walkways or roads.
- Walk, never run.
- Mow across the surface of slopes, never up and down. Exercise extreme caution when changing direction on slopes. Do not mow excessively steep slopes.
- Never pick up or carry a mower when it is operating
- Never operate the lawn mower in wet grass and always be sure of your footing.
- A lawn mower is only designed to mow lawns.
- Never use the machine if you are tired, if you have consumed alcohol, or if you are taking medication that could affect your vision, your judgement or your co-ordination.
- Keep in mind that the operator is responsible for accidents or hazards occurring to other people or their property.



**WARNING! Running an engine in a confined or badly ventilated area can result in death due to asphyxiation or carbon monoxide poisoning.**

- You must use personal protection whenever you use the machine. See the instructions under the heading Personal protection.
- Never use a machine that has been modified in any way from its original specification.
- Never use any accessories other than those recommended in this manual. See instructions under the headings Cutting equipment and Technical data.



**WARNING! A faulty cutting attachment may increase the risk of accidents.**

- Never use a machine that is faulty. Carry out the checks, maintenance and service instructions described in this manual. Some maintenance and service measures must be carried out by trained and qualified specialists. See instructions under the heading Maintenance.

#### **Before use:**

- 1 Check that the throttle control works correctly and is undamaged.
- 2 Check that all handles and controls are undamaged and free of oil.
- 3 Check that the muffler is securely attached and not damaged.
- 4 Check that all parts of the lawn mower are tightened correctly and that they are not damaged or missing.
- 5 Check that the blades are undamaged and not cracked. Replace the blades and blade bolts if necessary.

## Starting



**WARNING! Long-term inhalation of the engine's exhaust fumes can represent a health hazard.**

- Never start a lawn mower unless the blades and all covers are fitted correctly.
- Never start the machine indoors. Exhaust fumes can be dangerous if inhaled.
- Ensure that the working area is sufficiently illuminated to create a safe working environment.
- Observe your surroundings and make sure that there is no risk of people or animals coming into contact with the cutting equipment. The operator is responsible for any unsafe situations or risks that people and property are exposed to.
- Place the lawn mower on firm, flat surface and start it. Make sure that the blades cannot come into contact with the ground or other objects.
- Never twist the starter cord around your hand.

See the instructions under the heading Start and stop.

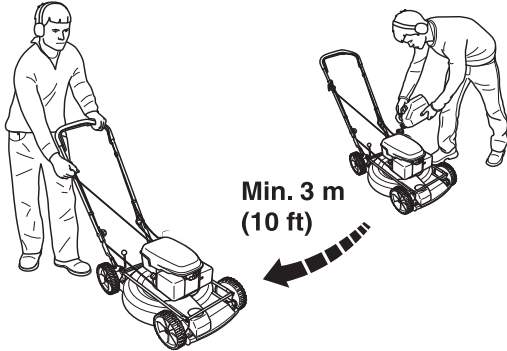
# SAFETY INSTRUCTIONS

## Fuel safety



**WARNING!** Fuel and fuel vapour are highly flammable. Take care when handling fuel and engine oil. Bear in mind the risk of fire, explosion and inhaling fumes.

- Never refuel the machine while the engine is running.
- Always ensure there is adequate ventilation when refuelling and filling oil.
- Move the machine at least 3 m from the refuelling point before starting it.



- Never start the machine:
  - 1 If you have spilt fuel or engine oil on the machine. Wipe off the spill and allow the remaining fuel to evaporate.
  - 2 If you spill fuel or engine oil on yourself or your clothes. Change your clothes.
  - 3 If the machine is leaking fuel. Check regularly for leaks from the fuel cap and fuel lines.

## Transport and storage

- The fuel and engine oil tanks should be emptied before longer periods of storage or when transporting the lawn mower. Ask where you can dispose of surplus fuel and engine oil at your local petrol station.
- Always store the lawn mower and fuel so that any leakage or vapours do not risk coming into contact with sparks or naked flames. For example, electrical machines, electric motors, relays/switches, boilers, or the like.
- Always store fuel in an approved container designed for that purpose.

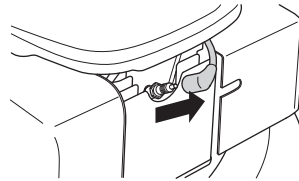
## General working instructions



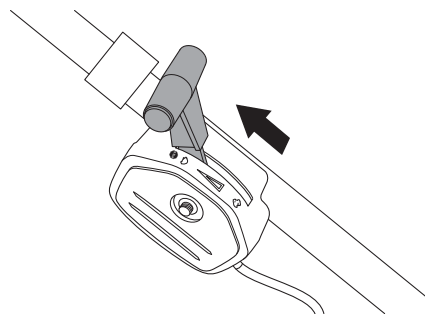
**WARNING!** This section describes basic safety precautions for working with the lawn mower. This information is never a substitute for professional skills and experience. If you get into a situation where you feel unsure about how to progress, stop and seek expert advice. Contact your dealer, service agent or an experienced lawn mower user. Avoid all usage which you consider to be beyond your capability

## Basic safety rules

- Look around you:
  - To ensure that people, animals or other things cannot affect your control of the machine.
  - To make sure that none of the above might come into contact with the cutting equipment.
- Branches, twigs, stones, etc. should be removed from the lawn before you start to mow. Make sure the blades do not hit foreign objects such as stones, roots or the like. This can make the blades dull and bend the engine shaft.
- Never lift up the lawn mower or carry it around when the engine is running. If you must lift the lawn mower, first switch off the engine and disconnect the ignition lead from the spark plug.



- Do not use the machine in bad weather, such as dense fog, heavy rain, strong wind, intense cold, etc. Working in bad weather is tiring and often brings added risks, such as icy ground.
- Make sure you can move and stand safely. Check the area around you for possible obstacles (roots, rocks, branches, ditches, etc.) in case you have to move suddenly. Take great care when working on sloping ground.
- The engine should be switched off when moving over ground that is not to be mowed. For example, gravel paths, stone, shingle, asphalt, etc.



Follow the instructions above, but do not use a lawn mower in a situation where you cannot call for help in case of an accident.



# SAFETY INSTRUCTIONS

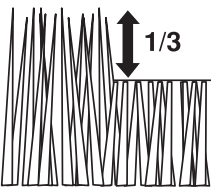
## Basic mowing technique



**WARNING!** Make sure that your hands and feet do not come near the cutting attachment when the engine is running.

### General

- Mowing slopes can be dangerous. Do not use the lawn mower on very steep slopes.
- The lawn mower should not be used on inclines greater than 15degrees.
- On sloping ground you should work along the slope. It is much easier to work along a slope than it is to work up and down it.
- Branches, twigs, stones, etc. should be removed from the lawn before you start to mow.
- Do not mow the lawn while walking backwards.
- Never lift up the lawn mower or carry it around when the engine is running. If you must lift the lawn mower, first switch off the engine and disconnect the ignition lead from the spark plug.
- Make sure the blades do not hit foreign objects such as stones, roots or the like. This can make the blades dull and bend the engine shaft. A bent axle gives imbalance and heavy vibration, which results in a great risk of the blades becoming loose.
- If any foreign object is hit or if vibrations occur stop the machine immediately. Disconnect the ignition lead from the spark plug. Check that the machine is not damaged. Repair any damage.
- Never mow more than 1/3 of the length of the grass. This especially applies during dry periods. Mow first with the cutting height set high. Then check the result and lower to an appropriate height. If the grass is really long, push the mower slowly and mow twice if necessary.



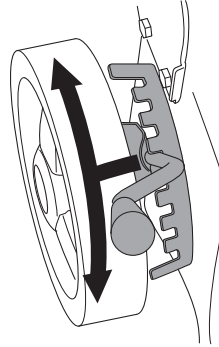
- Never run with the machine when it is running. You should always walk with the lawn mower.
- Pay particular attention when pulling the machine towards you during work.

## Cutting height



Shut down the engine before changing the cutting height.

The cutting height can be adjusted in 8-10 different steps.

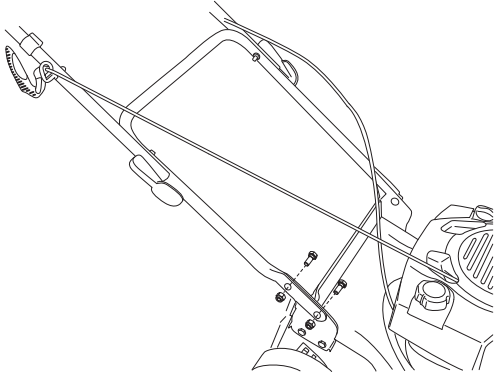


Do not set the cutting height too low as there is a risk that the blades might hit ground with unevenness.

# ASSEMBLY

## Assembly of the handlebar

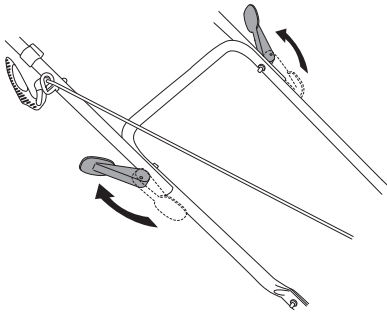
Assemble the handlebar with 2 screws on each side of the handlebar.



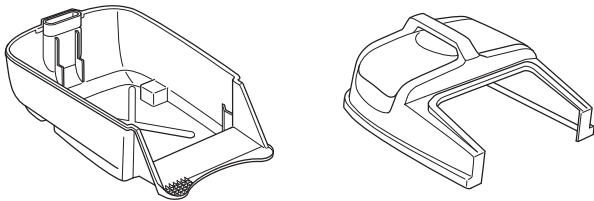
## Fitting the handlebar

Take care not to damage the cables and wires when you fold up the handlebar.

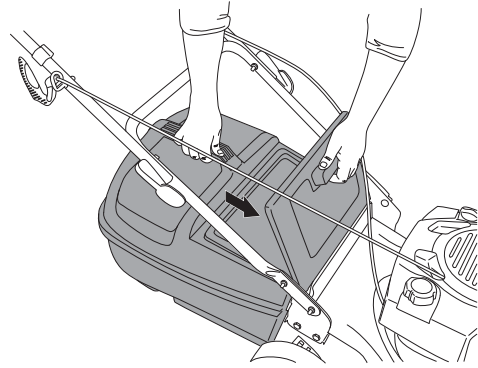
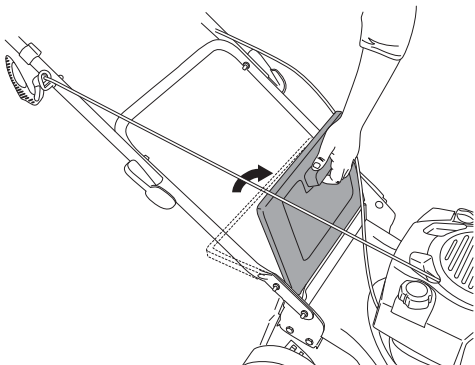
Lift up the handlebar until the handlebar's upper tubular construction comes directly opposite to the handlebar's lower section. Tighten the knob correctly.



## Assembly of the catcher



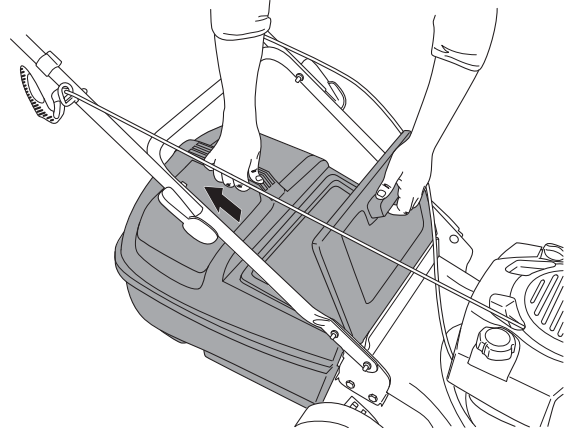
- Lift the rear deflector and insert the grass catcher correctly so that the rear deflector locks down over the opening in the grass catcher.



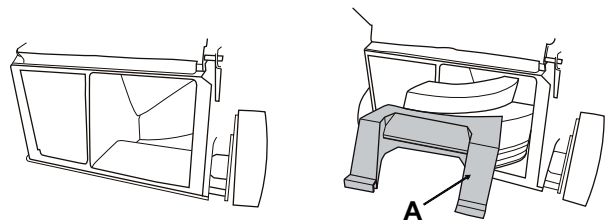
## Mulching function

Machines equipped with a catcher can be used with mulching function in the following way.

- Lift rear deflector and remove grass catcher.



- Insert the mulching plug (A) into the collector channel.



- Close the rear deflector.

# FUEL HANDLING

## Fuel



**WARNING!** Always ensure there is adequate ventilation when handling fuel.

### Petrol

- Use good quality unleaded petrol. Leaded petrol can be used if unleaded petrol is not available.
- Fuel should be at least 91 RON.
- If the machine is not used for some time the fuel tank should be emptied and cleaned.

### Engine oil

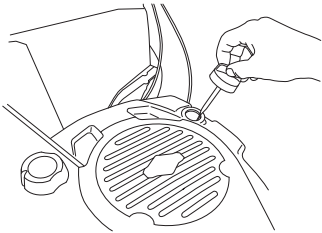
Check the oil level before starting the lawn mower. A too low oil level can cause serious damage to the engine.

- For the best result and function use a high quality SAE30 four-stroke engine oil.
- Never use oil intended for two-stroke engines.

Check the oil level before starting the lawn mower. A too low oil level can cause serious damage to the engine.

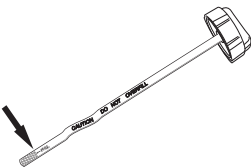
### Oil level

Unscrew the oil filler cap and check the oil level on the dipstick fitted to the cover.



The oil filler cap must be completely screwed down to give a correct indication of the oil level.

If the oil level is low, fill using engine oil up to the upper level on the dipstick.



Only use recommended engine oil. See the Technical data section.

## Fuelling



**WARNING!** Taking the following precautions, will lessen the risk of fire:

**Do not smoke or place hot objects near fuel.**

**Always shut off the engine before refuelling.**

**When refuelling, open the fuel cap slowly so that any excess pressure is released gently.**

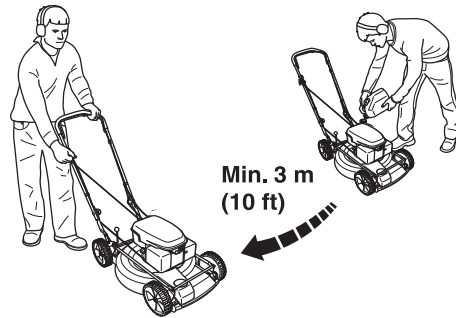
**Tighten the fuel cap carefully after refuelling.**

**Always move the machine away from the refuelling area before starting.**

Do not fill too much petrol. Leave about 35 mm under the filler cap so that the fuel can expand.

Clean around the fuel cap. Clean the fuel and oil tank regularly. The fuel filter should be changed at least once a year. Contamination in the tanks causes malfunction.

Always move the machine about 3 metres from the refuelling position before starting.



# STARTING AND STOPPING

## Starting and stopping



**WARNING!** Note the following before starting:

Do not start a lawn mower unless the blades and all covers are fitted correctly. Otherwise the cutter could come loose and cause personal injuries.

Always move the machine away from the refuelling area before starting.

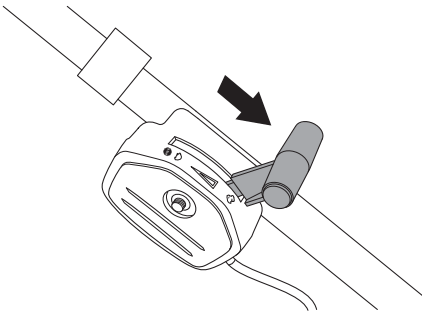
Place the machine on a flat surface. Ensure the cutting attachment cannot come into contact with any object.

Keep people and animals well away from the working area.

## Starting

Ensure the ignition lead sits correctly on the spark plug.

- Move the throttle control to the fast position.



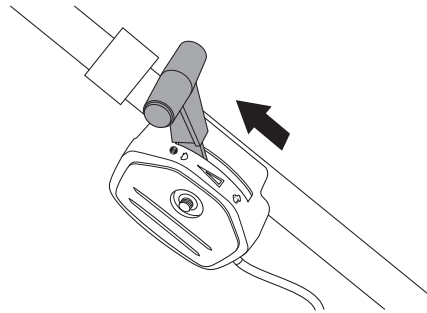
- Grip the starter handle, slowly pull out the cord with your right hand until you feel some resistance (the starter pawls grip), now quickly and powerfully pull the cord. **Never twist the starter cord around your hand.**



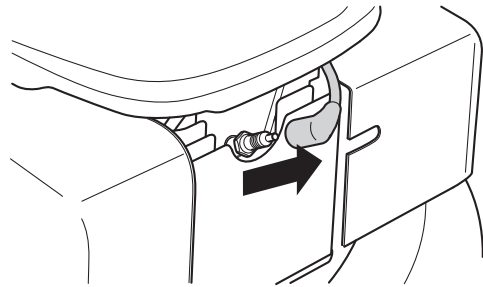
**CAUTION!** Do not pull the starter cord all the way out and do not let go of the starter handle when the cord is fully extended. This can damage the machine.

## Stopping

The engine is switched off by moving the throttle control to the stop position.

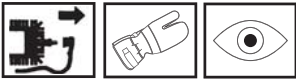


If the machine for any unexpected reason does not stop when the throttle control is moved to its stop position, disconnect the spark plug wire from the spark plug to stop the machine.



# MAINTENANCE

## Maintenance



**WARNING! Make sure the blade disc assembly has stopped before cleaning, carrying out repairs or an inspection. Disconnect the ignition lead from the spark plug.**

The ignition lead should always be removed from the spark plug before repair, cleaning or maintenance work.

## Engine

Refer to the separate engine manual for all engine maintenance instructions.

## Air filter

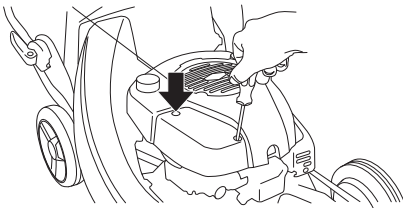
The air filter must be regularly cleaned to remove dust and dirt in order to avoid:

- Carburettor malfunctions
- Starting problems
- Loss of engine power
- Unnecessary wear to engine parts.
- Excessive fuel consumption.

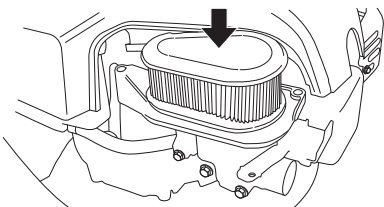
An air filter that has been in use for a long time cannot be cleaned completely. The filter must therefore be replaced with a new one at regular intervals. **A damaged air filter must always be replaced.**

## Cleaning the air filter

Remove the air filter cover.



Remove the air filter and check that it is undamaged. Replace with a new air filter if you believe it to be defective.



Clean the filter by knocking the filter against a flat surface. Never use solvents, for example petrol or kerosine, or compressed air to clean the filter.

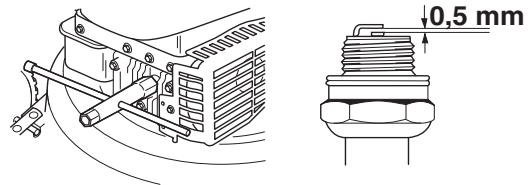
When reassembling, make sure that the filter completely seals against the filter holder.

## Spark plug



**WARNING! The muffler gets very hot in use and remains so for a short time afterwards. Do not touch the muffler if it is hot!**

If the machine is low on power, difficult to start or runs poorly at idle speed: always check the spark plug first before taking any further action. If the spark plug is dirty, clean it and check that the electrode gap is 0.5 mm. The spark plug should be checked regularly.

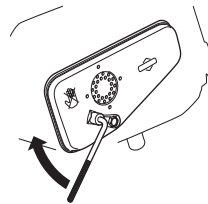


**CAUTION!** Always use the recommended spark plug type, refer to Technical Data. Use of the wrong spark plug can damage the piston/cylinder.

## Muffler

The muffler is designed to reduce the noise level and to direct the exhaust gases away from the operator. The exhaust gases are hot and can contain sparks, which may cause fire if directed against dry and combustible material.

Regularly check that the muffler is securely attached to the machine.

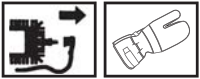


Never use a machine that has a faulty muffler.



# MAINTENANCE

## Blade disc assembly



**WARNING!** Always wear heavy-duty gloves when repairing the blade disc assembly. The blades are very sharp and can easily cause cuts.

Damaged blades should be replaced immediately.

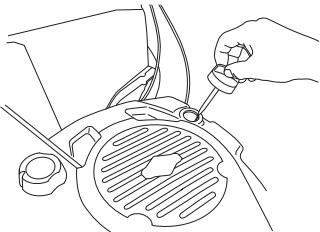
Replacing or sharpening the blades should be conducted by an authorised service workshop.

## Changing the oil

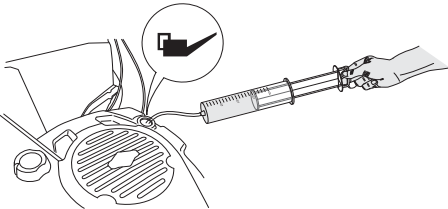
The engine oil should be changed each year and every 25 working hours.

When changing the oil proceed as follows:

- Empty the fuel tank by running the machine until the tank is empty.
- Disconnect the ignition lead from the spark plug.
- Unscrew the oil filler cap.

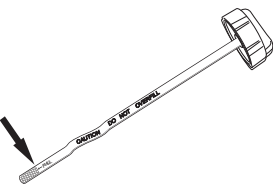


- Use the oil pump (accessory) to empty the oil tank.



Ask where you can dispose of surplus engine oil at your local petrol station.

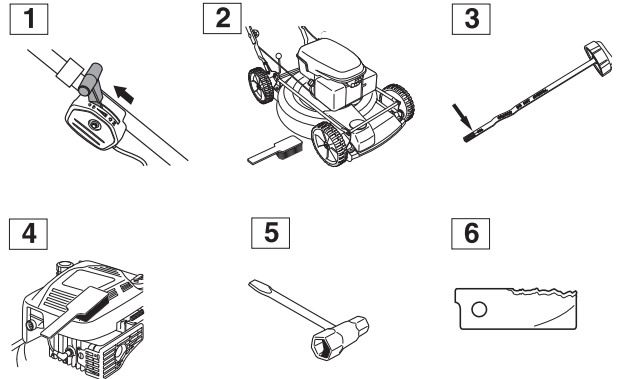
- Fill with new engine oil of a good quality. See the Technical data section.
- Check the oil level with the dipstick on the oil filler cap.
- The oil filler cap must be completely screwed down to give a correct picture of the oil level. If the oil level is low, fill using engine oil up to the upper level on the dipstick.



- Screw on the oil filler cap.

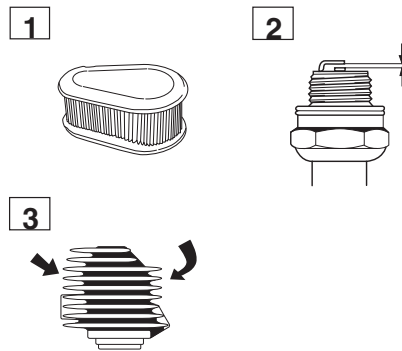
Below you will find some general maintenance instructions.

## Daily maintenance



- 1 Check that the stop function works safely.
- 2 Brush leaves, grass and the like off of the lawn mower. The underside of the mower deck should also be cleaned after each use, to prevent a buildup of grass clippings.
- 3 Check the oil level.
- 4 Clean the air intake on the starter. Check the starter and starter cord.
- 5 Check that nuts and screws are tight.
- 6 Check the cutting attachment. Never use blades that are dull, cracked or damaged.

## Weekly maintenance



- 1 Clean the air filter. Replace if necessary.
- 2 Clean the spark plug. Check that the electrode gap is 0.50 mm.
- 3 Clean the cooling fins on the cylinder.

## At least once a year

- 1 Carry out annually service at authorised dealer (at least once a year or every 30 hours).

# TROUBLE SHOOTING GUIDE

## Trouble shooting guide

Trouble	Possible cause(s)	Corrective Action
Engine does not start	Throttle control lever not in correct starting position	Move throttle lever to FAST or START position
	Faulty spark plug connections or interchanged cables	Connect ignition lead to spark plug
	There is no fuel in the fuel tank	Fill tank with clean, fresh unleaded petrol
	Dirt in the carburettor or fuel line	Clean carburettor and/or fuel line
	Spark plug defective	Clean, adjust gap or replace
	Engine flooded	Crank engine with throttle in FAST position
Engine does not stop	Stop switch/mechanism malfunction	Disconnect spark plug ignition lead and check the machine at an authorized dealer.
Engine runs erratic	Unit running in START position	Move throttle lever to FAST position
	Spark plug ignition lead loose	Connect and tighten spark plug ignition lead
	Blocked fuel line or stale fuel	Clean fuel line; fill tank with clean fresh unleaded petrol
	Vent in gas cap plugged	Clean vent
	Water or dirt in fuel system	Drain fuel tank. Refill with fresh fuel
	Dirty air cleaner	Clean air cleaner
	Carburettor out of adjustment	Adjust carburettor
Engine overheats	Engine oil level low	Fill crankcase with recommended oil
	Air flow restricted	Remove blower housing and clean
	Carburettor not adjusted properly	Adjust carburettor
Occasional skip (hesitates) at high speed	Spark plug gap too close	Adjust gap to 0.50 mm
Idles poorly	Spark plug fouled, faulty or gap too wide	Reset gap to 0.50 mm or replace spark plug
	Carburettor improperly adjusted	Adjust carburettor
	Dirty air filter	Clean air cleaner
Excessive vibration	Cutting blade loose or unbalanced	Tighten blade and adapter, Balance blade
	Bent cutting blade	Replace blade
Mower will not mulch grass	Engine speed too low	Set throttle between 3/4 and full throttle
	Wet grass	Do not mow when grass is wet, wait until later to cut
	Excessively high grass	Mow once at high cutting height, then mow again at desired height or make a narrower cutting strip, e.g. 1/2 width
	Dull blade	Sharpen or replace blade
Uneven cut	Wheels not positioned correctly	Place all four wheels in same height position
	Dull blade	Sharpen or replace blade

# TECHNICAL DATA

## Technical data

	LC 18	LC 19	LC 19A	LC 19AP
<b>Engine</b>				
Engine	Briggs & Stratton	Briggs & Stratton	Briggs & Stratton	Briggs & Stratton
Cylinder displacement, cm <sup>3</sup>	140	161	161	161
Speed, rpm	2900	2900	2900	2900
<b>Ignition system</b>				
Spark plug	Champion QC12YC	Champion QC12YC	Champion QC12YC	Champion QC12YC
Electrode gap, mm	0,5	0,5	0,5	0,5
<b>Fuel and lubrication system</b>				
Fuel tank capacity, litre	0,8	1,0	1,0	1,0
Oil tank capacity, litre	0,5	0,6	0,6	0,6
Engine oil	SAE 30	SAE 30	SAE 30	SAE 30
<b>Weight</b>				
Lawn mower with empty tanks, kg	28	32	31	34
<b>Cutting</b>				
Cutting system	Mulch & Catch	Mulch & Catch	Mulch & Catch	Mulch & Catch
Cutting position	8	10	10	10
Cutting height, mm	16-80	12-80	16-80	16-80
Cutting width, mm	460	480	480	480
Blades	Swing-back Blade (4 blades)	Swing-back Blade (4 blades)	Swing-back Blade (4 blades)	Swing-back Blade (4 blades)
Bagger capacity, litre	44	44	44	44









[www.husqvarna.com](http://www.husqvarna.com)

Original instructions

115 75 75-26



2015-06-26