

Gasoline containing up to 10% ethanol (E10) is acceptable for use in this machine. The use of any gasoline exceeding 10% ethanol (E10) will void the product warranty.

Vous pouvez utiliser de l'essence contenant jusqu'à 10 % d'éthanol (E10) avec cet appareil. L'utilisation d'essence contenant plus de 10 % d'éthanol annulera la garantie du produit.



115 73 10-32 Rev. 1

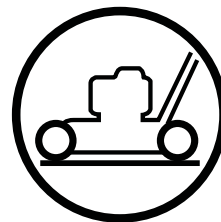
Operator's Manual

Manuel de L'Opérateur

HU700H / 961450023

Please read the operator's manual carefully and make sure you understand the instructions before using the machine.

Lisez très attentivement et soyez certain de comprendre ces instructions avant d'utiliser cette machine.



English/French

⚠ SAFETY RULES ⚠

IMPORTANT: THIS CUTTING MACHINE IS CAPABLE OF AMPUTATING HANDS AND FEET AND THROWING OBJECTS. FAILURE TO OBSERVE THE FOLLOWING SAFETY INSTRUCTIONS COULD RESULT IN SERIOUS INJURY OR DEATH.



Look for this symbol to point out important safety precautions. It means CAUTION!!! BECOME ALERT!!! YOUR SAFETY IS INVOLVED.



WARNING: In order to prevent accidental starting when setting up, transporting, adjusting or making repairs, always disconnect spark plug wire and place wire where it cannot come in contact with plug.



CAUTION: Muffler and other engine parts become extremely hot during operation and remain hot after engine has stopped. To avoid severe burns on contact, stay away from these areas.



WARNING: Engine exhaust, some of its constituents, and certain vehicle components contain or emit chemicals known to the State of California to cause cancer and birth defects or other reproductive harm.



WARNING: Battery posts, terminals and related accessories contain lead and lead compounds, chemicals known to the State of California to cause cancer and birth defects or other reproductive harm. Wash hands after handling.



WARNING: This lawn mower is equipped with an internal combustion engine and should not be used on or near any unimproved forest-covered, brush-covered or grass-covered land unless the engine's exhaust system is equipped with a spark arrester meeting applicable local or state laws (if any). If a spark arrester is used, it should be maintained in effective working order by the operator.

In the state of California the above is required by law (Section 4442 of the California Public Resources Code). Other states may have similar laws. Federal laws apply on federal lands. A spark arrester for the muffler is available through your nearest authorized service center.

I. CHILDREN



WARNING: CHILDREN CAN BE SERIOUSLY INJURED OR KILLED BY THIS EQUIPMENT. Carefully read and follow all of the safety instructions below.

The American Academy of Pediatrics recommends that children be a minimum of 12 year of age before operating a pedestrian controlled lawn mower and a minimum of 16 years of age before operating a riding lawn mower.

Tragic accidents can occur if the operator is not alert to the presence of children. Children are often attracted to the machine and the mowing activity. *Never* assume that children will remain where you last saw them.

- Keep children out of the mowing area and under the watchful care of a responsible adult *other than* the operator.
- Be alert and turn machine off if children enter the area.
- Before and while walking backwards, look behind and *down* for small children.
- Never allow children to operate the machine.

II. GENERAL OPERATION

- Read, understand, and follow all instructions on the machine and in the manual(s) before starting. Be thoroughly familiar with the controls and the proper use of the machine before starting.
- Do not put hands or feet near or under rotating parts. Keep clear of the discharge opening at all times.
- Only allow responsible individuals, who are familiar with the instructions, to operate the machine.
- Clear the area of objects such as rocks, toys, wire, bones, sticks, etc., which could be picked up and thrown by blade. Stay behind the handle when the engine (motor) is running.
- Be sure the area is clear of other people before mowing. Stop machine if anyone enters the area.
- Do not operate machine barefooted or while wearing sandals. Always wear substantial footwear with good ankle support while mowing.
- Do not pull mower backwards unless absolutely necessary. Always look down and behind before and while moving backwards.
- Never direct discharged material toward anyone. Avoid discharging material against a wall or obstruction. Material may ricochet back toward the operator. Stop blade when crossing gravel surfaces.
- Do not operate the mower without proper guards, plates, grass catcher or other safety protective devices in place.
- See manufacturer's instructions for proper operation and installation of accessories. Only use accessories approved by the manufacturer.
- Stop the blade(s) when crossing gravel drives, walks, or roads.
- Never leave a running machine unattended.
- Stop the engine (motor) and wait until the blade comes to a complete stop before cleaning the machine, removing the grass catcher, or unclogging the discharge chute.
- Mow only in daylight or good artificial light.
- Do not operate the machine while under the influence of alcohol or drugs.

- Never operate machine in wet grass. Always be sure of your footing: keep a firm hold on the handle; walk, never run.
- Disengage the drive system, if so equipped, before starting the engine (motor).
- If the equipment should start to vibrate abnormally, stop the engine (motor) and check immediately for the cause. Vibration is generally a warning of trouble.
- Always wear eye protection when operating machine.
- Use extra care when approaching blind corners, shrubs, trees, or other objects that may obscure vision.
- When loading or unloading this machine, do not exceed the maximum recommended operation angle of 15°.
- Wear proper Personal Protective Equipment (PPE) while operating this machine, including (at a minimum) sturdy footwear, eye protection, and hearing protection. Do not mow in shorts or open toed footwear.

Always let someone know you are outside mowing.

III. SLOPE OPERATION

Slopes are a major factor related to slip & fall accidents, which can result in severe injury. All slopes require extra caution. If you feel uneasy on a slope, do not mow it.

DO:

- Mow across the face of slopes: never up and down. Exercise extreme caution when changing direction on slopes.
- Remove obstacles such as rocks, tree limbs, etc.
- Watch for holes, ruts, bumps or hidden objects. Uneven terrain could cause a slip and fall accident. Tall grass can hide obstacles.

DO NOT:

- Do not mow near drop-offs, ditches or embankments. You could lose your footing or balance.
- Do not mow on wet grass or excessively steep slopes. Poor footing could cause a slip and fall accident.

IV. SAFE HANDLING OF GASOLINE

To avoid personal injury or property damage, use extreme care in handling gasoline. Gasoline is extremely flammable and the vapors are explosive.

- Extinguish all cigarettes, cigars, pipes and other sources of ignition.
- Use only an approved container.
- Never remove gas cap or add fuel with the engine running.
- Allow engine to cool before refueling.

- Never refuel the machine indoors.
- Never store the machine or fuel container where there is an open flame, spark or pilot light such as a water heater or on other appliances.
- Never fill containers inside a vehicle, on a truck or trailer bed with a plastic liner. Always place containers on the ground away from your vehicle before filling.
- Remove gas-powered equipment from the truck or trailer and refuel it on the ground. If this is not possible, then refuel such equipment with a portable container, rather than from a gasoline dispenser nozzle.
- Keep the nozzle in contact with the rim of the fuel tank or container opening at all times until fueling is complete. Do not use a nozzle lock-open device.
- If fuel is spilled on clothing, change clothing immediately.
- Never overfill fuel tank. Replace gas cap and tighten securely.

V. GENERAL SERVICE

- Never run a machine inside a closed area.
- Never make adjustments or repairs with the engine (motor) running. Disconnect the spark plug wire, and keep the wire away from the plug to prevent accidental starting.
- Keep all nuts and bolts tight to be sure the equipment is in safe working condition.
- Never tamper with safety devices. Check their proper operation regularly. Never do anything to interfere with the intended function of a safety device or reduce the protection provided by a safety device.
- Keep machine free of grass, leaves, or other debris build-up. Clean oil or fuel spillage. Allow machine to cool before storing.
- Stop and inspect the equipment if you strike an object. Repair, if necessary, before restarting.
- Never attempt to make wheel height adjustments while the engine is running.
- Grass catcher components are subject to wear, damage, and deterioration, which could expose moving parts or allow objects to be thrown. Frequently check components and replace with manufacturer's recommended parts, when necessary.
- Mower blades are sharp and can cut. Wrap the blade(s) or wear gloves, and use extra caution when servicing them.
- Do not change the engine governor setting or over-speed the engine.
- Maintain or replace safety and instruction labels, as necessary.

TABLE OF CONTENTS

SAFETY RULES	2-3
PRODUCT SPECIFICATIONS	4
CUSTOMER RESPONSIBILITIES	4
ASSEMBLY	4-5
OPERATION	6-10

MAINTENANCE SCHEDULE	11
MAINTENANCE	11-14
SERVICE AND ADJUSTMENTS	15-16
STORAGE	16-17
TROUBLESHOOTING	17-18
WARRANTY	19-20

CONGRATULATIONS on your purchase of a new lawn mower. It has been designed, engineered and manufactured to give you the best possible dependability and performance.

Should you experience any problem you cannot easily remedy, please contact your nearest authorized service center/department. We have competent, well-trained technicians and the proper tools to service or repair this lawn mower.

Please read and retain this manual. The instructions will enable you to assemble and maintain your lawn mower properly. Always observe the "SAFETY RULES".

SERIAL NUMBER: _____

DATE OF PURCHASE: _____

THE MODEL AND SERIAL NUMBERS WILL BE FOUND ON A DECAL ATTACHED TO THE REAR OF THE LAWN MOWER HOUSING.

YOU SHOULD RECORD BOTH SERIAL NUMBER AND DATE OF PURCHASE AND KEEP IN A SAFE PLACE FOR FUTURE REFERENCE.

PRODUCT SPECIFICATIONS

Gasoline Capacity and Type:	1.0 Quarts (1.14 Liters) (Unleaded Regular Only)
Oil Type (API SG-SL):	SAE 30 (above 0°C / 32°F) SAE 10W-30 (below 0°C / 32°F)
Oil Capacity:	0.58 Quarts (0.66 Liters)
Spark Plug:	NGKBPR5ES (Gap: .030"/0.76mm)
Valve Clearance: (± 0.04 mm)	Intake: 0.006 mm Exhaust: 0.008 mm
Blade Bolt Torque:	35–40 ft. lbs. (47–54 Nm)

CUSTOMER RESPONSIBILITIES

- Read and observe the safety rules.
- Follow a regular schedule in maintaining, caring for and using your lawn mower.
- Follow the instructions under "Maintenance" and "Storage" sections of this owner's manual.

ASSEMBLY

Read these instructions and this manual in its entirety before you attempt to assemble or operate your new lawn mower.

IMPORTANT: THIS LAWN MOWER IS SHIPPED WITHOUT OIL OR GASOLINE IN THE ENGINE.

Your new lawn mower has been assembled at the factory with the exception of those parts left unassembled for shipping purposes. All parts such as nuts, washers, bolts, etc., necessary to complete the assembly have been placed in the parts bag. To ensure safe and proper operation of your lawn mower, all parts and hardware you assemble must be tightened securely. Use the correct tools as necessary to ensure proper tightness.

TO REMOVE LAWN MOWER FROM CARTON

1. Remove loose parts included with mower.
2. Cut down two end corners of carton and lay end panel down flat.
3. Remove all packing materials except padding between upper and lower handle and padding holding operator presence control bar to upper handle.
4. Roll lawn mower out of carton and check carton thoroughly for additional loose parts.

HOW TO SET UP YOUR LAWN MOWER TO UNFOLD HANDLE (See Figs. 1 and 2)

IMPORTANT: UNFOLD HANDLE CAREFULLY SO AS NOT TO PINCH OR DAMAGE CONTROL CABLES.

1. Raise lower handle section to operating position and align holes in lower handle with holes in handle brackets.
2. Insert handle bolts through lower handles and handle brackets; secure with lower ("standard") knobs.

3. Remove protective padding, raise upper handle section into place on lower handle and tighten both upper ("star") knobs.

4. Remove any packing material from around control bar.

Your handles may be adjusted for your mowing comfort. Refer to "ADJUST HANDLE" in the Service and Adjustments section of this manual.

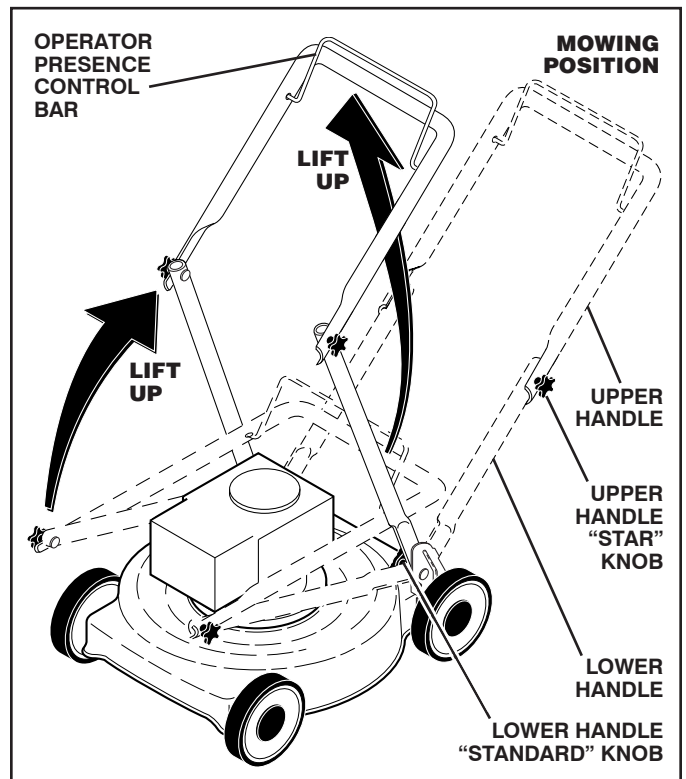


FIG. 1

ASSEMBLY

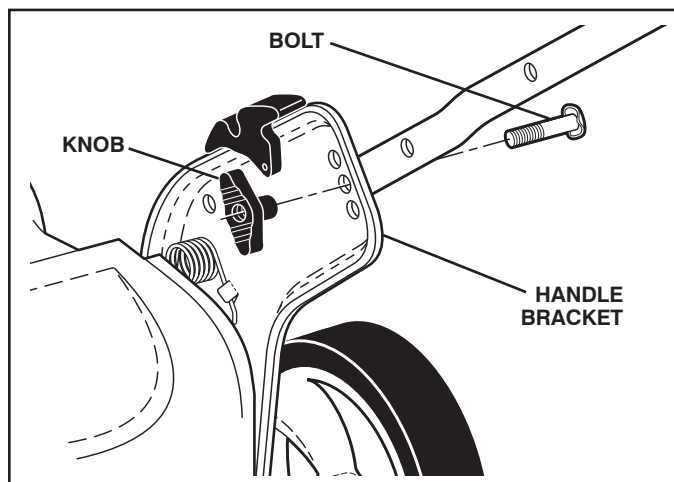


FIG. 2

TO ASSEMBLE GRASS CATCHER (See Fig. 3)

1. Put grass catcher frame into grass bag with rigid part of bag on the bottom. Make sure the frame handle is outside of the bag top.
2. Slip vinyl bindings over frame.

NOTE: If vinyl bindings are too stiff, hold them in warm water for a few minutes. If bag gets wet, let it dry before using.

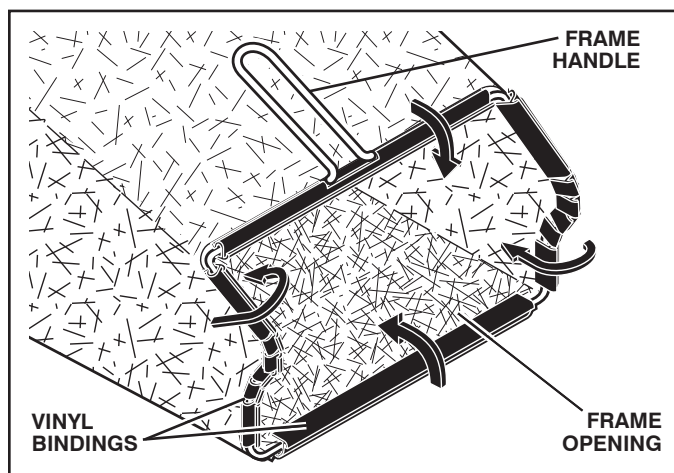


FIG. 3

INSTALL STARTER ROPE (See Fig. 4)

1. Loosen T-knob.
2. Hold control bar against upper handle.
3. Slowly pull engine starter rope out until rope will slip into loop of rope guide.
4. Tighten T-knob.

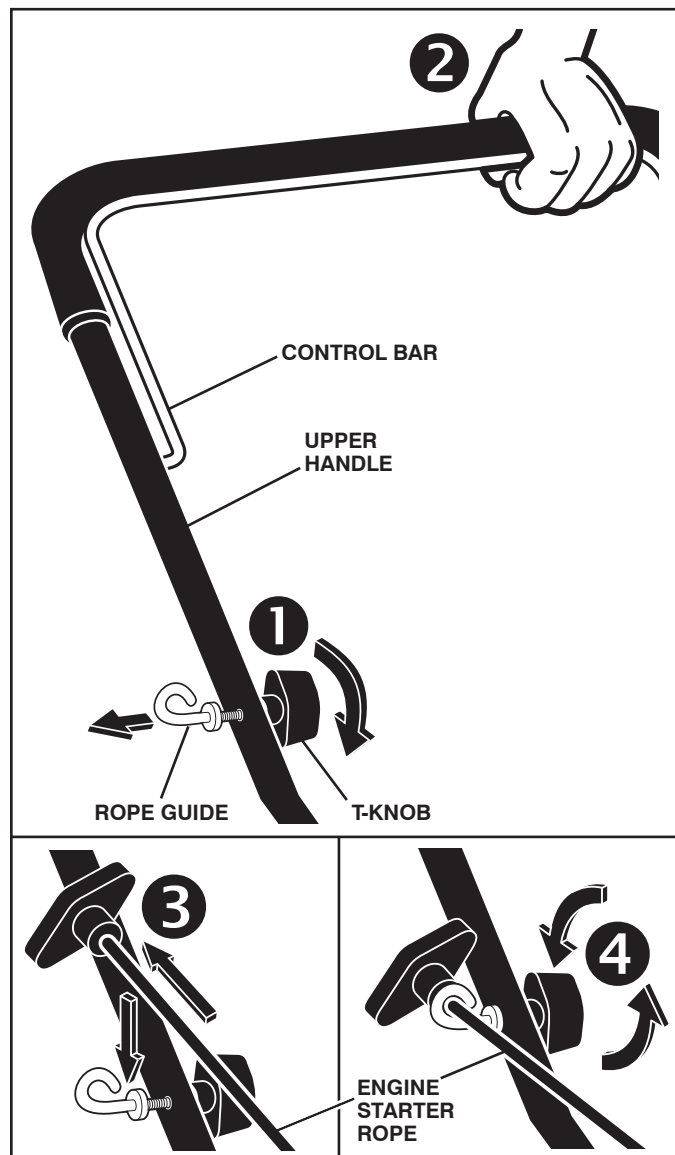


FIG. 4

TO INSTALL ATTACHMENTS

Your lawn mower was shipped ready to be used as a mulcher. To convert mower to bagging or discharging, see "TO CONVERT MOWER" in the Operation section of this manual.

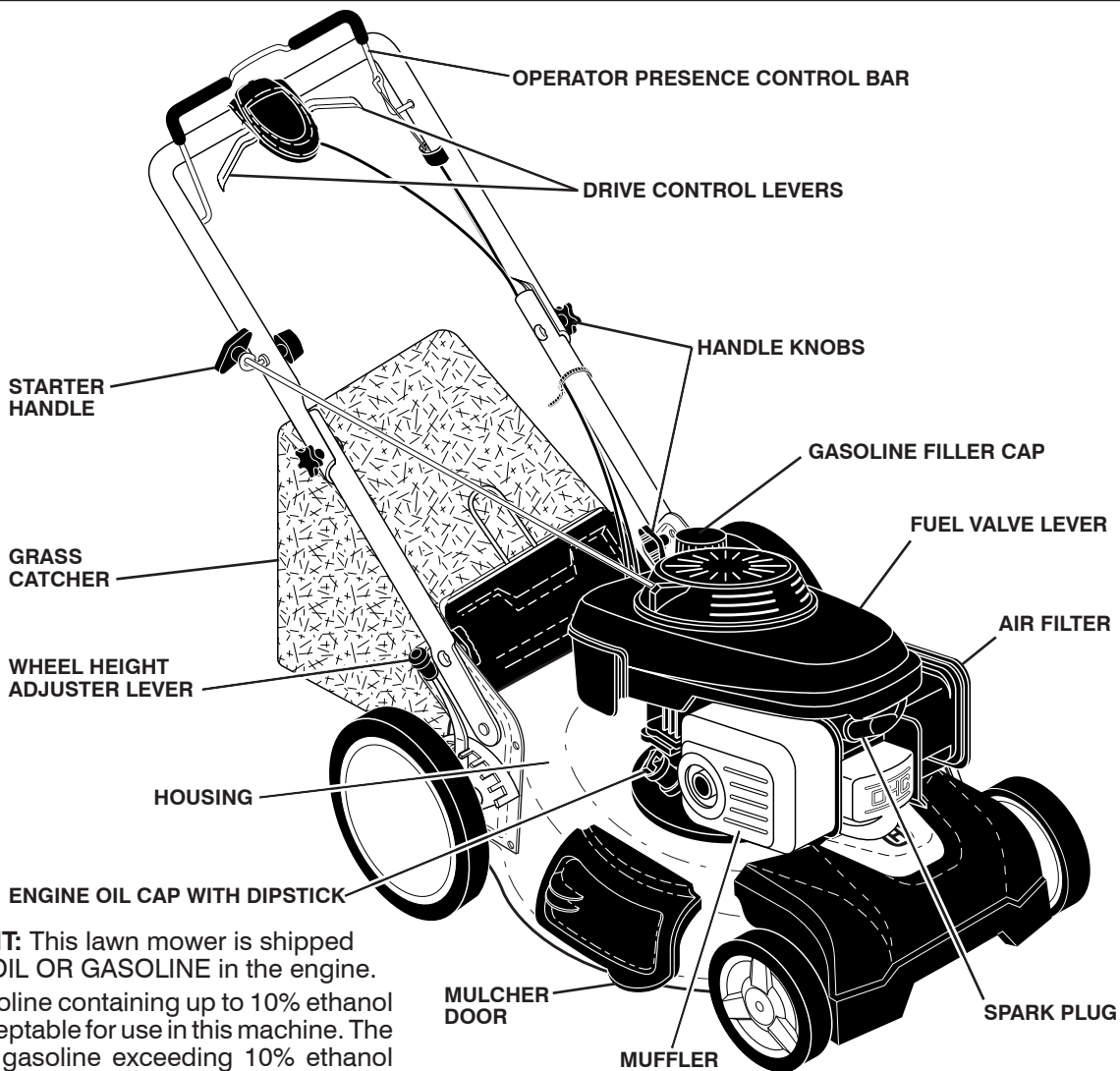
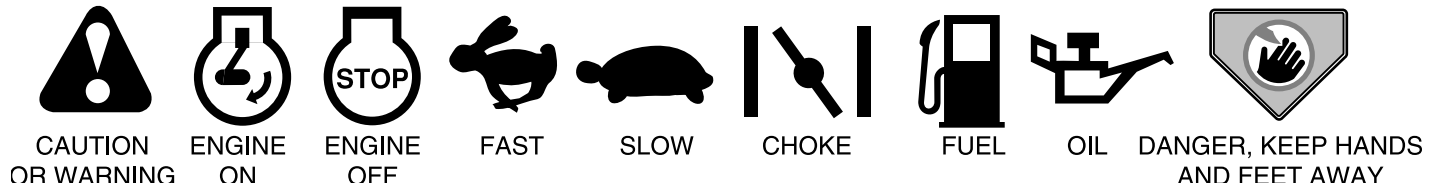
OPERATION

KNOW YOUR LAWN MOWER

READ THIS OWNER'S MANUAL AND SAFETY RULES BEFORE OPERATING YOUR LAWN MOWER.

Compare the illustrations with your lawn mower to familiarize yourself with the location of various controls and adjustments. Save this manual for future reference.

These symbols may appear on your lawn mower or in literature supplied with the product. Learn and understand their meaning.



IMPORTANT: This lawn mower is shipped WITHOUT OIL OR GASOLINE in the engine.

NOTE: Gasoline containing up to 10% ethanol (E10) is acceptable for use in this machine. The use of any gasoline exceeding 10% ethanol (E10) will void the product warranty.

MEETS CPSC SAFETY REQUIREMENTS

Our rotary walk-behind power lawn mowers conform to the safety standards of the American National Standards Institute and the U.S. Consumer Product Safety Commission. **▲WARNING:** The blade turns when the engine is running.

OPERATOR PRESENCE CONTROL BAR – must be held down to the handle to start the blade. Release to stop the blade.

DRIVE CONTROL LEVERS – used to engage power-propelled forward motion lawn mower.

STARTER HANDLE – used for starting the engine.

MULCHER DOOR – allows conversion to discharge or bagging operation.

OPERATION



The operation of any lawn mower can result in foreign objects thrown into the eyes, which can result in severe eye damage. Always wear safety glasses or eye shields while operating your lawn mower or performing any adjustments or repairs. We recommend standard safety glasses or a wide vision safety mask over spectacles.



Use ear protectors to avoid damage to hearing.

HOW TO USE YOUR LAWN MOWER

ENGINE SPEED

The engine speed was set at the factory for optimum performance. Speed is not adjustable.

ENGINE ZONE CONTROL



CAUTION: Federal regulations require an engine control to be installed on this lawn mower in order to minimize the risk of blade contact injury. Do not under any circumstances attempt to defeat the function of the operator control. The blade turns when the engine is running.

- Your lawn mower is equipped with an operator presence control bar which requires the operator to be positioned behind the mower handle to start and operate the mower.

DRIVE CONTROL (See Fig. 4)

- Self-propelling is controlled by holding the operator presence control bar down to the handle and pulling either drive control lever rearward to the handle. The further toward the handle a lever is pulled, the faster the unit will travel.
- Forward motion will stop when either the operator presence control bar or a drive control lever are released. To stop forward motion without stopping engine, release a drive control lever only. Hold operator presence control bar down against handle to continue mowing without self-propelling.

NOTE: If after releasing the drive control the mower will not roll backwards, push the mower forward slightly to disengage drive wheels.

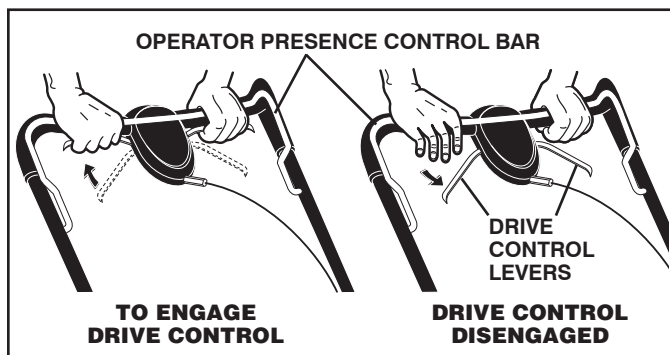


FIG. 4

DRIVE CONTROL ADJUSTMENT (See Fig. 5)

Over time, the drive control system may become “loose”, resulting in decreased speed. There is a turnbuckle on the drive control housing to increase tension on the drive cable. Proceed as follows:

- Turn unit off and disconnect spark plug wire from spark plug.

- Rotate turnbuckle on drive control to increase drive speed.
- Operate mower to test drive speed. Readjust as required.
- If condition fails to improve after the above steps (forward speed remains the same), your drive belt is worn and should be replaced.

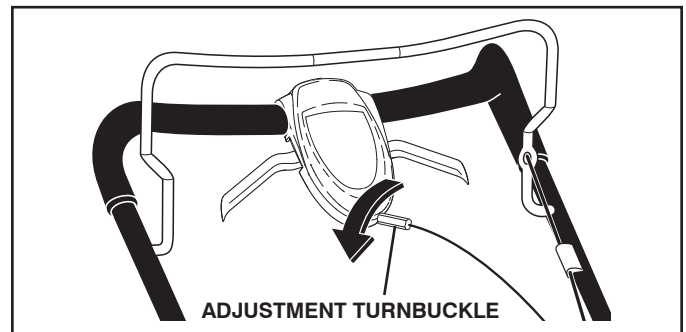


FIG. 5

TO ADJUST CUTTING HEIGHT (See Fig. 6)

All four wheels are adjusted by a single lever.

- Pull adjuster lever toward wheel. To raise mower, move lever forward to desired position. To lower mower, move the lever toward the rear.

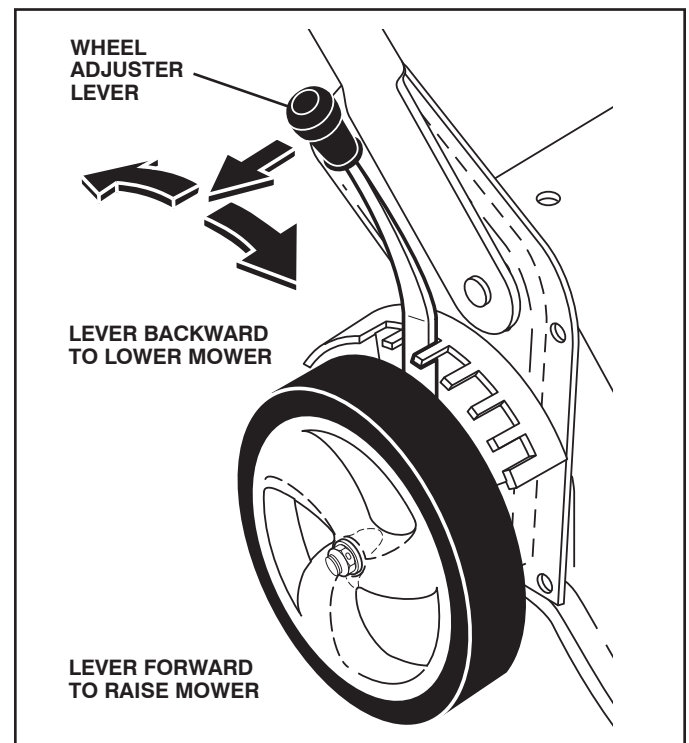


FIG. 6

OPERATION

TO CONVERT MOWER

Your lawn mower was shipped ready to be used as a mulcher. To convert to bagging or discharging:

REAR BAGGING (See Fig. 7)

- Lift rear door of the lawn mower and place the grass catcher frame hooks onto the grass bag brackets.
- To convert to mulching or discharging operation, remove grass catcher and close rear door.

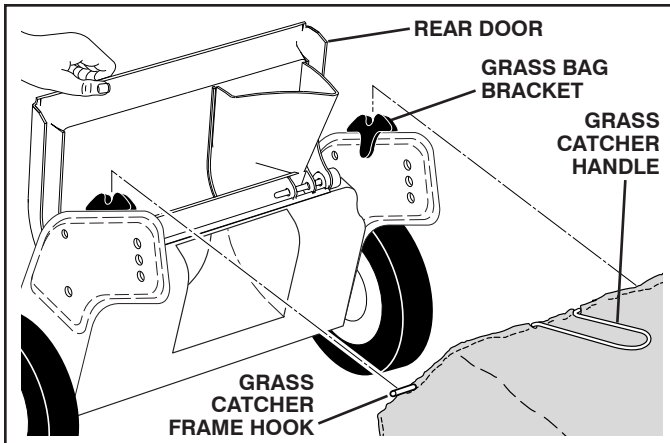


FIG. 7

SIMPLE STEPS TO REMEMBER WHEN CONVERTING YOUR LAWN MOWER

FOR MULCHING -

1. Rear door closed.
2. Mulcher door closed and locked.

FOR REAR BAGGING -

1. Grass catcher installed.
2. Mulcher door closed and locked.

FOR SIDE DISCHARGING -

1. Rear door closed.
2. Discharge deflector installed.



CAUTION: Do not run your lawn mower without rear door closed or approved grass catcher in place. Never attempt to operate the lawn mower with the rear door removed or propped open.

SIDE DISCHARGING (See Fig. 8)

- Rear door must be closed.
- Open mulcher door and install discharge deflector under door as shown.
- Mower is now ready for discharging operation.
- To convert to mulching or bagging operation, discharge deflector must be removed and mulcher door must be closed and locked.

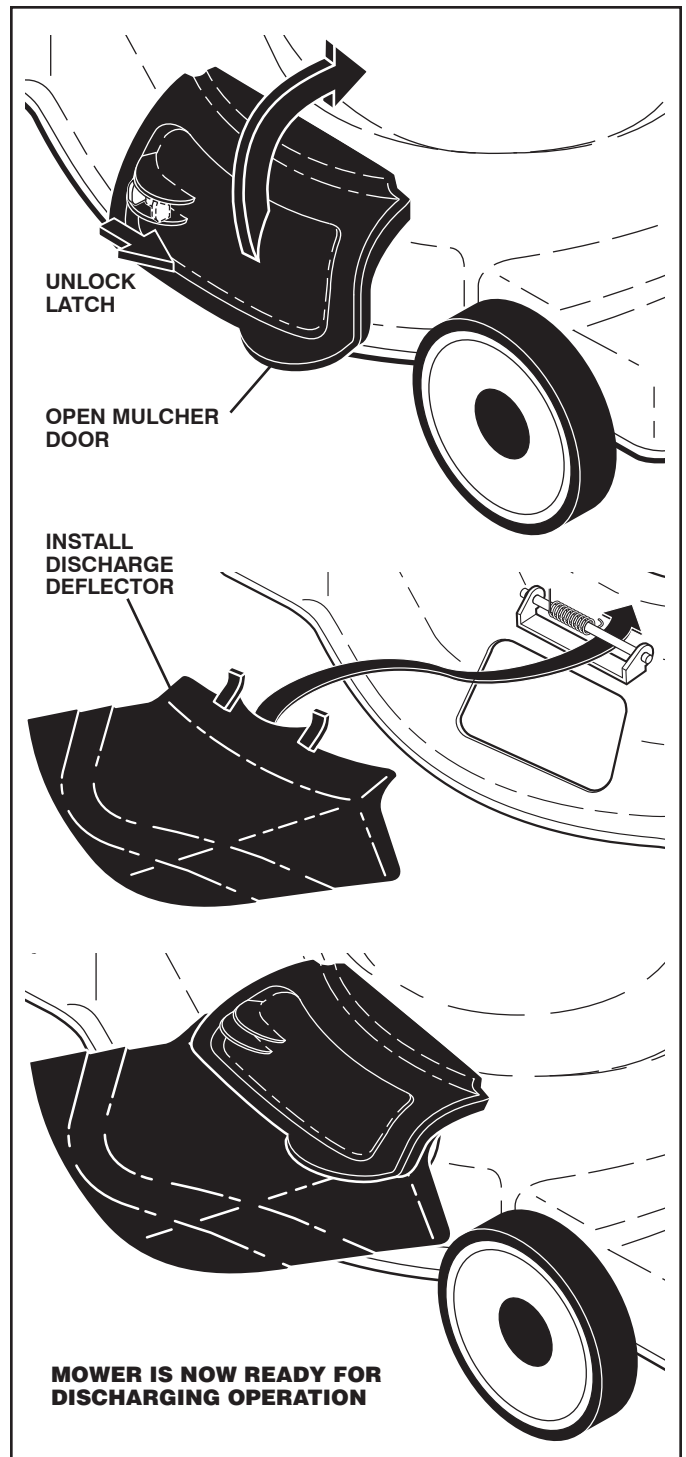


FIG. 8

OPERATION

TO EMPTY GRASS CATCHER (See Fig. 9)

1. Lift up on grass catcher using the frame handle.
2. Remove grass catcher with clippings from under lawn mower handle.
3. Empty clippings from bag using both frame handle and bag handle.

NOTE: Do not drag the bag when emptying; it will cause unnecessary wear.

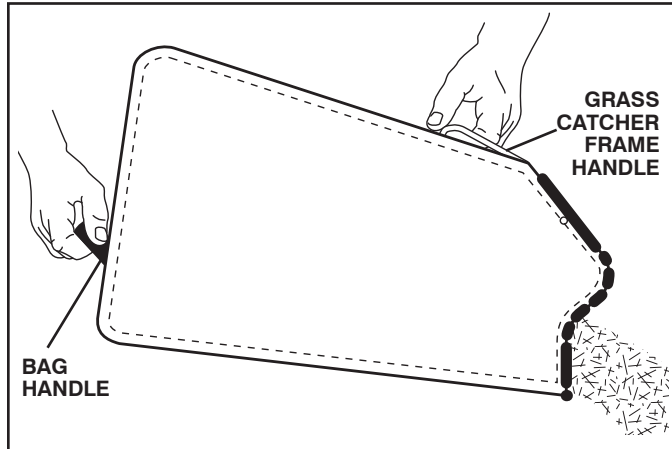


FIG. 9

BEFORE STARTING ENGINE

ADD OIL (See Fig. 10)

Your lawnmower is shipped without oil in the engine. For type and grade of oil to use, see “ENGINE” in the Maintenance section of this manual.



CAUTION: DO NOT overfill engine with oil, or it will smoke on startup.

1. Be sure lawnmower is level.
2. Remove oil fill cap/dipstick from oil fill spout.
3. You receive a container of oil with the unit. Slowly pour the entire container down the oil fill spout into the engine.
4. Insert and tighten oil fill cap/dipstick.

IMPORTANT:

- Check oil level before each use. Add oil if needed. Fill to full line on dipstick.
- Change the oil after every 25 hours of operation or each season. You may need to change the oil more often under dusty, dirty conditions. See “TO CHANGE ENGINE OIL” in the Maintenance section of this manual.

ADD GASOLINE (See Fig. 10)

- Fill fuel tank to bottom of tank filler neck. Do not overfill. Use fresh, clean, regular unleaded gasoline with a minimum of 87 octane. Do not mix oil with gasoline. Purchase fuel in quantities that can be used within 30 days to assure fuel freshness.

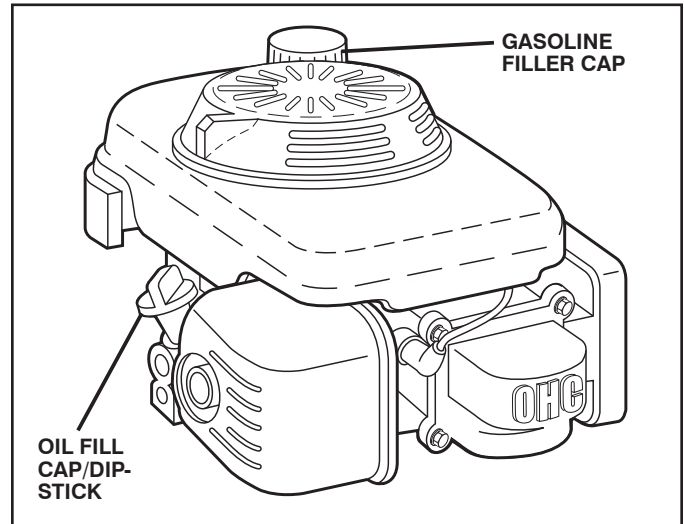


FIG. 10

CAUTION: Wipe off any spilled oil or fuel. Do not store, spill or use gasoline near an open flame.



Alcohol blended fuels (called gasohol or using ethanol or methanol) can attract moisture which leads to separation and formation of acids during storage. Acidic gas can damage the fuel system of an engine while in storage. To avoid engine problems, the fuel system should be emptied before storage of 30 days or longer. Empty the gas tank, start the engine and let it run until the fuel lines and carburetor are empty. Use fresh fuel next season. See Storage Instructions for additional information. Never use engine or carburetor cleaner products in the fuel tank or permanent damage may occur.

TO STOP ENGINE (See Fig. 11)

- To stop engine, release operator presence control bar. Wait until blade and all moving parts have stopped and turn fuel valve to OFF position if you do not intend to restart the engine soon.

TO START ENGINE (See Fig. 11)

NOTE: Due to protective coatings on the engine, a small amount of smoke may be present during the initial use of the product and should be considered normal.

1. Be sure fuel valve is in the ON position.
2. Hold operator presence control bar down to the handle and pull starter handle quickly. Do not allow starter rope to snap back.

OPERATION

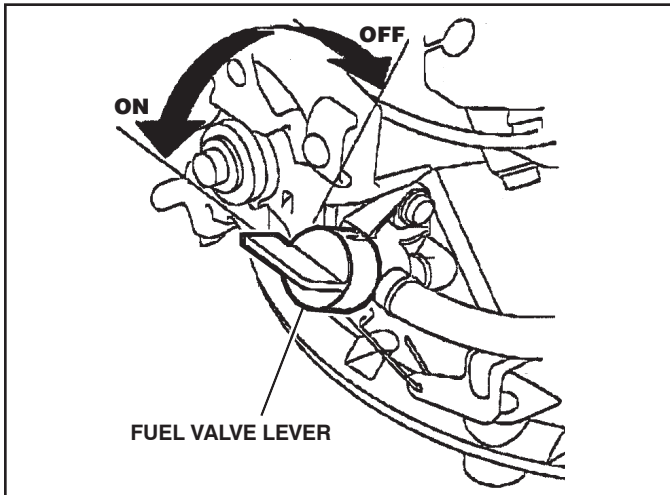


FIG. 11

MOWING TIPS



CAUTION: Do not use de-thatcher blade attachments on your mower. Such attachments are hazardous, will damage your mower and could void your warranty.

- Under certain conditions, such as very tall grass, it may be necessary to raise the height of cut to reduce pushing effort and to keep from overloading the engine and leaving clumps of grass clippings. It may also be necessary to reduce ground speed and/or run the lawn mower over the area a second time.
- For extremely heavy cutting, reduce the width of cut by overlapping previously cut path and mow slowly.
- For better grass bagging and most cutting conditions, the engine speed should be set in the fast position.
- Pores in cloth grass catchers can become filled with dirt and dust with use and catchers will collect less grass. To prevent this, regularly hose catcher off with water and let dry before using.
- Keep top of engine around starter clear and clean of grass clippings and chaff. This will help engine air flow and extend engine life.

MULCHING MOWING TIPS

IMPORTANT: FOR BEST PERFORMANCE, KEEP MOWER HOUSING FREE OF BUILT-UP GRASS AND TRASH. SEE "CLEANING" IN THE MAINTENANCE SECTION OF THIS MANUAL.

- The special mulching blade will recut the grass clippings many times and reduce them in size so that as they fall onto the lawn they will disperse into the grass and not be noticed. Also, the mulched grass will biodegrade quickly to provide nutrients for the lawn. Always mulch with your highest engine (blade) speed as this will provide the best recutting action of the blades.
- Avoid cutting your lawn when it is wet. Wet grass tends to form clumps and interferes with the mulching action. The best time to mow your lawn is the early afternoon. At this time the grass has dried, yet the newly cut area will not be exposed to direct sunlight.
- For best results, adjust the lawn mower cutting height so that the lawn mower cuts off only the top one-third of the grass blades (See Fig. 12). If the lawn is overgrown it will be necessary to raise the height of cut to reduce pushing effort and to keep from overloading the engine and leaving clumps of mulched grass. For extremely heavy mulching, reduce your width of cut by overlapping previously cut path and mow slowly.

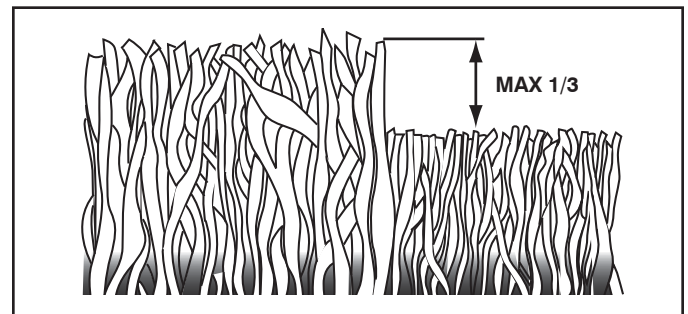


FIG. 12

- Certain types of grass and grass conditions may require that an area be mulched a second time to completely hide the clippings. When doing a second cut, mow across (perpendicular) to the first cut path.
- Change your cutting pattern from week to week. Mow north to south one week then east to west the next week. This will help prevent matting and graining of the lawn.

MAINTENANCE

MAINTENANCE SCHEDULE		BEFORE EACH USE	AFTER EACH USE	EVERY 10 HOURS	EVERY 25 HOURS OR SEASON	EVERY 100 HOURS	BEFORE STORAGE
LAWN MOWER	Check for Loose Fasteners	✓					✓
	Clean / Inspect Grass Catcher *	✓	✓				✓
	Check Tires	✓					
	Check Drive Wheels ***	✓					
	Clean Lawn Mower ****		✓				✓
ENGINE	Clean under Drive Cover ***			✓			
	Check Drive Belt / Pulleys ***				✓		
	Check / Sharpen / Replace Blade				✓ ₃		
	Lubrication				✓		
	Clean and Recharge Battery **				✓		✓ ₄
ENGINE	Check Engine Oil level	✓ ₅					
	Change Engine Oil				✓ _{1,2}		
	Clean Air Filter				✓ ₂		
	Inspect Muffler				✓		
	Replace Spark Plug					✓	
	Replace Air Filter Paper Cartridge					✓ ₂	
Empty fuel system or add Stabilizer						✓	

* (if so equipped)

** Electric-Start mowers

*** Power-Propelled mowers

**** Use a scraper to clean under deck

1 - Change more often if operating under a heavy load or in high outdoor temperatures.

2 - Service more often if operating in dirty or dusty conditions.

3 - Replace blades more often when mowing in sandy soil.

4 - Charge 48 hours at end of season.

5 - And after each 5 hours of use.

GENERAL RECOMMENDATIONS

The warranty on this lawn mower does not cover items that have been subjected to operator abuse or negligence. To receive full value from the warranty, operator must maintain mower as instructed in this manual. Some adjustments will need to be made periodically to properly maintain your unit. At least once a season, check to see if you should make any of the adjustments described in the Service and Adjustments section of this manual.

- At least once a year, replace the spark plug, clean or replace air filter element and check blade for wear. A new spark plug and clean/new air filter element assure proper air-fuel mixture and help your engine run better and last longer.
- Follow the maintenance schedule in this manual.

BEFORE EACH USE

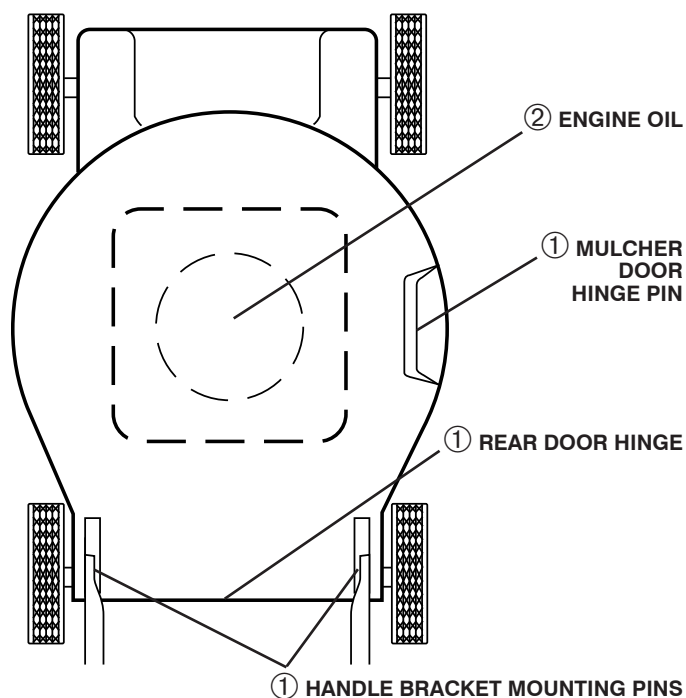
1. Check engine oil level.
2. Check for loose fasteners.

LUBRICATION

Keep unit well lubricated (See "LUBRICATION CHART").

IMPORTANT: DO NOT OIL OR GREASE PLASTIC WHEEL BEARINGS. VISCOUS LUBRICANTS WILL ATTRACT DUST AND DIRT THAT WILL SHORTEN THE LIFE OF THE SELF-LUBRICATING BEARINGS. IF YOU FEEL THEY MUST BE LUBRICATED, USE ONLY A DRY, POWDERED GRAPHITE TYPE LUBRICANT SPARINGLY.

LUBRICATION CHART



① SPRAY LUBRICANT

② SEE "ENGINE" IN MAINTENANCE SECTION

MAINTENANCE

LAWN MOWER

Always observe safety rules when performing any maintenance.

TIRES

- Keep tires free of gasoline, oil, or insect control chemicals which can harm rubber.
- Avoid stumps, stones, deep ruts, sharp objects and other hazards that may cause tire damage.

DRIVE WHEELS

Check rear drive wheels each time you mow to be sure they move freely. The wheels not turning freely means trash, grass cuttings, etc., may be inside the drive wheel and dust cover area and must be cleaned out to free drive wheels.

If necessary to clean the drive wheels, check both rear wheels.

BLADE CARE

For best results, mower blade must be kept sharp. Replace a bent or damaged blade.



CAUTION: Use only a replacement blade approved by the manufacturer of your mower. Using a blade not approved by the manufacturer of your mower is hazardous, could damage your mower and void your warranty.

TO REMOVE BLADE (See Fig. 13)

1. Disconnect spark plug wire from spark plug and place wire where it cannot come in contact with plug.
2. Turn lawn mower on its side. Make sure air filter and carburetor are up.
3. Use a wood block between blade and mower housing to prevent blade from turning when removing blade bolt.

NOTE: Protect your hands with gloves and/or wrap blade with heavy cloth.

4. Remove blade bolt by turning counter-clockwise.
5. Remove blade and attaching hardware (bolt, lock washer and hardened washer).
6. Remove debris shield.

NOTE: Remove the blade adapter and check the key inside hub of blade adapter. The key must be in good condition to work properly. Replace adapter if damaged.

TO REPLACE BLADE (See Fig. 13)

1. Position the blade adapter on the engine crankshaft. Be sure key in adapter and crankshaft keyway are aligned; and that the drive belt is inside the tab of the belt retainer.
2. Install debris shield.
3. Position blade on the blade adapter.

IMPORTANT: TO ENSURE PROPER ASSEMBLY, CENTER HOLE IN BLADE MUST ALIGN WITH STAR ON BLADE ADAPTER.

4. Be sure the trailing edge of blade (opposite sharp edge) is up toward the engine.
5. Install the blade bolt with the lock washer and hardened washer into blade adapter and crankshaft.

6. Use block of wood between blade and lawn mower housing and tighten the blade bolt, turning clockwise.
- The recommended tightening torque is 35–40 ft. lbs. (47–54 Nm).

IMPORTANT: BLADE BOLT IS HEAT TREATED. IF BOLT NEEDS REPLACING, REPLACE ONLY WITH APPROVED BOLT.

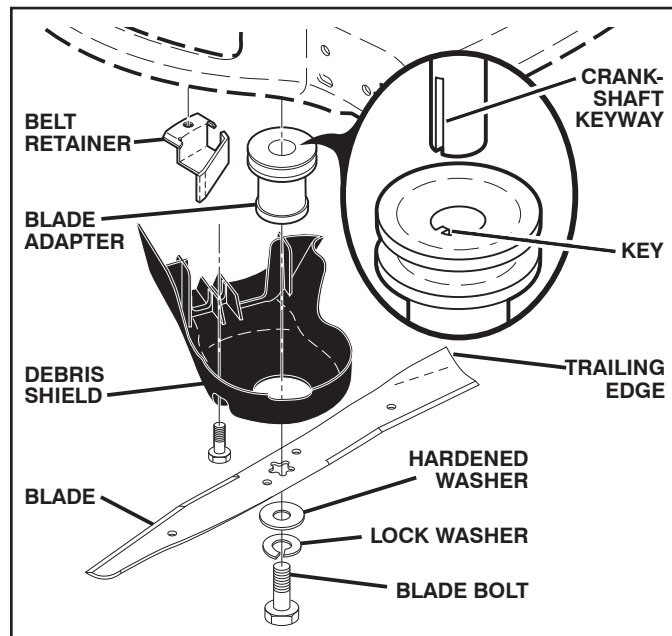


FIG. 13

TO SHARPEN BLADE (See Fig. 14)

NOTE: We do not recommend sharpening blade - but if you do, be sure the blade is balanced. An unbalanced blade will cause eventual damage to lawn mower or engine.

- The blade can be sharpened with a file or on a grinding wheel. Do not attempt to sharpen while on the mower.
- To check blade balance, you will need a 5/8" diameter steel bolt, pin, or a cone balancer. (When using a cone balancer, follow the instructions supplied with balancer.)

NOTE: Do not use a nail for balancing blade. The lobes of the center hole may appear to be centered, but are not.

- Slide blade on to an unthreaded portion of the steel bolt or pin and hold the bolt or pin parallel with the ground. If blade is balanced, it should remain in a horizontal position. If either end of the blade moves downward, sharpen the heavy end until the blade is balanced.

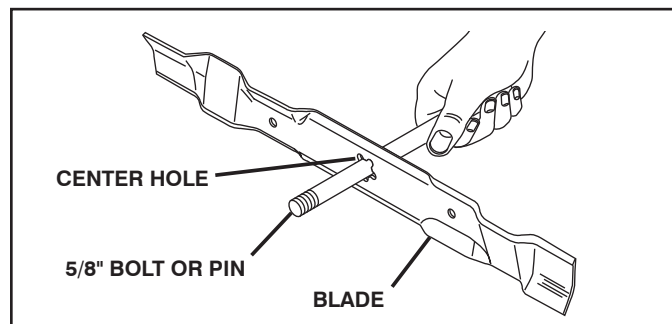


FIG. 14

MAINTENANCE

GRASS CATCHER

- The grass catcher may be hosed with water, but must be dry when used.
- Check your grass catcher often for damage or deterioration. Through normal use it will wear. If catcher needs replacing, replace only with approved replacement catcher. Give the lawn mower model number when ordering.

GEAR CASE

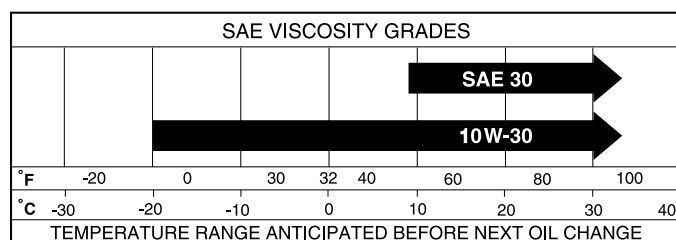
- To keep your drive system working properly, the gear case and area around the drive should be kept clean and free of trash build-up. Clean under the drive cover twice a season.
- The gear case is filled with lubricant to the proper level at the factory. The only time the lubricant needs attention is if service has been performed on the gear case.

ENGINE

Maintenance, repair, or replacement of the emission control devices and systems, which are being done at the customer's expense, may be performed by any non-road engine repair establishment or individual. Warranty repairs must be performed by an authorized engine manufacturer's service outlet.

LUBRICATION

Use only high quality detergent oil rated with API service classification SG-SL. Select the oil's SAE viscosity grade according to your expected operating temperature.



NOTE: Multi-viscosity oils (5W30, 10W30 etc.) improve starting in cold weather, and you should check your engine oil level frequently to avoid possible engine damage from running low on oil.

Change the oil after every 25 hours of operation or at least once a year if the lawn mower is not used for 25 hours in one year.

Check the crankcase oil level before starting the engine and after each five (5) hours of continuous use. Tighten oil plug securely each time you check the oil level.

TO CHANGE ENGINE OIL (See Figs. 15 & 16)

NOTE: Before tipping lawn mower to drain oil, empty fuel tank by running engine until fuel tank is empty.

1. Disconnect spark plug wire from spark plug and place wire where it cannot come in contact with plug.
2. Remove oil fill cap/dipstick; lay aside on a clean surface.
3. Tip lawn mower on its side as shown and drain oil into a suitable container. Rock lawn mower back and forth to remove any oil trapped inside of engine.

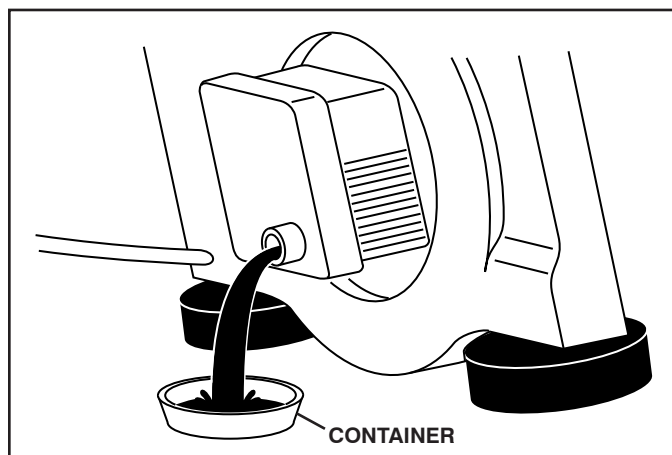


FIG. 15

4. Wipe off any spilled oil from lawn mower or side of engine.
5. Fill engine with oil. Slowly pour oil down the oil fill spout into the engine.
6. Wait one minute to allow oil to settle. Use gauge on oil fill cap/dipstick for checking level. Insert dipstick into the tube and rest the oil fill cap on the tube. DO NOT thread the cap into the tube when taking reading.

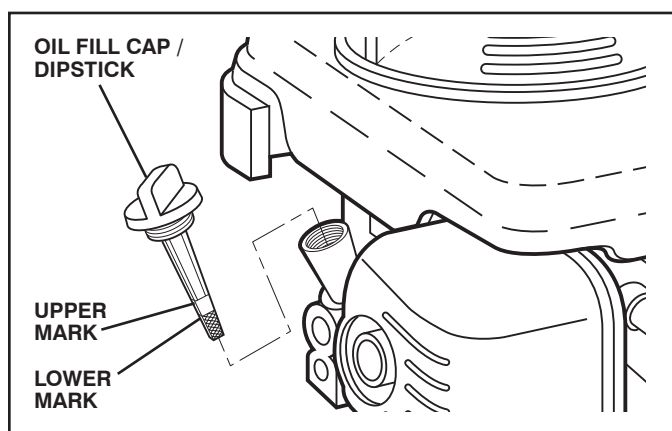


FIG. 16

7. Continue adding small amounts of oil and rechecking the dipstick until it reads full. DO NOT overfill, or engine will smoke on startup.
8. Always be sure to retighten oil fill cap/dipstick before starting engine.
9. Reconnect spark plug wire to spark plug.

AIR FILTER (See Fig. 17)

Your engine will not run properly and may be damaged by using a dirty air filter. Replace the air filter every 100 hours of operation or every season, whichever occurs first. Service air cleaner more often under dusty conditions.

TO CLEAN AIR FILTER

1. Remove cover.
2. Carefully remove cartridge.
3. Clean by gently tapping on a flat surface. If very dirty, replace cartridge.

MAINTENANCE



CAUTION: Petroleum solvents, such as kerosene, are not to be used to clean cartridge. They may cause deterioration of the cartridge. Do not oil cartridge. Do not use pressurized air to clean or dry cartridge.

4. Install cartridge, then replace cover.

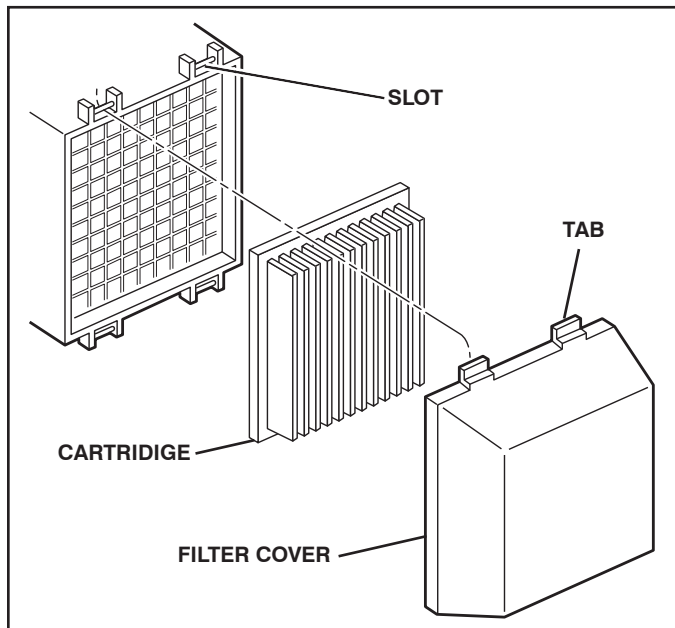


FIG. 17

MUFFLER

Inspect and replace corroded muffler as it could create a fire hazard and/or damage.

SPARK PLUG

Replace spark plug at the beginning of each mowing season or after every 100 hours of operation, whichever occurs first. Spark plug type and gap setting are shown in the "PRODUCT SPECIFICATIONS" section of this manual.

CLEANING

IMPORTANT: FOR BEST PERFORMANCE, KEEP MOWER HOUSING FREE OF BUILT-UP GRASS AND TRASH. CLEAN THE UNDERSIDE OF YOUR MOWER AFTER EACH USE.



CAUTION: Disconnect spark plug wire from spark plug and place wire where it cannot come in contact with plug.

- Clean the underside of your lawn mower by scraping to remove build-up of grass and trash.
- Clean engine often to keep trash from accumulating. A clogged engine runs hotter and shortens engine life.
- Keep finished surfaces / wheels free of gasoline, oil, etc.
- With the exception of the water washout port (if equipped), we do not recommend using a garden hose to clean the outside of your lawn mower unless the electrical system, muffler, air filter and carburetor are covered to keep water out. Water in engine can result in shortened engine life.

CLEAN UNDER DRIVE COVER

Clean under drive cover at least twice a season. Scrape underside of cover with putty knife or similar tool to remove any build-up of trash or grass on underside of drive cover.

WATER WASHOUT FEATURE (See Fig. 18)

Your lawn mower is equipped with a fitting that allows quick and easy cleaning of the underside of the housing. To use this feature, proceed as follows:

1. Move lawn mower to an area of cut grass or another hard surface.

NOTE: Water, grass and other debris will drain from beneath the mower housing during the washout process.

2. Remove grass catcher and discharge chute assembly from lawn mower.
3. Close mulcher door (if equipped).
4. Connect a garden hose to the fitting where shown.

IMPORTANT: BE SURE THE GARDEN HOSE IS NOT ROUTED UNDER THE LAWN MOWER HOUSING OR ENTANGLED IN THE WHEELS.

5. Turn on water supply and check for leaks at the fitting.

If no leaks are present, start engine (as described in the Operation section of this manual) and let engine run until the underside of the lawn mower is clean.



WARNING: Do not engage the drive system during the washout process.

6. Shut off the engine.
7. Shut off water supply and remove hose from fitting.



CAUTION: Do not remove hose from fitting while engine is running. Water in engine can result in shortened engine life.

8. Start engine (as described in the Operation section of this manual) and let engine run for a full minute to remove excess water from mower.

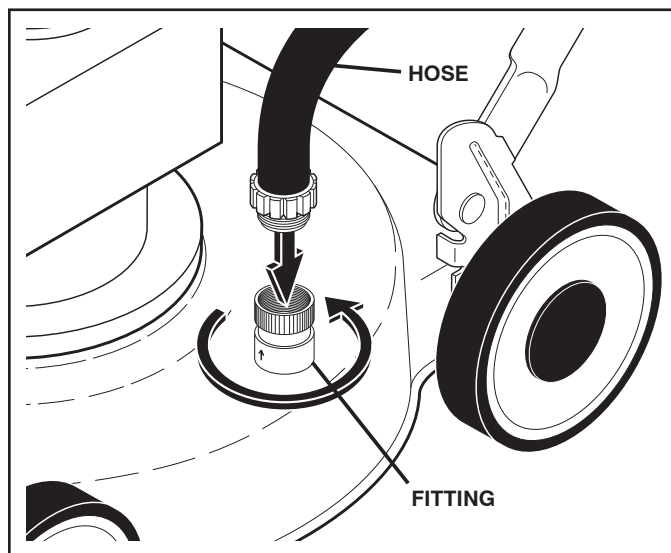


FIG. 18

SERVICE AND ADJUSTMENTS

CAUTION: TO AVOID SERIOUS INJURY, BEFORE PERFORMING ANY SERVICE OR ADJUSTMENTS:



1. Release control bar and stop engine.
2. Make sure the blade and all moving parts have completely stopped.
3. Disconnect spark plug wire from spark plug and place where it cannot come in contact with plug.

LAWN MOWER TO ADJUST CUTTING HEIGHT

See "TO ADJUST CUTTING HEIGHT" in the Operation section of this manual.

REAR DEFLECTOR

The rear deflector, attached between the rear wheels of your mower, is provided to minimize the possibility that objects will be thrown out of the rear of the mower into the operator's mowing position. Replace the rear deflector if damaged.

TO REMOVE DRIVE BELT (See Fig. 19)

1. Remove screws securing rear baffle.
 2. Turn mower on its side with air filter and carburetor up.
- NOTE:** Before tipping lawn mower to remove drive belt, empty fuel tank by running engine until fuel tank is empty.
3. Remove rear baffle from mower.
 4. Disconnect return spring from rear baffle / rear gearcase belt keeper.
 5. Remove blade bolt, lockwasher, hardened washer and blade.
 6. Remove debris shield.
 7. Remove gearcase belt keeper.
 8. Remove drive belt.

TO REPLACE DRIVE BELT (See Fig. 19)

1. Place new drive belt on gearcase pulley.
- NOTE:** Always use factory approved belt to assure proper fit and long life.
2. Reinstall gearcase belt keeper. Be sure the new drive belt is inside the tabs of the gearcase belt keeper.
 3. Position the blade adapter on the engine crankshaft. Be sure key in adapter and crankshaft keyway are aligned; and that the new drive belt is inside the tabs of the belt retainer.
 4. Reattach return spring to rear baffle / rear gearcase belt keeper.
 5. Place rear baffle in mower housing.
 6. Reinstall debris shield.
 7. Reinstall blade. The recommended tightening torque is 35–40 ft. lbs. (47–54 Nm).
 8. Return mower to upright position.
 9. Reinstall rear baffle screws.

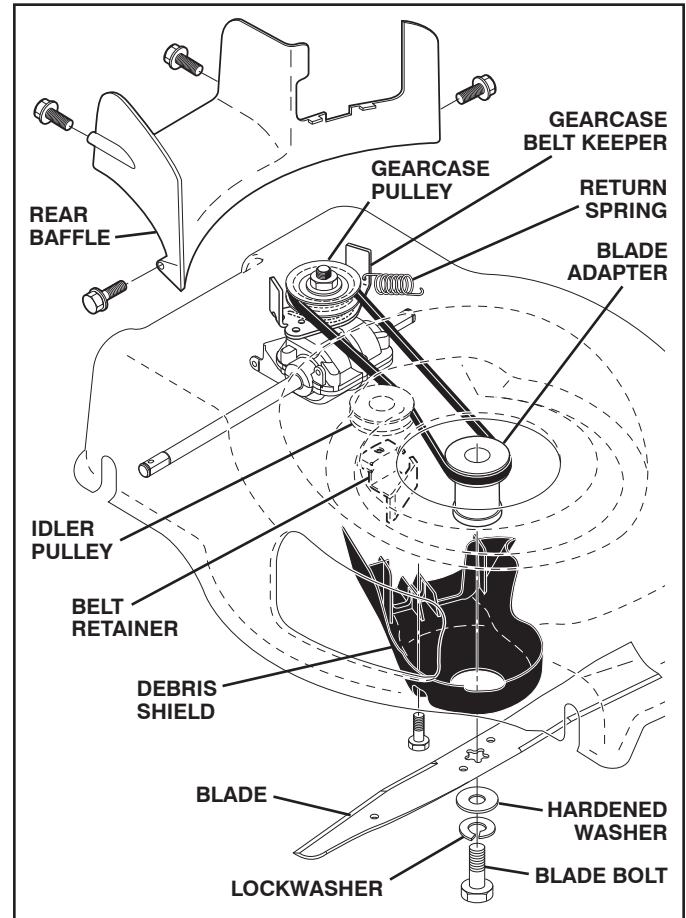


FIG. 19

TO ADJUST HANDLE (See Fig. 20)

The handle on your lawn mower has three (3) height positions - adjust to height that suits you.

1. Remove knob and carriage bolt on one side of the lower handle.
2. While holding handle assembly, remove knob and carriage bolt from opposite side, align hole in handle with desired hole in handle bracket and reassemble bolt and knob and tighten securely.
3. Align opposite side of handle with same positioning hole and secure with bolt and knob.

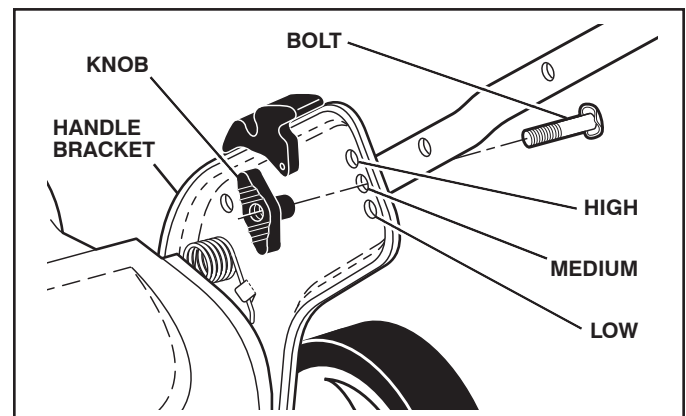


FIG. 20

SERVICE AND ADJUSTMENTS

ENGINE

Maintenance, repair, or replacement of the emission control devices and systems, which are being done at the customer's expense, may be performed by any non-road engine repair establishment or individual. Warranty repairs must be performed by an authorized engine manufacturer's service outlet.

ENGINE SPEED

Your engine speed has been factory set.

CARBURETOR

Your carburetor is not adjustable.

IMPORTANT: NEVER TAMPER WITH THE ENGINE GOVERNOR, WHICH IS FACTORY SET FOR PROPER ENGINE SPEED. OVERSPEEDING THE ENGINE ABOVE THE FACTORY HIGH SPEED SETTING CAN BE DANGEROUS. IF YOU THINK THE ENGINE-GOVERNED HIGH SPEED NEEDS ADJUSTING, CONTACT YOUR NEAREST HUSQVARNA OR OTHER AUTHORIZED SERVICE CENTER, WHICH HAS PROPER EQUIPMENT AND EXPERIENCE TO MAKE ANY NECESSARY ADJUSTMENTS.

STORAGE

Immediately prepare your mower for storage at the end of the season or if the unit will not be used for 30 days or more.

LAWN MOWER

When lawn mower is to be stored for a period of time, clean it thoroughly, remove all dirt, grease, leaves, etc. Store in a clean, dry area.

1. Clean entire lawn mower (See "CLEANING" in the Maintenance section of this manual).
2. Lubricate as shown in the Maintenance section of this manual.
3. Be sure that all nuts, bolts, screws, and pins are securely fastened. Inspect moving parts for damage, breakage and wear. Replace if necessary.
4. Touch up all rusted or chipped paint surfaces; sand lightly before painting.

HANDLE (See Figs. 21 and 22)

You can fold your lawn mower handle for storage.

1. Loosen the two "star" handle knobs on sides of the upper handle and allow handle to fold down to the rear.
2. Loosen the two "standard" handle knobs on sides of the lower handle and pivot entire handle assembly forward and allow it to rest on mower.
3. Reinstall "standard" knobs and carriage bolts to lower handle or handle brackets for safe keeping.
- When setting up your handle from the storage position, you must manually lock lower handle into mowing position.

IMPORTANT: WHEN FOLDING THE HANDLE FOR STORAGE OR TRANSPORTATION, BE SURE TO FOLD THE HANDLE AS SHOWN OR YOU MAY DAMAGE THE CONTROL CABLES.

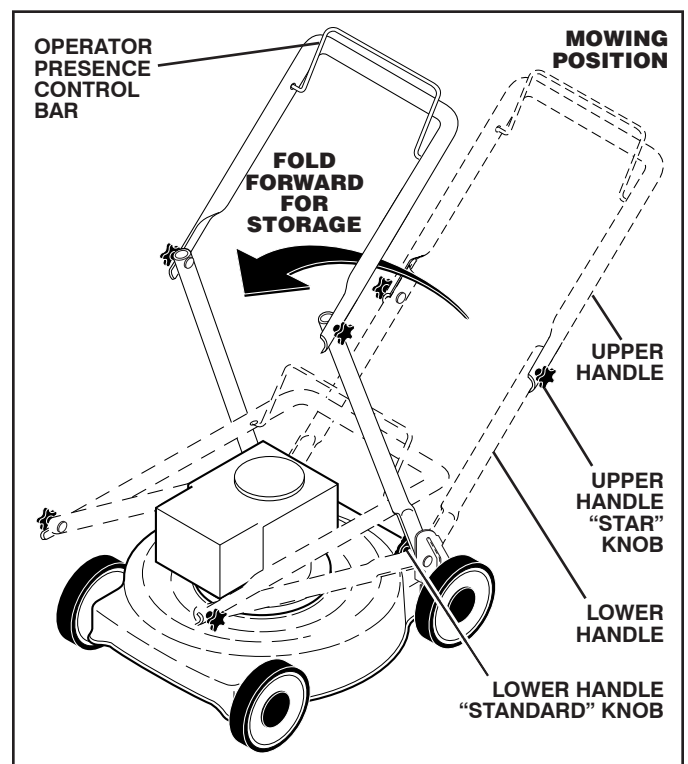


FIG. 21

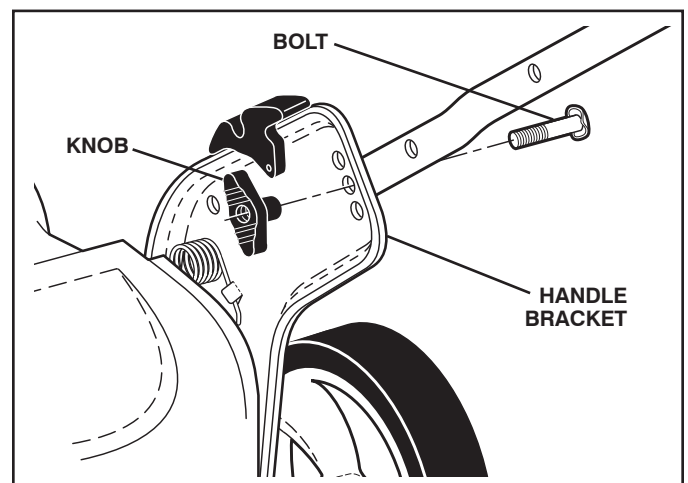


FIG. 22

STORAGE

ENGINE

FUEL SYSTEM

IMPORTANT: IT IS IMPORTANT TO PREVENT GUM DEPOSITS FROM FORMING IN ESSENTIAL FUEL SYSTEM PARTS SUCH AS CARBURETOR, FUEL FILTER, FUEL HOSE, OR TANK DURING STORAGE. ALCOHOL BLENDED FUELS (CALLED GASOHOL) OR USING ETHANOL OR METHANOL CAN ATTRACT MOISTURE WHICH LEADS TO SEPARATION AND FORMATION OF ACIDS DURING STORAGE. ACIDIC GAS CAN DAMAGE THE FUEL SYSTEM OF AN ENGINE WHILE IN STORAGE.

- Empty the fuel tank by starting the engine and letting it run until the fuel lines and carburetor are empty.
- Never use engine or carburetor cleaner products in the fuel tank or permanent damage may occur.
- Use fresh fuel next season.

NOTE: Fuel stabilizer is an acceptable alternative in minimizing the formation of fuel gum deposits during storage. Add stabilizer to gasoline in fuel tank or storage container. Always follow the mix ratio found on stabilizer container. Run engine at least 10 minutes after adding stabilizer to allow the stabilizer to reach the carburetor. Do not empty the gas tank and carburetor if using fuel stabilizer.

ENGINE OIL

Drain oil (with engine warm) and replace with clean engine oil. (See "ENGINE" in the Maintenance section of this manual).

CYLINDER

1. Remove spark plug.
2. Pour one ounce (29 ml) of oil through spark plug hole into cylinder.
3. Pull starter handle slowly a few times to distribute oil.
4. Replace with new spark plug.

OTHER

- Do not store gasoline from one season to another.
- Replace your gasoline can if your can starts to rust. Rust and/or dirt in your gasoline will cause problems.
- If possible, store your unit indoors and cover it to give protection from dust and dirt.
- Cover your unit with a suitable protective cover that does not retain moisture. Do not use plastic. Plastic cannot breathe, which allows condensation to form and will cause your unit to rust.

IMPORTANT: NEVER COVER MOWER WHILE ENGINE AND EXHAUST ARE STILL WARM.



CAUTION: Never store the lawn mower with gasoline in the tank inside a building where fumes may reach an open flame or spark. Allow the engine to cool before storing in any enclosure.

TROUBLESHOOTING POINTS

See appropriate section in manual unless directed to a Husqvarna or other authorized repair center.

PROBLEM	CAUSE	CORRECTION
Does not start	<ol style="list-style-type: none"> 1. Dirty air filter. 2. Out of fuel. 3. Stale fuel. 4. Water in fuel. 5. Spark plug wire is disconnected. 6. Bad spark plug. 7. Loose blade or broken blade adapter. 8. Control bar in released position. 9. Control bar defective. 10. Fuel valve lever (if equipped) in OFF position. 11. Weak battery (if equipped). 12. Disconnected battery connector (if equipped). 	<ol style="list-style-type: none"> 1. Clean/replace air filter. 2. Fill fuel tank. 3. Empty fuel tank and refill tank with fresh, clean gasoline. 4. Empty fuel tank and refill tank with fresh, clean gasoline. 5. Connect wire to plug. 6. Replace spark plug. 7. Tighten blade bolt or replace blade adapter. 8. Depress control bar to handle. 9. Replace control bar. 10. Turn fuel valve lever to the ON position. 11. Charge battery. 12. Connect battery to engine.

TROUBLESHOOTING POINTS

See appropriate section in manual unless directed to a Husqvarna or other authorized repair center.

PROBLEM	CAUSE	CORRECTION
Loss of power	<ol style="list-style-type: none"> 1. Rear of lawn mower housing or cutting blade dragging in heavy grass. 2. Cutting too much grass. 3. Dirty air filter. 4. Buildup of grass, leaves and trash under mower. 5. Too much oil in engine. 6. Walking speed too fast. 	<ol style="list-style-type: none"> 1. Raise cutting height. 2. Raise cutting height. 3. Clean/replace air filter. 4. Clean underside of mower housing. 5. Check oil level. 6. Cut at slower walking speed.
Poor cut – uneven	<ol style="list-style-type: none"> 1. Worn, bent or loose blade. 2. Wheel heights uneven. 3. Buildup of grass, leaves and trash under mower. 	<ol style="list-style-type: none"> 1. Replace blade. Tighten blade bolt. 2. Set all wheels at same height. 3. Clean underside of mower housing.
Excessive vibration	<ol style="list-style-type: none"> 1. Worn, bent or loose blade. 2. Bent engine crankshaft. 	<ol style="list-style-type: none"> 1. Replace blade. Tighten blade bolt. 2. Contact a Husqvarna or other authorized service center.
Starter rope hard to pull	<ol style="list-style-type: none"> 1. Engine flywheel brake is on when control bar is released. 2. Bent engine crankshaft. 3. Blade adapter broken. 4. Blade dragging in grass. 	<ol style="list-style-type: none"> 1. Depress control bar to upper handle before pulling starter rope. 2. Contact a Husqvarna or other authorized service center. 3. Replace blade adapter. 4. Move lawn mower to cut grass or other hard surface before starting.
Grass catcher not filling (if so equipped)	<ol style="list-style-type: none"> 1. Cutting height too low. 2. Lift on blade worn off. 3. Catcher not venting air. 	<ol style="list-style-type: none"> 1. Raise cutting height. 2. Replace blade. 3. Clean grass catcher.
Hard to push	<ol style="list-style-type: none"> 1. Grass is too high or wheel height is too low. 2. Rear of lawn mower housing or cutting blade dragging in heavy grass. 3. Grass catcher too full. 4. Handle height position not right for you. 	<ol style="list-style-type: none"> 1. Raise cutting height. 2. Raise rear of lawn mower housing one (1) setting higher. 3. Empty grass catcher. 4. Adjust handle height to suit.
Loss of drive (or slowing of drive speed)	<ol style="list-style-type: none"> 1. Belt wear. 2. Belt off of pulley. 3. Drive cable worn or broken. 4. “Loose” drive control system. 	<ol style="list-style-type: none"> 1. Check/replace drive belt. 2. Check/reinstall drive belt. 3. Put belt on pulleys / replace belts if broken. 4. Adjust drive control.

LIMITED WARRANTY

What is covered. We warrant that this product is **free from defects in material or workmanship** under normal use and maintenance. Certain components, such as normal wear parts, engines, and transmissions are excluded from this warranty. We will, at our option, repair or replace any defective product or part covered by the Limited Warranty, free of charge at any authorized Servicing Dealer/Center using OEM replacement parts, subject to the limitations and exclusions described below.

Limited Warranty period. We will warrant the product to the original retail purchaser from the date of retail purchase for the applicable period of time shown on the chart below.

What is NOT covered. This Limited Warranty does not cover:

- (a) Engines and transmissions, except as noted on the chart below; a separate warranty provided with your product might apply.
- (b) Normal wear parts (parts and items that normally wear out with use), including without limitation spark plugs, bulbs, filters, lubricants, starter cords, belts, blades, and blade adapters are not covered, nor is damage due to normal wear, such as abrasion to mower decks, tires punctured by an external source, natural discoloration of materials, or dulling or damage to blades due to contact with abrasives, rocks, rods, or other foreign objects.
- (c) Emissions control equipment and components to the extent regulated by the U.S. Environmental Protection Agency or similar government agencies. These are covered by a separate emission control warranty contained in the operator's manual.
- (d) Depending on the product, there is either NO WARRANTY or a reduced warranty if the product is used for commercial, non-residential, or rental purposes and, in such circumstances, this Limited Warranty is offered instead of and replaces any warranty regime provided by law. Please refer to the chart below.
- (e) Damage related to abuse, misuse, neglect, modifications, alterations, use of unauthorized attachments, improper storage, or lack of lubrication or engine failure due to the use of oils that do not meet engine manufacturer's specifications, pressure cleaning or steam cleaning the product, excessive dirt, abrasives, salt water, moisture, corrosion, rust, or varnish. Failure to perform required maintenance as described in the operator's manual will void this warranty.
- (f) Damage or failures due to improper set up, pre-delivery service or repair service by anyone other than an authorized servicing dealer during the warranty period.
- (g) Damage caused by use of gasoline containing more than 10% (E10) ethanol content (e.g. E15, E25, E30, E50, E85), use of ether or similar starting fluids, or stale fuel.
- (h) Damage to sprayers from using caustic or flammable materials in the sprayer, or lack of or broken strainers.

Your Responsibilities. To preserve your rights under this Limited Warranty, you must exercise reasonable care and use of the product, including following the preventive maintenance, storage, and fuel and oil usages as prescribed in the operator's manual. Any adjustment (e.g. to the throttle cable or belt guides) after the first thirty days of purchase and any preventive maintenance as outlined in the operator's manual are NOT covered. In addition, you must cease using the product immediately upon any failure or damage, and take the product to an authorized servicing dealer prior to any further use.

WARRANTY EXCLUSIONS, DISCLAIMERS, AND LIMITED RIGHTS. WE WILL NOT BE LIABLE FOR ANY INCIDENTAL OR CONSEQUENTIAL DAMAGES. YOUR REMEDY IS LIMITED TO REPAIR OR REPLACEMENT OF THE PRODUCT OR PART, AT OUR DISCRETION. THERE ARE NO EXPRESS WARRANTIES OTHER THAN THOSE SET FORTH HEREIN. ANY WARRANTY IMPLIED BY STATE LAW (WHETHER OF MERCHANTABILITY OR FITNESS FOR A PARTICULAR USE OR OTHERWISE) IS HEREBY DISCLAIMED; WHERE SUCH A DISCLAIMER IS NOT PERMITTED BY LAW, THEN SUCH IMPLIED WARRANTY IS LIMITED FOR THE DURATION OF THE APPLICABLE LIMITED WARRANTY PERIOD LISTED IN THE CHART BELOW. SOME LOCALITIES, INCLUDING THE PROVINCE OF QUEBEC, DO NOT ALLOW EXCLUSIONS OF INCIDENTAL OR CONSEQUENTIAL DAMAGES OR LIMITATIONS ON HOW LONG AN IMPLIED WARRANTY LASTS, SO THE ABOVE EXCLUSIONS AND LIMITATIONS MAY NOT APPLY TO YOU.

THIS LIMITED WARRANTY GIVES YOU SPECIFIC LEGAL RIGHTS, AND YOU MAY ALSO HAVE OTHER RIGHTS BASED ON YOUR LOCALITY.

How to obtain service. To obtain warranty service, you must take your product to an authorized Servicing Dealer/Center. To find your nearest authorized Servicing Dealer/Center, visit our website and use the Dealer Locator feature, or call 1-800-487-5951 from 8:00 AM to 7:00 PM EST. Any costs to transport or ship the product are your responsibility. You must present proof of purchase (including date, product model and serial number) to an authorized Servicing Dealer/Center for warranty service. Proof of purchase rests solely with you. You may register your product using our online product registration site to help ensure that you are notified of important product information. However, registering your product is not a condition of warranty service.



www.husqvarna.com/us or www.husqvarna.com/ca

Husqvarna® Warranty Chart 2015 587 70 46-01	Consumer (personal, household use only)	Commercial (any commercial, professional, agricultural, institutional or income producing use)	Rental (any rental usage)
HANDHELD PRODUCTS			
Chain Saws ^{(1) (2)}	2 Years	90 days ⁽³⁾	90 days
Power Cutters ⁽¹⁾	See Note 8	1 Year ⁽⁴⁾	90 days
100 Series Line Trimmers, 125 Series Blowers, and Attachments (split boom models) ^{(1) (2)}	2 Years	90 days	90 days
223L, 224L, 323L Line Trimmers, and Attachments (split boom models) ⁽¹⁾	2 Years	1 Year	90 days
All Other Handheld Products and Attachments (Split boom models) ^{(1) (2)}	2 Years	2 Years	90 days
WHEELED PRODUCTS			
Consumer Wheeled Products			
RZ - Zero Turn Mowers, Tractors, Lawn Mowers, High Wheel Trimmer ⁽⁵⁾⁽⁶⁾⁽⁷⁾	3 Years	No Warranty	No Warranty
MZ - Zero Turn Mowers ^{(5) (6)}	3 Years	1 Year	No Warranty
Commercial Wheeled Products			
M-ZT & P-ZT - Zero Turn Mowers, Commercial Lawn Mowers ^{(5) (6)}	See Note 8	2 Years	90 days
PZ - Zero Turn Mowers ^{(5) (6)}	See Note 8	3 Years (3rd yr. parts only)	90 days
Other Wheeled Products			
Log Splitter ⁽⁵⁾	2 Years	No Warranty	No Warranty
Tillers ^{(5) (6)}	3 Years	90 days	90 days
100, 200, and 300 Series Snow Throwers	3 Years	90 days	90 days
Husqvarna Snow Thrower Engines	5 Years	90 days	90 days
Cast iron impeller and cast iron gear box	10 Years	90 days	90 days
Robotic Mowers			
Robotic Mower	2 Years	90 days	90 days
Battery	1 Year	1 Year	1 Year
Lead-Acid Batteries (for all wheeled products) ⁽⁹⁾	180 days	180 days	180 days
Engines			
Rato, LCT, Locin	2 years	90 days	No Warranty
All Others	See Note 5	See Note 5	See Note 5
Transmission / Drive Systems			
Tuff Torq, General Transmission	2 Years	No Warranty	No Warranty
Peerless	3 Years	No Warranty	No Warranty
Hydro-Gear, All Others	See Note 6	See Note 6	See Note 6
Decks			
Zero-Turn Mowers and Tractors with steel reinforced stamped deck shell	10 Years	No Warranty	No Warranty
Zero-Turn Mowers and Tractors fabricated deck shell	See Note 1	No Warranty	No Warranty
OTHER PRODUCTS, PARTS AND ACCESSORIES			
Parts and Accessories (if purchased) ⁽¹⁰⁾			
Collection Systems and Baggers	1 Year	90 days	No Warranty
personnel protective equipment, etc.)	90 days	30 days	No Warranty
Parts (e.g., belts, blades, starter covers, starter springs, etc.)	30 days	30 days	No Warranty
Reconditioned or Refurbished Products	30 days	No Warranty	No Warranty
Sprayers	1 Year	1 Year	1 Year

- Ignition modules, tiller tines, fabricated decks, and trimmer shafts all have a "Limited Lifetime Warranty," and are warranted for the life of the product or 7 (seven) years after the product's final production run, whichever comes first. Parts and labor are included in the initial warranty period; labor is excluded after the initial warranty period expires. Deck shell replacement will be limited to a maximum of two (2) deck shells within the Limited Lifetime Warranty. Pole Saws and Pole Hedge Trimmers are excluded from the "Limited Lifetime Warranty."
- Handheld Battery powered products. Warranty covers the unit, battery, and charger.
- XP Chainsaws have a 180 day Commercial Warranty (Includes XP battery chainsaw unit, battery, and charger)
- Power cutter K1260 only has a 90 day Commercial Warranty
- Engines are warranted separately by the engine manufacturer; please refer to the separate engine warranty provided with the product.
- RZ - (EZT Integrated transmission): Hydro-Gear warrants transmission for two (2) years consumer use, parts and labor.
MZ - (ZT3100 transmission): Hydro-Gear warrants transmission for one (1) year commercial use and two (2) years consumer use, parts and labor.
M-ZT / P-ZT - (ZT3400 transmission): Hydro-Gear warrants transmission for two (2) years, parts and labor.
PZ - (Pump & Wheel Motor or ZT5400 transmission) three (3) year warranty, as follows:
Hydro-Gear warrants the first (1) year - parts and labor.
Hydro-Gear warrants the second (2) year - parts only. Husqvarna warrants the labor in the second year.
Husqvarna warrants the third (3) year - parts only.
Snow Throwers and Tractors: Hydro-Gear warrants transmission for two (2) years consumer use, parts and labor.
For all others, your transmission is warranted separately by the transmission manufacturer; please refer to the separate transmission warranty provided with your product.
- Tractor frame, chassis, and front axle have a five year consumer warranty
- As warranted for commercial use.
- Battery warranty does not include discharged or uncharged batteries.
- Replacement parts and accessories are warranted only for the BALANCE of the warranty period applicable to the part or accessory that was replaced.

Product Registration

Please register your product at www.husqvarna.com/us or www.husqvarna.com/ca.

Go to 'Support' then 'Product Registration'

You may call 1-800-487-5951 (US) or 1-800-805-5523 (Canada) to have your product registered.

Please have all product information ready prior to calling Consumer Support.

Thank you for choosing Husqvarna.

RÈGLES DE SÉCURITÉ

IMPORTANT: CETTE MACHINE COUPANTE EST CAPABLE D'AMPUTER LES MAINS, LES PIEDS ET DE PROJETER DES OBJETS. L'INOBSERVATION DES RÈGLES DE SÉCURITÉ SUIVANTES PEUT ÊTRE LA CAUSE DES BLESSURES SÉRIEUSES ET ÉVENTUELLEMENT MORTELLES.



Ce symbole signale les points importants en matière de sécurité. Il signifie - ATTENTION !!!, SOYEZ PRUDENT !!! VOTRE SÉCURITÉ EST EN JEU.



ATTENTION : Débranchez toujours le fil de bougie d'allumage et pour prévenir les démarrages accidentels, posez-le de telle façon qu'il ne puisse pas entrer en contact avec la bougie d'allumage lors de l'installation, du transport, des ajustements ou des réparations.



ATTENTION : Le silencieux et d'autres pièces de moteur deviennent extrêmement chauds lors du fonctionnement et restent chauds après que le moteur se soit arrêté. Pour éviter des brûlures graves, restez loin de ces zones.



AVERTISSEMENT : Les gaz d'échappement et certains composants des véhicules contiennent ou émettent des produits chimiques reconnus dangereux par l'État de la Californie, parce que cancérigènes ou tératogènes ou responsables d'autres troubles de la reproduction.



AVERTISSEMENT : Les bornes des batteries, ainsi que toutes les bornes et leurs accessoires contenant du plomb, des dérivés du plomb ou des produits chimiques à base de plomb, sont reconnus dangereux par l'État de la Californie, parce que cancérigènes ou tératogènes ou responsables d'autres troubles de la reproduction. Lavez-vous soigneusement les mains après les avoir touchés.



AVERTISSEMENT : Ce tondeuse à gazon est équipé d'un moteur à combustion interne et il ne doit pas être utilisé sur ou près d'un terrain couvert d'arbres, d'arbrisseaux, ou d'herbe si le système d'échappement n'est pas muni d'un pare-étincelles qui rencontre les exigences des lois locales applicables. Quand un pare-étincelles est utilisé, il doit être maintenu en bon état de fonctionnement par l'opérateur. Un pare-étincelles pour le silencieux est disponible au centre d'entretien autorisé le plus proche.

Dans l'état de Californie ceci est exigé par la loi (Code de ressources publiques de Californie Section 4442). D'autres provinces ou zones fédérales peuvent avoir des lois similaires. Les lois fédérales s'appliquent sur les territoires fédéraux. Un pare-étincelle pour le silencieux est disponible chez un concessionnaire autorisé.

I. ENFANTS



AVERTISSEMENT : LES ENFANTS PEUVENT ÊTRE GRAVEMENT BLESSÉS OU TUÉS PAR CET ÉQUIPEMENT. Lisez attentivement et respectez toutes les consignes de sécurité ci-dessous.

Selon l'Académie américaine de pédiatrie, il faut que les enfants aient au minimum 12 ans avant d'utiliser une tondeuse à pousser et au minimum 16 ans avant d'utiliser une tondeuse autoportée.

Des accidents dramatiques peuvent survenir si l'utilisateur ne fait pas attention à la présence des enfants. Les enfants sont fréquemment attirés par la machine et par la tonte de la pelouse. Ne croyez jamais que les enfants restent à l'endroit où vous les avez vu en dernier.

- Tenir les enfants loin de la zone de travail et sous la surveillance attentive d'un adulte *autre que* l'opérateur.
- Soyez vigilant et arrêtez la machine si un enfant pénètre dans l'aire de tonte.
- Avant de reculer et lorsque vous reculez regardez toujours vers le bas et derrière s'il y a des enfants en bas âge.
- N'autorisez jamais les enfants à utiliser la machine.
- Soyez particulièrement prudents lorsque vous approchez des angles morts, des buissons, des arbres ou de tout objet pouvant boucher la vision normale.

II. FONCTIONNEMENT GÉNÉRAL

- Il est impératif, avant de démarrer la machine, de lire et de comprendre toutes les instructions présentes dans le/s manuel/s d'utilisation et sur la machine. Bien connaître les commandes et l'utilisation de la machine avant de démarrer.
- Ne mettez pas les mains ou les pieds près ou au-dessous des parties rotatives. Restez loins de l'ouverture de la décharge à tout temps.
- Seuls des adultes dignes de confiance connaissant les instructions doivent être autorisés à utiliser la machine.
- Débarrassez l'aire de tonte des objets tels que les pierres, les jouets, les fils métalliques, les os, les bâtons etc. Ces objets peuvent être soulevés et projetés par la lame. Rester derrière la poignée lorsque le moteur est en cours de fonctionnement.
- Assurez-vous qu'il n'y a personne, en particulier ni animaux domestiques ni enfants, dans l'aire de tonte avant de commencer à tondre. Arrêtez la machine si quelqu'un s'introduit dans l'aire de tonte.
- Ne pas faire fonctionner la machine pieds nus ou en portant des sandales. Lors de la tonte, toujours porter des chaussures offrant un bon maintien des chevilles.
- Ne faites pas reculer la machine à moins d'y être contraint. Regardez toujours par terre et derrière vous avant de reculer.
- Ne dirigez jamais l'évacuation du matériau vers les personnes. Évitez de diriger l'évacuation du matériau vers un mur ou un obstacle. Le matériau évacué risque de rebondir en arrière vers l'opérateur. Arrêtez les lames lorsque vous passez sur du gravillon.
- N'utilisez jamais la machine si les protections, les plateaux et les autres dispositifs de sécurité ne sont pas en place.
- Consultez les instructions du producteur pour connaître le mode correct de fonctionnement et d'installation des accessoires. N'utilisez que les accessoires conseillés par le producteur.

- Arrêtez les lames lorsque vous traversez des allées gravillonnées, des trottoirs ou des rues.
- Ne jamais laisser la machine fonctionner sans surveillance.
- Arrêtez le moteur et attendez jusqu'à ce que la lame soit à l'arrêt complet avant de nettoyer la machine, retirer le récupérateur d'herbes ou déboucher la goulotte d'évacuation.
- Tondez uniquement avec la lumière du jour ou avec une bonne lumière artificielle.
- N'utilisez pas la machine si vous êtes sous l'influence de l'alcool ou des drogues.
- N'utilisez jamais la machine sur de l'herbe humide. Marchez d'un pas sûr: saisissez bien la poignée et marchez; ne courez jamais.
- Avant de démarrer le moteur, désengager le système d'entraînement, selon l'équipement.
- Si la machine commence à vibrer de façon anormale, arrêtez le moteur et cherchez immédiatement la cause. Les vibrations sont en général un signal d'alarme.
- Toujours porter des lunettes de protection lors de l'utilisation de la machine.
- Soyez très prudent lorsque vous approchez des coins aveugles, arbustes, arbres ou autres objets qui peuvent obstruer la vision.
- Il ne faut pas dépasser un angle maximum de 15° pour charger et décharger cette machine.
- Le port d'Équipements de protection individuelle (EPI) appropriés est conseillé pendant l'utilisation de cette machine et comprend (au moins) des chaussures robustes, des lunettes de sécurité et des protections auditives. Ne tondez pas en chaussures découvertes et/ou à bout ouvert.

Veillez à informer une tierce personne que vous êtes en train de tondre à l'extérieur.

III. FONCTIONNEMENT DANS LES PENTES

Les pentes sont souvent à l'origine de glissades ou de chutes pouvant causer de graves blessures. Faites très attention au cas de pentes. Si vous ne vous y sentez pas en sécurité sur les pentes, ne tondez pas.

FAITES:

- Tondez parallèlement à la pente, jamais en montée ou en descente. Faites très attention lorsque vous changez de direction.
- Enlevez les obstacles tels que les pierres, les branches les arbres, etc.
- Prendre garde aux trous, aux ornières, aux bosses et aux objets cachés. Un terrain accidenté peut entraîner une chute. L'herbe haute peut cacher des obstacles.

NE FAITES PAS:

- Ne pas tondre près de surélévations, de fossés ou d'ornières. Vous pourriez perdre votre stabilité ou votre équilibre.
- Ne pas tondre du gazon humide ou sur des pentes trop raides. Un terrain accidenté peut entraîner une chute.

IV. MANIPULATION SÛRE DU CARBURANT

Pour éviter les blessures corporelles et les dommages matériels, prendre grand soin dans la manipulation de l'essence.

- Éteignez les cigarettes, cigares, pipes et autre sources d'incendie.

- N'utilisez qu'un bidon homologué.
- N'enlevez jamais le bouchon et n'ajoutez jamais de carburant lorsque le moteur est en marche.
- Laissez le moteur refroidir avant de le remplir.
- Ne remplissez jamais le réservoir à l'intérieur.
- Ne rangez jamais ni l'appareil ni le bidon dans un endroit où se trouve une flamme nue, des étincelles ou une flamme pilote (chauffe-eau ou autres appareils).
- Ne remplissez jamais les bidons dans une voiture, un camion ou une remorque revêtue de plastique. Placez toujours les bidons sur le sol et à l'écart de votre véhicule avant le remplissage.
- Sortez l'appareil à essence du camion ou de la remorque et remplissez-le au sol. Si cela n'est pas possible, remplissez-le avec un bidon portable plutôt qu'avec un distributeur à pistolet.
- Laissez la buse au contact du bord de l'orifice du réservoir d'essence ou du bidon pendant toute la durée du remplissage. N'utilisez pas de dispositif dont le pistolet se verrouille en ouverture.
- Si vous versez du carburant sur vos vêtements, changez-vous immédiatement.
- Ne remplissez jamais trop le réservoir. Remettez le bouchon en place et serrez bien.

V. ENTRETIEN GÉNÉRALE

- Ne faites jamais marcher la tondeuse à l'intérieur d'un espace clos.
- Ne faites ni réglage ni réparation avec le moteur en marche. Débranchez le fil de la bougie et éloignez-le de la bougie pour éviter les démarrages accidentels
- Garder les boulons et écrous serrés afin de s'assurer que l'équipement est en état de fonctionnement sécuritaire.
- N'altérez jamais le fonctionnement normal des dispositifs de sécurité. Vérifiez régulièrement leur bon fonctionnement. Ne jamais rien faire qui puisse interférer avec le fonctionnement d'un dispositif de sécurité ou réduire la protection fournie par un dispositif de sécurité.
- Évitez que des herbes, des feuilles, ou des débris en tout genre ne s'accumulent sur votre machine. Nettoyez les éclaboussures d'huile ou d'essence. Laissez refroidir la machine avant de l'entreposer.
- Dans le cas où vous heurtez un objet, arrêtez la machine et vérifiez l'absence de dégâts. Avant de redémarrer, réparez si nécessaire les dégâts.
- N'essayez jamais de régler la hauteur de la roue lorsque le moteur est en marche.
- Les éléments du bac de ramassage s'usent et peuvent s'abîmer et se détériorer, risquant ainsi de projeter les parties en mouvement ou des objets. Contrôlez fréquemment ces éléments et remplacez-les, en cas de besoin, par des pièces de rechange conseillées par le fabricant.
- Les lames de la tondeuse sont affûtées et peuvent couper. Enveloppez les lames ou portez des gants et faites très attention lors des opérations d'entretien sur les lames.
- Ne changez pas le réglage du limiteur de régime et évitez tout survitesse du moteur.
- Nettoyez ou remplacez au besoin les étiquettes d'information.

SOMMAIRE

RÈGLES DE SÉCURITÉ.....	21-22
SPÉCIFICATIONS DU PRODUIT.....	23
RESPONSABILITÉS DU CLIENT.....	23
ASSEMBLAGE.....	23-24
UTILISATION.....	25-29

GUIDE D'ENTRETIEN	30
ENTRETIEN	30-33
RÉVISIONS ET RÉGLAGES	34-35
ENTREPOSAGE.....	35-36
GUIDE DE DÉPANNAGE	36-37
GARANTIE	38-39

FÉLICITATIONS pour votre achat d'une tondeuse à gazon . Elle a été conçue, perfectionnée, et fabriquée pour assurer le bon fonctionnement et la sûreté maximum.

En cas d'un problème que vous ne pouvez pas résoudre, contactez le centre d'entretien autorisé le plus proche. Vous y trouverez les techniciens qualifiés et les outils appropriés pour l'entretien et la réparation de cette machine.

Veillez lire et conserver ce manuel. Les instructions qu'il contient vous permettront de monter, et d'entretenir correctement votre tondeuse à gazon. Observez toujours les "RÈGLES DE SÉCURITÉ".

NUMÉRO DE SÉRIE: _____

DATE D'ACHAT: _____

LES NUMÉROS DE SÉRIE ET DE MODÈLE SERONT SITUÉS SUR LA DÉCALCOMANIE COLLÉE SUR L'ARRIÈRE DU BÔITIER DE TONDEUSE.

VOUS DEVRIEZ NOTER CES NUMÉROS-CI ET LA DATE D'ACHAT. CONSERVEZ-LES POUR LA RÉFÉRENCE D'AVENIR.

SPÉCIFICATIONS DE PRODUIT

Capacité et le Type d'essence:	1,0 Quarts de Gallon (1,14 Litres) L'essence sans Plomb Normale
Type d'huile (API SG-SL):	SAE 30 (température + 32°F / 0°C) SAE 10W30 (température - 32°F / 0°C)
Capacité d'huile:	0,58 Quarts de Gallon (0,66 Litres)
Bougie d'allumage:	NGK BPR5ES (Écart: 0,030 po / 0,76 mm)
Dégagement de Soupape (± 0,04 mm):	Entrée: 0,006 mm D'échappement: 0,008 mm
Couple de rotation au boulon de lame:	35-40 ft.-lbs. (47-54 Nm)

RESPONSABILITÉS DU CLIENT

- Lisez et faites attention aux règles de sécurité.
- Suivez un programme habituel d'entretien, de soin, et d'utilisation de la tondeuse à gazon.
- Suivez les instructions dans les sections d'entretien et d'entreposage de ce manuel de propriétaire.

MONTAGE

Lisez complètement ces instructions et ce manuel dans sa totalité avant de tenter de monter ou d'utiliser votre nouvelle tondeuse à gazon.

IMPORTANT: CETTE TONDEUSE À GAZON EST FOURNIE AVEC MOTEUR SANS HUILE OU ESSENCE.

Votre nouvelle tondeuse à gazon a été montée à l'usine sauf les pièces qui ne sont pas montées à cause de l'expédition. Toutes les pièces comme les écrous, les rondelles, les boulons, etc. qui sont nécessaires à compléter le montage ont été mises dans le sac des pièces. Pour assurer l'utilisation correcte et sûre de votre tondeuse, toutes les pièces et la visserie que vous montez doivent être serrées à fond. Utilisez les outils corrects pour assurer le serrage exact.

POUR ENLEVER LA TONDEUSE À GAZON DU CARTON

1. Enlevez toutes les pièces détachées du carton.
2. Coupez les deux coins au bout du carton et dépliez-les.
3. Enlevez tous les matériaux d'emballage à l'exception du rembourrage entre le guidon supérieur et le guidon inférieur et le rembourrage qui maintiennent la barre de commande de présence d'opérateur contre le guidon supérieur.
4. Roulez la tondeuse à gazon du carton et examinez le carton pour les pièces détachées.

COMMENT MONTER VOTRE TONDEUSE À GAZON POUR DÉPLIER LE GUIDON (Voir Figs. 1 & 2)

IMPORTANT: DÉPLIEZ SOIGNEUSEMENT LES GUIDONS POUR NE PAS PINCER OU AVARIER LES CÂBLES DE COMMANDE.

1. Soulevez la section du guidon inférieur à la position de tonte et alignez le trou du guidon avec un des trous de positionnement de hauteur.
2. Insérez les boulons de guidon par les guidon et le supports et fixez-le avec le boutons inférieur ("standard").

3. Enlevez le rembourrage protecteur, soulevez le guidon supérieur à la position de tonte et serrez à fond les deux boutons de guidon supérieur ("star").
4. Enlevez les matières de rembourrage de la zone de la barre de commande.

Le guidon de votre tondeuse à gazon peut être réglé pour votre confort. Référez-vous à la section de "POUR RÉGLER LE GUIDON" dans la section de Révision et Réglages de ce manuel.

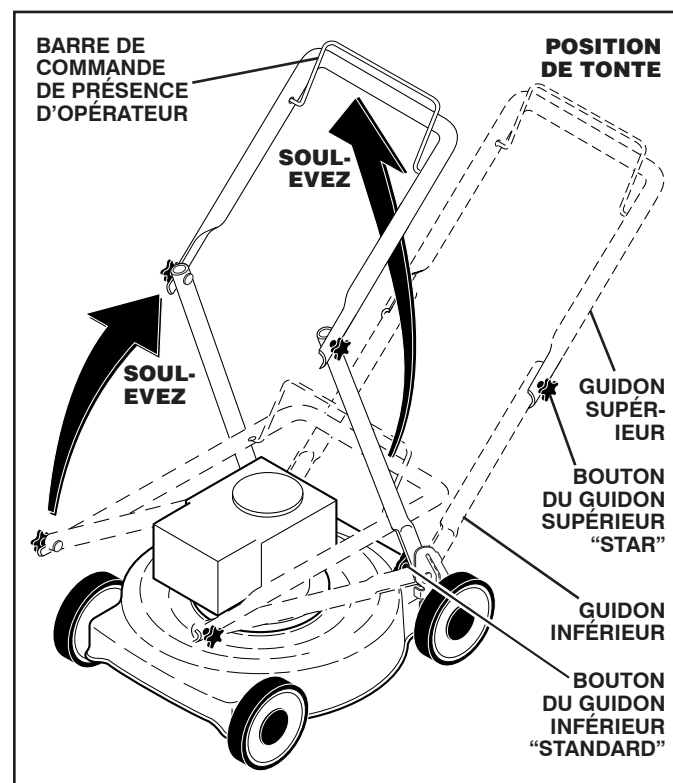


FIG. 1

MONTAGE

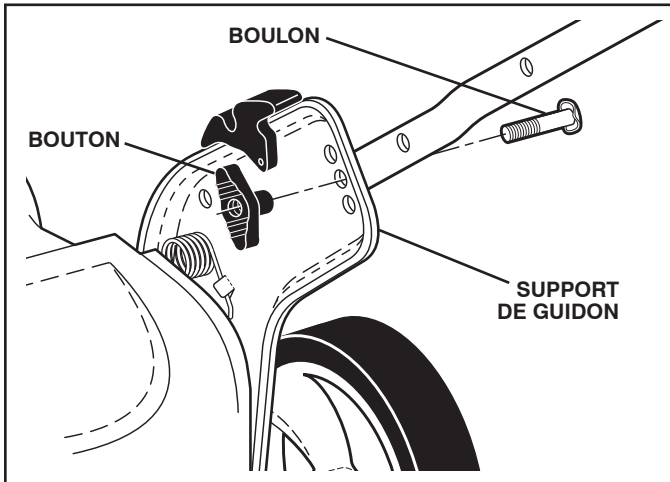


FIG. 2

POUR MONTER LE RAMASSE-HERBE (Voir Fig. 3)

1. Mettez le cadre du ramasse-herbe dans le sac de décharge avec la partie rigide du sac sur le fond. Assurez-vous que la poignée de cadre soit au dehors du haut du sac.
2. Glissez les étriers de pression de vinyle par-dessus le cadre.

REMARQUE: Si les étriers sont trop rigides, mettez-les dans de l'eau chaude pendant quelques minutes. Si le sac de décharge devient mouillé, laissez-le sécher avant de l'utiliser.

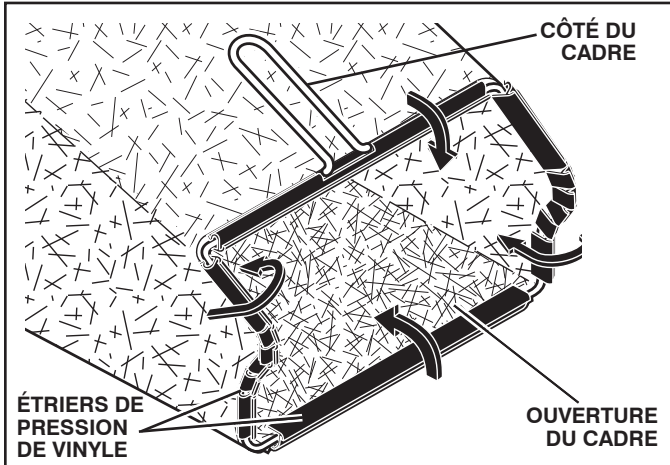


FIG. 3

INSTALLER LE CÂBLE DE DÉMARREUR (Voir Fig. 4)

1. Desserrer un bouchon-T.
2. Tenez la barre de commande contre le guidon supérieur.
3. Tirez lentement sur le câble de démarreur du moteur jusqu'à ce qu'il glisse dans la boucle du guide du câble de démarreur.
4. Serrer un bouchon-T.

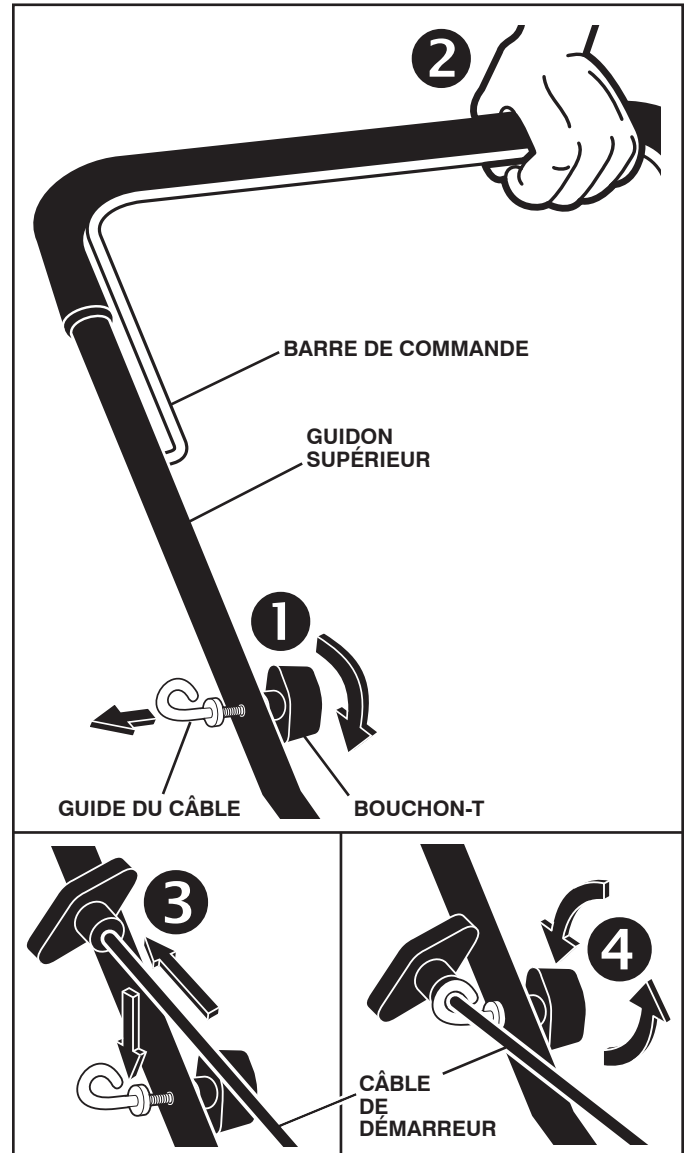


FIG. 4

INSTALLER LES ACCESSOIRES

Votre tondeuse à gazon a été expédiée prête à utiliser comme une tondeuse broyeuse. Pour la convertir au ramassage ou au déchargement, voir "POUR CONVERTIR LA TONDEUSE" dans la section d'utilisation de ce manuel.

UTILISATION

CONNAISSEZ SUR VOTRE TONDEUSE À GAZON

LISEZ CE MANUEL DE PROPRIÉTAIRE ET LES RÈGLES DE SÉCURITÉ AVANT D'UTILISER VOTRE TONDEUSE À GAZON. Comparez les illustrations avec votre tondeuse à gazon afin de se mettre au courant des positions des différentes commandes et des différents réglages. Conservez ce manuel pour la référence d'avenir.

Ces symboles peuvent se montrer sur votre motovineuse à gazon ou dans les publications fournies avec le produit. Apprenez et comprenez la signification des symboles.



ATTENTION OU
AVERTISSEMENT



DÉMARRER
LE MOTEUR



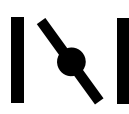
COUPER
LE MOTEUR



RAPIDE



LENT



STARTER



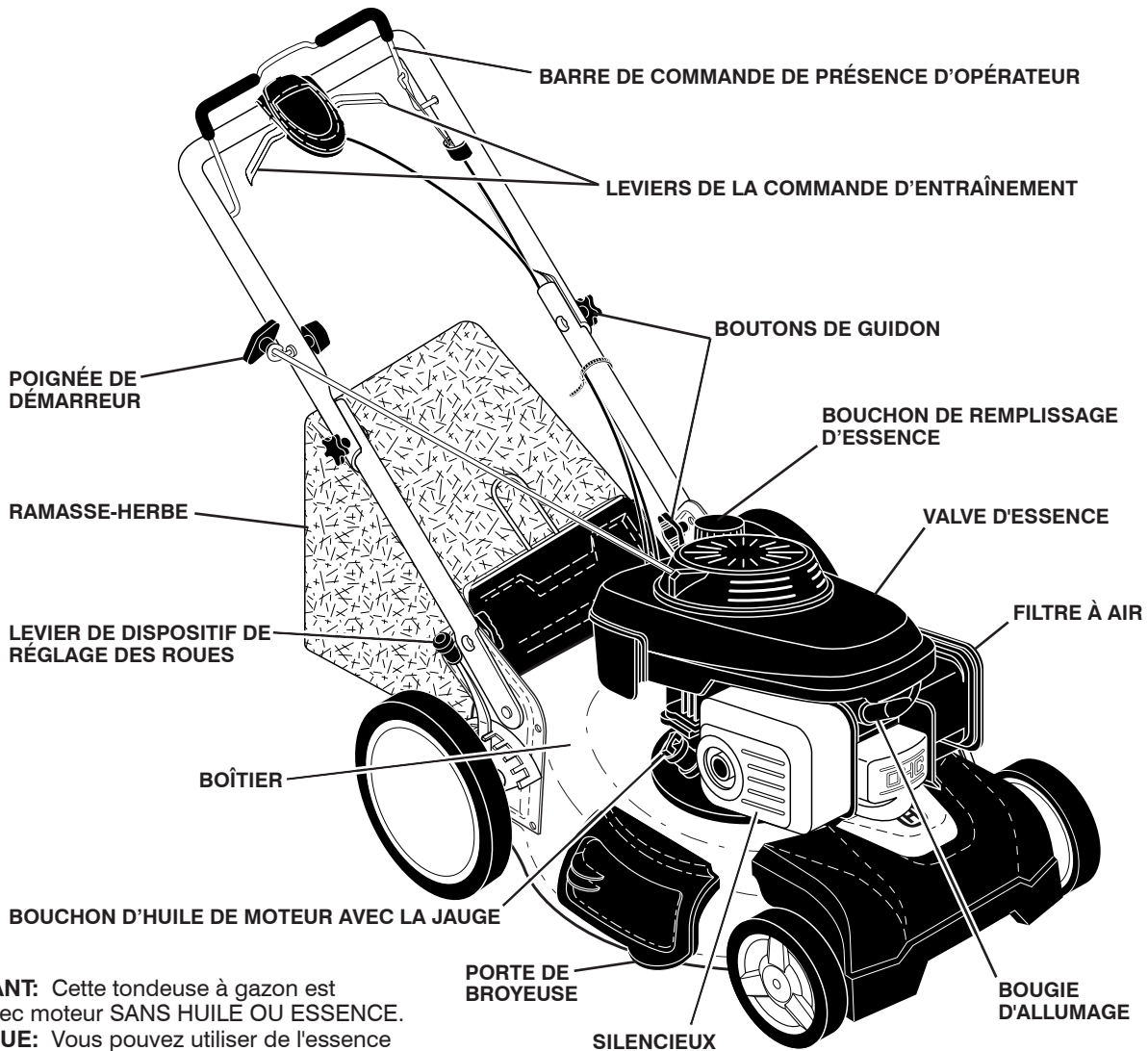
ESSENCE



HUILE



DANGER, GARDEZ
LES MAINS ET PIEDS LOIN



IMPORTANT: Cette tondeuse à gazon est fournie avec moteur SANS HUILE OU ESSENCE.

REMARQUE: Vous pouvez utiliser de l'essence contenant jusqu'à 10% d'éthanol (E10) avec cet appareil. L'utilisation d'essence contenant plus de 10% d'éthanol annulera la garantie du produit.

RENCONTRE LES EXIGENCES DES NORMES DE SÉCURITÉ CPSC

Les tondeuses à gazon rotatives tractées qui se poussent par l'arrière conformément aux normes de sécurité d'American National Standards Institute et de U.S. Consumer Product Safety Commission. **⚠ AVERTISSEMENT:** La lame tourne lorsque le moteur fonctionne.

BARRE DE COMMANDE DE PRÉSENCE D'OPÉRATEUR – doit être tenue contre le guidon pour démarrer la lame. Relâchez pour arrêter la lame.

POIGNÉE DE DÉMARREUR – est utilisée pour démarrer le moteur.

LEVIERS DE COMMANDE D'ENTRAÎNEMENT – est utilisé pour engager le mouvement de devant tracté de la tondeuse à gazon.

PORTE DE BROYEUSE – permet de la conversion de l'utilisation de ramassage ou de déchargement.

UTILISATION



L'utilisation d'une tondeuse à gazon présente le risque de projection des particules dans les yeux qui peuvent causer des blessures sérieuses. Portez toujours des lunettes de sécurité ou une visière des yeux avant d'utiliser votre tondeuse à gazon, ou de faire tout réparations et tout réglages. Nous recommandons une visière de sécurité panoramique pour ceux qui portent des verres correctives ou des lunettes de sécurité standard.



Utiliser des protecteurs d'oreilles pour éviter tout dommage à l'audience.

COMMENT UTILISER VOTRE TONDEUSE À GAZON

COMMANDE DE LA VITESSE DE MOTEUR

La vitesse du moteur a été réglée à l'usine pour un rendement maximum. La vitesse n'est pas réglable.

CONTRÔLE DE LA ZONE DU MOTEUR



ATTENTION: Les règlements fédéraux requièrent que une commande de moteur soit installée sur la tondeuse à gazon afin de minimiser le risque de blessure à cause de contact avec la lame. N'essayez jamais de renverser la fonction de la commande d'opérateur. La lame tourne lorsque le moteur fonctionne.

- Votre tondeuse à gazon est munie d'une barre de commande de présence d'opérateur qui requiert que l'opérateur soit positionné derrière le guidon de tondeuse pour démarrer et utiliser la tondeuse à gazon.

COMMANDE D'ENTRAÎNEMENT (Voir Fig. 4)

- Pour commander le déplacement automatique vous devez pousser vers le bas et vers la poignée la barre de commande indiquant la présence de l'opérateur et tirer un ou tous les deux leviers de commande vers la poignée. Plus le levier est tiré vers la poignée plus l'appareil circule rapidement.
- La marche avant s'arrête en lâchant la barre de commande indiquant la présence de l'opérateur ou le levier de commande. Pour arrêter la marche avant sans arrêter le moteur, lâchez uniquement les leviers de commande de l'entraînement. Maintenez vers le bas, contre la poignée, la barre de commande indiquant la présence de l'opérateur pour continuer à tondre sans déplacement automatique.

REMARQUE: Si après d'avoir relâchez la barre de commande, la tondeuse à gazon ne roule pas vers l'arrière, poussez légèrement la tondeuse vers l'avant pour désengager les roues motrices.

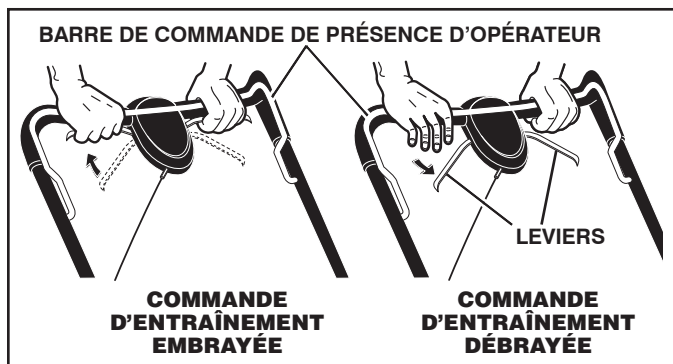


FIG. 4

RÉGLAGES DE LA COMMANDE D'ENTRAÎNEMENT (Voir Fig. 5)

Avec le temps, le système de commande de l'entraînement se "relâche" ce qui diminue la vitesse. Une tourillon, à la commande

de l'entraînement, permet de resserrer le câble. Procédez de la sorte:

1. Éteignez la tondeuse et débranchez la bougie de son câble.
2. Tournez la tourillon pour l'épreuve la vitesse d'entraînement.
3. Mettez en marche la tondeuse pour mettre à l'épreuve la vitesse d'entraînement. Régler au besoin.
4. Si la situation ne s'améliore pas après cette opération (la marche avant ne change pas), vous devez remplacer la courroie d'entraînement de votre appareil.

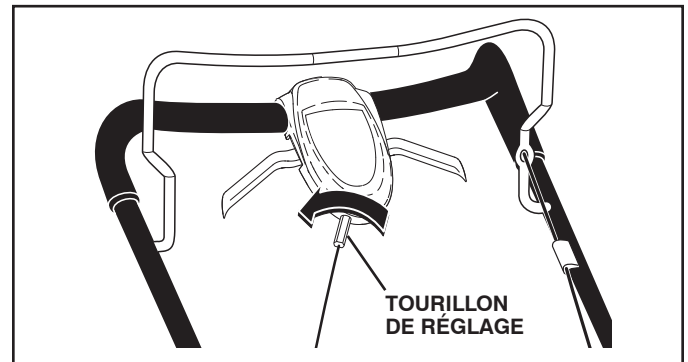


FIG. 5

POUR RÉGLER LA HAUTEUR DE COUPE (Voir Fig. 6)

Les quatre roues sont réglées par un levier unique.

- Tirez le levier de réglage dans la direction de la roue. Pour lever la tondeuse, placez le levier à la position désirée. Pour baisser la tondeuse, déplacez le levier vers l'arrière.

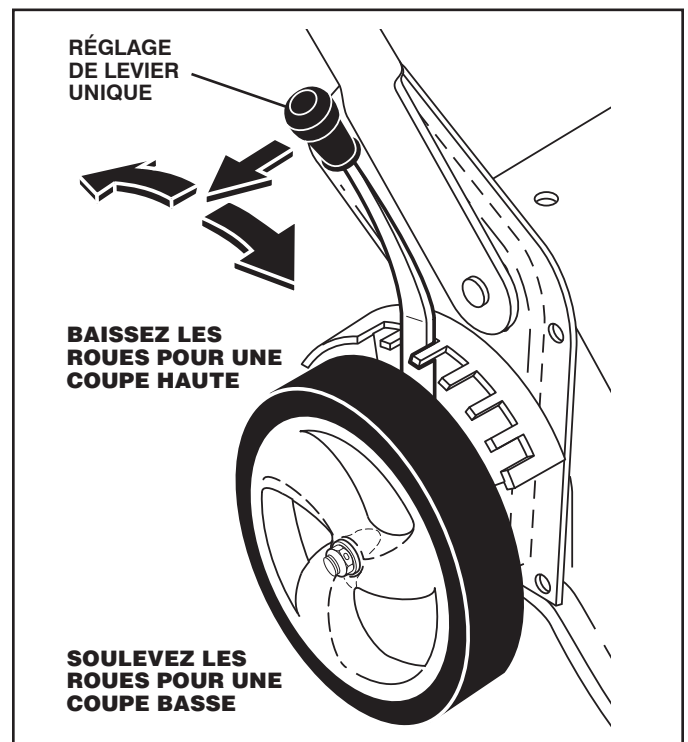


FIG. 6

UTILISATION

POUR CONVERTIR LA TONDEUSE

Votre tondeuse à gazon a été expédiée prête à utiliser comme une tondeuse broyeuse. Pour la convertir au ramassage ou au déchargement:

RAMASSAGE ARRIÈRE (Voir Fig. 7) -

- Soulevez la porte arrière de la tondeuse et placez les crochets du cadre du ramasse-herbe sur les supports du ramasse-herbe.
- Pour convertir au broyage ou au déchargement, enlevez le ramasse-herbe et fermez la porte arrière.

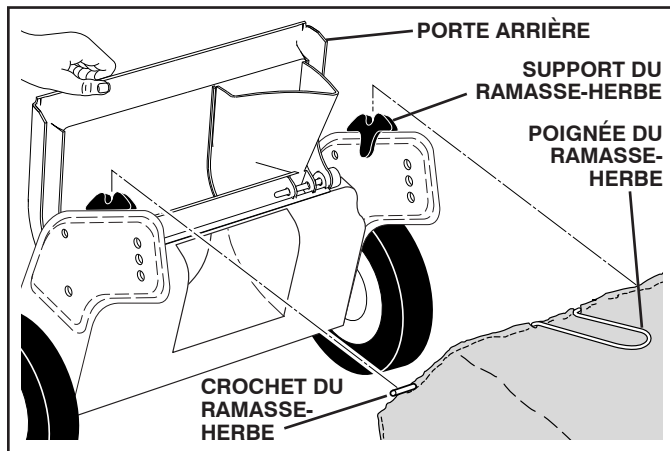


FIG. 7

ÉTAPES FACILES À SE RAPPELER EN CONVERTISSANT LA TONDEUSE À GAZON

POUR LE BROYAGE -

1. La porte arrière fermée.
2. La porte de broyeuse est fermée et serrée à fond et verrouillée.

POUR LE RAMASSAGE ARRIÈRE -

1. Le ramasse-herbe est installé.
2. La porte de broyeuse est fermée et serrée à fond et verrouillée.

POUR LE DÉCHARGEMENT LATÉRAL -

1. La porte arrière fermée.
2. Le déflecteur de décharge est installé.



ATTENTION: N'utilisez pas votre tondeuse à gazon sans que le bouchon de la broyeuse, déflecteur de l'herbe coupée ou le ramasse-herbe soient en place. Ne tentez jamais d'utiliser la tondeuse à gazon quand la porte arrière est enlevée ou ouverte.

DÉCHARGEMENT LATÉRAL (Voir Fig. 8) -

- Le porte arrière doit être fermée.
- Ouvrez la porte de la broyeuse et installez le déflecteur comme montré.
- La tondeuse est maintenant prête pour le déchargement.
- Pour convertir au broyage ou au ramassage, le déflecteur de décharge doit être enlevé et la porte de broyeuse doit être fermée et verrouillée.

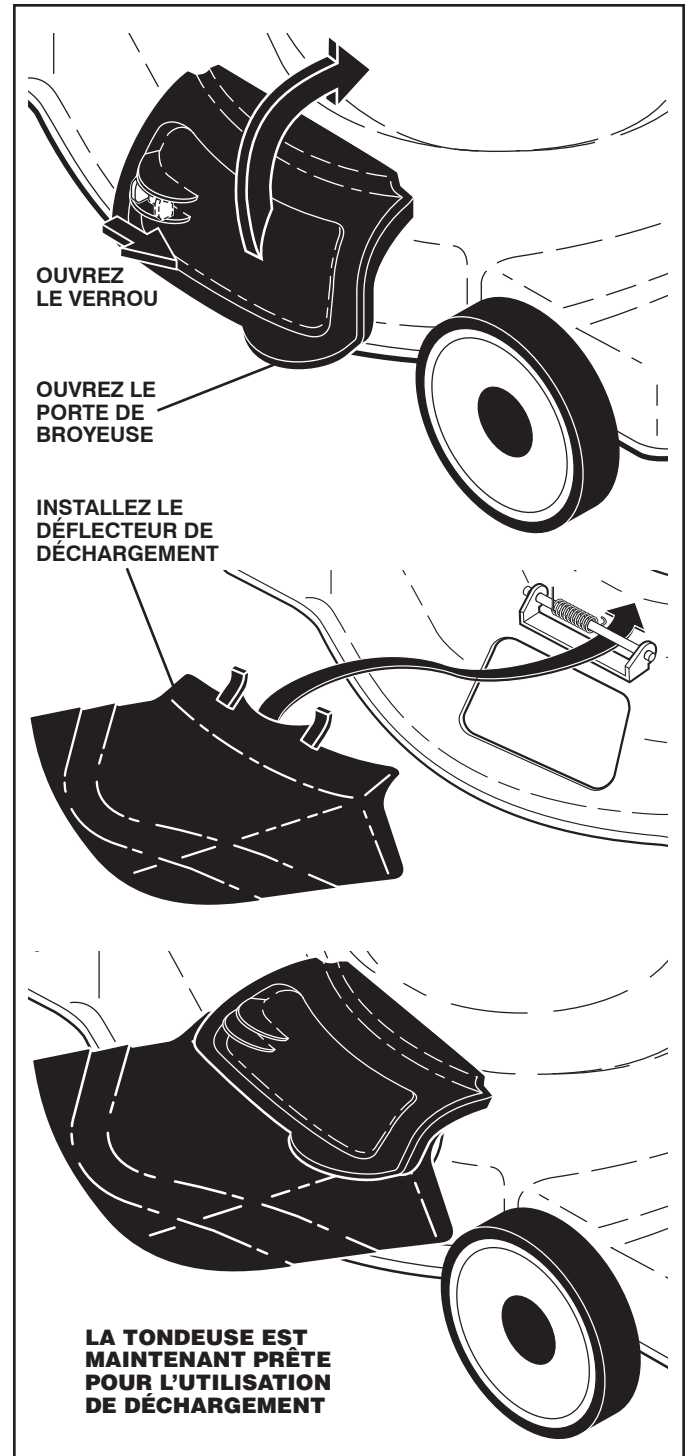


FIG. 8

UTILISATION

POUR VIDER LE RAMASSE-HERBE

(Voir Fig. 9)

1. Soulevez le ramasse-herbe en utilisant la poignée du cadre.
2. Enlevez le ramasse-herbe avec l'herbe coupée du dessous du guidon de tondeuse à gazon.
3. Vider coupures avec le ramasse-herbe.

REMARQUE: Ne traînez pas le sac quand vous le videz. Ceci l'userait inutilement.

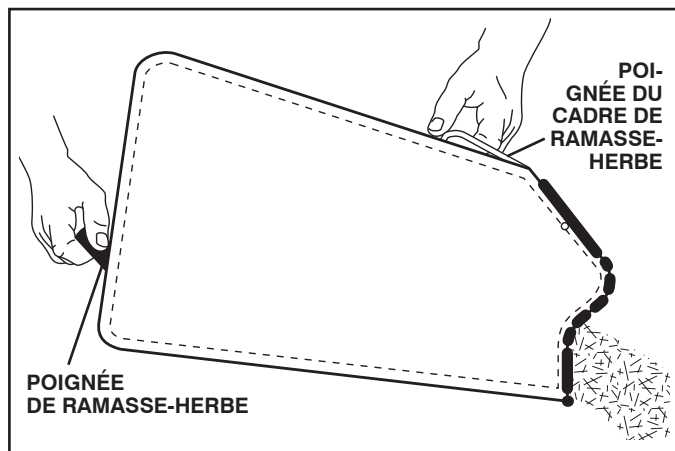


FIG. 9

AVANT DE DÉMARRER LE MOTEUR

AJOUTER DE L'HUILE (Voir Fig. 10)

Votre tondeuse à gazon est expédiée sans huile dans le moteur. Pour le type et la catégorie d'huile à utiliser, voir "MOTEUR" dans la section d'entretien de ce manuel.



ATTENTION: NE remplissez pas trop le moteur avec de l'huile, ou il fumera fortement du silencieux sur la mise en marche.

1. Assurez-vous que la tondeuse à gazon soit sur un terrain plat.
2. Enlevez la jauge d'huile du goulot de remplissage d'huile.
3. Vous recevez un récipient d'huile avec l'unité. Versez lentement le récipient entier d'huile dans le moteur en utilisant le goulot de remplissage d'huile.
4. Versez lentement l'huile.

IMPORTANT:

- Vérifiez le niveau d'huile avant de chaque utilisation. Ajoutez de l'huile si c'est nécessaire. Remplissez jusqu'au niveau indiqué (FULL) sur la jauge d'huile.
- Changez l'huile après chaque 25 heures d'utilisation ou après chaque saison. Il peut être nécessaire de changer l'huile plus souvent lorsqu'il y a beaucoup de poussière. Voir "CHANGER L'HUILE DE MOTEUR" dans la section d'entretien de ce manuel.

AJOUTEZ DE L'ESSENCE (Voir Fig. 10)

- Remplissez le réservoir d'essence jusqu'au fond du goulot de remplissage. N'en mettez pas trop. Utilisez de l'essence sans plomb, régulière, fraîche, et propre avec au moins 87 indice d'octane. Ne mélangez pas l'huile avec l'essence. Pour assurer que l'essence utilisée soit fraîche, achetez des conteneurs d'essence pouvant être utilisés en moins de 30 jours.

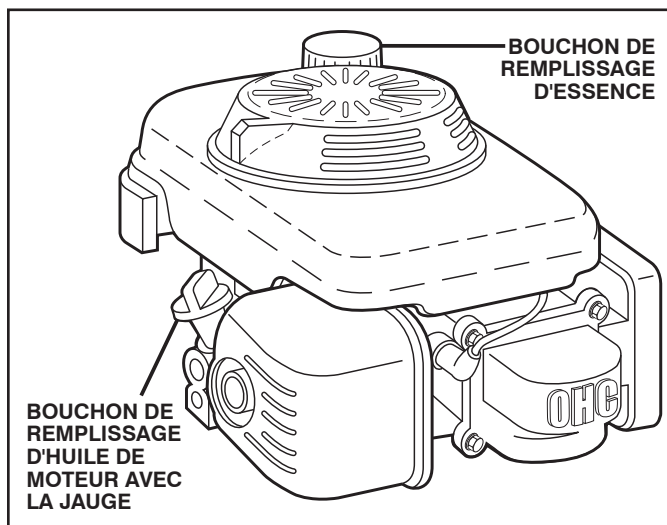


FIG. 10

ATTENTION: Essayez toujours l'huile ou l'essence renversée. Vous ne devez jamais emmagasiner, répandre ou utiliser de l'essence près d'une flamme nue.

Les carburants mélangés avec l'alcool (appelés gasohol ou utilisant l'éthanol ou le méthanol) peuvent attirer l'humidité qui cause la séparation et la formation d'acide pendant l'entreposage. Le gaz acide peut endommager le système d'essence d'un moteur pendant l'entreposage. Pour éviter les problèmes avec le moteur, le système d'essence doit être vidangé avant l'entreposage de 30 jours ou plus. Vidangez le réservoir d'essence, démarrez le moteur et laissez-le fonctionner jusqu'à ce que les carburant et le carburateur soient vides. Utilisez de l'essence fraîche la saison suivante. Reportez-vous aux instructions sur l'entreposage pour les autres renseignements. N'utilisez jamais de produits de nettoyage de moteur ou de carburateur dans le réservoir d'essence ou des dommages permanents pourraient être causés.



POUR ARRÊTER LE MOTEUR (Voir Fig. 11)

- Pour arrêter le moteur, relâchez la barre de commande de présence d'opérateur. Si vous n'avez pas l'intention de mettre en marche le moteur bientôt, attendez jusqu'à ce que la lame et toutes les pièces mobiles soient arrêtées et tournez la valve d'essence à la position D'ARRÊT (OFF).

POUR DÉMARRER LE MOTEUR (Voir Fig. 11)

REMARQUE: En raison du revêtement de protection du moteur, une petite quantité de fumée est normale la première fois qu'on utilise le produit.

1. Assurez la valve d'essence est dans la position de MARCHÉ (ON).
2. Tenez la barre de commande de présence d'opérateur contre le guidon et tirez rapidement sur la poignée de démarreur. Ne laissez pas le câble de démarreur revenir brusquement à sa position originale.

UTILISATION

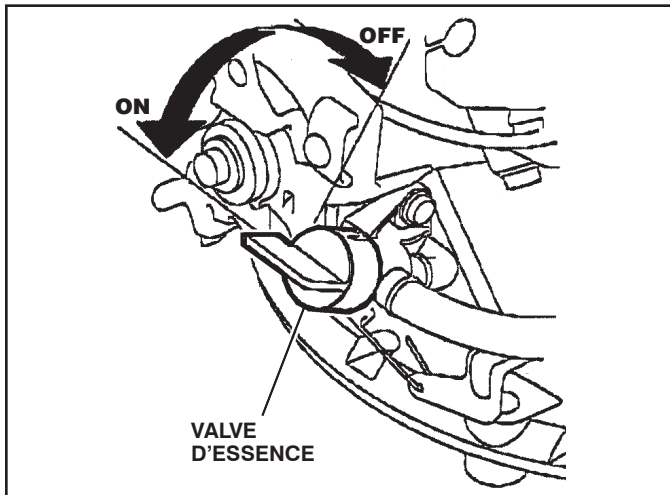


FIG. 11

CONSEILS DE TONDRE



ATTENTION: N'utilisez pas d'accessoires amovibles pour découpeuses de chaumes sur votre tondeuse. Ils sont dangereux, et risquent d'abîmer votre tondeuse et annuler votre garantie.

- Sous certaines conditions telles que le gazon très haut, élevez la hauteur de coupe pour réduire l'effort de pousser et pour éviter le surchauffage du moteur et pour ne pas laisser des paquets d'herbe coupée. Il pourrait être nécessaire que vous devriez réduire la vitesse de course et/ou marchez la tondeuse à gazon par-dessus la zone une deuxième fois.
- Pour une coupe extrêmement épaisse, réduisez la largeur de coupe en imbriquant l'allée auparavant coupée et tondez lentement.
- Pour la plupart des conditions de coupe et pour le meilleur ramassage, la vitesse de moteur devrait être réglée à la position RAPIDE.
- Les pores dans le linge du ramasse-herbe peuvent se remplir de la saleté et la poussière et il ramassera moins de gazon coupé. Pour prévenir cette obstruction, arrosez régulièrement le ramasse-herbe et laissez-le sécher avant de l'utiliser encore.
- Conservez propre le sommet du moteur autour du démarreur. Ceci aidera le courant d'air du moteur et étendra la durabilité.

CONSEILS DE BROYER/TONDRE

IMPORTANT: POUR LE MEILLEUR RENDEMENT, MAINTENEZ LE BOÎTIER DE TONDEUSE EXEMPT DE L'ACCUMULATION DE L'HERBE ET LES DÉBRIS. NETTOYEZ LE DESSOUS DU BOÎTIER DE TONDEUSE APRÈS CHAQUE UTILISATION. VOIR LA SECTION DE "NETTOYAGE" DANS LA SECTION D'ENTRETIEN DE CE MANUEL.

- La lame de broyeuse spéciale recoupera beaucoup de fois l'herbe coupée pour la faire plus petite. L'herbe coupée sera distribuée partout dans la pelouse. L'herbe coupée qui a été recoupée par le broyeuse est biodégradable. Cette action donnera à la pelouse des substances nutritives. Pour le meilleur rendement des lames, la vitesse de moteur (lame) doit être maintenue à la position rapide.
- Ne tondez pas la pelouse quand l'herbe est mouillée. L'herbe mouillée formera les masses de l'herbe coupée qui gêneront avec l'action de la broyeuse. Le meilleur temps de tonde est au debut de l'après-midi. La pelouse doit être sèche à cette heure et la zone coupée pas exposée à la lumière directe du soleil.
- Pour les meilleurs résultats, ajustez la hauteur de coupe de la tondeuse afin que la tondeuse coupe seulement le tiers du haut de l'herbe (Voir Fig. 12). Au cas où l'herbe est très haute, il sera nécessaire d'élever la hauteur de coupe pour réduire les efforts de propulsion, pour éviter de surchauffer le moteur et pour éviter l'agglutination et l'abandon de masses d'herbe coupée. Pour les conditions de broyer de l'herbe très difficiles, réduisez la largeur de coupe en imbriquant l'allée auparavant coupée et tondez lentement.

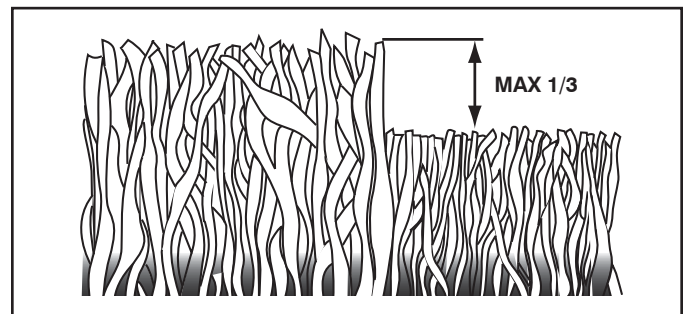


FIG. 12

- Certaines types d'herbe et les conditions d'herbe auront besoin qu'une zone soit broyer une deuxième fois pour cacher l'herbe coupée. Quand vous faites la deuxième coupe, tondez perpendiculaire à (ou en travers) la première coupe.
- Changez votre parcours de coupe de semaine à semaine. Tondez de nord à sud une semaine et la prochaine semaine d'est à ouest. Ceci évitera le paillason et la granulation de la pelouse.

ENTRETIEN

GUIDE D'ENTRETIEN		AVANT CHAQUE UTILISATION	APRÈS CHAQUE UTILISATION	TOUTES LES 10 HEURES	TOUTES LES 25 HEURES OU SAISON	TOUTES LES 100 HEURES	AVANT L'ENTRE-POSAGE
TONDEUSE	Vérifiez l'intégrité des systèmes de fixation	✓					✓
	Nettoyez / Vérifiez le Ramasse-Herbe *	✓	✓				✓
	Vérifier les Pneus	✓					
	Vérifier les Roues d'entraînement ***	✓					
	Nettoyez la Tondeuse ****		✓				✓
	Nettoyez sous le Couvercle d'entraînement ***			✓			
	Vérifiez la Courroie et les Poulies ***				✓		
	Vérifiez / Aiguisiez / Remplacez la Lame				✓ ₃		
	Tableau de lubrification				✓		
	Nettoyez / Rechargez la Batteie **				✓		✓ ₄
MOTEUR	Vérifiez le niveau d'huile de moteur	✓ ₅					
	Remplacez l'huile de moteur				✓ _{1,2}		
	Nettoyez le Filtre à Air				✓ ₂		
	Inspectez le Silencieux				✓		
	Remplacez la Bougie d'allumage					✓	
	Remplacez la Cartouche du filtre à air					✓ ₂	
	Vider le système de carburant ou ajouter du stabilisant						✓

- 1 - Changez plus fréquemment quand le moteur est soumis à des efforts importants ou quand la température ambiante est élevée.
 2 - Augmentez la fréquence des entretiens en cas d'utilisation dans un environnement poussiéreux et sale. (si équipé) *
 3 - Remplacez les lames plus souvent en cas d'utilisation sur un terrain sablonneux. Tondeuse à Démarreur Électrique **
 4 - Chargez pendant 48 heures à la fin de la saison. Tondeuse à Force Propulsive ***
 5 - Ainsi qu'après chaque tranche de 5 heures de fonctionnement. Utiliser un grattoir pour nettoyer le dessous du châssis de la tondeuse ****

RECOMMANDATIONS GÉNÉRALES

La garantie pour cette tondeuse à gazon ne couvre pas les éléments qui ont été sujets à un abus ou à des négligences de la part de l'utilisateur. Pour conserver une garantie complète, l'utilisateur doit maintenir la tondeuse tel que précisé dans ce manuel.

Quelques ajustements sont nécessaires périodiquement pour entretenir correctement votre machine. Tous les réglages dans la section de Révision et Réglages de ce manuel devraient être vérifiés au moins une fois par saison.

- Une fois par an, remplacez la bougie d'allumage, nettoyez ou remplacez le filtre à air, et vérifiez la lame pour les signes d'usure. Une nouvelle bougie d'allumage et un filtre à air propre assurent la présence d'un mélange air/essence correct, permettant ainsi à votre moteur de mieux fonctionner et de durer plus longtemps.
- Respectez les indications du Guide d'entretien de ce manuel.

AVANT CHAQUE UTILISATION

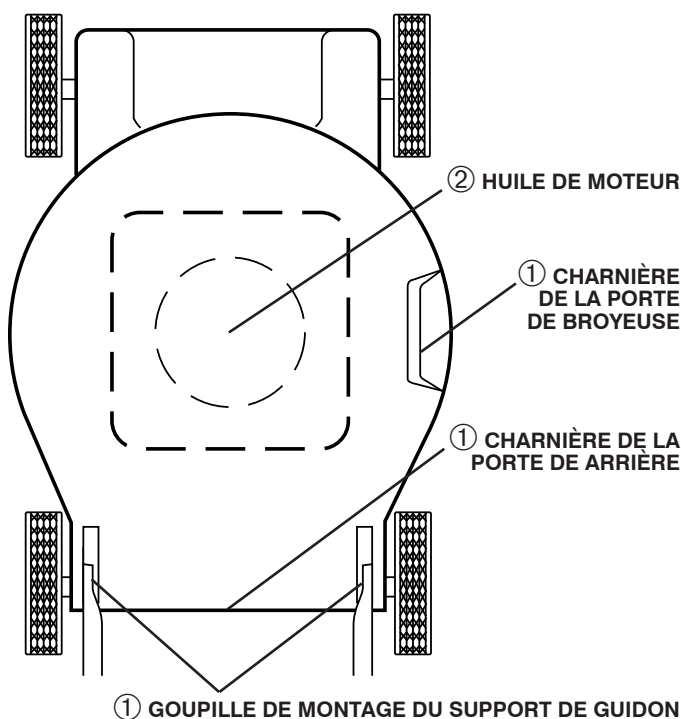
1. Vérifiez le niveau d'huile de moteur.
2. Vérifiez l'intégrité des systèmes de fixation.

LUBRIFICATION

Conservez votre machine bien lubrifiée (Voir le "TABLEAU DE LUBRIFICATION").

IMPORTANT: NE METTEZ NI D'HUILE NI DE GRAISSE SUR LES PALIERS ANTIFRICTION DE PLASTIQUE DES ROUES. LES LUBRIFIANTS QUI ATTIRENT LA POUSSIÈRE ET LES SALETÉS DIMINUENT L'ESPÉRANCE DE DURABILITÉ DE CES PALIERS À LUBRIFICATION AUTOMATIQUE. SI VOUS PENSEZ QU'ILS DOIVENT ÊTRE LUBRIFIÉS, UTILISEZ SEULEMENT ET AVEC MODÉRATION UN LUBRIFIANT SEC, EN POUDRE DE TYPE GRAPHITE.

TABLEAU DE LUBRIFICATION



- ① LUBRIFIANT À VAPORISER
 ② RÉFÉREZ-VOUS À "MOTEUR" DANS LA SECTION ENTRETIEN

ENTRETIEN

TONDEUSE À GAZON

Observez toujours les règles de sécurité quand vous faites l'entretien.

PNEUS

- Assurez-vous que vos pneus ne soient pas en contact avec de l'essence, de l'huile ou des produits de chimie insecticide qui pourraient détruire le caoutchouc.
- Évitez les souches, les pierres, les ornières profondes, les objets tranchants et les autres hasards qui pourraient causer des dégâts les pneus.

ROUES MOTRICES

Vérifiez toujours les roues motrices arrière avant de tondre pour assurer qu'elles tournent librement. Si elles ne tournent pas librement, il y a des débris, de l'herbe coupée, etc. à l'intérieur des roues motrices et des cache-poussière. Vous devez nettoyer les roues pour les libérer. S'il est nécessaire à nettoyer les roues motrices, vérifiez les deux roues arrière.

ENTRETIEN DE LA LAME

Pour les meilleurs résultats, la lame de tondeuse doit être bien aiguisée. Remplacez les lames tordues ou abîmées.



DANGER: N'utilisez que les lames de rechange autorisée par le fabricant de votre tondeuse. L'usage d'une lame n'ayant pas été autorisée par le fabricant de votre tondeuse est dangereux et risque d'endommager votre tondeuse et d'annuler sa garantie.

ENLEVER LA LAME (Voir Fig. 13)

- Débranchez le fil de bougie d'allumage et posez-le de telle façon qu'il ne puisse pas entrer en contact avec la bougie d'allumage.
- Mettez la tondeuse sur le côté. Assurez-vous que le filtre à air et le carburateur sont vers le haut.
- Utilisez un bloc de bois entre la lame et le boîtier de tondeuse pour empêcher la lame de tourner quand vous enlevez le boulon de lame.

REMARQUE: Protégez vos mains avec des gants et/ou enveloppez la lame dans un linge épais.

- Enlevez le boulon de lame en le tournant dans le sens contraire des aiguilles d'une montre.
- Enlevez la lame et la visserie (le boulon, la rondelle frein et la rondelle en acier trempé).
- Enlevez le déflecteur de débris.

REMARQUE: Enlevez l'adaptateur de lame et vérifiez la clé dans le moyeu de l'adaptateur de lame. La clé doit être en bonne condition pour fonctionner correctement. Remplacez l'adaptateur s'il est endommagé.

REEMPLACER LA LAME (Voir Fig. 13)

- Posez l'adaptateur de lame sur le vilebrequin de moteur. Assurez-vous que la clé dans l'adaptateur et le logement de clavette dans le vilebrequin sont alignés; et cette courroie d'entraînement est la étiquette intérieure de le guide de courroie.
- Installez le déflecteur de débris.
- Posez la lame sur l'adaptateur de lame.

IMPORTANT: POUR ASSURER L'ASSEMBLAGE ADÉQUAT, ALIGNEZ LE TROU DU CENTRE DE LAME AVEC L'ÉTOILE DU L'ADAPTATEUR DE LAME.

- Assurez-vous que le bord arrière de la lame (opposé au bord) est vers le haut du moteur.
- Installez le boulon de lame avec la rondelle frein et la rondelle en acier trempé dans l'adaptateur de lame et le vilebrequin.
- Utilisez un bloc de bois entre la lame et le boîtier de tondeuse

et serrez le boulon de lame, en le tournant dans le sens des aiguilles d'une montre.

- Le couple de serrage recommandé est de 35–40 lb-pi. (47–54 Nm).

IMPORTANT: LE BOULON DE LAME EST TRAITÉ À LA CHALEUR. S'IL BOULON A BESOIN REMPLACER, REMPLACEZ SEULEMENT PAR LE BOULON APPROUVÉ.

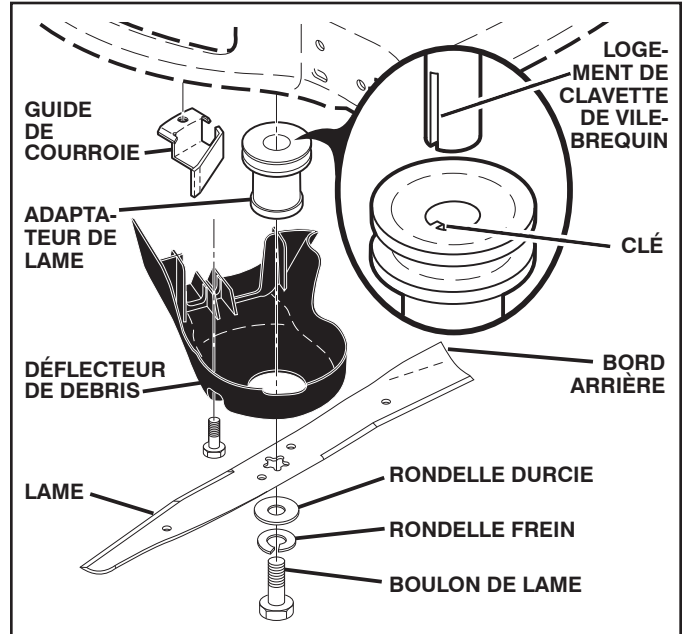


FIG. 13

AFFILER LA LAME (Voir Fig. 14)

REMARQUE: Nous ne recommandons pas que vous affiez la lame - mais si vous faites ça, la lame doit être équilibrée. Une lame mal équilibrée causera une vibration excessive et éventuellement abîmera la tondeuse ou le moteur.

- La lame peut être affilée avec une lime ou une meule. N'essayez pas d'affiler la lame sans l'enlever de la tondeuse.
- Pour vérifier l'équilibre de la lame, vous aurez besoin d'un boulon de dia. 5/8 po. ou d'une cheville en acier de dia. 5/8 po. ou d'une équilibruse conique (Si vous utilisez une équilibruse conique, suivez les instructions fournies avec l'équilibruse).

REMARQUE: N'utilisez pas un clou pour équilibrer la lame. Les parties de l'orifice central peuvent avoir l'apparence qu'elles sont centrées, mais elles ne sont pas.

- Glissez la lame sur la partie sans filetage du boulon ou la cheville en acier et gardez le boulon/la cheville dans une position parallèle avec la terre. Si la lame est équilibrée, elle doit rester horizontale. Si une extrémité de la lame se déplace vers le bas, aiguiser l'extrémité qui est trop lourde jusqu'à ce que la lame soit bien équilibrée.

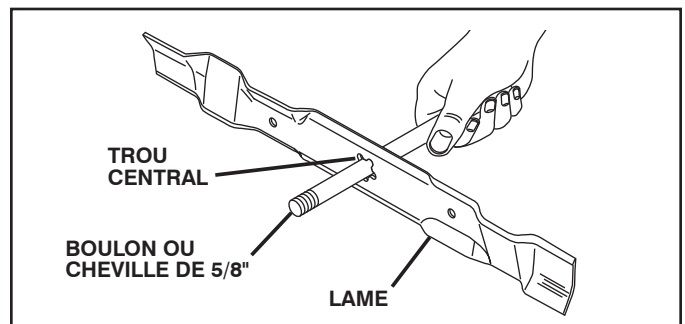


FIG. 14

ENTRETIEN



ATTENTION: Les solvants de pétrole, comme le kérosène, ne doivent pas être utilisés pour nettoyer la cartouche. Ils peuvent causer la détérioration de la cartouche. Ne mettez pas d'huile sur la cartouche. N'utilisez pas d'air comprimé pour nettoyer ou sécher la cartouche.

4. Installez la cartouche, ensuite remplacez le couvercle.

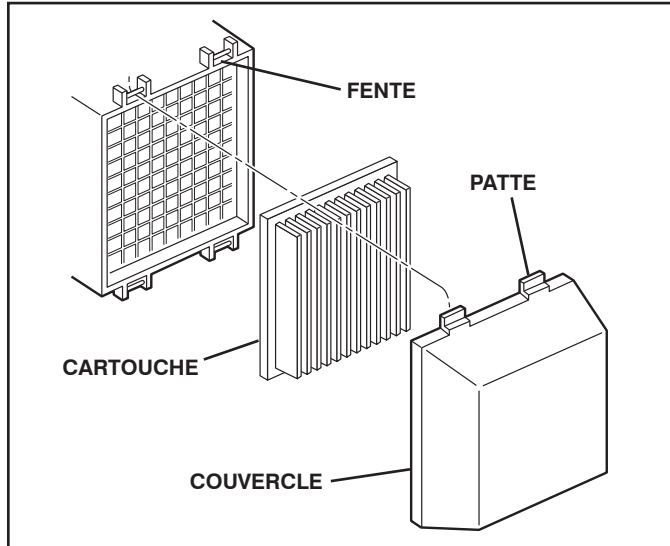


FIG. 17

SILENCIEUX

Inspectez et remplacez le silencieux corrodé pour éviter les risques d'incendie et/ou les dégâts.

BOUGIE D'ALLUMAGE

Remplacez le bougie d'allumage au début de chaque saison de tonte ou après toutes les 100 heures d'utilisation ce qui se présente en premier. Pour le type de bougie d'allumage et le réglage d'écartement, référez-vous à la "SPÉCIFICATIONS DE PRODUIT" section de ce manuel.

NETTOYAGE

IMPORTANT: POUR LE MEILLEUR RENDEMENT, MAINTENEZ LE BOÎTIER DE TONDEUSE EXEMPT DE L'ACCUMULATION DE L'HERBE ET LES DÉBRIS. NETTOYEZ LE DESSOUS DU BOÎTIER DE TONDEUSE APRÈS CHAQUE UTILISATION.



ATTENTION: Débranchez le fil de bougie d'allumage et posez-le de telle façon qu'il ne puisse pas entrer en contact avec la bougie d'allumage.

- Nettoyez le dessous de la tondeuse en grattant pour enlever l'accumulation d'herbe et de débris.
- Nettoyez fréquemment le moteur pour éviter l'accumulation de débris. Un moteur sale marche à une température plus élevée et par conséquent à une espérance de vie plus courte que normale.
- Essuyez les surfaces finies et les roues de toutes les traces d'essence, d'huile, etc.
- À l'exception du port de lavage de l'eau (si équipé), nous ne recommandons pas l'emploi d'un tuyau d'arrosage pour nettoyer votre l'extérieur de tondeuse à gazon à moins que le système électrique, le silencieux, le filtre à air et le carburateur soient couverts pour les mettre à l'abri de l'eau. La présence d'eau dans le moteur peut en réduire la durée.

NETTOYER SOUS LE COUVERCLE DE LA COURROIE D'ENTRAÎNEMENT

Nettoyez sous le couvercle de la courroie d'entraînement au moins deux fois chaque saison. Grattez le dessous du couvercle avec un couteau de mastic ou un outil semblable pour enlever toute accumulation de débris ou d'herbe sous le couvercle.

LE DISPOSITIF DE LAVAGE DE L'EAU (Voir Fig. 18)

Votre tondeuse à gazon est équipée d'un ajustage qui permet le nettoyage rapide et facile du dessous du logement. Pour employer ce dispositif, opérez comme suit:

1. Déplacez la tondeuse à gazon à un secteur d'une herbe coupée ou d'une surface dure différente.

REMARQUE: L'eau, l'herbe et d'autres débris s'écouleront sous le logement de boîtier de tondeuse pendant le processus de lavage.

2. Enlevez le ramasse-herbe et déflecteur de décharge de la tondeuse à gazon.
3. Fermez la porte de broyeur (si équipée).
4. Reliez un tuyau de jardin à l'ajustage où montré.

IMPORTANT: SOYEZ SÛR QUE LE TUYAU DE JARDIN N'EST PAS CONDUIT SOUS LE BOÎTIER DE TONDEUSE À GAZON OU N'EST PAS EMPÊTRÉ DANS LES ROUES.

5. Allumez l'approvisionnement et le contrôle en eau pour des fuites à l'ajustage.

Si aucune fuite n'est présente, mettez en marche le moteur (comme décrit dans la section d'opération de ce manuel) et laissez le moteur courir jusqu'à ce que le dessous de la tondeuse à gazon soit propre.



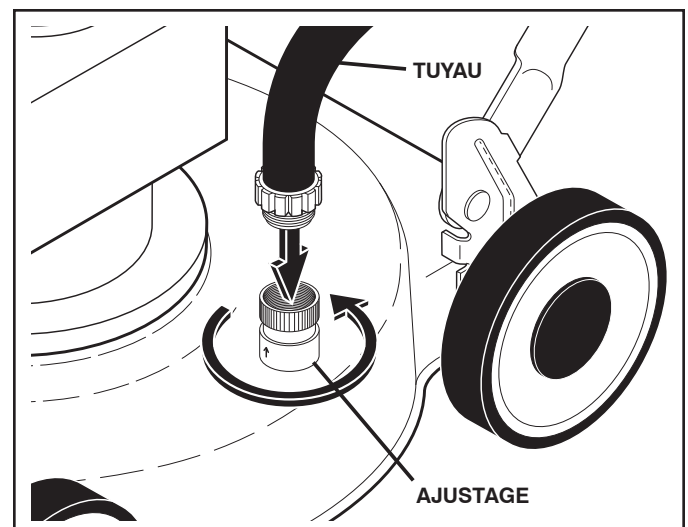
ATTENTION: N'engagez pas le système d'entraînement pendant le processus de lavage.

6. Coupez le moteur.
7. Coupez l'approvisionnement en eau et enlevez le tuyau de l'ajustage.



DANGER: N'enlevez pas le tuyau de l'ajustage de précision tandis que le moteur tourne. L'eau dans le moteur peut avoir comme conséquence la vie raccourcie de moteur.

8. Mettez en marche le moteur (comme décrit dans la section d'opération de ce manuel) et laissez le moteur courir pendant une pleine minute pour enlever l'excès d'eau de tondeuse à gazon.



RÉVISION ET RÉGLAGES

ATTENTION: AVANT D'EFFECTUER TOUS LES RÉVISION OU RÉGLAGES:



1. Relâchez la barre de commande et arrêtez le moteur.
2. Assurez-vous que la lame et toutes les pièces mobiles soient arrêtées complètement.
3. Débranchez le fil de bougie d'allumage et posez-le de telle façon qu'il ne puisse pas entrer en contact avec la bougie d'allumage.

TONDEUSE À GAZON POUR RÉGLER LA HAUTEUR DE COUPE

Voir "RÉGLER LA HAUTEUR DE COUPE" dans la section d'utilisation de ce manuel.

DÉFLECTEUR ARRIÈRE

Le déflecteur arrière fixé entre les roues arrière de votre tondeuse à gazon, est utilisé pour diminuer le risque de projection des objets à l'arrière de la tondeuse dans l'espace occupé par l'opérateur lors de la tonte. Si le déflecteur arrière est avarié, il devrait être remplacé.

POUR ENLEVER LA COURROIE D'ENTRAÎNEMENT (Voir Fig. 19)

1. Enlevez les vis fixant la chicane arrière.
2. Inclinez la tondeuse à gazon sur le côté avec le filtre à air et le carburateur vers le haut.

REMARQUE: Avant de basculer la tondeuse à gazon pour enlever la courroie d'entraînement, vidangez le réservoir d'essence en laissant marcher le moteur jusqu'à ce que le réservoir soit vide.

3. Retirez la chicane arrière.
4. Dégager le ressort de rappel de la chicane arrière / guide de courroie arrière.
5. Retirez le boulon à lame, rondelle frein, rondelle en acier trempé et la lame.
6. Retirez la déflecteur de débris.
7. Retirez la guide de courroie de la boîte de vitesses.
8. Retirez la courroie.

POUR REMPLACER LA COURROIE D'ENTRAÎNEMENT (Voir Fig. 19)

1. Insérez la nouvelle courroie du poulie de la boîte de vitesses.

REMARQUE: Utilisez toujours une courroie approuvée par le fabricant pour assurer une adaptation parfaite et une longue durabilité.

2. Réinstallez le guide-courroie de la boîte de vitesses. Assurez-vous que la nouvelle courroie d'entraînement est les étiquettes intérieures de la guide de courroie.
3. Posez l'adaptateur de lame sur le vilebrequin de moteur. Assurez-vous que la clé dans l'adaptateur et le logement de clavette dans le vilebrequin sont alignés; et cette courroie d'entraînement est les étiquettes intérieures de le guide de courroie.
4. Réengrener le ressort de rappel de la chicane arrière / guide de courroie arrière.
5. Réinstallez la chicane arrière.
6. Réinstallez le protecteur de débris.
7. Réinstallez la lame. Le couple de serrage recommandé est de 35-40 lb-pi. (47-54 Nm).
8. Remettez la tondeuse à gazon en position droite.
9. Réinstallez les vis de la chicane arrière.

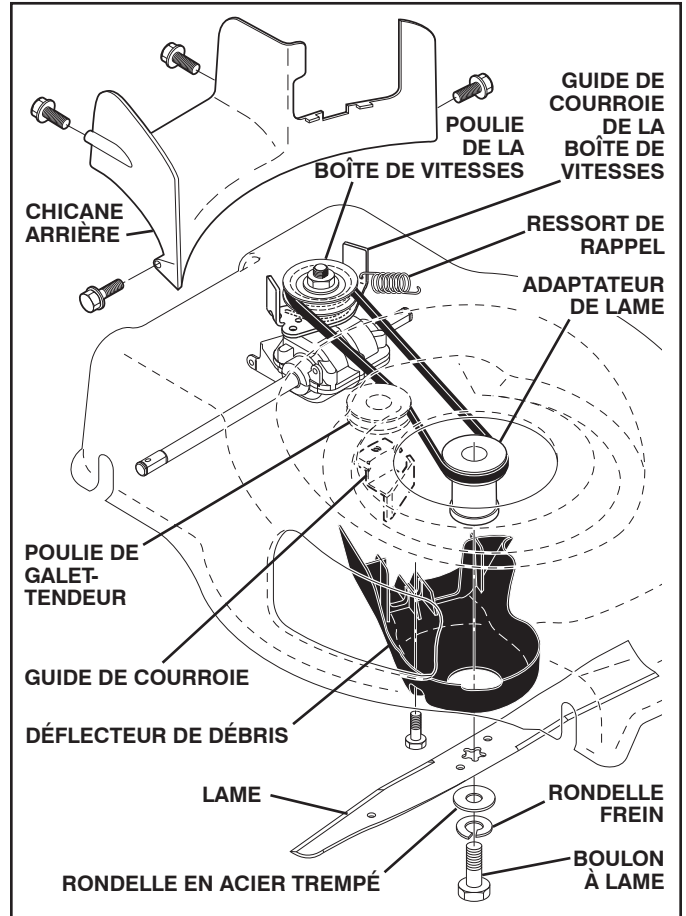


FIG. 19

POUR RÉGLER LE GUIDON (Voir Fig. 20)

Le guidon de la tondeuse à gazon a trois (3) positions de hauteur - réglez-le à une hauteur confortable.

1. Enlevez le bouton et le boulon de chariot sur un (1) côté du guidon inférieur.
2. Lorsque vous tenez l'ensemble du guidon, enlevez le bouton et le boulon de chariot de l'autre côté, alignez le trou dans le guidon avec le trou désiré dans le support de guidon puis remplacez le boulon et le bouton et serrez à fond.
3. Alignez l'autre côté du guidon à la même position et fixez le boulon et le bouton.

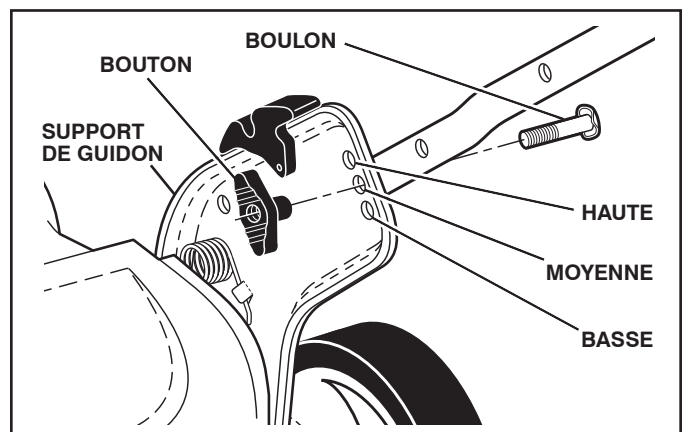


FIG. 20

RÉVISION ET RÉGLAGES

MOTEUR

L'entretien, la réparation, ou le remplacement d'aucun élément et système de la commande émission, les quelles sont fait aux frais du client, peuvent être exécutés par aucun mécanicien. Les réparations de garantie doivent être exécutées par un centre de service autorisé par le fabricant.

VITESSE DE MOTEUR

La vitesse de votre moteur a été réglée à l'usine.

CARBURATEUR

Votre carburateur n'est pas réglable.

IMPORTANT: NE TOUCHEZ PAS LE RÉGULATEUR DE MOTEUR QUI A ÉTÉ RÉGLÉ À L'USINE AVEC LA VITESSE DE MOTEUR CORRECTE. NE DÉPASSEZ JAMAIS LA VITESSE DE MOTEUR QUI A ÉTÉ ÉTABLIE À L'USINE. CETTE ACTION PEUT ÊTRE DANGEREUSE. SI VOUS PENSEZ QU'UN RÉGLAGE DE LA VITESSE MAXIMUM SOIT NÉCESSAIRE, CONTACTEZ LE CENTRE DE SERVICE HUSQVARNA OU AUTRE CENTRE QUALIFIÉ LE PLUS PROCHE. IL Y A DES TECHNICIENS BIEN QUALIFIÉS ET DES OUTILS APPROPRIÉS POUR FAIRE LES RÉPARATIONS NÉCESSAIRES.

ENTREPOSAGE

Préparez immédiatement votre tondeuse à gazon pour d'entreposage à la fin de la saison ou si la tondeuse à gazon ne sera pas utilisée pour une période de 30 jours ou plus.

TONDEUSE À GAZON

Quand la tondeuse à gazon doit être entreposée pour une certaine période, nettoyez-la soigneusement, enlevez toutes la saleté, la graisse, les débris feuilles. Entreposez dans un endroit propre et sec.

1. Nettoyez la tondeuse à gazon dans sa totalité (Référez-vous à la section de "NETTOYAGE" dans la section d'entretien de ce manuel).
2. Lubrifiez comme montré dans la section d'entretien de ce manuel.
3. Assurez-vous que tous les écrous, les boulons, les vis et les goupilles soient bien attachés. Vérifiez les pièces tournantes pour l'avarie, la casse, et l'usure. Remplacez-les si nécessaire.
4. Retouchez les surfaces rouillées et les surfaces où la peinture est abîmée; poncez légèrement avant de peindre.

GUIDON (Voir les Figs. 21 et 22)

Vous pouvez replier votre guidon de tondeuse à gazon pour l'entreposage.

1. Desserrez les deux boutons de guidon "star" sur les côtés du guidon supérieur et pliez le guidon vers l'arrière.
 2. Desserrez les deux boutons de guidon "standard" sur des deux côtés du guidon inférieur et faites pivoter vers l'avant le guidon en entier jusqu'à ce qu'il repose sur la tondeuse.
 3. Réinstallez les boutons "standard" et les boulons de chariot sur le guidon inférieur ou les supports de guidon pour l'entreposage.
- Lorsque vous déployez le guidon après l'entreposage, le guidon inférieur doit être bloqué à la main dans la position d'utilisation.

IMPORTANT: QUAND VOUS REPLIEZ LE GUIDON POUR L'ENTREPOSAGE OU LE TRANSPORT, ASSUREZ-VOUS QUE VOUS PLIEZ LE GUIDON COMME MONTRÉ, OU VOUS POURRIEZ ENDOMMAGER LES CÂBLES DE COMMANDE.

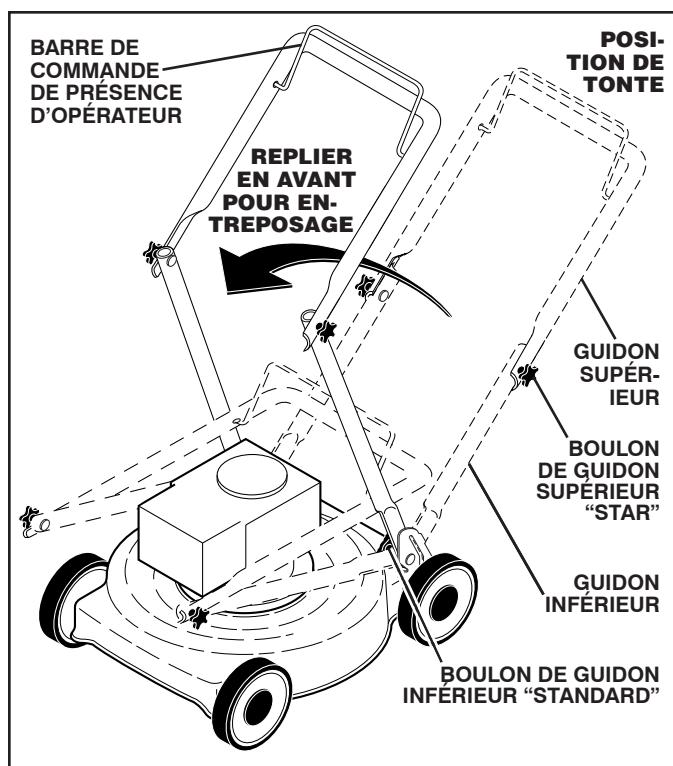


FIG. 21

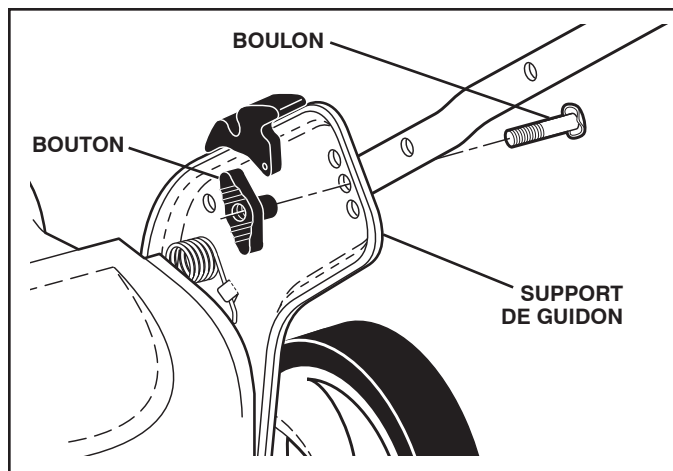


FIG. 22

ENTREPOSAGE

MOTEUR

SYSTÈME D'ESSENCE

IMPORTANT: IL EST IMPORTANT DE PRÉVENIR, PENDANT L'ENTREPOSAGE, LES DÉPÔTS DE GOMME DANS LES PARTIES ESSENTIELLES DU SYSTÈME D'ESSENCE TELLES QUE LE CARBURATEUR, LE FILTRE À ESSENCE, LES CONDUITES D'ESSENCE, OU LE RÉSERVOIR D'ESSENCE. LES ESSENCES CONTENANT DE L'ALCOOL (ÉTHANOL OU MÉTHANOL ET PARFOIS APPELÉES GASOHOL) PEUVENT ABSORBER DE L'HUMIDITÉ. CECI CONDUIT À LA SÉPARATION DES ÉLÉMENTS DU MÉLANGE ET À LA FORMATION D'ACIDE EN CAS DE CONSERVATION PROLONGÉE. L'ESSENCE DEVENUE ACIDE PEUT AVARIER LE SYSTÈME D'ESSENCE PENDANT LA DURÉE DE L'ENTREPOSAGE.

- Vidangez le réservoir d'essence en mettant en marche le moteur et le laissant courir jusqu'à ce que les conduites d'essence et le carburateur soient vides.
- N'utilisez jamais de produits spéciaux pour nettoyer le moteur ou le carburateur dans le réservoir d'essence. L'emploi de ces produits pourrait causer des dégâts permanents.
- Utilisez de l'essence fraîche l'année suivante.

REMARQUE: Les stabilisateurs d'essence sont une alternative acceptable pour minimiser la formation des dépôts de gomme pendant les périodes d'entreposage. Ajoutez le stabilisateur dans l'essence dans le réservoir d'essence ou le bidon d'essence. Respectez le rapport d'essence/stabilisateur indiqué sur le flacon de stabilisateur. Marchez le moteur pendant au moins 10 minutes après avoir ajouté le stabilisateur pour permettre le stabilisateur d'atteindre le carburateur. Ne vidangez pas le réservoir d'essence ou le carburateur si vous utilisez un stabilisateur d'essence.

HUILE DE MOTEUR

Vidangez l'huile (avec un moteur chaud) et remplacez avec de l'huile de moteur fraîche (Voir "MOTEUR" dans la section d'entretien de ce manuel).

CYLINDRE

1. Enlevez la bougie d'allumage.
2. Versez 29 ml (une once) d'huile par l'orifice de la bougie d'allumage dans le cylindre.
3. Tirez lentement la poignée de démarreur pendant quelques secondes pour répartir l'huile.
4. Installez une nouvelle bougie d'allumage.

AUTRES

- Ne conservez pas d'essence d'une saison à l'autre.
- Changez votre bidon d'essence s'il commence à rouiller. La rouille et/ou les saletés dans l'essence feront arriver les problèmes.
- Si possible, entreposez votre tondeuse à gazon à l'intérieur d'un bâtiment et couvrez-la pour la protéger des saletés et de la poussière.
- Couvrez votre tondeuse à gazon avec une housse adéquate qui ne retient pas l'humidité. N'utilisez pas de plastique. Le plastique ne peut pas respirer ce qui permet la condensation et la formation de rouille sur votre tondeuse à gazon.

IMPORTANT: NE COUVREZ JAMAIS VOTRE TONDEUSE À GAZON QUAND LE MOTEUR ET LE SILENCIEUX SONT ENCORE CHAUDS.



ATTENTION: N'entreposez jamais à l'intérieur d'un bâtiment une tondeuse à gazon avec de l'essence dans le réservoir. Les vapeurs d'essence en provenance du réservoir peuvent s'enflammer au contact d'une flamme découverte ou des étincelles. Laissez refroidir le moteur avant de placer la tondeuse à gazon dans un espace clos.

GUIDE DE DÉPANNAGE

Voir la section appropriée dans le manuel à moins que dirigé à un centre d'entretien Husqvarna.

PROBLÈME	CAUSE	SOLUTION
Le moteur refuse de démarrer	<ol style="list-style-type: none">1. Filtre à air sale2. Sans essence.3. Essence trop vieille.4. Eau dans l'essence.5. Fil de bougie d'allumage débranché.6. Mauvaise bougie d'allumage.7. Lame desserrée ou adaptateur de lame cassé.8. Barre de commande relâchée.9. Barre de commande défectueuse.10. La valve d'essence (si équipé) est dans la position de marche OFF.11. Batterie faible (si équipé).12. Connexion de batterie débranchée (si équipé).13. Levier de commande de moteur en position STOP.	<ol style="list-style-type: none">1. Nettoyez/remplacez le filtre à air.2. Remplissez réservoir d'essence.3. Vidangez le réservoir et remplissez-le avec de l'essence fraîche et propre.4. Vidangez le réservoir et remplissez-le avec de l'essence fraîche et propre.5. Branchez le fil de bougie d'allumage à la bougie.6. Changez la bougie d'allumage.7. Serrez boulon de lame/remplacez l'adaptateur de lame.8. Tenez la barre de commande contre le guidon.9. Remplacez la barre de commande.10. Tournez le valve d'essence dans la position de marche ON.11. Chargez la batterie.12. Branchez la batterie au moteur.13. Placez le levier de commande de moteur dans la position RAPIDE.

GUIDE DE DÉPANNAGE

Voir la section appropriée dans le manuel à moins que dirigé à un centre d'entretien Husqvarna.

PROBLÈME	CAUSE	SOLUTION
Le moteur manque de puissance	<ol style="list-style-type: none"> 1. L'arrière du boîtier de tondeuse à gazon ou lame entraînée dans l'herbe haute. 2. Trop d'herbe. 3. Filtre à air sale. 4. Accumulation d'herbe, de feuilles, et de débris sous la tondeuse. 5. Trop d'huile dans le moteur. 6. Vitesse trop rapide. 	<ol style="list-style-type: none"> 1. Élevez la hauteur de coupe. 2. Élevez la hauteur de coupe. 3. Nettoyez ou remplacez le filtre à air. 4. Nettoyez le dessous du boîtier de la tondeuse à gazon. 5. Vérifiez le niveau d'huile. 6. Baissez la vitesse de marche.
Coupe irrégulière	<ol style="list-style-type: none"> 1. Lame usée, tordue ou desserrée. 2. Hauteur des roues inégale. 3. Accumulation d'herbe, de feuilles, et de débris sous la tondeuse. 	<ol style="list-style-type: none"> 1. Remplacez la lame. Serrez le boulon de lame. 2. Réglez les 4 roues à la même hauteur. 3. Nettoyez le dessous du boîtier de tondeuse à gazon.
Vibrations excessives	<ol style="list-style-type: none"> 1. Lame usée, tordue ou desserrée. 2. Vilebrequin tordu. 	<ol style="list-style-type: none"> 1. Remplacez la lame. Serrez le boulon de lame. 2. Contactez un centre de service Husqvarna ou autre centre de service qualifié.
Câble de démarreur difficile à tirer	<ol style="list-style-type: none"> 1. Le frein du volant est serré quand la barre de commande est relâchée. 2. Vilebrequin tordu. 3. Adaptateur de lame cassé. 4. La lame entraînée dans l'herbe. 5. Commande lame/frein défectueuse. 	<ol style="list-style-type: none"> 1. Tenez la barre de commande contre le guidon supérieur avant de tirer le câble de démarreur. 2. Contactez un centre de service Husqvarna ou autre centre de service qualifié. 3. Changez l'adaptateur de lame. 4. Poussez-la sur une zone où l'herbe est déjà coupée ou sur un terrain dur et plat. 5. Remplacez la commande de lame/frein.
Le ramasse-herbe ne se remplit pas (si la tondeuse équipée d'un ramasse-herbe)	<ol style="list-style-type: none"> 1. Hauteur de coupe trop basse. 2. La section de lame qui soulève l'herbe est usée. 3. Le ramasse-herbe ne permet plus le assage d'air. 	<ol style="list-style-type: none"> 1. Élevez la hauteur de coupe. 2. Changez la lame. 3. Nettoyez le sac de décharge.
Difficile à pousser	<ol style="list-style-type: none"> 1. L'herbe est trop haute ou la hauteur des roues est trop basse. 2. Arrière du boîtier de tondeuse à gazon ou lame entraînée dans l'herbe haute. 3. Ramasse-herbe trop plein. 4. La hauteur du guidon ne vous convient pas. 	<ol style="list-style-type: none"> 1. Élevez la hauteur de coupe. 2. Élevez la partie arrière du boîtier de la tondeuse à gazon (un réglage plus haut). 3. Videz le ramasse-herbe. 4. Réglez le guidon à une hauteur qui vous convient.
Perte de commande ou ralentissement de la vitesse d'entraînement	<ol style="list-style-type: none"> 1. Usure de la courroie. 2. Tirez la courroie de la poulie. 3. Ressort de tension de la courroie enlevé. 4. Le système de commande d'entraînement "desserré". 	<ol style="list-style-type: none"> 1. Vérifiez/remplacez la courroie d'entraînement. 2. Vérifiez/réinstallez la courroie d'entraînement. 3. Remplacez le ressort de tension de la courroie. 4. Ajustez la commande d'entraînement.

GARANTIE LIMITÉE

La couverture. Nous garantissons que ce produit est **exempt de défauts de matériaux et de fabrication** lors d'un usage et d'un entretien normaux. Certaines composantes, comme les pièces à usure normale, les moteurs et les transmissions, sont exclus de la présente Garantie. Nous réparons ou remplaçons sans frais, à notre discrétion, tout produit ou pièce défectueuses couvert par la Garantie limitée, chez tout concessionnaire réparateur Husqvarna autorisé qui utilise les pièces de rechange du fabricant d'équipement d'origine, sous réserve des restrictions et exclusions décrites ci-après.

Période de la Garantie limitée. Nous garantissons le produit au premier acheteur au détail, à compter de la date de l'achat au détail, pour la période de Garantie stipulée au tableau ci-dessous.

Ce qui n'est PAS couvert. La présente Garantie limitée ne couvre pas :

- (a) Les moteurs et transmissions, sauf tel qu'indiqué au tableau ci-dessous; une garantie séparée fournie avec votre produit peut s'appliquer.
- (b) Les pièces à usure normale (pièces et articles qui s'usent normalement à l'usage) y compris, mais sans s'y limiter, les bougies, ampoules, filtres, lubrifiants, cordes de lancement, courroies, lames et adaptateurs de lames, ni les dommages causés par l'usure normale, comme l'usure par frottement des plateaux de coupe, les pneus crevés par une source externe, la décoloration naturelle des matériaux, ainsi que l'éroussement et la détérioration des lames dus au contact avec les abrasifs, cailloux, tiges ou autres corps étrangers.
- (c) Les appareils et les composantes de contrôle des émissions, dans la mesure réglementée par la Environmental Protection Agency des États-Unis ou d'autres agences gouvernementales semblables. Celles-ci sont couvertes par une déclaration de garantie de lutte contre les émissions distincte contenue dans le guide de l'utilisateur.
- (d) Selon le produit, il y a soit une NON-GARANTIE, soit une garantie réduite si le produit est utilisé à des fins commerciales, non résidentielles ou locatives et, en pareilles circonstances, la présente Garantie limitée est offerte en lieu et place de tout régime de garantie prévu par la loi. Veuillez consulter le tableau ci-dessous.
- (e) Les dommages liés au mauvais traitement, à l'usage abusif, à la négligence, aux modifications, aux changements, à l'utilisation d'accessoires non autorisés, à l'entreposage inapproprié, au manque de lubrification ou à une panne de moteur en raison de l'emploi de lubrifiants ne correspondant pas aux caractéristiques techniques du fabricant du moteur, au nettoyage du produit à haute pression ou à la vapeur, à la saleté excessive, aux abrasifs, ainsi qu'à l'eau salée, l'humidité, la corrosion, la rouille ou le vernis. L'omission d'effectuer l'entretien requis tel que prévu dans le guide de l'utilisateur annulera la présente Garantie.
- (f) Les dommages ou défaillances attribuables à une préparation, une pré-livraison ou une réparation inappropriée par toute personne autre qu'un concessionnaire réparateur autorisé durant la période de Garantie.
- (g) Les dommages causés par de l'essence contenant plus de 10 % (E10) d'éthanol (p. ex., E15, E25, E30, E50, E85), l'utilisation d'éther, d'un liquide d'allumage semblable ou d'un carburant vieilli.
- (h) Les dommages aux pulvérisateurs causés par l'aspersion de matières caustiques ou inflammables, ou l'absence ou le bris de crépines.

Vos responsabilités. Pour protéger vos droits en vertu de la présente Garantie limitée, vous devez utiliser le produit en prenant un soin raisonnable, ce qui comprend de procéder à l'entretien préventif, à l'entreposage et à l'utilisation de carburant et de lubrifiants tel que prévu dans le guide de l'utilisateur. Tout réglage (p. ex., du câble d'accélérateur ou des guide-courroie) après les trente premiers jours suivant l'achat et tout entretien préventif décrit dans le guide de l'utilisateur ne sont PAS couverts. De plus, vous devez cesser d'utiliser le produit immédiatement, en cas de défaillance ou d'avarie, et l'apporter à un concessionnaire réparateur autorisé avant toute utilisation ultérieure.

EXCLUSIONS DE GARANTIE, EXONÉRATIONS ET DROITS LIMITÉS. NOUS NE SOMMES RESPONSABLES D'AUCUN DOMMAGE INDIRECT OU CONSÉCUTIF. VOTRE RECOURS SE LIMITE À LA RÉPARATION OU AU REMPLACEMENT DU PRODUIT OU DE LA PIÈCE, À NOTRE DISCRÉTION. IL N'Y A AUCUNE AUTRE GARANTIE EXPRESSE QUE CELLES EXPRI-MÉES AUX PRÉSENTES. TOUTE GARANTIE IMPLICITE EN VERTU DE LA LOI DE L'ÉTAT (QU'ELLE SOIT RELATIVE À LA QUALITÉ MARCHANDE, À UNE APTITUDE À UNE UTILISATION PARTICULIÈRE OU AUTREMENT) EST DÉCLINÉE PAR LES PRÉSENTES; LÀ OÙ DE TELLES EXONÉRATIONS NE SONT PAS PERMISES PAR LA LOI, ALORS LA PRÉSENTE GARANTIE IMPLICITE SE LIMITE À LA DURÉE DE LA GARANTIE LIMITÉE QUI S'APPLIQUE, COMME ÉNONCÉ DANS LE TABLEAU CI-DESSOUS. CERTAINES RÉGIONS, PARMIS LESQUELLES LE QUÉBEC, NE PERMETTENT PAS L'EXCLUSION DE DOMMAGES INDIRECTS OU CONSÉCUTIFS OU LES LIMITATIONS SUR LA DURÉE DES GARANTIES IMPLICITES, SI BIEN QUE LES LIMITATIONS CI-DESSUS PEUVENT NE PAS S'APPLIQUER À VOUS. LA PRÉSENTE GARANTIE LIMITÉE VOUS DONNE DES DROITS JURIDIQUES PRÉCIS ET VOUS POUVEZ AUSSI AVOIR D'AUTRES DROITS SELON VOTRE RÉGION.

Comment obtenir les services. Pour obtenir les services sous garantie, vous devez apporter votre produit à un concessionnaire réparateur autorisé. Pour trouver le concessionnaire réparateur autorisé le plus proche, visitez notre site Web et utilisez l'onglet Trouver un concessionnaire, ou appelez le 1-800-805-5523 entre 8 heures et 19 heures (HNE). Tous les frais de transport ou d'expédition du produit sont à votre charge. Vous devez présenter la preuve d'achat (comportant la date, le modèle du produit et son numéro de série) à un concessionnaire réparateur autorisé pour les services sous garantie. La preuve d'achat est votre entière responsabilité. Vous pouvez enregistrer votre produit à l'aide de notre site d'inscription du produit en ligne pour vous assurer d'être avisé(e) d'importants renseignements sur les produits. L'enregistrement du produit n'est toutefois pas une condition des services sous garantie.



www.husqvarna.com/us ou www.husqvarna.com/ca

Husqvarna® Tableau de garantie 2015 587 70 46-01	Grand public (usage personnel domestique seulement)	Commercial (toute utilisation com- merciale, professionnelle, agricole, institutionnelle ou générant un revenu, autre qu'une utilisation locale)	Location (toute utilisation locale)
PRODUITS PORTATIFS			
Scies à chaîne ^{(1) (2)}	2 ans	90 jours ⁽³⁾	90 jours
Découpeuses ⁽¹⁾	voir note 8	1 an ⁽⁴⁾	90 jours
Coupe-herbe à fil de série 100, souffleurs de série 125 et accessoires (modèles à manche détachable) ^{(1) (2)}	2 ans	90 jours	90 jours
Coupe-herbe à fil 223L, 224L, 323L et accessoires (modèles à manche détachable) ⁽¹⁾	2 ans	1 an	90 jours
Tous autres produits portatifs et accessoires (modèles à manche détachable) ^{(1) (2)}	2 ans	2 ans	90 jours
PRODUITS SUR ROUES			
Produits sur roues grand public			
RZ-Tondeuses à rayon de braquage zéro, tracteurs, tondeuses à gazon, coupe-herbe à grandes roues ^{(5) (6) (7)}	3 ans	Sans garantie	Sans garantie
MZ-Tondeuses à rayon de braquage zéro ^{(5) (6)}	3 ans	1 an	Sans garantie
Produits sur roues commerciaux			
M-ZT & P-ZT - Tondeuses à rayon de braquage zéro, tondeuses à gazon commerciales ^{(5) (6)}	voir note 8	2 ans	90 jours
PZ - Tondeuses à rayon de braquage zéro ^{(4) (5)}	voir note 8	3 ans (3 ^e année, pièces seulement)	90 jours
Autres produits sur roues			
Fendeuse ⁽⁵⁾	2 ans	Sans garantie	Sans garantie
Motoculteurs ^{(5) (6)}	3 ans	90 jours	90 jours
100, 200, and 300 Series Snow Throwers	3 ans	90 jours	90 jours
Souffleuses à neige de série 100, 200 et 300 avec moteurs Husqvarna	5 ans	90 jours	90 jours
Souffleuses à neige de série 300 avec boîte d'engrenage et turbine en fonte	10 ans	90 jours	90 jours
Tondeuse Robot			
Tondeuse Robot	2 ans	90 jours	90 jours
Batterie	1 an	1 an	1 an
Batteries plomb-acide (pour tous les produits sur roues) ⁽⁹⁾	180 jours	180 jours	180 jours
Moteurs			
Rato, LCT, Locin	2 ans	90 jours	Sans garantie
Tous autres	voir note 5	voir note 5	voir note 5
Transmission/Systèmes d'entraînement			
Tuff Torq, General Transmission	2 ans	Sans garantie	Sans garantie
Peerless	3 ans	Sans garantie	Sans garantie
Hydro-Gear, tous autres	voir note 6	voir note 6	voir note 6
Plateaux de coupe			
Tondeuses à rayon de braquage zéro et tracteurs avec coque du plateau de coupe estampé renforcé	10 ans	Sans garantie	Sans garantie
Coque de plateau de coupe fabriqué des tondeuses à rayon de braquage zéro et des tracteurs	voir note 1	Sans garantie	Sans garantie
AUTRES PRODUITS, PIÈCES ET ACCESSOIRES			
Pièces et accessoires (achetés) ⁽¹⁰⁾			
Systèmes de collecte et sacs collecteurs	1 an	90 jours	Sans garantie
Tous autres accessoires (p. ex., guide-chaînes, chaînes, mallettes de transport, tête de coupe-herbe, gardes de coupe-herbe, vêtements de protection personnels, etc.)	90 jours	30 jours	Sans garantie
Pièces (p. ex., courroies, lames, couvercles de démarreurs, ressorts de démarreurs, etc.)	30 jours	30 jours	Sans garantie
Produits remis à neuf ou en état	30 jours	Sans garantie	Sans garantie
Vaporisateurs	1 an	1 an	1 an

- Les modules d'allumage, les dents de motoculteurs, les plateaux de coupe fabriqués et les arbres de coupe-herbe bénéficient tous d'une "Garantie à vie limitée" et sont couverts pendant toute la durée de vie du produit ou pendant sept (7) ans après la production finale du produit, selon la première éventualité des deux.
Les pièces et la main-d'œuvre sont incluses dans la période de Garantie initiale; la main-d'œuvre est exclue après l'expiration de la période de Garantie initiale. La garantie à vie limitée inclut jusqu'à deux (2) remplacements de coque de plateau. Les élagueuses sur perche et les taille-haies sur perche sont exclus de la "Garantie à vie limitée".
- Batterie pour produits portatifs. La garantie couvre l'appareil, la batterie et le chargeur.
- Les scies à chaîne XP sont couvertes par une garantie commerciale de 180 jours. (Comprend la scie à chaîne XP, batterie, et chargeur)
- La découpeuse K1260 est seulement couverte par une garantie commerciale de 90 jours.
- Les moteurs sont couverts par une garantie séparée du fabricant du moteur; veuillez consulter la garantie de moteur séparée fournie avec votre produit.
- RZ -(transmission intégrée EZT): la transmission Hydro-Gear est couverte par une garantie grand public de deux (2) ans, pièces et main-d'œuvre. MZ-(transmission ZT3100): la transmission Hydro-Gear est couverte par une garantie commerciale d'un (1) an et une garantie grand public de deux (2) ans, pièces et main-d'œuvre.
M-ZT / P-ZT-(transmission ZT3400): la transmission Hydro-Gear est couverte par une garantie de deux (2) ans, pièces et main-d'œuvre.
PZ - (Pompe et moteur-roue ou transmission ZT5400) garantie de trois (3) ans, comme suit:
Hydro-Gear garantit la première (1^{re}) année - pièces et main-d'œuvre.
Hydro-Gear garantit la deuxième (2^e) année - pièces seulement. Husqvarna garantit la main-d'œuvre pour la deuxième (2^e) année.
Husqvarna garantit la troisième (3^e) année - pièces seulement.
Souffleuses à neige et tracteurs: la transmission Hydro-Gear est couverte par une garantie grand public de deux (2) ans, pièces et main-d'œuvre. Pour toutes les autres marques, votre transmission est couverte par une garantie séparée du fabricant de la transmission; veuillez consulter la garantie de transmission séparée fournie avec votre produit.
- Le cadre, le châssis et l'essieu avant du tracteur sont couverts par une garantie grand public de cinq (5) ans.
- Si l'utilisation commerciale l'exige.
- La garantie de la batterie ne couvre pas les batteries déchargées ou non chargées.
- Les pièces de rechange et les accessoires fournis dans le cadre de la Garantie limitée ne sont garantis que pour le RESTE de la période de Garantie applicable à la pièce ou l'accessoire remplacé.

Enregistrement du produit

Veuillez enregistrer votre produit sur le site www.husqvarna.com/us ou www.husqvarna.com/ca. Cliquez sur "Support" (Soutien) puis sur "Product Registration" (Enregistrement du produit)

Vous pouvez appeler le 1-800-487-5951 (É.-U.) ou le 1-800-805-5523 (Canada) pour faire enregistrer votre produit. Veuillez avoir toutes les informations pertinentes sous la main avant d'appeler le Soutien à la clientèle.

Merci d'avoir choisi Husqvarna.

12/19/2015 BY