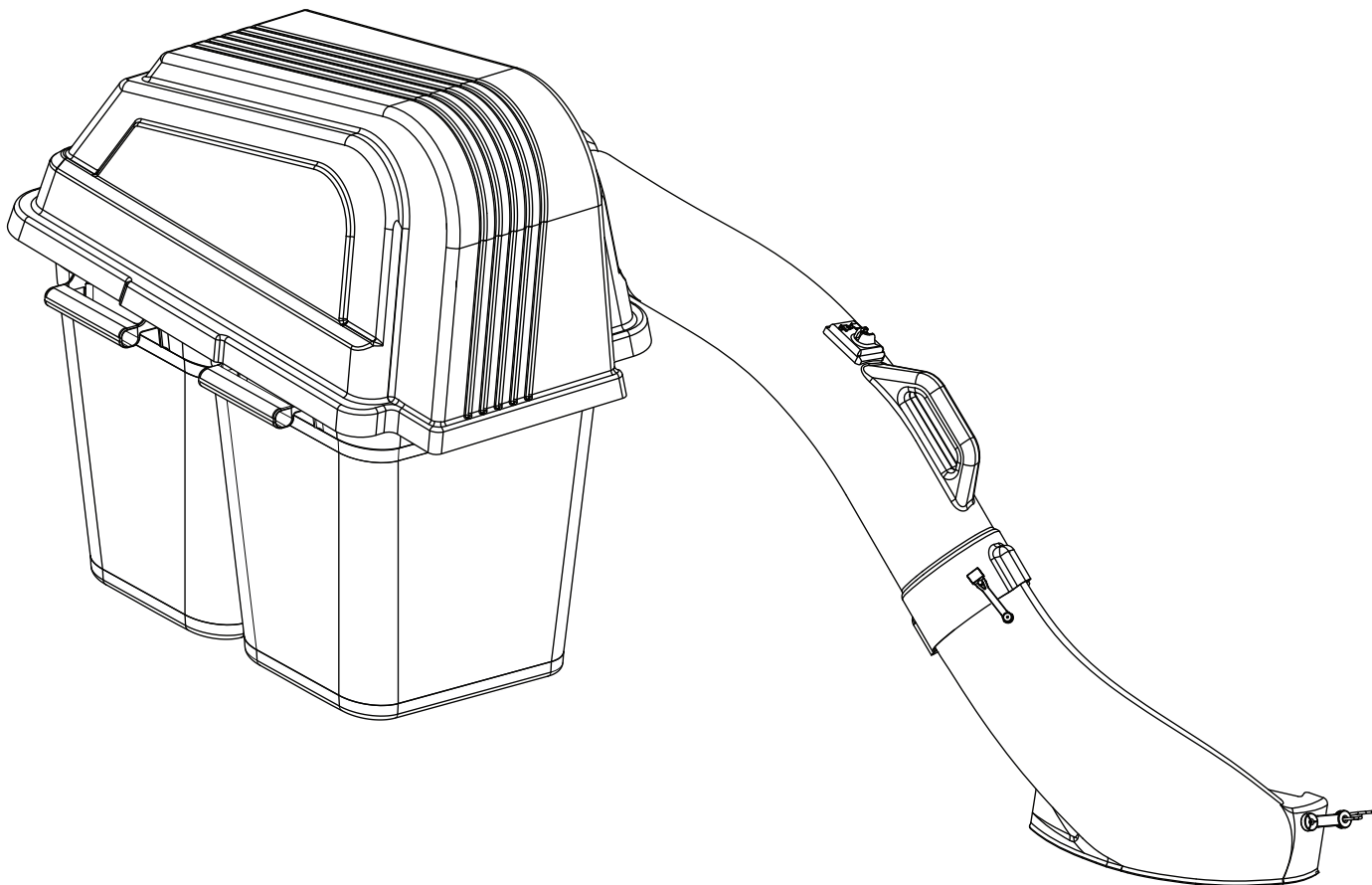


# GRASS CATCHER

## Operator / Parts Manual



**42" / 587412401**



Please read the operator manual carefully and make sure you understand the instructions before using the machine.

**CONGRATULATIONS** on the purchase of a new collection system. It has been designed, engineered and manufactured to give the best possible dependability and performance.

If you experience any problem you cannot easily remedy, contact your nearest authorized service center/ department. They have competent, well-trained technicians and the proper tools for service and repairs.

Please read and retain this manual. The instructions will enable you to assemble and maintain your collection system properly. Always observe the SAFETY RULES.

## KNOW YOUR GRASS CATCHER

READ THIS OPERATION MANUAL AND SAFETY RULES BEFORE ASSEMBLING OR OPERATING YOUR COLLECTION SYSTEM. Compare the illustrations with the carton contents to familiarize yourself with the parts before starting the assembly. Study the operating instructions and safety precautions thoroughly to insure proper functioning of your Grass Catcher and to prevent injury to yourself and others. Save this manual for future reference.



**CAUTION!** DO NOT operate mower with grass catcher partially installed.

- Disengage blades and stop engine before leaving mower seat to empty containers, unclogging chutes, etc.
- Close cover before starting.
- Disengage mower blades when crossing driveways or gravel surfaces and other areas where thrown objects could be a hazard.
- DO NOT attempt to vacuum cans or other potentially hazardous projectiles.



**CAUTION!** Do not leave grass in bagger containers. Empty containers after each use and before storing. Failure to do so may result in spontaneous combustion which could develop into a fire.



**CAUTION!** Grass catcher components are subject to wear, damage and deterioration, which could expose moving parts or allow objects to be thrown. Frequently check components and replace with manufacturer's recommended parts, when necessary.



**CAUTION!** Before assembling grass catcher to mower:

- Set parking brake.
- Place motion control levers in NEUTRAL position.
- Turn ignition key OFF and remove key.
- Make sure the blades and all moving parts have completely stopped.



**CAUTION!** Engine exhaust, some of its constituents, and certain vehicle components contain or emit chemicals known to the State of California to cause cancer and birth defects or other reproductive harm.



**CAUTION!** The operation of any mower can result in foreign objects thrown into the eyes, which can result in severe eye damage. ALWAYS wear safety glasses or eye shields before starting your mower and while mowing. Standard safety glasses are recommended or a wide vision safety mask for over spectacles.



**CAUTION!** Battery posts, terminals and related accessories contain lead and lead compounds, chemicals known to the State of California to cause cancer and birth defects or other reproductive harm. Wash hands after handling.

# CONTENTS

---

SAFETY.....	4
ASSEMBLY .....	5
REPAIR PARTS .....	8

---

## Tips For Improved Bagging

- Follow the mower operation instructions in the Operator Manual.
- When using the grass catcher on a lawn where grass and leaf bagging equipment has not been used previously, thatch and debris that has accumulated for long periods of time is picked up. The amount collected and the total time of operation may be greater than will be experienced with regular use of the grass catcher.
- Always run throttle at full speed when bagging.
- Select a speed low enough to give good mower cutting performance, good quality cut and good bagging performance.  
*NOTE: It may be necessary to overlap width of cut to suit conditions.*
- If grass is extremely tall, it should be mowed twice. The first cut should be at one of the highest settings, the second time to desired height.
- Use the left hand side of mower for trimming.
- Avoid cutting wet grass or in the morning while the dew is still heavy. Grass clippings collected under these conditions tend to be sticky and adhere to the walls of the flow path causing clogging.
- If the grass catcher fails to pick up cut grass or leaves, it is an indication that clogging has occurred in the system or that the grass catcher containers are full.
  - a. Disengage blades, place motion control levers in neutral position.
    - Unlatch and raise cover.
    - Slide out containers and dispose of clippings.
    - Replace containers, close cover, and latch.
  - b. Unlatch chutes and check for clogging.
    - Remove all debris in chute.
    - Reassemble and latch chutes.

- Plastic trash bags (3.0 mil, 30 gallon) can be inserted inside grass catcher containers for ease of debris disposal. To remove the plastic trash bags when full:
  - a. Disengage blades, shift into neutral, engage the parking brake and stop the engine.
  - b. Unlatch and raise cover.
  - c. Remove one container at a time by grasping container handles and pulling toward the rear, off of the tube rails.
  - d. With the container resting on the ground, close and secure the top of the plastic lawn bag.
  - e. Tip the container on its side and slide the filled bag from the container.
  - f. Install a new plastic lawn bag with the edges of the bag draped over upper lip of the Container.
  - g. Repeat for other container.
  - h. Reinstall containers making sure right container overlaps left container at center supports.
  - i. Close cover and secure latches over center support tubes.

## General Recommendations

Always observe safety rules when performing any maintenance.

- Before each use check for loose fasteners.
- Clean unit thoroughly after each use.

## Blade Care

- For best results mower blades must be kept sharp. Replace bent or damaged blades.
- See instructions in the mower operator manual.

## Storage

When grass catcher is to be stored for a period of time, clean it thoroughly, remove all dirt, grass, leaves, etc. Store in a clean, dry place.

# SAFETY



**WARNING! THIS CUTTING MACHINE IS CAPABLE OF AMPUTATING HANDS AND FEET AND THROWING OBJECTS. FAILURE TO OBSERVE THE FOLLOWING SAFETY INSTRUCTIONS COULD RESULT IN SERIOUS INJURY OR DEATH.**

## General Operation

- Read, understand and follow all instructions in the manual and on the machine before starting.
- Keep machine free of grass, leaves or other debris buildup which can touch hot exhaust/engine parts and burn. Do not allow the mower deck to plow leaves or other debris which can cause buildup to occur.
- Stop engine before removing grass catcher or unclogging chute.
- Do not operate the mower without either the entire grass catcher or the guard in place. Be aware of the mower discharge direction and do not direct it towards anyone.
- Clear the area of objects such as rocks, stones, toys, wire etc., which could be picked up and thrown by the blades.
- Only allow responsible adults, who are familiar with the instructions, to operate the machine.
- The owner and operator of this equipment can prevent accidents and is responsible for accidents or injuries occurring to themselves, other people and/or property.
- Be sure the area is clear of all people and pets before mowing. Stop the machine if anyone enters the area.
- Never carry passengers or children even with blades off.
- Do not mow in reverse unless absolutely necessary. Always look down and behind before and while backing.
- Slow down before turning.
- Never leave the machine unattended when the engine is running. Always turn off the blades, set the parking brake, stop the engine and remove the key before leaving the machine.
- Turn off blades when not mowing.
- Mow only in daylight or good artificial light.
- Do not operate the machine while under the influence of alcohol or drugs.
- Watch out for traffic when operating near or crossing roadways.
- Use extra care when loading and unloading the machine onto a trailer or truck.
- Data indicates that operators, age 60 years and above, are involved in a large percentage of riding mower-related injuries. These operators should evaluate their ability to operate the riding mower safely enough to protect themselves and others from serious injury.
- Clean any oil or fuel spillage before operating or storing the machine.
- Allow machine to cool before storage.

## Slope Operation

Slopes are a major factor related to loss-of-control and tip-over accidents, which can result in severe injury or death. All slopes require extra caution. If you cannot back up the slope or if you feel uneasy on it, do not mow it.

### DO

- Mow up and down slopes (10° Max.), not across.
- Remove obstacles such as rocks, tree limbs, etc.
- Watch for holes, ruts, or bumps. Uneven terrain could overturn the machine. **Tall grass can hide obstacles.**
- Use slow speed. Choose a low speed so that you will not have to stop while on the slope.
- Use extra care with grass catchers or other attachments. These can change the stability of the machine.
- Keep all movement on the slopes **slow** and **gradual**. Do not make sudden changes in speed or direction.
- Avoid starting or stopping on a slope. If tires lose traction, disengage the blades and proceed slowly **straight** down the slope.

### DO NOT

- **Do not** turn on slopes unless necessary, and then, turn slowly and gradually downhill, if possible.
- **Do not** mow near drop-off, ditches, or embankments. The mower could suddenly turn over if a wheel is over the edge of a cliff or ditch, or if an edge caves in.
- **Do not** mow on wet grass. Reduced traction could cause sliding.
- **Do not** try to stabilize the machine by putting your foot on the ground.

## Service

- Grass catcher components are subject to wear, damage, and deterioration, which could expose moving parts or allow objects to be thrown. Frequently check components and replace with manufacturer's recommended parts, when necessary.
- The operation of any mower can result in foreign objects thrown into the eyes, which can result in severe eye damage. Always wear safety glasses or eye shields while operating the mower or performing any adjustments or repairs. A wide vision safety mask over spectacles or standard safety glasses are recommended.
- Keep nuts and bolts, especially blade attachment bolts, tight and keep equipment in good condition.
- Never tamper with safety devices. Check regularly for proper operation.
- Keep machine free of grass, leaves, or other debris buildup. Clean oil or fuel spillage. Allow machine to cool before storing.
- Stop and inspect the equipment if you strike an object. Repair, if necessary, before restarting.
- Never make adjustments or repairs with the engine running.
- Mower blades are sharp and can cut. Wrap the blade(s) or wear gloves, and use extra caution when servicing them.
- Check brake operation frequently. Adjust and service as shown in the Operator Manual.

# ASSEMBLY

## TOOLS REQUIRED

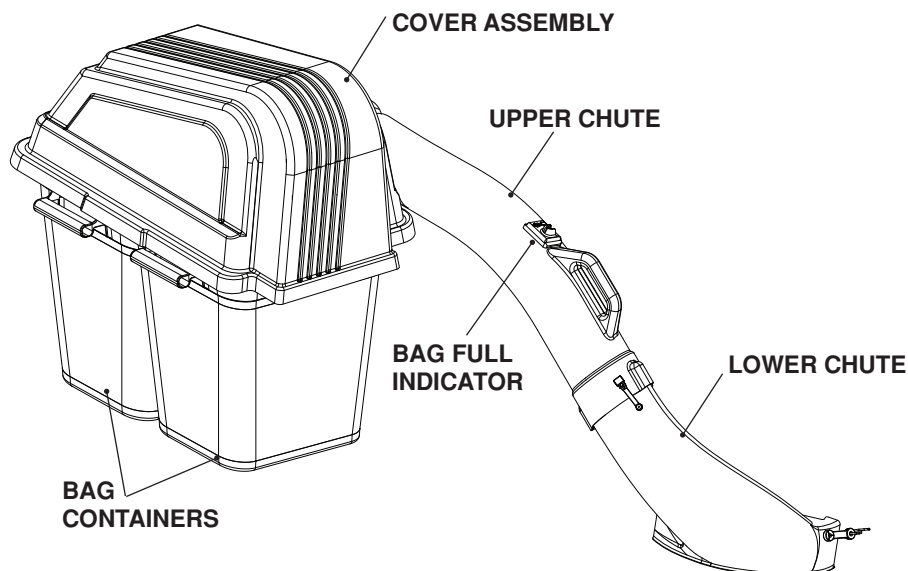
- Wrench 1/2" (2)
- Wrench 9/16" (2)
- Wrench 7/16" (2)
- Ft/Lbs Torque Wrench
- Drill
- Drill Bit 5/16"
- Socket and Ratchet 9/16"
- Standard Screwdriver

## CONTAINER CONTENTS

- Bagger Assembly
- Upper Chute
- Mounting Brackets
- Cover Assembly
- Lower Chute
- Bag of Hardware

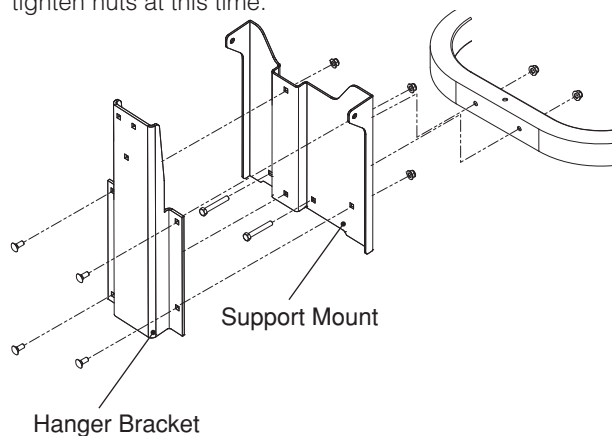
*NOTE: When the terms RH (right hand) or LH (left hand) are used, it refers to when the operator is seated on the mower.*

## PARTS IDENTIFICATION



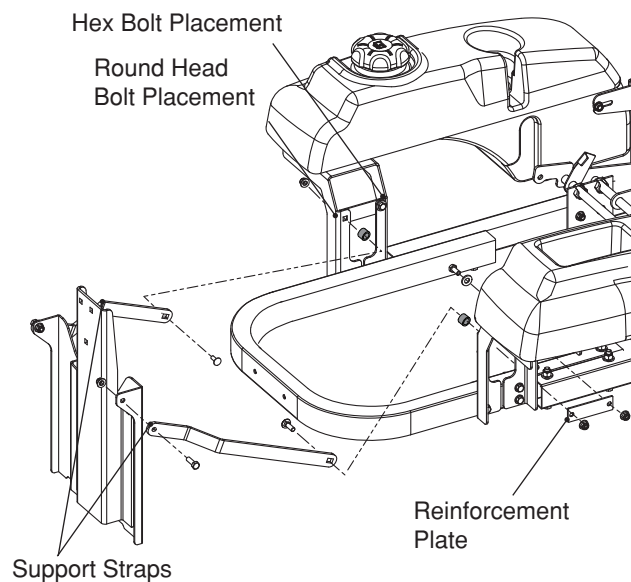
## INSTALL PLATE AND HANGER

1. Using hardware provided in kit, attach support mount to unit.
2. Attach hanger bracket to support mount. Do not fully tighten nuts at this time.



3. Secure the rear end of the support straps to the outside of the hanger assembly. Set the reinforcement plates to the outside of the tank brackets and fasten the front end of support strap to the tank bracket and the reinforcement plate with round head bolt. Attach the front end of reinforcement plate to the tank bracket with a hex bolt. Fully secure all mounting hardware. See illustration.

**NOTE:** Depending on model, rear guard hole may need to be drilled out to 5/16" if kit hardware is too large.

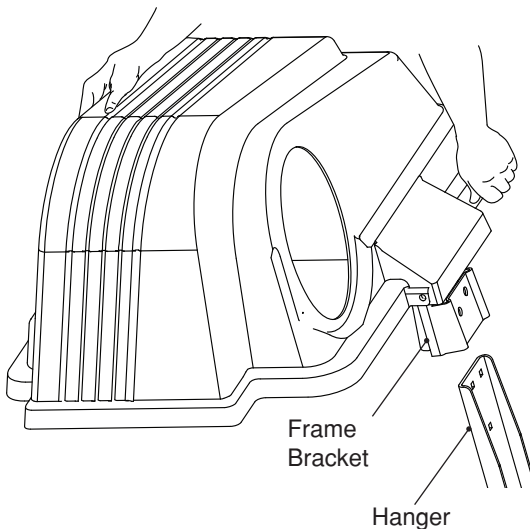


# ASSEMBLY

## MOUNTING COVER ASSEMBLY TO SUPPORT ASSEMBLY

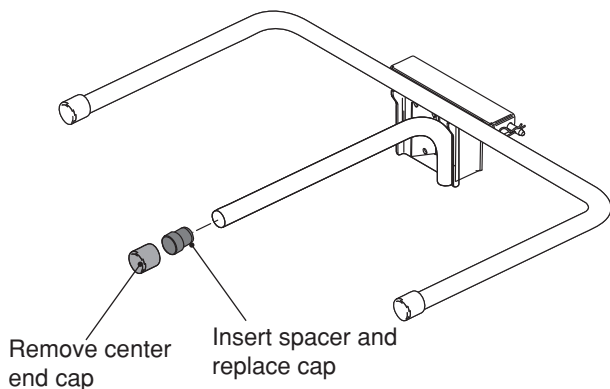
For ease of assembly, you may wish assistance from another person for mounting the cover assembly to mower.

1. Position cover assembly on the ground behind the mower.
2. Lift and rotate cover to align the frame bracket with the hanger and slide the cover down until secure.



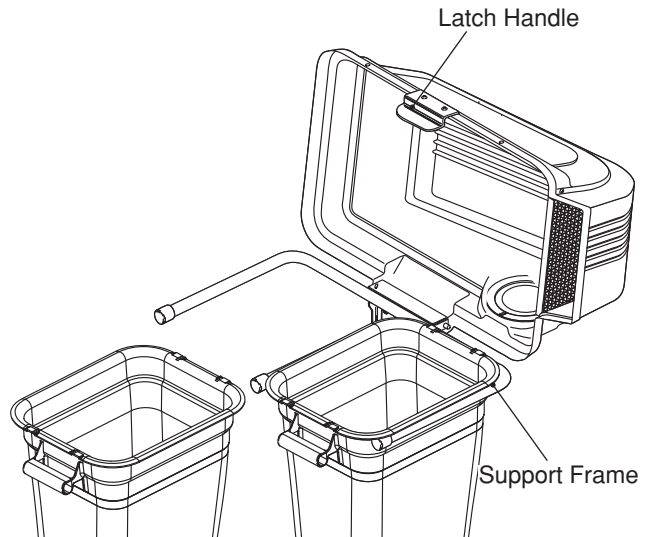
## INSTALLING SPACER PLUG

Remove plastic end cap from the center bag support arm. Fully insert spacer plugs into the ends of the support tube. It may be necessary to tap the spacer into place with a hammer or mallet. Replace the plastic end cap back over the spacer. The additional extension will hold the hood more securely when latched.



## CONTAINER INSTALLATION

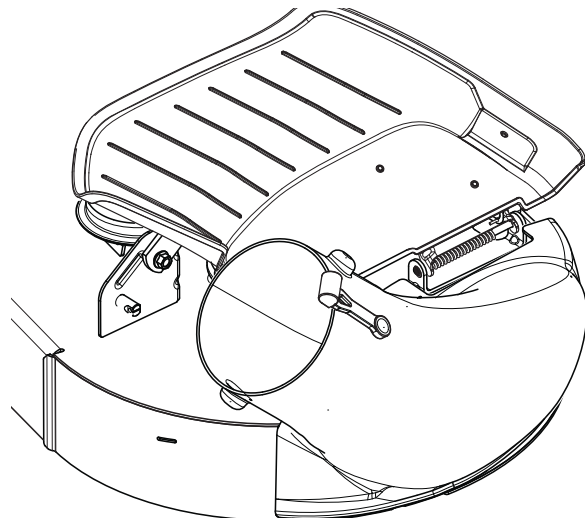
1. Install containers on support frame, overlapping containers at center tube.  
*NOTE: One container should always overlap the other container at the center tube.*
2. Close cover and lock latch handle over support tubes.



## LOWER CHUTE INSTALLATION

1. Raise and hold deflector shield in upright position.
2. Fit lower chute around the shield bracket.
3. With the lower chute in proper position, hold the chute securely and hook the lower chute latches to the mower deck.

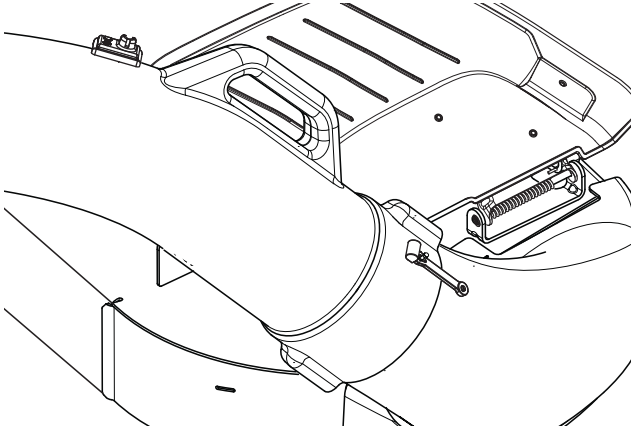
*NOTE: While hooking the latches, the deflector shield may try to push the chute away from the mower deck opening. It is important to hold the chute in position while hooking the latches to the mower deck.*



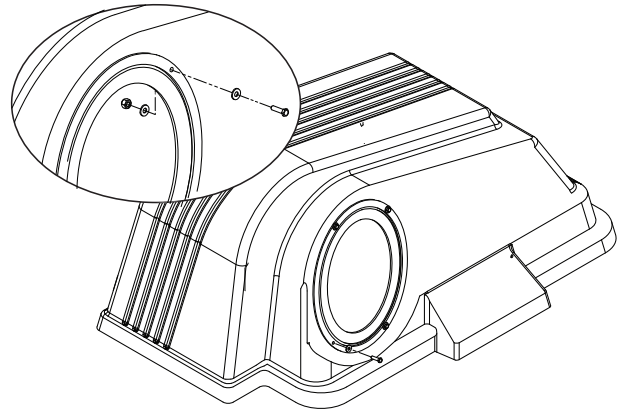
# ASSEMBLY

## UPPER CHUTE INSTALLATION

1. Slide upper chute onto lower chute, lining up notches and channels.
2. Stretch bungee latch up onto acorn nut on upper chute to secure.

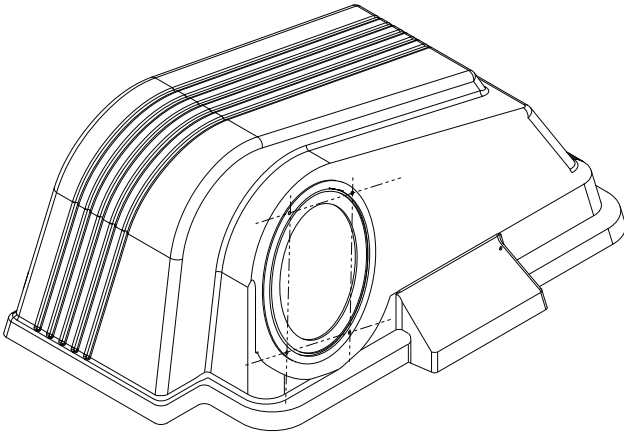


3. Locate the seal fastening kit (packaged separately). Install hardware using configuration shown before drilling the next hole. Repeat procedure with each remaining hole.



## HOOD SEAL INSTALLATION

1. Install the grommet into hood assembly, making sure grommet is seated correctly and securely. It is recommended to use a box pattern as shown when drilling holes.



2. While holding the grommet securely in place, drill one  $\frac{13}{64}$  (.203) diameter hole through the grommet and hood assembly at a distance of  $\frac{1}{4}$ " (.250) from the outside edge of the grommet. See illustration.

## CHUTE / HOOD INSTALLATION

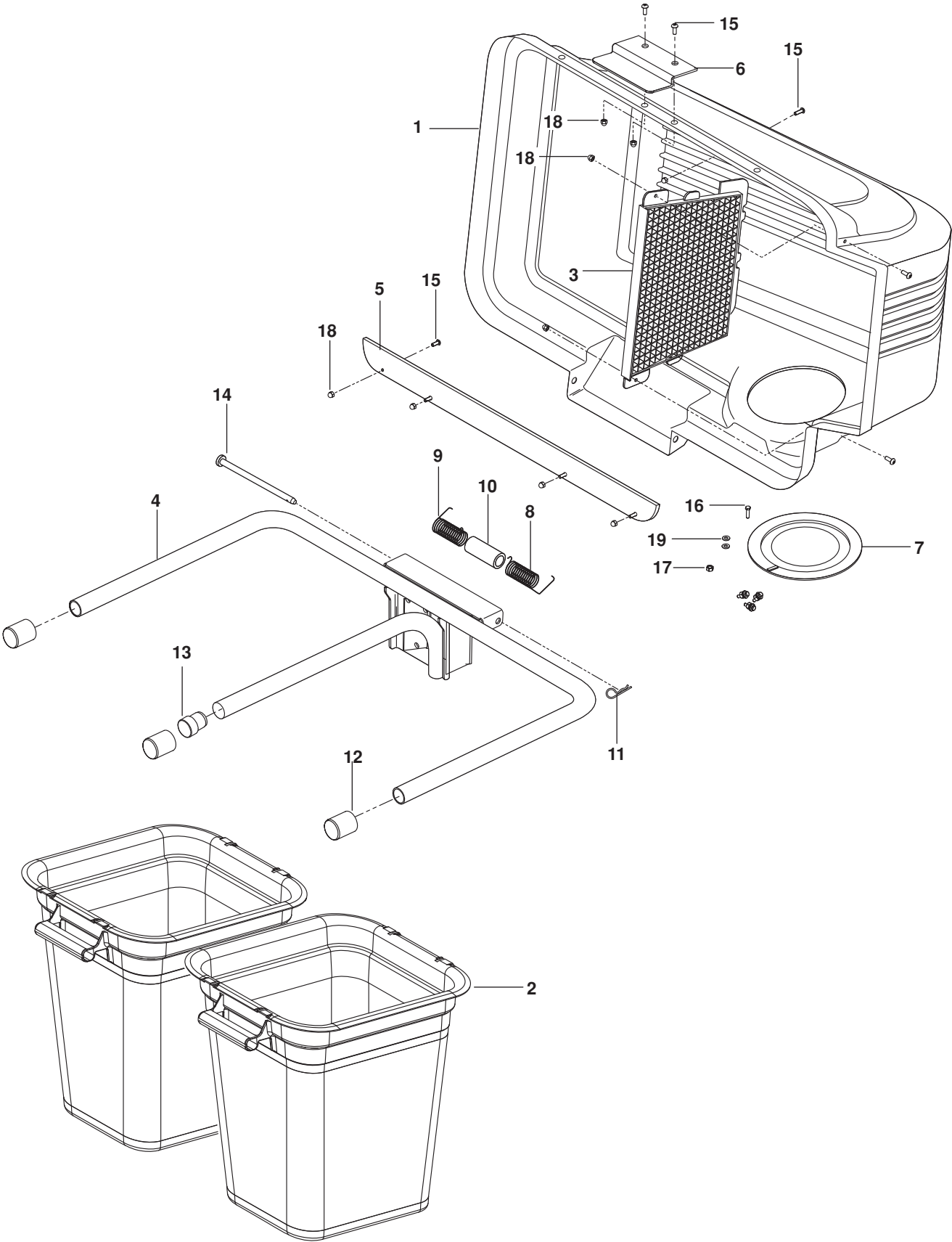
Push upper chute through the gasketed opening in the cover assembly.

## LEVELING MOWER DECK

Be sure deck is properly leveled for best mower performance. See the mower's operator manual for instructions.



# REPAIR PARTS





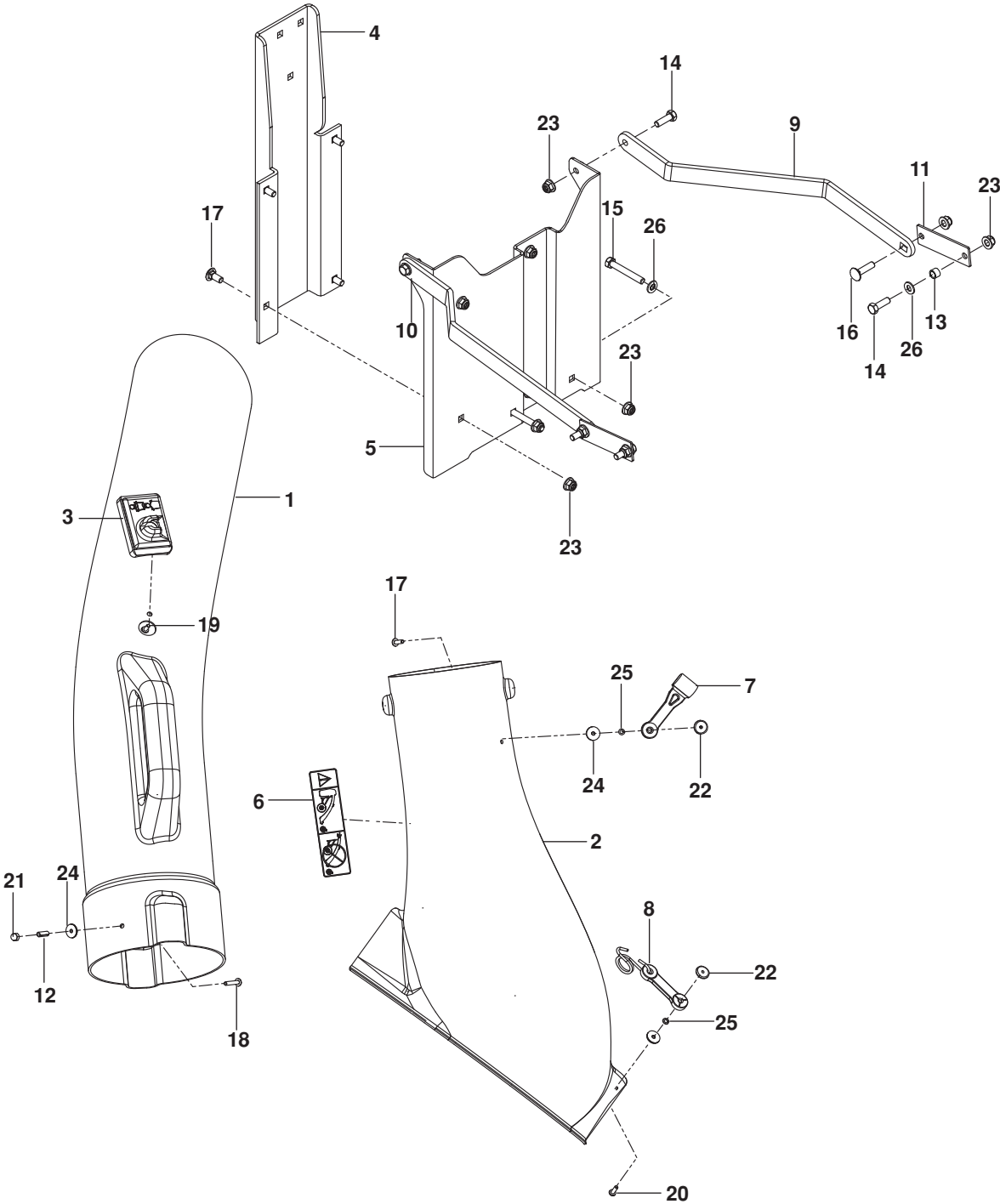
# REPAIR PARTS

---

ITEM	PART NO.	QTY.	DESCRIPTION	ITEM	PART NO.	QTY.	DESCRIPTION
1..	539 11 11-39.....	1	COVER ASSY, COMPLETE	11..	539 10 80-96.....	1	HAIRPIN, RETAINER
2..	532 40 02-26.....	2	CONTAINER, SOFT BAG	12..	539 10 80-97.....	3	CAP, TUBING END
3..	532 12 75-33.....	1	SCREEN, COVER	13..	522 80 13-01.....	1	SPACER PLUG
4..	532 17 97-46.....	1	FRAME, BAGGER	14..	532 19 27-86.....	1	PIN, HINGE
5..	532 15 50-42.....	1	STRIP, REINFORCEMENT	15..	871 08 10-10.....	9	SCREW #10-24 x 5/8
6..	532 13 08-95.....	1	LATCH HANDLE, COVER	16..	539 10 63-12.....	4	SCREW #10-24 x 3/4
7..	532 12 75-34.....	1	GASKET	17..	539 97 69-77.....	4	NUT #10-24 HEX NYLOC
8..	532 13 27-96.....	1	SPRING, COVER LH	18..	539 10 80-86.....	9	NUT #10-24 ACORN
9..	532 13 29-83.....	1	SPRING, COVER RH	19..	819 07 08-18.....	8	WASHER #10 FLAT
10..	532 13 32-35.....	1	SPACER, COVER				

NOTE: ALL FASTENERS ARE GRADE 5 UNLESS OTHERWISE SPECIFIED.

# REPAIR PARTS



# REPAIR PARTS

ITEM	PART NO.	QTY.	DESCRIPTION	ITEM	PART NO.	QTY.	DESCRIPTION
1..	587 04 47-01.....	1	CHUTE, UPPER	14..	874 78 05-16.....	4	BOLT $\frac{5}{16}$ -18 x 1
2..	587 04 49-01.....	1	CHUTE, LOWER	15..	874 78 05-36.....	2	BOLT $\frac{5}{16}$ -18 x 2 $\frac{1}{4}$
3..	539 10 80-82.....	1	INDICATOR, BAG DUMP	16..	539 10 04-72.....	2	BOLT RDHD SQNK $\frac{5}{16}$ -18 x 1 $\frac{1}{4}$
4..	522 85 47-02.....	1	BRACKET, HANGER	17..	872 14 05-06.....	4	BOLT RDHD SQNK $\frac{5}{16}$ -18 x $\frac{3}{4}$
5..	587 34 77-02.....	1	BRACKET, COLLECTION	18..	532 08 71-75.....	1	SCREW #10-24 x 1 $\frac{1}{8}$
6..	539 10 81-63.....	1	DECAL, CATCHER	19..	818 02 10-08.....	1	SCREW #10-14 x $\frac{1}{2}$
7..	539 10 81-94.....	2	LATCH ASSY, CHUTE	20..	871 08 10-10.....	3	SCREW #10-24 x $\frac{5}{8}$
8..	539 10 80-88.....	1	LATCH, HOOD	21..	539 10 80-86.....	1	NUT #10-24 ACORN
9..	587 34 79-02.....	1	STRAP, SUPPORT, RT	22..	539 10 80-89.....	3	NUT #10-24 WELD PLATED
10..	587 34 78-02.....	1	STRAP, SUPPORT, LT	23..	539 11 28-99.....	12	NUT $\frac{5}{16}$ -18 HEX FLG NYLOC
11..	523 11 28-02.....	2	PLATE	24..	539 10 80-84.....	4	WASHER $\frac{3}{16}$ x $\frac{3}{4}$ 16 GA
12..	539 10 80-85.....	1	SPACER, SPLIT	25..	539 10 95-52.....	3	WASHER $\frac{3}{16}$ LOCK
13..	579 61 33-01.....	1	SPACER	26..	819 11 11-16.....	6	WASHER $\frac{5}{16}$ SAE FLAT

NOTE: ALL FASTENERS ARE GRADE 5 UNLESS OTHERWISE SPECIFIED.

