

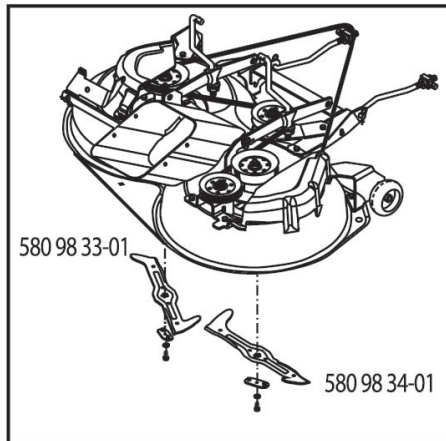
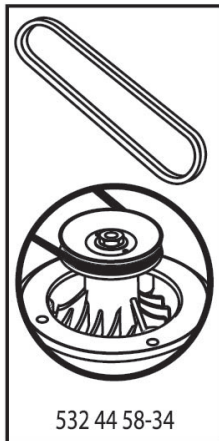
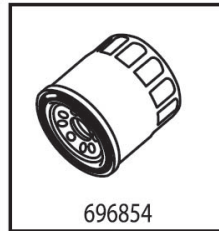
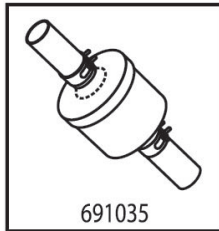
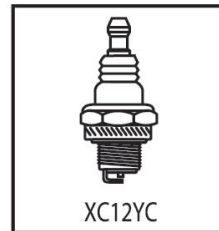
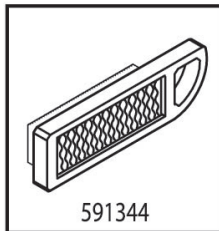
# ILLUSTRATED PARTS LIST

**MFG. ID NO. 96051015900**

**CUSTOMER CATALOG NO. TC 238**

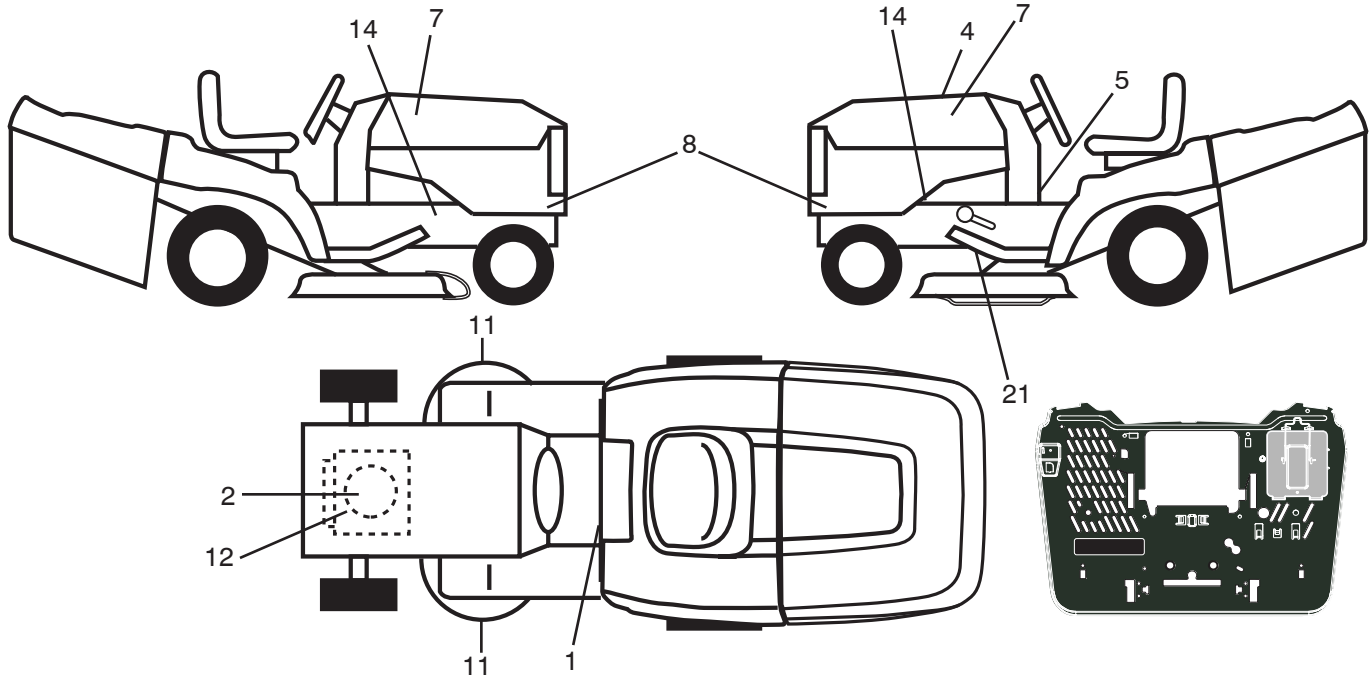
**PRODUCT NO. 960 51 01-59**

**47**



**588710101**

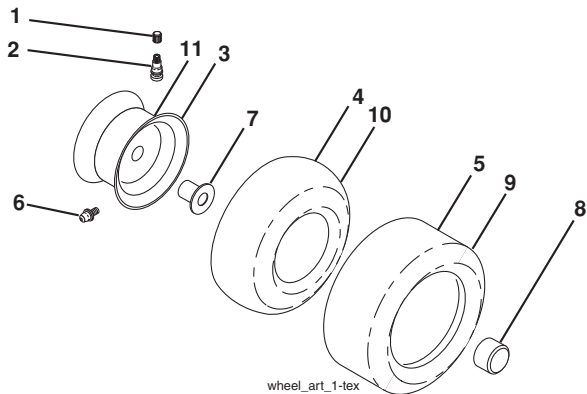
**TRACTOR - - MODEL NO. TC 238 (96051015900), PRODUCT NO. 960 51 01-59  
DECALS 27**



| KEY NO. | PART NO.     | DESCRIPTION                    |
|---------|--------------|--------------------------------|
| 1       | 586 34 95-01 | Decal, FNDR                    |
| 2       | 581 57 97-01 | Decal, Warning Eng. Sym.       |
| 4       | 588 71 01-01 | Decal, Replacement             |
| 5       | 581 57 84-01 | Decal, Mulch Bag Instructions  |
| 7       | 581 62 73-01 | Decal, Hood                    |
| 8       | 588 72 58-01 | Decal, Side Panel              |
| 11      | 581 57 91-01 | Decal, Mower Cut Finger Symbol |
| 12      | 586 00 05-01 | Decal, Engine B&S              |

| KEY NO. | PART NO.     | DESCRIPTION                 |
|---------|--------------|-----------------------------|
| 14      | 581 57 96-01 | Decal, Chassis Hot Muffler  |
| 21      | 532 44 11-89 | Decal, Belt Schematic       |
| --      | 532 44 54-93 | Decal, Warning Combined     |
| --      | 532 44 46-19 | Decal Bypass                |
| --      | 532 44 14-09 | Pad Footrest LH             |
| --      | 532 44 14-10 | Pad Footrest RH             |
| --      | 589 43 66-01 | Manual Operator's (English) |

**WHEELS AND TIRES**



| KEY NO. | PART NO.     | DESCRIPTION                       |
|---------|--------------|-----------------------------------|
| 1       | 532 05 91-92 | Cap Valve Tire                    |
| 2       | 532 06 51-39 | Stem Valve                        |
| 3       | 532 13 83-36 | Rim Front                         |
| 4       | 532 05 99-04 | Tube Front (Service Item Only)    |
| 5       | 532 10 62-22 | Tire Front 15 x 6-6               |
| 6       | 532 12 49-57 | Fitting Grease (Front Wheel Only) |
| 7       | 532 12 49-59 | Bearing Flange (Front Wheel Only) |
| 8       | 532 17 50-39 | Cap Axle Blk 1 50 x 1 00          |
| 9       | 532 42 05-31 | Tire Rear 18 x 9.5-8              |
| 10      | 532 12 49-26 | Tube Rear (Service Item Only)     |
| 11      | 532 13 83-37 | Rim Asm 8" Rear                   |
| --      | 532 14 43-34 | Sealant, Tire (10 oz. Tube)       |

**NOTE:** All component dimensions given in U.S. inches  
1 inch = 25.4 mm

# TRACTOR - - MODEL NO. TC 238 (96051015900), PRODUCT NO. 960 51 01-59 SCHEMATIC **38**

SCH31

## SMART IGNITION SWITCH (S.I.S.)

**NO USER SERVICEABLE PARTS INSIDE**

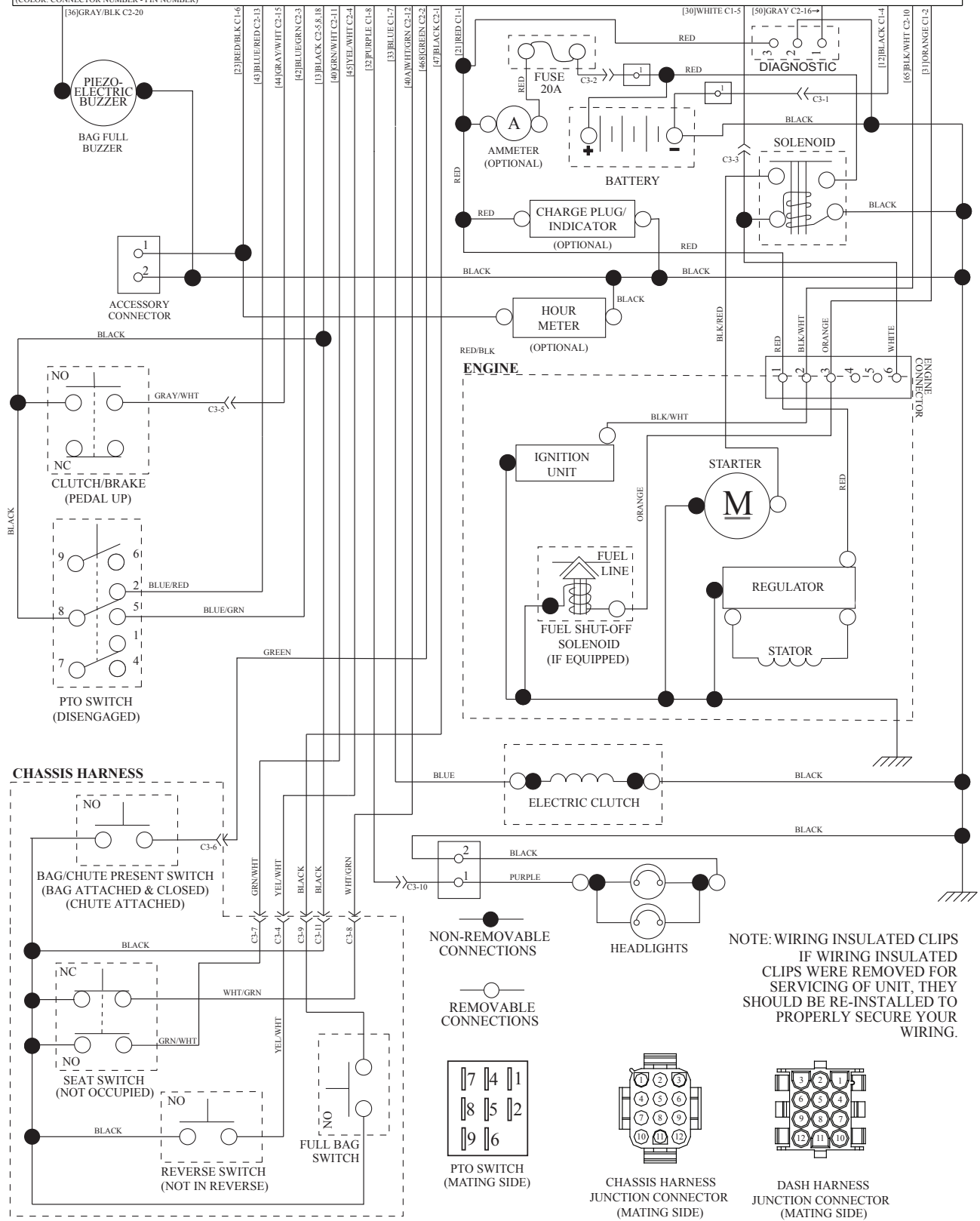
(COLOR: CONNECTOR NUMBER - PIN NUMBER)

**DO NOT OPEN!**  
**PERMANENT DAMAGE CAN RESULT**  
**IF PROPER DIAGNOSTIC PROCEDURES**  
**ARE NOT FOLLOWED.**  
**CONTACT YOUR DEALER OR AUTHORIZED**  
**SERVICE CENTER FOR REPAIR.**



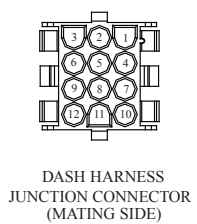
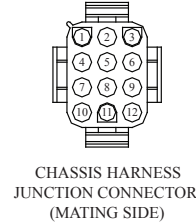
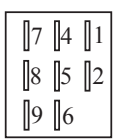
SENSITIVE ELECTRONIC COMPONENTS INSIDE!

**ATTENTION**  
 OBSERVE PRECAUTIONS  
 FOR HANDLING  
 ELECTROSTATIC  
 SENSITIVE DEVICES



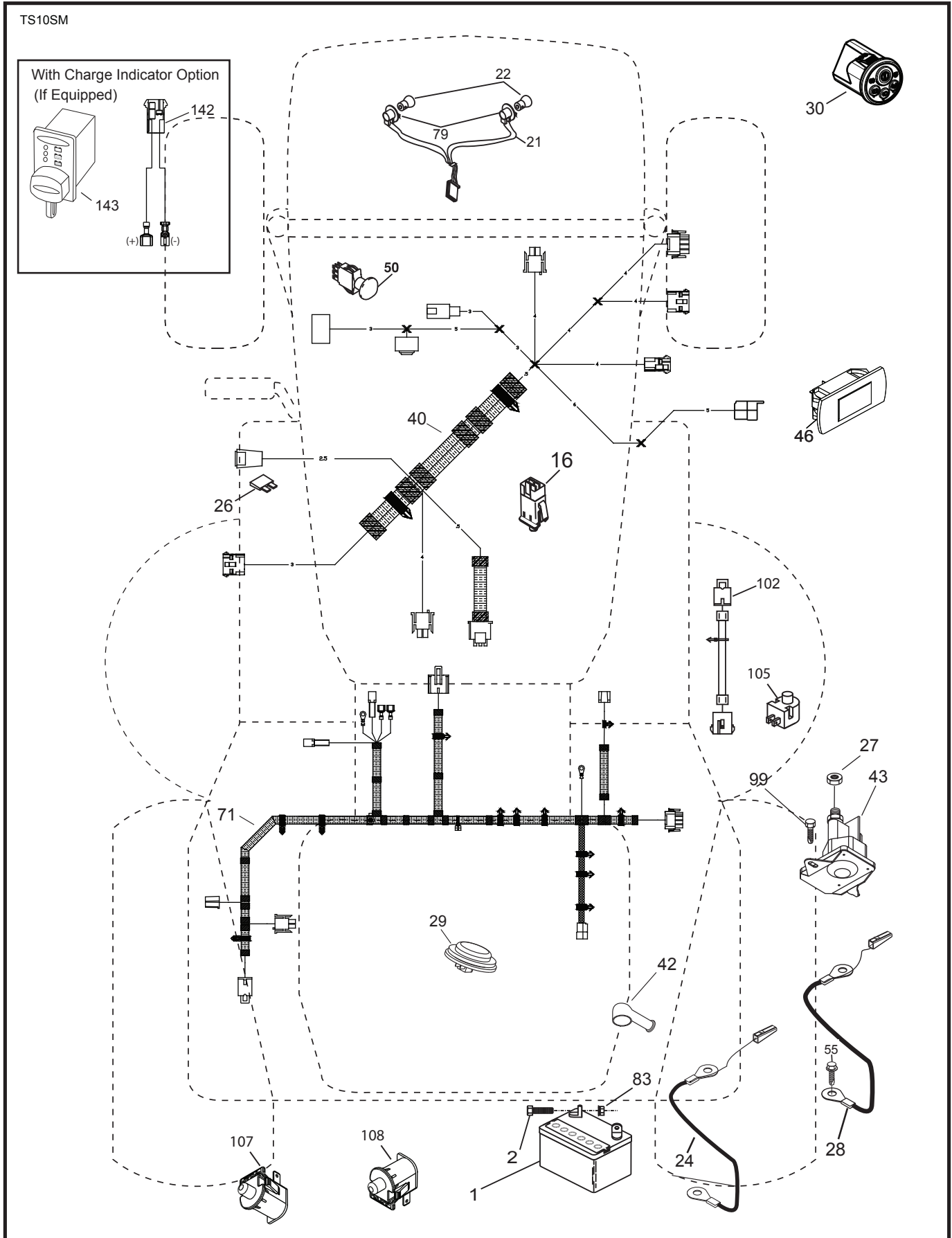
NON-REMOVABLE CONNECTIONS

REMOVABLE CONNECTIONS



NOTE: WIRING INSULATED CLIPS IF WIRING INSULATED CLIPS WERE REMOVED FOR SERVICING OF UNIT, THEY SHOULD BE RE-INSTALLED TO PROPERLY SECURE YOUR WIRING.

TRACTOR - - MODEL NO. TC 238 (96051015900), PRODUCT NO. 960 51 01-59  
ELECTRICAL **32**

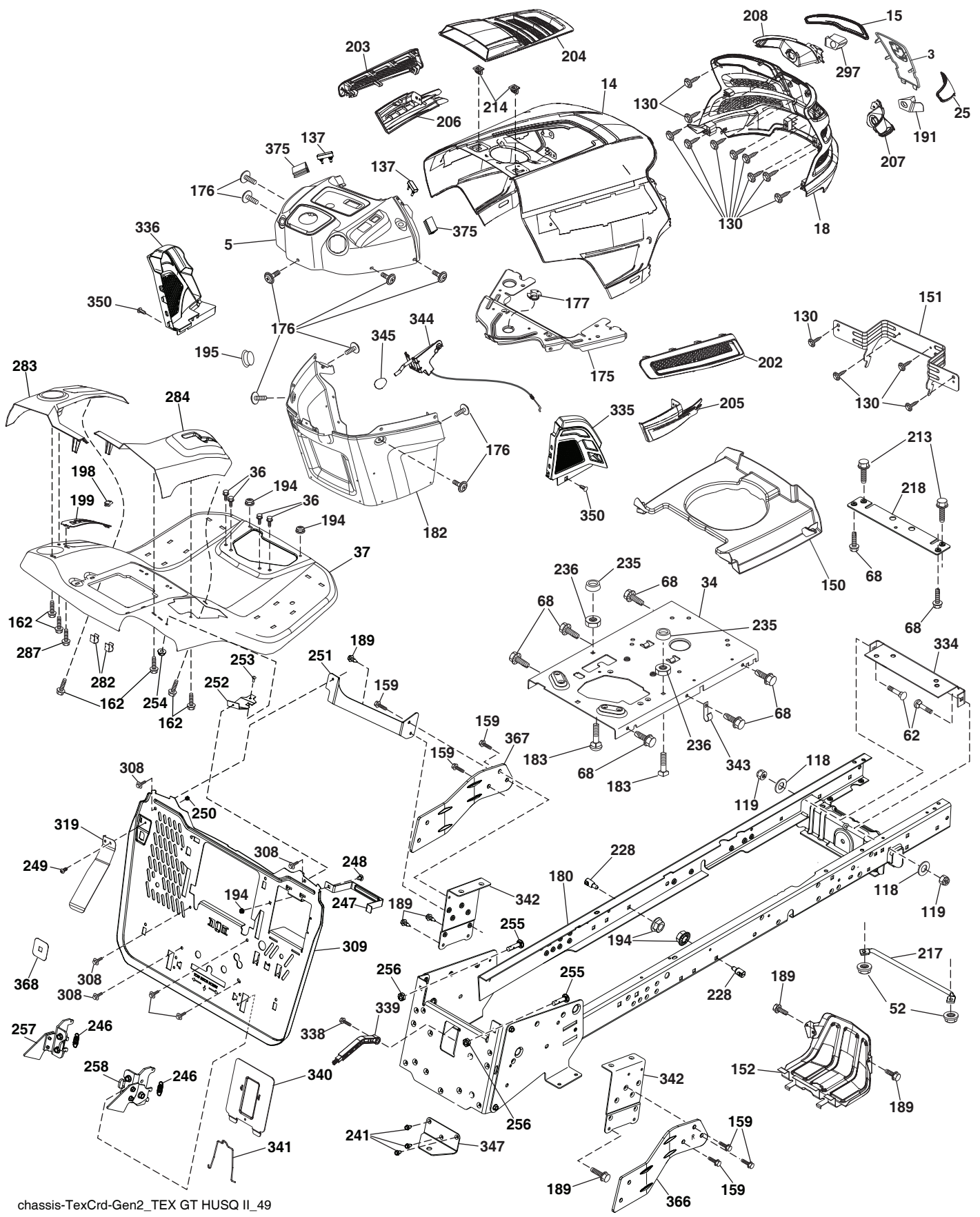


**TRACTOR - - MODEL NO. TC 238 (96051015900), PRODUCT NO. 960 51 01-59  
ELECTRICAL 32**

| <b>KEY NO.</b> | <b>PART NO.</b> | <b>DESCRIPTION</b>              |
|----------------|-----------------|---------------------------------|
| 1              | 532 43 71-57    | Battery                         |
| 2              | 532 44 09-23    | Screw Hex Hd Cap M6 x 1.12mm    |
| 16             | 532 17 61-38    | Switch Interlock Push-In        |
| 21             | 532 40 02-52    | Harness Light                   |
| 22             | 532 00 41-52    | Bulb Light                      |
| 24             | 589 44 30-01    | Cable Battery Positive          |
| 26             | 532 17 51-58    | Fuse                            |
| 27             | 873 51 04-00    | Nut Keps Hex 1/4-20 unc         |
| 28             | 589 44 31-01    | Cable, Ground                   |
| 29             | 581 42 93-02    | Switch, Seat                    |
| 30             | 586 83 67-03    | Switch, Ign Smart               |
| 40             | 585 21 68-01    | Harness Ign. Dash               |
| 42             | 532 13 15-63    | Cover Terminal Red              |
| 43             | 582 04 28-01    | Solenoid                        |
| 46             | 586 16 18-01    | Gauge Serviceminder Hrmtr       |
| 50             | 582 10 76-01    | Switch PTO                      |
| 55             | 817 06 05-12    | Screw Thdrol 5/16-18 x 3/4 TYTT |
| 71             | 585 21 66-01    | Harness Ignition Chassis        |
| 79             | 532 17 52-42    | Socket Asm. Bulb                |
| 83             | 532 43 67-74    | Nut Square M6 x 1.8.5 x 11mm    |
| 99             | 817 00 05-12    | Screw 5/16-18 x 3/4             |
| 102            | 532 44 12-62    | Harness Jumper                  |
| 105            | 532 40 75-68    | Switch Reverse                  |
| 107            | 532 18 03-79    | Switch Full Bagger              |
| 108            | 589 50 02-01    | Switch                          |

**NOTE:** All component dimensions given in U.S. inches  
1 inch = 25.4 mm

**TRACTOR - - MODEL NO. TC 238 (96051015900), PRODUCT NO. 960 51 01-59**  
**CHASSIS AND ENCLOSURES 39**



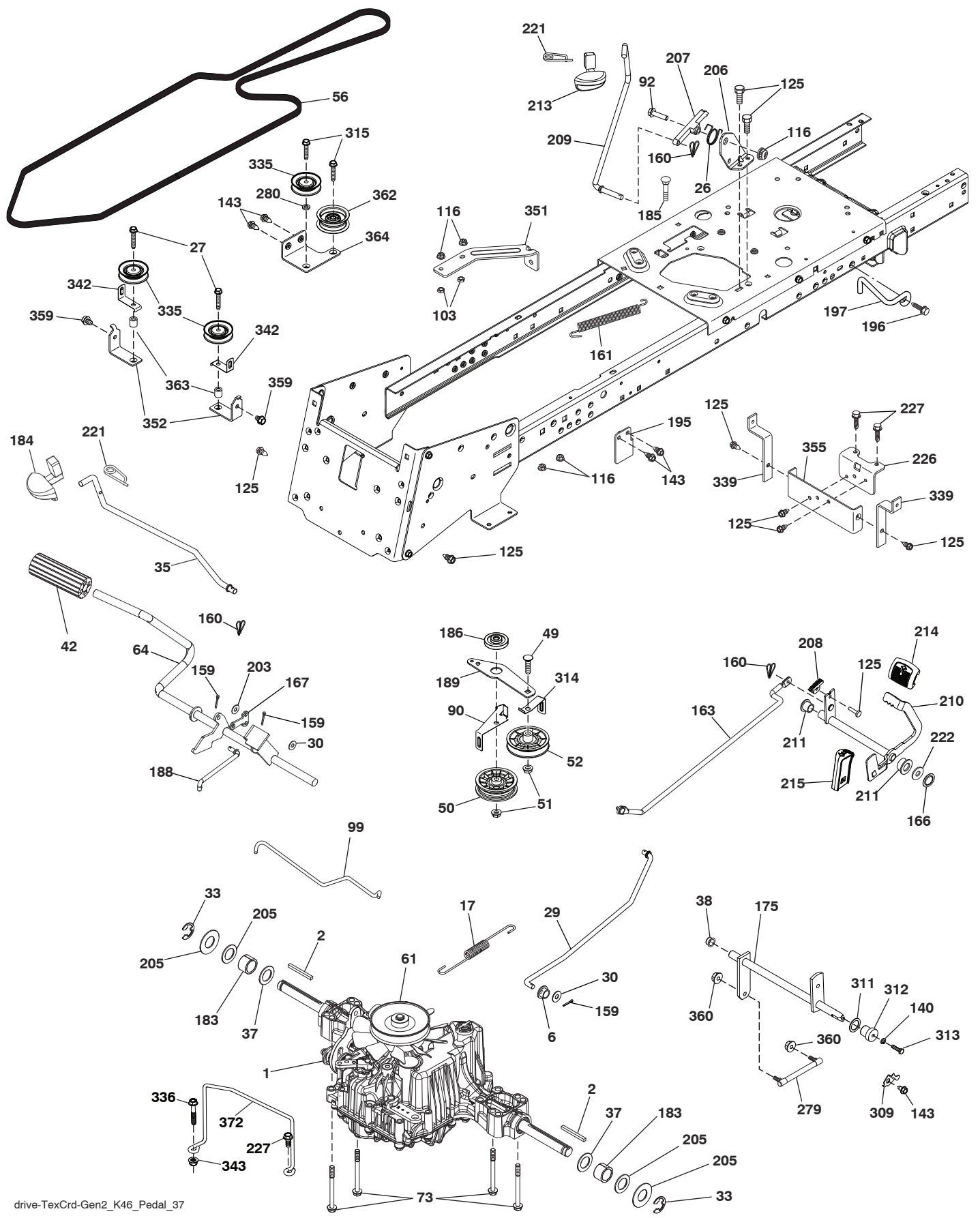
chassis-TeXCrd-Gen2\_TEX GT HUSQ II\_49

**TRACTOR - - MODEL NO. TC 238 (96051015900), PRODUCT NO. 960 51 01-59  
CHASSIS AND ENCLOSURES 39**

| KEY<br>NO. | PART<br>NO.  | DESCRIPTION                      | KEY<br>NO. | PART<br>NO.  | DESCRIPTION  |
|------------|--------------|----------------------------------|------------|--------------|--|
| 3          | 532 44 44-81 | Applique                         | 256        | 532 19 70-33 | Nut Jam 3/8-16   |
| 5          | 581 46 68-03 | Dash                             | 257        | 589 74 66-02 | Bagger Latch Assembly LH   |
| 14         | 532 44 11-77 | Hood                             | 258        | 589 74 67-02 | Bagger Latch Assembly RH   |
| 15         | 532 43 97-33 | Lens LH                          | 282        | 532 41 41-10 | Clip Retainer  |
| 18         | 532 44 06-53 | Grille                           | 283        | 532 44 72-12 | Console Deck Lift LH   |
| 25         | 532 44 33-85 | Lens RH                          | 284        | 532 44 72-20 | Console Shft RH  |
| 34         | 580 91 09-01 | Plate Engine                     | 287        | 817 60 04-06 | Screw 1/4-20 x 3/8   |
| 36         | 817 06 05-12 | Screw 5/16-18 x 3/4              | 297        | 532 43 74-56 | Insert Reflective LH   |
| 37         | 532 44 14-19 | Fender                           | 308        | 532 17 18-77 | Bolt 5/16-18 unc x 3/4   |
| 52         | 873 68 05-00 | Nut Lock 5/16-18                 | 309        | 582 55 25-02 | Backplate  |
| 62         | 872 11 06-08 | Bolt RdHd Sqnk 3/8-16 x 1 Gr. 5  | 319        | 581 31 39-07 | Lever Bag  |
| 68         | 817 49 05-08 | Screw Thdrol 5/16-18 x 1/2       | 334        | 532 44 25-37 | Bracket Engine   |
| 118        | 819 13 13-16 | Washer 13/32 x 13/16 x 16 Ga.    | 335        | 532 44 82-04 | Cover RH Lower Close Out   |
| 119        | 873 68 06-00 | Nut Crownlock 3/8-16 unc         | 336        | 532 44 53-09 | Cover LH Lower Close Out   |
| 130        | 532 41 63-58 | Screw #10 x 0.750                | 338        | 532 43 66-40 | Bolt Shoulder  |
| 137        | 532 40 75-90 | Bumper Dash                      | 339        | 532 43 66-41 | Lever Bagger Full  |
| 150        | 532 43 97-74 | Air Duct                         | 340        | 582 55 27-02 | Door Battery   |
| 151        | 532 43 66-70 | Bracket Pivot                    | 341        | 582 06 08-01 | Latch Battery Door   |
| 152        | 532 43 98-70 | Shield Browning                  | 342        | 532 43 59-38 | Supprt Fender  |
| 159        | 817 00 06-12 | Screw Hexwsh Thrd 3/8-16 x 3/4   | 343        | 532 44 07-49 | Clip   |
| 162        | 532 14 24-32 | Screw                            | 344        | 532 43 89-70 | Control EZ Mulch   |
| 175        | 532 19 63-04 | Crossmember                      | 345        | 532 44 06-39 | Knob   |
| 176        | 532 40 07-76 | Screw 10-24 x 5/8                | 347        | 532 44 28-87 | Hitch Tow  |
| 177        | 532 19 52-28 | Bushing Steering                 | 350        | 532 44 51-43 | Clip X-Mas Tree  |
| 180        | 583 90 27-01 | Chassis                          | 366        | 581 31 46-02 | Bracket RH Front Bagger  |
| 182        | 532 43 89-67 | Dash Lower                       | 367        | 581 31 45-02 | Bracket LH Front Bagger  |
| 183        | 874 52 05-20 | Bolt 5/16-18 x 1-1/4             | 368        | 581 42 48-01 | Full Lever Shroud  |
| 189        | 817 00 05-12 | Screw 5/16-18 x 3/4              | 375        | 586 90 82-01 | Dash Clip-On Bumper  |
| 191        | 532 43 74-55 | Insert Reflective RH             | --         | 586 29 76-01 | Plug Switch  |
| 194        | 873 90 05-00 | Nut Lock Hex Flange 5/16-18      | --         | 532 40 09-44 | Bumper   |
| 195        | 532 40 41-37 | Plug Hole Dash Lower             | --         | 589 45 39-01 | Kit ID Box –This kit includes<br>Battery Hardware (532 44 09-<br>23 Screw Hex Head Cap M6 x<br>1.2mm), 532 43 67-74 Nut Square<br>M6 x 1.8.5 x 11mm; refer to pages<br>4 & 5 in this IPL, Chassis Parts/<br>Hardware (532 44 28-87 Tow<br>Hitch), (532 43 66-41 Bagger Full<br>Lever); refer to pages 6 & 7 in this<br>IPL, Bagger Parts/Hardware (582<br>36 48-01 Bagger Latch), Bagger<br>Presence Lever/Hardware (581<br>31 39-06 Bagger Presence lever),<br>(586 93 60-01 Screw Buttonhead<br>10-24 x 1/2), (539 97 69-77 Nut<br>Hex 10-24), (817 00 06-12 Screw<br>Hexwsh Trdr 3/8-16 x 3/4), (872<br>11 06-08 Bolt Rdhd Sqnk 3/8-16<br>x 1 Gr. 5), (873 80 06-00 Nut Lock<br>3/8-16 unc); refer to pages 18 &<br>19 in this IPL. |
| 198        | 532 44 15-52 | Indicator Deck Lift              |            |              |  |
| 199        | 532 41 87-39 | Plate Deck Lift                  |            |              |  |
| 202        | 532 43 97-28 | Vent Side Hood RH                |            |              |  |
| 203        | 532 43 97-27 | Vent Side Hood LH                |            |              |  |
| 204        | 532 43 57-14 | Vent Top Hood                    |            |              |  |
| 205        | 532 43 97-30 | Trim Hood Side RH                |            |              |  |
| 206        | 532 43 97-29 | Trim Hood Side LH                |            |              |  |
| 207        | 532 43 97-34 | Bezel RH                         |            |              |  |
| 208        | 532 43 97-35 | Bezel LH                         |            |              |  |
| 213        | 874 76 05-12 | Bolt 5/16-18 x 3/4               |            |              |  |
| 214        | 532 19 91-45 | Clip Retainer Tinner             |            |              |  |
| 217        | 532 40 91-67 | Rod Pivot                        |            |              |  |
| 218        | 532 19 63-95 | X-Piece Hood Stop                |            |              |  |
| 228        | 532 19 51-61 | Stud Fastner                     |            |              |  |
| 235        | 532 40 61-29 | Spacer Fender                    |            |              |  |
| 236        | 873 93 05-00 | Nut Lock 5/16-18 unc             |            |              |  |
| 241        | 817 06 05-16 | Screw 5/16-18 x 1                |            |              |  |
| 246        | 582 05 20-01 | Spring                           |            |              |  |
| 247        | 582 55 26-02 | Strap Battery                    |            |              |  |
| 248        | 872 11 05-04 | Bolt Carr. 5/16-unc x 1/2        |            |              |  |
| 249        | 586 93 60-01 | Screw Buttonhead 10-24 x 1/2     |            |              |  |
| 250        | 539 97 69-77 | Nut #10-24 Hex Nylon Ring        |            |              |  |
| 251        | 589 31 89-04 | Backplate Support Bracket        |            |              |  |
| 252        | 581 99 22-04 | Backplate Support Bracket        |            |              |  |
| 253        | 872 11 04-06 | Bolt Carr.                       |            |              |  |
| 254        | 873 90 04-00 | Nut Hex Flange 1/4-20 unc        |            |              |  |
| 255        | 589 39 22-01 | Bolt Cross Drilled 3.8/16 x 1.75 |            |              |  |

**NOTE:** All component dimensions given in U.S. inches  
1 inch = 25.4 mm

TRACTOR - - MODEL NO. TC 238 (96051015900), PRODUCT NO. 960 51 01-59  
 DRIVE **40**



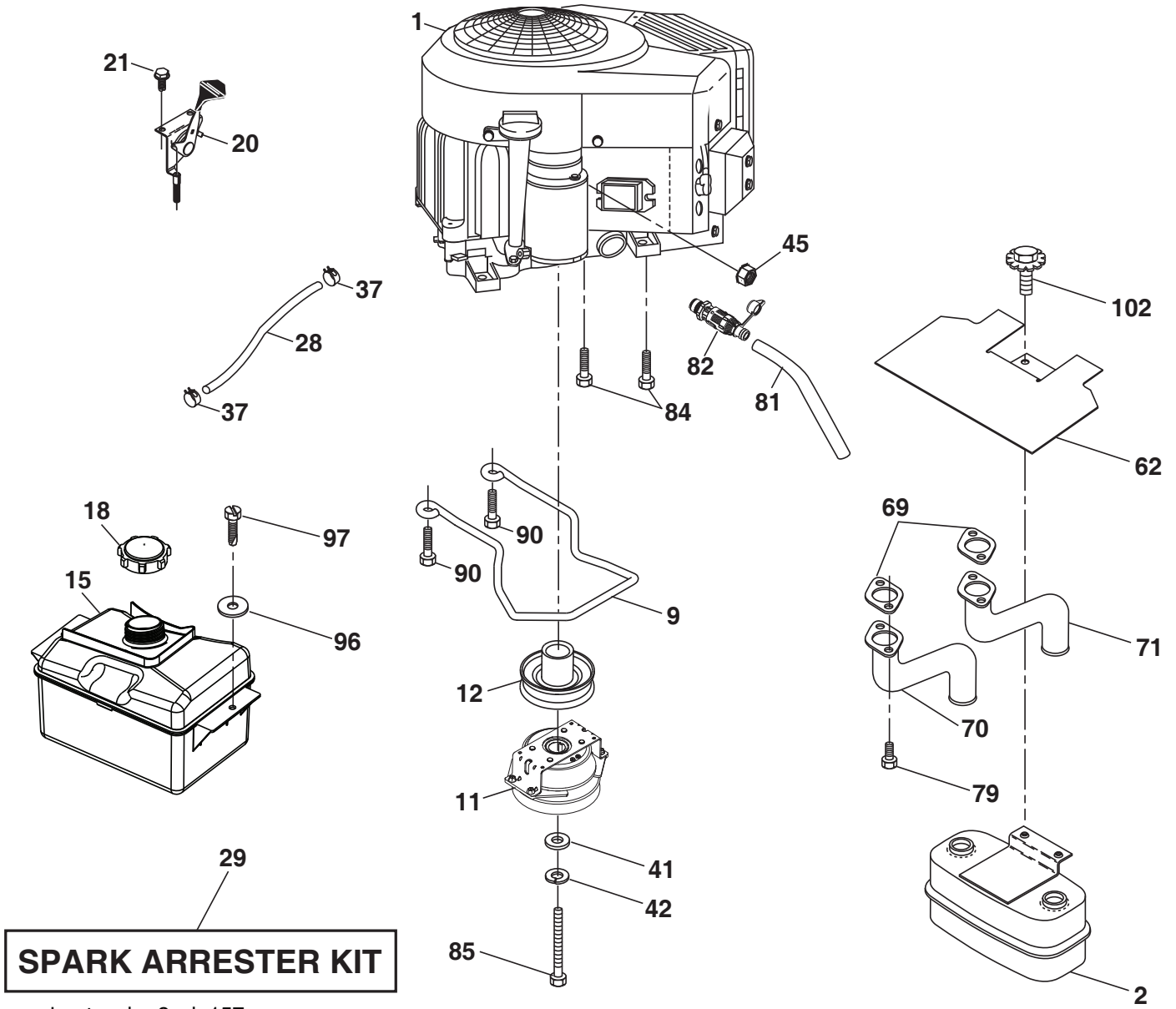
drive-TeXOrd-Gen2\_K46\_Pedal\_37



**TRACTOR - - MODEL NO. TC 238 (96051015900), PRODUCT NO. 960 51 01-59  
DRIVE **40****

| KEY NO. | PART NO.     | DESCRIPTION  | KEY NO. | PART NO.     | DESCRIPTION                       |
|---------|--------------|--|---------|--------------|-----------------------------------|
| 1       | ---          | Transaxle, Tufftorq K46DF (446488) (Order parts from trans-axle manufacturer.) | 197     | 585 65 86-01 | Link Clutch Anti-Rotation         |
| 2       | 532 12 35-83 | Key Square   | 203     | 819 11 11-16 | Washer 11/32 x 11/16 x 16 Ga.     |
| 6       | 532 12 40-28 | Bushing Snap   | 205     | 532 12 17-48 | Washer 25/32 x 1-5/8 x 16 Ga.     |
| 17      | 532 43 62-27 | Spring Brake K46   | 206     | 532 44 85-96 | Bracket Mount Latch Cruise        |
| 26      | 532 19 96-79 | Spring Return Cruise   | 207     | 587 03 14-01 | Latch Control Cruise              |
| 27      | 817 49 05-28 | Screw Hexwsh Thd 5/16-18 x 1-3/4   | 208     | 532 19 78-69 | Gear Sector Control Cruise        |
| 29      | 532 44 27-95 | Rod, Brake   | 209     | 532 19 95-92 | Rod Control Cruise                |
| 30      | 819 13 16-16 | Washer   | 210     | 532 40 09-80 | Rocker Asm. Pedal Control         |
| 33      | 812 00 00-01 | Ring E   | 211     | 532 12 01-83 | Bearing Nylon                     |
| 35      | 583 86 45-01 | Rod, Brake, Park   | 213     | 532 40 31-19 | Knob Control Cruise               |
| 37      | 532 18 89-67 | Washer Harden .793 x 1.063 x .060  | 214     | 532 42 12-63 | Pedal Forward                     |
| 38      | 532 16 96-13 | Nyliner Bushing  | 215     | 586 60 65-02 | Pedal Reverse                     |
| 42      | 532 12 48-72 | Cover, Foot Pedal  | 221     | 532 40 31-87 | Retainer Spring Clip Handle       |
| 49      | 872 11 06-14 | Bolt Rdhd 3/8-16 unc x 3/4 Gr. 5   | 222     | 879 21 20-10 | Washer 21/32 x 1-1/4 10 Ga.       |
| 50      | 532 19 43-27 | Idler Flat   | 226     | 532 40 15-64 | Bracket Strap Torque              |
| 51      | 873 90 06-00 | Lock Nut 3/8-16  | 227     | 817 49 05-12 | Screw                             |
| 52      | 532 19 43-26 | Idler V-Groove   | 279     | 532 44 42-83 | Link Shift                        |
| 56      | 532 44 27-81 | V-Belt, Drive  | 280     | 819 11 10-12 | Washer 11/32 x 5/8 x 12 Ga.       |
| 61      | 532 44 51-51 | Pulley Transaxle K46   | 309     | 532 16 55-81 | Plate Fstnr Cross Shf             |
| 64      | 532 19 78-65 | Shaft Asm. Pedal Brake Control   | 311     | 532 16 98-45 | Washer Nylon                      |
| 73      | 874 49 05-44 | Bolt Flanged   | 312     | 532 16 56-14 | Hub Tapered                       |
| 90      | 532 44 36-05 | Keeper Belt Clutching  | 313     | 874 78 04-16 | Bolt Hex Fin 1/4-20 unc x 1 Gr. 5 |
| 92      | 874 76 05-20 | Bolt Fin Hex 5/16-18 unc x 1.25  | 314     | 532 44 47-13 | Keeper Belt                       |
| 99      | 532 44 39-47 | Rod Spring Bypass  | 315     | 817 58 05-20 | Screw Thdrol 5/16-18 x 4.25       |
| 103     | 873 35 05-00 | Nut Hex Jam 5/16-18  | 335     | 532 19 95-34 | Pulley V-Idler                    |
| 116     | 873 90 05-00 | Nut Lock Hex Flange 5/16-18  | 336     | 587 25 96-01 | Bolt 5/16-18 x 1-3/4 Flanged hex  |
| 125     | 817 00 05-12 | Screw 5/16-18 x 3/4  | 339     | 532 43 68-67 | Strap Torque K46 CRD Tex          |
| 140     | 810 04 04-00 | Washer Lock Hvy Helical 1/4  | 342     | 532 18 26-82 | Keeper Belt 2.5" STL V-Idlr CRD   |
| 143     | 817 49 05-08 | Screw 5/16-18 x 1/2  | 343     | 539 11 28-99 | Nut 5/16-18 Hex Flanged Nyloc     |
| 159     | 876 02 04-12 | Pin Cotter 1/8 x 3/4   | 351     | 532 43 69-98 | Bracket 97 CRD Deck Sway          |
| 160     | 532 16 94-84 | Retainer Clip  | 352     | 532 43 56-45 | Bracket Idler CRD Tex             |
| 161     | 532 10 57-09 | Spring, Return, Clutch   | 355     | 532 43 56-69 | Strap Torque                      |
| 163     | 532 44 27-93 | Rod Control  | 359     | 817 49 06-10 | Screw Thdrol 3/8-16 x 5/8         |
| 166     | 532 42 91-64 | Nut Push   | 360     | 532 44 47-14 | Nut 5/16-24 unf                   |
| 167     | 532 40 52-57 | Latch Brake Parking  | 362     | 532 43 68-12 | Idler Flat                        |
| 175     | 532 42 93-59 | Shaft Asm Crossshift Rear CRD  | 363     | 532 44 27-80 | Spacer .343 x .63 x .62           |
| 183     | 532 13 70-57 | Spacer Axle  | 364     | 532 44 30-32 | Bracket Idler CRD Tex             |
| 184     | 587 65 37-01 | Handle Parking Brake   | 372     | 582 65 49-01 | Keeper Belt Transaxle             |
| 185     | 872 11 06-22 | Bolt 3/8-16 unc x 2-3/4 Gr. 5  |         |              |                                   |
| 186     | 532 19 43-21 | Spacer Retainer  |         |              |                                   |
| 188     | 532 19 43-23 | Link Clutch  |         |              |                                   |
| 189     | 532 43 36-11 | Bellcrank Ground Drive   |         |              |                                   |
| 195     | 580 45 69-01 | Bracket Rod Brake CRD Tex  |         |              |                                   |
| 196     | 817 00 06-16 | Screw 3/8-16 x 1 SMGML Tap/R Bk  |         |              |                                   |

**NOTE:** All component dimensions given in U.S. inches  
1 inch = 25.4 mm



**TRACTOR - - MODEL NO. TC 238 (96051015900), PRODUCT NO. 960 51 01-59  
ENGINE 24**

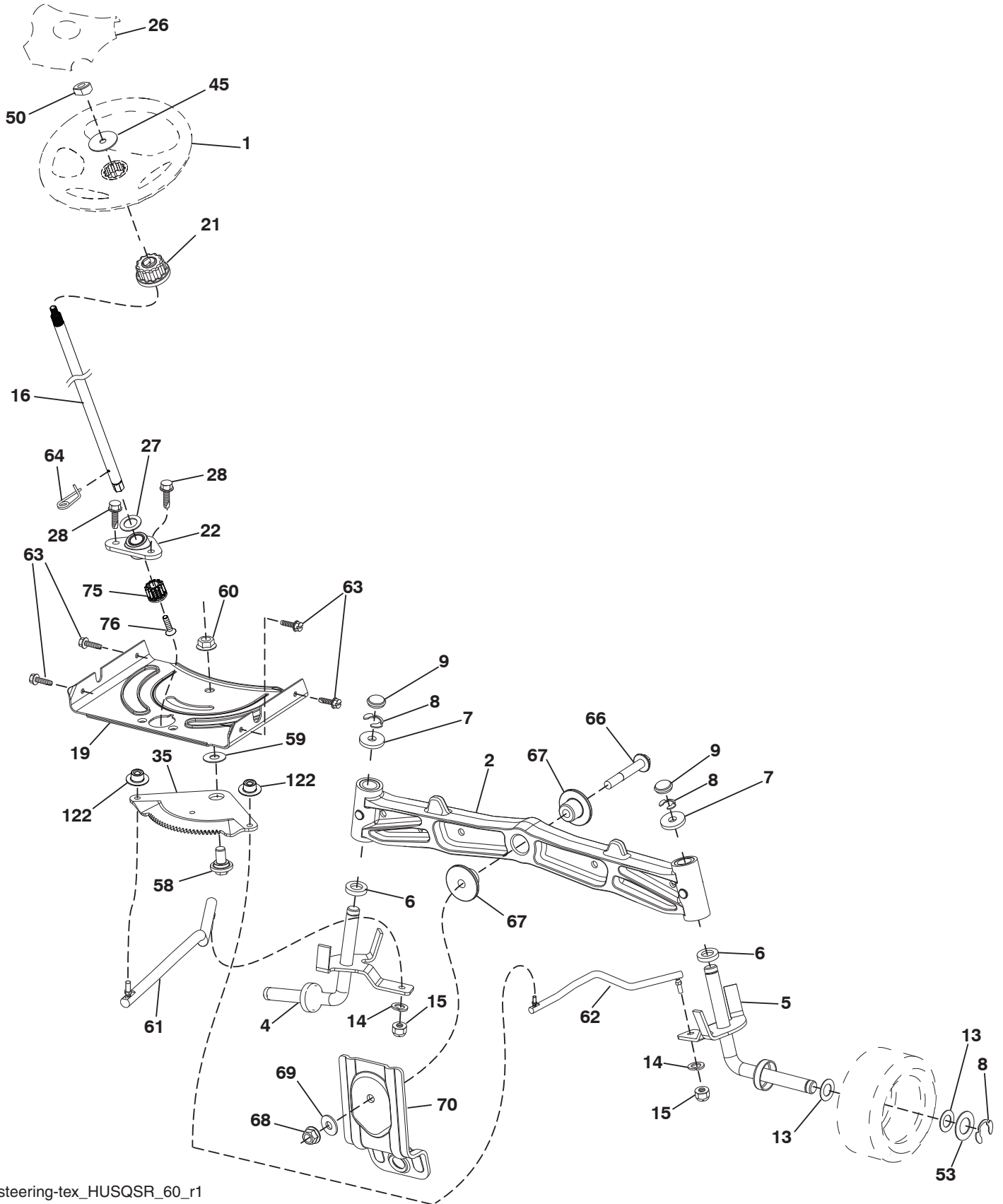
| KEY<br>NO. | PART<br>NO.  | DESCRIPTION   |
|------------|--------------|---|
| 1          | - - - - -    | Engine B&S Model No. 40N877-0016-G1<br>(501258601) (Order parts from engine<br>manufacturer.) |
| 2          | 532 44 59-62 | Muffler   |
| 9          | 501 83 26-02 | Keeper Belt Engine  |
| 11         | 587 24 16-01 | Clutch Electric   |
| 12         | 532 40 50-97 | Pulley Engine   |
| 15         | 581 29 01-01 | Tank Fuel   |
| 18         | 532 43 02-20 | Fuel Cap  |
| 20         | 587 24 25-01 | Control Throttle  |
| 21         | 532 41 63-58 | Screw #10 x 0.750   |
| 28         | 532 13 70-40 | Fuel Line   |
| 29         | 532 13 71-80 | Spark Arrester Kit  |
| 37         | 532 12 34-87 | Clamp Hose  |
| 41         | 532 12 61-97 | Washer 1-1/2 OD x 15/32 ID x .250   |
| 42         | 810 04 07-00 | Washer Lock 7/16  |
| 45         | 873 51 04-00 | Nut Keps Hex 1/4-20 unc   |
| 62         | 532 43 40-17 | Shield Heat Muffler   |
| 69         | 532 16 53-91 | Gasket  |
| 70         | 581 88 11-01 | Tube Exhaust LH   |
| 71         | 581 88 10-01 | Tube Exhaust RH   |
| 79         | 532 18 39-06 | Screw Socket  |
| 81         | 532 14 84-56 | Tube Drain Oil Easy   |
| 82         | 532 42 82-87 | Valve Oil Drain   |
| 84         | 817 06 06-20 | Screw   |
| 85         | 501 60 66-01 | Bolt Hex 7/16-20 x 3.75 Gr. 5   |
| 90         | 817 00 06-16 | Screw 3/8-16 x 1  |
| 96         | 819 09 14-16 | Washer 9/32 x 7/8 x 16 Ga.  |
| 97         | 817 67 04-12 | Screw 1/4-20 x 3/4  |
| 102        | 817 00 05-12 | Screw 5/16-18 x 3/4   |

**NOTE:** All component dimensions given in U.S. inches  
1 inch = 25.4 mm

**Engine Power Rating Information**

The gross power rating for individual gas engine models is labeled in accordance with SAE (Society of Automotive Engineers) code J1940 (Small Engine Power & Torque Rating Procedure), and rating performance has been obtained and corrected in accordance with SAE J1995 (Revision 2002-05). Torque values are derived at 3060 RPM; horsepower values are derived at 3600 RPM. Actual gross engine power will be lower and is affected by, among other things, ambient operating conditions and engine-to-engine variability. Given both the wide array of products on which engines are placed and the variety of environmental issues applicable to operating the equipment, the gas engine will not develop the rated gross power when used in a given piece of power equipment (actual "on-site" or net power). This difference is due to a variety of factors including, but not limited to, accessories (air cleaner, exhaust, charging, cooling, carburetor, fuel pump, etc.), application limitations, ambient operating conditions (temperature, humidity, altitude), and engine-to-engine variability. Due to manufacturing and capacity limitations, Briggs & Stratton may substitute an engine of higher rated power for this Series engine.

TRACTOR - - MODEL NO. TC 238 (96051015900), PRODUCT NO. 960 51 01-59  
STEERING ASSEMBLY **41**



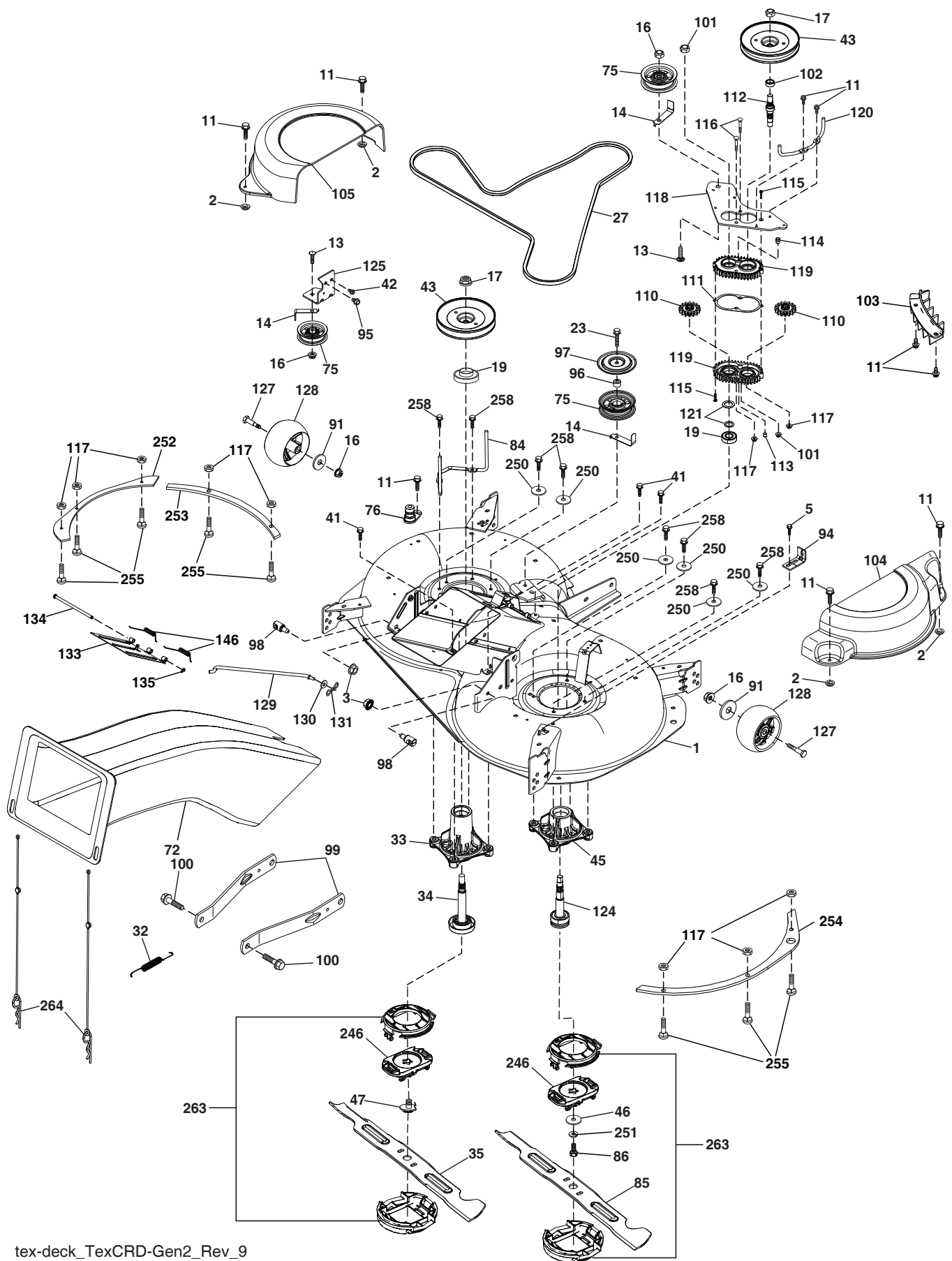
steering-tex\_HUSQSR\_60\_r1

**TRACTOR - - MODEL NO. TC 238 (96051015900), PRODUCT NO. 960 51 01-59  
STEERING ASSEMBLY 41**

| <b>KEY NO.</b> | <b>PART NO.</b> | <b>DESCRIPTION</b>                  |
|----------------|-----------------|-------------------------------------|
| 1              | 532 43 97-40    | Wheel, Steering                     |
| 2              | 532 19 59-68    | Axle Asm., Front                    |
| 4              | 532 40 30-87    | Spindle Asm., LH                    |
| 5              | 532 40 30-88    | Spindle Asm., RH                    |
| 6              | 532 12 49-31    | Washer Thrust 0.75 x 1.23           |
| 7              | 532 12 17-48    | Washer 25/32 x 1-5/8 x 16 Ga.       |
| 8              | 812 00 00-29    | Ring, Klip #T5304-75                |
| 9              | 532 12 12-32    | Cap, Spindle                        |
| 13             | 532 12 17-49    | Washer 25/32 x 1-1/4 x 16 Ga.       |
| 14             | 810 04 06-00    | Washer, Lock 3/8                    |
| 15             | 873 54 06-00    | Nut, Crown Lock 3/8-24 unf          |
| 16             | 587 01 60-02    | Shaft Steering                      |
| 19             | 532 19 47-29    | Plate Steering                      |
| 21             | 586 84 02-01    | Adapter, Wheel Steering Splnd Alum  |
| 22             | 585 02 98-02    | Bearing Subasm Shaft Steer Low      |
| 26             | 532 43 97-43    | Insert, Wheel Steering              |
| 27             | 819 21 16-16    | Washer 21/32 x 1 x 16 Ga.           |
| 28             | 817 00 06-12    | Screw 3/8-16 x 3/4                  |
| 35             | 532 19 47-32    | Gear, Sector Plate                  |
| 45             | 587 01 64-01    | Washer 3/8 ID 2-3/8 OD 12 Ga. PLTD  |
| 50             | 873 90 06-00    | Nut Lock Flg. 3/8-16 unc            |
| 53             | 532 18 89-67    | Washer Hardened .793 x 1.637 x .060 |
| 58             | 532 19 47-47    | Bolt Shoulder Sector Pivot CFM      |
| 59             | 532 19 47-48    | Washer Thrust Sector Steering       |
| 60             | 873 97 10-00    | Nut Flange Lock 5/8-11              |
| 61             | 588 79 44-01    | Draglink, LH                        |
| 62             | 588 79 45-01    | Draglink, RH                        |
| 63             | 817 00 05-12    | Screw 5/16-18 x 3/4                 |
| 64             | 532 19 98-49    | Retainer Clip Spring Steering       |
| 66             | 871 02 07-48    | Bolt Hex Fghd 7/16-14 x 3 Serr      |
| 67             | 532 19 47-37    | Bushing PM Front Axle               |
| 68             | 873 90 07-00    | Nut Lock Flange 7/16-14 Gr. 5       |
| 69             | 532 19 91-62    | Washer 1.5 x .505 x .118            |
| 70             | 585 33 88-01    | Bracket Deck Susp. Front            |
| 75             | 580 68 37-01    | Pinion                              |
| 76             | 580 68 36-01    | Screw Head Sock                     |
| 122            | 532 44 49-62    | Cap Gear                            |

**NOTE:** All component dimensions given in U.S. inches  
1 inch = 25.4 mm

TRACTOR - - MODEL NO. TC 238 (96051015900), PRODUCT NO. 960 51 01-59  
MOWER DECK 44

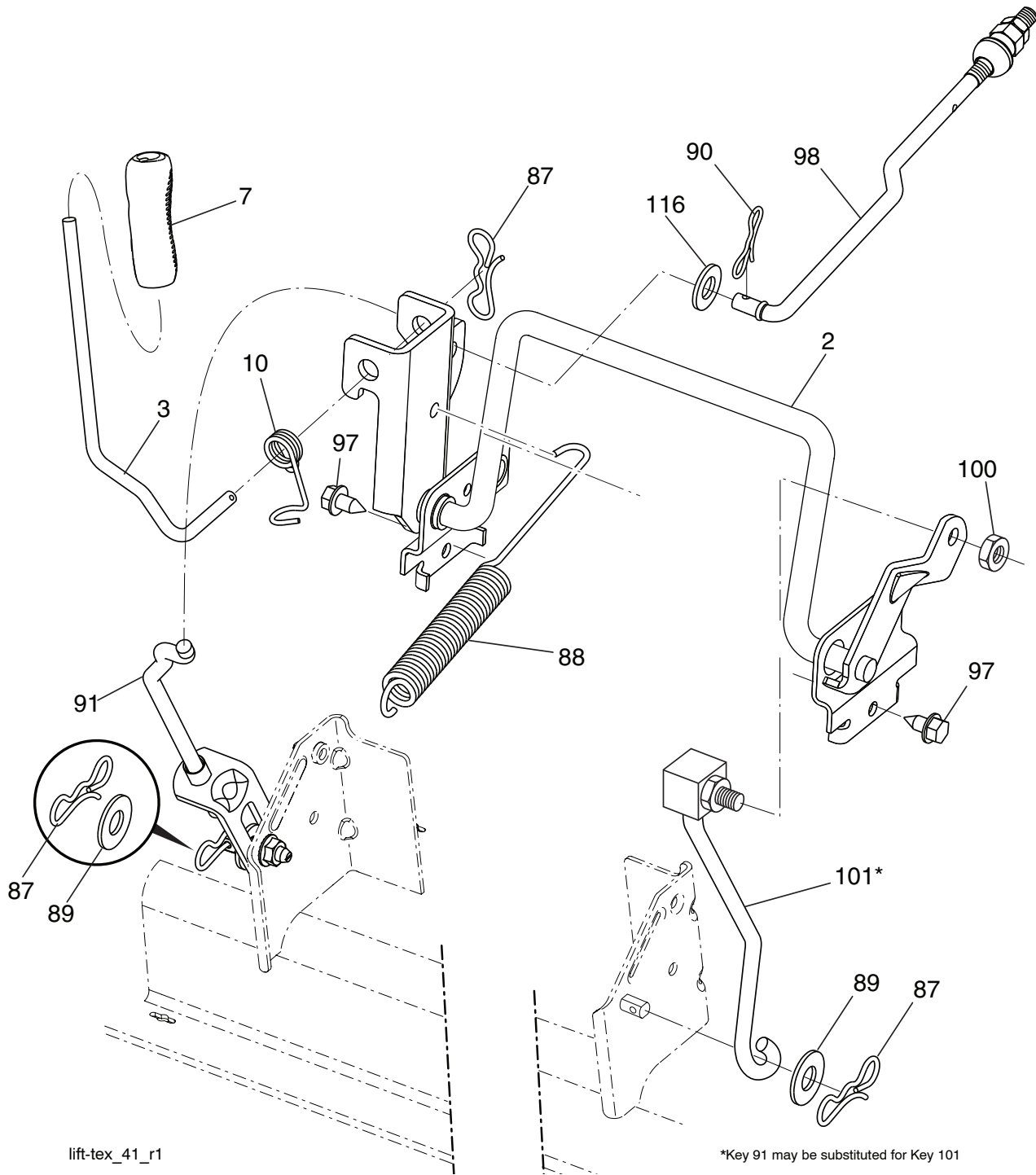


**TRACTOR - - MODEL NO. TC 238 (96051015900), PRODUCT NO. 960 51 01-59**  
**MOWER DECK 44**

| KEY NO. | PART NO.     | DESCRIPTION                       | KEY NO. | PART NO.     | DESCRIPTION   |
|---------|--------------|-----------------------------------|---------|--------------|---|
| 1       | 580 46 53 02 | Deck Weldment                     | 118     | 532 43 69-89 | Arm Clutching   |
| 2       | 532 42 30-62 | Palnut 1/4                        | 119     | 532 43 81-66 | Gearcase Subasm   |
| 3       | 873 90 05-00 | Nut Lock Hex Flange 5/16-18       | 120     | 532 43 69-91 | Keeper Belt RH  |
| 5       | 817 00 05-10 | Bolt 5/16-18                      | 121     | 532 43 69-85 | Washer  |
| 11      | 532 13 77-29 | Screw Thd Roll 1/4-20 x 5/8       | 124     | 581 65 07-01 | Non Greasable Mandrel Shaft   |
| 13      | 872 11 06-12 | Bolt Carr Sh 3/8-16 x 1-1/2 Gr. 5 | 125     | 532 43 69-94 | Bracket Idler Chassis   |
| 14      | 532 15 60-85 | Keeper Belt Idler                 | 127     | 532 19 34-06 | Bolt Shoulder 3/8-16 x 3-5/8 Gr. 5  |
| 16      | 873 90 06-00 | Nut Lock FIG 3/8-16 unc           | 128     | 532 17 48-73 | Wheel Gauge   |
| 17      | 532 40 02-34 | Nut Flange Lock Top               | 129     | 532 44 32-37 | Rod Anti-Sway   |
| 19      | 585 32 39-01 | Bearing Mandrel                   | 130     | 819 13 13-12 | Washer 13/32 x 13/16 x 12 Ga.   |
| 23      | 817 49 06-28 | Screw Thdrol 3/8-16 x 1-3/4       | 131     | 532 19 42-08 | Pin Cotter 5/16 Bow Tie Lock  |
| 27      | 532 44 58-34 | V-Belt Drive                      | 133     | 532 43 55-38 | Mulch Door  |
| 32      | 532 44 62-05 | Spring Return Deck                | 134     | 532 43 58-61 | Pin Hinge   |
| 33      | 580 79 61-01 | Mandrel Asm. Tall                 | 135     | 532 43 79-88 | E-Ring 5/16   |
| 34      | 580 85 47-01 | Shaft Asm Mndrl                   | 146     | 532 44 58-96 | Spring Tex CRD EZ Mulch   |
| 35      | 580 98 33-01 | Blade Mower LH                    | 246     | 580 95 40-03 | Blade Holder Revolution   |
| 41      | 584 95 39-01 | Bolt Hex WSHRHD 313-18 x 1.19     | 250     | 819 11 12-12 | Washer 11/32 x 3/4 x 12 Ga.   |
| 42      | 817 00 05-12 | Screw 5/16-18 x 3/4               | 251     | 810 04 07-00 | Washer Lock   |
| 43      | 532 19 97-89 | Pulley Mandrel                    | 252     | 585 30 87-05 | Plate Reinforcement LH FT   |
| 45      | 581 65 08-01 | Mandrel Asm. Short                | 253     | 585 30 88-05 | Plate Reinforcement LH  |
| 46      | 585 72 99-01 | Flat Washer 3/8                   | 254     | 585 30 90-05 | Plate Reinforcement RH  |
| 47      | 584 30 93-01 | Screw SEMS 7/16-20 x 1            | 255     | 539 10 98-00 | Carriage Bolt   |
| 72      | 581 45 41-03 | Chute Upper                       | 258     | 584 95 39-01 | Bolt Hex Wsh Hd .316-18 x 1.19  |
| 75      | 532 13 14-94 | Pulley Idler Flat                 | 263     | 586 63 85-01 | Upper/Lower Cap Asm.  |
| 76      | 532 41 55-98 | Washout Port                      | 264     | 589 39 29-01 | Retainer Chute Asm.   |
| 84      | 532 40 01-40 | Keeper Belt Mandrel               | --      | 587 12 61-05 | Mandrel Assembly Tall (Includes Housing (key #33), Shaft Assembly (key #34), And Bearing Only (key #19) - Pulley/Nut/Washer And Blade Bolt/Washers Not Included)  |
| 85      | 580 98 34-01 | Blade Mower RH                    | --      | 581 65 05-01 | Mandrel Assembly Short (Includes Housing (key #45), Shaft Assembly (key #124), And Bearing Only (key #19) - Pulley/Nut/Washer And Blade Bolt/Washers Not Included)  |
| 86      | 532 18 17-13 | Bolt 3/8-24 x 1.50 Gr. 8          | --      | 588 78 29-01 | Replacement Mower Complete  |
| 91      | 819 13 20-12 | Washer 13/32 x 1-1/4 x 12 Ga.     | --      | 532 44 81-32 | Gear Case Kit – Use .75 oz. Shell 460 oil (Include Gear Output (key #110), Gasket Gearcase (key #111), Shaft Gearcase (key #112), Plug Oil (key #113), Vent Breather 1/8 NPT (key #114), Screw Torx (key #115), Gearcase Subasm (key #119)) |
| 94      | 532 19 72-50 | Bracket Clutch Cable              |         |              |   |
| 95      | 817 00 06-12 | Screw 3/8-16 x 3/4                |         |              |   |
| 96      | 532 40 02-71 | Spacer                            |         |              |   |
| 97      | 532 18 20-61 | Shield Idler Mower                |         |              |   |
| 98      | 532 19 51-61 | Stud Fastener                     |         |              |   |
| 99      | 532 19 51-86 | Arm Suspension Mower Rear         |         |              |   |
| 100     | 532 19 65-39 | Bolt Shoulder                     |         |              |   |
| 101     | 873 68 09-00 | Nut Crownlock 9/16-18 unc         |         |              |   |
| 102     | 532 40 25-11 | Spacer Bearing Swing Plate        |         |              |   |
| 103     | 532 43 69-92 | Guard Front Vent                  |         |              |   |
| 104     | 532 43 89-68 | Mandrel Cover RH                  |         |              |   |
| 105     | 532 43 87-44 | Mandrel Cover LH                  |         |              |   |
| 110     | 587 93 48-01 | Gear Output                       |         |              |   |
| 111     | 532 43 69-79 | Gasket Gearcase                   |         |              |   |
| 112     | 532 44 38-52 | Shaft Gearcase                    |         |              |   |
| 113     | 532 43 85-33 | Plug Oil                          |         |              |   |
| 114     | 588 17 05-01 | Valve Breather                    |         |              |   |
| 115     | 818 03 10-16 | Screw Torx #10-24 x 1             |         |              |   |
| 116     | 872 11 04-14 | Bolt 1/4-20 x 1.75 Gr. 5          |         |              |   |
| 117     | 873 90 04-00 | Nut Hex Flange 1/4-20 unc         |         |              |   |

**NOTE:** All component dimensions given in U.S. inches  
1 inch = 25.4 mm

**TRACTOR - - MODEL NO. TC 238 (96051015900), PRODUCT NO. 960 51 01-59**  
**MOWER LIFT 45**



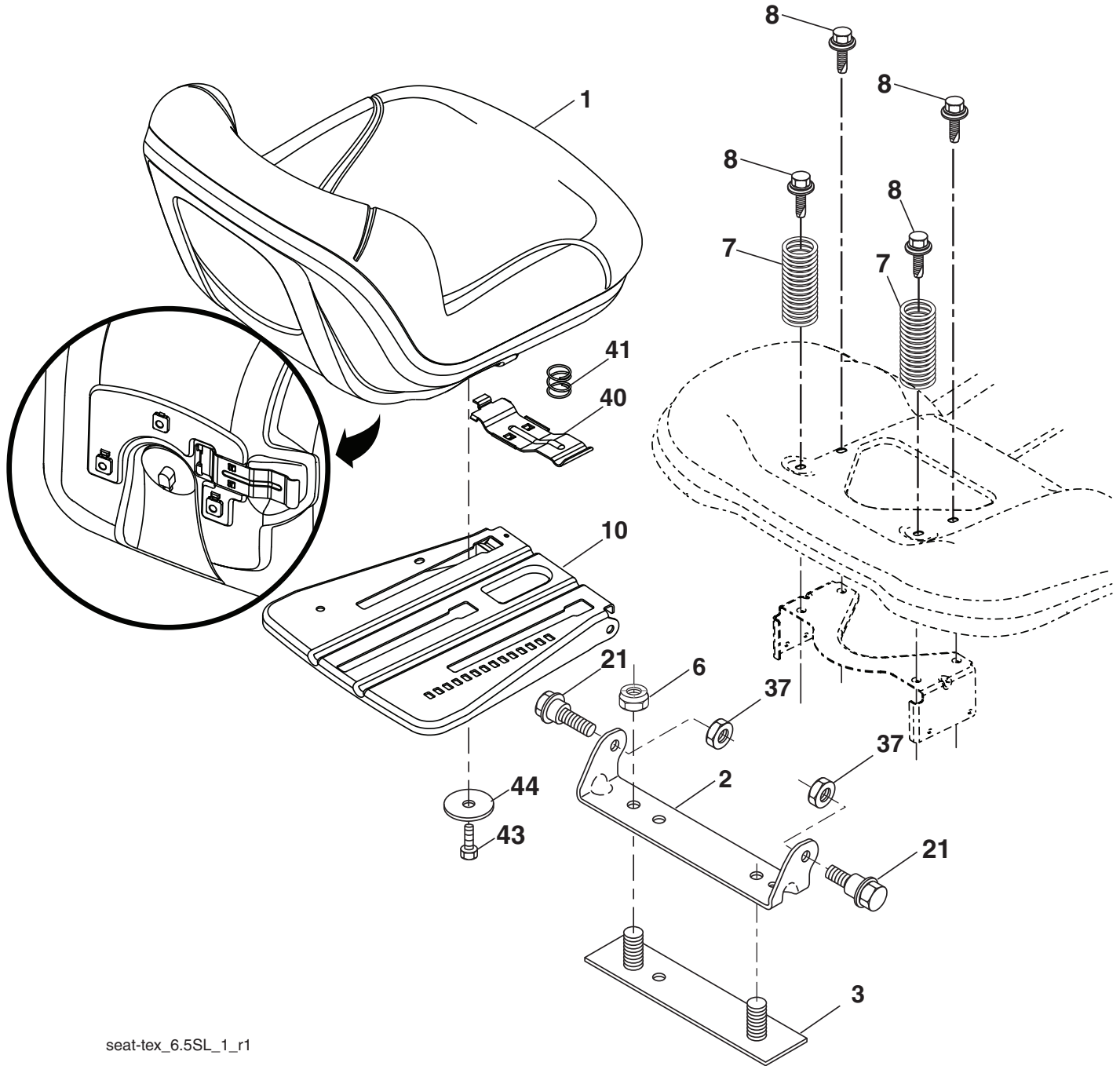
| KEY NO. | PART NO.     | DESCRIPTION                  |
|---------|--------------|------------------------------|
| 2       | 532 43 69-96 | Deck Lift Weldment           |
| 3       | 532 19 52-31 | Lever Asm., Lift RH          |
| 7       | 580 96 23-01 | Grip, Lever                  |
| 10      | 532 19 63-14 | Spring Torsion               |
| 87      | 532 19 42-09 | Pin Cotter 7/16 Bow Tie Lock |
| 88      | 532 44 54-96 | Spring Lift Assist           |
| 89      | 819 19 19-12 | Washer Clear Zinc            |
| 90      | 532 19 42-08 | Pin Cotter 5/16 Bow Tie Lock |
| 91      | 532 19 51-81 | Link Lift Susp Mower Rear    |

| KEY NO. | PART NO.     | DESCRIPTION                   |
|---------|--------------|-------------------------------|
| 97      | 817 49 06-08 | Screw 3/8-16 x 1/2            |
| 98      | 532 19 52-70 | Link Lift Susp. Front Mower   |
| 100     | 873 93 06-00 | Nut Centerlock 3/8-16 unc     |
| 101     | 532 40 70-03 | Link Asm. Lift Fixed          |
| 116     | 819 15 15-16 | Washer 15/32 x 15/16 x 16 Ga. |

**NOTE:** All component dimensions given in U.S. inches  
 1 inch = 25.4 mm



**TRACTOR - - MODEL NO. TC 238 (96051015900), PRODUCT NO. 960 51 01-59  
SEAT ASSEMBLY 42**



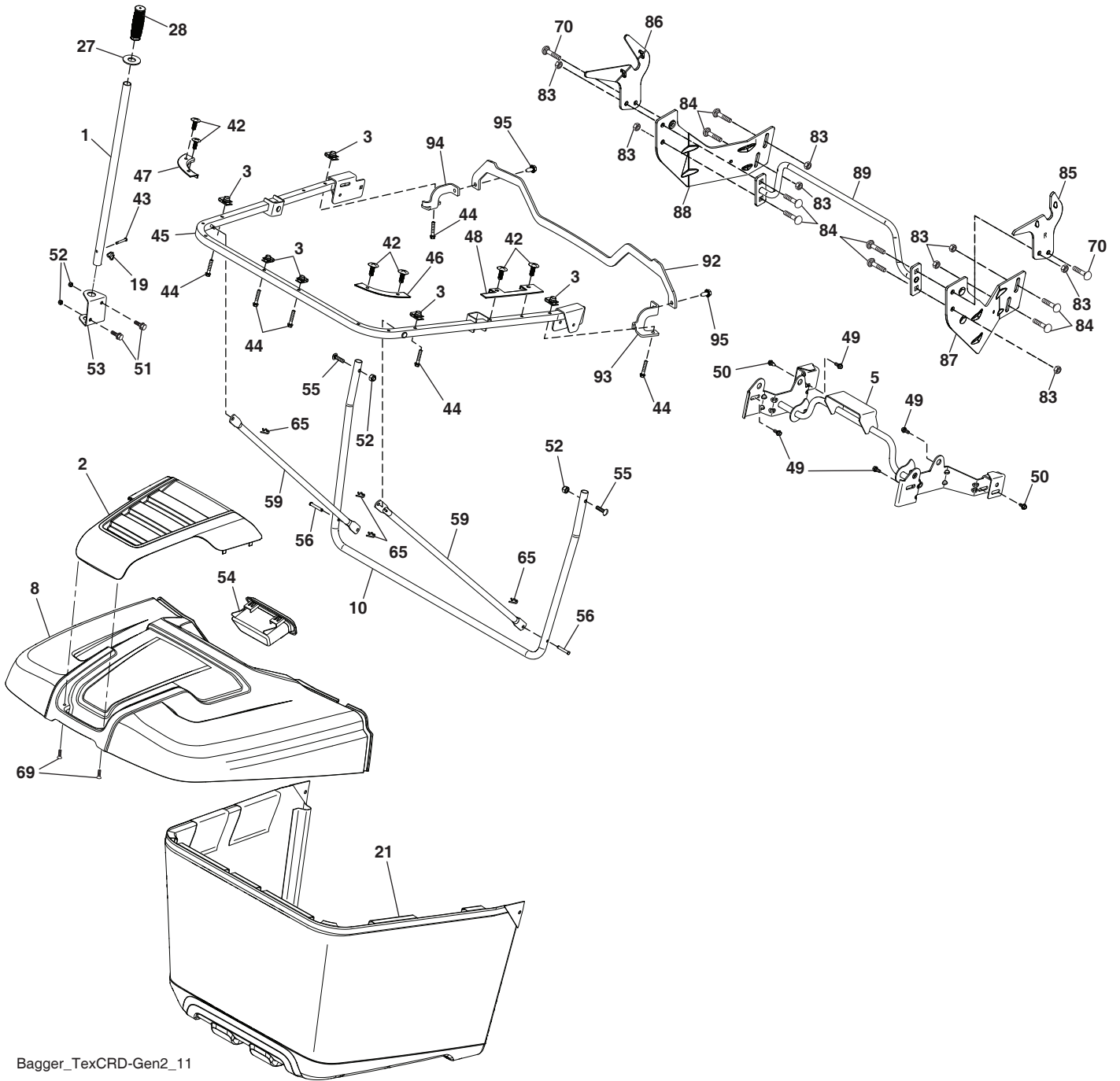
seat-tex\_6.5SL\_1\_r1

| KEY NO. | PART NO.     | DESCRIPTION                   |
|---------|--------------|-------------------------------|
| 1       | 532 43 98-22 | Seat                          |
| 2       | 532 18 01-66 | Bracket Pivot Fender          |
| 3       | 532 14 06-75 | Strap, Asm Fender             |
| 6       | 873 80 06-00 | Nut, Lock W/Ins. 3/8-16 unc   |
| 7       | 587 61 33-01 | Spring, Seat Cprsn            |
| 8       | 532 17 18-77 | Bolt 5/16-18 unc x 3/4 w/Sems |
| 10      | 532 19 69-77 | Pan, Seat                     |
| 21      | 587 90 78-01 | Bolt, Shoulder 5/16-18 x 5/8  |
| 37      | 873 80 05-00 | Nut, Lock 5/16-18 unc         |

| KEY NO. | PART NO.     | DESCRIPTION                   |
|---------|--------------|-------------------------------|
| 40      | 532 19 76-61 | Handle Slide Seat             |
| 41      | 532 19 82-00 | Spring Latch Seat             |
| 43      | 874 76 06-12 | Bolt Fin Hex 3/8-16 unc x 3/4 |
| 44      | 819 13 38-12 | Washer 13/32 x 2-3/8 x 12 Ga. |

**NOTE:** All component dimensions given in U.S. inches  
1 inch = 25.4 mm

TRACTOR - - MODEL NO. TC 238 (96051015900), PRODUCT NO. 960 51 01-59  
BAGGER **46**



Bagger\_TexCRD-Gen2\_11

**TRACTOR - - MODEL NO. TC 238 (96051015900), PRODUCT NO. 960 51 01-59  
BAGGER **46****

| <b>KEY NO.</b> | <b>PART NO.</b> | <b>DESCRIPTION</b>             |
|----------------|-----------------|--------------------------------|
| 1              | 532 42 86-10    | Tube Handle Bagger             |
| 2              | 532 44 75-72    | Applique                       |
| 3              | 532 17 48-14    | Clip                           |
| 5              | 532 44 37-62    | Upper Pivot Tube               |
| 8              | 532 44 75-75    | Bagger Top                     |
| 10             | 532 44 37-55    | Frame Front                    |
| 19             | 532 19 42-08    | Cotter Pin 5/16 Bow Tie        |
| 21             | 581 33 71-03    | Bag Asm                        |
| 27             | 532 44 55-29    | Grommet Rubber                 |
| 28             | 532 16 57-87    | Grip Handle                    |
| 42             | 532 44 04-28    | Clip                           |
| 43             | 532 12 68-75    | Clevis Pin                     |
| 44             | 532 19 96-87    | Bolt 1/4-20                    |
| 45             | 532 44 37-54    | Upper Frame                    |
| 46             | 532 44 55-41    | Bag Corner Close Out RH        |
| 47             | 532 44 40-79    | Bag Corner Close Out LH        |
| 48             | 532 44 40-80    | Top Bagger Side Close Out      |
| 49             | 532 17 18-73    | Bolt Shoulder 5/16-18          |
| 50             | 532 17 18-77    | Bolt 5/16-18 x 3/4 W/Sems      |
| 51             | 872 11 05-06    | Bolt 5/16 x 18 x 3/4           |
| 52             | 873 80 05-00    | Nut Lock Hex W/Ins 5/16-18 unc |
| 53             | 532 44 41-95    | Bracket Dump Handle            |
| 54             | 532 44 72-18    | Bagger Top Front Handle        |
| 55             | 872 14 05-12    | Bolt 5/16-18 x 1-1/2           |
| 56             | 532 42 03-06    | Pin Clevis .183 x 1.26         |
| 59             | 532 44 47-63    | Bagger Sprd Tube               |
| 65             | 532 12 47-88    | Clip Retainer                  |
| 69             | 532 42 18-01    | Screw #8 Flat Head Drill       |
| 70             | 817 00 06-12    | Screw 3/8-16 x 3/4             |
| 83             | 873 80 06-00    | Nut Lock Hex w/Ins. 3/8-16 unc |
| 84             | 872 11 06-08    | Bolt 3/8-16 x 1 Gr. 5          |
| 85             | 581 31 44-02    | Bracket RH Pivot               |
| 86             | 581 31 43-02    | Bracket LH Pivot               |
| 87             | 581 31 48-02    | Bracket RH                     |
| 88             | 581 31 47-02    | Bracket LH                     |
| 89             | 581 31 51-04    | Weldment Offset Strut          |
| 92             | 586 05 23-02    | Bracket Top Support            |
| 93             | 586 05 24-02    | Bracket Support RH             |
| 94             | 586 05 25-02    | Bracket Support LH             |
| 95             | 817 00 05-12    | Screw 5/16-18 x 3/4            |

**NOTE:** All component dimensions given in U.S. inches  
1 inch = 25.4 mm

