



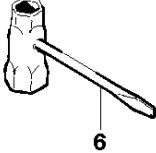
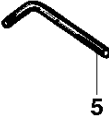
SPARE PARTS LIST

CHAIN SAWS

281 XP, 2016-07

N 281
ACCESSORIES

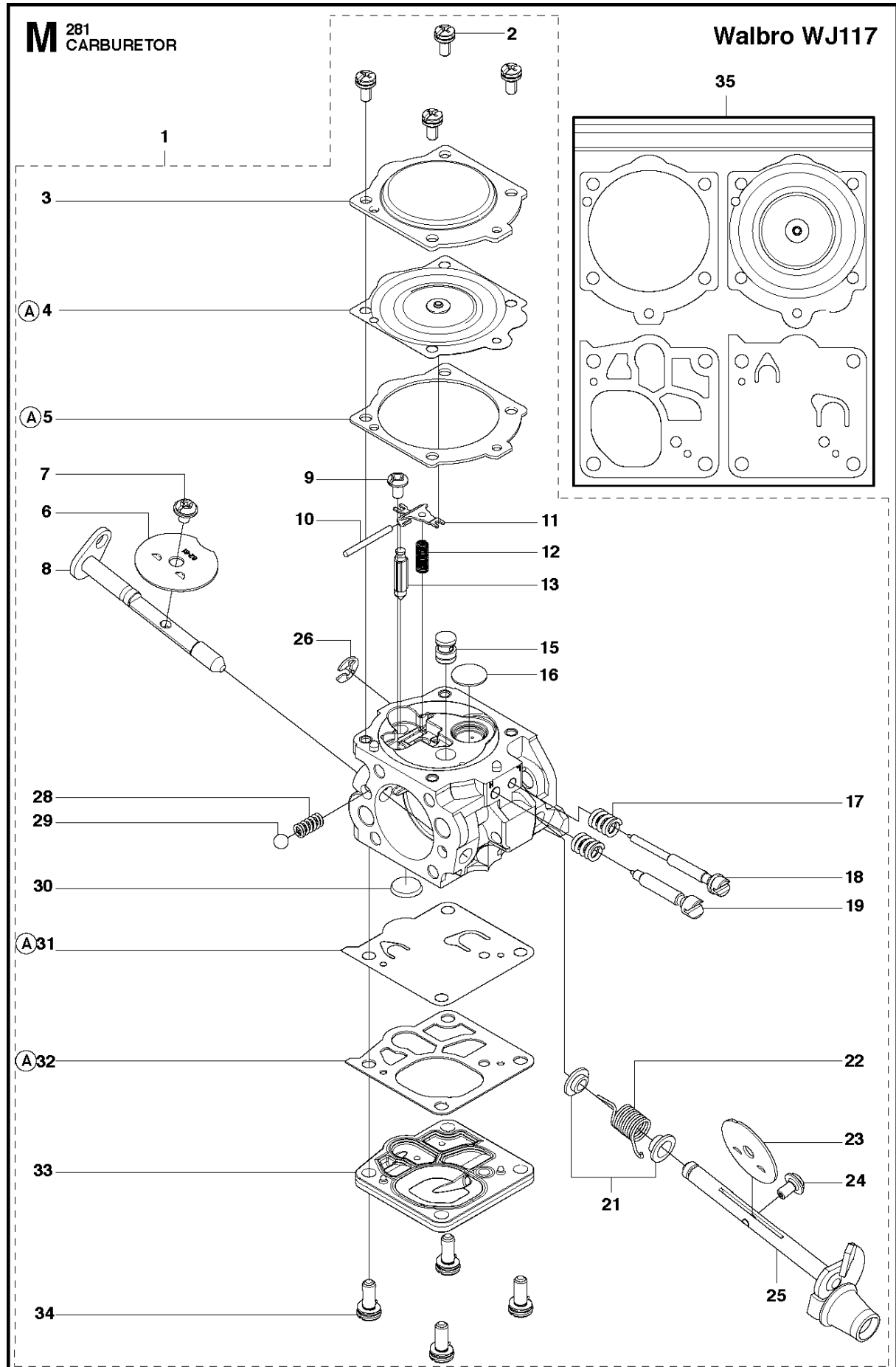
1



ACCESSORIES

281 XP, 2016-07

Ref	Part No	Description	Remark	QTY KIT	
1	503 55 85-01	TOOL		1	
4	503 55 86-01	SPANNER	NV4	1	1
5	503 55 86-02	SPANNER	NV5	1	1
6	501 69 17-01	COMBINATION WRENCH		1	1
7	501 91 14-01	GREASE GUN		1	
8	503 62 12-01	GREASE		1	

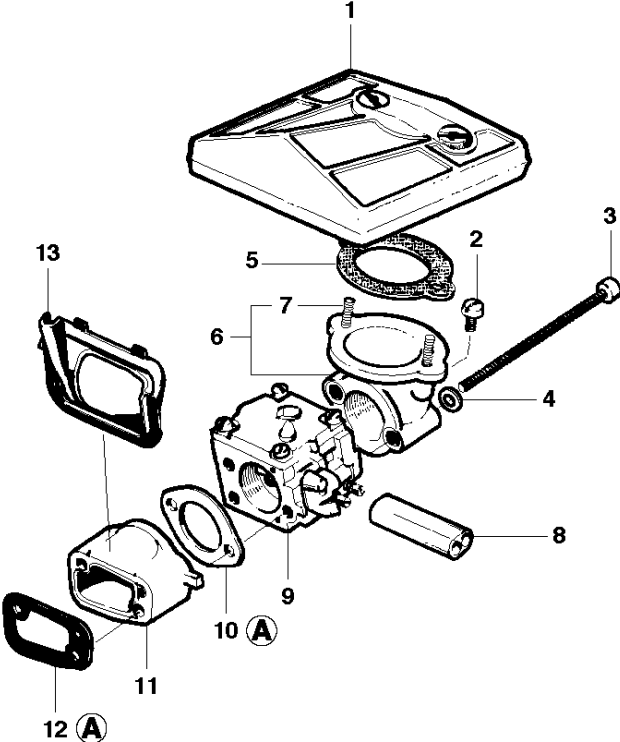


CARBURETOR

281 XP, 2016-07

Ref	Part No	Description	Remark	QTY	KIT
1	501 35 53-01	CARBURETTOR	Walbro WJ 117	1	
2	503 58 46-01	SCREW		4	1
3	505 31 67-02	COVER		1	1
4	503 63 58-01	DIAPHRAGM ASSY		1	1, 35
5	501 46 75-01	GASKET		1	1, 35
6	505 31 67-07	VALVE-CHOKE		1	1
7	544 11 15-01	SCREW		1	1
8	574 87 11-01	CHOKE SHAFT		1	1
9	505 31 67-17	SCREW		1	1
10	505 31 67-31	PIN-METERING LEVER		1	1
11	505 31 67-34	LEVER		1	1
12	574 87 13-01	SPRING		1	1
13	503 56 34-01	INLET		1	1
15	574 87 12-01	NOZZLE ASSY		1	1
16	503 57 41-01	PLUG		1	1
17	504 21 00-50	SPRING		2	1
18	574 87 16-01	NEEDLE	L	1	1
19	503 48 36-01	NEEDLE HIGH SPEED	H	1	1
21	502 10 31-01	BUSHING		2	1
22	574 87 15-01	SPRING		1	1
23	503 11 68-01	VALVE-THROTTLE		1	1
24	544 11 15-01	SCREW		1	1
25	574 87 10-01	THROTTLE SHAFT		1	1
26	505 31 67-36	RING		1	1
28	503 11 77-01	SPRING		1	1
29	503 11 71-01	BALL		1	1
30	501 66 61-01	SCREEN		1	1
31	544 89 72-01	DIAPHRAGM PUMP		1	1, 35
32	503 11 72-01	GASKET		1	1, 35
33	503 59 58-01	COVER		1	1
34	503 11 75-01	SCREW		4	1
35	502 52 92-01	GASKET KIT	Set of Gaskets	1	

G 281
CARBURETOR & AIR FILTER



14

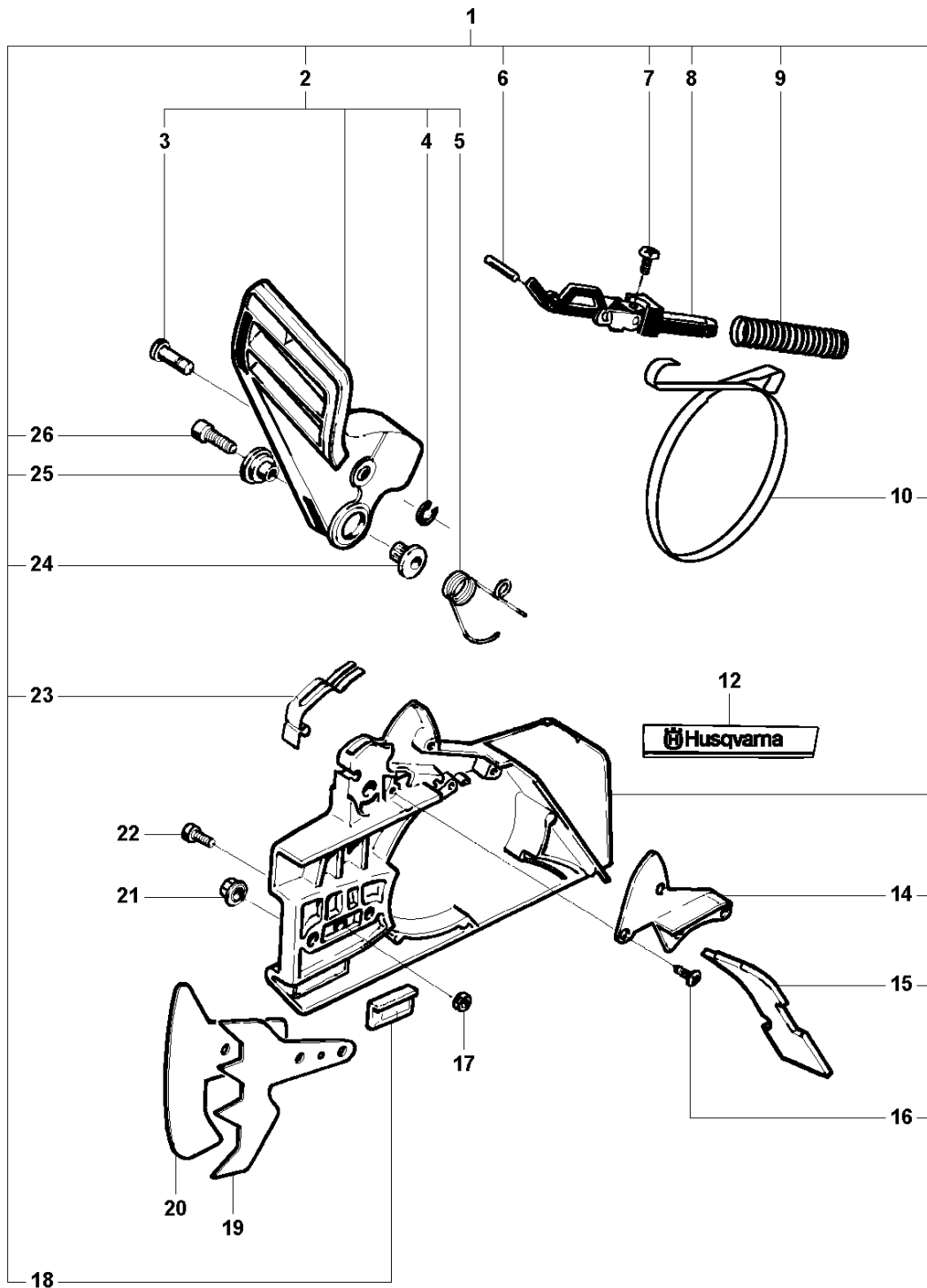
Ⓐ 501 81 34-03
Set of gaskets

CARBURETOR & AIR FILTER

281 XP, 2016-07

Ref	Part No	Description	Remark	QTY	KIT
1	501 80 71-01	AIR FILTER ASSY	80 μ	1	
1	501 80 71-06	AIR FILTER ASSY	44 μ	1	
1	501 80 71-05	AIR FILTER ASSY	FELT	1	
2	503 20 02-10	SCREW IHSCFM		1	
3	503 20 21-91	SCREW IHSCM		2	
4	735 11 46-50	SPRING WASHER		2	
5	501 81 56-01	GASKET		1	
6	501 80 62-02	FILTER HOLDER ASSY		1	
7	503 20 80-06	SCREW PIN		2	6
8	501 80 69-01	GUIDE BUSHING		1	
9	501 35 53-01	CARBURETTOR	WJ 117	1	
10	501 29 64-02	GASKET		1	14
11	501 80 66-02	MANIFOLD		1	
12	501 80 68-02	GASKET		1	14
13	501 81 18-01	SEALING COLLAR		1	
14	501 81 34-03	GASKET KIT	A = Set of gaskets	1	

A 281
CHAIN BREAK & CLUTCH COVER

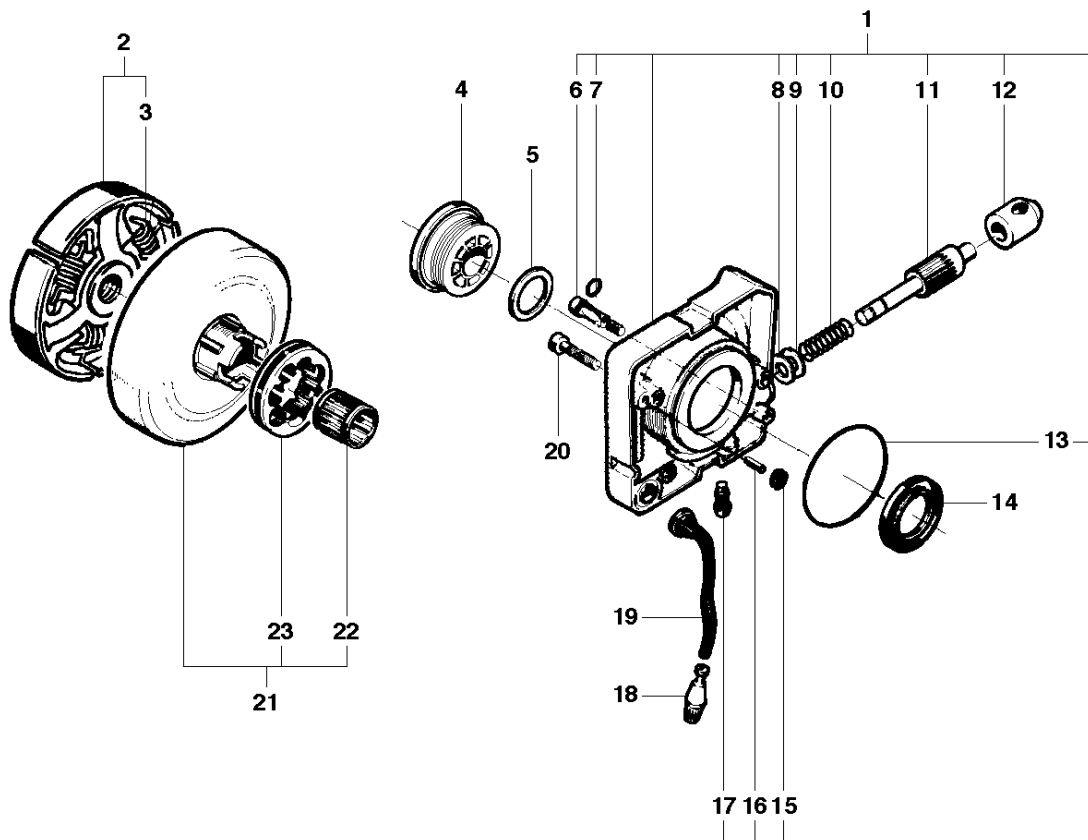


CHAIN BRAKE & CLUTCH COVER

281 XP, 2016-07

Ref	Part No	Description	Remark	QTY	KIT
1	503 74 67-02	CHAIN BRAKE ASSY		1	
2	503 76 08-01	HAND GUARD ASSY		1	1
3	503 80 27-01	PIVOT PIN		1	1, 2
4	735 31 08-20	E-CLIP		1	1, 2
5	503 57 97-01	POSITION SPRING		1	1, 2
6	720 12 33-51	PARALLEL PIN		1	1
7	503 21 28-10	SCREW CCRPANT		1	1
8	501 87 53-01	KNEE JOINT ASSY		1	1
9	503 70 99-01	BRAKE SPRING		1	1
10	503 70 40-02	BRAKE BAND ASSY		1	1
12	503 77 54-01	LABEL		1	
14	503 70 39-01	HUB CAP		1	1
15	503 57 37-01	CHIP GUARD		1	1
16	503 21 28-10	SCREW CCRPANT		4	1
17	503 22 24-01	LOCK NUT		1	
18	501 51 72-01	CHAIN GUIDE		1	1
19	501 91 84-01	SPIKE OUTER		1	
20	503 60 13-01	SPIKE		1	
21	503 22 00-01	HEXAGON NUT		2	
22	725 53 27-55	SCREW IHSCM		1	
23	501 87 47-01	SPRING		1	1
24	503 52 08-01	SHAFT PIVOT		1	1
25	501 76 80-01	SHAFT PIVOT		1	1
26	503 20 26-16	SCREW IHSCM		1	1

B 281
CLUTCH & OIL PUMP

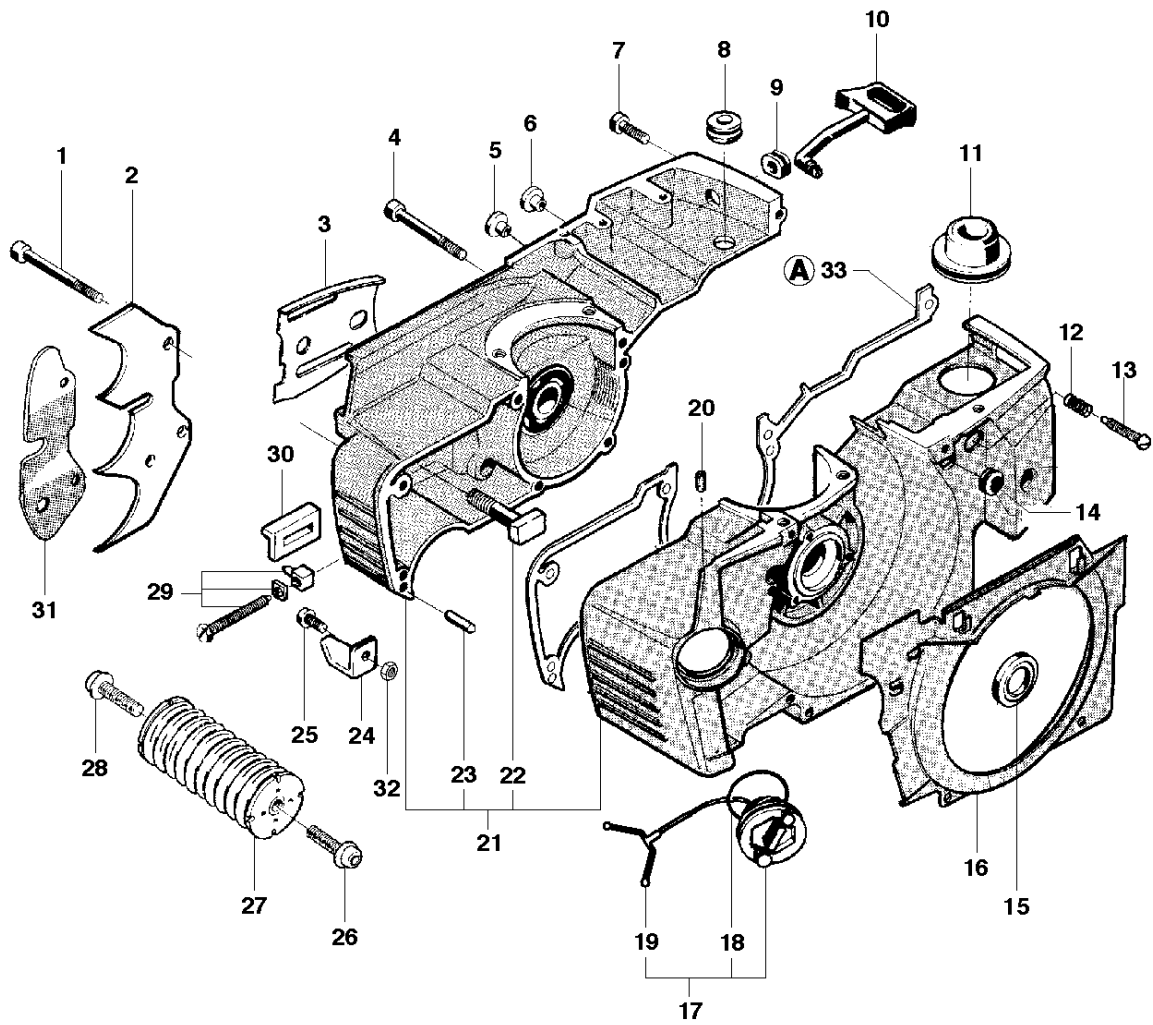


CLUTCH & OIL PUMP

281 XP, 2016-07

Ref	Part No	Description	Remark	QTY KIT	
1	503 69 81-01	OIL PUMP ASSY		1	
2	503 70 15-02	CLUTCH ASSY		1	
3	503 14 51-01	CLUTCH SPRING		3	2
4	503 55 75-01	GEAR WHEEL		1	
5	503 23 00-58	WASHER		1	
6	501 29 38-01	ADJUSTMENT SCREW		1	1
7	740 42 01-00	O-RING		1	1
8	503 23 10-02	WASHER		1	1
9	503 23 00-19	WASHER		1	1
10	501 54 48-01	SPRING		1	1
11	503 69 82-01	PUMP PISTON		1	1
12	501 29 39-02	BUSHING		1	1
13	740 42 24-00	O-RING		1	1
14	503 26 02-05	SEALING RING		1	
15	501 28 85-01	X-RING 2.9X6.46X1.78		1	1
16	721 42 03-25	PINNE FRP-LS3X6 OXSV		1	1
17	501 28 41-01	PIN SCREW		1	1
18	501 54 41-02	OIL SCREEN		1	
19	501 51 99-01	OIL HOSE		1	
20	725 52 95-56	SCREW IHSCM		3	
21	503 62 59-03	CLUTCH DRUM	"3/8"x7"	1	
21	503 62 59-04	CLUTCH DRUM	.404x7	1	
22	503 25 30-01	NEEDLE BEARING		1	21
23	501 59 80-02	RIM	"3/8"x7"	1	21
23	501 59 79-02	RIM	.404x7	1	21

H 281
CRANKCASE



33

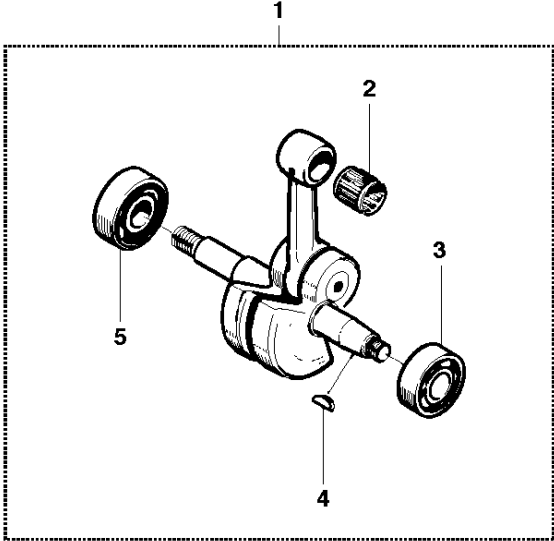
Ⓐ 501 81 34-03
Set of gaskets

CRANKCASE

281 XP, 2016-07

Ref	Part No	Description	Remark	QTY	KIT
1	725 53 42-55	SCREW IHSCM		2	
2	501 91 81-01	SPIKE		1	
3	501 81 48-01	PROTECTIVE PLATE		1	
4	725 53 37-55	SCREW IHSCM		4	
5	503 72 31-01	BUSHING		1	
6	503 27 90-04	PLUG		1	
7	725 53 29-55	SCREW IHSCM		1	
8	503 69 76-01	GROMMET		1	
9	501 52 78-01	GROMMET		1	
10	501 52 79-02	CHOKE CONTROL		1	
11	501 91 67-01	BELLOWS		1	
12	501 29 66-01	SPRING		1	
13	501 29 65-01	STÄLLSKRUV GASREGLA		1	
14	501 27 13-02	CABLE GROMMET		1	
15	503 26 02-05	SEALING RING		1	
16	501 80 19-02	LEDSKENA		1	
17	501 81 96-02	TANK CAP ASSY		1	
18	503 26 30-17	O-RING		1	17
19	503 57 89-01	HOLDER		1	17
20	501 83 94-01	FILTER PLUG		1	
21	501 80 03-71	CRANKCASE		1	
22	501 81 57-01	BAR BOLT		2	21
23	501 27 08-01	GUIDE BUSHING		2	21
24	501 68 68-01	CHAIN CATCHER		1	
25	725 53 29-55	SCREW IHSCM		2	
26	503 21 05-22	SCREW IHSCM		1	
27	503 49 62-01	ANTIVIBRATION ELEMENT		1	
28	503 21 05-22	SCREW IHSCM		1	
29	501 53 71-01	CHAIN TENSIONER KIT		1	
30	501 51 72-01	CHAIN GUIDE		1	
31	503 60 12-01	SPIKE		1	
32	503 22 65-04	SQUARE NUT		2	
33	501 81 34-03	GASKET KIT	A = Set of gaskets	1	

F 281
CRANKSHAFT

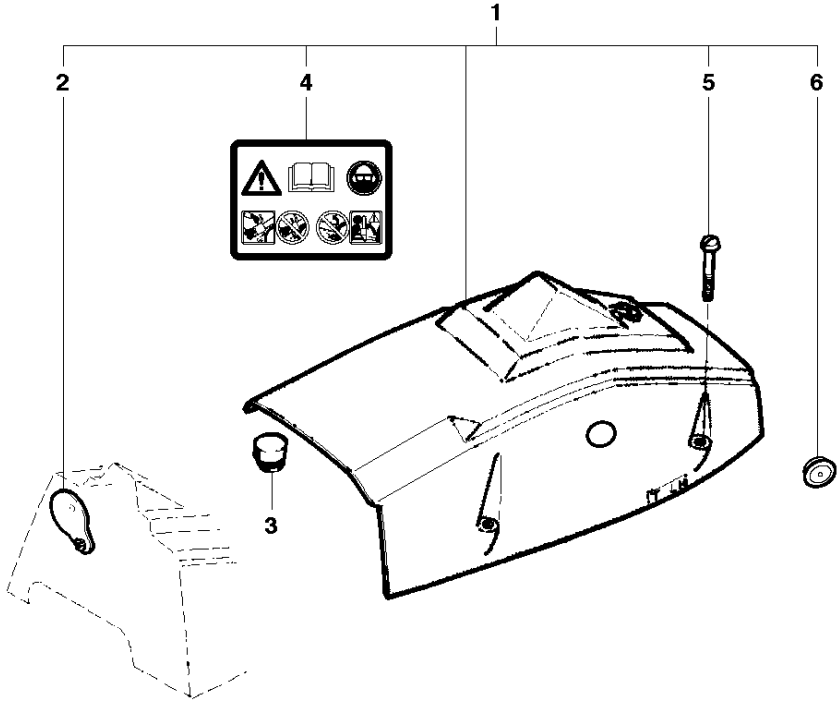


CRANKSHAFT

281 XP, 2016-07

Ref	Part No	Description	Remark	QTY	KIT
1	501 81 49-01	CRANKSHAFT ASSY		1	
2	503 25 61-01	NEEDLE BEARING		1	1
3	738 22 03-25	BALL BEARING		1	1
4	735 88 06-00	WOODRUFF KEY		1	1
5	738 22 03-25	BALL BEARING		1	1

C 281
CYLINDER COVER

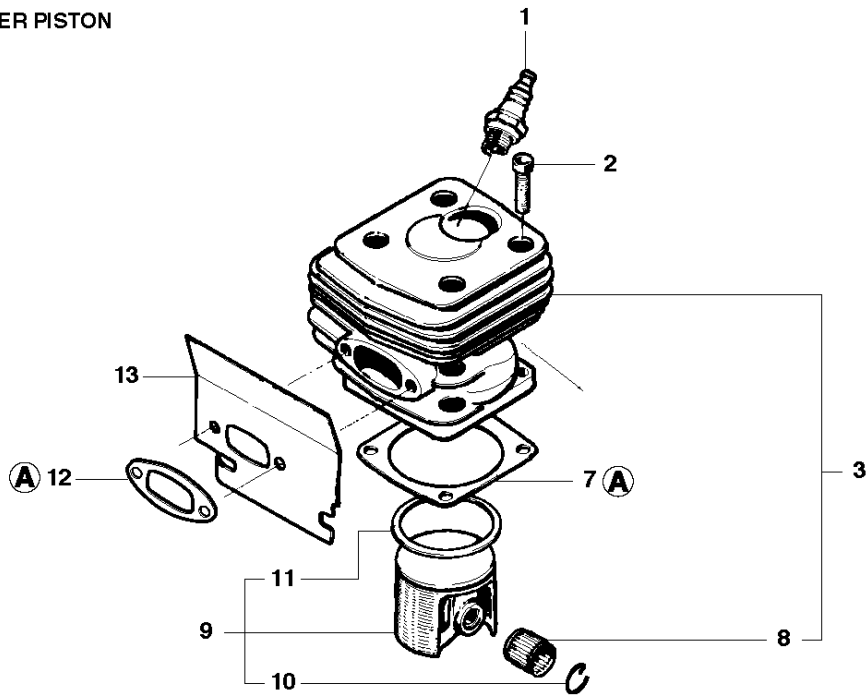


CYLINDER COVER

281 XP, 2016-07

Ref	Part No	Description	Remark	QTY	KIT
1	501 80 59-04	CYLINDER COVER ASSY		1	
2	501 63 97-01	COVER		1	1
3	501 51 54-01	SUPPORT		1	
4	503 98 74-01	LABEL	HD	1	1
5	503 20 32-28	SCREW CCRPANMO		3	1
6	501 61 52-01	PLUG	HD	4	1

E 281
CYLINDER PISTON



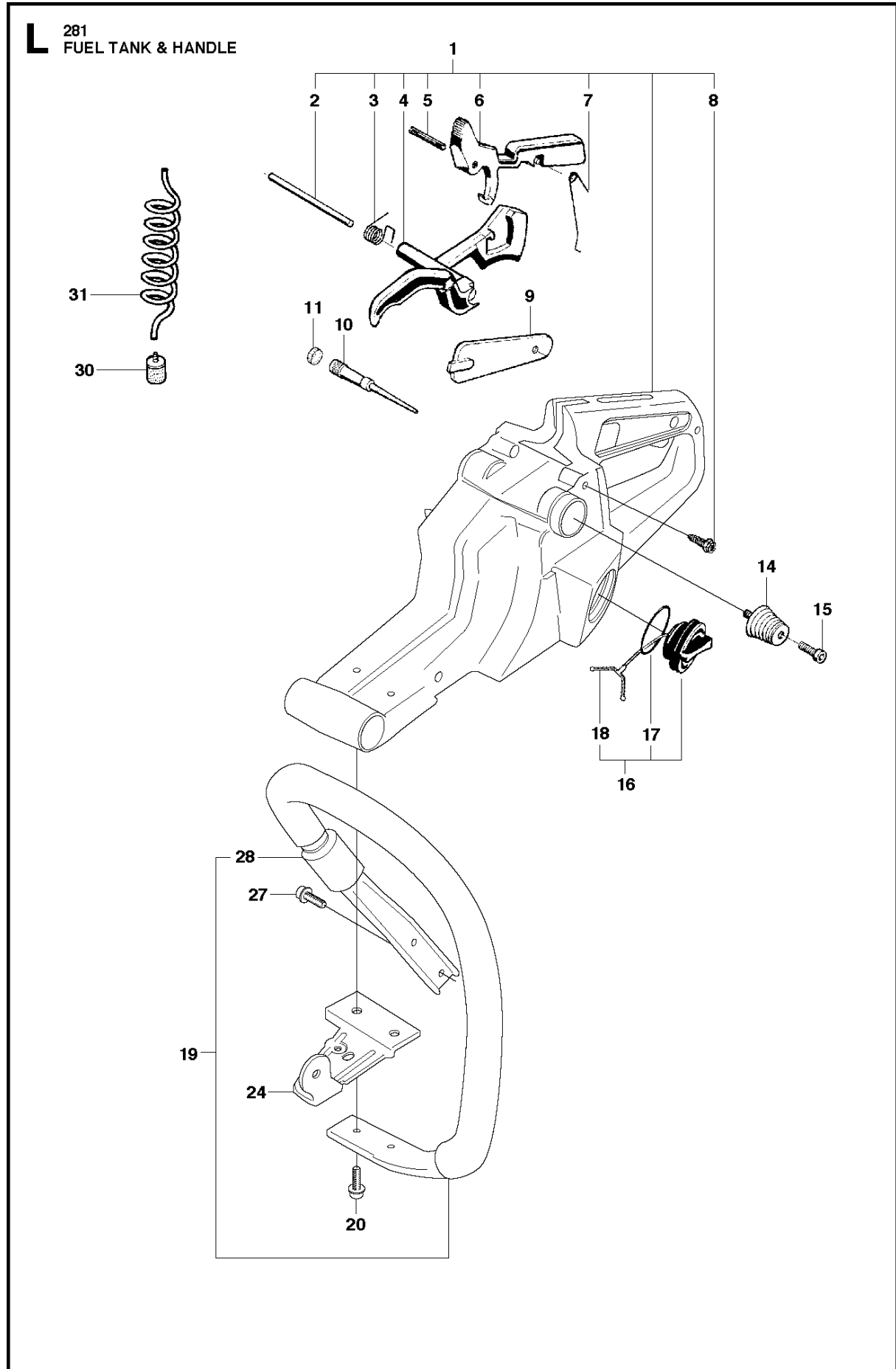
14

Ⓐ 501 81 34-03
Set of gaskets

CYLINDER PISTON

281 XP, 2016-07

Ref	Part No	Description	Remark	QTY	KIT
1	503 23 51-11	SPARK PLUG	RCJ 6 Y	1	
2	503 21 60-25	SCREW		4	
3	544 22 30-02	CYLINDER ASSY		1	
7	501 80 13-02	GASKET		1	14
8	503 25 61-01	NEEDLE BEARING		1	3
9	544 22 40-02	PISTON ASSY		1	
10	737 44 13-00	CIRCLIP		2	9
11	544 22 50-01	PISTON RING		1	9
12	501 81 60-03	GASKET		1	14
13	503 51 25-01	HEAT DEFLECTOR		1	
14	501 81 34-03	GASKET KIT	A = Set of gaskets	1	

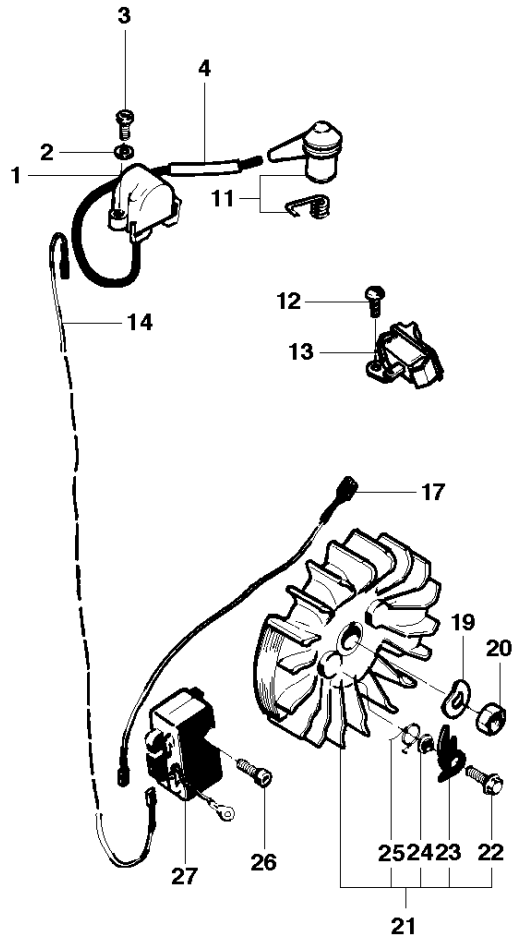


FUEL TANK & HANDLE

281 XP, 2016-07

Ref	Part No	Description	Remark	QTY	KIT
1	501 80 91-05	FUEL TANK		1	
2	501 51 97-01	ROD		1	1
3	501 52 88-01	RECOIL SPRING		1	1
4	501 91 66-02	THROTTLE LEVER		1	1
5	721 42 12-26	SPRING PIN		1	1
6	501 81 75-02	THROTTLE LOCKOUT		1	1
7	503 78 63-01	SPRING		1	1
8	503 21 06-16	SCREW IH SCT		1	1
9	503 48 45-01	HANDLE INSERT		2	
10	501 87 25-01	TANK VENT		1	
11	503 60 04-01	FILTER PLUG		1	
14	503 51 48-01	ANTIVIBRATION ELEMENT		4	
15	725 53 29-55	SCREW IH SCM		4	
16	501 81 96-02	TANK CAP ASSY		1	
17	503 26 30-17	O-RING		1	16
18	503 57 89-01	HOLDER		1	16
19	501 80 75-05	FRONT HANDLE ASSY		1	
20	503 21 05-22	SCREW IH SCT		2	
24	501 91 70-01	BRACKET		1	
27	503 21 05-22	SCREW IH SCT		2	
28	501 91 89-02	LATERAL SUPPORT		1	19
30	503 51 71-01	FUEL FILTER		1	
31	581 75 62-01	FUEL HOSE		1	

J 281
IGNITION SYSTEM

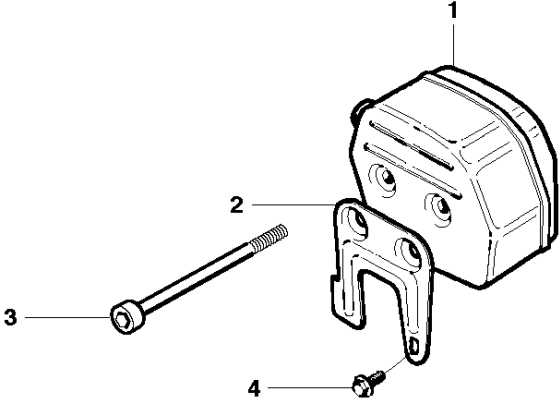


IGNITION SYSTEM

281 XP, 2016-07

Ref	Part No	Description	Remark	QTY	KIT
1	501 81 28-01	IGNITION COIL		1	
2	503 23 00-01	WASHER		2	
3	725 52 93-56	SCREW IHSCM		2	
4	501 52 74-01	RUBBER HOSE		1	
11	501 48 54-02	SPARK PLUG CAP		1	
12	503 21 28-06	SCREW CCRPANT		1	
13	503 71 79-01	STOP SWITCH		1	
14	501 83 97-02	LEDNING MODUL-SPOLE		1	
17	501 83 98-03	CABLE		1	
19	735 11 73-50	SPRING WASHER		1	
20	503 22 10-02	HEXAGON NUT		1	
21	504 70 16-01	FLYWHEEL ASSY		1	
22	501 81 99-01	SCREW		2	21
23	501 67 32-01	PAWL		2	21
24	503 23 00-42	WASHER		2	21
25	501 67 35-01	SPRING		2	21
26	725 53 29-56	SCREW IHSCM		2	
27	501 81 27-02	MODULE		1	

D 281
MUFFLER

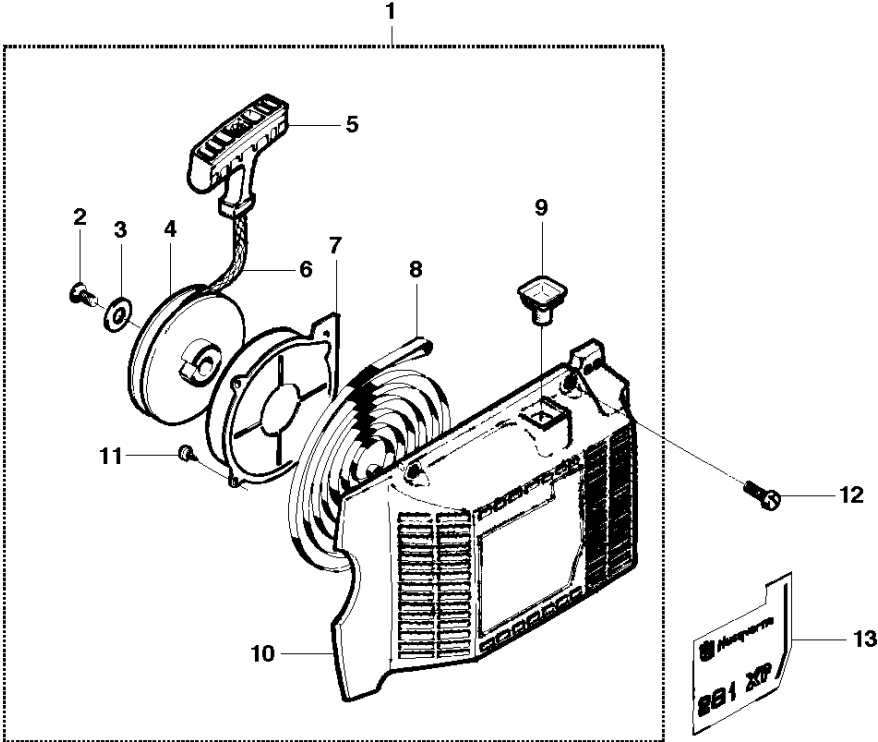


MUFFLER

281 XP, 2016-07

Ref	Part No	Description	Remark	QTY KIT
1	501 81 68-02	MUFFLER	DJ	1
2	501 81 79-01	BRACKET		1
3	503 20 38-90	SCREW IHSCM		2
4	503 20 02-16	SCREW IHSCFM		1

K 281
STARTER



STARTER

281 XP, 2016-07

Ref	Part No	Description	Remark	QTY	KIT
1	501 81 00-06	STARTER ASSY		1	
2	503 20 03-12	SCREW IHSCFM		1	1
3	503 23 43-02	WASHER		1	1
4	503 48 48-01	STARTER PULLEY		1	1
5	503 54 39-01	STARTER HANDLE		1	1
6	501 20 15-02	STARTER CORD		1	1
7	501 52 95-02	GUARD RING		1	1
8	501 52 04-02	RECOIL SPRING		1	1
9	501 63 06-01	SLEEVE		1	1
10	501 81 01-05	STARTER HOUSING		1	1
11	503 21 28-06	SCREW CCRPANT		2	1
12	724 13 29-55	SCREW		4	
13	503 70 98-01	DECAL		1	

Illustrated Parts List - IPL Update



Product Name(s)

281 XP

Description of change

1. New material in fuel hose.
2. Updated drawing and new supplier
3. New screw

Comments

Fully interchangeable

Introduced from

Serial number / Date	Remark
20132100001	Fuel hose 581 75 62-01
20134200001	Spark plug 503 23 51-11
20113700001	Screw IHSCM 725 52 95-56

IPL updates

Page Title	Ref no	New part no	Name	Excl. part no.	Remark
Fuel tank & handle	31	581 75 62-01	Fuel hose	544 32 50-01	
Cylinder Piston	1	503 23 51-11	Spark plug	503 23 51-09	
Clutch and oil pump	20	725 52 95-56	Screw IHSCM	503 20 26-20	Remain as spare part.