

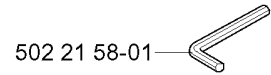
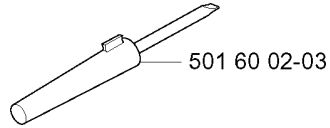
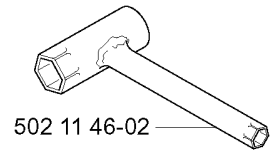
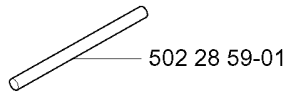


# SPARE PARTS LIST

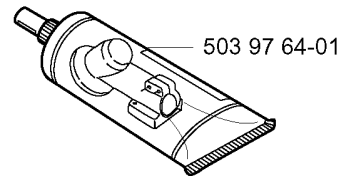
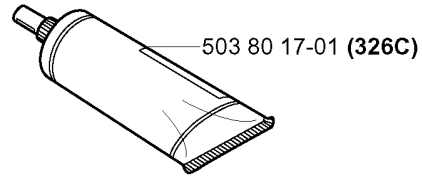
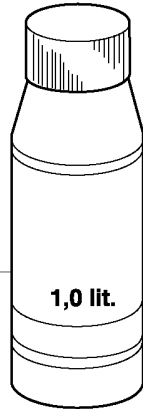
TRIMMERS/EDGERS

323 L, 2004-03

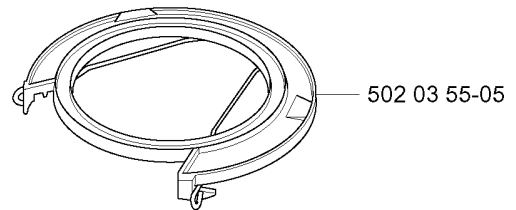
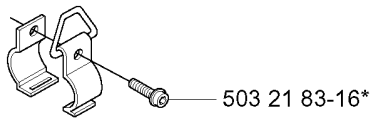
**S** Accessories  
 Zubehöre  
 Accessoires  
 Accesorios  
 Tillbehör



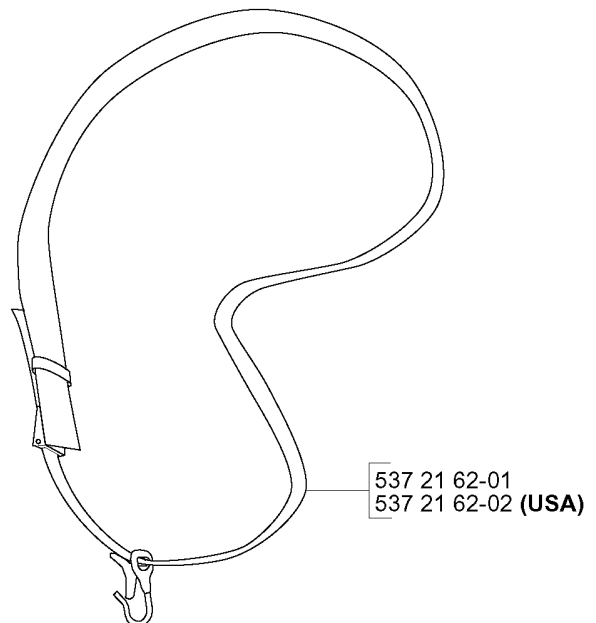
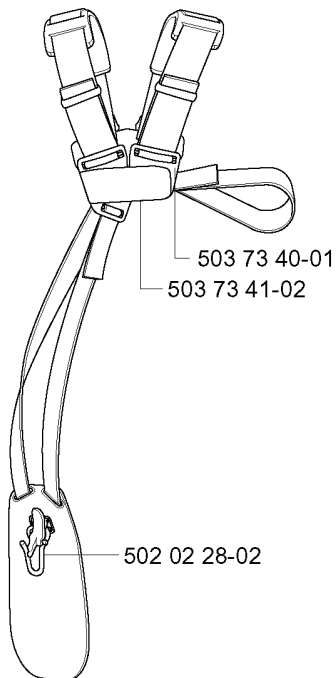
Olja Luftfilter  
 Oil Airfilter  
 Öl Luftfilter  
 Aceite Filtro Air  
 Huile Filtraire



\*compl 501 78 33-01



compl 537 21 63-01  
 compl 537 21 63-02 (USA)



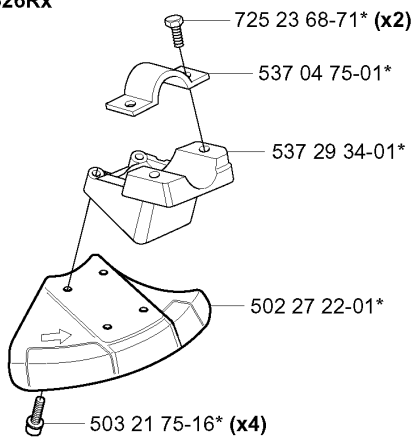
## ACCESSORIES

323 L, 2004-03

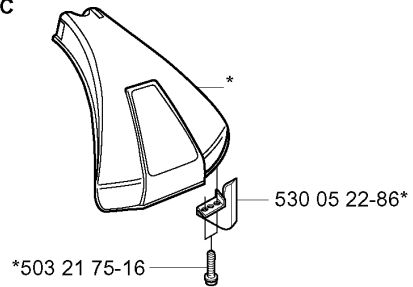
Part No	Description	Remark	QTY KIT
501 60 02-03	SCREWDRIVER		1
501 78 33-01	SUSPENSION BAIL		1
502 02 28-02	WELT HOOK		1
502 03 55-05	TRANSPORT GUARD		1
502 11 46-02	SOCKET WRENCH		1
502 21 58-01	L-NYCKEL		1
502 28 59-01	STOP		1
503 21 83-16	SCREW		1
503 73 40-01	FRONT PIECE		1
503 73 41-02	FRONT PIECE		1
503 80 17-01	GREASE	326C	1
503 97 64-01	GREASE		1
531 00 92-48	FILTER OIL		1
537 21 62-01	HARNESS		1
537 21 62-02	HARNESS	USA	1
537 21 63-01	HARNESS		1
537 21 63-02	HARNESS	USA	1

**S** Accessories  
Zubehöre  
Accessoires  
Accesorios  
Tillbehör

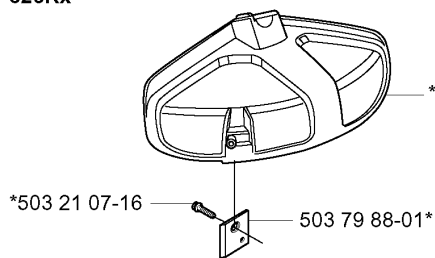
\*compl 537 29 95-01  
323R  
326Rx



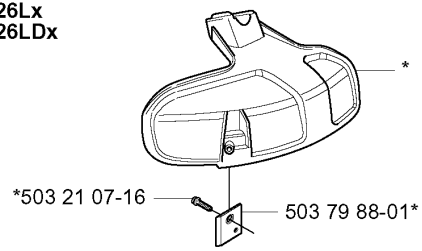
\*compl 537 02 61-01  
326C



\*compl 503 93 42-02  
323R  
326Rx



\*compl 503 97 71-01  
323L  
326L  
326Lx  
326LDx

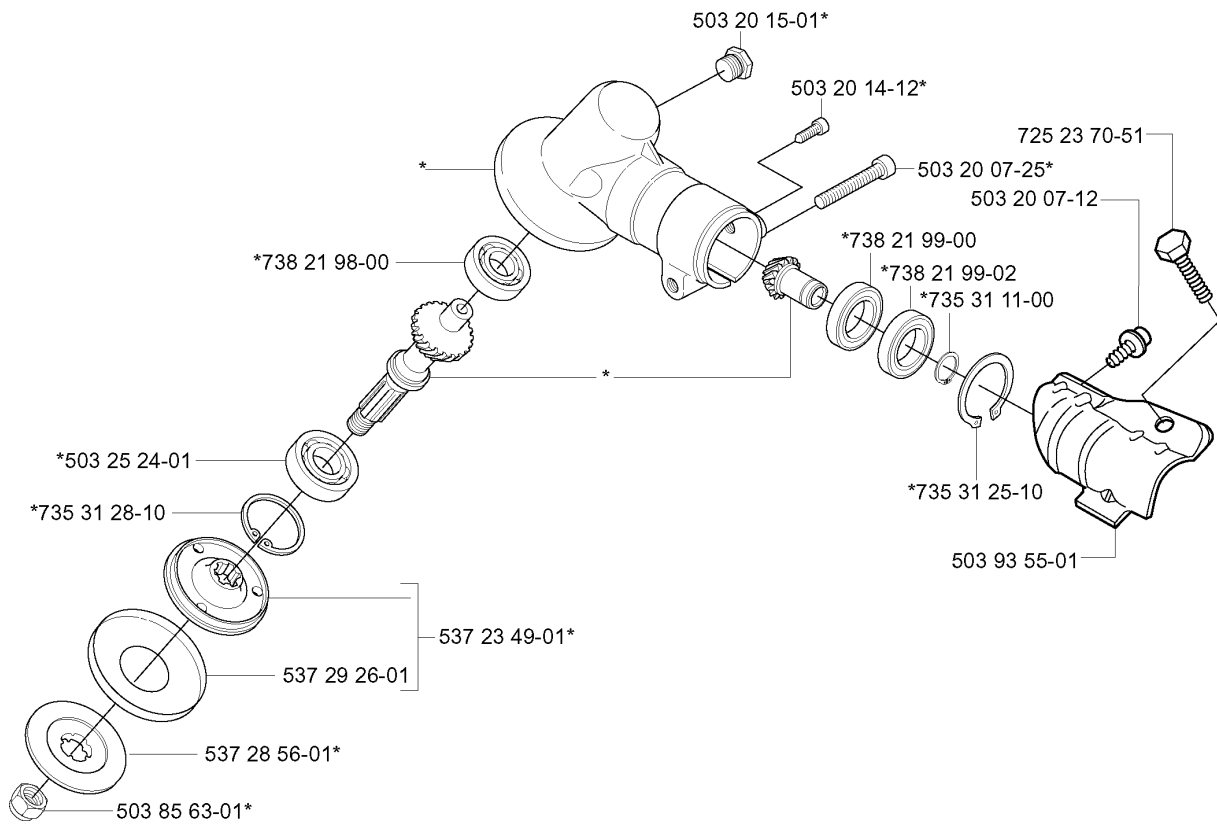


## ACCESSORIES

323 L, 2004-03

Part No	Description	Remark	QTY KIT
502 27 22-01	SAW BLADE GUARD		1
503 21 07-16	SCREW IHSC T		1
503 21 07-16	SCREW IHSC T		1
503 21 75-16	SCREW IHSCFT		4
503 21 75-16	SCREW IHSCFT		1
503 79 88-01	BLADE		1
503 79 88-01	BLADE		1
503 93 42-02	COMBI GUARD		1
503 97 71-01	TRIMMER GUARD		1
530 05 22-86	LINE LIMITER		1
537 02 61-01	TRIMMER GUARD		1
537 04 75-01	CLAMP		1
537 29 34-01	ADAPTER		1
537 29 95-01	SAW BLADE GUARD		1
725 23 68-71	SCREW EHHM		2

**A** 323L, R  
326L, Lx, LDx, Rx, RJx  
\*compl 537 19 92-02

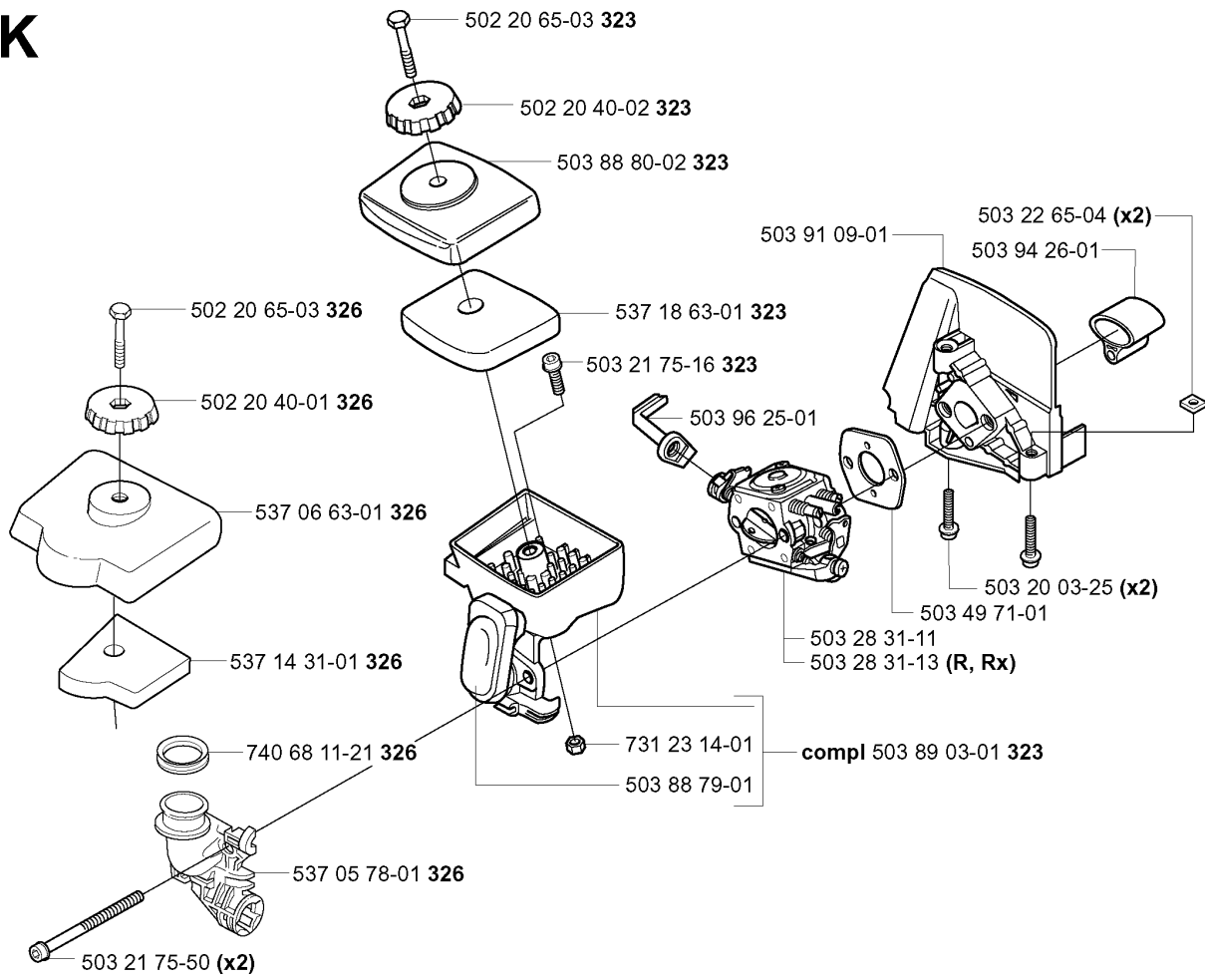


## BEVEL GEAR

323 L, 2004-03

Part No	Description	Remark	QTY KIT
503 20 07-12	SCREW IHSCFM		1
503 20 07-25	SCREW IHSCFM		1
503 20 14-12	SCREW IHSCFMO		1
503 20 15-01	SCREW IHHM		1
503 25 24-01	BALL BEARING		1
503 85 63-01	NUT		1
503 93 55-01	CLAMP.GUARD		1
537 19 92-02	BEVEL GEAR ASSY		1
537 23 49-01	DRIVER ASSY		1
537 28 56-01	SUPPORT FLANGE		1
537 29 26-01	CUP		1
725 23 70-51	SCREW		1
735 31 11-00	CIRCLIP		1
735 31 25-10	CIRCLIP		1
735 31 28-10	CIRCLIP		1
738 21 98-00	BALL BEARING		1
738 21 99-00	BALL BEARING		1
738 21 99-02	BALL BEARING		1

**K**



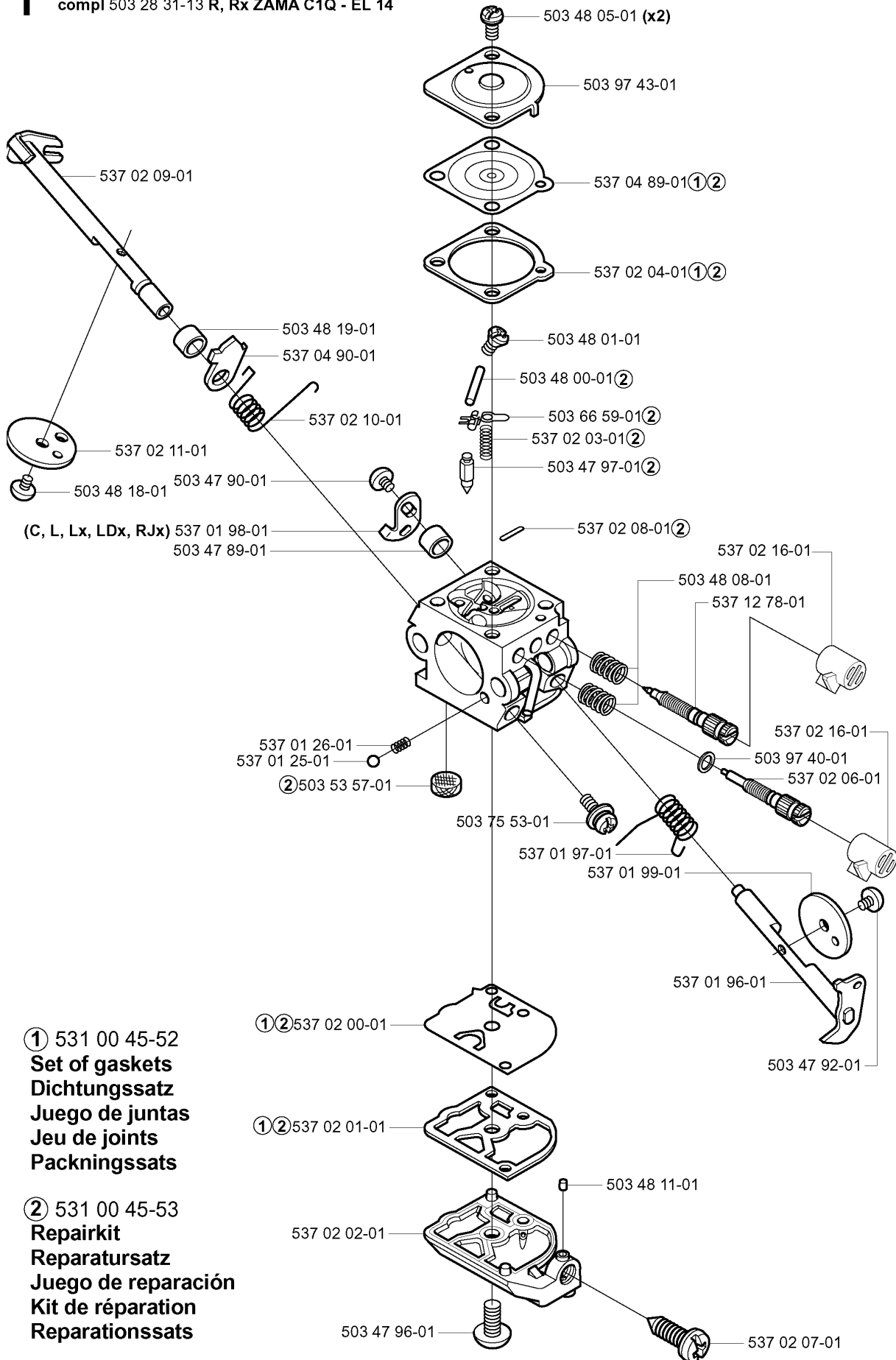


## CARBURETOR &amp; AIR FILTER

323 L, 2004-03

Part No	Description	Remark	QTY KIT
502 20 40-01	KNOB	326	1
502 20 40-02	KNOB	323	1
502 20 65-03	SCREW EHHM	326	1
502 20 65-03	SCREW EHHM	323	1
503 20 03-25	SCREW IHSCFM		2
503 21 75-16	SCREW IHSCFT	323	1
503 21 75-50	SCREW IHSCFT		2
503 22 65-04	SQUARE NUT		2
503 28 31-11	CARBURETTOR		1
503 28 31-13	CARBURETTOR	R, RX	1
503 49 71-01	GASKET		1
503 88 79-01	HUB CAP		1
503 88 80-02	FILTER COVER	323	1
503 89 03-01	FILTERBLOCK ASSY	323	1
503 91 09-01	INSULATION WALL		1
503 94 26-01	INLET PIPE		1
503 96 25-01	CHOKE CONTROL		1
537 05 78-01	BRACKET	326	1
537 06 63-01	FILTER COVER	326	1
537 14 31-01	AIR FILTER ASSY	326	1
537 18 63-01	AIR FILTER	323	1
731 23 14-01	HEXAGON NUT		1
740 68 11-21	V-RING	326	1

**T** compl 503 28 31-11 C, L, Lx, LDx, RJx ZAMA C1Q - EL 12  
 compl 503 28 31-13 R, Rx ZAMA C1Q - EL 14



① 531 00 45-52  
**Set of gaskets**  
**Dichtungssatz**  
**Juego de juntas**  
**Jeu de joints**  
**Packningssats**

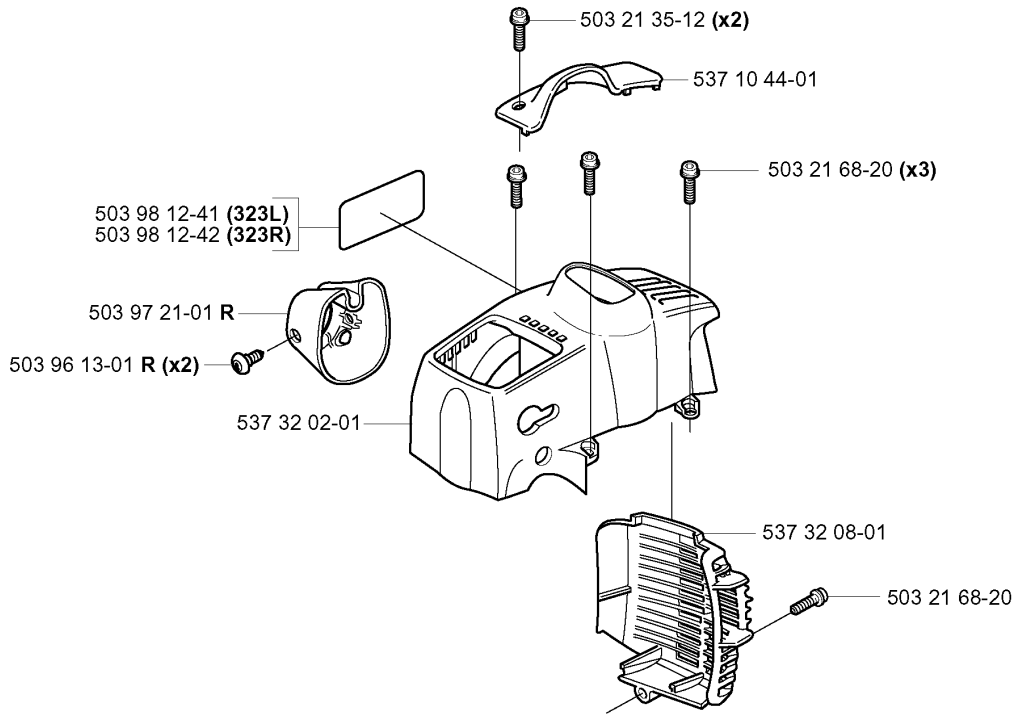
② 531 00 45-53  
**Repairkit**  
**Reparatursatz**  
**Juego de reparación**  
**Kit de réparation**  
**Reparationssts**

## CARBURETOR DETAILS

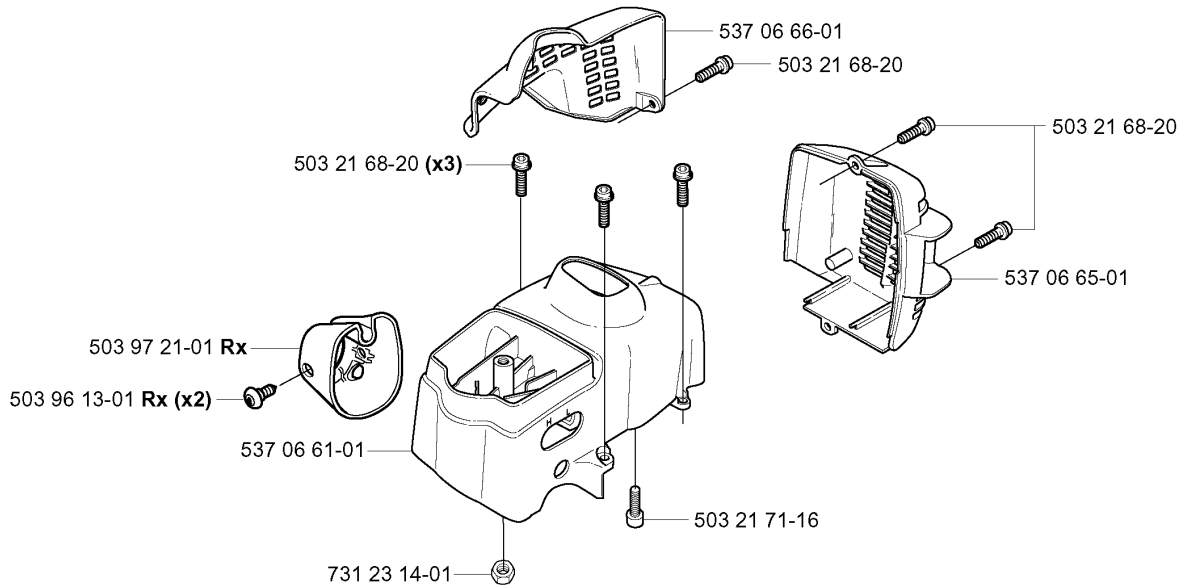
323 L, 2004-03

Part No	Description	Remark	QTY KIT
503 28 31-11	CARBURETTOR	C, L, LX, LDX, RJX ZAMA C1Q - EL 12	1
503 28 31-13	CARBURETTOR	R, RX ZAMA C1Q - EL 14	1
503 47 89-01	COLLAR		1
503 47 90-01	SCREW		1
503 47 92-01	SCREW		1
503 47 96-01	SCREW		1
503 47 97-01	VALVE	531 00 45-53 REPAIRKIT	1
503 48 00-01	PIN RETAINING SCREW	531 00 45-53 REPAIRKIT	1
503 48 01-01	SCREW		1
503 48 05-01	SCREW		2
503 48 08-01	SPRING		1
503 48 11-01	PIECE		1
503 48 18-01	SCREW		1
503 48 19-01	COLLAR		1
503 53 57-01	STRAINER	531 00 45-53 REPAIRKIT	1
503 66 59-01	LEVER	531 00 45-53 REPAIRKIT	1
503 75 53-01	SCREW		1
503 97 40-01	WASHER		1
503 97 43-01	COVER		1
537 01 25-01	BALL		1
537 01 26-01	SPRING		1
537 01 96-01	SHAFT ASSY		1
537 01 97-01	SPRING		1
537 01 98-01	LEVER	C, L, LX, LDX, RJX	1
537 01 99-01	VALVE		1
537 02 00-01	DIAPHRAGM PUMP	531 00 45-52 SET OF GASKETS 531 00 45-53 REPAIRKIT	1
537 02 01-01	GASKET	531 00 45-52 SET OF GASKETS 531 00 45-53 REPAIRKIT	1
537 02 02-01	COVER		1
537 02 03-01	SPRING	531 00 45-53 REPAIRKIT	1
537 02 04-01	GASKET	531 00 45-52 SET OF GASKETS 531 00 45-53 REPAIRKIT	1
537 02 06-01	SCREW		1
537 02 07-01	SCREW		1
537 02 08-01	PLUG	531 00 45-53 REPAIRKIT	1
537 02 09-01	SHAFT ASSY		1
537 02 10-01	SPRING		1
537 02 11-01	VALVE		1
537 02 16-01	LIMITER CAP		1
537 02 16-01	LIMITER CAP		1
537 04 89-01	DIAPHRAGM	531 00 45-52 SET OF GASKETS 531 00 45-53 REPAIRKIT	1
537 04 90-01	LEVER		1
537 12 78-01	SCREW		1

**H** 323L, R



**J** 326C, L, Lx, LDx, RX, RJx

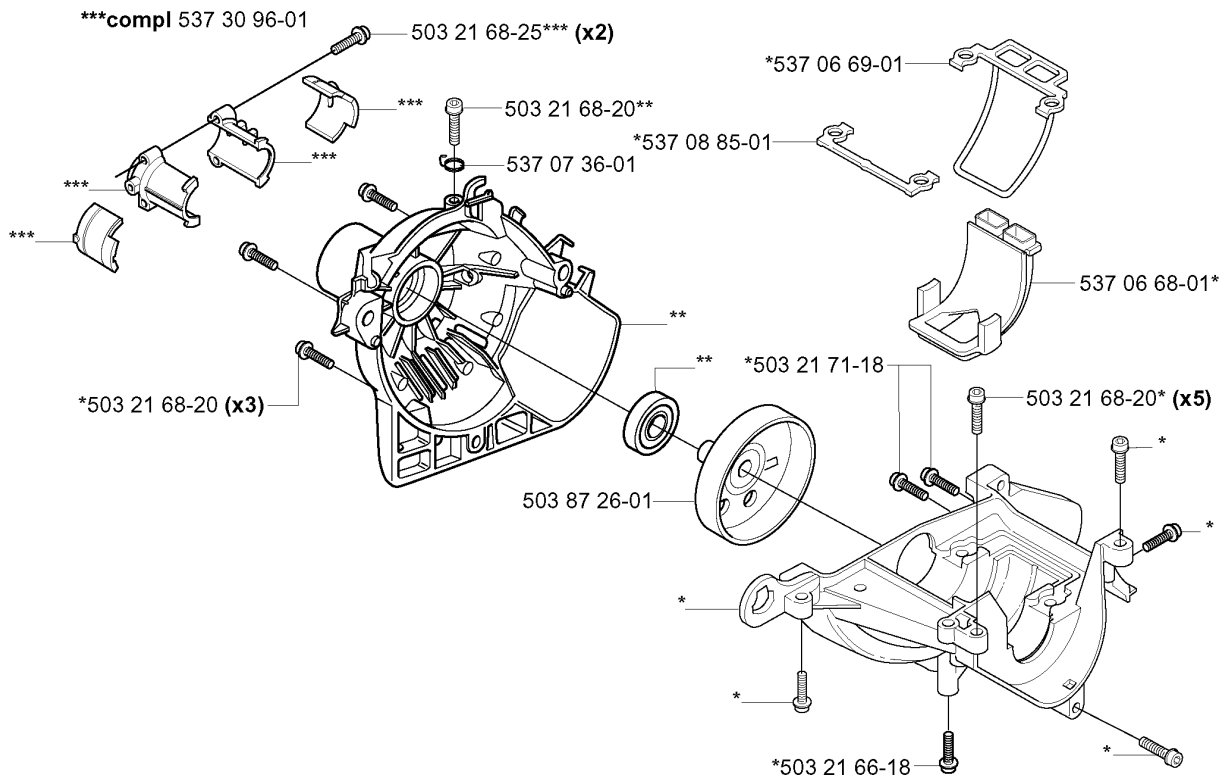


## COVER

323 L, 2004-03

Part No	Description	Remark	QTY KIT
503 21 68-20	SCREW IHSCFT		3
503 21 68-20	SCREW IHSCFT		1
503 21 68-20	SCREW IHSCFT		1
503 21 71-16	SCREW IHSCFT		1
503 96 13-01	SCREW	RX	2
503 97 21-01	COVER	RX	1
537 06 61-01	CYLINDER COVER		1
537 06 65-01	HEAT PROTECTOR		1
537 06 66-01	ARM PROTECTION		1
731 23 14-01	HEXAGON NUT		1

**Q** \*compl 537 08 52-01  
\*\*compl 537 04 12-03

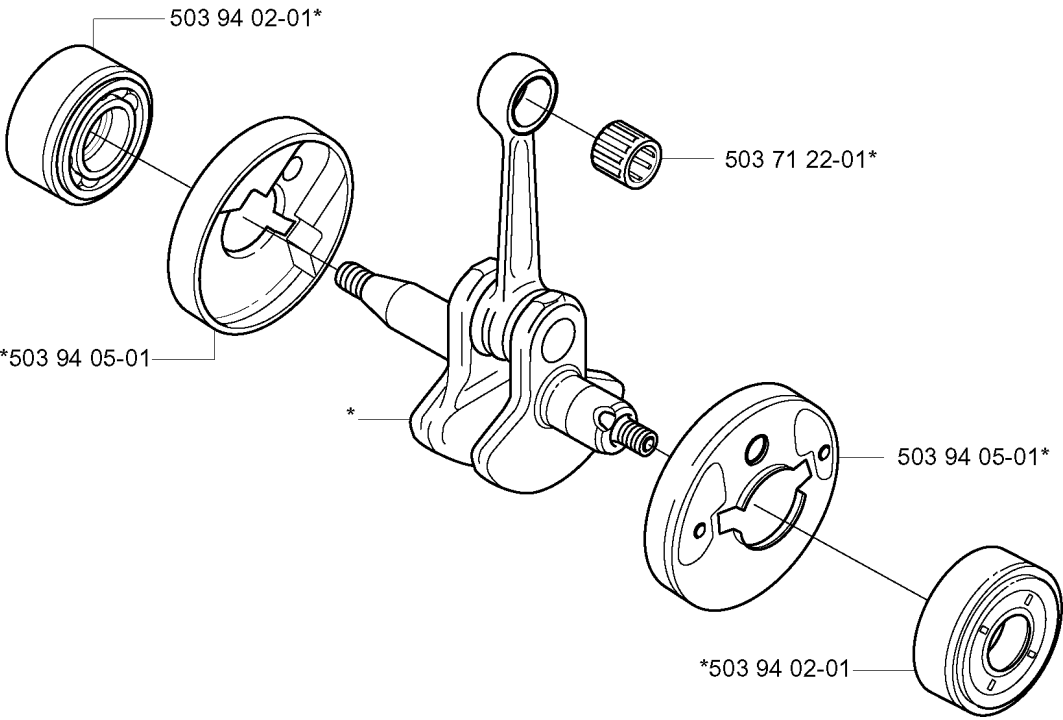


## CRANKCASE

323 L, 2004-03

Part No	Description	Remark	QTY KIT
503 21 66-18	SCREW IHSC T		1
503 21 68-20	SCREW IHSC FT		3
503 21 68-20	SCREW IHSC FT		5
503 21 68-20	SCREW IHSC FT		1
503 21 68-25	SCREW IHSC FT		2
503 21 71-18	SCREW IHSC T		1
503 87 26-01	CLUTCH DRUM ASSY		1
537 04 12-03	CLUTCH COVER		1
537 06 68-01	INSERT CRANKCASE		1
537 06 69-01	GASKET CRANKCASE		1
537 07 36-01	SPRING		1
537 08 52-01	CRANKCASE		1
537 08 85-01	GASKET		1
537 30 96-01	COMPRESSION SLEEVE		1

**R** \*compl 503 85 24-74

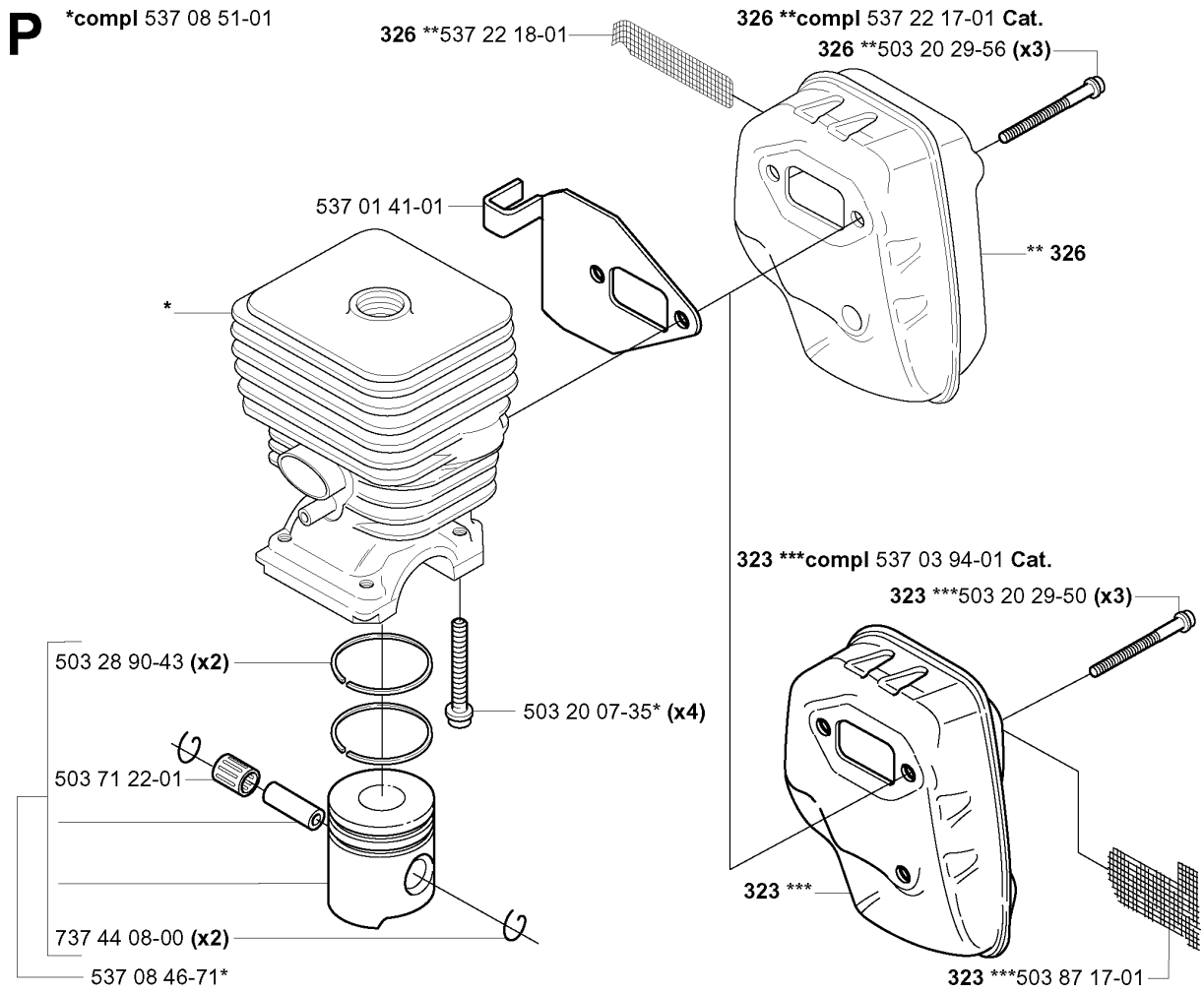




## CRANKSHAFT

323 L, 2004-03

Part No	Description	Remark	QTY KIT
503 71 22-01	BEARING		1
503 85 24-74	CRANKSHAFT ASSY		1
503 94 02-01	BEARING CAGE		1
503 94 02-01	BEARING CAGE		1
503 94 05-01	CUP		1
503 94 05-01	CUP		1

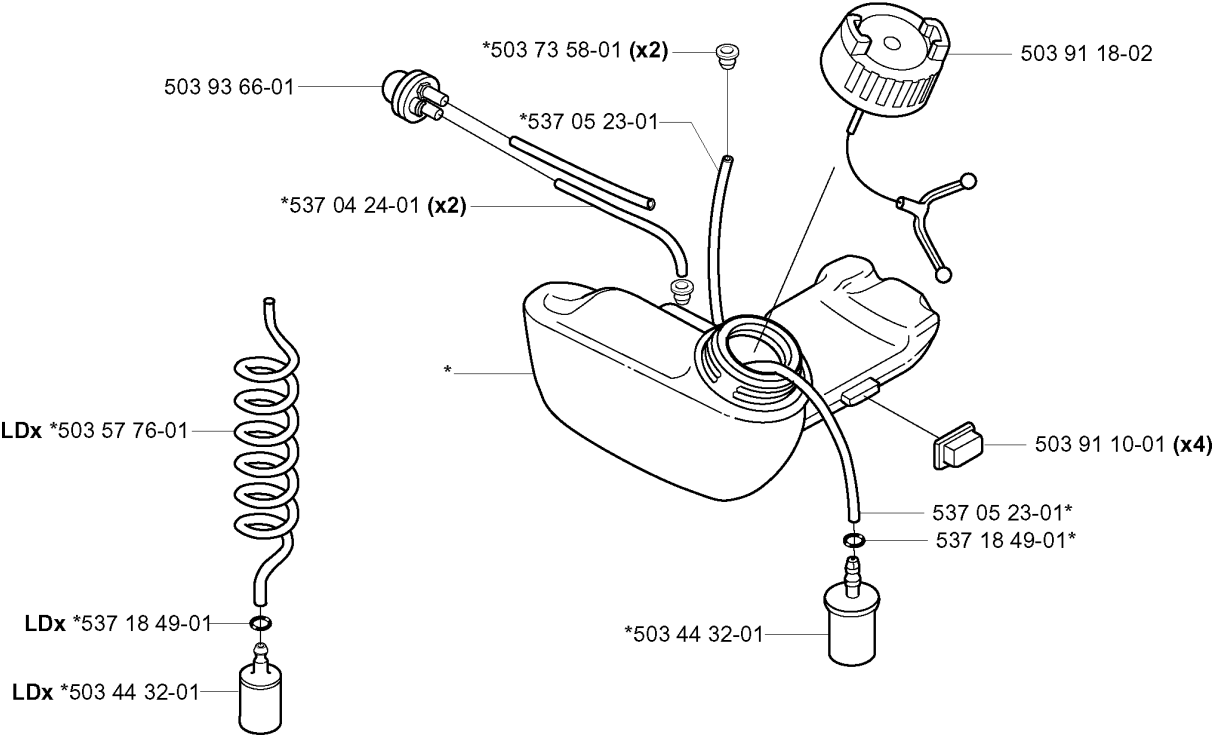


## CYLINDER PISTON

323 L, 2004-03

Part No	Description	Remark	QTY KIT
503 20 07-35	SCREW IHSCFM		4
503 20 29-50	SCREW IHSCFM	323	3
503 20 29-56	SCREW IHSCFM	326	3
503 28 90-43	PISTON RING		2
503 71 22-01	BEARING		1
503 87 17-01	SPARK ARRESTER SCREEN	323	1
537 01 41-01	GASKET		1
537 03 94-01	MUFFLER ASSY	323 CAT.	1
537 08 46-71	PISTON		1
537 08 51-01	PISTON		1
537 22 17-01	MUFFLER ASSY	326 CAT.	1
537 22 18-01	SPARK ARRESTER SCREEN	326	1
737 44 08-00	CIRCLIP		2

**M** \*compl 537 06 86-01 C, L, Lx, R, RJx, Rx  
\*compl 537 06 86-02 LDx

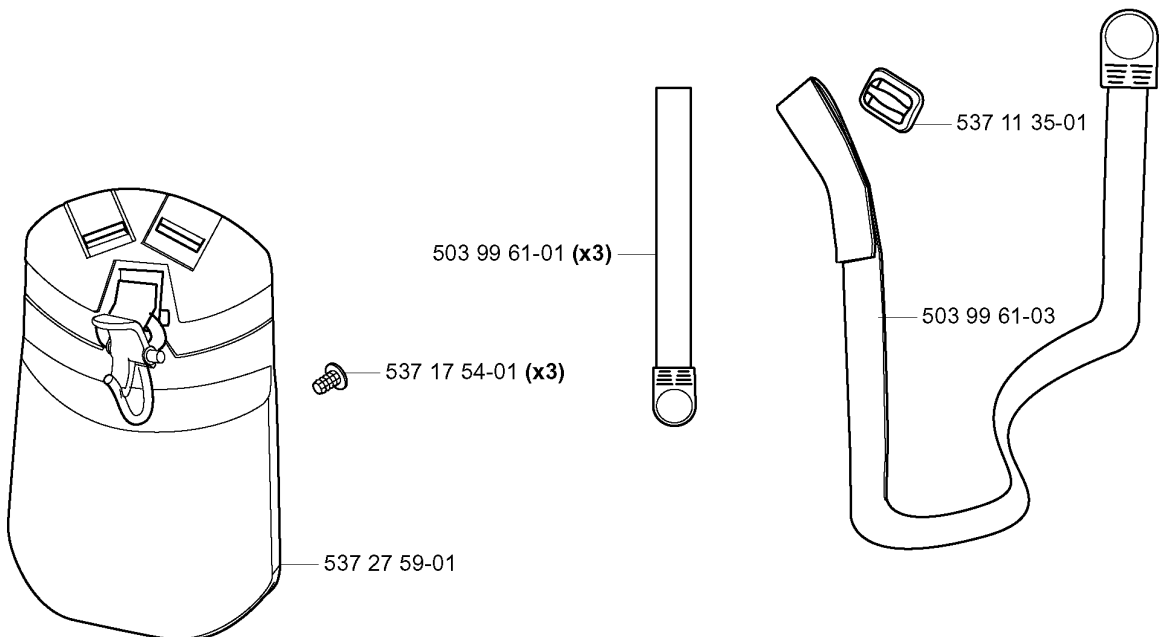
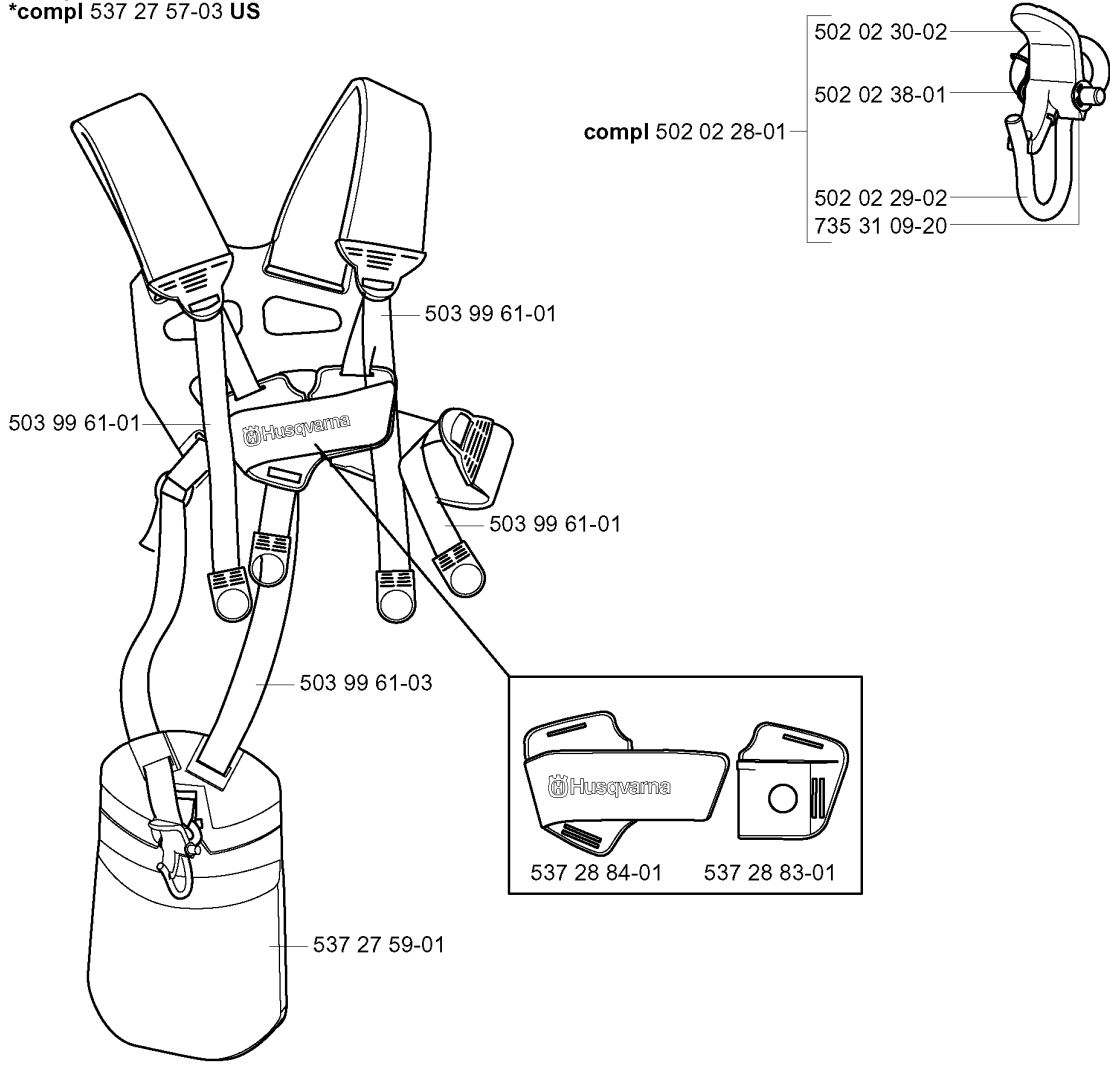


## FUEL TANK

323 L, 2004-03

Part No	Description	Remark	QTY KIT
503 44 32-01	FILTER	LDX	1
503 44 32-01	FILTER		1
503 57 76-01	FUEL HOSE	LDX	1
503 73 58-01	BUSHING		2
503 91 10-01	SUSPENSION		4
503 91 18-02	TANK CAP		1
503 93 66-01	PRIMER HOUSING		1
537 04 24-01	FUEL HOSE		2
537 05 23-01	FUEL HOSE		1
537 05 23-01	FUEL HOSE		1
537 06 86-01	FUEL TANK	C, L, LX, R, RJX, RX	1
537 06 86-02	FUEL TANK	LDX	1
537 18 49-01	O-RING	LDX	1
537 18 49-01	O-RING		1

**S** Duo Balance  
\*compl 537 27 57-01  
\*compl 537 27 57-03 US



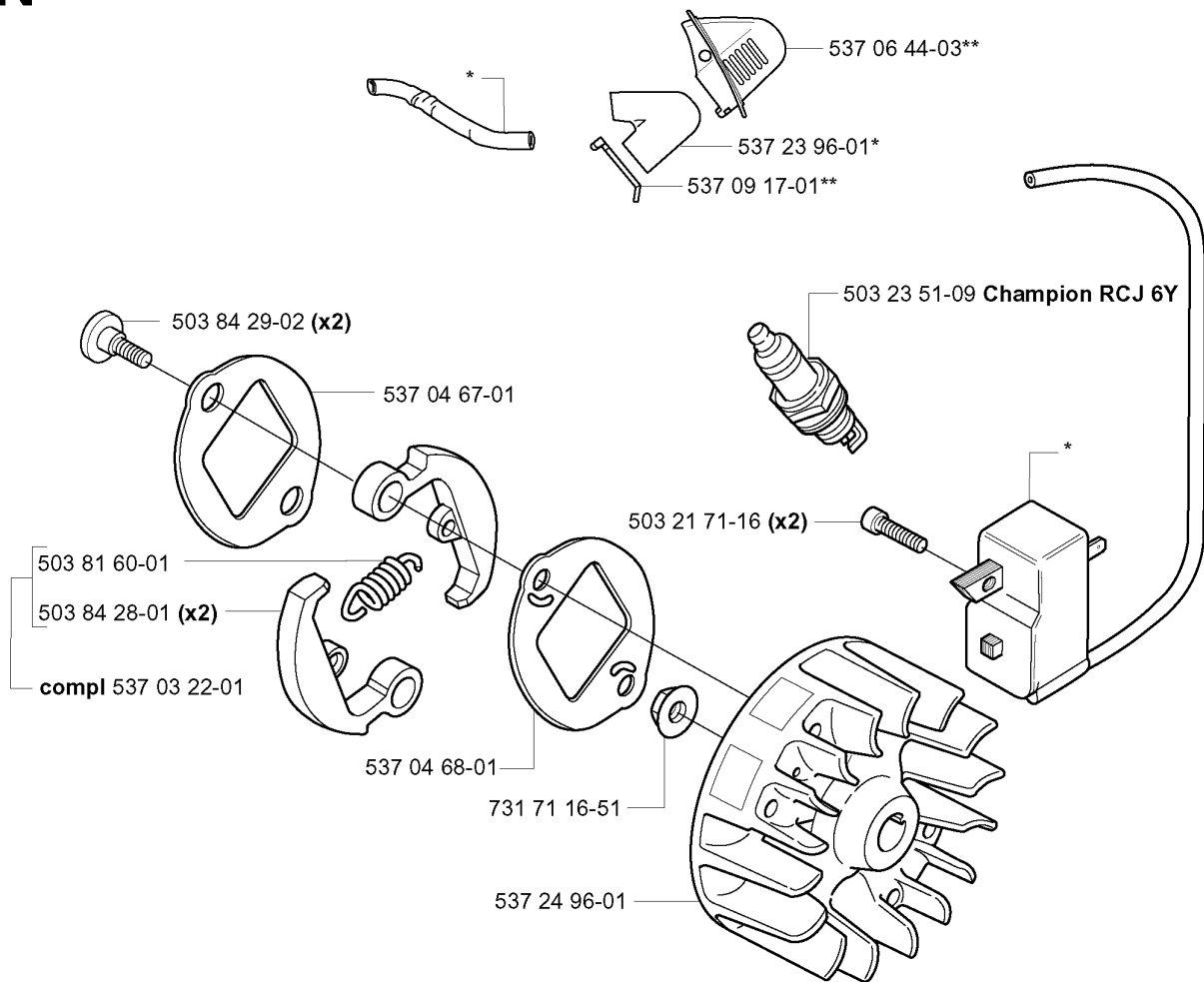
## HARNESS

323 L, 2004-03

Part No	Description	Remark	QTY KIT
502 02 28-01	HARNESS		1
502 02 29-02	HARNESS		1
502 02 30-02	HARNESS		1
502 02 38-01	HARNESS		1
503 99 61-01	HARNESS		1
503 99 61-01	HARNESS		3
503 99 61-01	HARNESS		1
503 99 61-01	HARNESS		1
503 99 61-03	BAND		1
503 99 61-03	BAND		1
537 11 35-01	RETAINER		1
537 17 54-01	HARNESS		3
537 27 57-01	HARNESS		1
537 27 57-03	HARNESS	US	1
537 27 59-01	HIP PAD		1
537 27 59-01	HIP PAD		1
537 28 83-01	FRONT PIECE		1
537 28 84-01	FRONT PIECE		1
735 31 09-20	HARNESS		1

**N** \*compl 537 04 23-01

\*\*compl 537 06 33-02 (326)

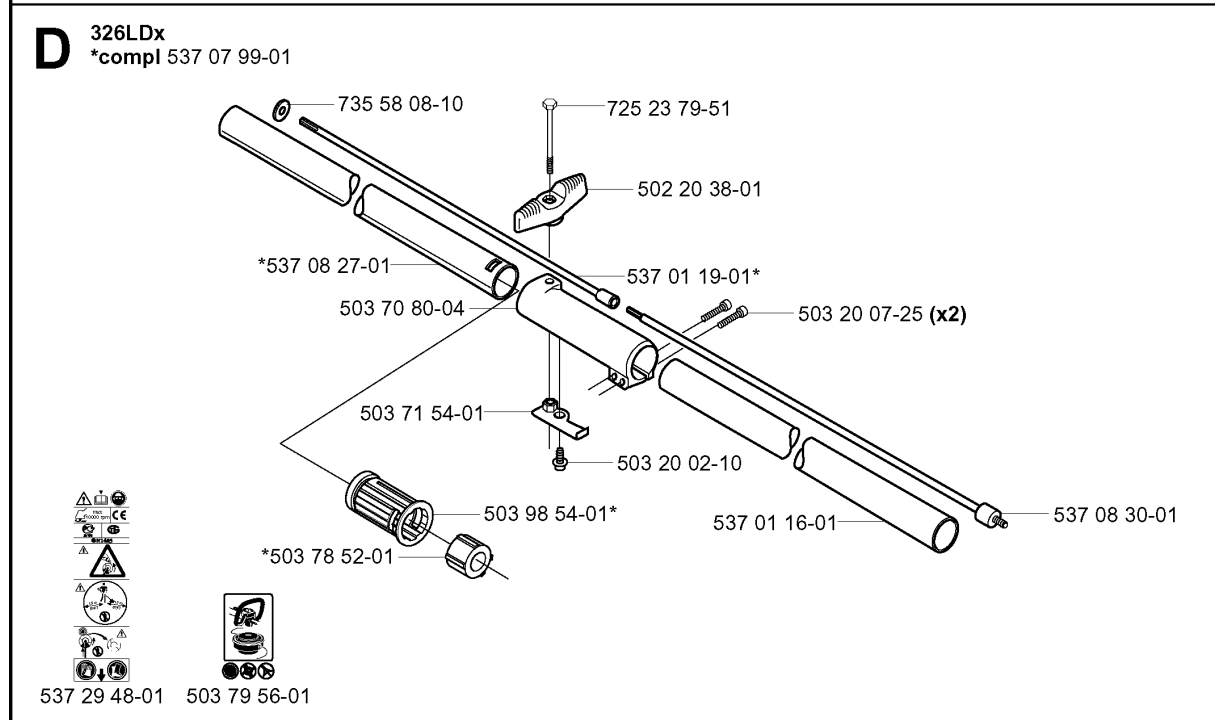
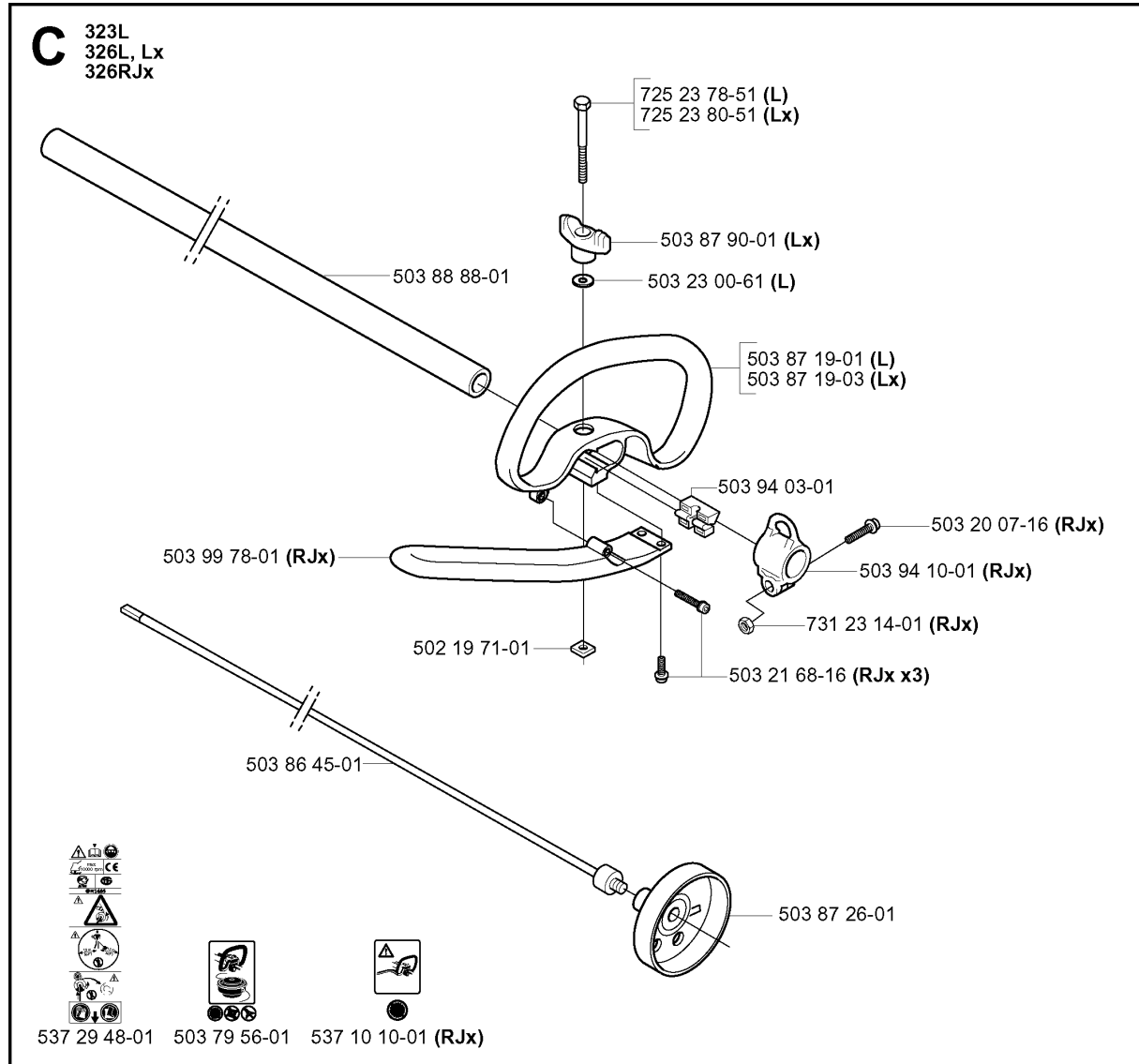




## IGNITION SYSTEM &amp; CLUTCH

323 L, 2004-03

Part No	Description	Remark	QTY KIT
503 21 71-16	SCREW IHSCT		2
503 23 51-09	SPARK PLUG	CHAMPION RCJ 6Y	1
503 81 60-01	CLUTCH SPRING		1
503 84 28-01	CLUTCH SHOE		2
503 84 29-02	SCREW		2
537 03 22-01	CLUTCH ASSY		1
537 04 23-01	ELECTRONIC MODULE		1
537 04 67-01	WASHER		1
537 04 68-01	WASHER		1
537 06 33-02	COVER	326	1
537 06 44-03	COVER		1
537 09 17-01	SECURING PLATE		1
537 23 96-01	SPARK PLUG CAP		1
537 24 96-01	FLYWHEEL		1
731 71 16-51	HEXAGON NUT FLANGE		1



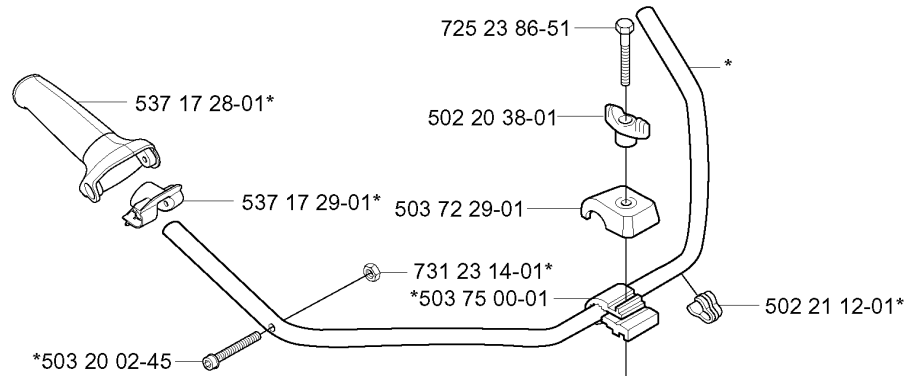
## SHAFT

323 L, 2004-03

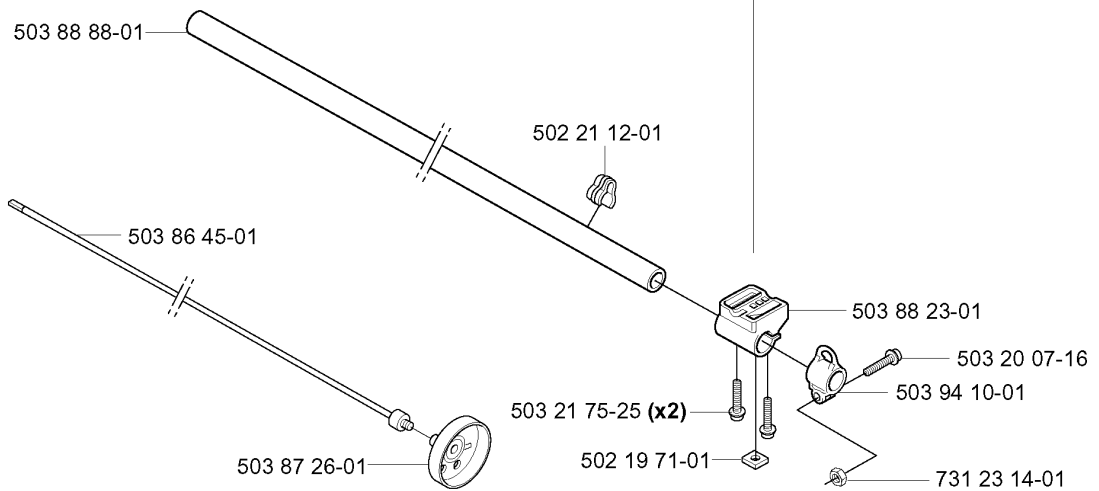
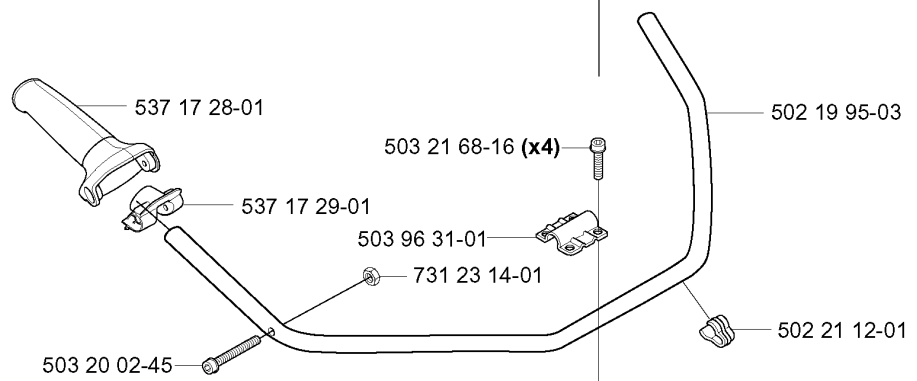
Part No	Description	Remark	QTY KIT
502 20 38-01	KNOB		1
503 20 02-10	SCREW IHSCFM		1
503 20 07-25	SCREW IHSCFM		2
503 70 80-04	COMPRESSION SLEEVE		1
503 71 54-01	LOCKING PLATE		1
503 78 52-01	SUPPORTING BEARING		1
503 79 56-01	LABEL		1
503 98 54-01	BEARING CAGE		1
537 01 16-01	TUBE		1
537 01 19-01	DRIVE SHAFT		1
537 07 99-01	TUBE		1
537 08 27-01	TUBE		1
537 08 30-01	DRIVE SHAFT		1
537 29 48-01	LABEL		1
725 23 79-51	SCREW EHHM		1
735 58 08-10	LOCKWASHER		1

**E** 323R  
326Rx  
\*compl 503 72 43-09

**326Rx**



**323R**

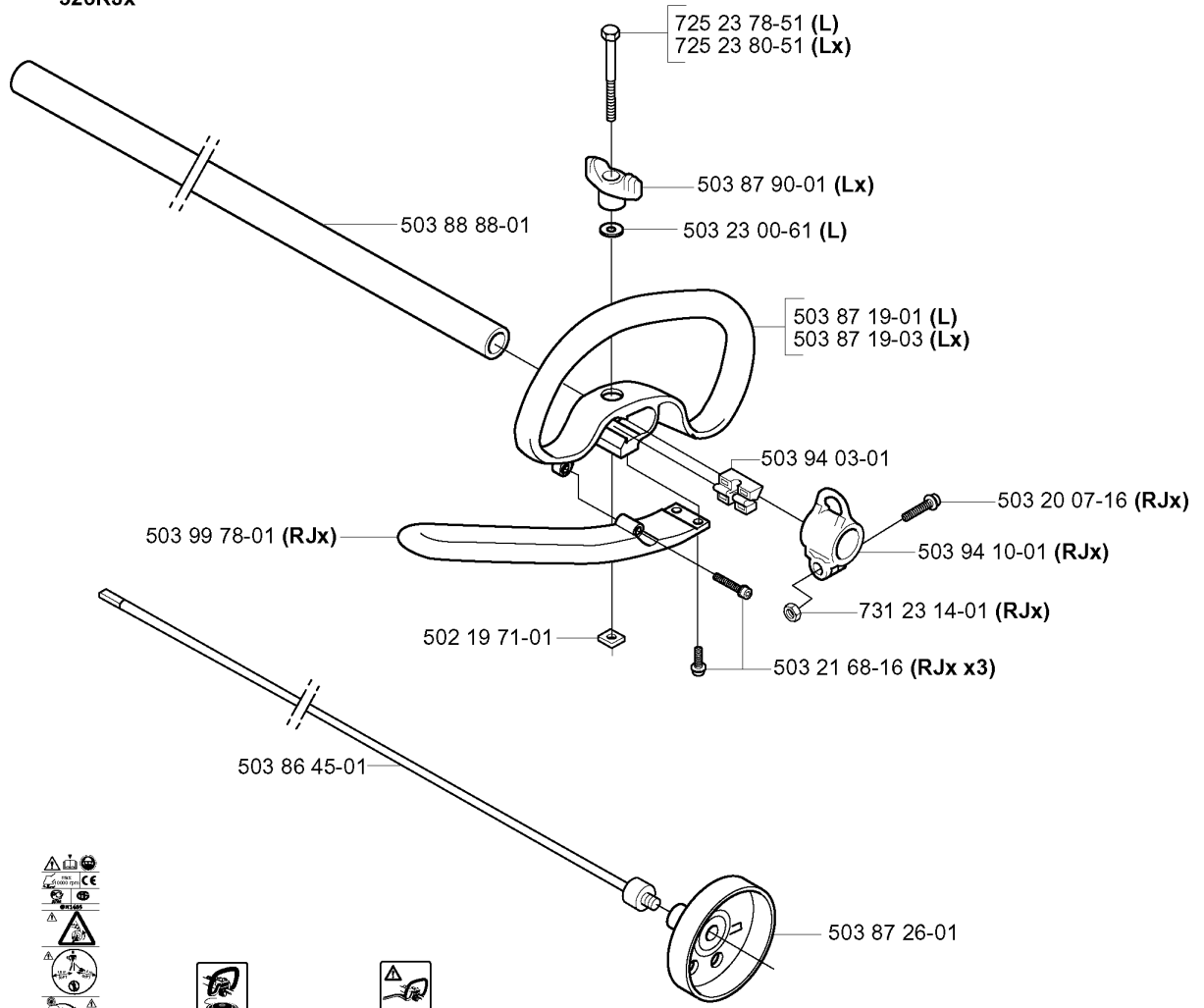


## SHAFT &amp; HANDLE

323 L, 2004-03

Part No	Description	Remark	QTY KIT
502 19 71-01	SQUARE NUT		1
502 19 95-03	HANDLEBAR		1
502 20 38-01	KNOB		1
502 21 12-01	STAPLE		1
502 21 12-01	STAPLE		1
502 21 12-01	STAPLE		1
503 20 02-45	SCREW IHSCFM		1
503 20 02-45	SCREW IHSCFM		1
503 20 07-16	SCREW IHSCFM		1
503 21 68-16	SCREW IHSCFT		4
503 21 75-25	SCREW IHSCFT		2
503 72 29-01	COVER		1
503 72 43-09	HANDLEBAR		1
503 75 00-01	HANDLEBAR BRACKET		1
503 86 45-01	DRIVE SHAFT		1
503 87 26-01	CLUTCH DRUM ASSY		1
503 88 23-01	BRACKET		1
503 88 88-01	TUBE		1
503 94 10-01	HOOK		1
503 96 31-01	BRACKET		1
537 17 28-01	HANDLE		1
537 17 28-01	HANDLE		1
537 17 29-01	COVER		1
537 17 29-01	COVER		1
537 29 48-01	LABEL		1
725 23 86-51	SCREW EHHM		1
731 23 14-01	HEXAGON NUT		1
731 23 14-01	HEXAGON NUT		1
731 23 14-01	HEXAGON NUT		1

**C** 323L  
326L, Lx  
326RJx



537 29 48-01

503 79 56-01

537 10 10-01 (RJx)

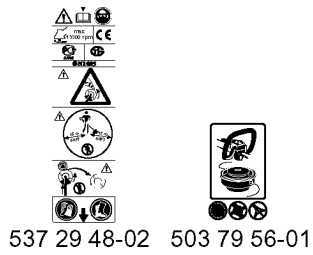
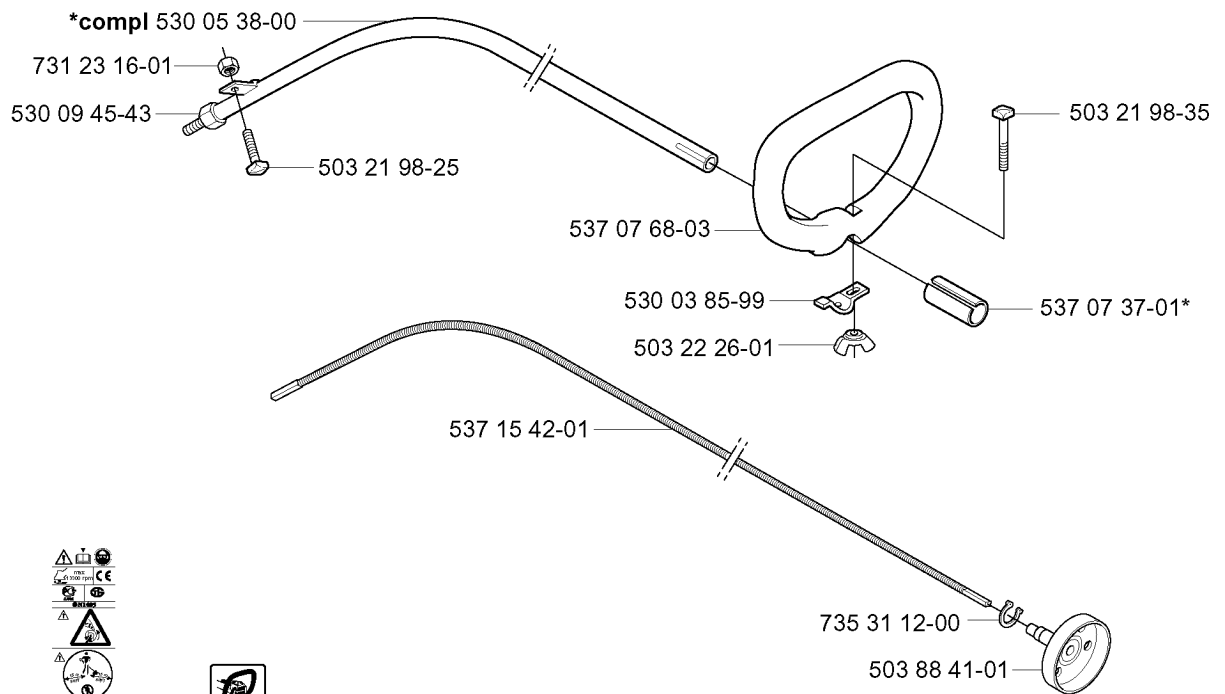
A vertical column of safety icons on the left, including a triangle with an exclamation mark, a triangle with a lightning bolt, a triangle with a hand, and a triangle with a hand and a lightning bolt. Below these are three circular icons: a hand holding a tool, a hand holding a tool with a warning symbol, and a hand holding a tool with a warning symbol.

## SHAFT &amp; HANDLE

323 L, 2004-03

Part No	Description	Remark	QTY KIT
502 19 71-01	SQUARE NUT		1
503 20 07-16	SCREW IHSCFM	RJX	1
503 21 68-16	SCREW IHSCF	RJX X3	1
503 23 00-61	WASHER	L	1
503 79 56-01	LABEL		1
503 86 45-01	DRIVE SHAFT		1
503 87 19-01	HANDLE.LOOP	L	1
503 87 19-03	HANDLE	LX	1
503 87 26-01	CLUTCH DRUM ASSY		1
503 87 90-01	KNOB	LX	1
503 88 88-01	TUBE		1
503 94 03-01	DISTANCE		1
503 94 10-01	HOOK	RJX	1
503 99 78-01	HANDLE	RJX	1
537 10 10-01	LABEL	RJX	1
537 29 48-01	LABEL		1
725 23 78-51	SCREW EHHM	L	1
725 23 80-51	SCREW EHHM	LX	1
731 23 14-01	HEXAGON NUT	RJX	1

**B** 326C

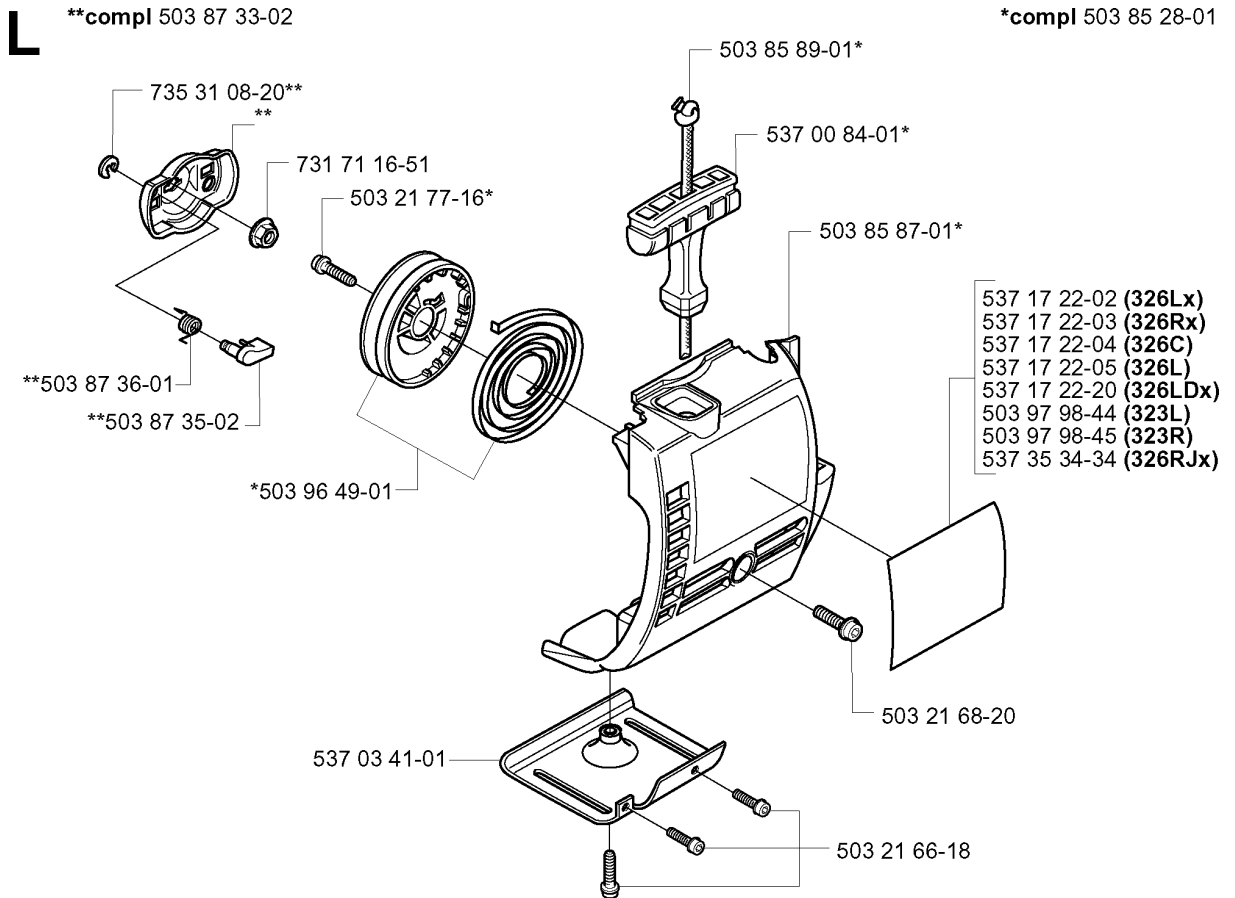




## SHAFT &amp; HANDLE

323 L, 2004-03

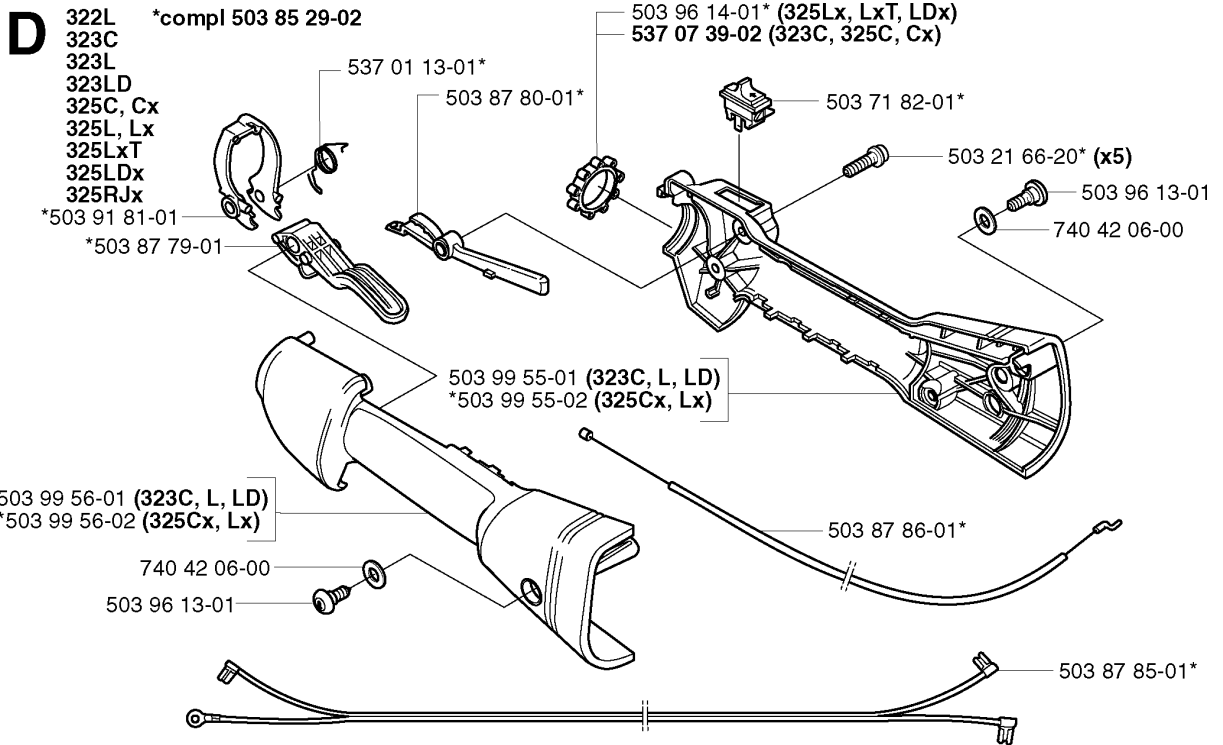
Part No	Description	Remark	QTY KIT
503 21 98-25	SCREW		1
503 21 98-35	SCREW		1
503 22 26-01	NUT		1
503 79 56-01	LABEL		1
503 88 41-01	CLUTCH DRUM		1
530 03 85-99	BRACKET		1
530 05 38-00	SHAFT		1
530 09 45-43	DRIVER		1
537 07 37-01	SPACING TUBE		1
537 07 68-03	HANDLE		1
537 15 42-01	SHAFT		1
537 29 48-02	LABEL		1
731 23 16-01	HEXAGON NUT		1
735 31 12-00	CIRCLIP		1



## STARTER

323 L, 2004-03

Part No	Description	Remark	QTY KIT
503 21 66-18	SCREW IHSC T		1
503 21 68-20	SCREW IHSC FT		1
503 21 77-16	SCREW IHSC T		1
503 85 28-01	STARTER ASSY		1
503 85 87-01	STARTER HOUSING		1
503 85 89-01	STARTER CORD		1
503 87 33-02	BRIDGE		1
503 87 35-02	STARTER PAWL		1
503 87 36-01	SPRING		1
503 96 49-01	STARTER PULLEY		1
503 97 98-44	DECAL	323L	1
503 97 98-45	DECAL	323R	1
537 00 84-01	STARTER HANDLE		1
537 03 41-01	PROTECTIVE PLATE		1
537 17 22-02	LABEL	326LX	1
537 17 22-03	LABEL	326RX	1
537 17 22-04	LABEL	326C	1
537 17 22-05	LABEL	326L	1
537 17 22-20	LABEL	326LDX	1
537 35 34-34	LABEL	326RJX	1
731 71 16-51	HEXAGON NUT FLANGE		1
735 31 08-20	E-CLIP		1



## THROTTLE CONTROLS

323 L, 2004-03

Part No	Description	Remark	QTY KIT
503 21 66-20	SCREW IHSCT		5
503 71 82-01	SWITCH		1
503 85 29-02	HANDLE		1
503 87 79-01	THROTTLE TRIGGER		1
503 87 80-01	THROTTLE LOCKOUT		1
503 87 85-01	SHORT CIRCUIT CABLE		1
503 87 86-01	THROTTLE WIRE ASSY		1
503 91 81-01	THROTTLE LEVER		1
503 96 13-01	SCREW		1
503 96 13-01	SCREW		1
503 96 14-01	ABSORBER	325LX, LXT, LDX	1
503 99 55-01	HANDLE HALF	323C, L, LD	1
503 99 55-02	HANDLE HALF	325CX, LX	1
503 99 56-01	HANDLE HALF	323C, L, LD	1
503 99 56-02	HANDLE HALF	325CX, LX	1
537 01 13-01	RECOIL SPRING		1
537 07 39-02	ANTIVIBRATION ELEMENT	323C, 325C, CX	1
740 42 06-00	O-RING		1
740 42 06-00	O-RING		1