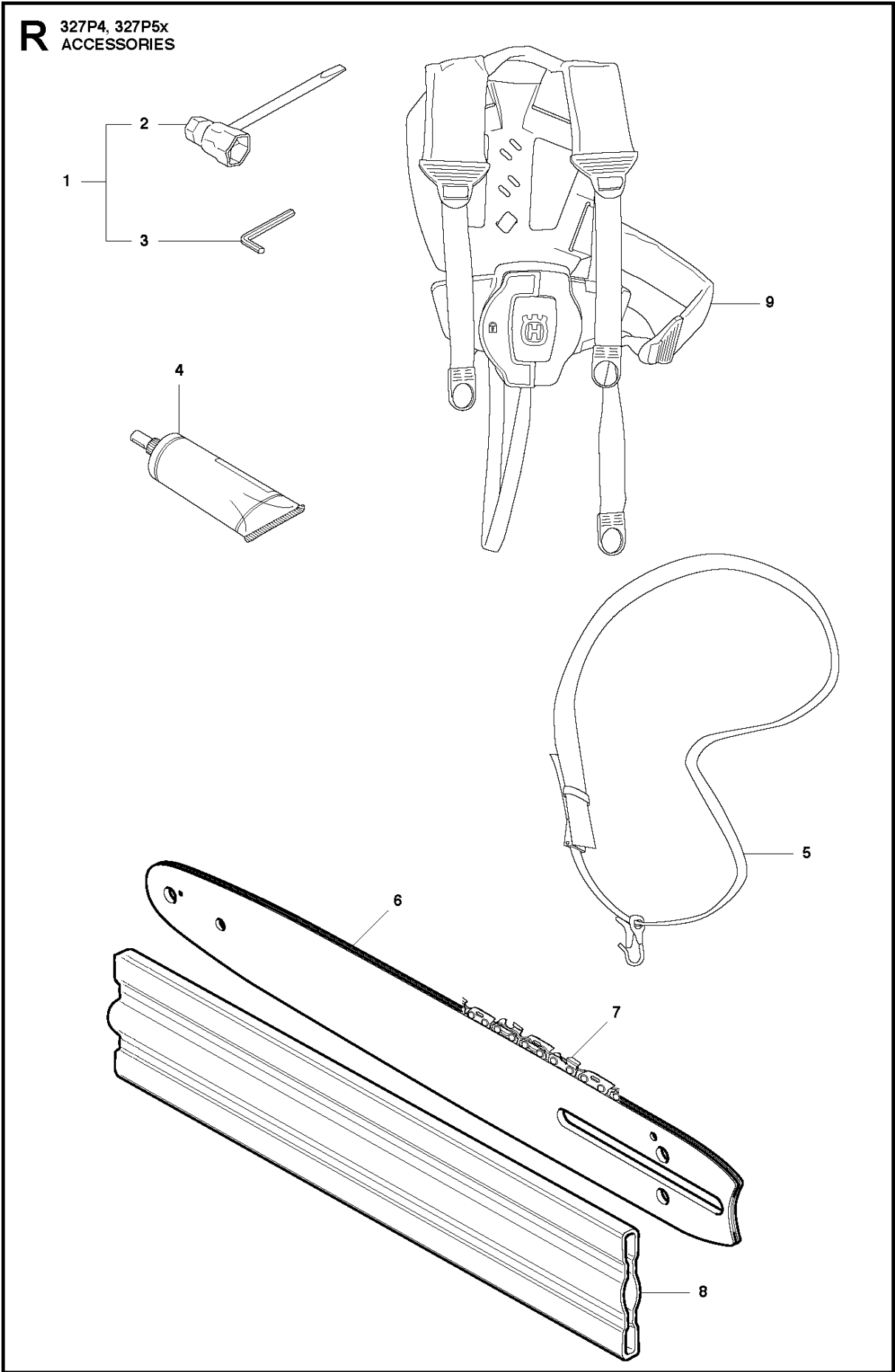




# SPARE PARTS LIST

POLE PRUNER/POLE SAWS

327 P4



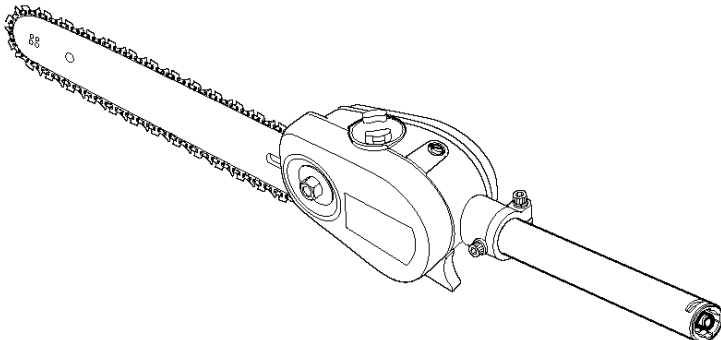
## ACCESSORIES

327 P4

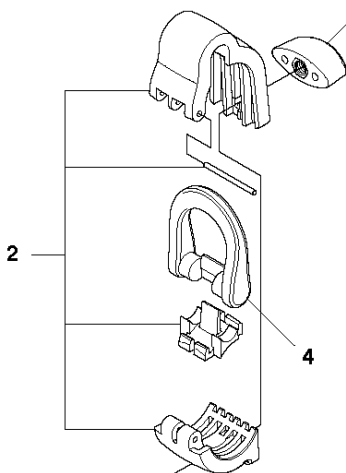
Ref	Part No	Description	Remark	QTY KIT
1	537 04 07-10	ACCESSORY BAG		1
2	501 69 17-01	COMBINATION WRENCH		1
3	502 21 58-01	WRENCH		1
4	503 97 64-01	GREASE		1
5	537 21 62-01	HARNESS		1
6	501 95 92-40	BAR	"(10"")"	1
6	501 95 92-45	BAR	"(12"")"	1
7	576 93 65-40	SAW CHAIN	"(10"")"	1
7	576 93 65-45	SAW CHAIN	"(12"")"	1
8	537 12 99-01	BAR GUARD		1
9	505 20 43-01	HARNESS	Balance flex	1

**T** 327P4, 327P5x  
SAW ATTACHMENT L=110mm

1



3

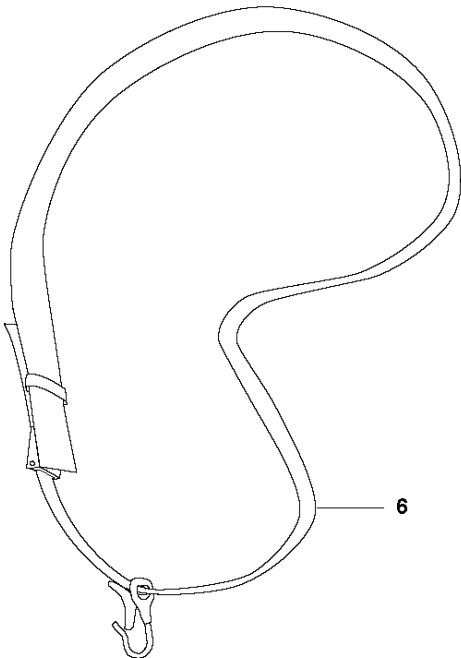


2

4

5

6



7

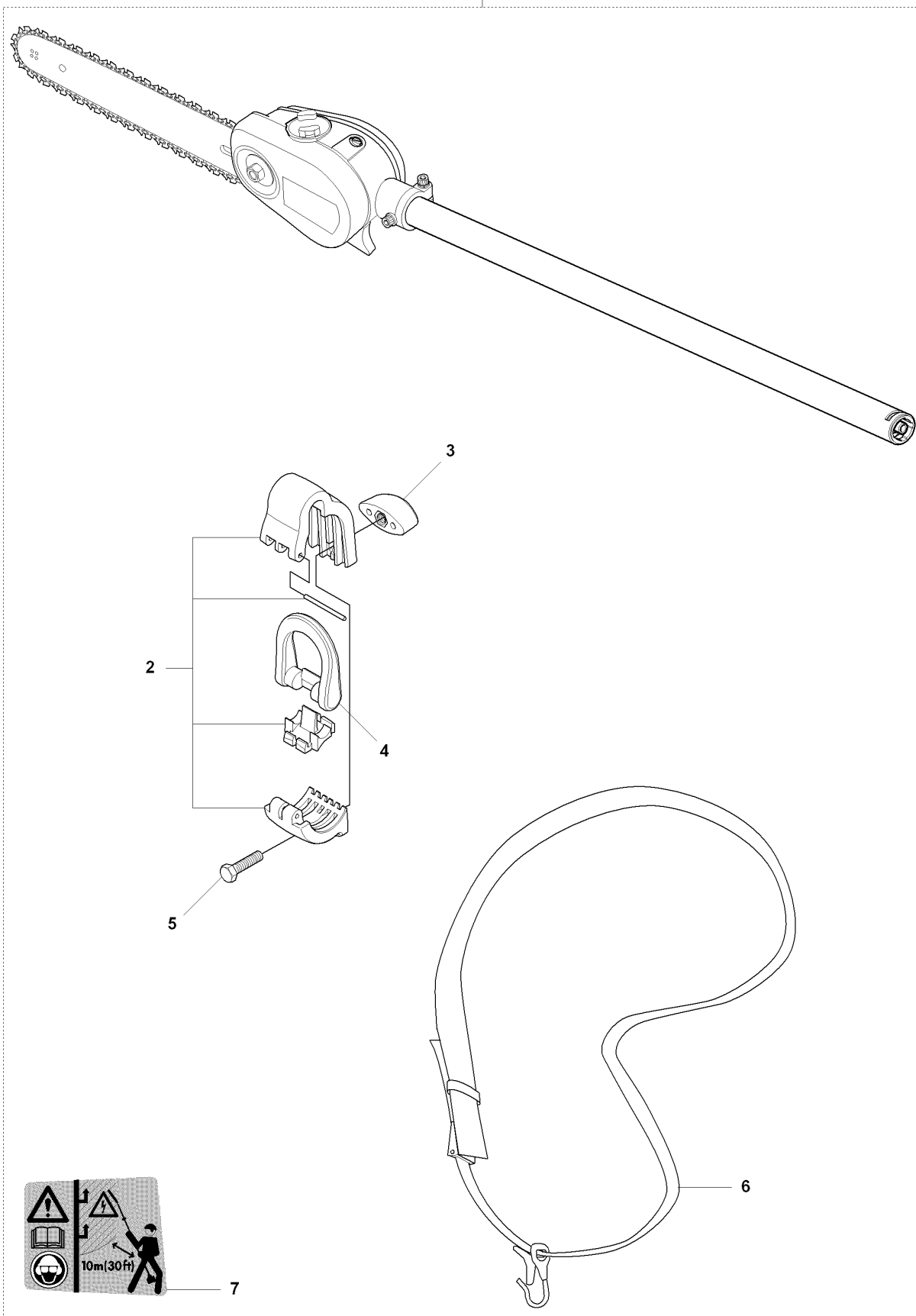
## ATTACHMENTS

327 P4

Ref	Part No	Description	Remark	QTY KIT
1	537 18 33-13	ATTACHMENT		1
2	537 35 36-01	LOOP		1
3	537 13 04-02	KNOB		1
4	537 35 01-01	LOOP		1
5	725 23 31-51	SCREW		1
6	537 21 62-01	HARNESS		1
7	537 38 89-01	LABEL		1

**U** 327P4, 327P5x  
SAW ATTACHMENT L=1100mm

1



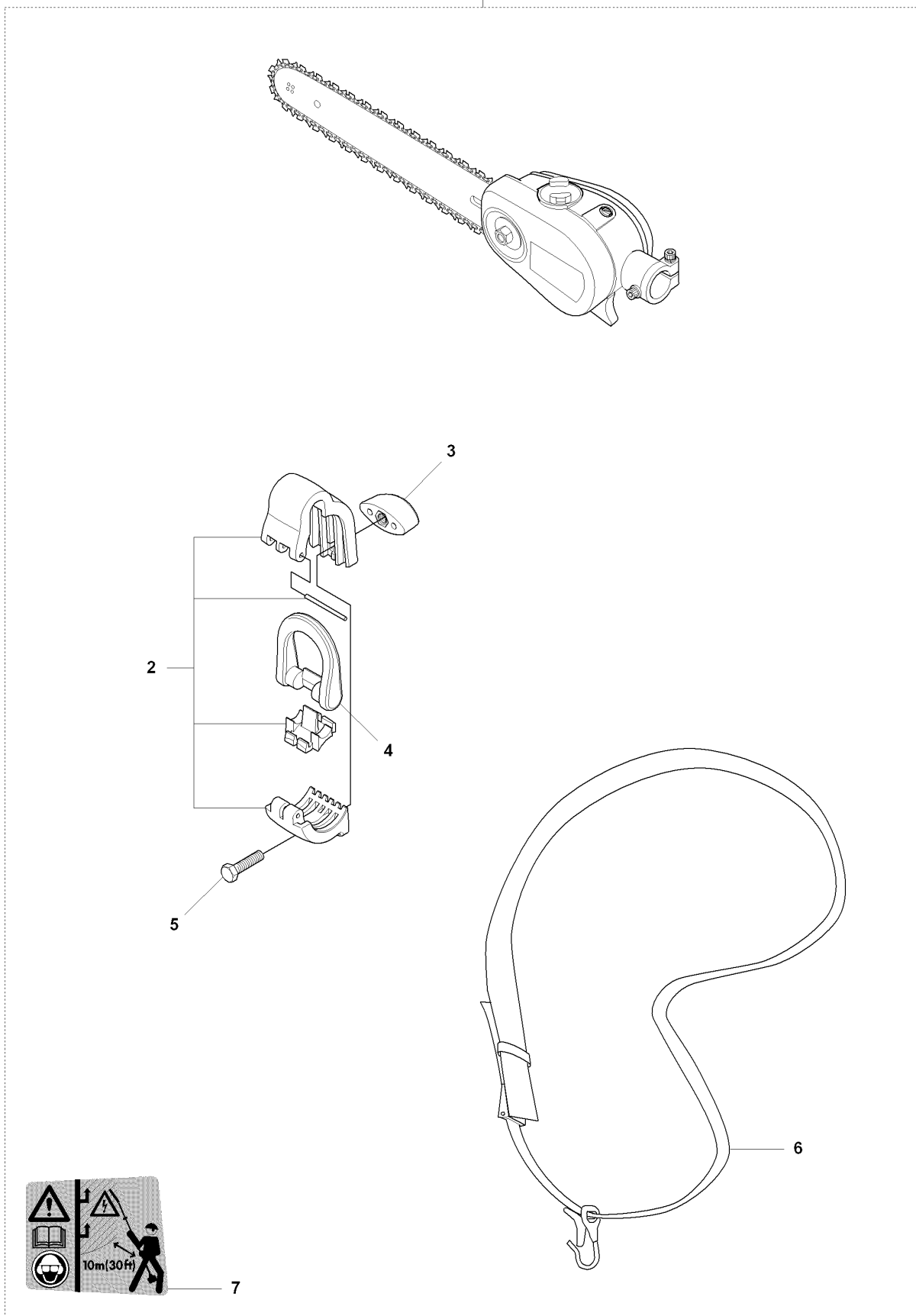
## ATTACHMENTS

327 P4

Ref	Part No	Description	Remark	QTY KIT
1	537 18 33-16	ATTACHMENT		1
2	537 35 36-01	LOOP		1
3	537 13 04-02	KNOB		1
4	537 35 01-01	LOOP		1
5	725 23 31-51	SCREW		1
6	537 21 62-01	HARNESS		1
7	537 38 89-01	LABEL		1

**S** 327P4, 327P5x  
SAW ATTACHMENT

1





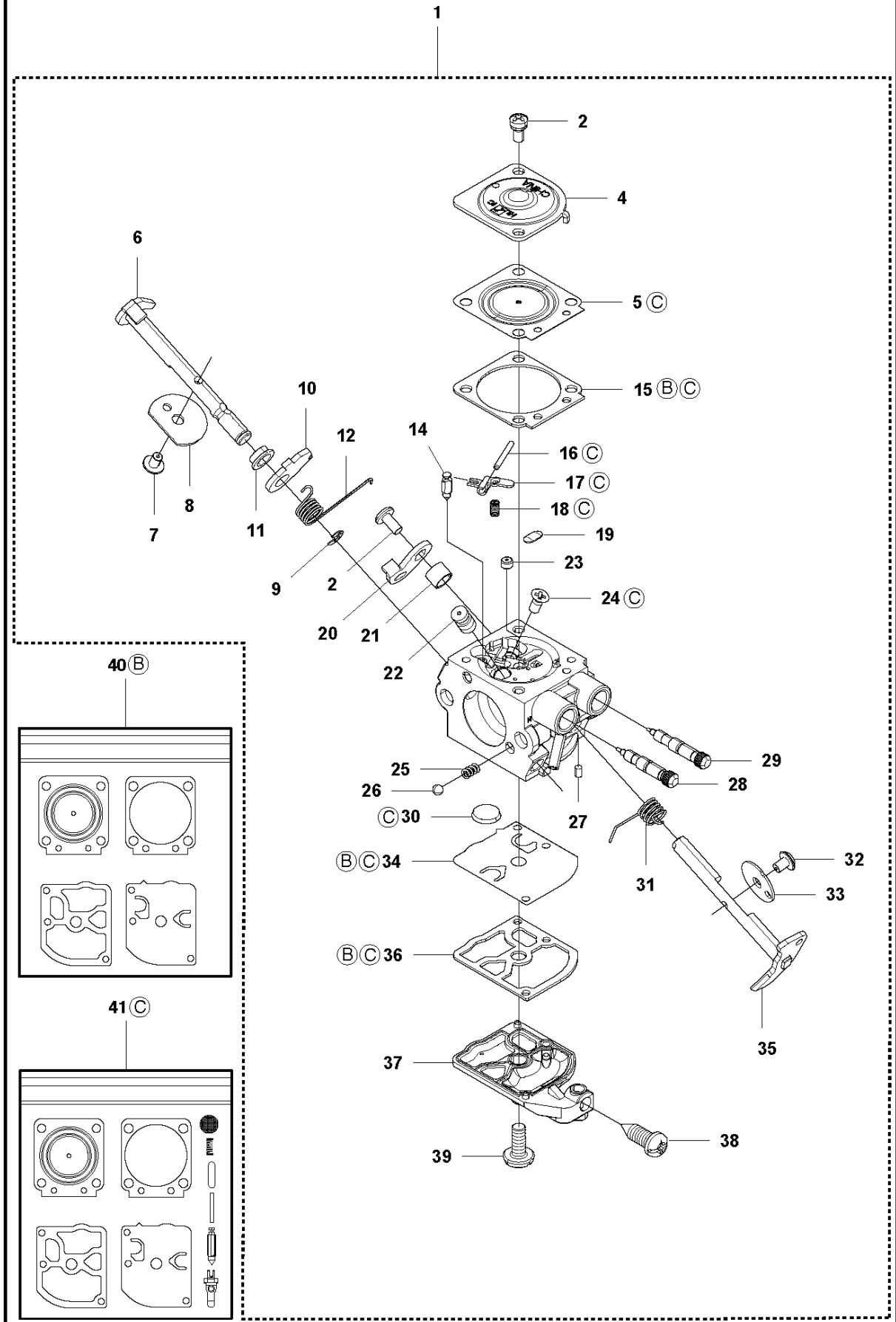
## ATTACHMENTS

327 P4

Ref	Part No	Description	Remark	QTY KIT
1	537 18 33-11	ATTACHMENT		1
2	537 35 36-01	LOOP		1
3	537 13 04-02	KNOB		1
4	537 35 01-01	LOOP		1
5	725 23 31-51	SCREW		1
6	537 21 62-01	HARNESS		1
7	537 38 89-01	LABEL		1

CARBURETOR (only option for US)

Hualong HQ-2

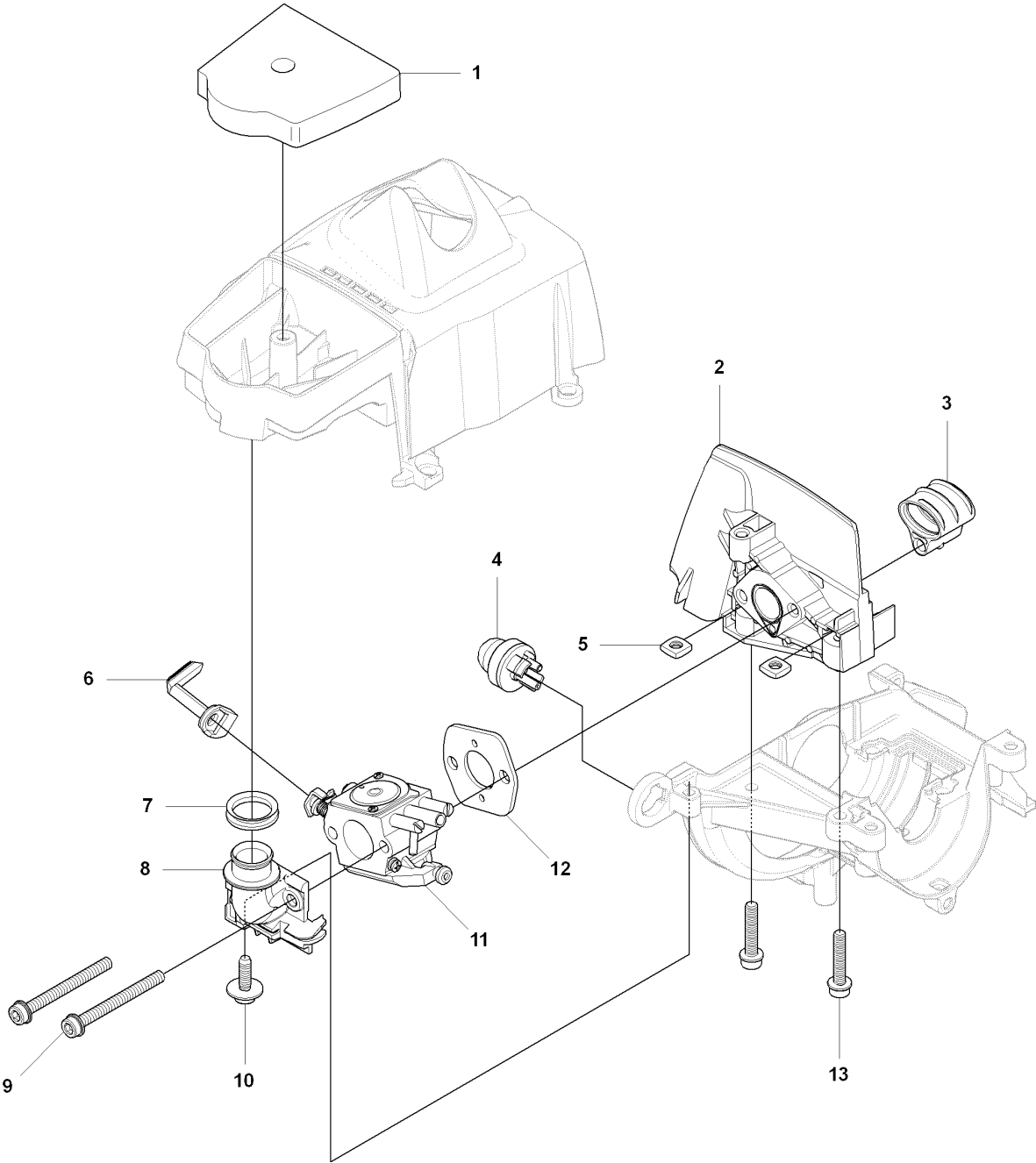


## CARBURETOR

327 P4

Ref	Part No	Description	Remark	QTY	KIT
1	576 01 98-01	CARBURETTOR	Hualong HQ-2, only option for US	1	
2	576 02 42-01	SCREW		2	1
4	576 02 36-01	COVER		1	1
5	576 02 24-01	DIAPHRAGM ASSY		1	1
6	576 02 30-01	SHAFT ASSY		1	1
7	576 02 41-01	SCREW		1	1
8	576 02 32-01	CHOKE		1	1
9	576 02 48-01	E-CLIP		1	1
10	576 02 31-01	LEVER		1	1
11	576 02 35-01	BUSHING		1	1
12	576 02 33-01	SPRING		1	1
14	576 02 01-01	VALVE		1	1
15	576 02 37-01	GASKET		1	1
16	576 02 03-01	PIN		1	1
17	576 02 04-01	LEVER		1	1
18	576 02 05-01	SPRING		1	1
19	576 02 06-01	PLUG		1	1
20	576 02 28-01	LEVER		1	1
21	576 02 29-01	BUSHING		1	1
22	576 02 07-01	MAIN NOZZLE		1	1
23	576 02 08-01	CHECK VALVE		1	1
24	576 02 43-01	SCREW		1	1
25	576 02 34-01	SPRING		1	1
26	576 02 47-01	BALL		1	1
27	576 02 23-01	BAR		1	1
28	576 02 10-01	NEEDLE		1	1
29	576 02 11-01	NEEDLE		1	1
30	576 02 15-01	SCREEN		1	1
31	576 02 27-01	SPRING		1	1
32	576 02 40-01	SCREW		1	1
33	576 02 26-01	THROTTLE		1	1
34	576 02 39-01	DIAPHRAGM PUMP		1	1
35	576 02 25-01	SHAFT ASSY		1	1
36	576 02 38-01	GASKET		1	1
37	576 02 20-01	COVER		1	1
38	576 02 22-01	SCREW		1	1
39	576 02 44-01	SCREW		1	1
40	581 74 35-01	GASKET KIT		1	
41	581 74 37-01	REPAIR KIT		1	

**G** 327P4, 327P5x  
INTAKE

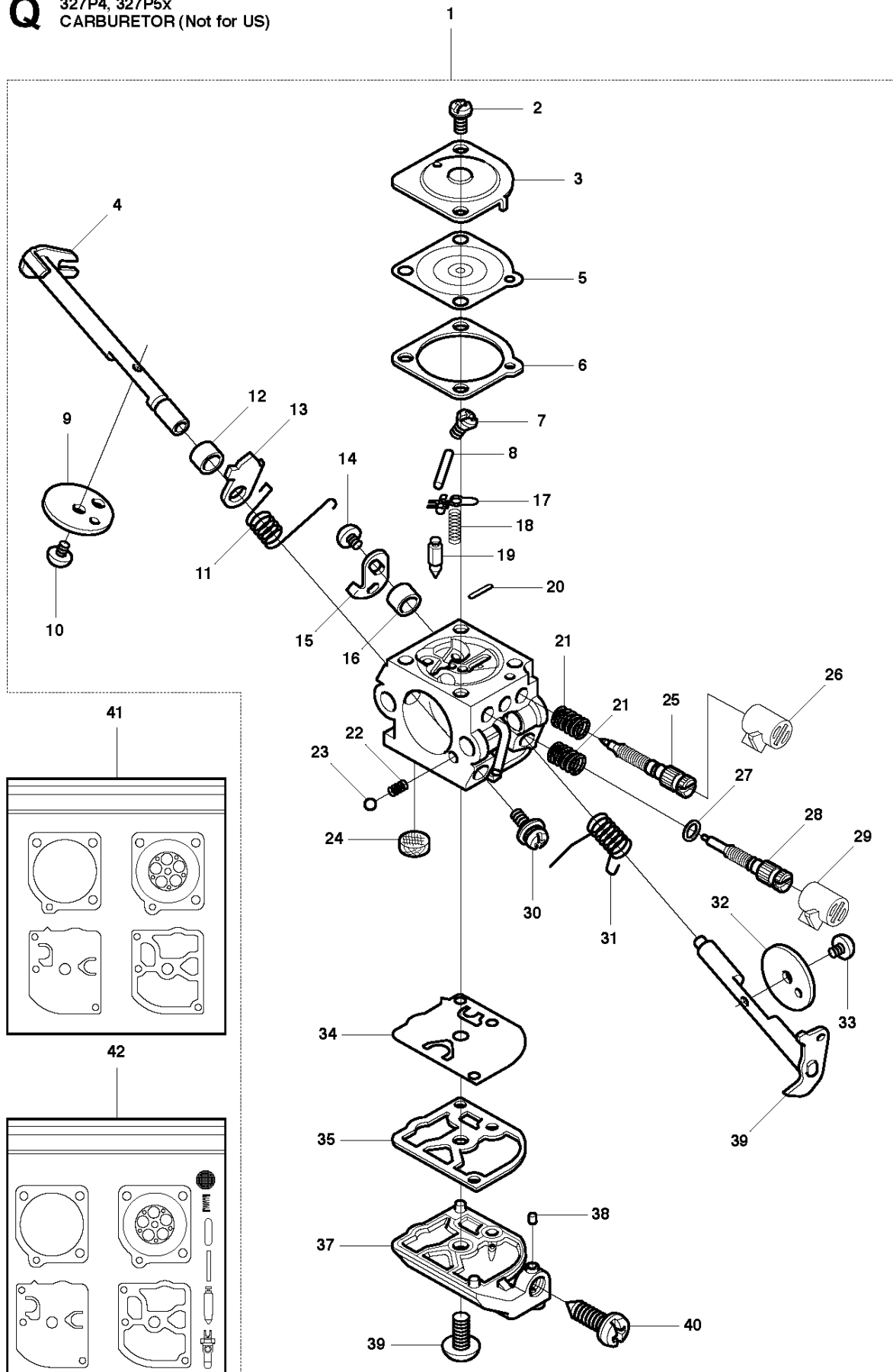


## CARBURETOR &amp; AIR FILTER

327 P4

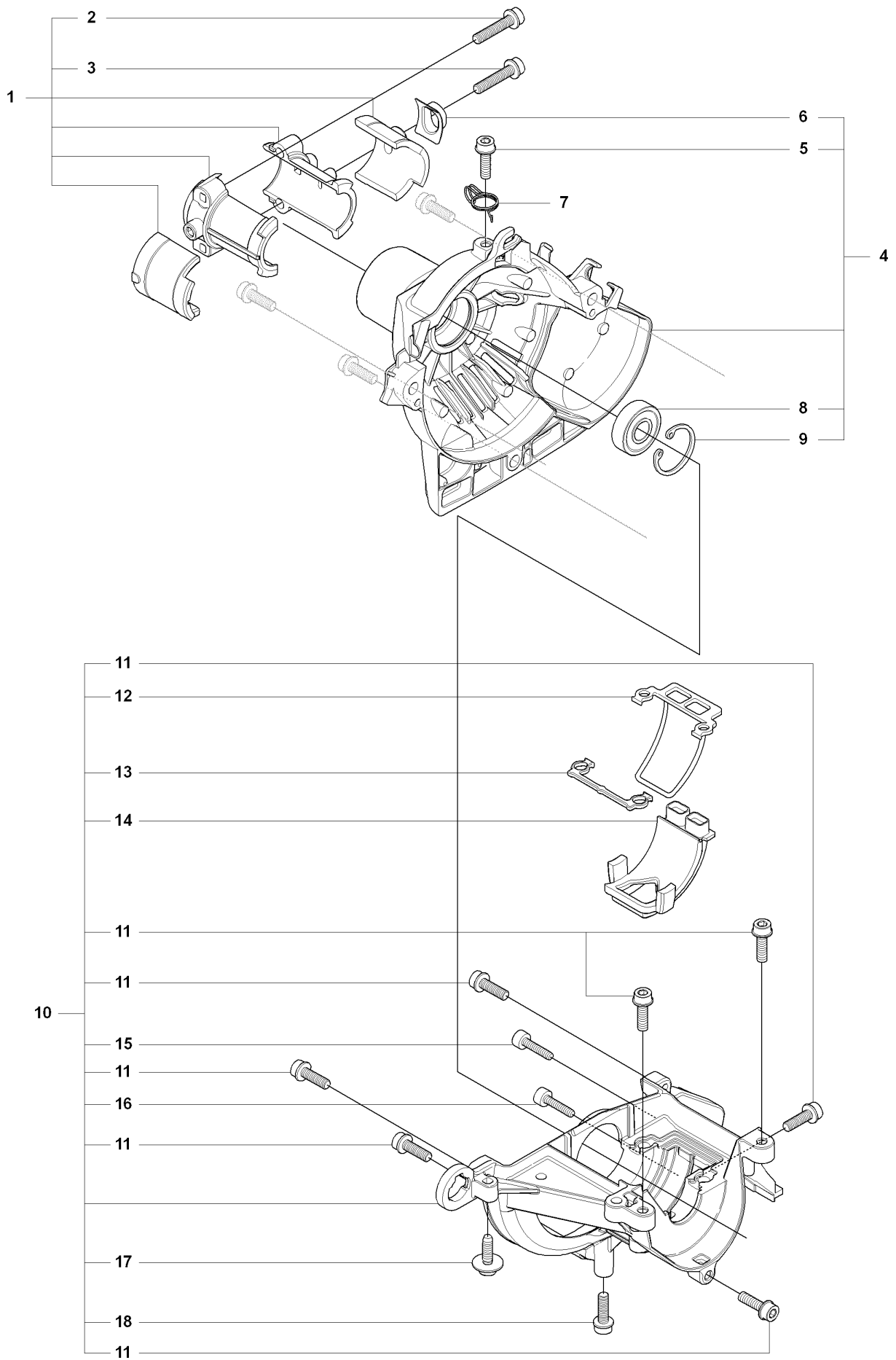
Ref	Part No	Description	Remark	QTY KIT
1	537 14 31-01	AIR FILTER ASSY		1
2	503 91 09-01	INSULATION WALL		1
3	503 94 26-01	INLET PIPE		1
4	503 93 66-01	PURGE		1
5	503 22 65-04	SQUARE NUT		2
6	503 96 25-01	CHOKE CONTROL		1
7	740 68 11-21	V-RING		1
8	502 49 90-01	BRACKET		1
9	503 21 75-50	SCREW IHSCFT		2
10	503 21 77-16	SCREW IHSCFT		1
11	503 28 34-01	CARBURETTOR	Zama C1Q-EL24	1
11	576 01 98-01	CARBURETTOR	Hualong HQ-2, only option for US	1
12	503 49 71-01	GASKET		1
13	503 20 03-25	SCREW IHSCFM		2

**Q** 327P4, 327P5x  
CARBURETOR (Not for US)



Ref	Part No	Description	Remark	QTY KIT
1	503 28 34-01	CARBURETTOR	Zama C1Q-EL24	1
2	503 48 05-01	SCREW		2
3	503 97 43-01	COVER		1
4	537 37 03-01	VALVE		1
5	537 04 89-01	DIAPHRAGM		1
6	537 02 04-01	GASKET		1
7	503 48 01-01	SCREW		1
8	503 48 00-01	PIN RETAINING SCREW		1
9	537 37 03-01	VALVE		1
10	503 48 18-01	SCREW		1
11	537 02 10-01	SPRING		1
12	503 48 19-01	COLLAR		1
13	537 04 90-01	LEVER		1
14	503 47 90-01	SCREW		1
15	537 01 98-01	LEVER		1
16	503 47 89-01	COLLAR		1
17	503 66 59-01	LEVER		1
18	537 02 03-01	SPRING		1
19	503 47 97-01	VALVE		1
20	537 02 08-01	PLUG		1
21	503 48 08-01	SPRING		1
22	537 01 26-01	SPRING		1
23	537 01 25-01	BALL		1
24	503 53 57-01	STRAINER		1
25	537 12 78-01	SCREW		1
26	537 02 16-01	LIMITER CAP		1
27	503 97 40-01	WASHER		1
28	537 02 06-01	SCREW		1
29	537 02 16-01	LIMITER CAP		1
30	503 75 53-01	SCREW		1
31	537 01 97-01	SPRING		1
32	537 01 99-01	VALVE		1
33	503 47 92-01	SCREW		1
34	537 02 00-01	DIAPHRAGM PUMP		1
35	537 02 01-01	GASKET		1
36	537 01 96-01	SHAFT ASSY		1
37	537 02 02-01	COVER		1
38	503 48 11-01	PIECE		1
39	503 47 96-01	SCREW		1
40	537 02 07-01	SCREW		1
41	531 00 45-52	GASKET KIT		1
42	531 00 45-53	GASKET KIT		1

**N** 327P4, 327P5x  
CLUTCH COVER & CRANK CASE



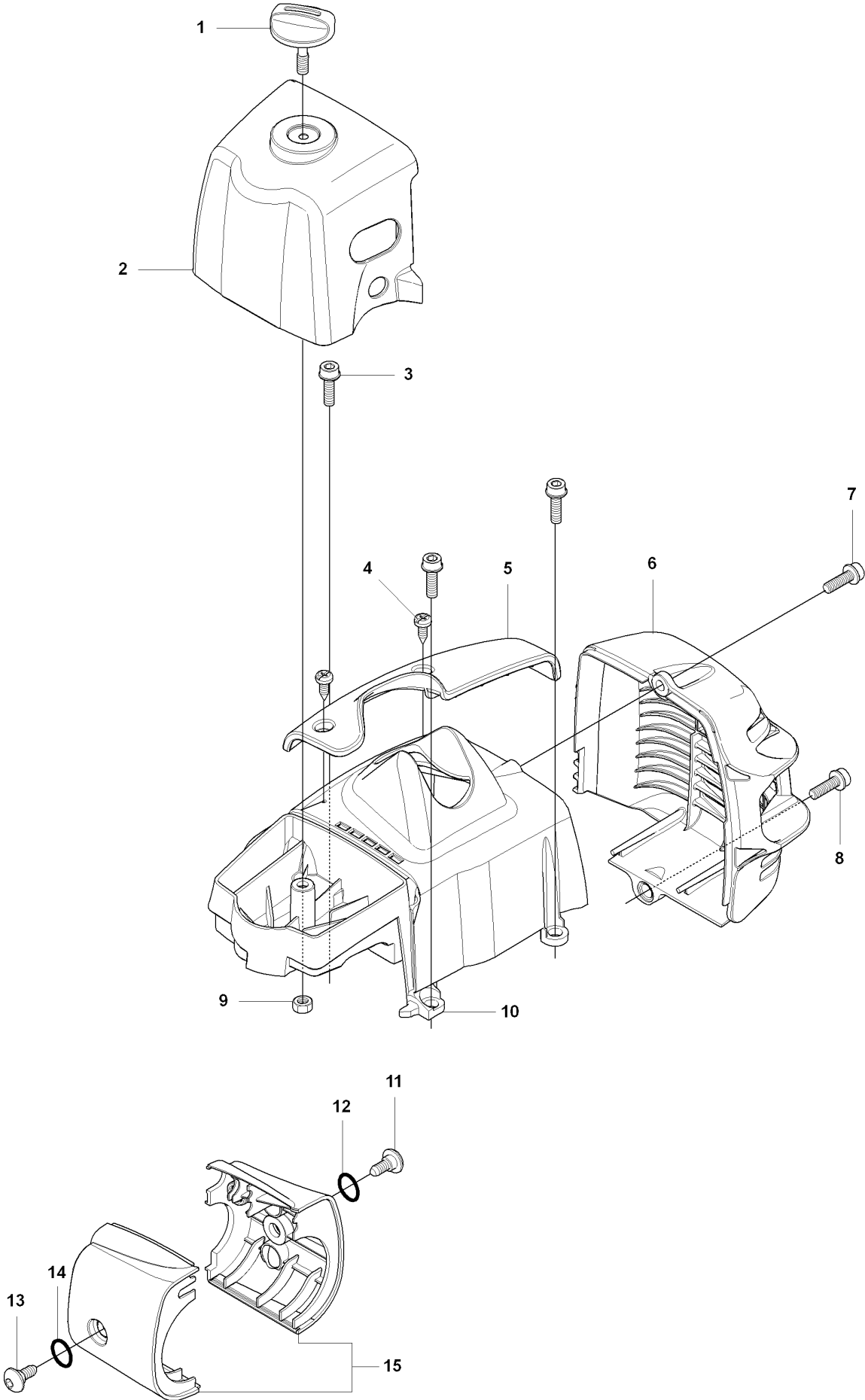


## CLUTCH COVER

327 P4

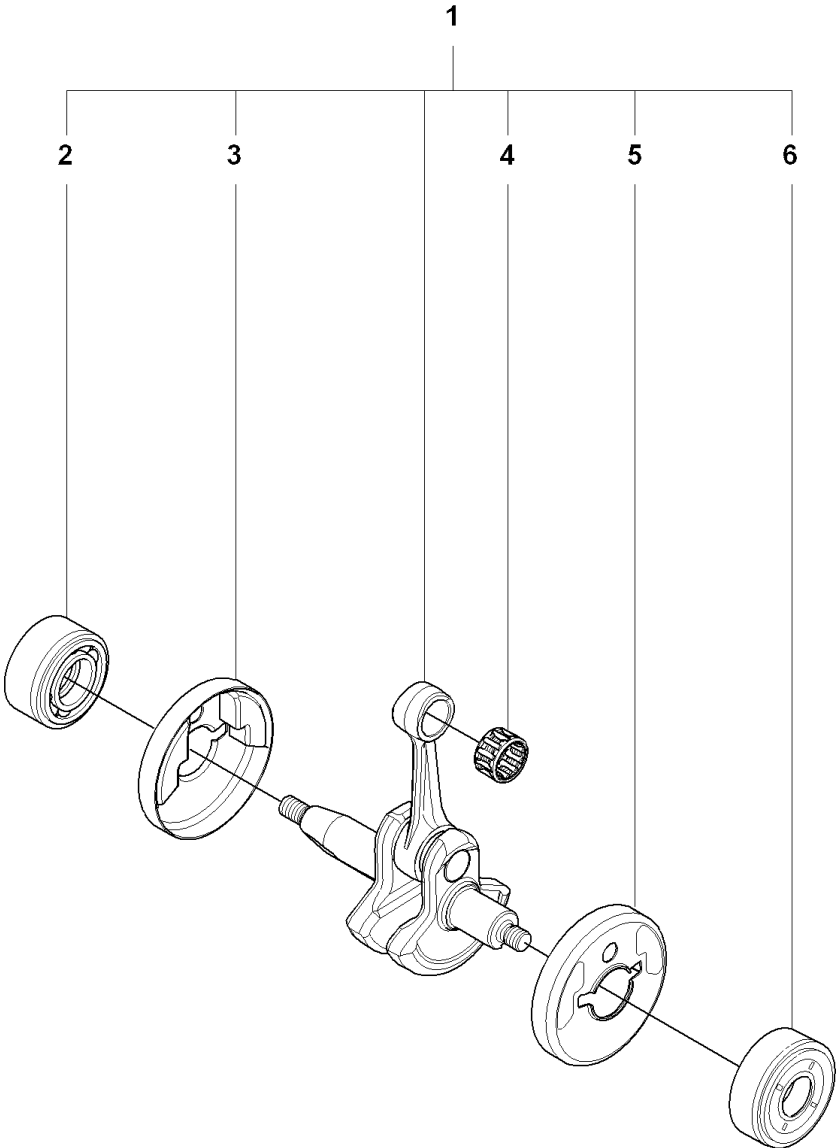
Ref	Part No	Description	Remark	QTY KIT
1	537 30 96-01	COMPRESSION SLEEVE		1
2	503 21 68-25	SCREW IHSCFT		1
3	503 21 68-25	SCREW IHSCFT		1
4	537 04 12-09	CLUTCH COVER		1
5	503 20 03-16	SCREW IHSCFM	M5x16	1
6	537 42 50-01	PROTECTIVE PLATE		1
7	537 07 36-01	SPRING		1
8	503 25 05-01	BALL BEARING		1
9	537 33 67-01	CIRCLIP		1
10	537 08 52-02	CRANKCASE		1
11	503 20 03-16	SCREW IHSCFM		1
12	537 06 69-01	GASKET CRANKCASE		1
13	537 08 85-01	GASKET		6
14	537 06 68-01	INSERT CRANKCASE		1
15	503 21 66-18	SCREW IHSCFT		1
16	503 21 66-18	SCREW IHSCFT		1
17	503 21 77-16	SCREW IHSCFT		1
18	503 20 14-12	SCREW IHSCFMO	M5x12	1

**F** 327P4, 327P5x  
COVERS



Ref	Part No	Description	Remark	QTY KIT
1	537 21 32-10	KNOB		1
2	502 48 13-01	FILTER COVER		1
3	503 20 03-16	SCREW IHSCFM	M5x16	4
4	503 21 35-12	SCREW CCRPANT		2
5	502 48 16-01	ARM PROTECTION		1
6	544 84 81-01	HEAT PROTECTOR		1
7	503 21 68-20	SCREW IHSCFT		1
8	503 20 03-16	SCREW IHSCFM		1
9	503 22 24-01	LOCK NUT		1
10	502 48 14-01	CYLINDER COVER		1
11	503 96 13-01	SCREW		1
12	740 42 06-00	O-RING		1
13	503 96 13-01	SCREW		1
14	740 42 06-00	O-RING		1
15	502 48 15-01	COVER		1

P

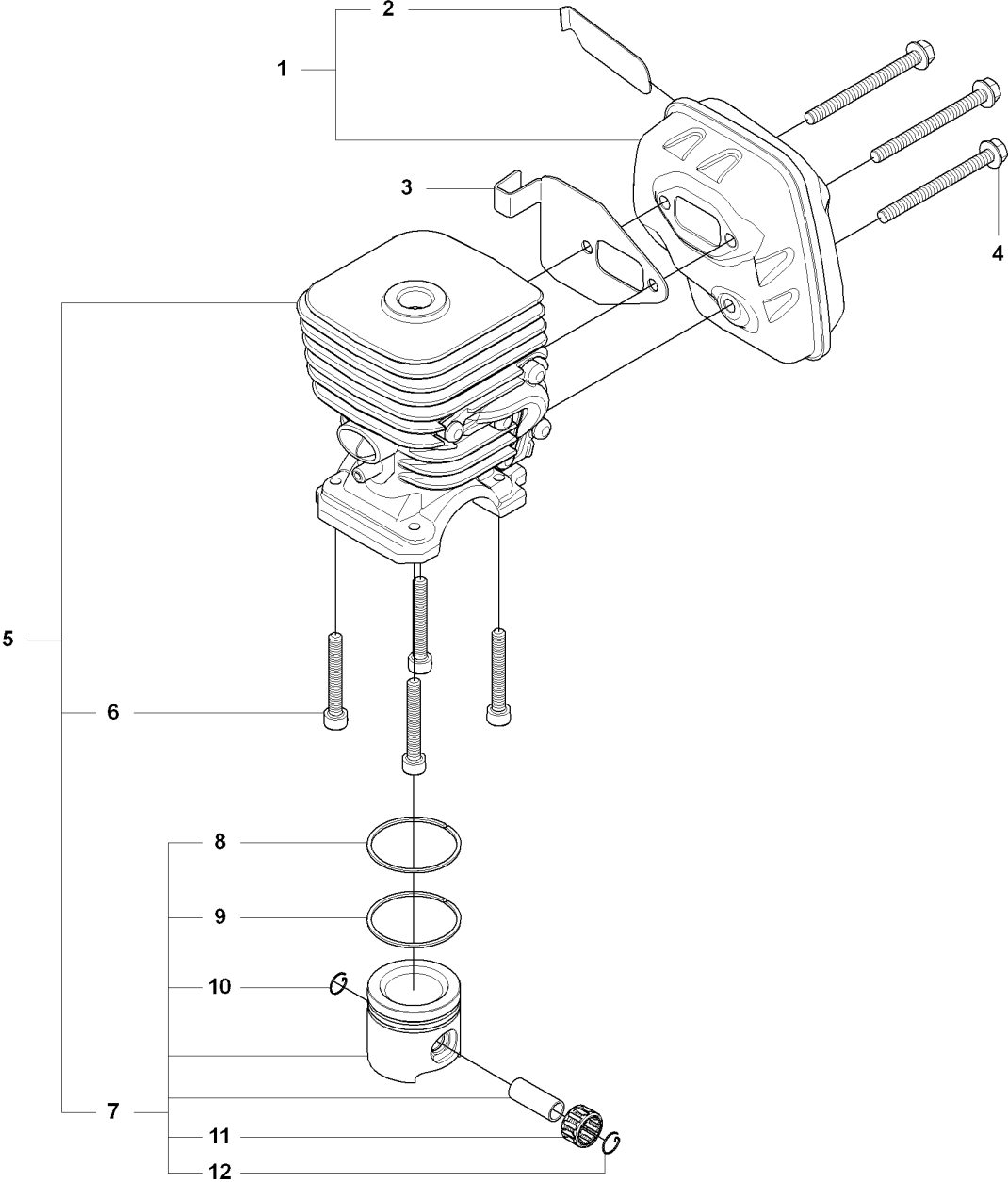


CRANKSHAFT

327 P4

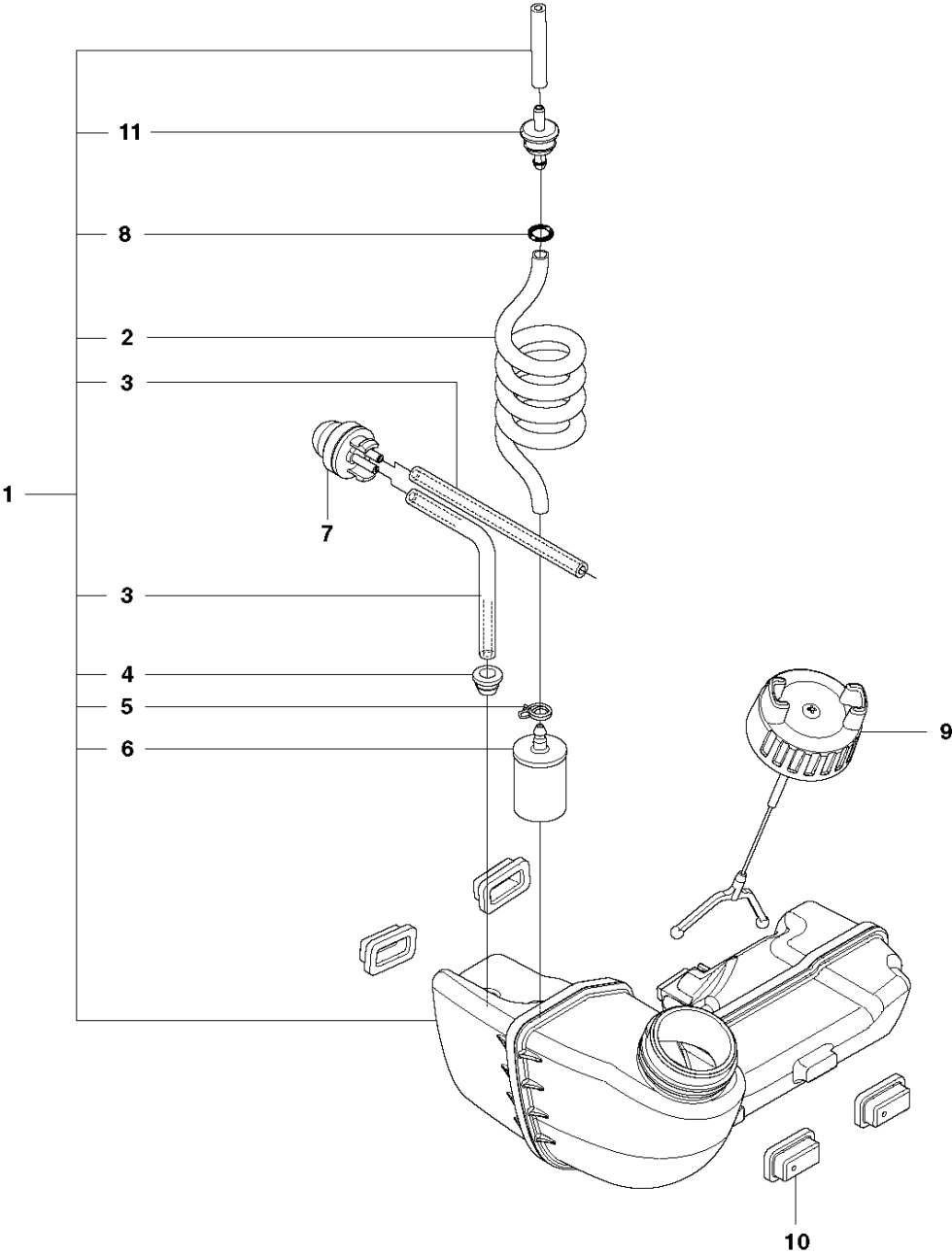
Ref	Part No	Description	Remark	QTY KIT
1	503 85 24-74	CRANKSHAFT ASSY		1
2	503 94 02-03	BEARING CAGE		1
3	503 94 05-01	CUP		1
4	503 71 22-01	BEARING		1
5	503 94 05-01	CUP		1
6	503 94 02-03	BEARING CAGE		1

**M** 327P4, 327P5x  
CYLINDER PISTON & MUFFLER



Ref	Part No	Description	Remark	QTY KIT
1	537 22 17-04	MUFFLER ASSY	Cat.	1
2	537 22 18-01	SPARK ARRESTER SCREEN		1
3	537 01 41-01	GASKET		1
4	502 07 81-01	SCREW EHHFM		3
5	537 08 51-03	CYLINDER	Ø=34mm	1
6	503 20 07-35	SCREW IHSCFM		4
7	537 40 59-02	PISTON		1
8	537 40 62-01	PISTON RING		1
9	537 40 62-01	PISTON RING		1
10	737 44 08-00	CIRCLIP		1
11	503 71 22-01	BEARING		1
12	737 44 08-00	CIRCLIP		1

**K** 327P4, 327P5x  
FUEL TANK



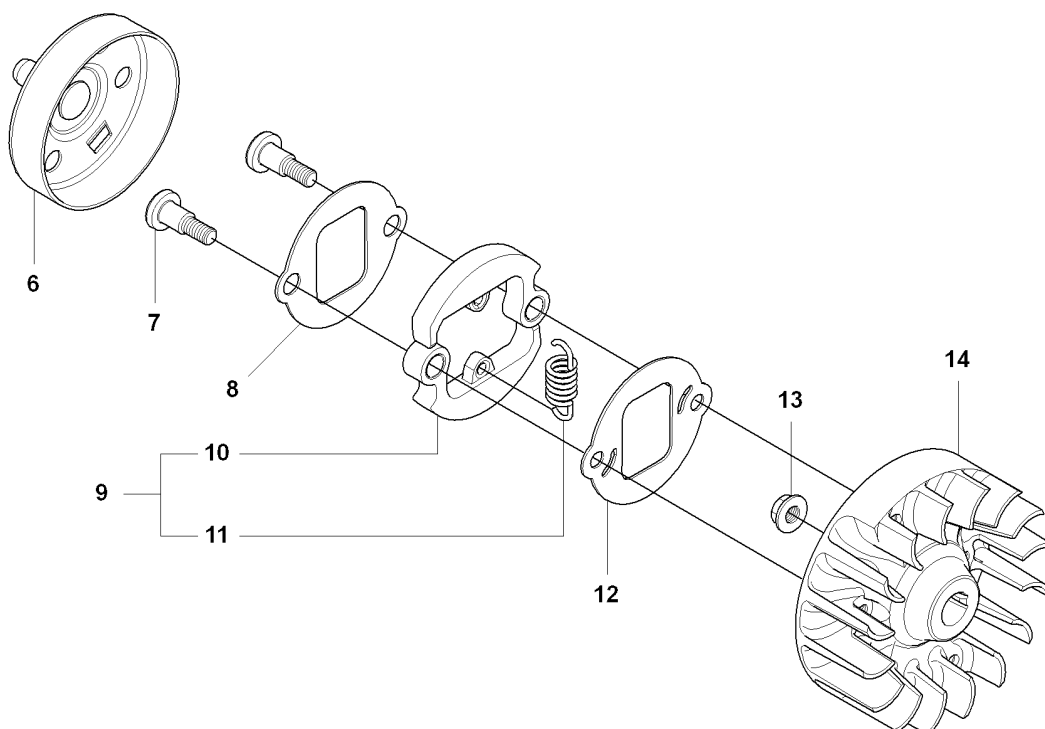
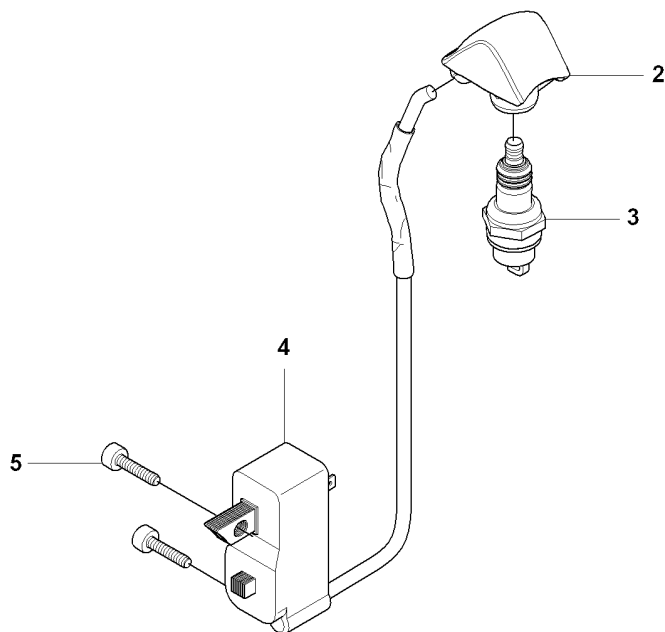
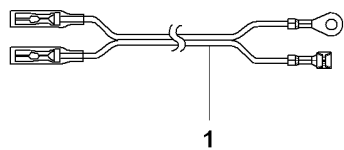


## FUEL TANK

327 P4

Ref	Part No	Description	Remark	QTY KIT
1	584 25 80-01	FUEL TANK ASSY		1
2	581 75 62-01	FUEL HOSE		1
3	537 04 24-01	FUEL HOSE		1
4	503 73 58-01	BUSHING		1
5	504 02 24-01	HOSE CLAMP		1
6	503 44 32-01	FUEL FILTER		1
7	503 93 66-01	PURGE		2
8	537 18 49-01	O-RING		1
9	544 88 97-02	TANK CAP		1
10	503 91 10-01	SUSPENSION		4
11	578 29 56-01	HOSE NIPPLE		1

L



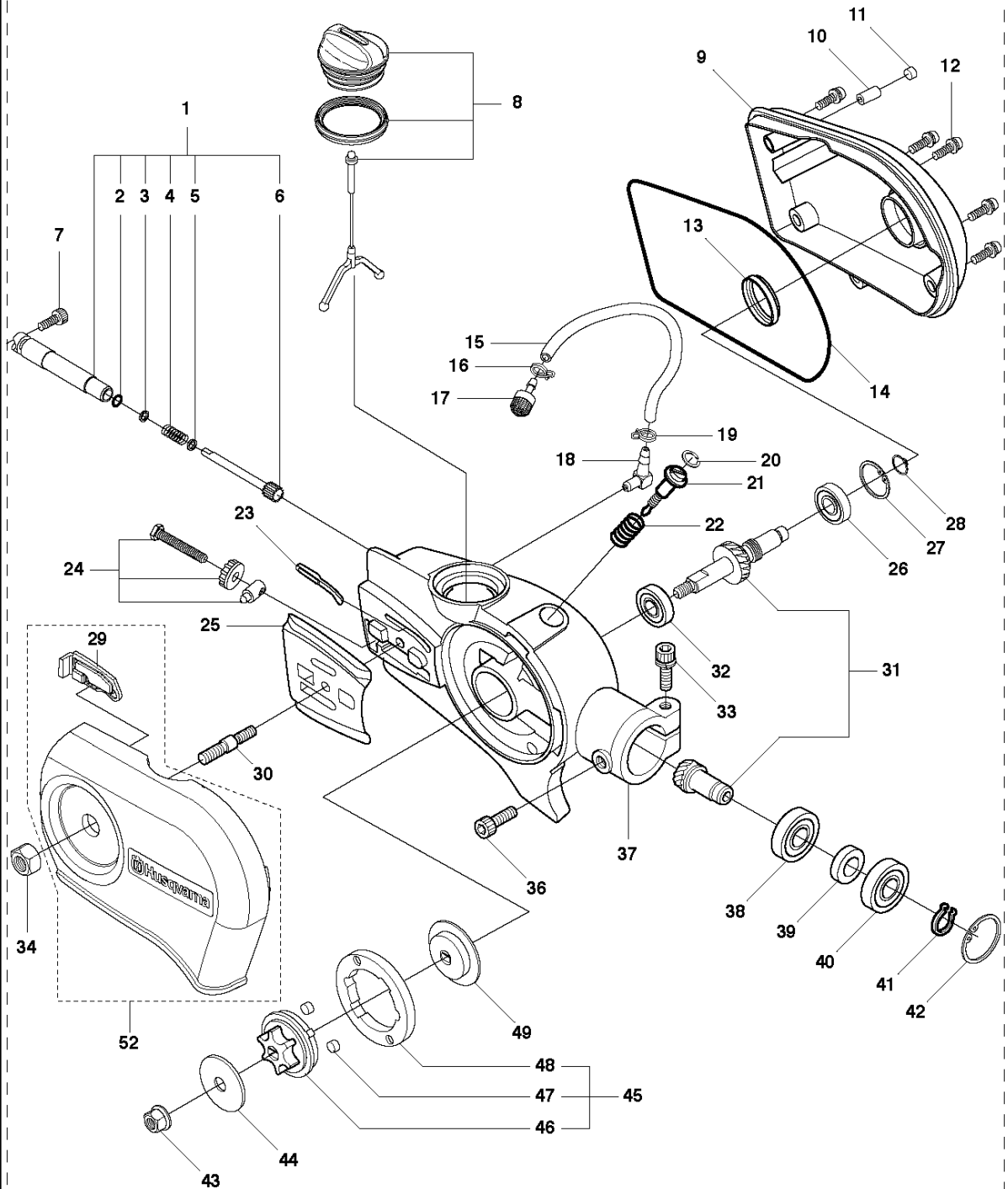
## IGNITION SYSTEM

327 P4

Ref	Part No	Description	Remark	QTY KIT
1	502 49 36-01	SHORT CIRCUIT CABLE		1
2	537 43 43-01	SPARK PLUG CAP		1
3	503 23 51-09	SPARK PLUG		1
4	502 49 37-01	IGNITION MODULE		1
5	503 21 66-18	SCREW IHCT		2
6	537 23 75-01	CLUTCH DRUM ASSY		1
7	503 84 29-02	SCREW		2
8	537 04 67-02	WASHER		1
9	537 03 22-01	CLUTCH ASSY		1
10	503 84 28-01	CLUTCH SHOE		2
11	503 81 60-01	CLUTCH SPRING		1
12	537 04 68-02	WASHER		1
13	731 71 16-51	HEXAGON NUT FLANGE		1
14	537 24 96-02	FLYWHEEL		1

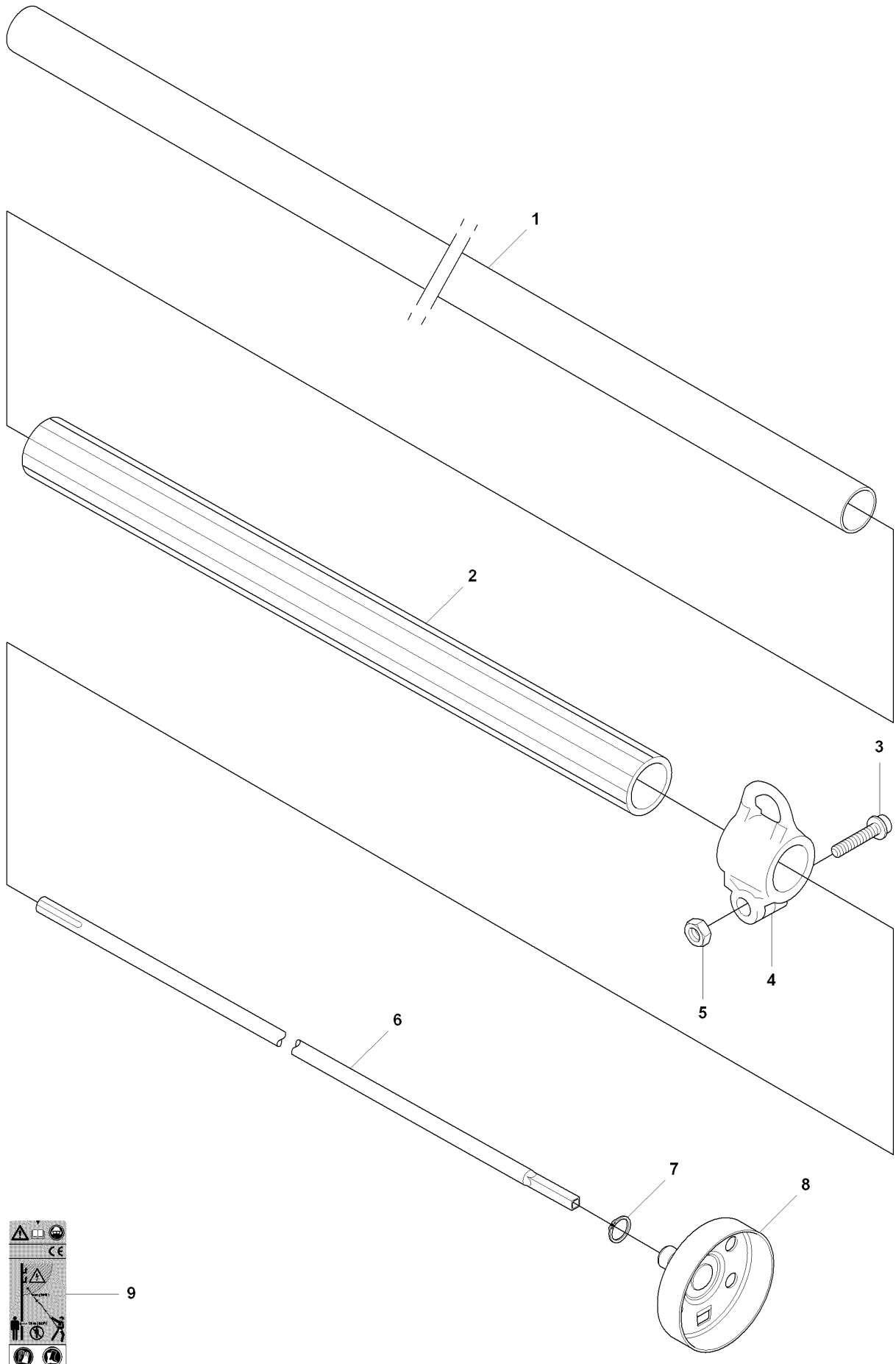
**A** 327P4, 327P5x  
SAW HEAD

53



Ref	Part No	Description	Remark	QTY	KIT
1	537 29 92-01	OIL PUMP ASSY		1	53
2	740 42 03-00	O-RING		1	53
3	503 23 00-16	WASHER		1	53
4	503 18 49-01	SPRING		1	53
5	503 23 00-16	WASHER		1	53
6	503 80 83-02	PUMP PISTON		1	53
7	725 53 27-55	SCREW IHSCM		1	53
8	537 28 15-02	TANK CAP ASSY		1	53
9	537 22 75-01	HUB CAP		1	53
10	537 04 03-01	VALVE		1	53
11	503 98 13-01	PLUG		1	53
12	725 53 29-55	SCREW IHSCM		5	53
13	537 33 01-01	SEALING		1	53
14	537 29 10-01	O-RING		1	53
15	537 29 11-01	HOSE		1	53
16	537 37 15-01	HOSE CLAMP		1	53
17	504 71 00-03	OIL PLUMMET		1	53
18	504 34 00-04	FITTING		1	53
19	537 37 15-01	HOSE CLAMP		1	53
20	537 29 09-01	CIRCLIP		1	53
21	537 05 68-01	ADJUSTER		1	53
22	503 97 82-01	SPRING		1	53
23	537 33 17-01	OIL DUCT		1	53
24	537 22 82-01	CHAIN TENSIONER		1	53
25	537 19 42-01	CHAIN GUIDE PLATE		1	53
26	738 21 00-04	BALL BEARING		1	53
27	735 31 27-10	CIRCLIP		1	53
28	735 31 12-00	CIRCLIP		1	53
29	575 55 37-01	SEALING PLATE		1	52, 53
30	537 19 44-01	BAR BOLT	M6-M8	1	53
30	576 29 30-01	BAR BOLT	M7-M8	1	53
31	537 29 90-01	GEAR WHEEL KIT		1	53
32	738 21 99-04	BALL BEARING		1	53
33	725 53 33-55	SCREW IHSCM		1	53
34	731 23 18-01	HEXAGON NUT		1	53
36	725 53 27-55	SCREW IHSCM		1	53
37	537 22 74-01	HOUSING		1	53
38	738 21 99-04	BALL BEARING		1	53
39	537 24 77-01	SPACER		1	53
40	738 21 99-04	BALL BEARING		1	53
41	735 31 11-00	CIRCLIP		1	53
42	735 31 25-10	CIRCLIP		1	53
43	731 71 16-51	HEXAGON NUT FLANGE		1	53
44	503 23 00-68	WASHER		1	53
45	537 27 18-01	FLYWHEEL		1	53
46	537 27 15-01	HUB		1	53
47	537 27 17-01	RUBBER BUSHING		2	53
48	537 27 14-01	RING		1	53
49	537 27 16-01	HUB CAP		1	53
50	537 23 00-01	LABEL		1	
52	575 54 18-01	CHAIN GUARD		1	53
53	537 24 71-02	CUTTING HEAD ASSY		1	

**B** 327P4  
SHAFT

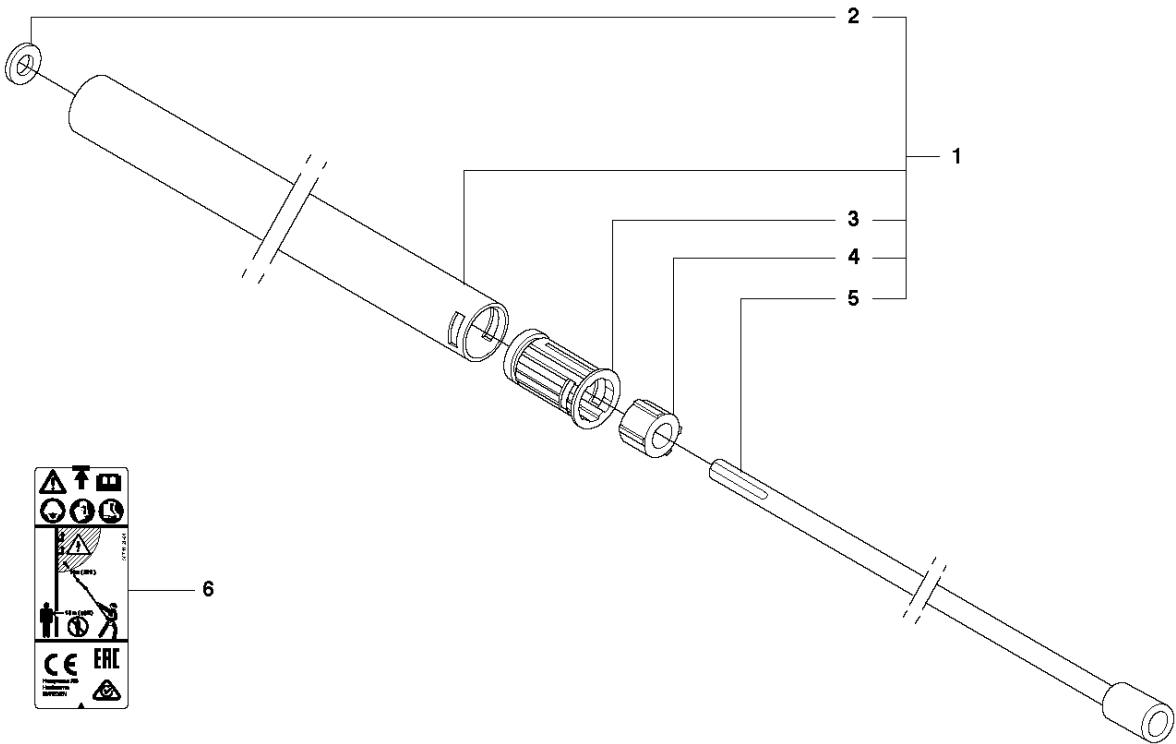


## SHAFT

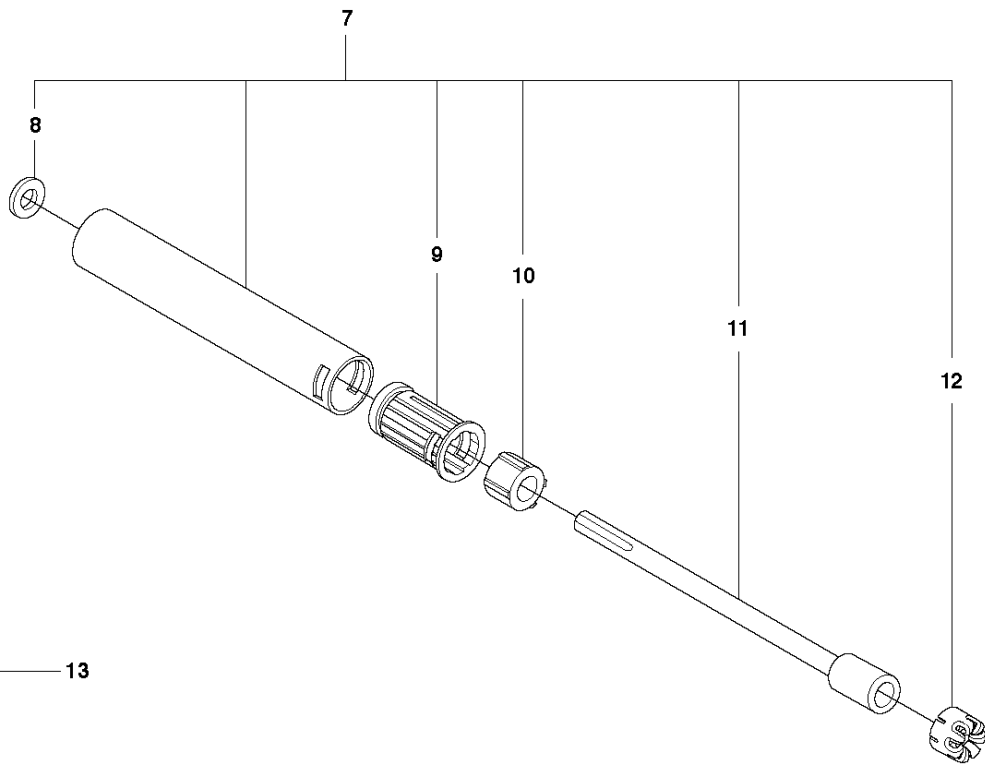
327 P4

Ref	Part No	Description	Remark	QTY KIT
1	537 07 85-01	TUBE	Ø=24 mm L=1750 mm	1
2	537 08 55-01	HANDLE		1
3	503 20 07-16	SCREW IHSCFM		1
4	503 94 10-01	HOOK		1
5	731 23 14-01	HEXAGON NUT		1
6	537 23 48-03	DRIVE SHAFT	Ø=7 mm L=1790 mm	1
7	735 31 12-00	CIRCLIP		1
8	537 23 75-01	CLUTCH DRUM ASSY		1
9	585 94 40-01	DECAL		1

**D** 327P4, 327P5x  
SHAFT



SHAFT



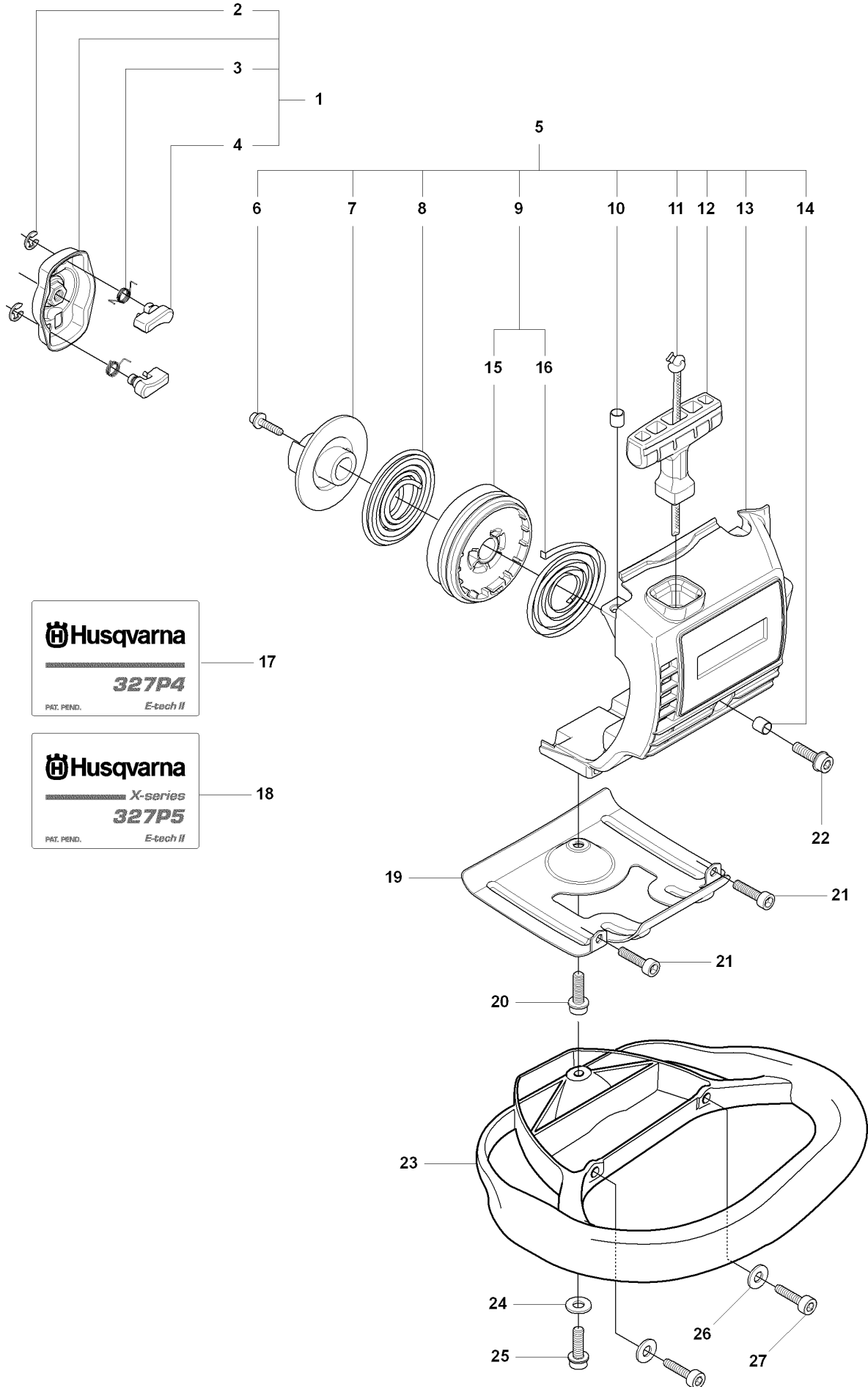


## SHAFT

327 P4

Ref	Part No	Description	Remark	QTY	KIT
1	537 17 48-01	TUBE		1	
2	735 58 08-10	LOCKWASHER		1	
3	587 41 46-01	PLUG		1	
4	503 78 52-02	SUPPORTING BEARING		1	
5	537 18 09-01	DRIVE SHAFT	Ø=7 mm L=1114 mm	1	
6	585 94 40-01	DECAL		1	
7	588 62 94-02	TUBE DRIVESHAFT ASSY	Ø=24 mm L=110 mm	1	
8	735 58 55-01	WASHER		1	7
9	587 41 46-01	PLUG		1	7
10	503 78 52-02	SUPPORTING BEARING		1	7
11	587 41 19-01	DRIVE SHAFT	Ø=7 mm L=124 mm	1	7
12	583 93 83-01	CLIP		1	7
13	585 94 40-01	DECAL		1	

**H** 327P4, 327P5x  
STARTER (Easy start)

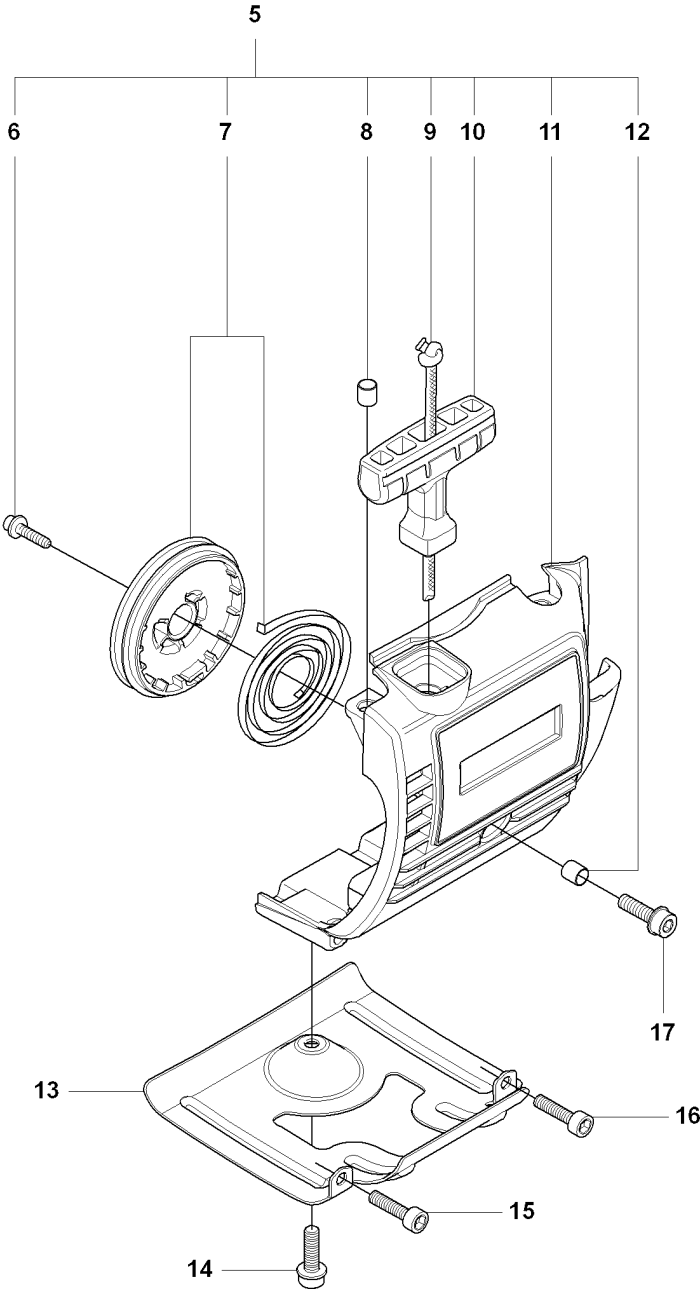
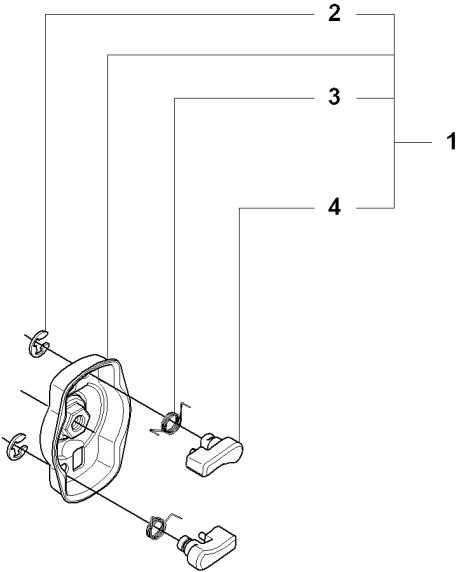


## STARTER

327 P4

Ref	Part No	Description	Remark	QTY KIT
1	503 87 33-05	BRIDGE		1
2	735 31 08-20	E-CLIP		2
3	503 87 36-01	SPRING		2
4	503 87 35-02	STARTER PAWL		2
5	544 07 11-02	STARTER ASSY		1
6	503 21 77-25	SCREW IH SCT		1
7	544 03 87-02	DRIVER		1
8	544 03 88-02	SPRING		1
9	544 16 65-01	STARTER PULLEY ASSY		1
10	537 37 93-02	SPACING SLEEVE		2
11	503 85 89-01	STARTER ROPE		1
12	537 00 84-01	STARTER HANDLE		1
13	537 41 16-01	STARTER HOUSING		1
14	537 37 93-02	SPACING SLEEVE		1
15	544 03 86-01	STARTER PULLEY		1
16	503 85 90-01	RECOIL SPRING		1
17	537 35 34-61	LABEL	327P4	1
18	537 35 34-62	LABEL	327P5x	1
19	537 03 41-01	PROTECTIVE PLATE		1
20	503 20 14-12	SCREW IHSCFMO	M5x12	1
21	503 21 66-18	SCREW IH SCT		2
22	503 20 03-16	SCREW IHSCFM	M5x16	1
23	537 17 45-01	HANDLE		1
24	503 23 00-42	WASHER		1
25	503 20 03-16	SCREW IHSCFM		1
26	503 23 00-42	WASHER		2
27	503 21 75-16	SCREW IHSCFT		2
28	502 08 24-01	DRIVER		1

**J** 327P4, 327P5x  
STARTER(Standard)

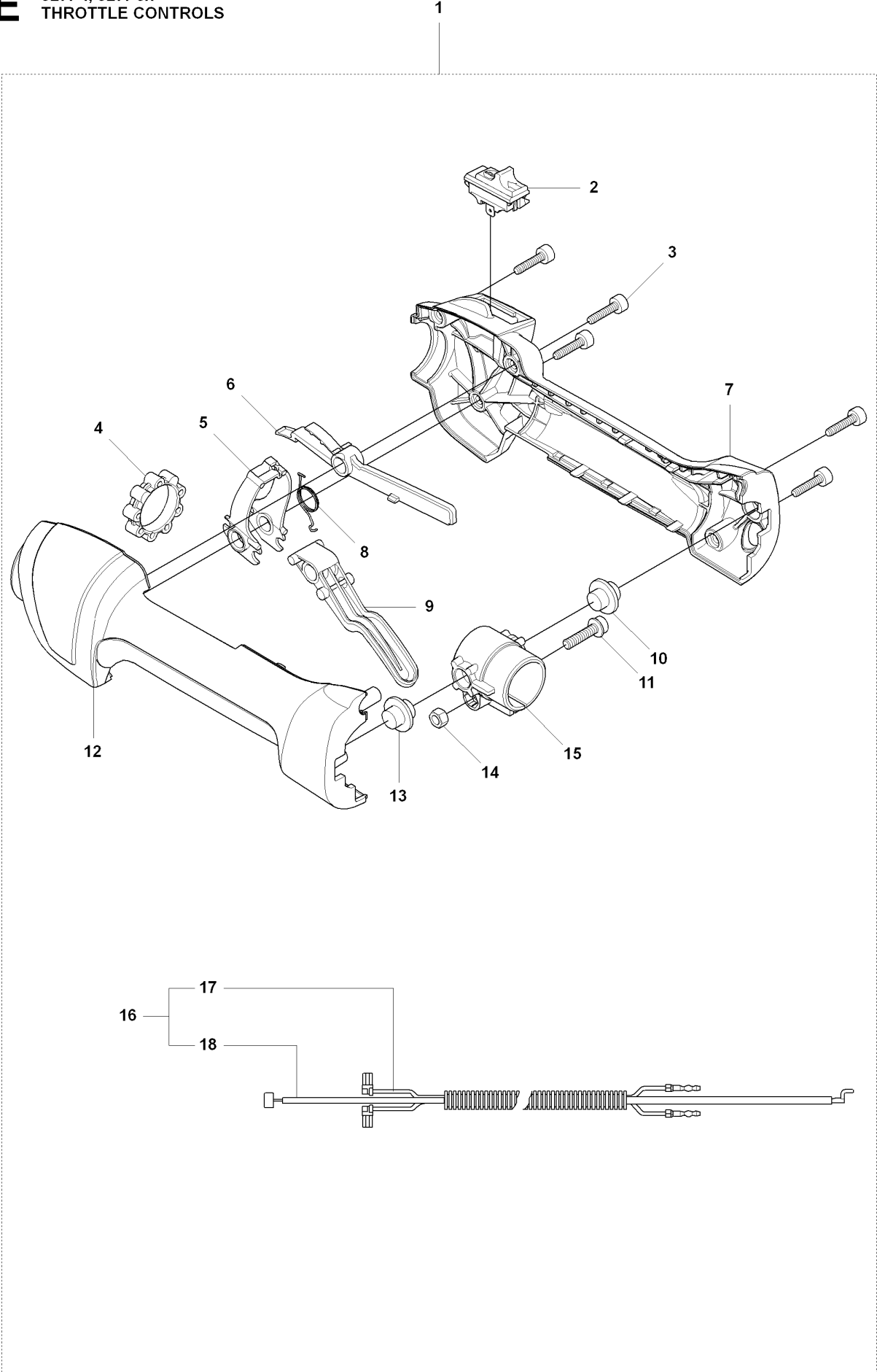


## STARTER

327 P4

Ref	Part No	Description	Remark	QTY KIT
1	503 87 33-05	BRIDGE		1
2	735 31 08-20	E-CLIP		2
3	503 87 36-01	SPRING		2
4	503 87 35-02	STARTER PAWL		2
5	503 85 28-06	STARTER ASSY		1
6	503 21 77-16	SCREW IH SCT		1
7	503 96 49-01	STARTER PULLEY		1
8	537 37 93-02	SPACING SLEEVE		2
9	503 85 89-01	STARTER ROPE		1
10	537 00 84-01	STARTER HANDLE		1
11	503 85 87-02	STARTER HOUSING		1
12	537 37 93-02	SPACING SLEEVE		1
13	537 03 41-01	PROTECTIVE PLATE		1
14	503 20 14-12	SCREW IHSCFMO	M5x12	1
15	503 21 66-18	SCREW IH SCT		1
16	503 21 66-18	SCREW IH SCT		1
17	503 20 03-16	SCREW IHSCFM	M5x16	1

**E** 327P4, 327P5x  
THROTTLE CONTROLS



## THROTTLE CONTROLS

327 P4

Ref	Part No	Description	Remark	QTY KIT
1	544 14 36-04	CONTROL		1
2	537 41 90-01	SWITCH		1
3	503 21 66-18	SCREW IH SCT		5
4	503 96 14-01	ABSORBER		1
5	503 91 81-01	THROTTLE LEVER		1
6	503 87 80-01	THROTTLE LOCKOUT		1
7	544 10 02-02	HANDLE HALF		1
8	544 10 08-01	RECOIL SPRING		1
9	503 87 79-03	THROTTLE TRIGGER		1
10	544 10 17-02	DAMPER		1
11	503 20 03-20	SCREW IH SCFM		1
12	544 10 03-02	HANDLE HALF		1
13	544 10 17-02	DAMPER		1
14	731 23 14-01	HEXAGON NUT		1
15	544 11 21-01	RETAINER		1
16	502 65 13-01	WIRING		1
17	502 53 16-01	SHORT CIRCUIT CABLE		1
18	544 17 17-03	THROTTLE WIRE ASSY		1

# Illustrated Parts List - IPL Update



Product Name(s)

**327P4**

Description of change

New tube drive shaft assy, with updated plug, drive shaft and clip, for an easier assembly (Click-on function)

Comments

Drive shaft 587 41 19-01 and plug 587 41 46-01 are backward compatible.  
NOTE: Clip 583 93 83-01 does not fit with previous plug and drive shaft.

Introduced from

<b>Serial number / Date</b>	<b>Remark</b>
2016-03	

IPL updates

<b>Page title</b>	<b>Ref. no</b>	<b>New part no</b>	<b>Name</b>	<b>Excl. part no.</b>	<b>Remark</b>
Shaft	7	588 62 94-02	Tube drive shaft assy	537 19 58-01	
Shaft	3, 9	587 41 46-01	Plug	503 98 54-01	
Shaft	11	587 41 19-01	Drive shaft	537 19 59-01	
Shaft	12	583 93 83-01	Clip		<b>New part</b>